

Number	Part Number	Name	Quantity
1	9071	SCREW M8X20	1,000
2	5041	BOLT 8X30	1,000
3	6169	SCREW HM8X16	1,000
4	7038	SCREW,DIN933 H M 8X	1,000
5	7335	WASHER	1,000
6	7341	FLAT WASHER 10,3X49	1,000
7	9009	WASHER	1,000
8	9017	NUT HM10	1,000
9	53095	AXLE	1,000
10	25014	REAR WHEEL SPACERS	1,000
11	25015	FRONT ROLLER	1,000
12	25017	REAR ROLLER	1,000
13	39084	-> 53091	1,000
14	25432	LIFTING RING	1,000
16	35085	SIDE BRUSH	1,000
17	35781	CUTTING DECK	1,000
18	35782	CUT.DECK KIT	1,000
19	35788	LEFT DECK INSELT	1,000
20	35789	RIGHT DECK INSERT	1,000
21	35888	R.ROLLER BRACKET	1,000
22	35889	L.ROLLER BRACKET	1,000
23	35892	FRONT CROSS BAR	1,000
24	37432	CUT.DEC.OUTPUT PLAT	1,000
25	52510	CUT.DECK NOZZLE	1,000
26	71032	KAWA SCREW H M10X75	1,000
27	71114	ALUMINUM NAIL RIVET	1,000
28	71343	SPRING WASHER A8	1,000
29	71361	SCREW RL X M6X16	1,000
30	28762	GASKET 10,77 X 2,6	1,000
31	39882	RIGHT LINK PLATE	1,000
32	39883	LEFT LINK PLATE	1,000
34	39907	CUTTING DECK	1,000

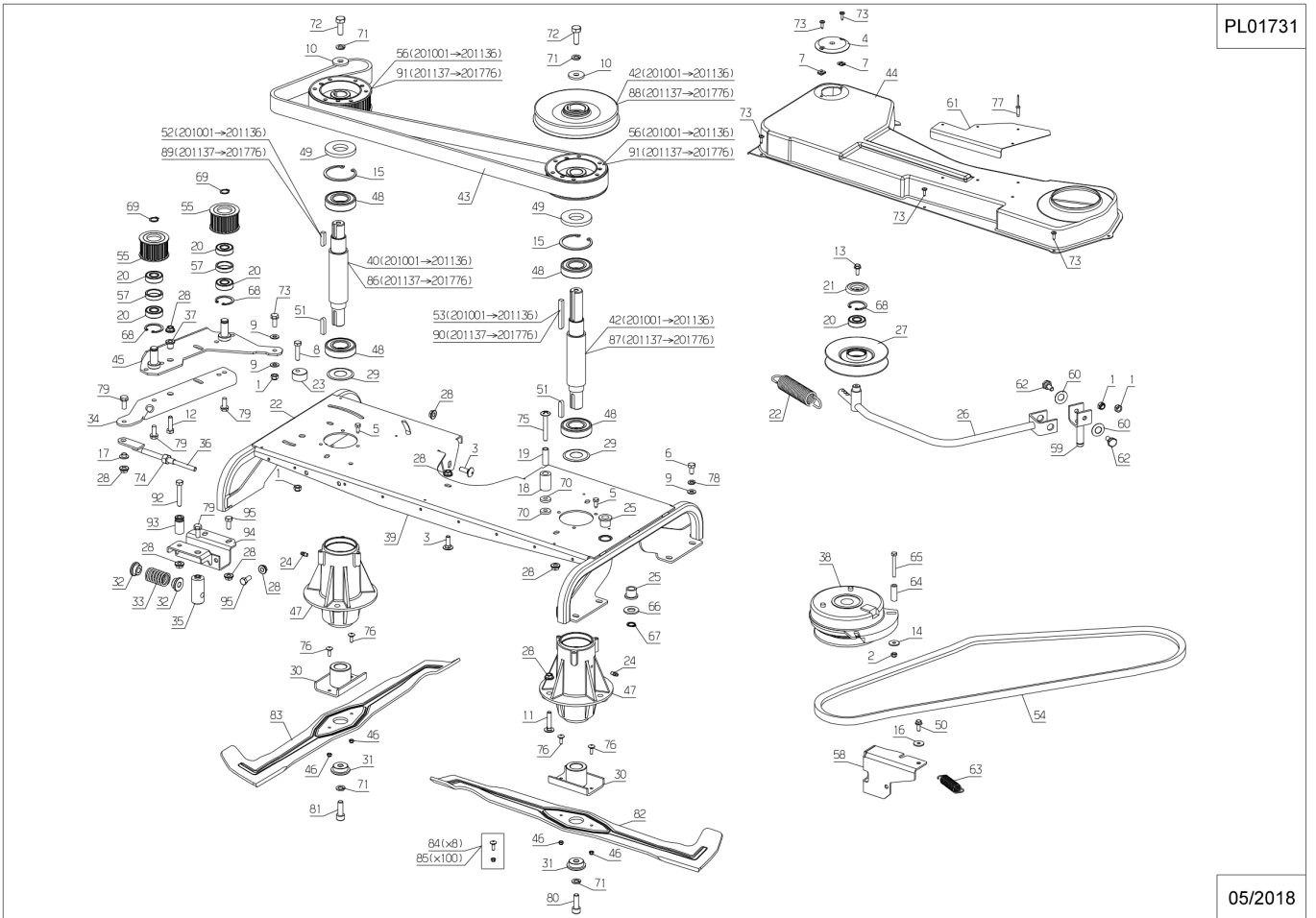


Number	Part Number	Name	Quantity
1	71205	SCREW M8	1,000
2	71201	NUT M6	1,000
3	5347	SCREW 8X25	1,000
4	5472	WHEEL CAP	1,000
5	5498	TAPTITE BOLT M6X16	1,000
6	6169	SCREW HM8X16	1,000
7	6178	CLIP NUT	1,000
8	7038	SCREW,DIN933 H M 8X	1,000
9	7335	WASHER	1,000
10	7341	FLAT WASHER 10,3X49	1,000
11	9057	SQUARE BOLT,DIN 603	1,000
12	9061	BOLT 8X30	1,000
13	20507	BOLT HM 6X20	1,000
14	21270	WASHER 6,4	1,000
15	21560	CIRCLIP 62X2 I.	1,000
16	22029	FLAT WASHER 6,5	1,000
17	24052	KNUCKLE RING	1,000
18	25102	NYLON ROLLER	1,000
19	25107	ROLLSLEEVE	1,000
20	25112	BALL BEARING,6202 S	1,000
21	25117	PLUG T. ARM	1,000
22	25124	TENSION SPRING	1,000
23	25131	BELT TIGHTENER WASH	1,000
24	25301	RH STD "HYDRAULIC"	1,000
25	25512	SELF-LUBRIC.RING C1	1,000
26	26152	TENSIONING ARM WELD	1,000
27	26156	BELT TIGHTENER PULL	1,000
29	28530	PROTECTION WASHER	1,000
30	30442	BLADE COUP. D.25 MM	1,000
31	30898	BLADE FIX.WASHER	1,000
32	31024	ADJUST SPACER	1,000
33	31025	TENSIONNER SPRING	1,000
34	31064	TENSION.REINFORCING	1,000
35	31205	TENSIONNER BLOCK	1,000
36	31215	TENSIONNER ROD	1,000
37	52306	SPACER TENSIONNER	1,000
38	35576	BLADE CLUTCH TG105	1,000
39	35855	TRANSMISSION PLATE	1,000
40	35867	RIGHT BLADE SHAFT	1,000
41	35868	LEFT BLADE SHAFT	1,000
42	35877	PULLEY	1,000

Number	Part Number	Name	Quantity
43	35882	TOOTHED BELT	1,000
44	35885	BELT COVER	1,000
45	36012	TENSIONNER	1,000
46	37561	NUT	1,000
47	37860	BLADE BEARING	1,000
48	37880	BALL BEARING 6206	1,000
49	37881	SEAL	1,000
50	37997	SCREW HM6-16 8.8	1,000
51	38031	KEY C 8X7X35	1,000
52	38032	KEY C 6X6X30	1,000
53	38033	KEY C 6X6X65	1,000
54	38375	BELT 1790 MM	1,000
55	38568	PULLEY 22 T.	1,000
56	38569	PULLEY 48 T.	1,000
57	38618	SPACER 8,5MM	1,000
58	38800	CLUTCH STOP	1,000
59	39346	TENSIONNER FORK	1,000
60	39348	BELLEVILLE WASHER	1,000
61	39398	COVER PLATE	1,000
62	39416	KING BOLT	1,000
63	39427	SPRING	1,000
64	42027	BUSH 12X6,5X32,5	1,000
65	71023	SCREW HM 6X50	1,000
66	71034	FLAT WASHER NFE 276	1,000
67	71036	DIN 471 14X1 EXT. C	1,000
68	71039	CIRCLIP,DIN 427 35X	1,000
69	71047	CIRCLIP DIN 471 15X	1,000
70	71126	FLAT WASHER,DIN 734	1,000
71	71052	SPRING WASHER,DIN 1	1,000
72	71110	HEXAGON SCREW,DIN 9	1,000
73	71111	TAPPING SCREW,DIN 7	1,000
74	71158	HEXAGONAL NUT HM10	1,000
75	71170	BELT M8 X 60	1,000
76	71231	SCREW JM5-16	1,000
77	71327	NAIL RIVET 4X21	1,000
78	71343	SPRING WASHER A8	1,000
79	71413	SCREW HM 8-20	1,000
80	71414	SCREW M10X30,10	1,000
81	71415	SCREW M10-30 L.	1,000
82	MZ124L	LEFT BLADE	1,000
83	MZ124R	RIGHT BLADE	1,000

Number	Part Number	Name	Quantity
84	26157	SET OF 8 SHEARBOLTS	1,000
85	26357	100 SHEAR BOLTS	1,000
86	39922	RIGHT BLADE SHAFT	1,000
87	39925	LEFT BLADE SHAFT	1,000
88	39913	PULLEY	1,000
89	39926	KEY 8X7X30	1,000
90	39927	KEY 8X7X65	1,000
91	39911	PULLEY	1,000
92	71223	SCREW M8X50	1,000
93	36047	SPRING HANG.STUD	1,000
94	39877	SPRING BRACKET	1,000

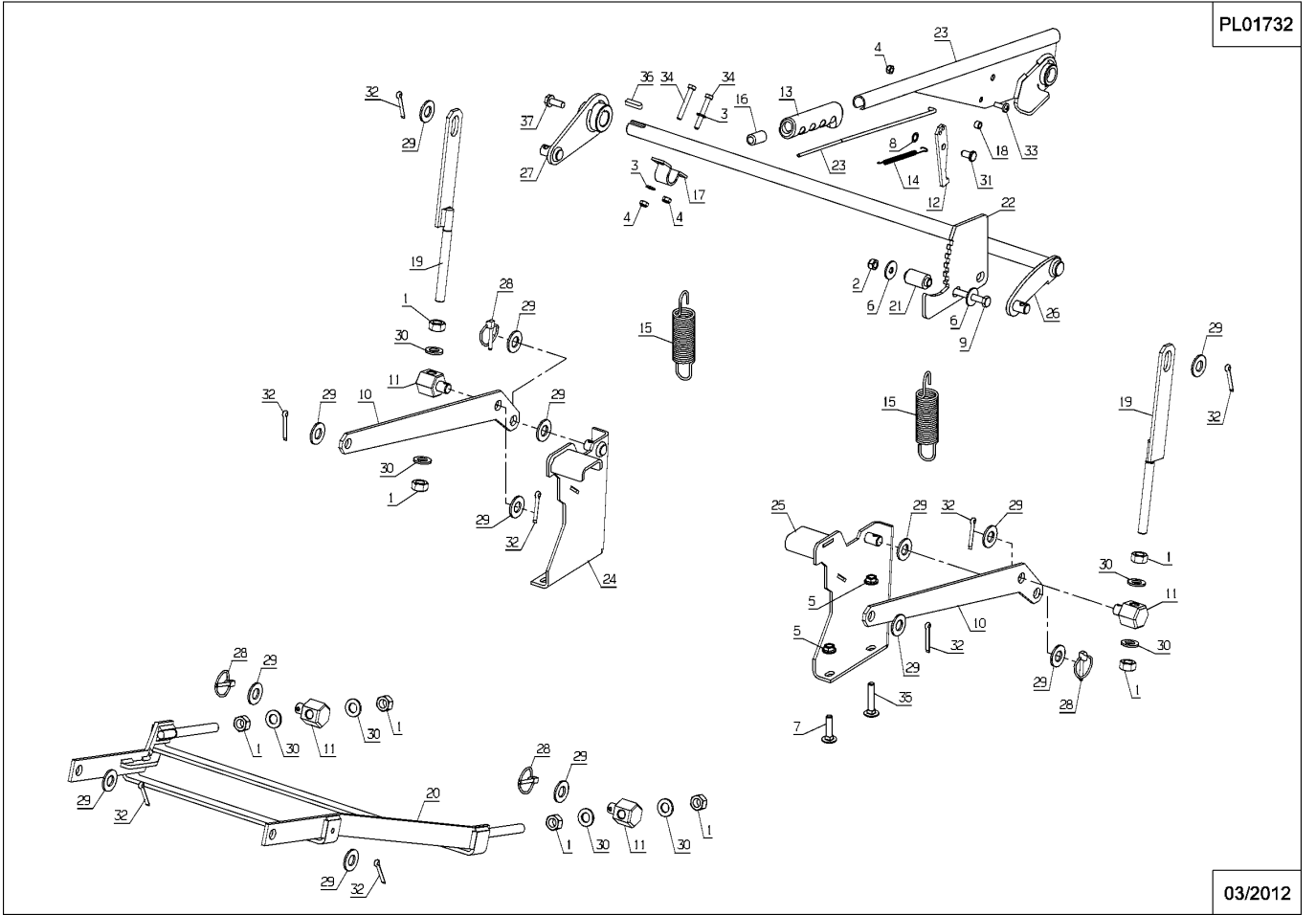
PL01731



05/2018

Number	Part Number	Name	Quantity
1	1541	HEXAGON NUT,DIN 934	1,000
2	71205	SCREW M8	1,000
3	2235	WASHER A6.4	1,000
4	71201	NUT M6	1,000
6	7035	FLAT WASHER	1,000
7	71118	SCREW 8X35	1,000
8	7377	TRUARC COLLAR DIN 7	1,000
9	21687	HEXAGON SCREW,DIN 9	1,000
10	25403	REAR ROD	1,000
11	25406	ADJUSTMENT BOLT	1,000
12	25419	RATCHET	1,000
13	25421	GRIP	1,000
14	25422	RATCHET PULL-BACK S	1,000
15	25426	SPRING	1,000
16	25429	PARKING BRAKE RELEA	1,000
17	25711	STRAP	1,000
18	25887	STEP SPACER	1,000
19	26454	REAR TIE ROD	1,000
20	26455	-> 53822	1,000
21	31087	INDEXING SPACER	1,000
22	31361	CUTT.HEIGH.INDEXING	1,000
23	35160	STEERING ROD	1,000
24	36572	R.CUT.HEIGHT STOP	1,000
25	36573	L.CUT.HEIGT STOP	1,000
26	37767	AXLE	1,000
27	37768	RIGHT LIFTING ROD	1,000
28	71005	SAFETY PIN,DIN 1102	1,000
29	71034	FLAT WASHER NFE 276	1,000
30	71035	FLAT WASHER NFE 276	1,000
31	71041	A TYPE SHAFT,DIN 14	1,000
32	71101	COTTER PIN,DIN 94 S	1,000
33	37997	SCREW HM6-16 8.8	1,000
34	71239	HEX.SCREW HM6X45	1,000
35	20520	BOLT 8X45	1,000
36	71344	KEY 6X6X25 C FORM	1,000
37	71413	SCREW HM 8-20	1,000

PL01732



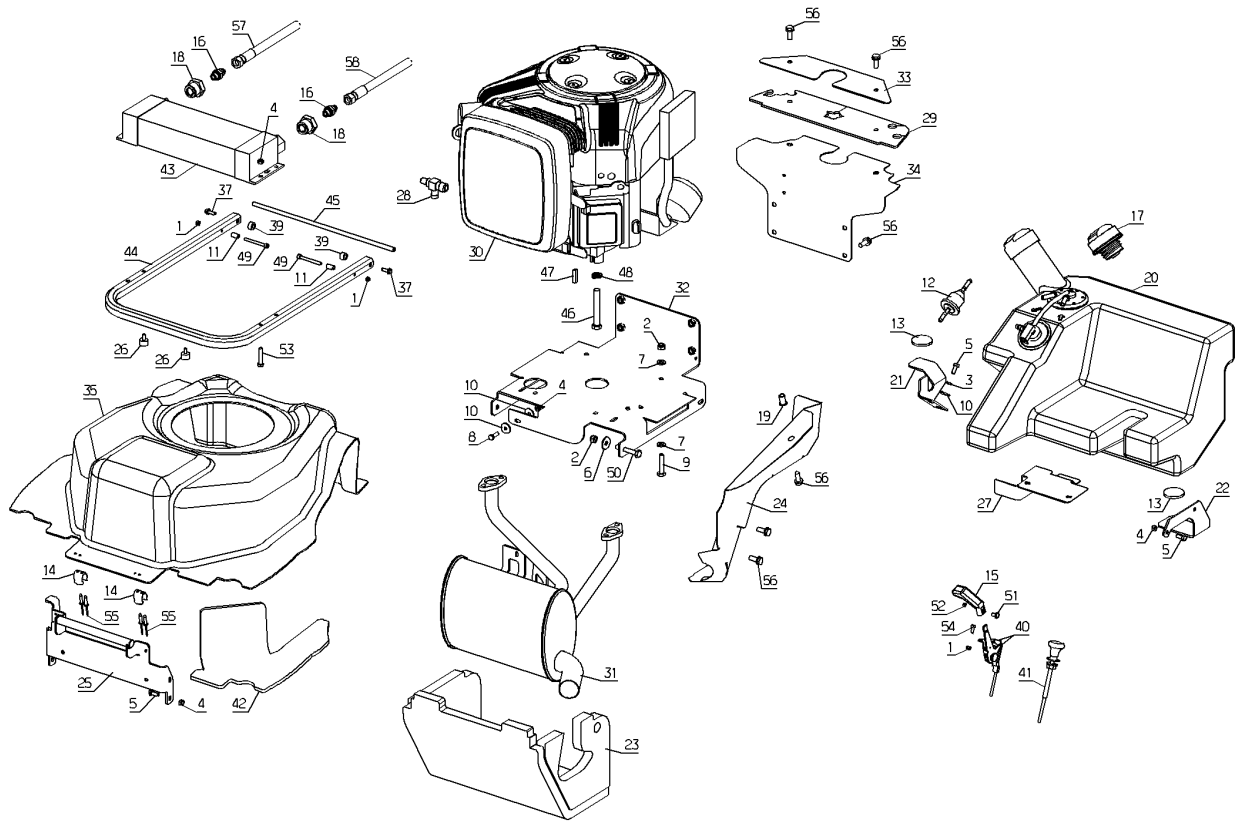
03/2012



Number	Part Number	Name	Quantity
1	37561	NUT	1,000
2	71205	SCREW M8	1,000
3	71049	SPRING WASHER,DIN 1	1,000
4	71201	NUT M6	1,000
5	37997	SCREW HM6-16 8.8	1,000
6	7035	FLAT WASHER	1,000
7	7335	WASHER	1,000
8	20507	BOLT HM 6X20	1,000
9	21114	BOLT 8X40	1,000
10	22029	FLAT WASHER 6,5	1,000
11	24846	SPACER 15X8X5,2	1,000
12	25266	FILTER FUEL	1,000
13	25879	SELF-ADHESIVE WASHE	1,000
14	25886	17/20 CUP	1,000
15	28177	GAS GRIP	1,000
16	29723	ADAPTER AJM	1,000
17	29934	TANK CAP	1,000
18	30110	REDUCER G 3/4 G1/4	1,000
19	30719	M8 INSERT	1,000
20	31100	-> 52173	1,000
21	31260	FUEL TANK BRACKET	1,000
22	31267	FUEL TANK BRACKET	1,000
23	31268	MUFFLER INSULATION	1,000
24	31327	MUFFLER COVER	1,000
25	35226	BRACKET	1,000
26	35328	RUBBER STOP	1,000
27	35404	FUEL TANK BRACKET	1,000
28	36643	ROBINET VIDANGE B&S	1,000
29	36825	PROTECTION	1,000
30	37374	ENGINE	1,000
31	53139	MUFFLER VANGUARD	1,000
32	37456	ENGINE BRACKET	1,000
33	37635	PLATE	1,000
34	37639	REAR INSULAT.PLATE	1,000
35	37720	ASPIRATION COVER	1,000
37	37996	SCREW HM5-16 8.8	1,000
39	38434	SPACER	1,000
40	38757	ACCELERATOR	1,000
41	38791	STARTER PULL	1,000
42	39390	INSULATION	1,000
43	39470	OIL RADIATOR	1,000

Number	Part Number	Name	Quantity
44	39483	BOW	1,000
45	39484	AXLE DIA. 8/338	1,000
46	39555	SCREW UNF 7/16" -3	1,000
47	71007	B-SHAPE KEY 6.35X6.	1,000
48	71159	WASHER 7/16"	1,000
49	71167	CHC M5X50 SCREW	1,000
50	71223	SCREW M8X50	1,000
51	71224	GAS GRIP SCREW 8-32	1,000
52	71225	GAS GRIP NUT 8-32"	1,000
53	71259	SCREW HM6X35	1,000
54	71284	SCREW HM5X12	1,000
55	71327	NAIL RIVET 4X21	1,000
56	71413	SCREW HM 8-20	1,000
57	39477	HOSE	1,000
58	39478	HOSE	1,000

PL01733

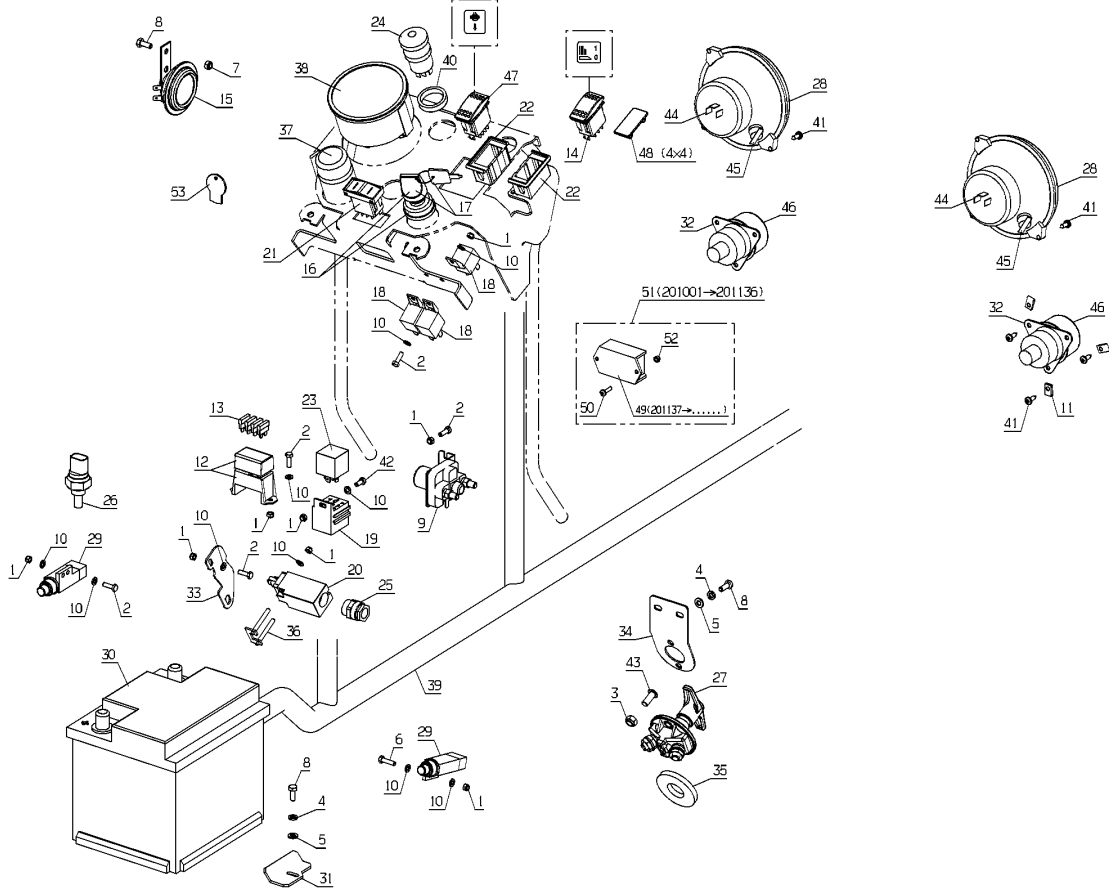


05/2011

Number	Part Number	Name	Quantity
1	37561	NUT	1,000
2	2009	BOLT M5X16	1,000
3	71205	SCREW M8	1,000
4	71049	SPRING WASHER,DIN 1	1,000
5	2235	WASHER A6.4	1,000
6	5071	BOLT HM 5X20	1,000
7	71201	NUT M6	1,000
8	37997	SCREW HM6-16 8.8	1,000
9	16604	RELAY STARTER KIT	1,000
10	20564	WASHER 5,5	1,000
11	21436	CLIPS NUT	1,000
12	25803	PLUG FUSE HOLDER	1,000
13	25824	FUSE 20A 12V	1,000
14	52494	SWITCH	1,000
15	28209	ALARM	1,000
16	28384	KEY CONTACTOR	1,000
17	28388	SET OF 2 KEY	1,000
18	28392	WATERPROOF RELAY	1,000
19	29241	RELAY CONNECTOR	1,000
20	29258	POSITION SWITCH	1,000
21	29260	SWITCH ON/OFF/ON V	1,000
22	29273	EXT. FRAME	1,000
23	29563	BLINKER UNIT	1,000
24	29624	BLINKER UNIT	1,000
25	29789	CONTACTOR GROMMET	1,000
26	30017	THERMALCONTACT	1,000
27	30295	BATTERY FUSE	1,000
28	30599	FRONT LIGHT	1,000
29	31405	SWITCH	1,000
30	31419	-> 100216	1,000
31	31439	BATTER.ANGL.BRACKET	1,000
32	32215	BLINKER	1,000
33	35058	DEAD PT SWITCH PLAT	1,000
34	35059	BRACKET	1,000
35	35115	INSULATION FOAM	1,000
36	35213	SWITCH FIXING	1,000
37	35405	ROTARY SWITCH	1,000
38	37370	INSTRUMENT DIA 100	1,000
39	51800	ELECTRICAL WIRING	1,000
40	38126	SPACER	1,000
41	71111	TAPPING SCREW,DIN 7	1,000

Number	Part Number	Name	Quantity
42	71284	SCREW HM5X12	1,000
43	71373	SCREW M8X20	1,000
44	30638	BULB H4	1,000
45	30015	STAND LIGHT AMP.	1,000
46	30695	BLINKER BULB	1,000
47	52495	SWITCH ON/OFF/ON	1,000
48	30086	MOUNTG FRAME COVER	1,000
49	39841	SOFT START	1,000
50	71115	RECESSED HEAD SCREW	1,000
51	39879	SOFT START KIT	1,000
52	21525	NUT HM4	1,000
53	37829	KEY HANGER	1,000

PL01734



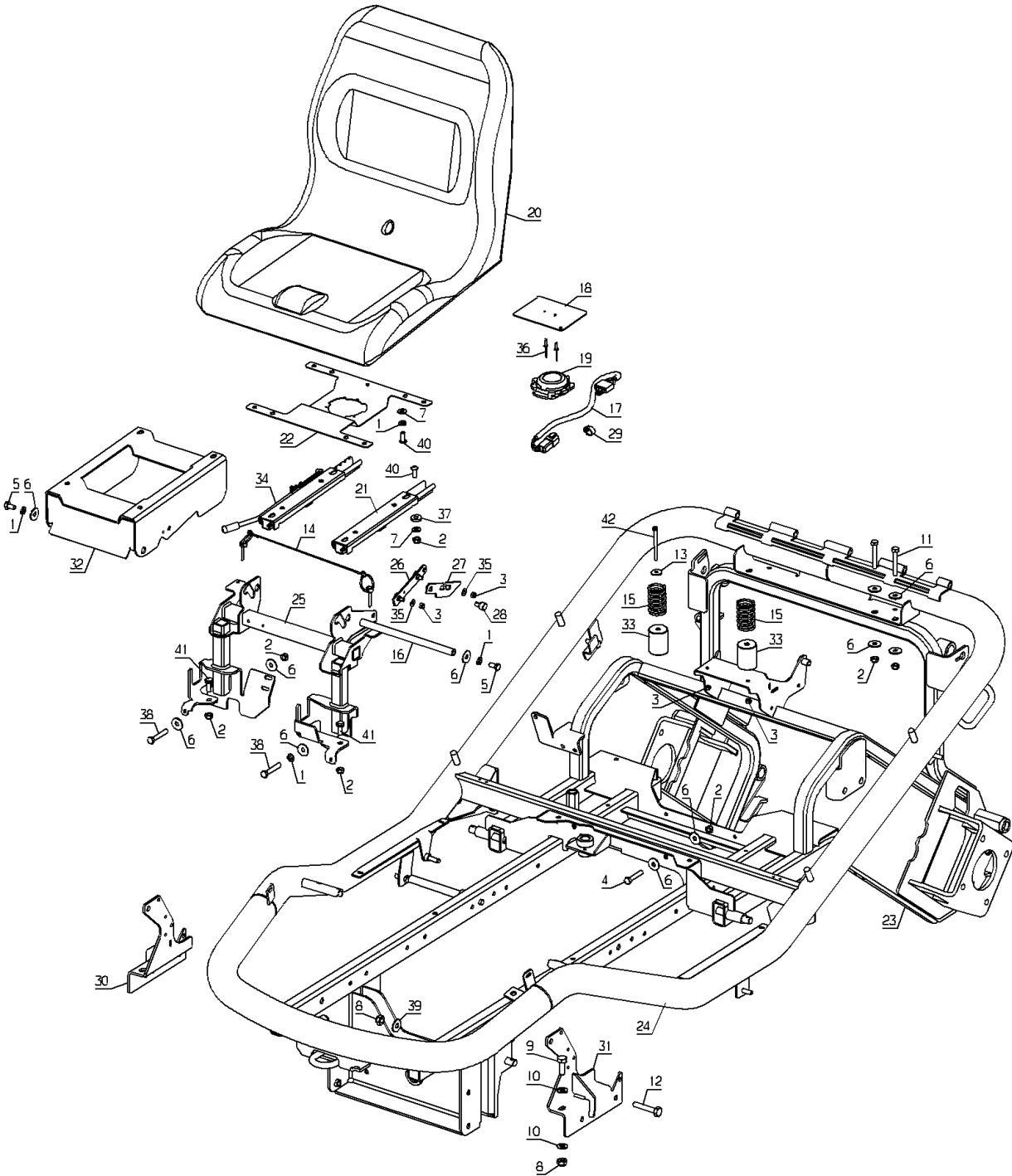
02/2013

Number	Part Number	Name	Quantity
1	71343	SPRING WASHER A8	1,000
2	71205	SCREW M8	1,000
3	71201	NUT M6	1,000
4	5340	HEXAGON SCREW,DIN 9	1,000
5	6169	SCREW HM8X16	1,000
6	7035	FLAT WASHER	1,000
7	7335	WASHER	1,000
8	9017	NUT HM10	1,000
9	21035	HEX.SCREW M10X30	1,000
10	21036	FLAT WASHER 10.5	1,000
11	21687	HEXAGON SCREW,DIN 9	1,000
12	22009	HEX.SCREW M10X55	1,000
13	22029	FLAT WASHER 6,5	1,000
14	28075	SAFETY PIN & CHAIN	1,000
15	28112	SEAT SPRING	1,000
16	28315	FR.ROLLER SHAFT 96	1,000
17	30688	SEAT WIRING	1,000
18	30689	USER DETECT.PLATE	1,000
19	30690	SEAT SWITCH	1,000
20	30691	SEAT	1,000
21	30714	SEAT GUIDE LEFT	1,000
22	30718	SWITCH PLATE	1,000
23	31056	INNER FRAME	1,000
24	31069	OUTSIDE FRAME	1,000
25	31088	SEAT BRACKET	1,000
26	31329	LOWER ROD	1,000
27	31330	UPPER ROD PLATE	1,000
28	31333	ROD AXLE	1,000
29	32219	KLAMP 12X2	1,000
30	35065	BRACKET	1,000
31	35066	BRACKET	1,000
32	35908	GUIDE BRACKET	1,000
33	35911	SEAT SPRING HEIGHT	1,000
34	37079	SEAT GUIDE RIGHT	1,000
35	71075	WASHER	1,000
36	71113	NAIL RIVET, DIA. 4X	1,000
37	71126	FLAT WASHER,DIN 734	1,000
38	71223	SCREW M8X50	1,000
39	71238	WASHER A10,2	1,000
40	71373	SCREW M8X20	1,000
41	71413	SCREW HM 8-20	1,000

Number	Part Number	Name	Quantity
42	71419	CHC M6X70 SCREW	1,000



PL01735

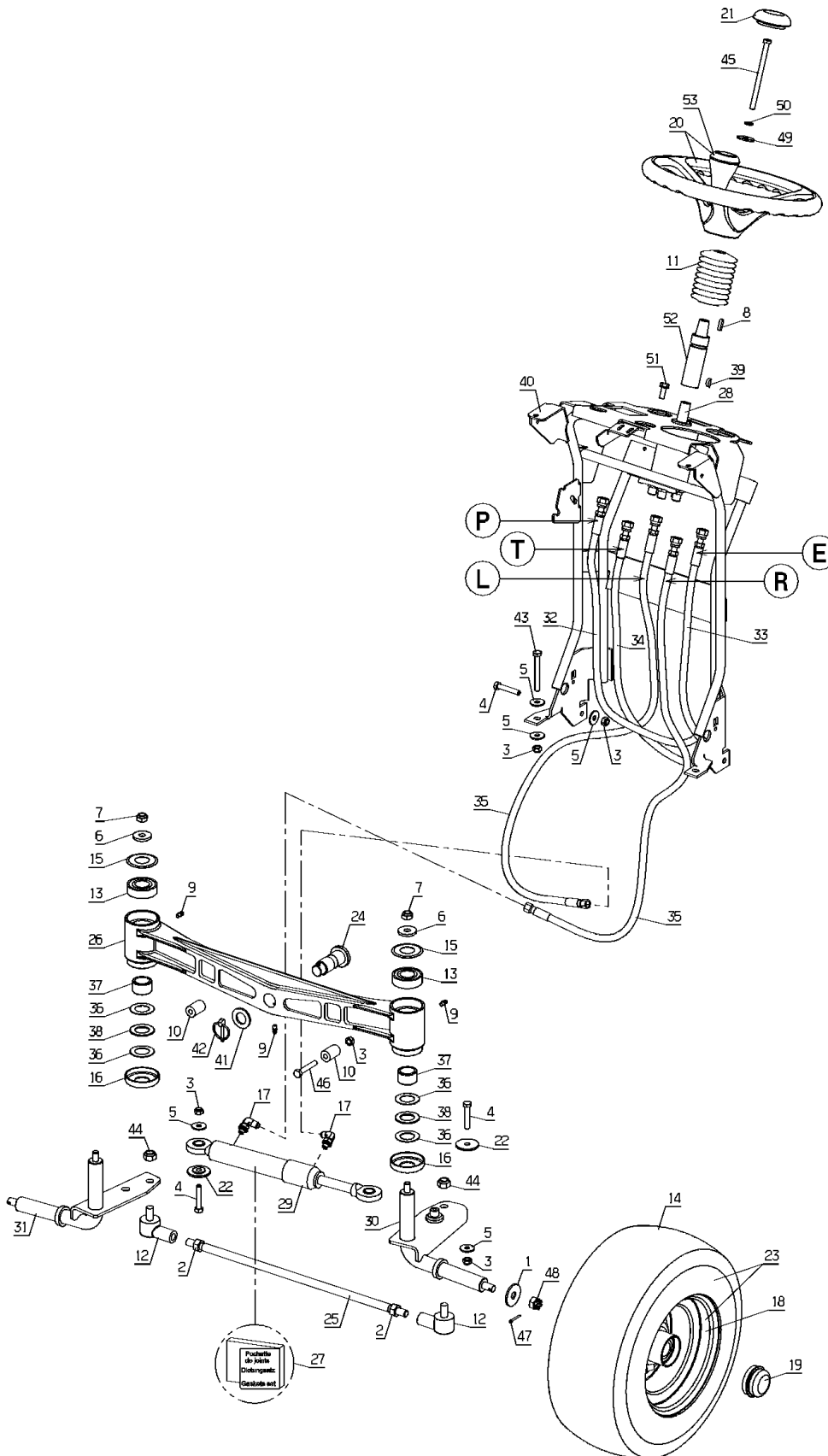


03/2011

Number	Part Number	Name	Quantity
1	1517	WASHER 13X40X3	1,000
2	1541	HEXAGON NUT,DIN 934	1,000
3	71205	SCREW M8	1,000
4	5340	HEXAGON SCREW,DIN 9	1,000
5	7035	FLAT WASHER	1,000
6	9009	WASHER	1,000
6	71238	WASHER A10,2	1,000
7	71249	SCREW M10	1,000
7	9017	NUT HM10	1,000
8	20606	KEY 5X5X20	1,000
9	25301	RH STD "HYDRAULIC"	1,000
10	25304	SPACER	1,000
11	25329	PCV BELLOWS	1,000
12	25345	BALL JOIN M12	1,000
13	25475	SEALED BALL BEARING	1,000
14	28351	TYRE SO/NAT	1,000
14	35895	TYRE TREL 16.5X6.50	1,000
15	28530	PROTECTION WASHER	1,000
16	29158	LOWER CAP	1,000
17	29457	ADAPTER CJM	1,000
18	29508	FRONT RIM 5.50X8	1,000
19	29509	PROTECTION CAP	1,000
20	29900	STEERING WHEEL	1,000
21	29978	STEERING WHEEL CAP	1,000
22	30263	WASHER	1,000
23	29194	FRONT WHEEL CPLT	1,000
24	31104	AXLE SHAFT	1,000
25	31109	STUB AXLE ROD	1,000
26	31115	FRONT AXLE	1,000
27	30457	GBX J.BAG OF GASKET	1,000
28	31233	ORBITROL	1,000
29	31234	STEERING CYLINDER	1,000
30	31581	LEFT STUB AXLE	1,000
31	31599	RIGHT STUB AXLE	1,000
32	31690	HOSE	1,000
33	31691	HOSE	1,000
34	31692	HOSE	1,000
35	31693	HOSE	1,000
36	35108	WASHER AS1105	1,000
37	35109	NAILBEARING HMK2520	1,000
38	35110	BEARING STOP	1,000

Number	Part Number	Name	Quantity
39	35159	KEU 5X6.5	1,000
40	37672	STEERING BRACKET	1,000
41	71002	FLAT WASHER,DIN 125	1,000
42	71005	SAFETY PIN,DIN 1102	1,000
43	71068	HEXAGON SCREW,DIN 9	1,000
44	71157	NUT AUTOFR.HM12	1,000
45	71171	SCREW	1,000
46	71223	SCREW M8X50	1,000
47	71294	SPLIT PIN 3,2 X 22	1,000
48	71295	NUT HK M12X1,25	1,000
49	71311	WASHER 8X30X2,5	1,000
50	71343	SPRING WASHER A8	1,000
51	71413	SCREW HM 8-20	1,000
52	37675	STEERING WHEEL SEAT	1,000
53	29923	STEERING WHEEL GAIT	1,000

PL01736



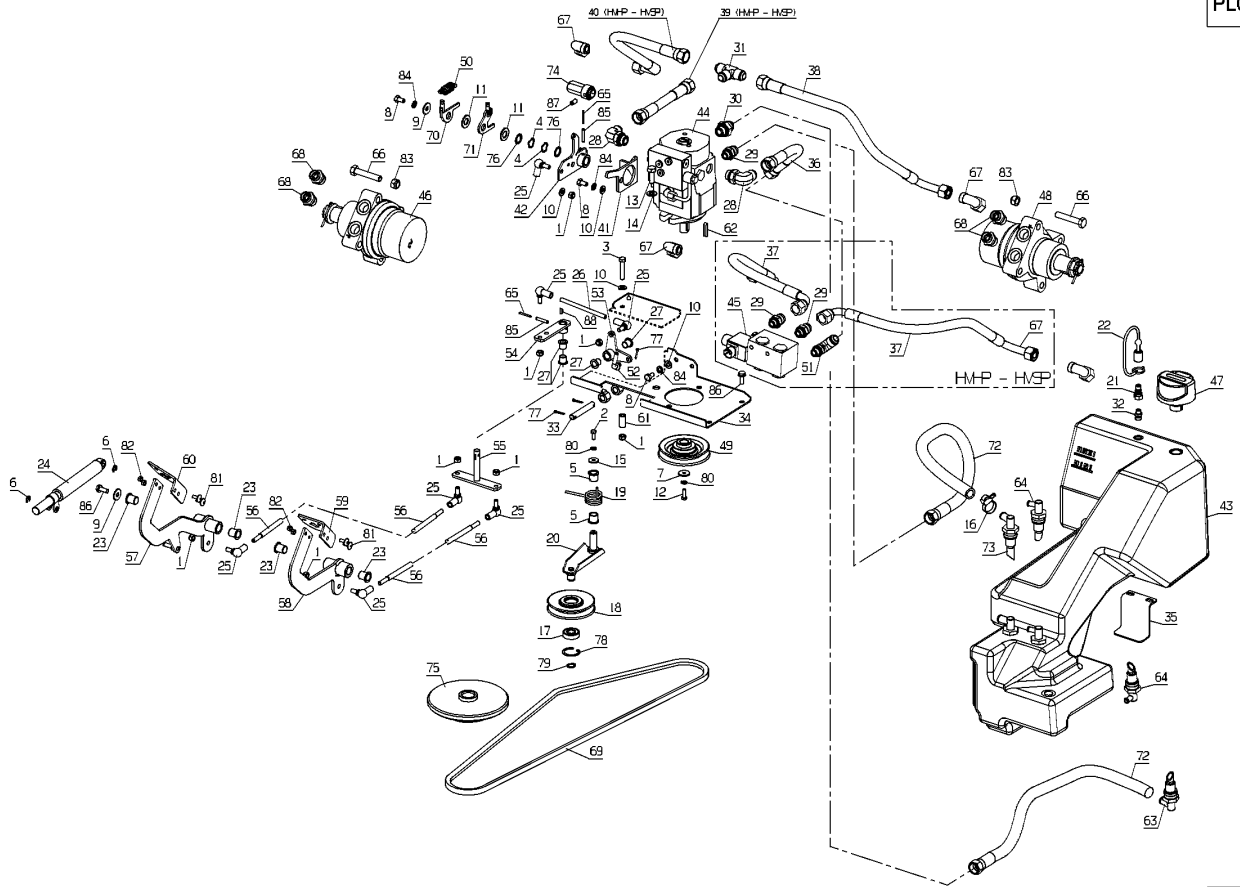
04/2011

Number	Part Number	Name	Quantity
1	71205	SCREW M8	1,000
2	37997	SCREW HM6-16 8.8	1,000
3	5340	HEXAGON SCREW,DIN 9	1,000
4	5411	WASHER	1,000
5	5455	SELF-LUBRIC.RING C1	1,000
6	5602	ANNEAU TRUARC	1,000
7	5604	WASHER	1,000
8	6169	SCREW HM8X16	1,000
9	7035	FLAT WASHER	1,000
10	7335	WASHER	1,000
11	9034	NYLON WASHER	1,000
12	20507	BOLT HM 6X20	1,000
13	21035	HEX.SCREW M10X30	1,000
14	21036	FLAT WASHER 10.5	1,000
15	22029	FLAT WASHER 6,5	1,000
16	25007	COLLAR 16/27	1,000
17	25112	BALL BEARING,6202 S	1,000
18	25509	TENSIONING PULLEY	1,000
19	25511	UPPER BELT TIGHTENE	1,000
20	26511	SPA UPPER BELT TIGH	1,000
21	27116	MALE COUPLER 1/8	1,000
22	27126	COUPLER HOOD	1,000
23	28070	SLEEVE 15/17/20	1,000
24	28143	SHOCK ABSORBER	1,000
25	28234	KNUCKLE M8	1,000
26	28508	PARKING BRAKE ROD	1,000
27	28555	SLEEVE 12/14/15	1,000
28	29450	ADAPTER CJM	1,000
29	29459	ADAPTER AJM	1,000
30	29466	ADAPTER AJM	1,000
31	29470	ADAPTER HJM	1,000
32	29962	UNION 6L 1/8	1,000
33	31067	DRIVING SHAFT	1,000
34	31077	PUMP BRACKET	1,000
35	31256	HYD. TANK BRACKET	1,000
36	31619	HOSE	1,000
37	31620	HOSE	1,000
38	31621	HOSE	1,000
39	31622	HOSE	1,000
40	31628	HOSE	1,000
41	31643	DEAD POINT ADJUST.	1,000

Number	Part Number	Name	Quantity
42	31646	PUMP ROD	1,000
43	31649	HYD. TANK	1,000
44	31650	TRANSMISSION PUMP	1,000
45	31651	FLOW DIVIDER	1,000
46	31652	R.WHEEL ENG.2046	1,000
47	38562	AIR FILTER	1,000
48	31657	L.WHEEL ENGINE 2047	1,000
49	31658	PULLEY	1,000
50	31659	SPRING	1,000
51	31660	ADAPTER	1,000
52	31669	PUMP LEVER ROD	1,000
53	31672	CORNER CONTROL	1,000
54	31675	CORNER PEDAL	1,000
55	31678	-> 51304X1 52397X1	1,000
56	31681	PEDAL ROD	1,000
57	31686	FOR ROD	1,000
58	31687	BACK ROD	1,000
59	31688	FORWARD PEDAL	1,000
60	31689	REVERSE PEDAL	1,000
61	31694	SPACER	1,000
62	34069	KEY 6X6X32	1,000
63	35257	PIPETTE TUBE 16	1,000
64	35258	PIPETTE TUBE 10	1,000
65	35290	SPIRAL PIN 3X30	1,000
66	35356	SCREW HM12-65	1,000
67	35406	ADAPTER 15L F15L	1,000
68	35407	ADAPTER M22X1.5 15L	1,000
69	53096	BELT	1,000
70	37545	ROD	1,000
71	37546	ROD	1,000
72	37572	HOSE	1,000
73	37573	PIPETTE 16	1,000
74	38626	BY PASS EXTENSION	1,000
75	38816	PULLEY	1,000
76	71016	WASHER 16X22X1	1,000
77	71018	V3,2 SPLIT PIN	1,000
78	71039	CIRCLIP,DIN 427 35X	1,000
79	71047	CIRCLIP DIN 471 15X	1,000
80	71049	SPRING WASHER,DIN 1	1,000
81	71069	BOLT DIN 603	1,000
82	71201	NUT M6	1,000

Number	Part Number	Name	Quantity
83	71157	NUT AUTOFR.HM12	1,000
84	71343	SPRING WASHER A8	1,000
85	71390	SPIRAL PIN 5-30	1,000
86	71413	SCREW HM 8-20	1,000
87	71420	IN.HEX SCREW M8X16	1,000
88	3017	KEY 4X5	1,000

PL01737

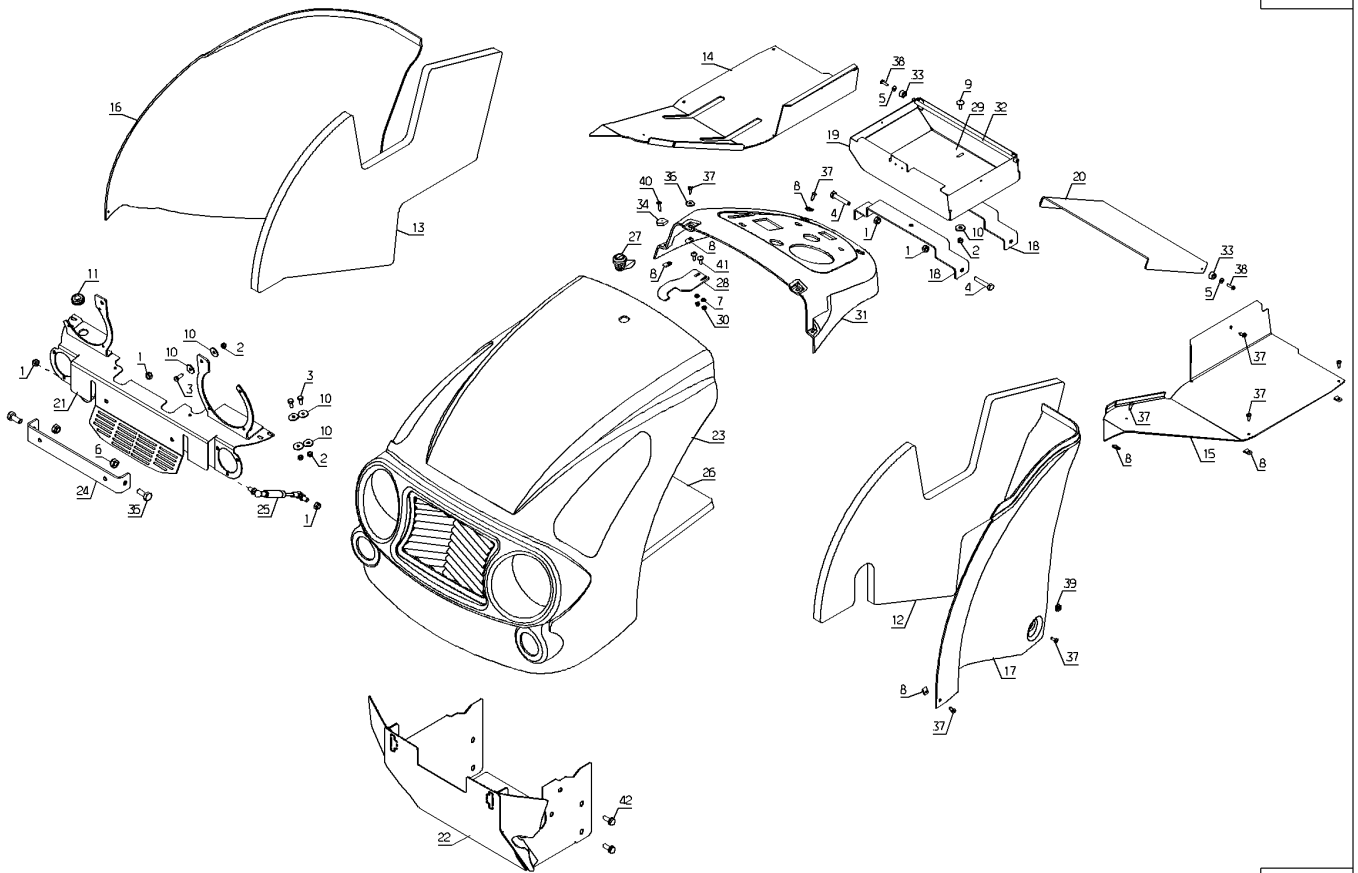


02/2014



Number	Part Number	Name	Quantity
1	71205	SCREW M8	1,000
2	71201	NUT M6	1,000
3	37997	SCREW HM6-16 8.8	1,000
4	5340	HEXAGON SCREW,DIN 9	1,000
5	7094	FLAT WASHER	1,000
6	9017	NUT HM10	1,000
7	20564	WASHER 5,5	1,000
8	21436	CLIPS NUT	1,000
9	21608	SCREW 6X16 DIN	1,000
10	22029	FLAT WASHER 6,5	1,000
11	28292	RUBBER FUNEL DIA.14	1,000
12	31018	ISOLATION LEFT	1,000
13	31019	ISOLATION RIGHT	1,000
14	31062	RIGHT STEP	1,000
15	31063	LEFT STEP	1,000
16	31083	R.SIDE ENGINE COVER	1,000
17	31084	L.SIDE ENGINE COVER	1,000
18	31180	TOOL BOX BRACKET	1,000
19	31181	TOOL BOX KIT	1,000
20	31182	TOOL BOX COVER	1,000
21	31322	FRONT LIGHT BRACKET	1,000
22	31326	STEERING COVER	1,000
23	39666	ENGINE COVER	1,000
24	32000	ENGINE COVER HINGE	1,000
25	32015	COVER JACK	1,000
26	32022	FRONT SOUND INSULA	1,000
27	32126	ENGINE COVER LOCK	1,000
28	32136	LOCK STOP	1,000
29	35498	COVERING	1,000
30	37561	NUT	1,000
31	37843	DASH BOARD	1,000
32	38425	TOOL BOX AXLE	1,000
33	38434	SPACER	1,000
34	38827	RUBBER WASHER	1,000
35	70086	HEXAGON SCREW,DIN 9	1,000
36	71096	WASHER B6,4	1,000
37	71111	TAPPING SCREW,DIN 7	1,000
38	71115	RECESSED HEAD SCREW	1,000
39	71145	NUT 536	1,000
41	71231	SCREW JM5-16	1,000
42	71413	SCREW HM 8-20	1,000

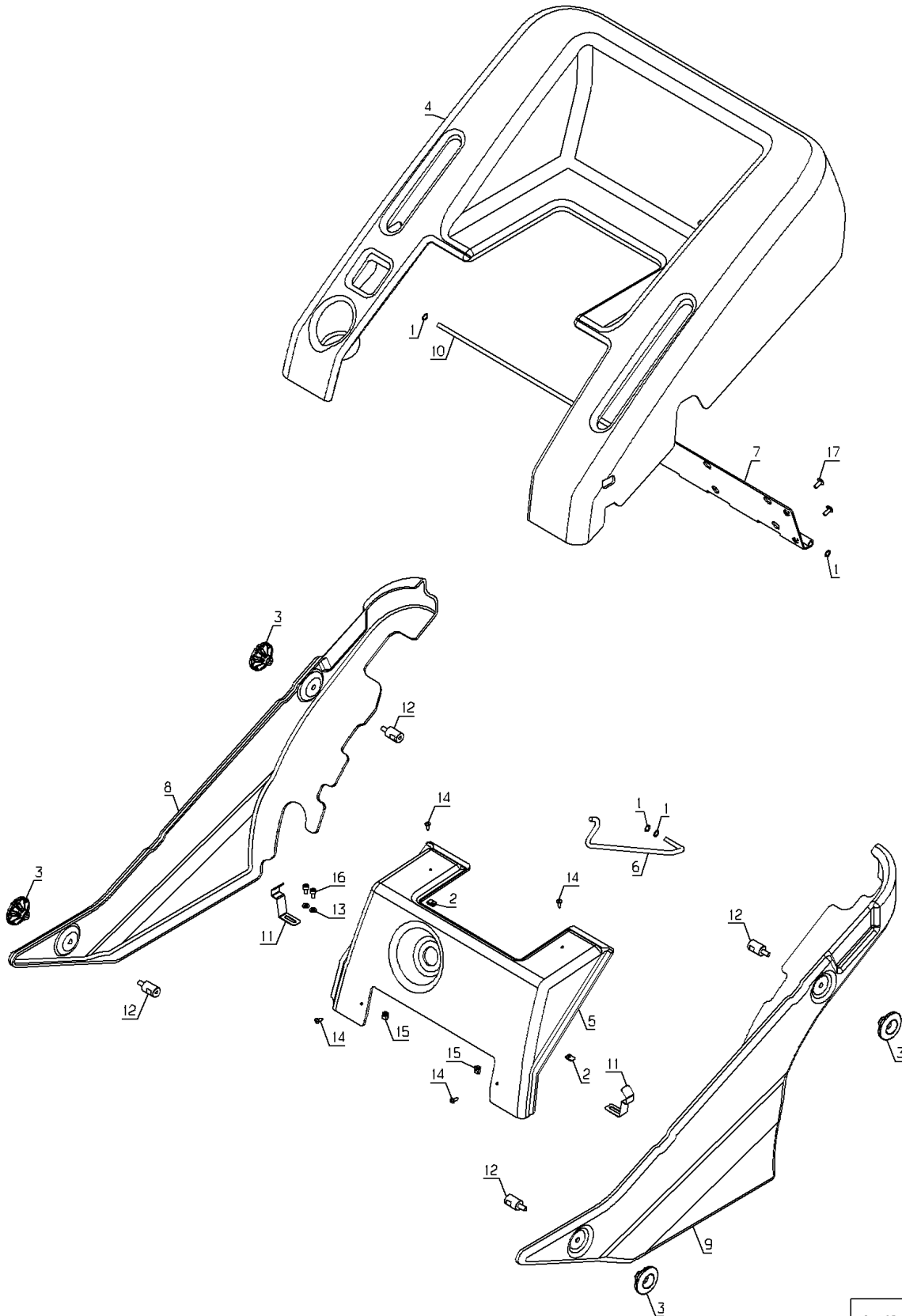
PL01738



03/2011

Number	Part Number	Name	Quantity
1	7377	TRUARC COLLAR DIN 7	1,000
2	21436	CLIPS NUT	1,000
3	24610	BUTTON (SMALL)	1,000
4	52176	CENTRAL COVER	1,000
5	31082	FIXED CENTRAL COVER	1,000
6	31085	CENTRAL COVER ROD	1,000
7	31176	HINGE	1,000
8	31250	RIGHT SIDE COVER	1,000
9	31251	LEFT SIDE COVER	1,000
10	35162	AXLE	1,000
11	35745	ENGINE COVER FIX.	1,000
12	37364	AXLE	1,000
13	71094	WASHER 6,4	1,000
14	71111	TAPPING SCREW,DIN 7	1,000
15	71145	NUT 536	1,000
16	71355	HEX.SCREW M6X10	1,000
17	71361	SCREW RL X M6X16	1,000

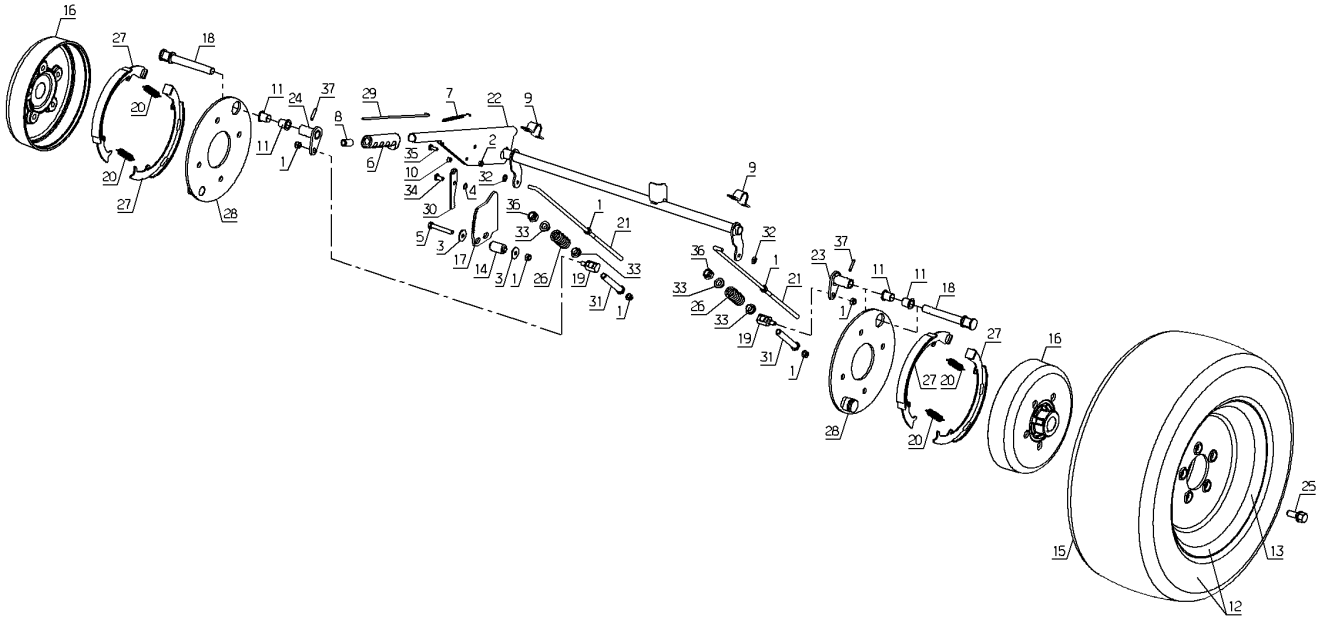
PL01739



04/2011

Number	Part Number	Name	Quantity
1	71205	SCREW M8	1,000
2	71201	NUT M6	1,000
3	7035	FLAT WASHER	1,000
4	7377	TRUARC COLLAR DIN 7	1,000
5	21687	HEXAGON SCREW,DIN 9	1,000
6	25421	GRIP	1,000
7	25422	RATCHET PULL-BACK S	1,000
8	25429	PARKING BRAKE RELEA	1,000
9	25711	STRAP	1,000
10	25887	STEP SPACER	1,000
11	28070	SLEEVE 15/17/20	1,000
12	37606	REAR WHEEL GREY KPL	1,000
13	37607	REAR WHEEL RIM	1,000
14	31087	INDEXING SPACER	1,000
15	31280	REAR TYRE	1,000
16	31356	BRAKE DRUM	1,000
17	31360	BRAKE INDEXING	1,000
18	31362	BRAKE AXLE	1,000
19	31364	QUOIN	1,000
20	31368	SPRING	1,000
21	31369	BRAKE ROD	1,000
22	31372	BRAKE LEVER	1,000
23	31377	LEFT BRAKE ROD	1,000
24	31378	RIGHT BRAKE ROD	1,000
25	32152	WHEEL FITTING SCREW	1,000
26	35110	BEARING STOP	1,000
27	35136	BRAKE SHOE	1,000
28	35181	BRAKE COVER	1,000
29	35207	CONTROL ROD	1,000
30	35266	RATCHET	1,000
31	35268	GUIDE	1,000
32	35285	TRUARC COLLAR 7	1,000
33	35522	SPACER	1,000
34	71041	A TYPE SHAFT,DIN 14	1,000
35	37997	SCREW HM6-16 8.8	1,000
36	71157	NUT AUTOFR.HM12	1,000
37	71248	SPIRAL PIN 5X26	1,000

PL01740

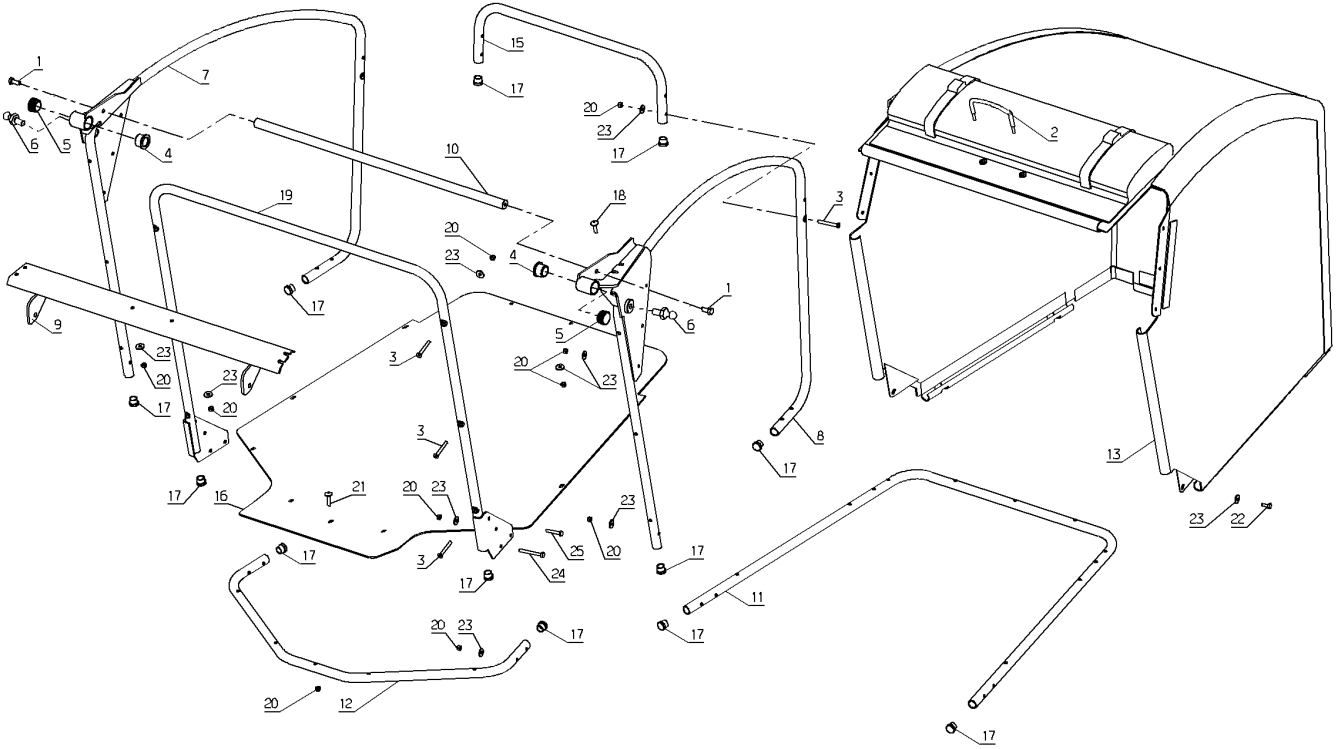


04/2011

Number	Part Number	Name	Quantity
1	71413	SCREW HM 8-20	1,000
2	7369	HANDLE	1,000
3	20571	SCREW M6 X 50	1,000
4	25416	SLEEVE PA 66 26/20X	1,000
5	29647	CAP DIA.30	1,000
6	29929	MALE SOCKET DIA 12	1,000
7	31122	BAG SIDE FRAME RIGH	1,000
8	31123	BAG SIDE FRAME LEFT	1,000
9	31124	BRACKET	1,000
10	31288	GRASBOX REINFORCING	1,000
11	31511	GRASBOX TUBE	1,000
12	31513	BRACKET	1,000
13	31516	GRASBAG	1,000
15	31557	GRASBOX REAR TUBE	1,000
16	31559	GRASBOX BOTTOM	1,000
17	32071	TUBE CAP	1,000
18	71060	BOLT TRCC 6X25	1,000
19	31551	FRONT BOW	1,000
20	71201	NUT M6	1,000
21	71080	SCREW 6X30	1,000
22	71084	BOLT HM6X16 DIN 933	1,000
23	71096	WASHER B6,4	1,000
24	71302	SCREW H M6X55	1,000
25	71380	SCREW TH M6X35	1,000

MH600

PL01109



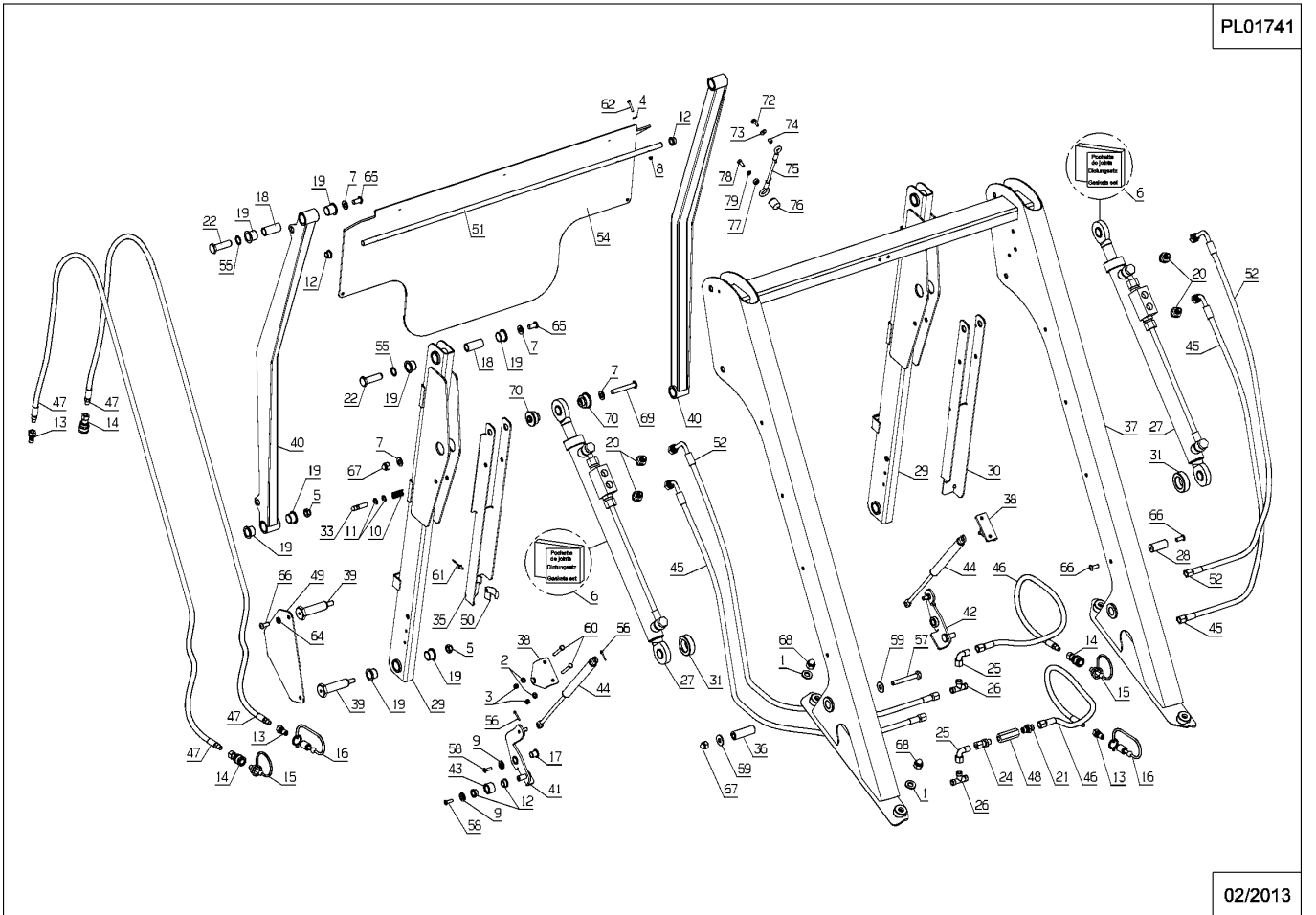
04/2011



Number	Part Number	Name	Quantity
1	1560	FLAT WASHER 13X25X3	1,000
2	7335	WASHER	1,000
3	71201	NUT M6	1,000
4	7094	FLAT WASHER	1,000
5	9017	NUT HM10	1,000
6	31194	GASKET SET	1,000
7	21036	FLAT WASHER 10.5	1,000
8	21525	NUT HM4	1,000
9	24132	SHAFT WASHER	1,000
10	24647	SPRING	1,000
11	24684	TRUARC RING	1,000
12	25564	12X16X10 PLASTIC RI	1,000
13	27116	MALE COUPLER 1/8	1,000
14	27122	FEMALE COUPLER 1/8	1,000
15	27125	COUPLER CAP	1,000
16	27126	COUPLER HOOD	1,000
17	28555	SLEEVE 12/14/15	1,000
18	29350	G.BOX CRANE SPACER	1,000
19	29427	SLEEVE 20/23/21	1,000
20	29456	ADAPTER AJM	1,000
21	29462	ADAPTER UMA	1,000
22	29770	CRANE ARM SHAFT	1,000
24	30054	ADAPT.GM 1/4" F8L	1,000
25	30108	CONNECTOR 8L 90°	1,000
26	30109	T CONNECTOR 8L	1,000
27	31191	HYD.CYLINDER	1,000
28	31219	HIGH LIFT BEAM AXLE	1,000
29	31222	LOWER LIFTER ARM	1,000
30	31248	LEFT BLOCKING ARM	1,000
31	31282	CYLINDER STOP	1,000
33	31291	BLOCKING ARM AXLE	1,000
35	31247	PLATE	1,000
36	31504	CYLIND.FIXING RING	1,000
37	31510	HIGH LIFT BEAM	1,000
38	31533	GAS JACK PLATE	1,000
39	31541	GRASBOX ARM AXLE	1,000
40	31546	UPPER ARM	1,000
41	31552	RIGHT BOTTOM ROD	1,000
42	31553	LEFT BOTTOM ROD	1,000
43	31571	SMALL WHEEL	1,000
44	31588	GAZ CYLINDER	1,000

Number	Part Number	Name	Quantity
45	31608	HOSE	1,000
46	31616	HOSE	1,000
47	31627	HOSE	1,000
48	31633	FLOW LIMITER	1,000
49	31666	HOSE PROTECTION	1,000
50	35064	KLAMP 26-30	1,000
51	35192	FLAPPER AXLE	1,000
52	35208	HOSE	1,000
54	35487	FLAPPER	1,000
55	71016	WASHER 16X22X1	1,000
56	71018	V3,2 SPLIT PIN	1,000
57	71032	KAWA SCREW H M10X75	1,000
58	71108	RECESSED HEAD SCREW	1,000
59	71238	WASHER A10,2	1,000
60	71239	HEX.SCREW HM6X45	1,000
61	71241	NAIL RIVET 4,8X10,5	1,000
62	71283	SCREW M4-25,4.6	1,000
64	71343	SPRING WASHER A8	1,000
65	71354	SCREW B HC M10X20	1,000
66	71373	SCREW M8X20	1,000
67	71374	CAP NUT M10	1,000
68	71375	CAP NUT M12	1,000
69	35834	SCREW HCM10-70.8.8	1,000
70	35835	SPACER	1,000
72	37996	SCREW HM5-16 8.8	1,000
73	21481	WASHER	1,000
74	23029	KNUCKLE RING	1,000
75	28239	COVER BAND	1,000
76	29783	RUBBER STOP	1,000
77	35572	SPACER	1,000
78	37997	SCREW HM6-16 8.8	1,000
79	71049	SPRING WASHER,DIN 1	1,000

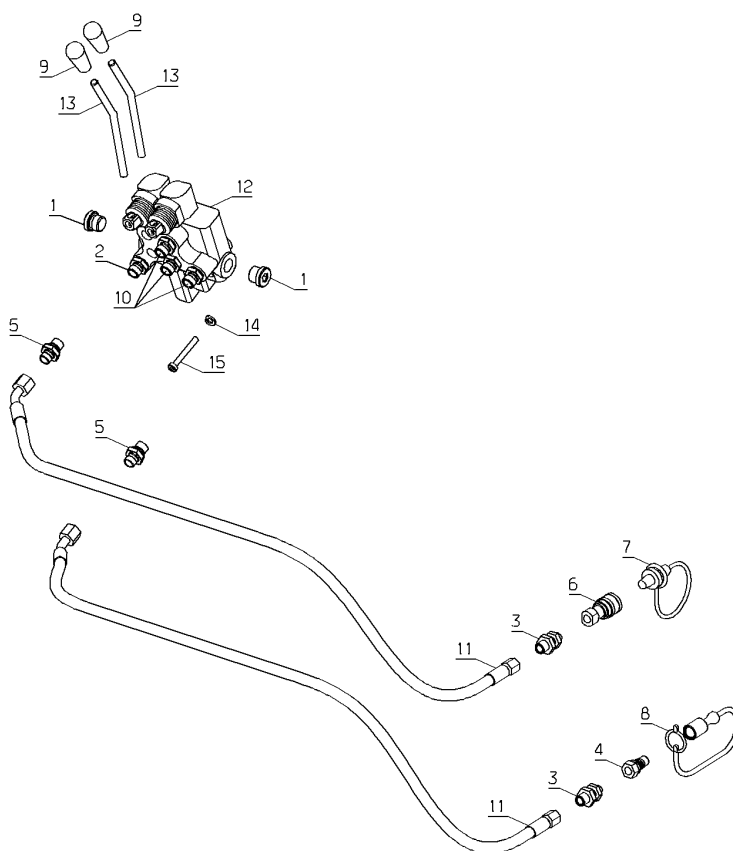
PL01741



02/2013

Number	Part Number	Name	Quantity
1	27021	DISTRIB. PLUG 3/8"	1,000
2	27097	UNION 3/8"-14X150	1,000
3	27115	UNION PIECE	1,000
4	27116	MALE COUPLER 1/8	1,000
5	27120	UNION 1/4"-12X150	1,000
6	27122	FEMALE COUPLER 1/8	1,000
7	27125	COUPLER CAP	1,000
8	27126	COUPLER HOOD	1,000
9	27131	DISTRIB. LEVER HAND	1,000
10	29462	ADAPTER UMA	1,000
11	31606	HOSE	1,000
12	31636	DISTRIBUTOR BM20/2	1,000
13	35175	CONTROL LEVER	1,000
14	71049	SPRING WASHER,DIN 1	1,000
15	71342	SCREW M6X45 8.8	1,000

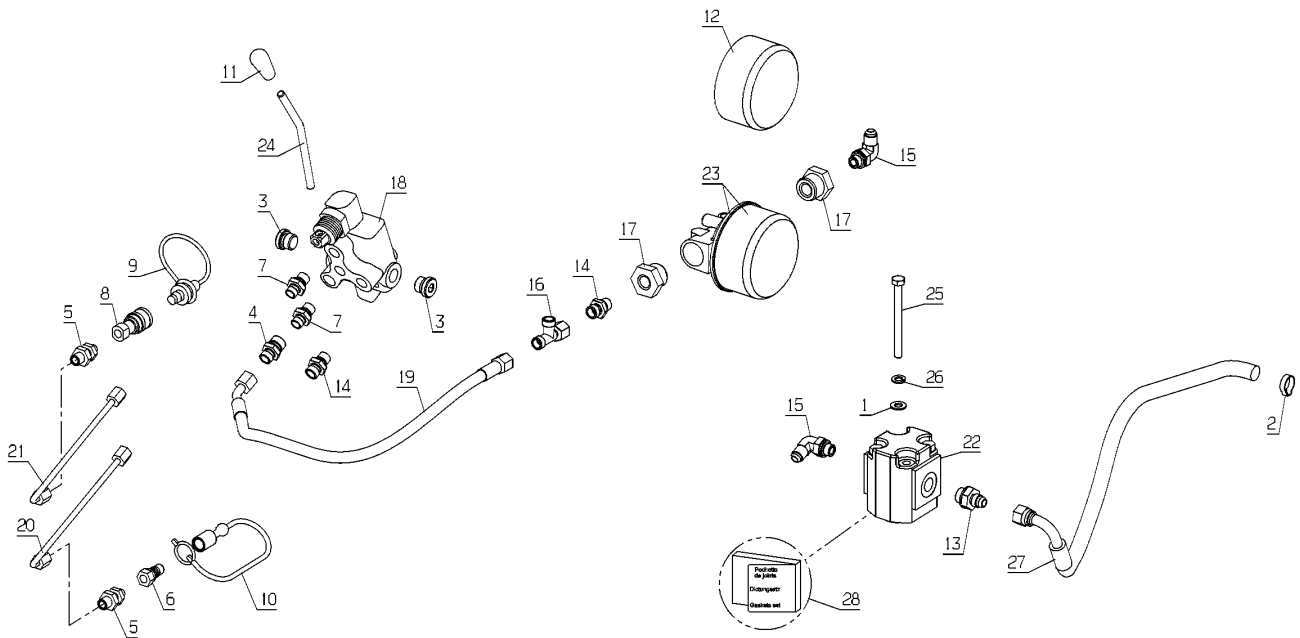
PL01742



04/2011

Number	Part Number	Name	Quantity
1	7335	WASHER	1,000
2	25694	CLAMPING RING 16	1,000
3	27021	DISTRIB. PLUG 3/8"	1,000
4	27097	UNION 3/8"-14X150	1,000
5	27115	UNION PIECE	1,000
6	27116	MALE COUPLER 1/8	1,000
7	27120	UNION 1/4"-12X150	1,000
8	27122	FEMALE COUPLER 1/8	1,000
9	27125	COUPLER CAP	1,000
10	27126	COUPLER HOOD	1,000
11	27131	DISTRIB. LEVER HAND	1,000
12	29408	FILTER	1,000
13	29456	ADAPTER AJM	1,000
14	29462	ADAPTER UMA	1,000
15	29464	ADAPTER CJM	1,000
16	29471	TELAR ADAPTER	1,000
17	30110	REDUCER G 3/4 G1/4	1,000
18	30680	DISTRIBUTOR BM20/1	1,000
19	31612	HOSE	1,000
20	31613	TUBE	1,000
21	31614	TUBE	1,000
22	52740	PUMP 3.2 CC	1,000
23	31655	RETURN FILTER	1,000
24	35175	CONTROL LEVER	1,000
25	71199	SCREW HM8X90	1,000
26	71343	SPRING WASHER A8	1,000
27	31601	HOSE	1,000
28	34628	GASKETS SET	1,000

PL01743



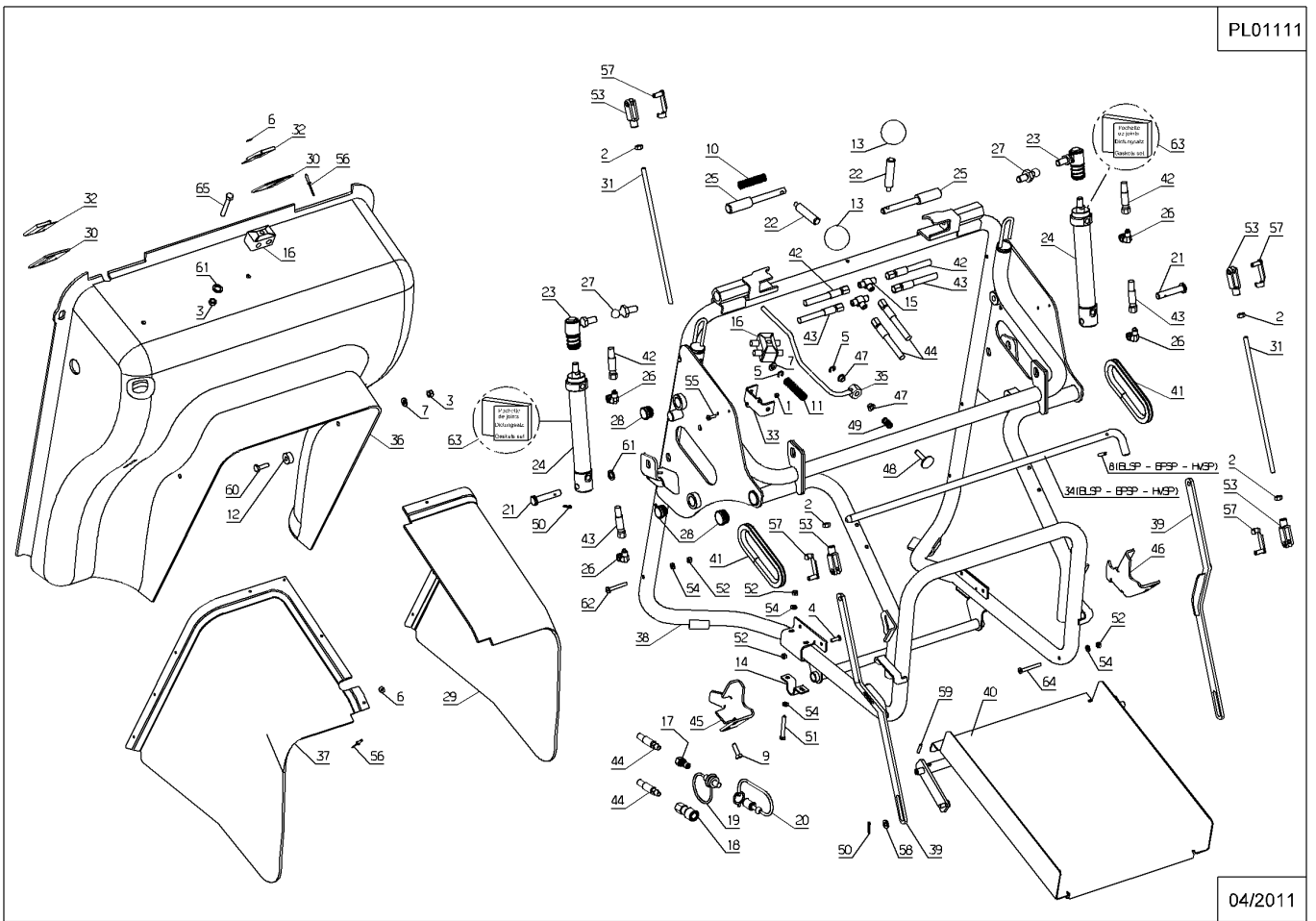
12/2011

Number	Part Number	Name	Quantity
1	37561	NUT	1,000
2	2020	NUT HM8	1,000
3	71205	SCREW M8	1,000
4	71381	SCREW FHC/90 M6-20	1,000
5	5602	ANNEAU TRUARC	1,000
6	7094	FLAT WASHER	1,000
7	7335	WASHER	1,000
9	71413	SCREW HM 8-20	1,000
10	22457	CLUTCH SPRING	1,000
11	24609	SPRING	1,000
12	25012	RUBBER WASHER	1,000
13	25560	LEVER PROTECTIVE	1,000
14	25711	STRAP	1,000
15	27022	T CONNECTION	1,000
16	27111	-> 27111X2 + 52797	1,000
17	27116	MALE COUPLER 1/8	1,000
18	27122	FEMALE COUPLER 1/8	1,000
19	27125	COUPLER CAP	1,000
20	27126	COUPLER HOOD	1,000
21	29333	REAR EMPT.RAM SHAFT	1,000
22	29372	BOX HANDLE	1,000
23	29378	ANGLE KNUCKLE	1,000
24	29400	G.BOX EMPTYING JACK	1,000
25	29426	GRASSBOX SHAFT	1,000
26	29468	ADAPTER CJM	1,000
27	29929	MALE SOCKET DIA 12	1,000
28	29995	CAP DIA 25	1,000
29	31128	-> 52485	1,000
30	31129	REINFORCING PLATE	1,000
31	31144	ROD	1,000
32	31224	BRUCH	1,000
33	31245	REAR GUIDE	1,000
35	31401	GRASBOX SWITCH AXLE	1,000
36	52487	FIXED GRASBOX	1,000
37	31526	-> 52486	1,000
38	31549	FIX.GRASBOX	1,000
39	31560	CONTROL LINK	1,000
40	31566	BOTTOM	1,000
41	28254	PROTECT.COATING 690	1,000
42	31604	HOSE	1,000
43	31605	HOSE	1,000



Number	Part Number	Name	Quantity
44	31615	-> 55491	1,000
45	35082	RIGHT KEY	1,000
46	35083	LEFT KEY	1,000
47	35103	SLEEVE 8/10/07	1,000
48	35107	AXLE	1,000
49	40173	ADJUST - SPRING.	1,000
50	71018	V3,2 SPLIT PIN	1,000
51	71023	SCREW HM 6X50	1,000
52	71201	NUT M6	1,000
53	71077	YOKE DIN 71751 8X32	1,000
54	71094	WASHER 6,4	1,000
55	37996	SCREW HM5-16 8.8	1,000
56	71112	DIA.4X18 STAR RIVET	1,000
57	71169	STUD 8X32	1,000
58	71187	WASHER A 8,4	1,000
59	71188	PIN 4-26	1,000
60	71273	SCREW H M8X25	1,000
61	71336	WASHER 13X20X2	1,000
62	71337	SCREW M6X45 4.8	1,000
63	30457	GBX J.BAG OF GASKET	1,000
64	20571	SCREW M6 X 50	1,000
65	21687	HEXAGON SCREW,DIN 9	1,000

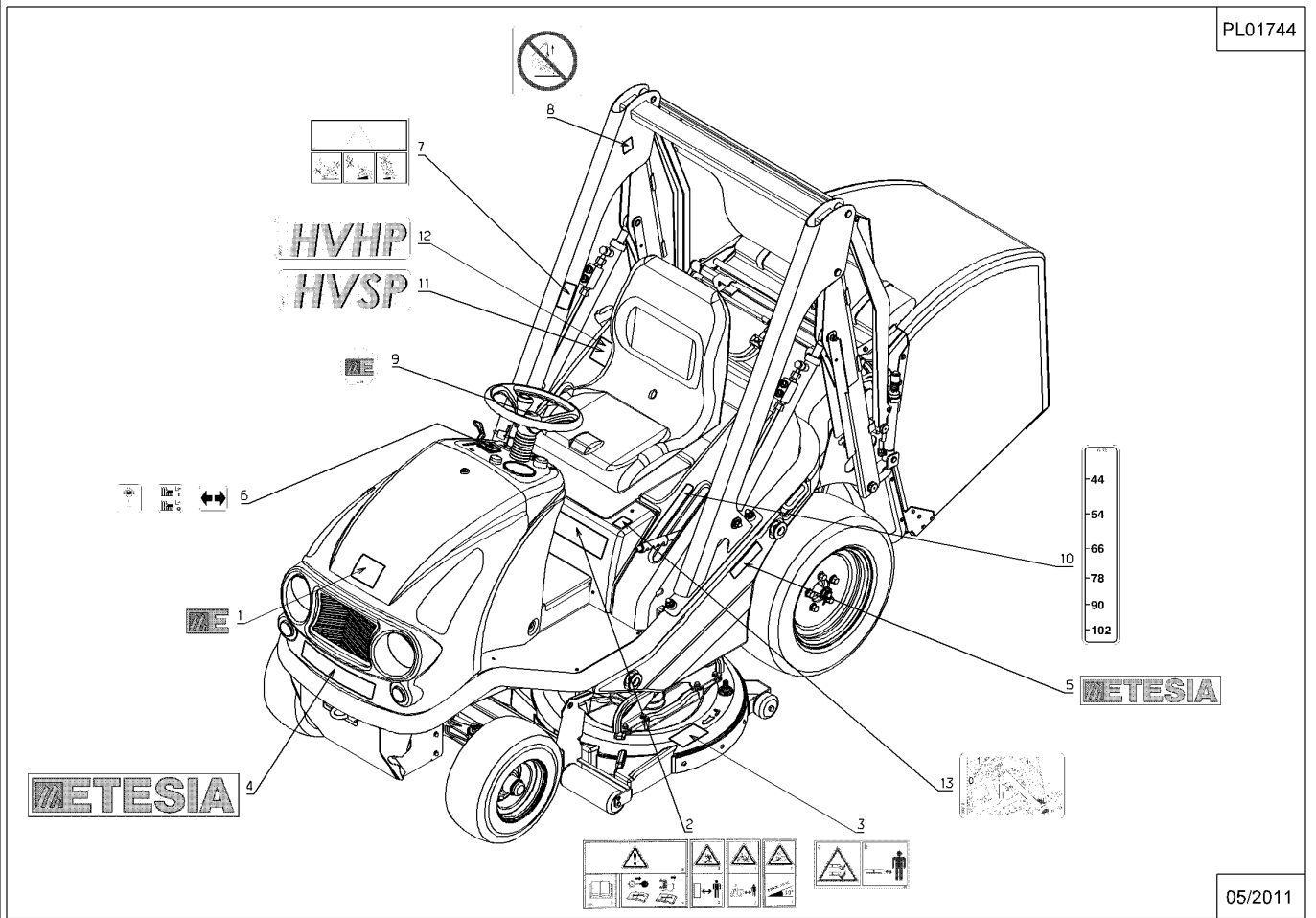
PL01111



04/2011

Number	Part Number	Name	Quantity
1	12047	STICKER ETESIA	1,000
2	13021	STICKER	1,000
3	13062	STICKER CUT-DECK	1,000
4	13085	STICKER ETESIA	1,000
5	13086	STICKER ETESIA	1,000
6	13128	DIAGRAM LABEL	1,000
7	13176	OVERTURNING LABEL	1,000
8	13177	LIFTING LABEL	1,000
9	25330	BADGE - ETESIA	1,000
10	35172	CUTT.HEIGHT STICKER	1,000
11	38642	STICKER HVSP	1,000
12	38643	STICKER HVHP	1,000
13	39349	STICKER BY PASS	1,000
14	39655	STICKER HVHPX	1,000
15	37338	STICKER	1,000
16	38038	STICKER 4X4	1,000

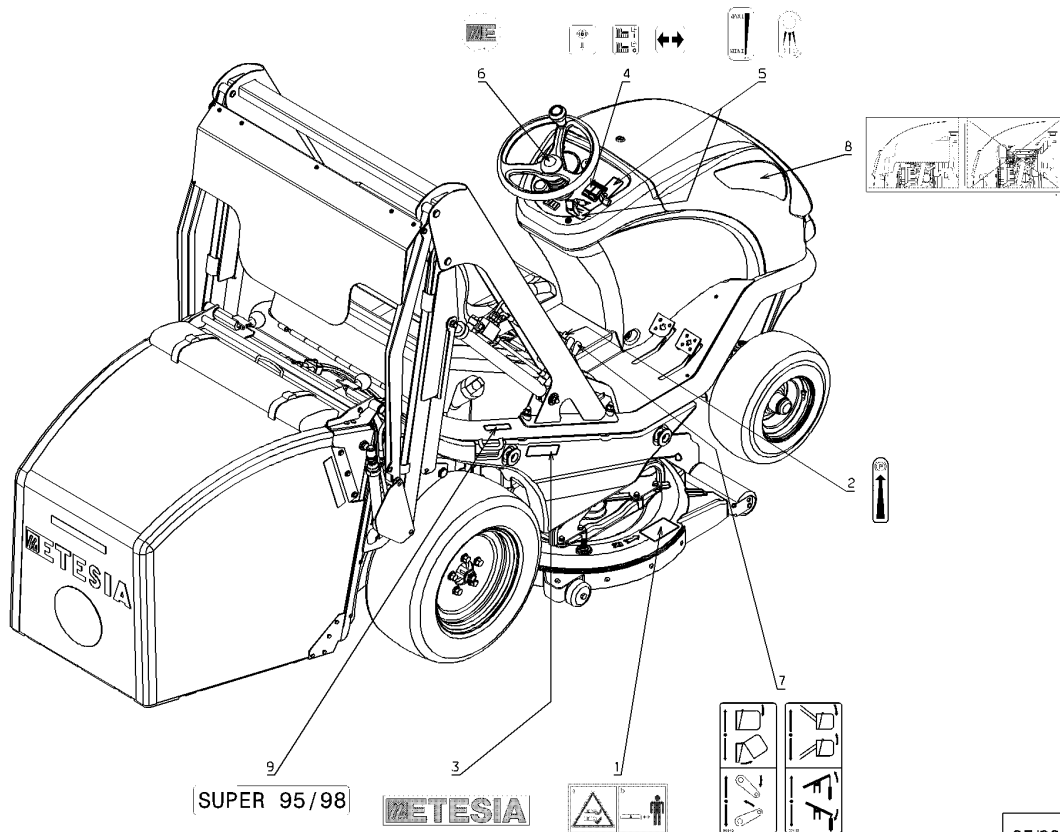
PL01744



05/2011

Number	Part Number	Name	Quantity
1	13062	STICKER CUT-DECK	1,000
2	13074	STCKER PARKG BRAKE	1,000
3	13086	STICKER ETESIA	1,000
4	13128	DIAGRAM LABEL	1,000
5	13232	GAZ THROTTL.STICKER	1,000
6	25330	BADGE - ETESIA	1,000
7	35445	DISTRIBUTOR STICKER	1,000
8	36195	STICKER	1,000
9	39372	STICKER SUPER 95/98	1,000
10	37337	STICKER RIGHT	1,000

PL01745



05/2011