

PARTS LIST

HT239D

CONTENTS

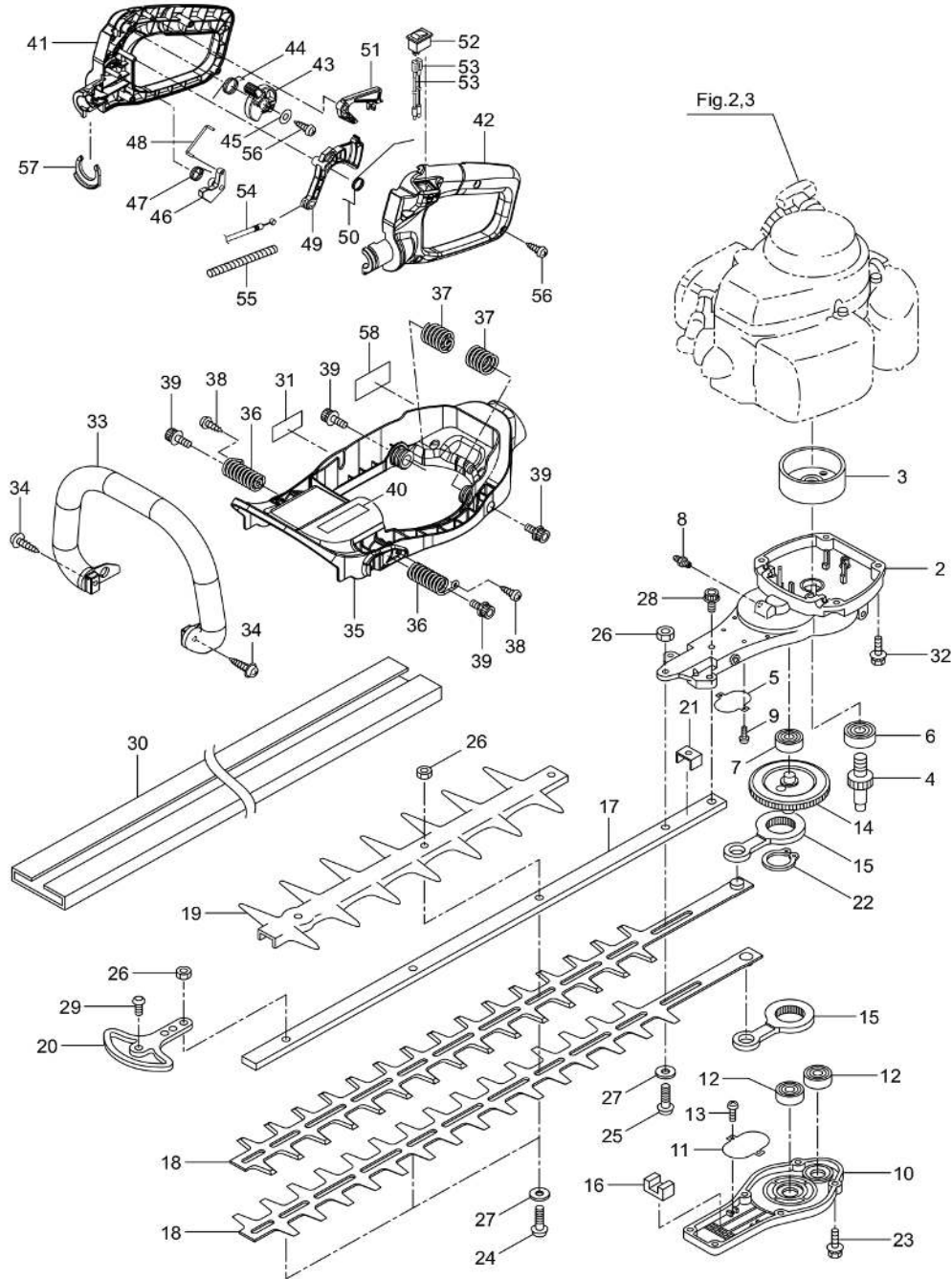
| | |
|--------------------------------|---------|
| 1. MAIN BODY | 1 ~ 4 |
| 2. ENGINE | 5 ~ 8 |
| 3. CARBURETOR, FUEL TANK | 9 ~ 12 |
| 4. ACCESSORIES | 13 ~ 14 |

2018. 12.



P/N 524569-2

1. HT239D
MAIN BODY



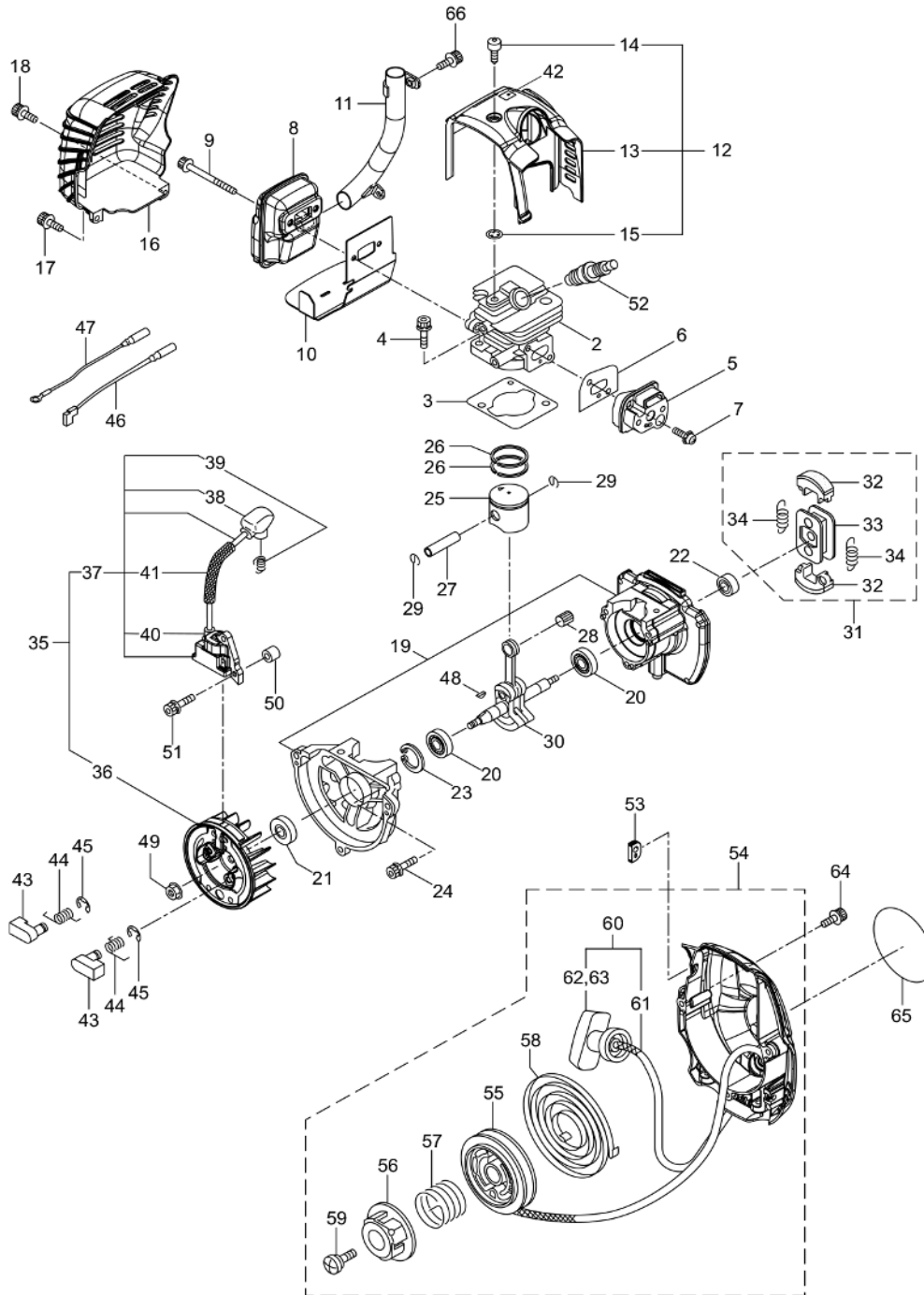
- 1 -

1

| Status | Position | Parts Number | Parts Name | Unit Quantity | Set Unit Quantity | Remarks |
|--------|----------|--------------|------------------|---------------|-------------------|-----------|
| | 1 | 362442 | HT239D(EU01) | 1 | | |
| | 2 | 279432 | UPPER CASE | 1 | | |
| | 3 | 270021 | CLUTCH DRUM | 1 | | |
| | 4 | 271473 | PINION GEAR | 1 | | |
| | 5 | 271474 | PLATE | 1 | | |
| | 6 | 580767 | BEARING 6001 2RS | 1 | | #6001 2RS |
| | 7 | 270423 | BEARING 608ZZ | 1 | | |

| Status | Position | Parts Number | Parts Name | Unit Quantity | Set Unit Quantity | Remarks |
|--------|----------|--------------|----------------|---------------|-------------------|-------------|
| | 8 | 991937 | GREASE NIPPLE | 1 | | M6 |
| | 9 | 991924 | SCREW M3X5 | 2 | 10 | M3x5 |
| | 10 | 271475 | LOWER CASE | 1 | | |
| | 11 | 271474 | PLATE | 1 | | |
| | 12 | 270423 | BEARING 608ZZ | 2 | | |
| | 13 | 991924 | SCREW M3X5 | 2 | 10 | M3x5 |
| | 14 | 271465 | CRANK COMPLETE | 1 | | |
| | 15 | 271466 | ROD | 2 | | |
| | 16 | 270567 | FELT | 1 | | |
| | 17 | 271467 | GUIDE PLATE | 1 | | |
| | 18 | 278703 | BLADE | 2 | | |
| | 19 | 274877 | BLADE GUARD W | 1 | | |
| | 20 | 278720 | CHIP GUARD | 1 | | |
| | 21 | 270757 | PLATE | 1 | | |
| | 22 | 580777 | SNAP RING | 1 | 5 | #26 |
| | 23 | 271910 | SCREW | 6 | | |
| | 24 | 991914 | SCREW | 3 | | |
| | 25 | 271229 | SCREW | 1 | | |
| | 26 | 991941 | U-NUT | 4 | 5 | M6 |
| | 27 | 991913 | WASHER | 4 | 10 | |
| | 28 | 272282 | SCREW | 1 | | |
| | 29 | 278721 | SCREW | 1 | | |
| | 30 | 217677 | COVER OF BLADE | 1 | | |
| | 31 | 270566 | LABEL | 1 | | |
| | 32 | 271908 | SCREW | 4 | | |
| | 33 | 279051 | FRONT HANDLE | 1 | | |
| | 34 | 285665 | SCREW | 2 | 5 | M5x30 |
| | 35 | 279106 | FRAME COMP | 1 | | |
| | 36 | 279053 | SPRING F | 2 | | |
| | 37 | 279054 | SPRING R | 2 | | |
| | 38 | 285631 | SCREW M4X16 | 2 | 5 | M4x16 |
| | 39 | 261762 | SCREW | 4 | | M5x14 |
| | 40 | 266959 | LABEL | 1 | | Caution |
| | 41 | 279047 | REAR HANDLE R | 1 | | |
| | 42 | 279048 | REAR HANDLE L | 1 | | |
| | 43 | 279042 | LOTATION LEVER | 1 | | |
| | 44 | 279043 | SPRING | 1 | | |
| | 45 | 279954 | WASHER | 1 | | 4.5x13xt1.0 |
| | 46 | 279044 | LOCK LEVER | 1 | | |
| | 47 | 279045 | SPRING | 1 | | |
| | 48 | 279046 | ROD | 1 | | |
| | 49 | 279039 | THROTTLE LEVER | 1 | | |
| | 50 | 279040 | SPRING | 1 | | |
| | 51 | 279041 | SAFETY LEVER | 1 | | |
| | 52 | 236722 | STOP SWITCH | 1 | | |
| | 53 | 279037 | LEAD | 2 | | |
| | 54 | 279035 | CABLE COMP. | 1 | | |
| | 55 | 279570 | TUBE | 1 | | 230L |
| | 56 | 285631 | SCREW M4X16 | 5 | 5 | M4x16 |
| | 57 | 279038 | CLIP | 1 | | |
| | 58 | 266957 | LABEL | 1 | | |

2. HT239D
ENGINE



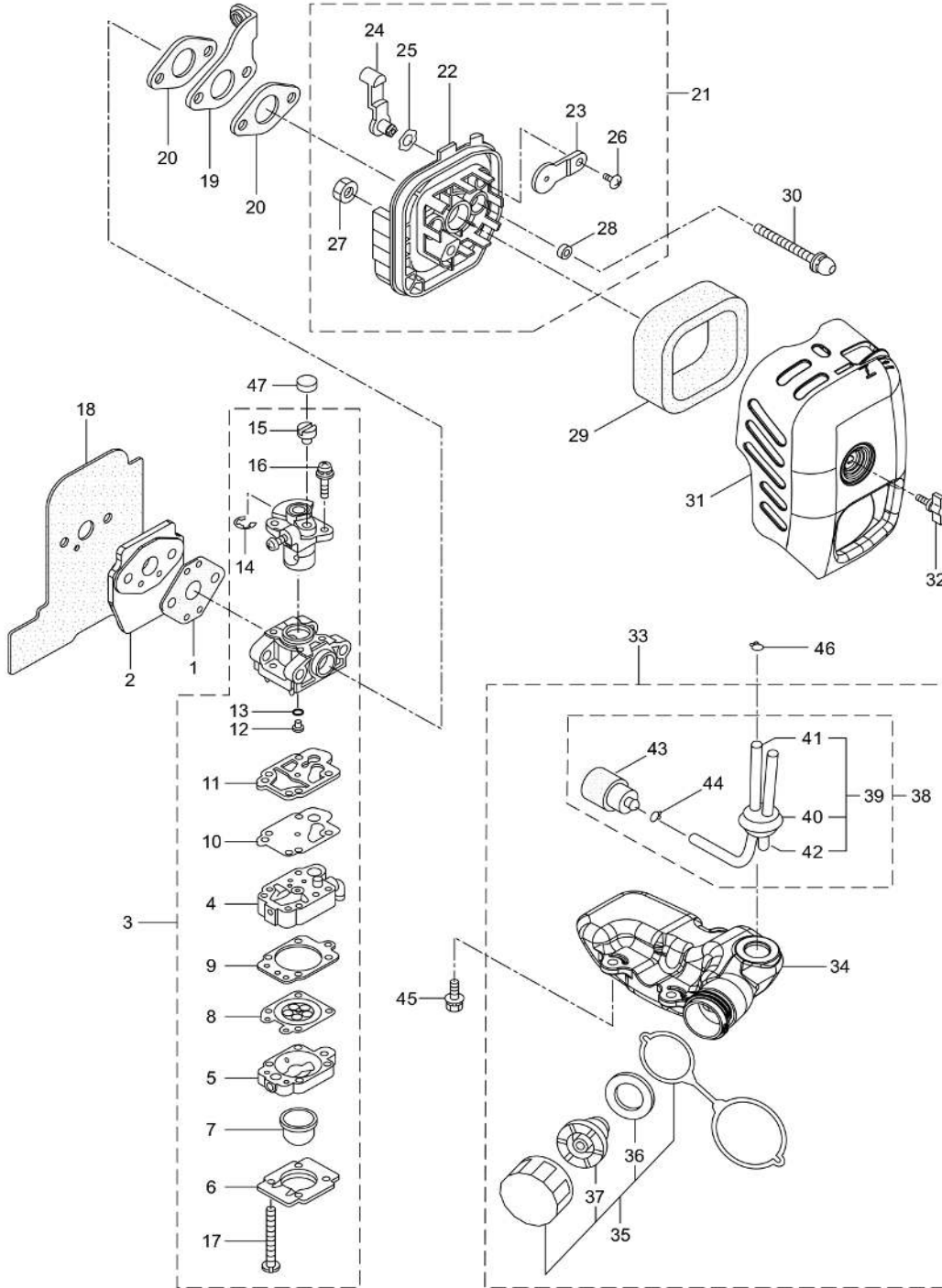
- 5 -

1

| Status | Position | Parts Number | Parts Name | Unit Quantity | Set Unit Quantity | Remarks |
|--------|----------|--------------|------------|---------------|-------------------|---------------------|
| | 1 | 875180 | HE232/07 | 1 | | HE232/07 |
| | 2 | 278641 | CYLINDER | 1 | | |
| | 3 | 289643 | GASKET | 1 | | |
| | 4 | 267290 | CAP SCREW | 2 | 5 | M5x20 |
| | 5 | 272744 | INSULATOR | 1 | | New gasket required |
| | 6 | 267049 | GASKET | 1 | 5 | |
| | 7 | 265924 | CAP SCREW | 2 | 5 | M5x25 |

| Status | Position | Parts Number | Parts Name | Unit Quantity | Set Unit Quantity | Remarks |
|--------|----------|--------------|---------------------|---------------|-------------------|-------------|
| | 8 | 278263 | MUFFLER | 1 | | |
| | 9 | 266402 | CAP SCREW | 2 | 5 | M5x55 |
| | 10 | 246971 | GASKET | 1 | | |
| | 11 | 279055 | TAIL PIPE COMP | 1 | | |
| | 12 | 278288 | CYLINDER COVER | 1 | | Incl.13-15 |
| | 13 | 277793 | CYLINDER COVER | 1 | | |
| | 14 | 286399 | BOLT | 1 | | M5 |
| | 15 | 286270 | WASHER | 1 | | M5 |
| | 16 | 279059 | MUFFLER COVER COMP | 1 | | |
| | 17 | 261607 | CAP SCREW | 1 | 5 | M5x16 |
| | 18 | 267191 | CAP SCREW | 1 | 5 | M5x16 |
| | 19 | 278208 | CRANK CASE | 1 | | |
| | 20 | 261181 | BEARING 6000C3 | 2 | | #6000C3 |
| | 21 | 277906 | OIL SEAL | 1 | | TC10267 |
| | 22 | 277909 | OIL SEAL | 1 | | TC10207 |
| | 23 | 054676 | RING SNAP | 1 | 5 | #26 |
| | 24 | 261246 | CAP SCREW | 3 | 5 | M5x25 |
| | 25 | 272204 | PISTON | 1 | | |
| | 26 | 264891 | PISTON RING | 2 | | (2)required |
| | 27 | 261036 | PISTON PIN | 1 | | |
| | 28 | 288520 | NEEDLE BEARING | 1 | | |
| | 29 | 261576 | CLIP PISTON | 2 | | |
| | 30 | 283155 | CRANKSHAFT COMPLETE | 1 | | |
| | 31 | 246054 | CLUTCH ASSY | 1 | | Incl.32-34 |
| × | 32 | 246068 | | 2 | | (2)required |
| × | 33 | 246069 | | 1 | | |
| × | 34 | 246070 | SPRING | 2 | | (2)required |
| | 35 | 278161 | MAGNETO | 1 | | Incl.36-41 |
| | 36 | 278176 | ROTOR | 1 | | |
| | 37 | 278293 | IGNITION COIL | 1 | | Incl.38-41 |
| | 38 | 282292 | PLUG CAP | 1 | | |
| | 39 | 261075 | CONNECTOR | 1 | | |
| | 40 | 261072 | CAP | 1 | | |
| | 41 | 280080 | TUBE | 1 | | |
| | 42 | 283526 | LABEL | 1 | | |
| | 43 | 280936 | RACHET | 2 | | |
| | 44 | 280553 | SPRING | 2 | | |
| | 45 | 020299 | E-RING #4 | 2 | 10 | #4 |
| | 46 | 267492 | LEAD | 1 | | 130L |
| | 47 | 284541 | LEAD | 1 | | |
| | 48 | 261076 | WOODRUFF KEY 3X10 | 1 | 5 | 3x10 |
| | 49 | 261077 | NUT | 1 | 5 | M6 |
| | 50 | 280381 | SPACER | 2 | 5 | |
| | 51 | 279850 | SCREW | 2 | | M4x25 |
| | 52 | 288264 | SPARK PLUG | 1 | | BPMR8Y |
| | 53 | 278294 | GROMMET | 1 | | |
| | 54 | 278177 | STARTER ASSY | 1 | | Incl.55-63 |
| | 55 | 286363 | REEL | 1 | | |
| | 56 | 286364 | CAM PLATE | 1 | | |
| | 57 | 283290 | DAMPER SPRING | 1 | | |
| | 58 | 280931 | SPIRAL SPRING | 1 | | |
| | 59 | 267213 | SCREW | 1 | | |
| | 60 | 283291 | ROPE ASSY | 1 | | Incl.61-63 |
| | 61 | 283292 | STARTER ROPE | 1 | | |
| | 62 | 261725 | STARTER GRIP | 1 | | |
| | 63 | 283293 | ROPE STOPPER | 1 | | |
| | 64 | 267290 | CAP SCREW | 3 | 5 | M5x20 |
| | 65 | 279208 | LABEL | 1 | | HT239D |
| | 66 | 261250 | CAP SCREW | 1 | 5 | M5x20 |

3. HT239D
CARBURETOR, FUEL TANK

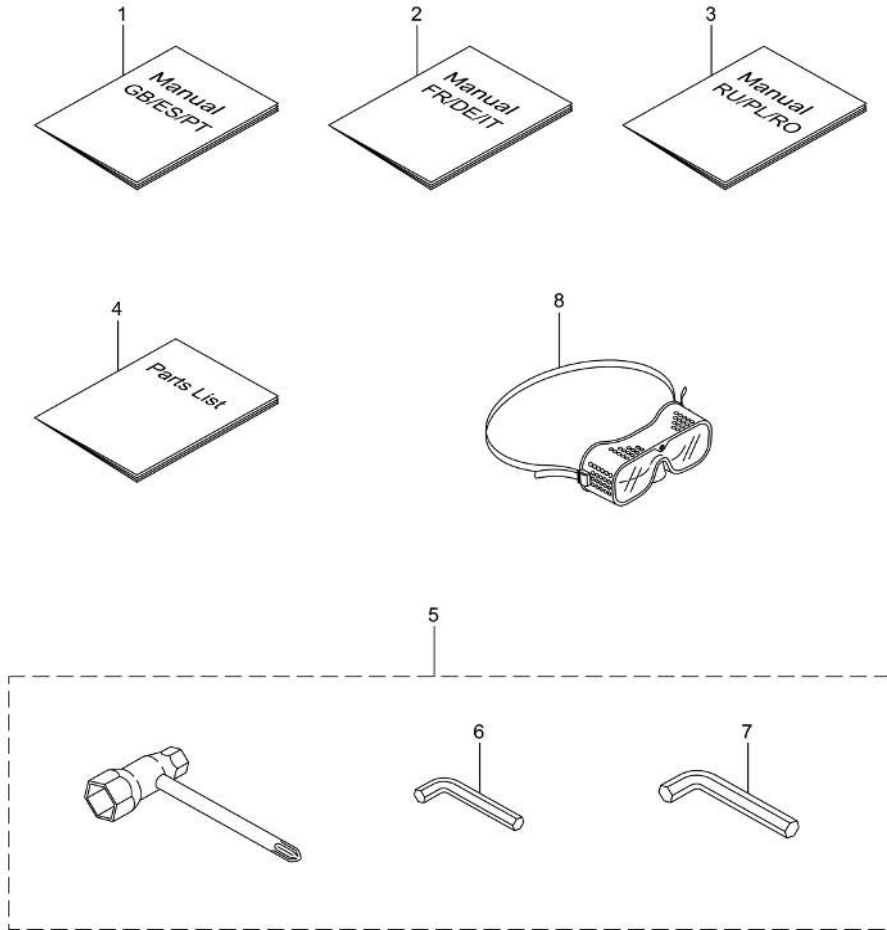


- 9 -

| Status | Position | Parts Number | Parts Name | Unit Quantity | Set Unit Quantity | Remarks |
|--------|----------|--------------|-----------------|---------------|-------------------|-----------|
| | 1 | 261864 | GASKET | 1 | 5 | |
| | 2 | 279050 | DIVIDER | 1 | | |
| | 3 | 278297 | CARBURETOR ASSY | 1 | | Incl.4-17 |
| | 4 | 268499 | CARBURETOR BODY | 1 | | |
| | 5 | 262991 | PURGE BODY | 1 | | |
| | 6 | 262992 | COVER | 1 | | |
| | 7 | 261874 | PRIMER | 1 | | |

| Status | Position | Parts Number | Parts Name | Unit Quantity | Set Unit Quantity | Remarks |
|--------|----------|--------------|---------------------|---------------|-------------------|-------------|
| | 8 | 283905 | DIAPHRAGM METERRING | 1 | | |
| | 9 | 262993 | GASKET | 1 | | |
| | 10 | 262994 | DIAPHRAGM | 1 | | |
| | 11 | 282576 | GASKET | 1 | | |
| | 12 | 289396 | JET | 1 | | |
| | 13 | 261871 | O-RING | 1 | | |
| | 14 | 261876 | RING | 1 | | |
| | 15 | 261658 | SWIVEL | 1 | | |
| | 16 | 264682 | SCREW | 2 | | |
| | 17 | 262996 | SCREW | 4 | 5 | |
| | 18 | 278750 | GASKET | 1 | | |
| | 19 | 283773 | STAY | 1 | | |
| | 20 | 283771 | GASKET | 2 | | |
| | 21 | 289048 | CASE | 1 | | Incl.22-28 |
| | 22 | 269050 | CASE BODY | 1 | | |
| | 23 | 289019 | MACHINED DISC | 1 | | |
| | 24 | 284803 | LEVER | 1 | | |
| | 25 | 284816 | WASHER | 1 | 5 | 6.4x11x0.15 |
| | 26 | 269032 | SCREW | 1 | 5 | |
| | 27 | 126993 | NUT | 1 | 5 | M5 |
| | 28 | 269051 | SLEEVE | 2 | | |
| | 29 | 269030 | ELEMENT | 1 | | |
| | 30 | 280102 | SCREW | 2 | | M5x65 |
| | 31 | 279049 | CLEANER COVER | 1 | | |
| | 32 | 281438 | KNOB | 1 | | |
| | 33 | 278209 | TANK ASSY | 1 | | Incl.34-44 |
| | 34 | 277791 | FUEL TANK | 1 | | |
| | 35 | 283438 | TANK CAP ASSY | 1 | | Incl.36,37 |
| | 36 | 283727 | PACKING | 1 | 5 | |
| | 37 | 283764 | BREATHER ASSY | 1 | | |
| | 38 | 265752 | FUEL PIPE | 1 | | Incl.39-44 |
| | 39 | 264031 | FUEL PIPE ASSY | 1 | | Incl.40-42 |
| | 40 | 261115 | GROMMET | 1 | | |
| | 41 | 261690 | FUEL PIPE | 1 | | 160L |
| | 42 | 263038 | RETURN PIPE | 1 | | 3x6x85L |
| | 43 | 277887 | FILTER ASSY | 1 | | |
| | 44 | 261117 | CLIP | 1 | | |
| | 45 | 269690 | CAP SCREW | 3 | 5 | M5x18 |
| | 46 | 261117 | CLIP | 1 | | |
| | 47 | 280020 | CAP | 1 | 5 | |

4. HT239D
ACCESSORIES



- 13 -

| Status | Position | Parts Number | Parts Name | Unit Quantity | Set Unit Quantity | Remarks |
|--------|----------|--------------|--------------------|---------------|-------------------|----------|
| | 1 | 279225 | INSTRUCTION MANUAL | 1 | | GB/ES/PT |
| | 2 | 279226 | INSTRUCTION MANUAL | 1 | | FR/DE/IT |
| | 3 | 279227 | INSTRUCTION MANUAL | 1 | | RU/PL/RO |
| | 4 | 524569 | PARTS LIST | 1 | | HT239D |
| | 5 | 264606 | TOOL SET | 1 | | Incl.6,7 |
| | 6 | 219431 | SPANNER | 1 | | 3mm |
| | 7 | 219432 | WRENCH | 1 | | 4mm |

| Status | Position | Parts Number | Parts Name | Unit Quantity | Set Unit Quantity | Remarks |
|--------|----------|--------------|------------|---------------|-------------------|---------|
| | 8 | 221460 | GOGGLES | 1 | | |