

195 S (K800 HT - EURO5) Rotary tiller



Documents

Gears

Frame

Unit (Bonnet)

Tiller

Handlebar

Top cover

Crankcase

Crankcase cover

Shaft + piston

Valve

Ignition system

Carburetor

Flywheel and coil

Control lever

Air filter

Muffler

Tank

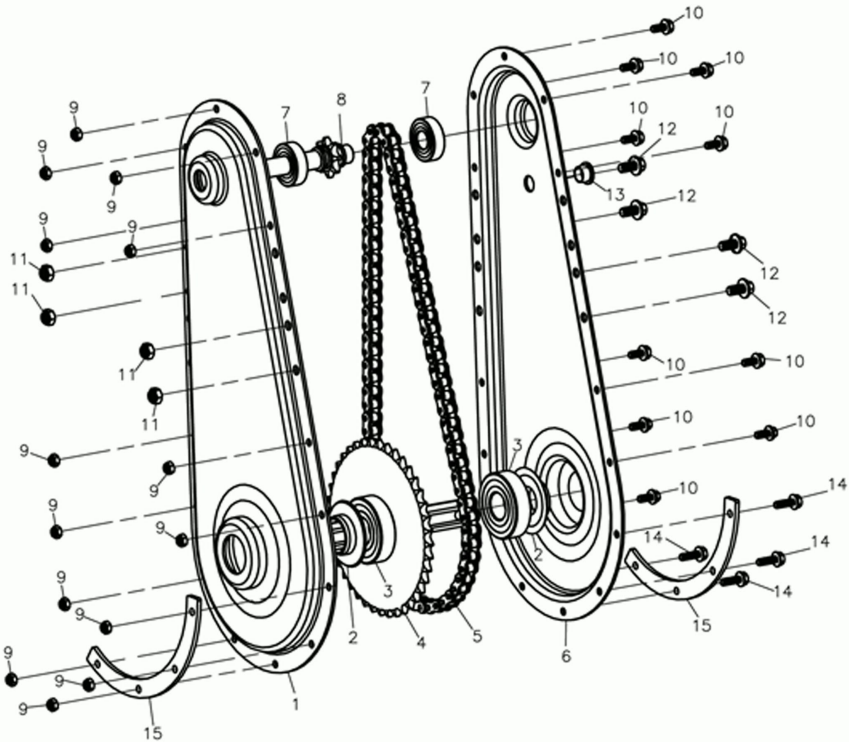


Illustration Gears

| Ref.Nu | Qty | Part number | Description | Validity from | Validity till | Notes | Bulletin |
|--------|-----|-------------|-------------|---------------|---------------|-------|----------|
| 1 | 1 | L66151105 | Case | | | | |
| 2 | 2 | L66151106 | Oil seal | | | | |
| 3 | 2 | L66151107 | Bearing | | | | |
| 4 | 1 | L66151108 | Shaft | | | | |
| 5 | 1 | L66151109 | Chain | | | | |
| 6 | 1 | L66151110 | Case | | | | |
| 7 | 2 | L66151111 | Bearing | | | | |
| 8 | 1 | L66151112 | Gear | | | | |
| 9 | 14 | L66150885 | Nut | | | | |
| 10 | 10 | L66150393 | Screw | | | | |
| 11 | 4 | L66150884 | Nut | | | | |
| 12 | 4 | L66150924 | Bolt | | | | |
| 13 | 1 | L66151113 | Cap | | | | |
| 14 | 4 | L66150456 | Screw | | | | |
| 15 | 2 | L66151114 | Bracket | | | | |

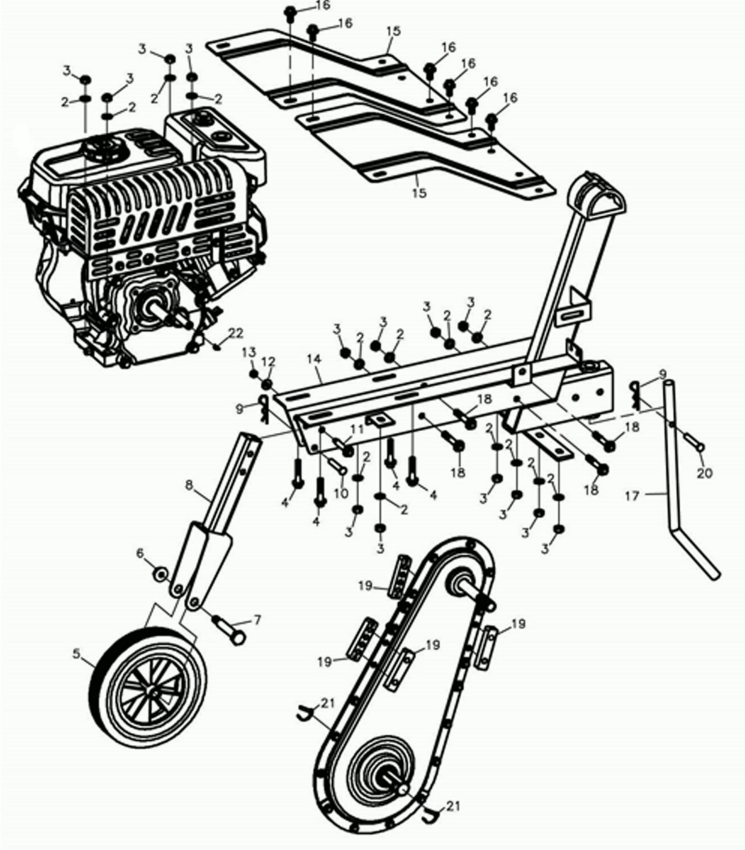


Illustration Frame

| Ref.Nu | Qty | Part number | Description | Validity from | Validity till | Notes | Bulletin |
|--------|-----|-------------|--------------|---------------|---------------|-------|----------|
| 2 | 14 | L66150894 | Washer | | | | |
| 3 | 14 | L66150884 | Nut | | | | |
| 4 | 4 | L66150901 | Bolt | | | | |
| 5 | 1 | L66151115 | Front wheel | | | | |
| 6 | 1 | L66151116 | Nut | | | | |
| 7 | 1 | L66151117 | Pin | | | | |
| 8 | 1 | L66151118 | Fork | | | | |
| 9 | 2 | L66150902 | Pin | | | | |
| 10 | 1 | L66151119 | Pin | | | | |
| 11 | 1 | L66151120 | Bolt | | | | |
| 12 | 1 | L66150922 | Washer | | | | |
| 13 | 1 | L66150885 | Nut | | | | |
| 14 | 1 | L66151121 | Bracket | | | | |
| 15 | 2 | L66151648 | Fender | | | | |
| 16 | 6 | L66150317 | Screw | | | | |
| 17 | 1 | L66151649 | Arm | | | | |
| 18 | 4 | L66150047 | Screw | | | | |
| 19 | 4 | L66151124 | Fixing plate | | | | |
| 20 | 1 | L66151119 | Pin | | | | |
| 21 | 2 | L66150883 | Clip | | | | |
| 22 | 1 | L66151125 | Wrench | | | | |

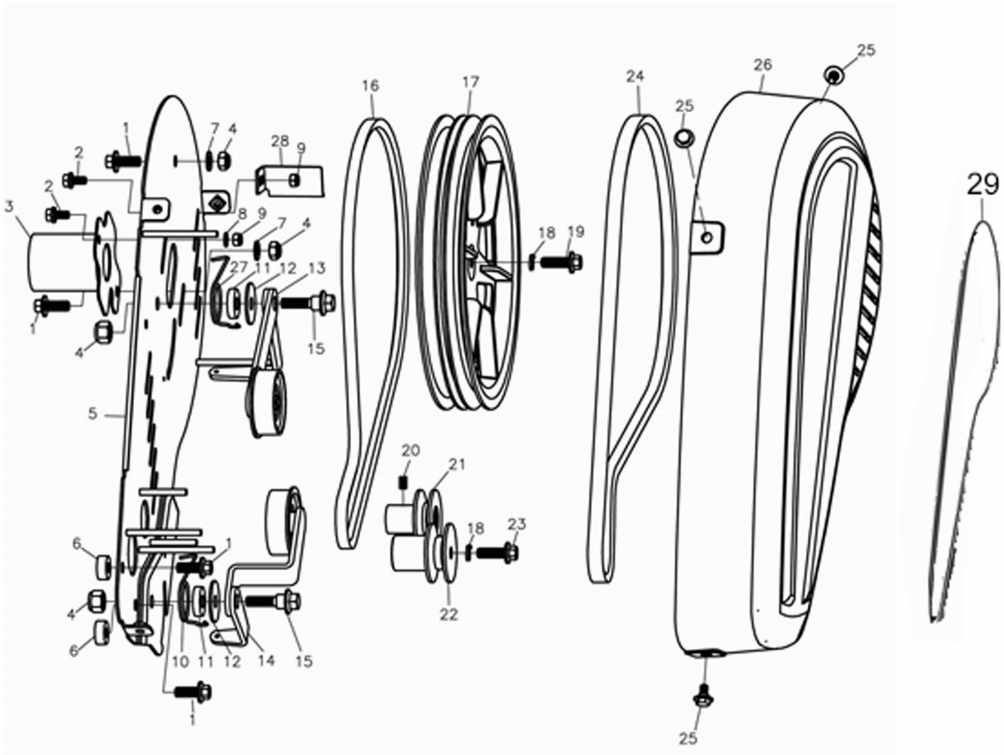


Illustration Unit (Bonnetts)

| Ref.Nu | Qty | Part number | Description | Validity from | Validity till | Notes | Bulletin |
|--------|-----|-------------|--------------|---------------|---------------|----------------------------|----------|
| 1 | 4 | L66150317 | Screw | | | | |
| 2 | 2 | L66150393 | Screw | | | | |
| 3 | 1 | L66151126 | Sleeve | | | | |
| 4 | 4 | L66150884 | Nut | | | | |
| 5 | 1 | L66151127 | Plate | | | | |
| 6 | 2 | L66151128 | Bushing | | | | |
| 7 | 2 | L66150894 | Washer | | | | |
| 8 | 1 | L66150922 | Washer | | | | |
| 9 | 2 | L66150885 | Nut | | | | |
| 10 | 1 | L66151129 | Spring | | | | |
| 11 | 2 | L66151130 | Bushing | | | | |
| 12 | 2 | L66151131 | Washer | | | | |
| 13 | 1 | L66151132 | Strap | | | | |
| 14 | 1 | L66151133 | Strap | | | | |
| 15 | 2 | L66151134 | Bolt | | | | |
| 16 | 1 | L66151135 | Belt | | | Lung./Length = 10 x 955 Li | |
| 17 | 1 | L66151136 | Wheel | | | | |
| 18 | 2 | L66150893 | Grower | | | | |
| 19 | 1 | L66150899 | Bolt | | | | |
| 20 | 1 | L66151137 | Bolt | | | | |
| 21 | 1 | L66151138 | Guide pulley | | | | |
| 22 | 1 | L66151139 | Guide pulley | | | | |
| 23 | 1 | L66151140 | Bolt | | | | |
| 24 | 1 | L66151141 | Belt | | | Lung./Length = 13 x 1065 | |
| 25 | 3 | L66150393 | Screw | | | | |
| 26 | 1 | 68590001R | Belt cover | | | Blu / Blue | |
| 27 | 1 | L66151142 | Spring | | | | |
| 28 | 1 | L66150921 | Plate | | | | |
| 29 | 1 | L66151911 | Label | | | | |

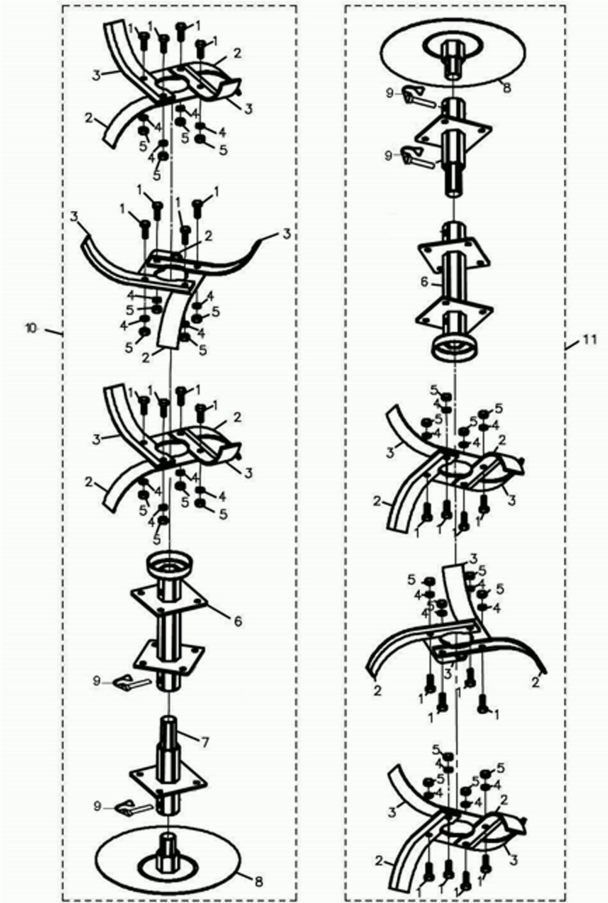


Illustration Tiller

| Ref.Nu | Qty | Part number | Description | Validity from | Validity till | Notes | Bulletin |
|--------|-----|-------------|-------------|---------------|---------------|-------|----------|
| 1 | 24 | L66150973 | Bolt | | | | |
| 2 | 12 | L66150974 | Knife | | | | |
| 3 | 12 | L66150975 | Knife | | | | |
| 4 | 24 | L66150976 | Washer | | | | |
| 5 | 24 | L66150977 | Nut | | | | |
| 6 | 2 | L66151144 | Support | | | | |
| 7 | 2 | L66150979 | Support | | | | |
| 8 | 2 | L66150980 | Disk | | | | |
| 9 | 4 | L66150883 | Clip | | | | |
| 10 | 1 | L66151146 | Cutters kit | | | | |
| 11 | 1 | L66151147 | Cutters kit | | | | |

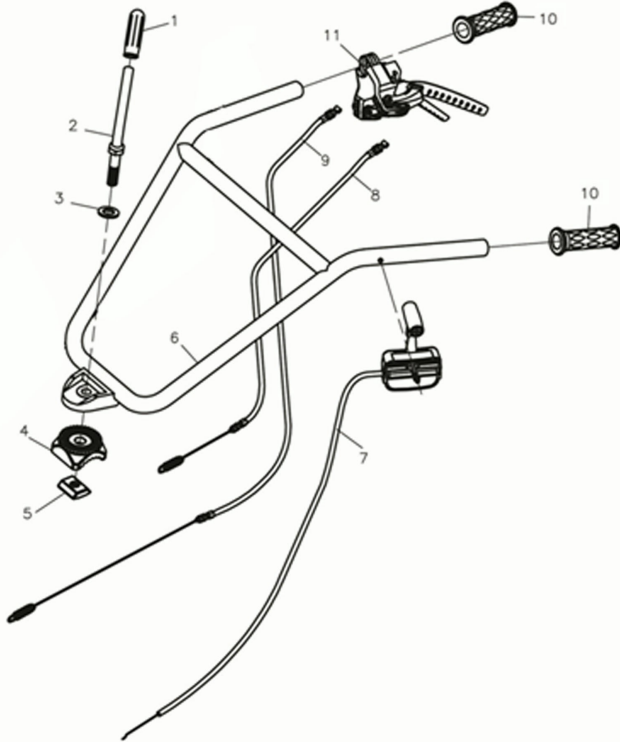


Illustration Handlebar

| Ref.Nu | Qty | Part number | Description | Validity from | Validity till | Notes | Bulletin |
|--------|-----|-------------|----------------|---------------|---------------|-------|----------|
| 1 | 1 | L66151162 | Guard | | | | |
| 2 | 1 | L66151149 | Lever | | | | |
| 3 | 1 | L66151165 | Washer | | | | |
| 4 | 1 | L66151651 | Gear | | | | |
| 5 | 1 | L66151152 | Nut | | | | |
| 6 | 1 | L66151652 | Handlebar | | | | |
| 7 | 1 | L66151653A | Throttle cable | | | | |
| 8 | 1 | L66151155 | Transmission | | | | |
| 9 | 1 | L66151654 | Transmission | | | | |
| 10 | 2 | L66151143 | Knob | | | | |
| 11 | 1 | L66151655 | Lever | | | | |

8*

9●

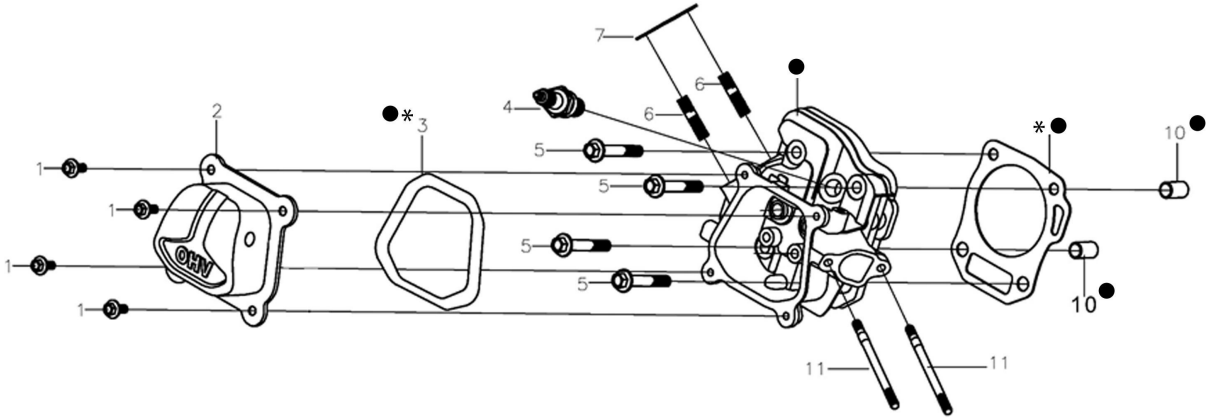
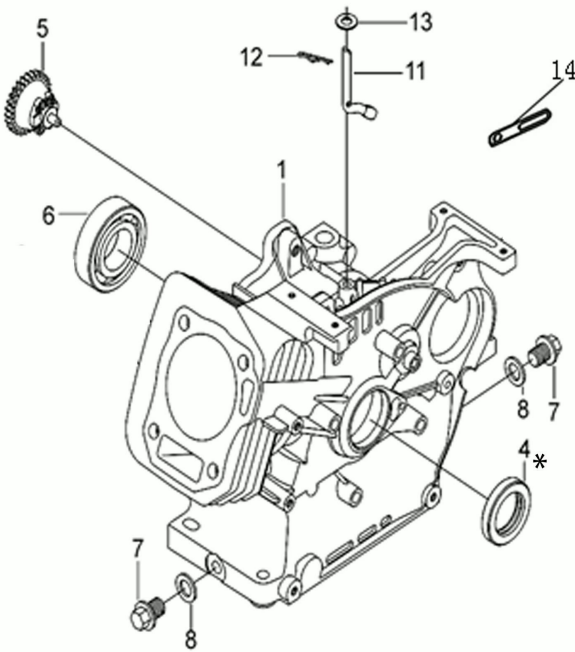


Illustration Top cover

| Ref.Nu | Qty | Part number | Description | Validity from | Validity till | Notes | Bulletin |
|--------|-----|-------------|--------------------|---------------|---------------|-------|----------|
| 1 | 4 | L66150322 | Screw | | | | |
| 2 | 1 | L66150707 | Cover | | | | |
| 3 | 1 | L66150476 | Gasket | | | | |
| 4 | 1 | 3055123R | Spark plug | | | | |
| 5 | 4 | L66150323 | Screw | | | | |
| 6 | 2 | L66150324 | Stud | | | | |
| 7 | 1 | L66150309 | Gasket | | | | |
| 8 | 1 | L66151888 | Gasket set | | | | |
| 9 | 1 | L66151626 | Head comp.cylinder | | | | |
| 10 | 2 | L66150350 | Plug | | | | |
| 11 | 2 | L66150241 | Stud | | | | |



2*

Illustration Crankcase

| Ref.Nu | Qty | Part number | Description | Validity from | Validity till | Notes | Bulletin |
|--------|-----|-------------|-------------|---------------|---------------|-------|----------|
| 1 | 1 | L66151174 | Crankcase | | | | |
| 2 | 1 | L66151888 | Gasket set | | | | |
| 4 | 1 | L66150462 | Gasket | | | | |
| 5 | 1 | L66150304 | Governor | | | | |
| 6 | 1 | L66150355 | Bearing | | | | |
| 7 | 2 | L66150352 | Screw | | | | |
| 8 | 2 | L66150354 | Washer | | | | |
| 11 | 1 | L66150302 | Shaft | | | | |
| 12 | 1 | L66150353 | Pin | | | | |
| 13 | 1 | L66150325 | Washer | | | | |
| 14 | 1 | L66150480 | Cable | | | | |

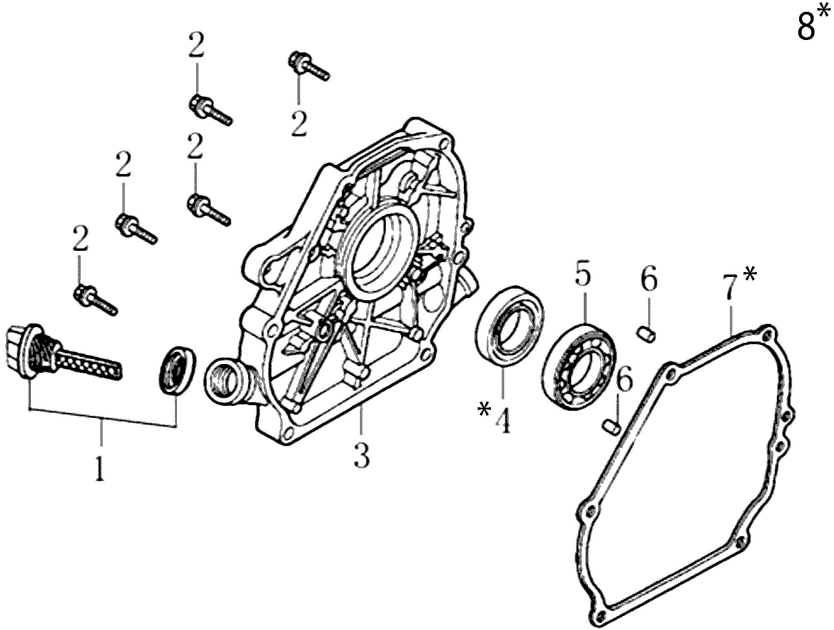


Illustration Crankcase cover

| Ref.Nu | Qty | Part number | Description | Validity from | Validity till | Notes | Bulletin |
|--------|-----|-------------|-----------------|---------------|---------------|-------|----------|
| 1 | 2 | L66151232 | Cap | | | | |
| 2 | 6 | L66150319 | Screw | | | | |
| 3 | 1 | L66151176 | Crankcase cover | | | | |
| 4 | 1 | L66150462 | Gasket | | | | |
| 5 | 1 | L66150355 | Bearing | | | | |
| 6 | 2 | L66150357 | Plug | | | | |
| 7 | 1 | L66151175 | Gasket | | | | |
| 8 | | L66151888 | Gasket set | | | | |

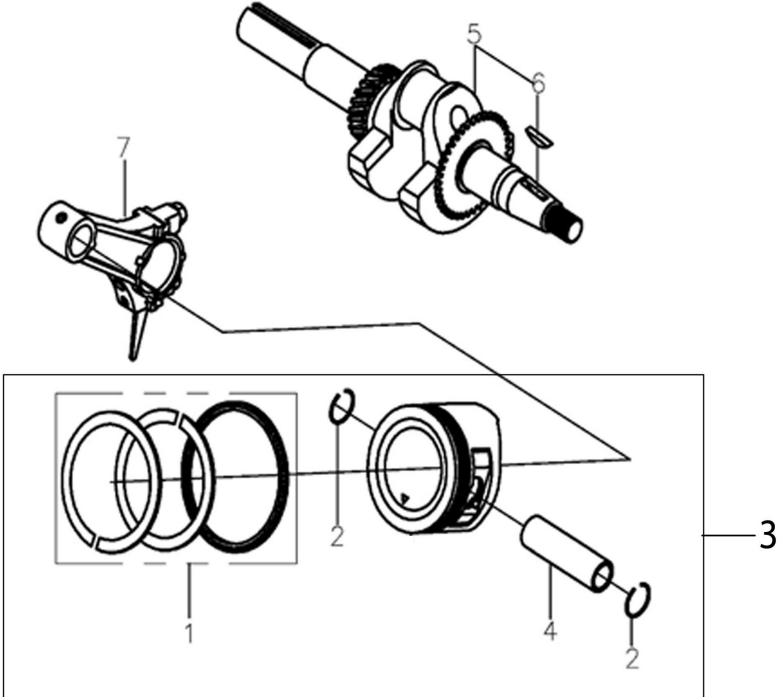


Illustration Shaft + piston

| Ref.Nu | Qty | Part number | Description | Validity from | Validity till | Notes | Bulletin |
|--------|-----|-------------|---------------------|---------------|---------------|-------|----------|
| 1 | 1 | L66151620 | Piston ring set | | | | |
| 2 | 2 | L66150372 | Retainer washer | | | | |
| 3 | 1 | L66151627 | Piston assy | | | | |
| 4 | 1 | L66150342 | Piston pin | | | | |
| 5 | 1 | L66150373 | Shaft (Complete) | | | | |
| 6 | 1 | L66150081 | Key | | | | |
| 7 | 1 | L66150281 | Connecting rod cpl. | | | | |

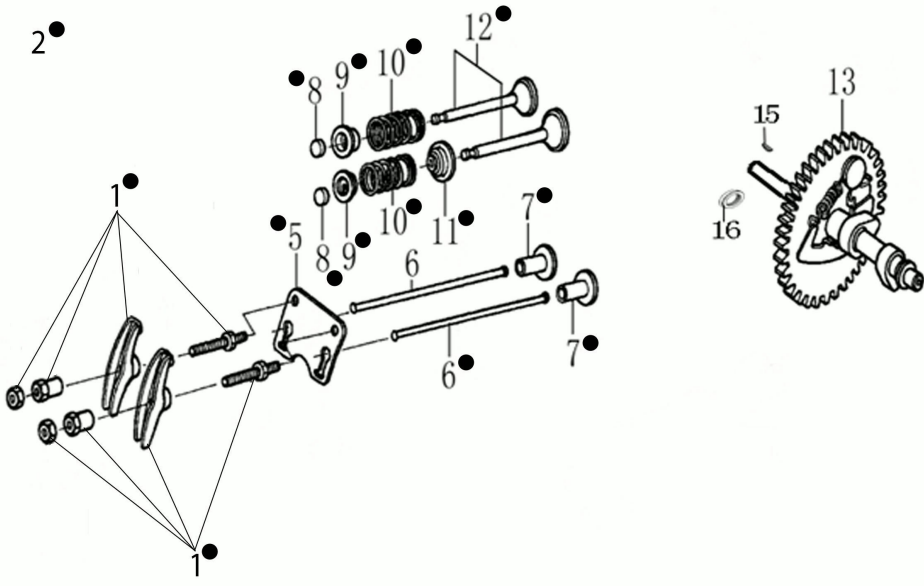


Illustration Valve

| Ref.Nu | Qty | Part number | Description | Validity from | Validity till | Notes | Bulletin |
|--------|-----|-------------|--------------------|---------------|---------------|-------|----------|
| 1 | 2 | L66150368 | Compensator | | | | |
| 2 | 1 | L66151626 | Head comp.cylinder | | | | |
| 5 | 1 | L66150287 | Sheet (Guide) | | | | |
| 6 | 2 | L66150285 | Rod | | | | |
| 7 | 2 | L66150286 | Slide | | | | |
| 8 | 2 | L66150364 | Valve | | | | |
| 9 | 2 | L66150365 | Ring | | | | |
| 10 | 2 | L66150522 | Valves spring | | | | |
| 11 | 1 | L66150367 | Seal | | | | |
| 12 | 1 | L66150523 | Valve | | | | |
| 13 | 1 | L66151628 | Camshaft | | | | |
| 15 | 1 | L66151125 | Wrench | | | | |
| 16 | 1 | L66151178 | Oil seal | | | | |

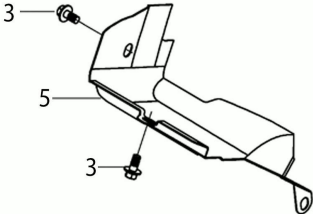
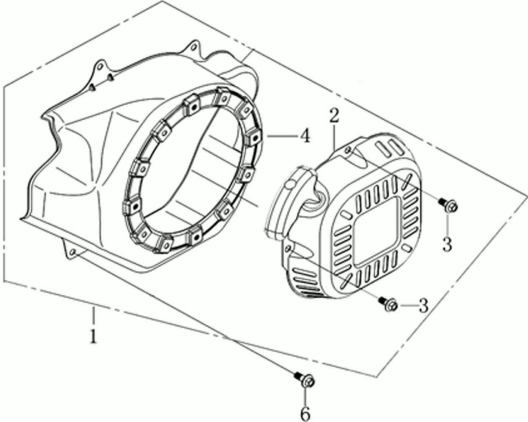


Illustration Ignition system

| Ref.Nu | Qty | Part number | Description | Validity from | Validity till | Notes | Bulletin |
|--------|-----|-------------|----------------|---------------|---------------|-------|----------|
| 1 | 1 | L66150374 | Starter assy | | | | |
| 2 | 1 | L66150329 | Starter assy | | | | |
| 3 | 4 | L66151621 | Screw | | | | |
| 4 | 1 | L66150391 | Hood,fan cover | | | | |
| 5 | 1 | L66150725 | Deflector | | | | |
| 6 | 2 | L66150339 | Screw | | | | |

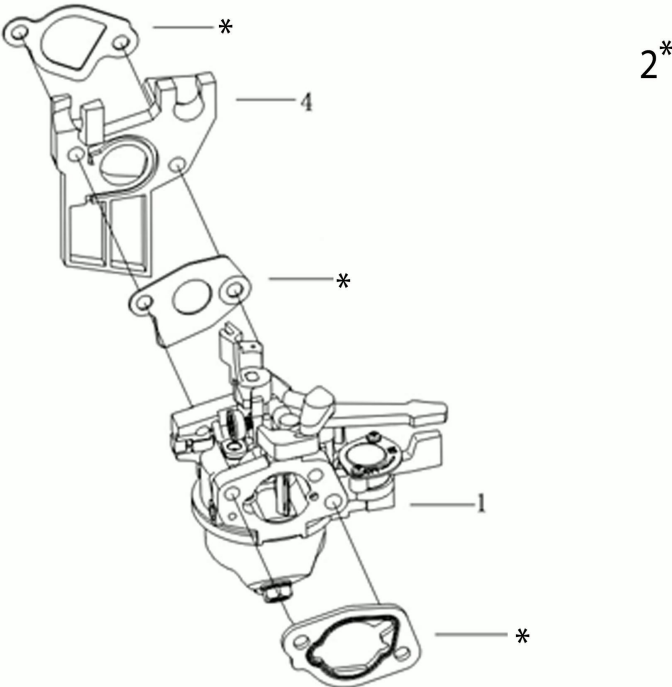


Illustration Carburetor

| Ref.Nu | Qty | Part number | Description | Validity from | Validity till | Notes | Bulletin |
|--------|-----|-------------|-------------|---------------|---------------|-------|----------|
| 1 | 1 | L66151956 | Carburetor | | | | |
| 2 | 1 | L66151888 | Gasket set | | | | |
| 4 | 1 | L66150842 | Insulator | | | | |

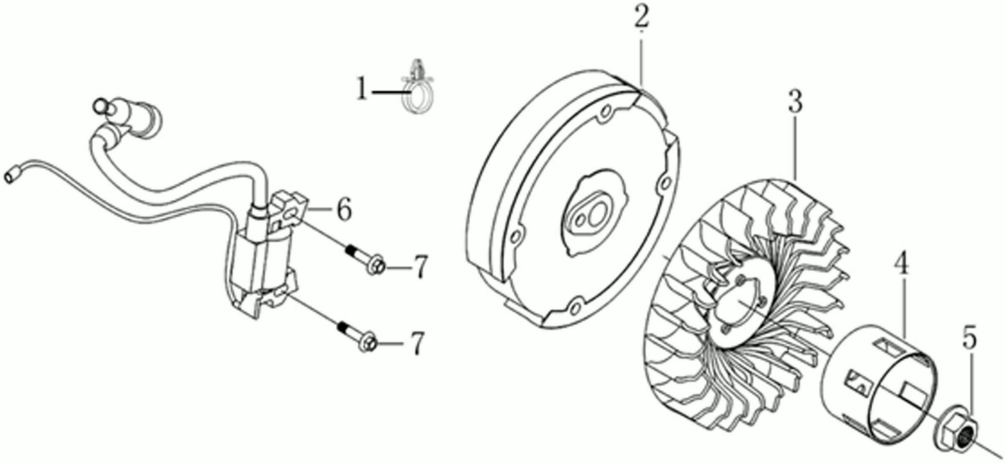


Illustration Flywheel and coil

| Ref.Nu | Qty | Part number | Description | Validity from | Validity till | Notes | Bulletin |
|--------|-----|-------------|---------------|---------------|---------------|-------|----------|
| 1 | 1 | L66150440 | Clip | | | | |
| 2 | 1 | L66150313 | Flywheel | | | | |
| 3 | 1 | L66150288 | Fan | | | | |
| 4 | 1 | L66150312 | Pulley | | | | |
| 5 | 1 | L66150376 | Nut | | | | |
| 6 | 1 | L66151623 | Ignition coil | | | | |
| 7 | 2 | L66150321 | Screw | | | | |

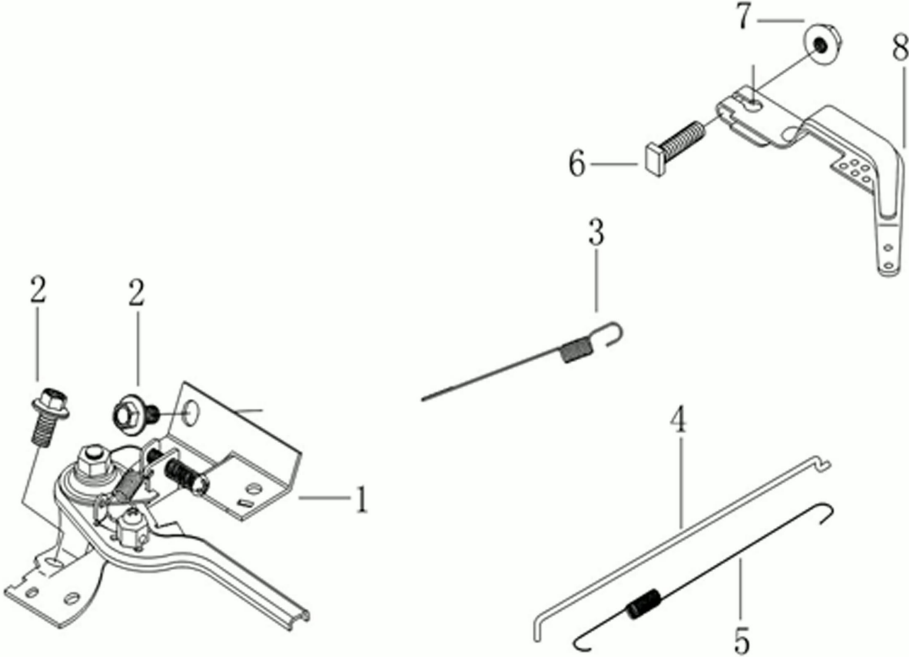


Illustration Control lever

| Ref.Nu | Qty | Part number | Description | Validity from | Validity till | Notes | Bulletin |
|--------|-----|-------------|----------------|---------------|---------------|-------|----------|
| 1 | 1 | L66151252 | Throttle lever | | | | |
| 2 | 2 | L66151169 | Screw | | | | |
| 3 | 1 | L66151253 | Spring | | | | |
| 4 | 1 | L66150298 | Throttle rod | | | | |
| 5 | 1 | L66150300 | Spring | | | | |
| 6 | 1 | L66150382 | Screw | | | | |
| 7 | 1 | 004400959R | Nut | | | | |
| 8 | 1 | L66150843 | Arm | | | | |

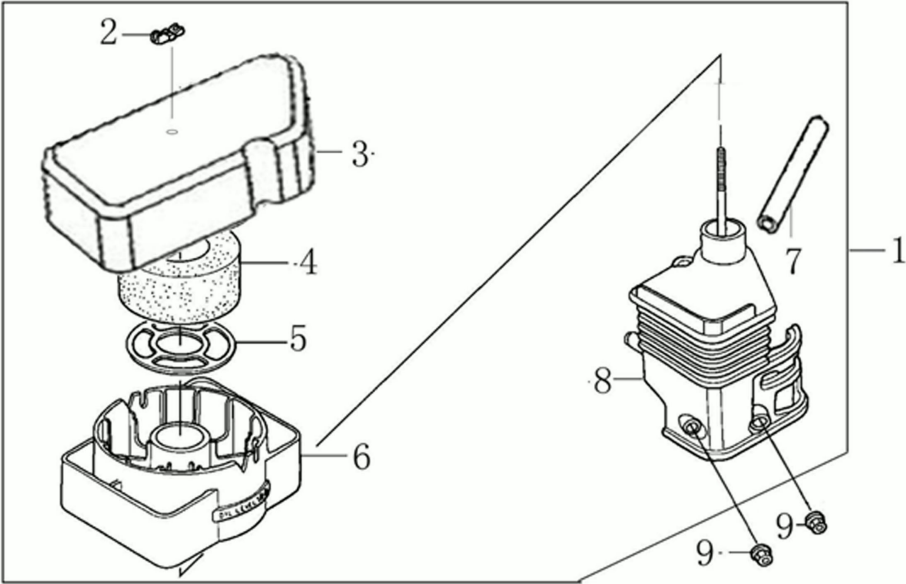


Illustration Air filter

| Ref.Nu | Qty | Part number | Description | Validity from | Validity till | Notes | Bulletin |
|--------|-----|-------------|----------------|---------------|---------------|-------|----------|
| 1 | 1 | L66150307 | Air filter kit | | | | |
| 2 | 1 | L66150384 | Nut | | | | |
| 3 | 1 | L66150385 | Cover | | | | |
| 4 | 1 | L66150387 | Filter | | | | |
| 5 | 1 | L66151177 | Grid | | | | |
| 6 | 1 | L66150389 | Filter support | | | | |
| 7 | 1 | L66150473 | Tube | | | | |
| 8 | 1 | L66150390 | Fitting | | | | |
| 9 | 2 | L66150185 | Nut | | | | |

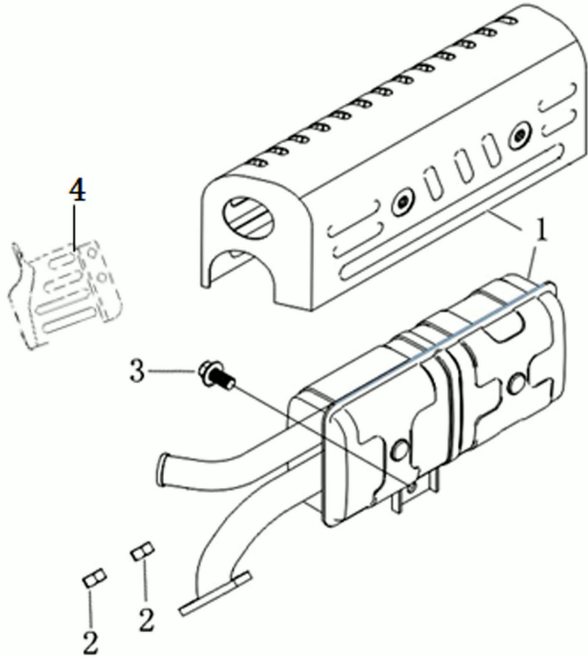


Illustration Muffler

| Ref.Nu | Qty | Part number | Description | Validity from | Validity till | Notes | Bulletin |
|--------|-----|-------------|-------------|---------------|---------------|-------|----------|
| 1 | 1 | L66151170 | Muffler | | | | |
| 2 | 2 | 320000028R | Nut | | | | |
| 3 | 1 | L66150317 | Screw | | | | |
| 4 | 1 | L66150310 | Guard | | | | |

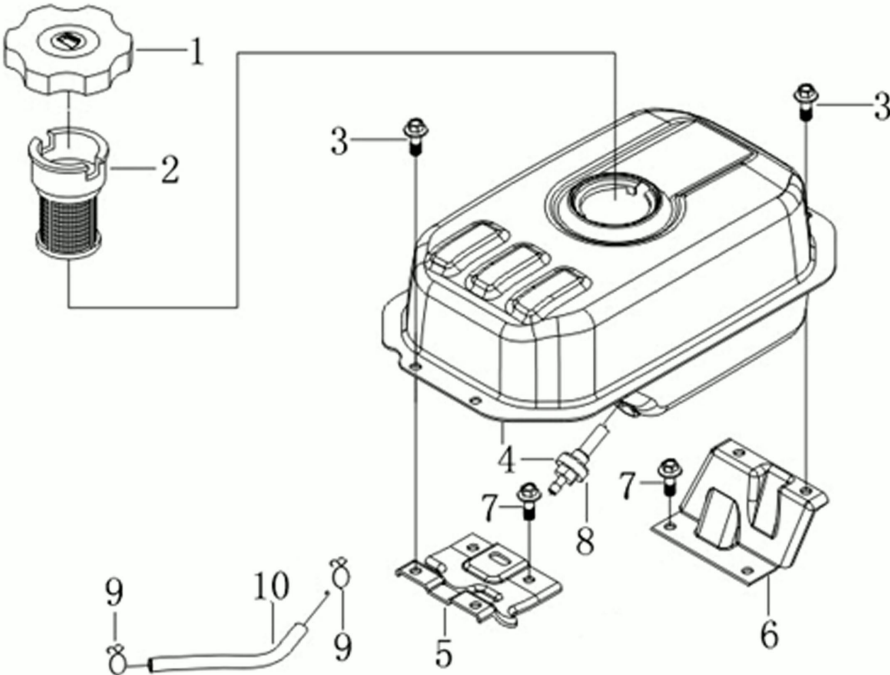


Illustration Tank

| Ref.Nu | Qty | Part number | Description | Validity from | Validity till | Notes | Bulletin |
|--------|-----|-------------|---------------|---------------|---------------|-------|----------|
| 1 | 1 | L66151624 | Tank cap | | | | |
| 2 | 1 | L66150296 | Fuel filter | | | | |
| 3 | 4 | L66150316 | Screw | | | | |
| 4 | 1 | L66151235 | Complete tank | | | | |
| 5 | 1 | L66150305 | Support | | | | |
| 6 | 1 | L66150306 | Support | | | | |
| 7 | 4 | L66150321 | Screw | | | | |
| 8 | 1 | L66150295 | Fitting | | | | |
| 9 | 2 | L66150328 | Band | | | | |
| 10 | 1 | L66151625 | Oil line | | | | |