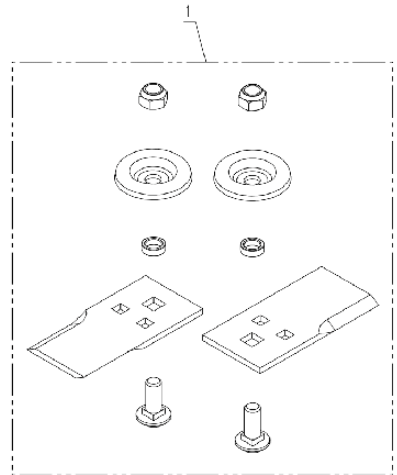
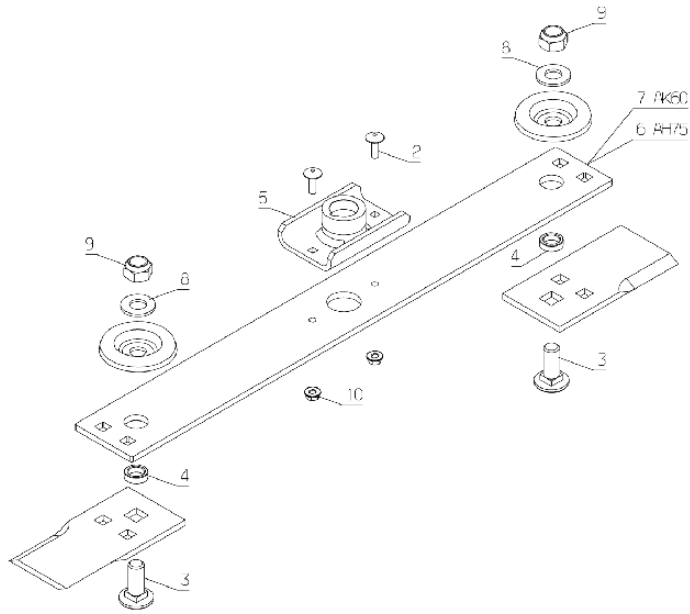


Number	Part Number	Name	Quantity
1	MC85	SWING TIP KIT	1,000
2	5347	SCREW 8X25	1,000
3	27166	SCREW M14X35	1,000
4	27266	KNIFE COLLAR	1,000
5	54924	BLADE COUPLING M8	1,000
6	54930	BLADE BODY 75CM	1,000
7	54931	BLADE BODY 60CM	1,000
8	71034	FLAT WASHER NFE 276	1,000
9	71053	HEXAG.NUT,DIN 985-8	1,000
10	71205	SCREW M8	1,000

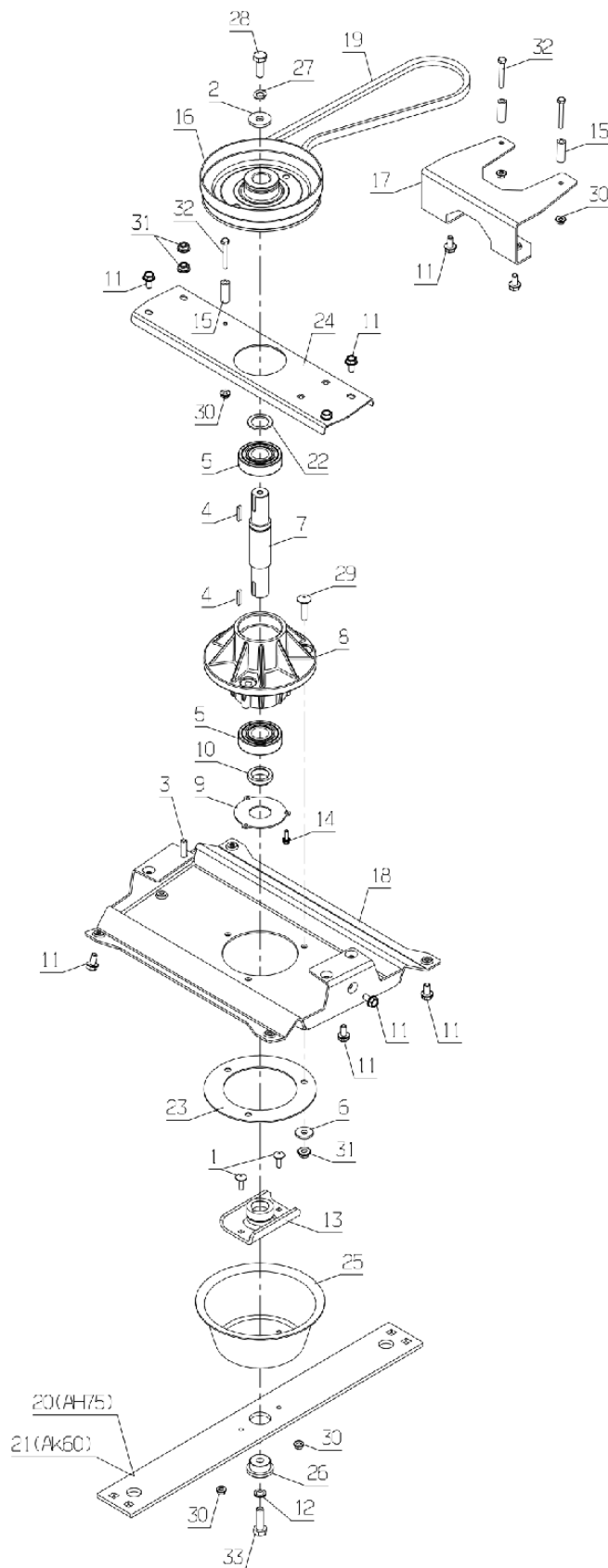
PL02602



05/2019

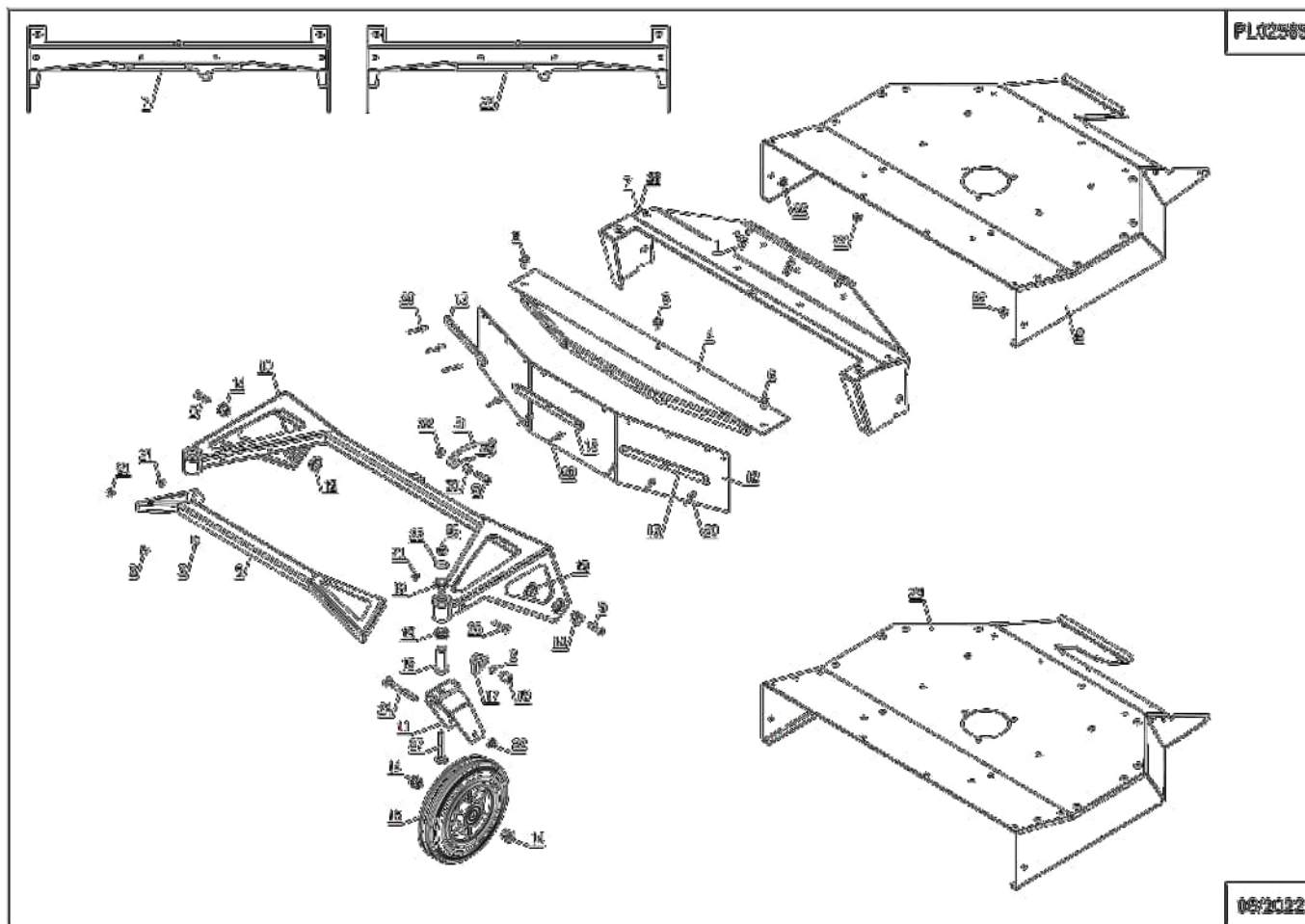
Number	Part Number	Name	Quantity
1	5347	SCREW 8X25	1,000
2	9009	WASHER	1,000
3	9061	BOLT 8X30	1,000
4	20602	KEY 5X5X25	1,000
5	21553	BEARING 6305-2RS	1,000
6	22065	WASHER 25X8,5X3	1,000
7	32315	BLADE SHAFT	1,000
8	32438	BEARING	1,000
9	35748	BEARING PROTECTION	1,000
10	36615	BUSH	1,000
11	37078	SCREW M8X16	1,000
12	37665	WASHER	1,000
13	54924	BLADE COUPLING M8	1,000
14	37996	SCREW HM5-16 8.8	1,000
15	42027	BUSH 12X6,5X32,5	1,000
16	42506	BLADE DRIVE PULLEY	1,000
17	50521	BELT GUIDE	1,000
18	50529	BRACKET	1,000
19	50532	BELT X13 1172	1,000
20	54930	BLADE BODY 75CM	1,000
21	54931	BLADE BODY 60CM	1,000
22	53498	WASHER	1,000
23	53500	PLATE	1,000
24	53501	REINFORCEMENT	1,000
25	54926	PROTECTION M8	1,000
26	53839	BLADE WASHER	1,000
27	71052	SPRING WASHER,DIN 1	1,000
28	71110	HEXAGON SCREW,DIN 9	1,000
29	71118	SCREW 8X35	1,000
30	71205	SCREW M8	1,000
32	71239	HEX.SCREW HM6X45	1,000
33	71242	HEX.SCREW HM10X35	1,000

PL02596



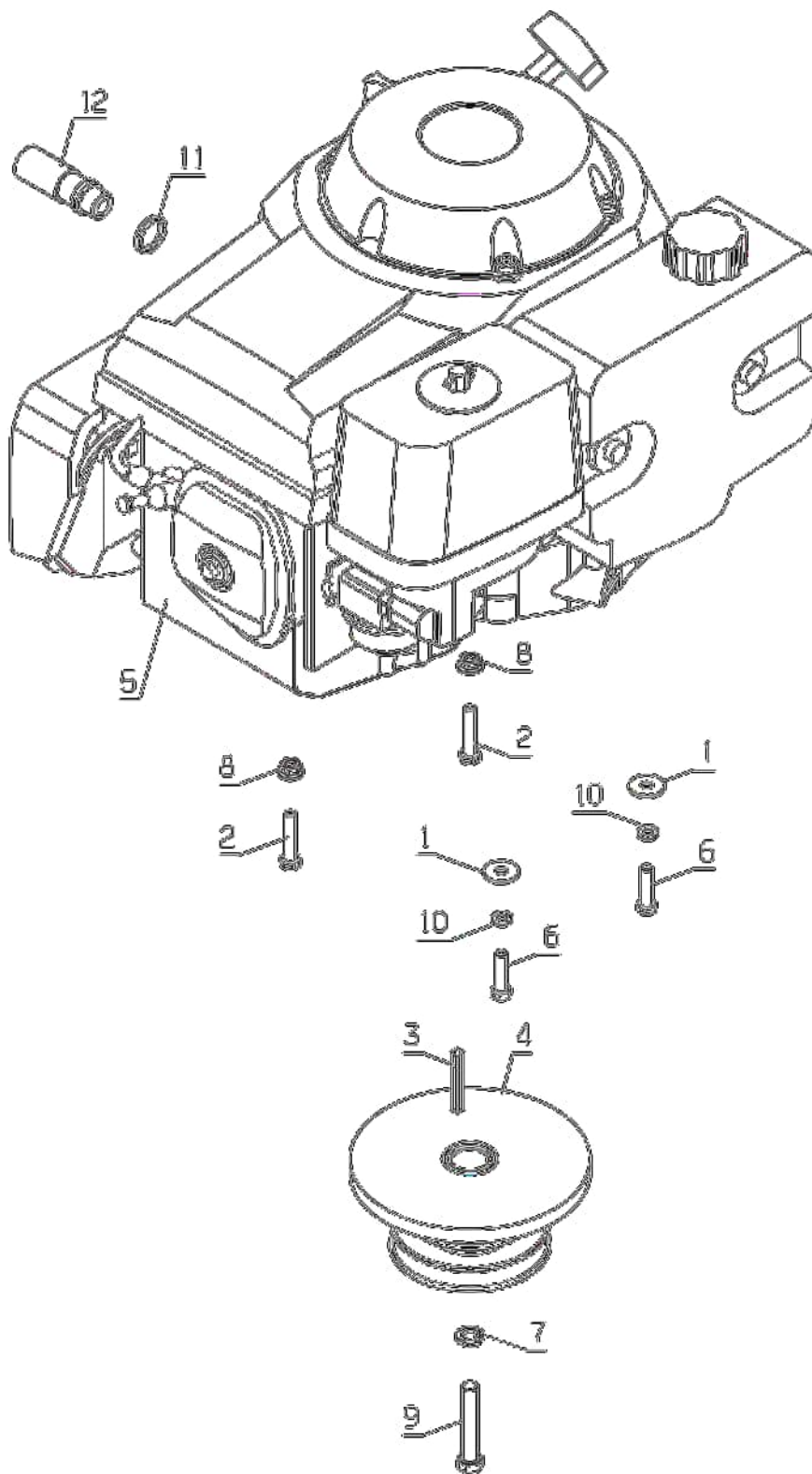
07/2019

Number	Part Number	Name	Quantity
1	9071	SCREW M8X20	1,000
2	20561	CURLED WASHER A10	1,000
3	21608	SCREW 6X16 DIN	1,000
4	35023	FLAPPER BRACKET	1,000
5	35433	SCREW M8-30,8.8	1,000
6	37078	SCREW M8X16	1,000
7	50501	REINFORCEMENT AH75	1,000
8	50701	CUTTING DECK 75CM	1,000
9	52447	FRONT ROLL.BAR	1,000
10	52627	FRONT WHEEL BRACKET	1,000
11	52739	WHEEL BRACKET	1,000
12	52999	RUBBER FLAPPER 75CM	1,000
13	53493	RUBBER FLAPPER FIX.	1,000
14	53497	SHAFT	1,000
15	53510	SHAFT	1,000
16	53511	WHEEL	1,000
17	53512	WHEEL LOCK	1,000
18	53513	WHEEL LOCK SPACER	1,000
19	53556	BEARING BUSH	1,000
20	71112	DIA.4X18 STAR RIVET	1,000
21	71201	NUT M6	1,000
22	71205	SCREW M8	1,000
23	71238	WASHER A10,2	1,000
24	71297	SCREW M8X90 8,8	1,000
25	71360	BOLT M6X40	1,000
26	71374	CAP NUT M10	1,000
27	71445	SCREW J M10-75	1,000
28	54350	FRONT REINFORC. 75	1,000
29	54357	CUTTING DECK	1,000
30	42043	BUSH 15X8,5X10	1,000
31	100068	CUT.HEIG.ADJ.75	1,000



Number	Part Number	Name	Quantity
1	7035	FLAT WASHER	1,000
2	21114	BOLT 8X40	1,000
3	36426	KEY B6.35	1,000
4	50560	DOUBLE PULLEY	1,000
5	53331	ENGINE HONDA GXV390	1,000
6	53549	SCREW	1,000
7	71159	WASHER 7/16"	1,000
8	71205	SCREW M8	1,000
9	71208	SCREW H7/16"20	1,000
10	71343	SPRING WASHER A8	1,000
11	28460	GASKET	1,000
12	28459	OIL DRAIN EXTENSION	1,000

PL02667

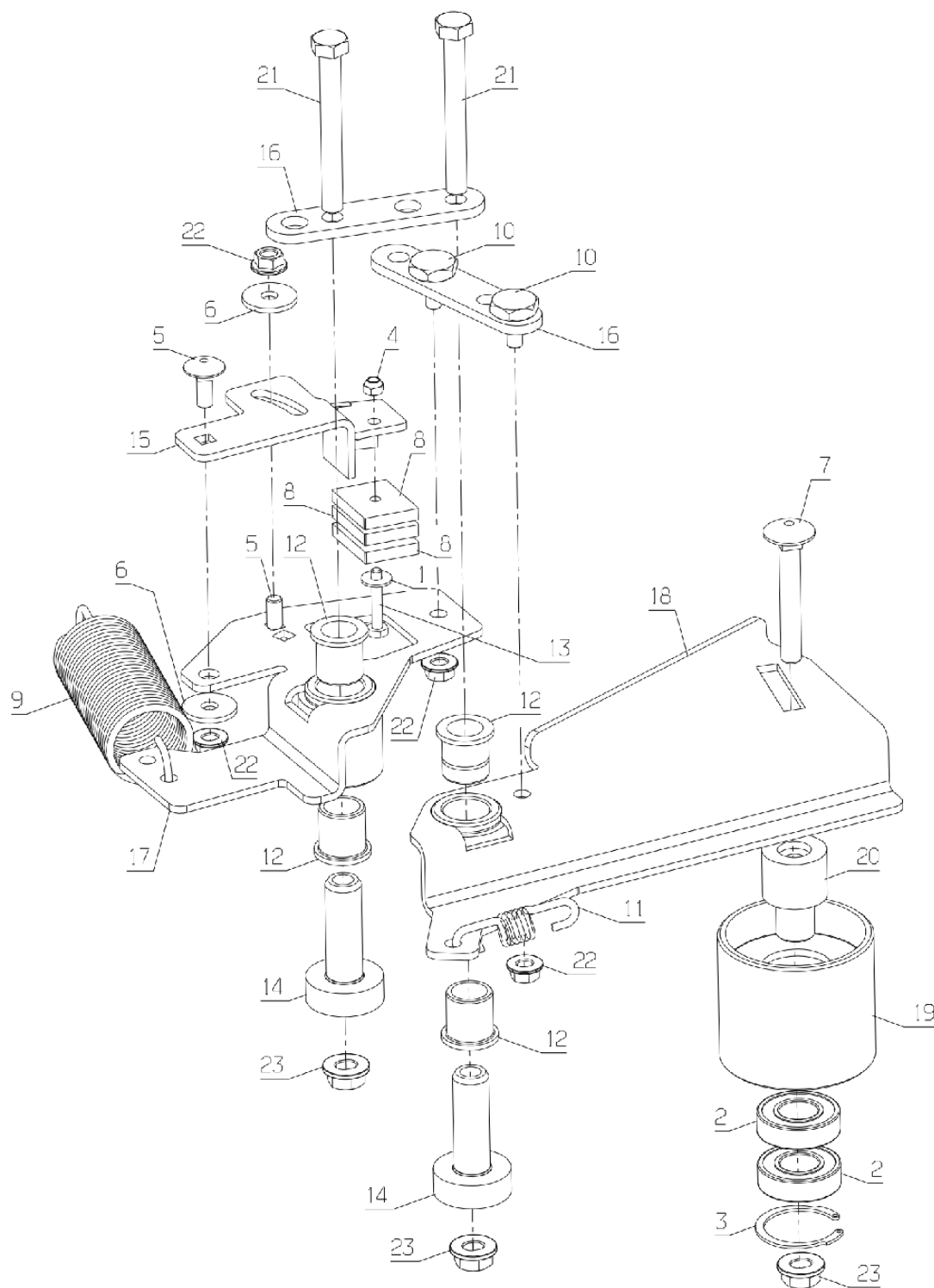


06/2022

Number	Part Number	Name	Quantity
1	20556	PIN 3X15	1,000
2	22029	FLAT WASHER 6,5	1,000
3	24609	SPRING	1,000
4	36793	RUB.FLAP.FIX.PLATE	1,000
5	37078	SCREW M8X16	1,000
6	37997	SCREW HM6-16 8.8	1,000
7	50576	TRANSMISSION COVER	1,000
8	50580	COVER	1,000
9	52453	RUBBER STOP	1,000
10	53441	CIRCLIP 22X1	1,000
11	53442	COVER	1,000
12	53443	REAR REINFORC.	1,000
13	53496	LOCK	1,000
14	53534	CUTTING HGT ADJUST	1,000
15	53775	RUBBER FLAPPER FIX.	1,000
16	54358	FRAME	1,000
17	54494	TRANSMISSION PROT.	1,000
18	54923	REINFORCING PLATE	1,000
19	71075	WASHER	1,000
20	71201	NUT M6	1,000
21	71241	NAIL RIVET 4,8X10,5	1,000
22	71361	SCREW RL X M6X16	1,000
24	53715	RUBBER FLAPPER	1,000

Number	Part Number	Name	Quantity
1	7094	FLAT WASHER	1,000
2	9022	BALL BEARING 6002	1,000
3	21256	CIRCLIP	1,000
4	21525	NUT HM4	1,000
5	21608	SCREW 6X16 DIN	1,000
6	22029	FLAT WASHER 6,5	1,000
7	22031	SCREW 8X55	1,000
8	24835	BRAKE PAD	1,000
9	25425	COMPENSATION SPRING	1,000
10	28137	CATCH BOLT SP.SCREW	1,000
11	29225	BRAKE SPRING	1,000
12	37059	BUSH JFM 141822-20	1,000
13	50005	SCREW HM4-25	1,000
21	71068	HEXAGON SCREW,DIN 9	1,000
22	71201	NUT M6	1,000
23	71205	SCREW M8	1,000

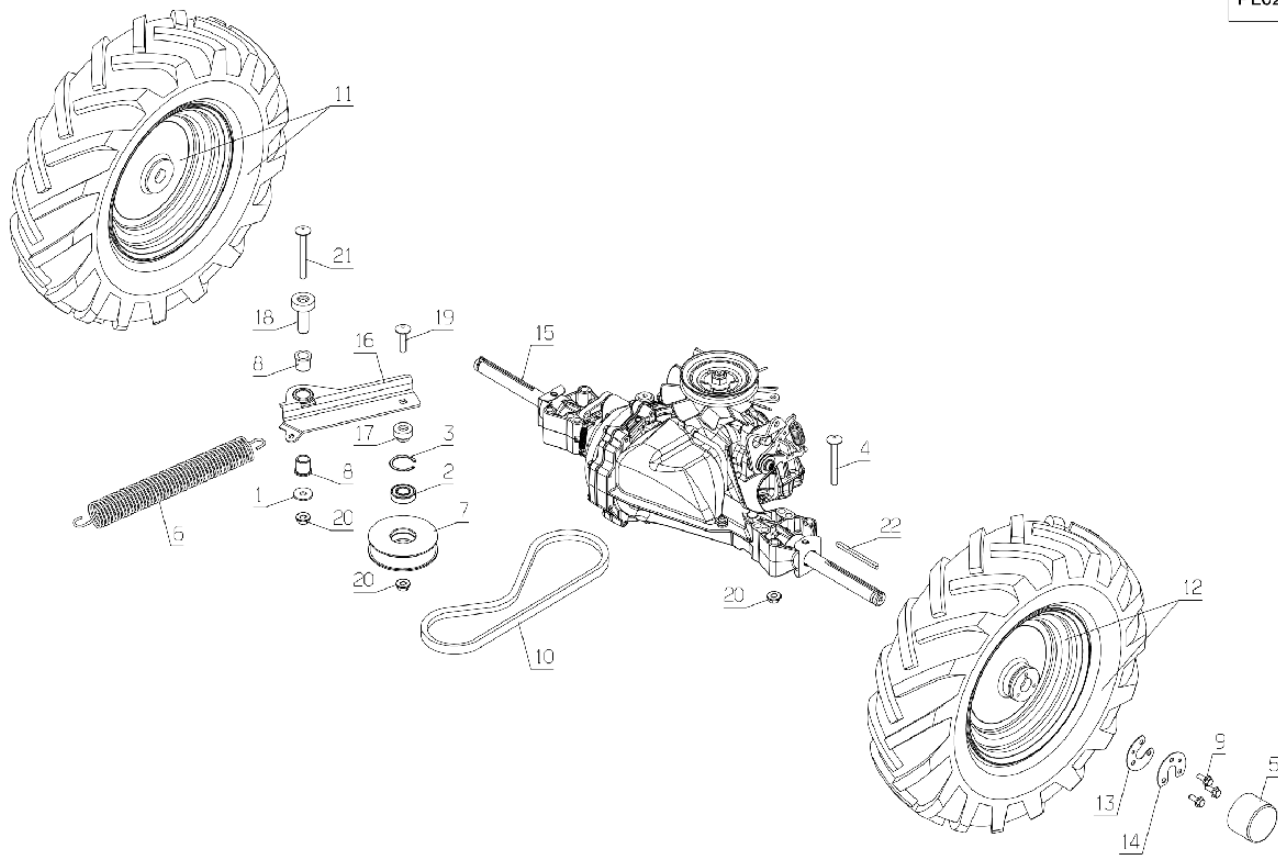
PL02597



07/2019

Number	Part Number	Name	Quantity
1	7035	FLAT WASHER	1,000
2	9022	BALL BEARING 6002	1,000
3	21256	CIRCLIP	1,000
4	21512	SCREW JAPY M8X70	1,000
5	25176	WHEEL CAP	1,000
6	25425	COMPENSATION SPRING	1,000
7	35141	TENSIONNER PULLEY	1,000
8	37059	BUSH JFM 141822-20	1,000
9	37997	SCREW HM6-16 8.8	1,000
10	39810	BELT	1,000
11	50522	RIGHT REAR WHEEL	1,000
12	50523	LEFT REAR WHEEL	1,000
13	52174	SECURING RING	1,000
14	52175	SECURING RING	1,000
15	53444	GEARBOX T3 DIF.LOCK	1,000
16	53448	TENSIONNER	1,000
17	53449	SPACER	1,000
18	53450	KNOCKLE	1,000
19	71118	SCREW 8X35	1,000
20	71205	SCREW M8	1,000
21	71332	SCREW M8X75 8.8	1,000
22	71418	KEY 4,76X4,76X75	1,000

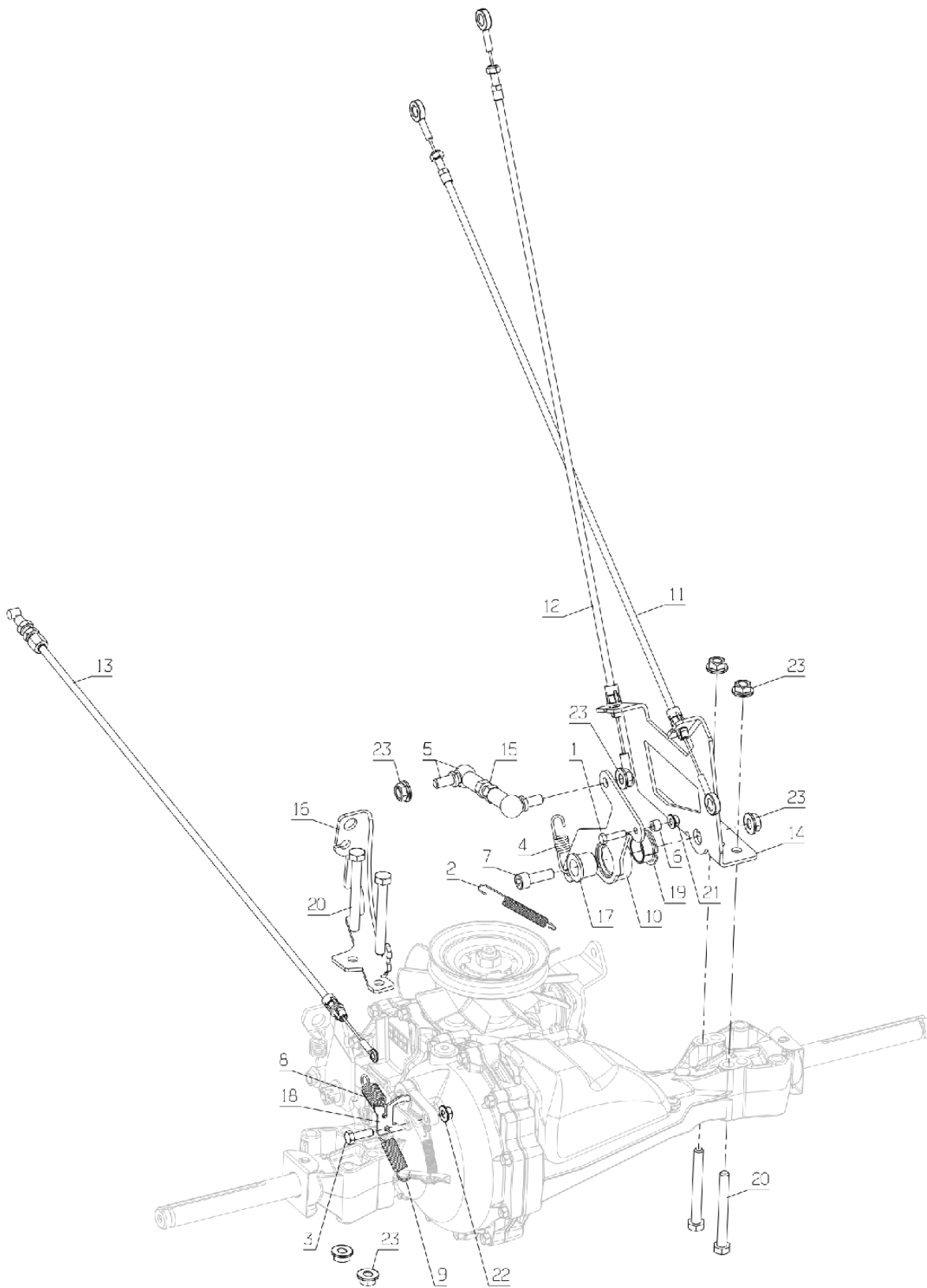
PL02586



08/2019

Number	Part Number	Name	Quantity
1	5071	BOLT HM 5X20	1,000
2	5203	RETURN SPRING	1,000
3	20507	BOLT HM 6X20	1,000
4	24838	SPRING	1,000
5	28234	KNUCKLE M8	1,000
6	35511	SPACER D9/D5,2X6	1,000
7	35735	SCREW CHC M8	1,000
8	41061	TENSION SPRING	1,000
9	42591	DRIVE PLATE SPRING	1,000
10	53383	KNOCKLE	1,000
11	53412	CABLE REVERSE DRIVE	1,000
12	53413	CABLE FORWARD DRIVE	1,000
13	53415	CABLE DIFF.LOCK	1,000
14	53455	BRACKET	1,000
15	53456	STUD	1,000
16	53460	BRACKET	1,000
17	53497	SHAFT	1,000
18	53535	Nouvelle pièce	1,000
19	53556	BEARING BUSH	1,000
20	71068	HEXAGON SCREW,DIN 9	1,000
21	71200	SCREW M5	1,000
22	71201	NUT M6	1,000
23	71205	SCREW M8	1,000

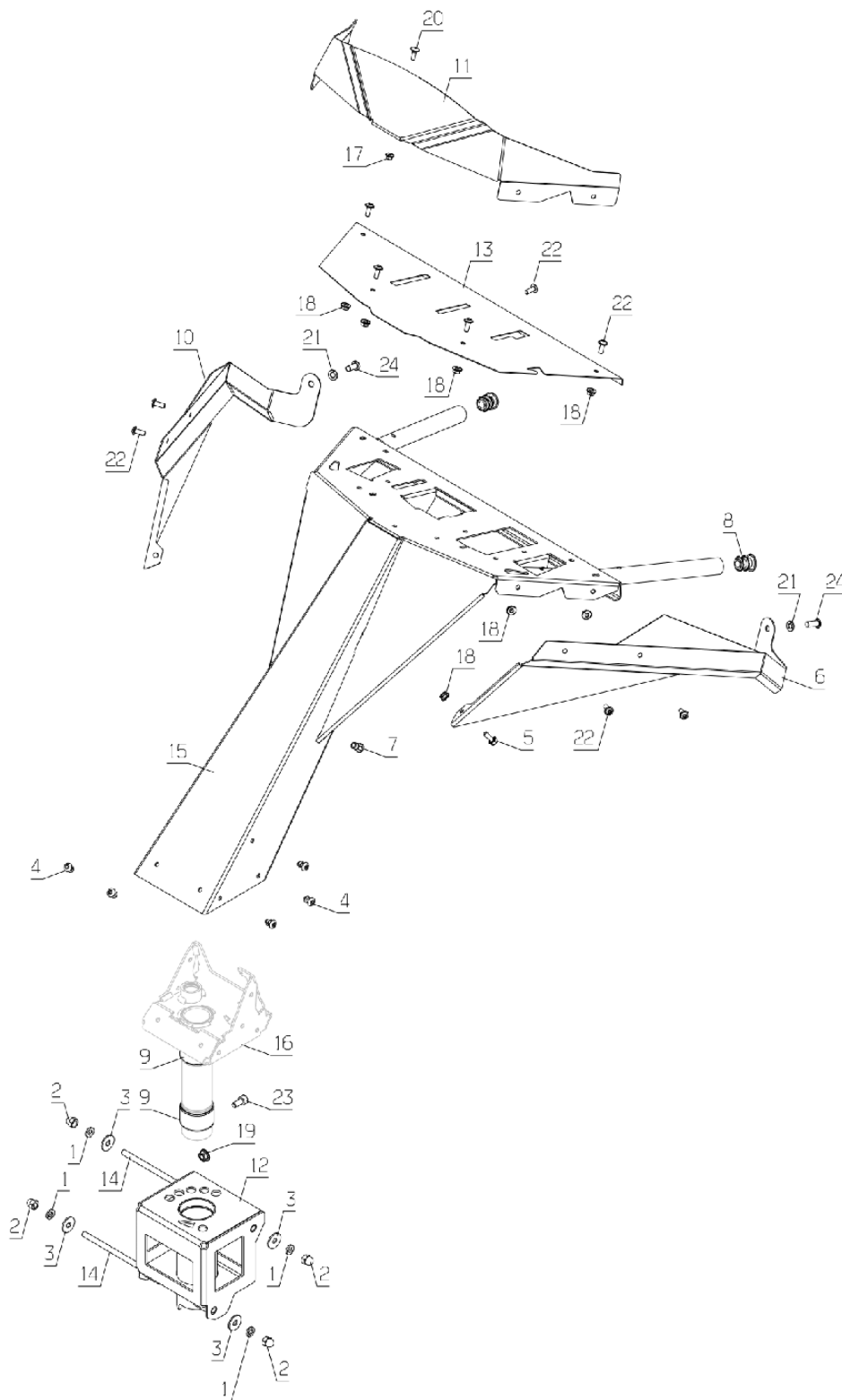
PL02598



08/2019

Number	Part Number	Name	Quantity
1	71343	SPRING WASHER A8	1,000
2	5043	NUT	1,000
3	7035	FLAT WASHER	1,000
4	28738	BOLT	1,000
5	37997	SCREW HM6-16 8.8	1,000
6	50513	LEFT PROTECTION	1,000
7	53370	INSERT	1,000
8	53411	INSERT	1,000
9	53430	BUSH	1,000
10	53467	RIGHT PROTECTION	1,000
11	53468	LEFT PROTECTION	1,000
13	53476	PLATE	1,000
14	53477	THREAD STUD	1,000
15	53772	UPPER HANDLE BAR	1,000
17	71200	SCREW M5	1,000
18	71201	NUT M6	1,000
19	71205	SCREW M8	1,000
20	71231	SCREW JM5-16	1,000
22	71361	SCREW RL X M6X16	1,000
23	71372	IN.HEX.SCREW M8X16	1,000
24	71373	SCREW M8X20	1,000

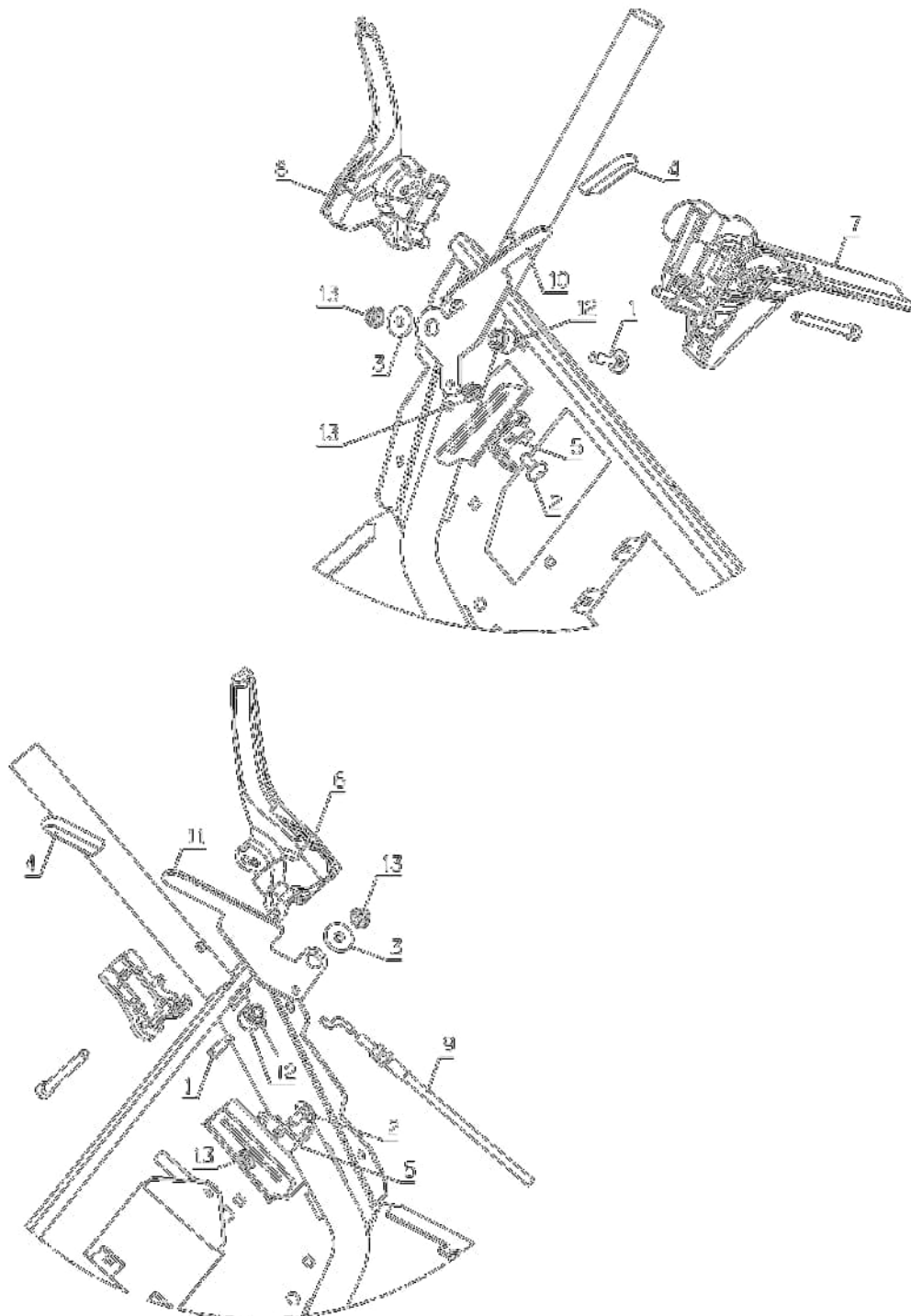
PL02589



08/2019

Number	Part Number	Name	Quantity
1	5608	SCREW 6X35	1,000
2	21608	SCREW 6X16 DIN	1,000
3	22029	FLAT WASHER 6,5	1,000
4	40594	GRIP	1,000
5	43558	STOP	1,000
6	52317	DRIVE STEERING	1,000
7	52319	STEERING	1,000
8	52354	DIFF.LOCK STEERING	1,000
9	53418	CABLE HAND.BAR LOCK	1,000
10	53423	CUTT.HEIGHT LEVER	1,000
11	53425	LEVER	1,000
12	53426	SPACER	1,000
13	71201	NUT M6	1,000

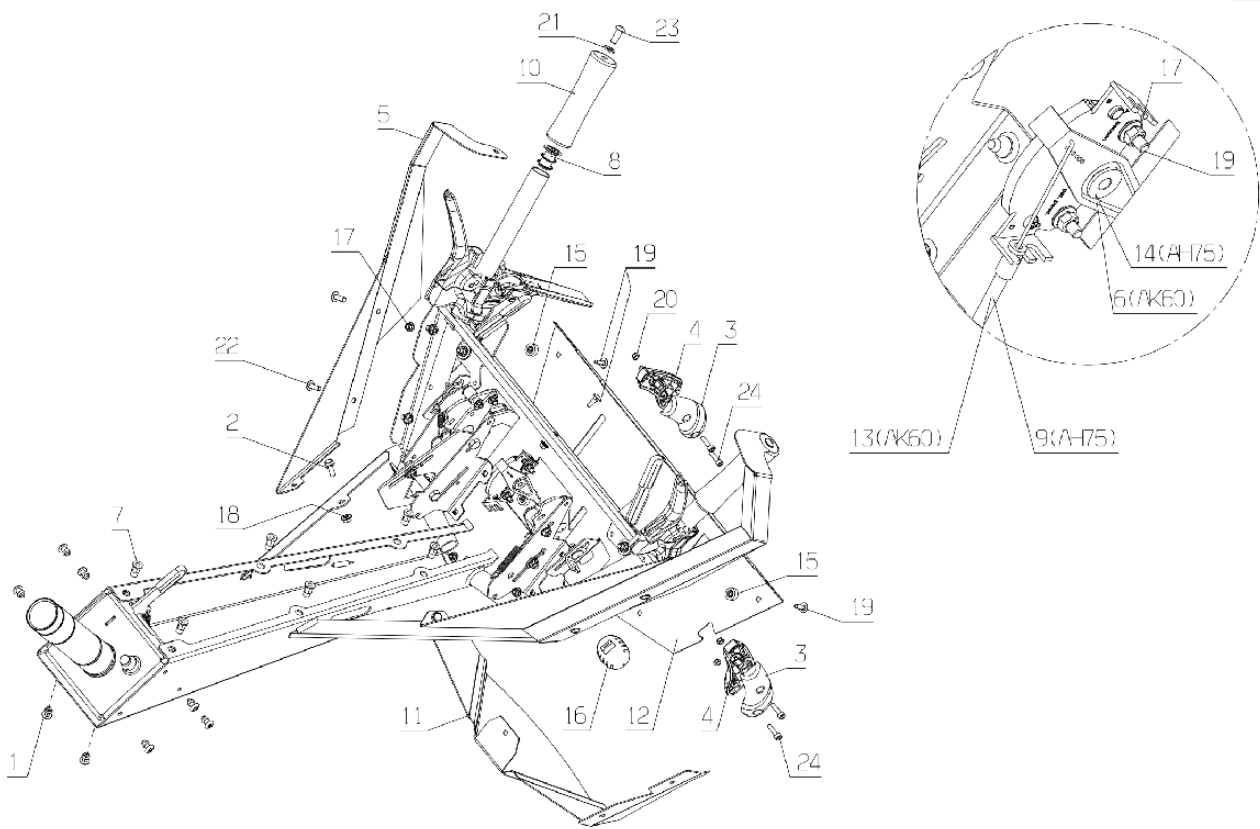
PL02607



10/2019

Number	Part Number	Name	Quantity
1	28738	BOLT	1,000
2	37997	SCREW HM6-16 8.8	1,000
3	40576	RIGHT SHELL	1,000
4	40577	LEFT SHELL	1,000
5	50513	LEFT PROTECTION	1,000
6	50698	GAS CONTROL	1,000
7	53370	INSERT	1,000
8	53411	INSERT	1,000
9	53417	GAS CABLE HONDA	1,000
10	53461	GRIP	1,000
11	53468	LEFT PROTECTION	1,000
12	53476	PLATE	1,000
13	53505	GAS CABLE KAWASAKI	1,000
14	53570	GAS CONTROL	1,000
16	53793	GRIP	1,000
17	71200	SCREW M5	1,000
18	71201	NUT M6	1,000
19	71231	SCREW JM5-16	1,000
20	71308	LOCK NUT M5	1,000
21	71343	SPRING WASHER A8	1,000
22	71361	SCREW RL X M6X16	1,000
23	71373	SCREW M8X20	1,000
24	71408	SCREW CHC M5-20	1,000

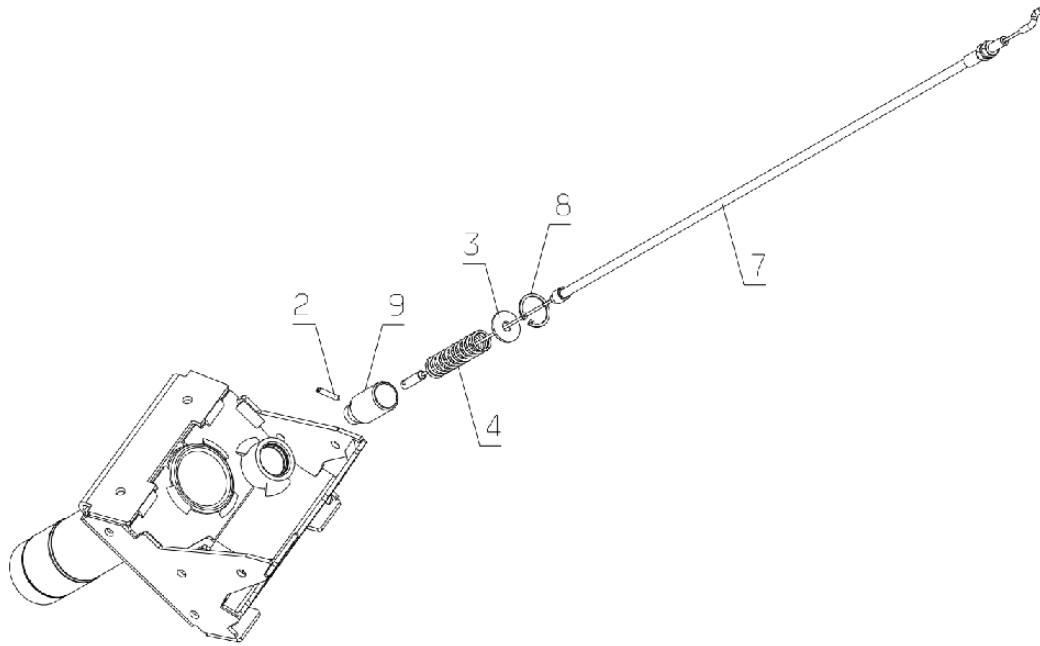
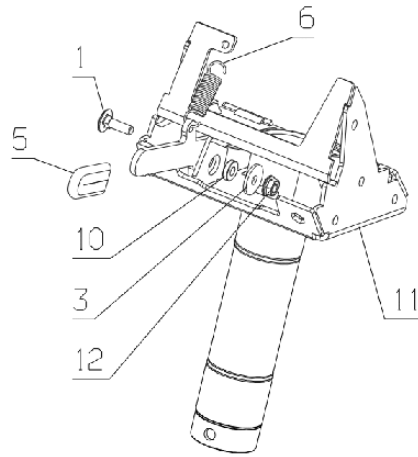
PL02608



10/2019

Number	Part Number	Name	Quantity
1	5496	SCREW 6X20	1,000
2	20556	PIN 3X15	1,000
3	22029	FLAT WASHER 6,5	1,000
4	22457	CLUTCH SPRING	1,000
5	40594	GRIP	1,000
6	42591	DRIVE PLATE SPRING	1,000
7	53418	CABLE HAND.BAR LOCK	1,000
8	53441	CIRCLIP 22X1	1,000
9	53462	INDEX	1,000
11	53773	LOWER HANDLE BAR	1,000
12	71201	NUT M6	1,000

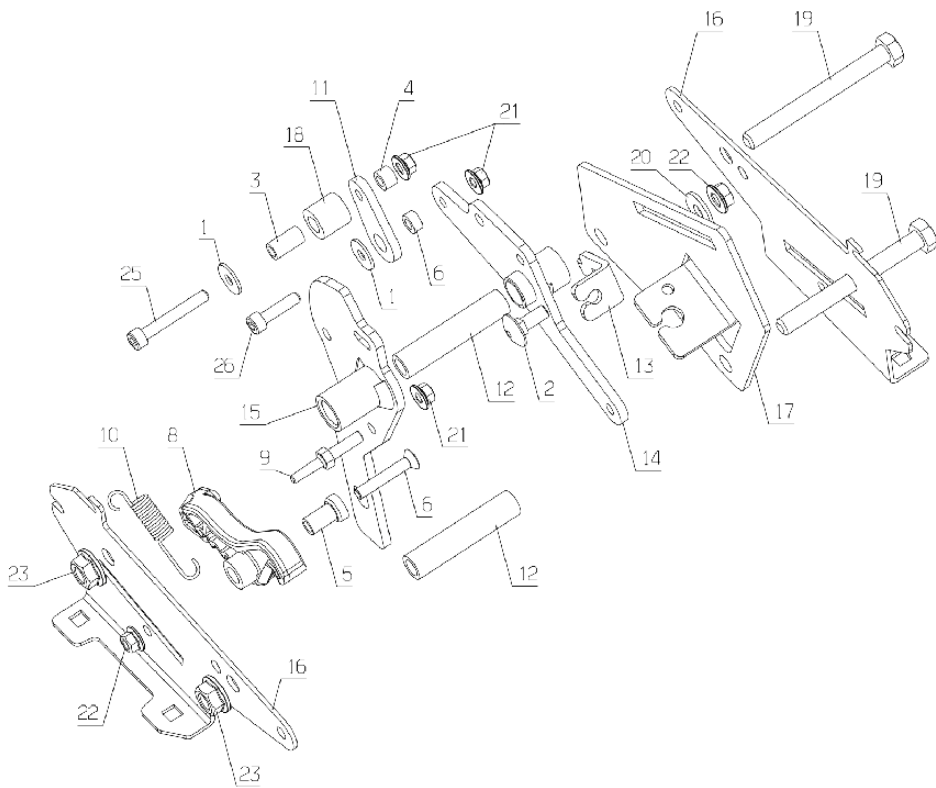
PL02606



10/2019

Number	Part Number	Name	Quantity
1	21481	WASHER	1,000
2	21608	SCREW 6X16 DIN	1,000
3	24846	SPACER 15X8X5,2	1,000
4	35511	SPACER D9/D5,2X6	1,000
5	40509	SPACER	1,000
6	40524	SPACER D9/D5,2X4,3	1,000
7	40525	PULLEY	1,000
8	40544	INDEXED DISK	1,000
9	40559	AXLE	1,000
10	40565	SPRING	1,000
11	40573	VARIATOR PLATE	1,000
12	42028	BUSH 12X8,2X55	1,000
13	43558	STOP	1,000
14	50699	DRIVE TRANSMISSION	1,000
15	53385	3 SPEED LEVER	1,000
16	53451	BRACKET	1,000
17	53453	STOP	1,000
18	53778	SPACER	1,000
19	71067	HEXAG.SCREW HM8X75	1,000
20	71096	WASHER B6,4	1,000
21	71200	SCREW M5	1,000
22	71201	NUT M6	1,000
23	71205	SCREW M8	1,000
24	71206	BOLT EJ.PT KA50X16	1,000
25	5399	BOLT M5X40	1,000
26	71408	SCREW CHC M5-20	1,000

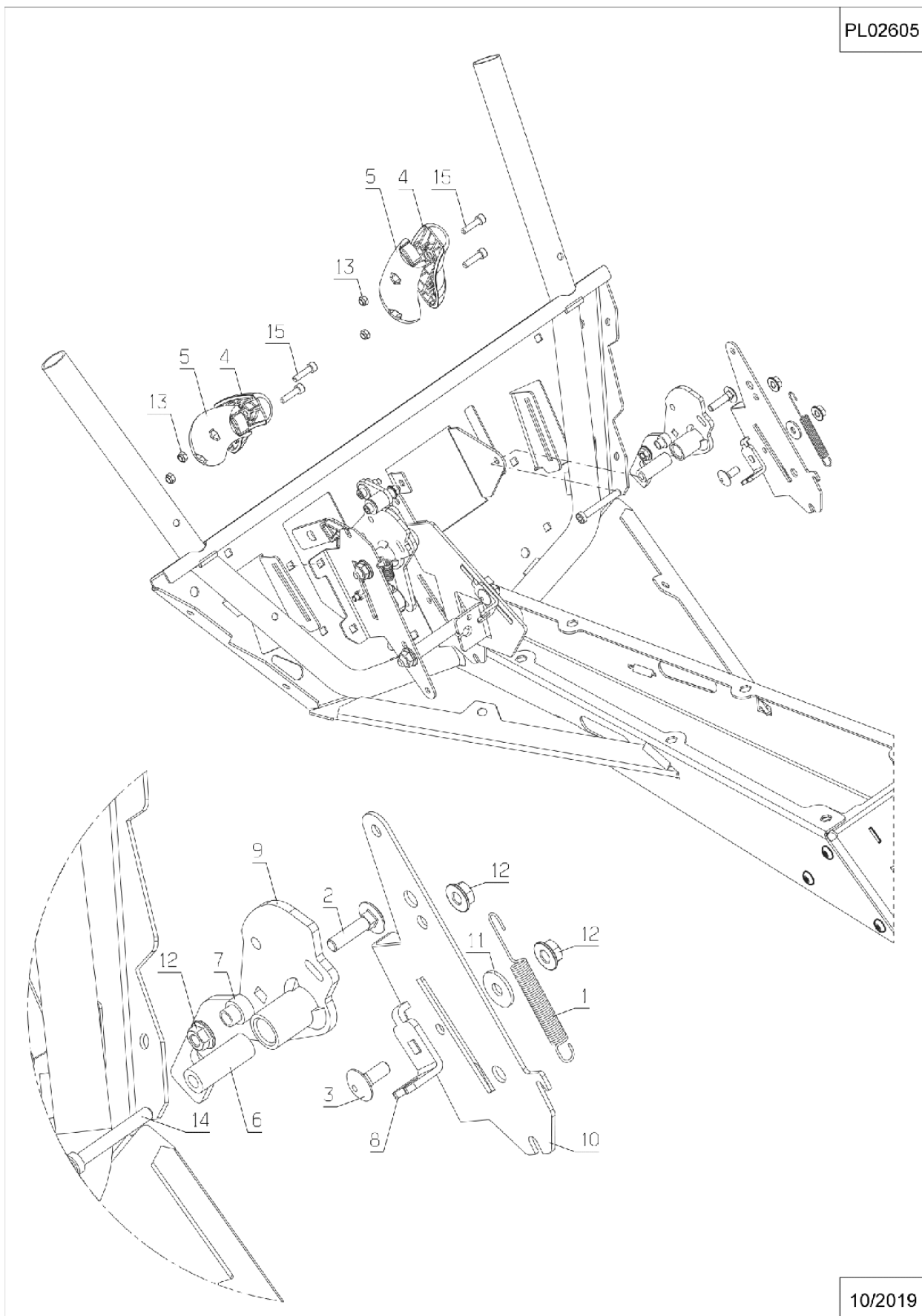
PL02604



10/2019

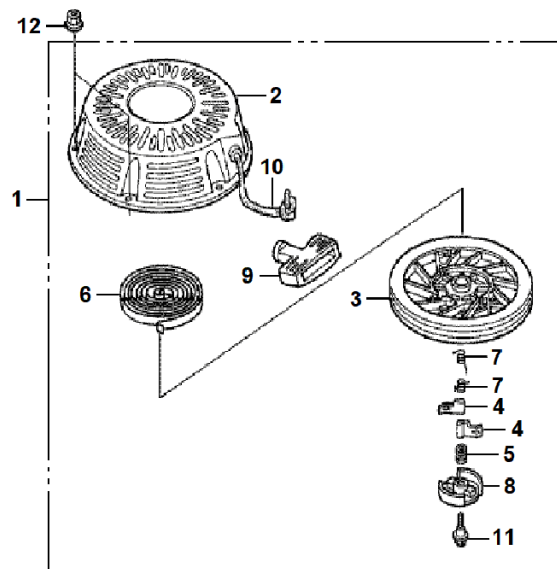
Number	Part Number	Name	Quantity
1	5203	RETURN SPRING	1,000
2	5494	SCREW J M6-25	1,000
3	21608	SCREW 6X16 DIN	1,000
4	40576	RIGHT SHELL	1,000
5	40577	LEFT SHELL	1,000
6	42027	BUSH 12X6,5X32,5	1,000
7	43526	SPACER	1,000
8	43558	STOP	1,000
9	53385	3 SPEED LEVER	1,000
10	53451	BRACKET	1,000
11	71096	WASHER B6,4	1,000
12	71201	NUT M6	1,000
13	71308	LOCK NUT M5	1,000
14	71342	SCREW M6X45 8.8	1,000
15	71408	SCREW CHC M5-20	1,000

PL02605



10/2019

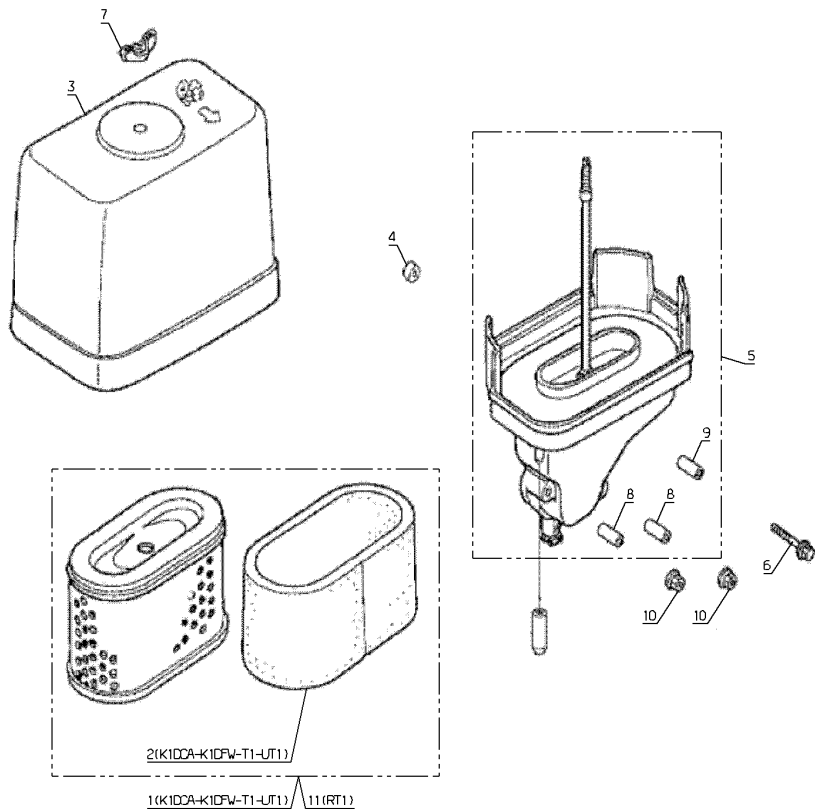
Number	Part Number	Name	Quantity
1	19739	STARTER CPLT	1,000
2	19740	STARTER COVER	1,000
3	19741	PULLEY	1,000
4	19742	PAWL	1,000
5	19743	SPRING	1,000
6	19744	SPRING	1,000
7	19745	SPRING	1,000
8	19746	BRACKET	1,000
9	19747	GRIP	1,000
10	19748	ROPE	1,000
11	19749	SCREW	1,000
12	18652	NUT 6MM	1,000



Number	Part Number	Name	Quantity
1	18780	AIR CLEANER	1,000
2	18781	FILTER OUTER	1,000
3	18782	COVER AIR CLEANER	1,000
4	18783	SPACER	1,000
5	18784	FILTER BRACKET	1,000
6	18785	SCREW 6X45	1,000
7	18786	NUT	1,000
8	18787	SPACER	1,000
9	18788	SPACER	1,000
10	18558	NUT	1,000
11	18707	FILTER + PREFILTER	1,000

HONDA GXV390

PL01748

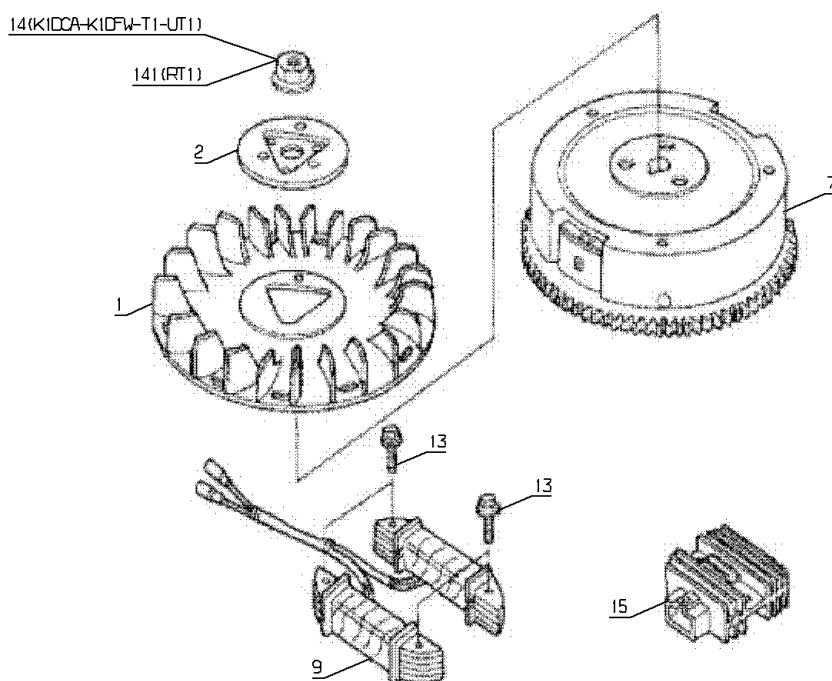


05/2011

Number	Part Number	Name	Quantity
1	18789	FAN COOLING	1,000
2	18790	SPACER	1,000
7	18793	FLYWHEEL	1,000
9	18795	COIL ASSY	1,000
13	18794	SCREW 6X32	1,000
14	18791	NUT	1,000
15	18796	REGULATOR	1,000
141	18965	NUT	1,000

HONDA GXV390

PL01749

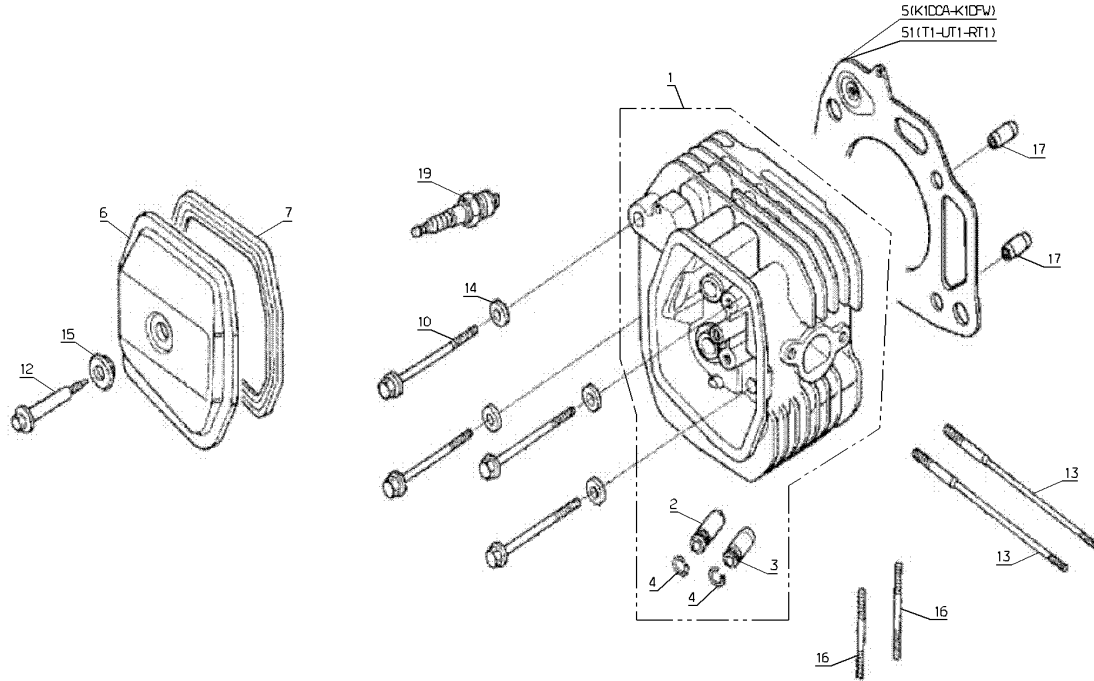


05/2011

Number	Part Number	Name	Quantity
1	18653	CYLINDER HEAD	1,000
2	18654	GUIDE IN.VALVE	1,000
3	18655	GUIDE EXH.VALVE	1,000
4	18656	CLIP	1,000
5	18657	CYLIND. HEAD GASKET	1,000
6	18659	COVER HEAD	1,000
7	18660	GASKET	1,000
10	18662	BOLT FLANGE	1,000
12	18663	SCREW	1,000
13	18664	BOLT STUD 8X138,5	1,000
14	18967	WASHER	1,000
15	18665	GASKET	1,000
16	18666	BOLT STUD 8X32	1,000
17	18667	PIN	1,000
19	3861	SPARK PLUG D.14X19R	1,000
51	18509	CYLIND. HEAD GASKET	1,000

HONDA GXV390

PL01750

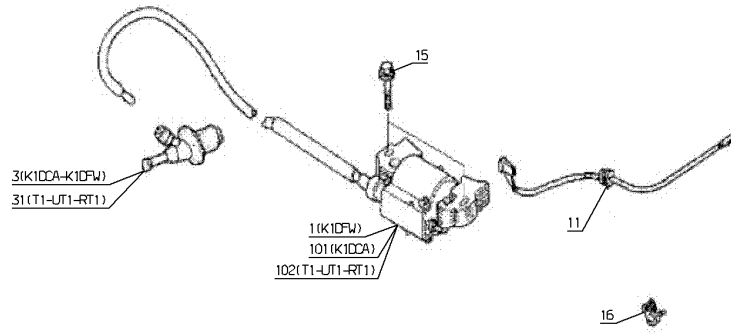


05/2011

Number	Part Number	Name	Quantity
1	18800	IGNITION COIL	1,000
3	18799	CAP ASSY	1,000
11	18802	CORD STOP SWITCH	1,000
15	18801	BOLT 8X32	1,000
16	18803	CLIP	1,000
31	18847	SPARK PLUG CAP	1,000
102	18830	COIL	1,000

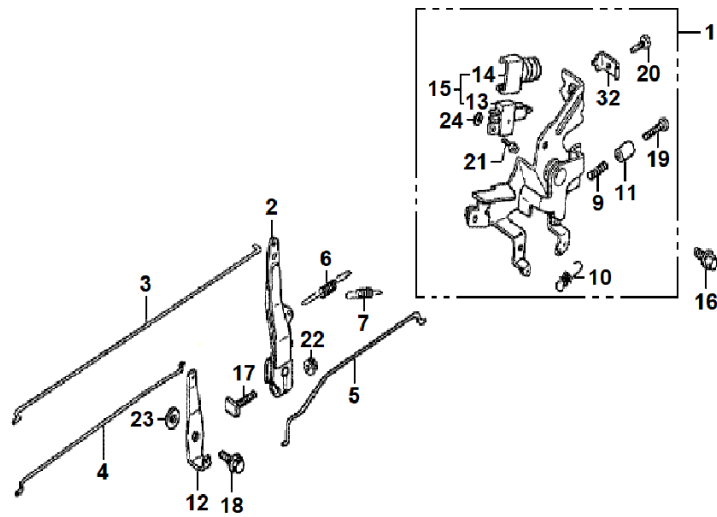
HONDA GXV390

PL01751



05/2011

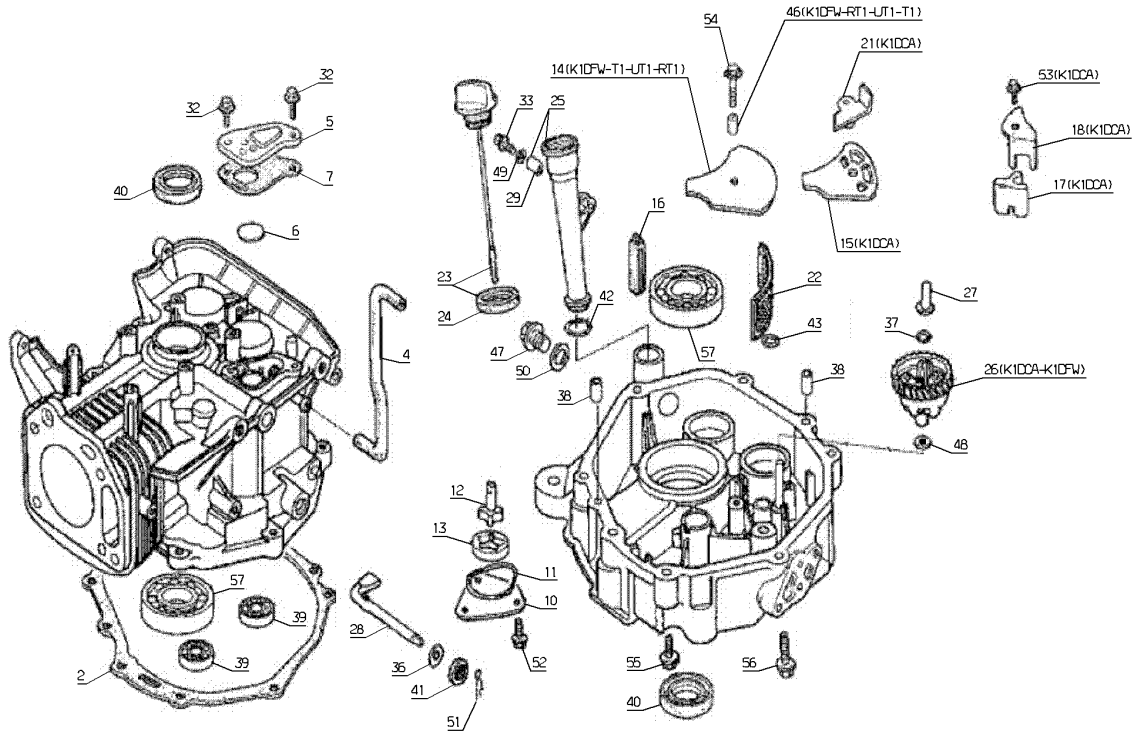
Number	Part Number	Name	Quantity
1	19761	COMMAND	1,000
2	18819	GOVERNOR ARM	1,000
3	18820	GOVERNOR ROD	1,000
4	18821	CHOKE ROD	1,000
5	19762	ROD	1,000
6	18823	GOVERNOR SPRING	1,000
7	18635	SPRING	1,000
9	18827	SPRING	1,000
10	18828	SPRING	1,000
11	18496	COLLAR	1,000
12	18829	CHOKE LEVER	1,000
13	19763	SWITCH	1,000
14	19764	SWITCH CAP	1,000
15	19765	STOP SWITCH ASSY	1,000
16	18505	SCREW 6X12	1,000
17	19766	SCREW	1,000
18	18831	SCREW 6MM	1,000
19	19767	SCREW 5X20	1,000
20	19768	BOLT 5X14	1,000
21	19769	SCREW 4X14	1,000
22	18652	NUT 6MM	1,000
23	18527	WASHER 6MM	1,000
24	19770	WASHER	1,000
32	19060	BRACKET	1,000



Number	Part Number	Name	Quantity
2	18669	GASKET	1,000
4	18671	TUBE	1,000
5	18672	CAP	1,000
6	18673	VALVE	1,000
7	18674	GASKET	1,000
10	18677	CAP	1,000
11	18678	O-RING	1,000
12	18679	PUMP SHAFT	1,000
13	18680	PUMP BODY	1,000
14	18608	COVER	1,000
15	18681	CAP	1,000
16	18682	GASKET	1,000
17	18683	STOPPER OIL	1,000
18	18684	PLATE OIL STOPPER	1,000
21	18685	PLATE	1,000
22	18686	SCREEN OIL FILTER	1,000
23	18687	OIL GAUGE	1,000
24	18688	GASKET	1,000
40	18703	OIL SEAL 35X52X8	1,000

HONDA GXV390

PL01754

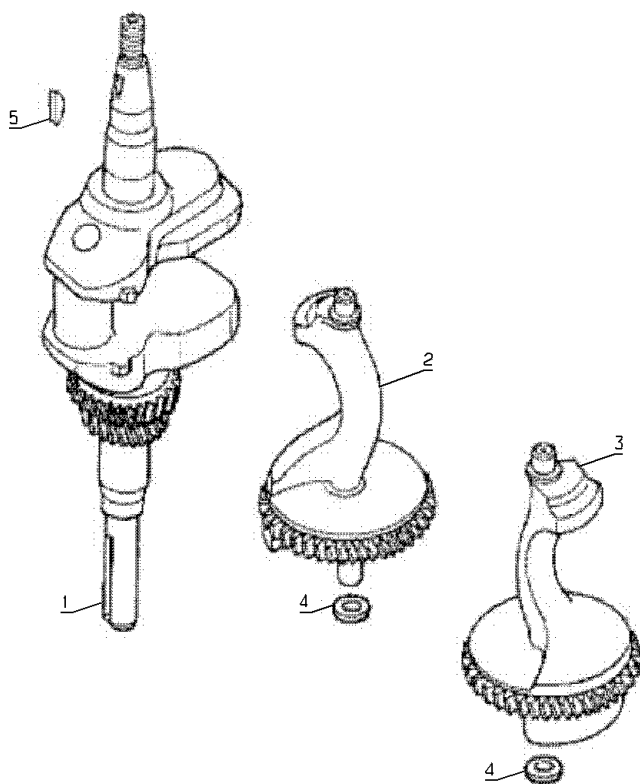


05/2011

Number	Part Number	Name	Quantity
1	18713	CRANKSHAFT	1,000
2	18714	BALANCER WEIGHT A	1,000
3	18715	BALANCER WEIGHT B	1,000
4	18716	WASHER 15MM	1,000
5	18792	KEY 25X18	1,000

HONDA GXV390

PL01755

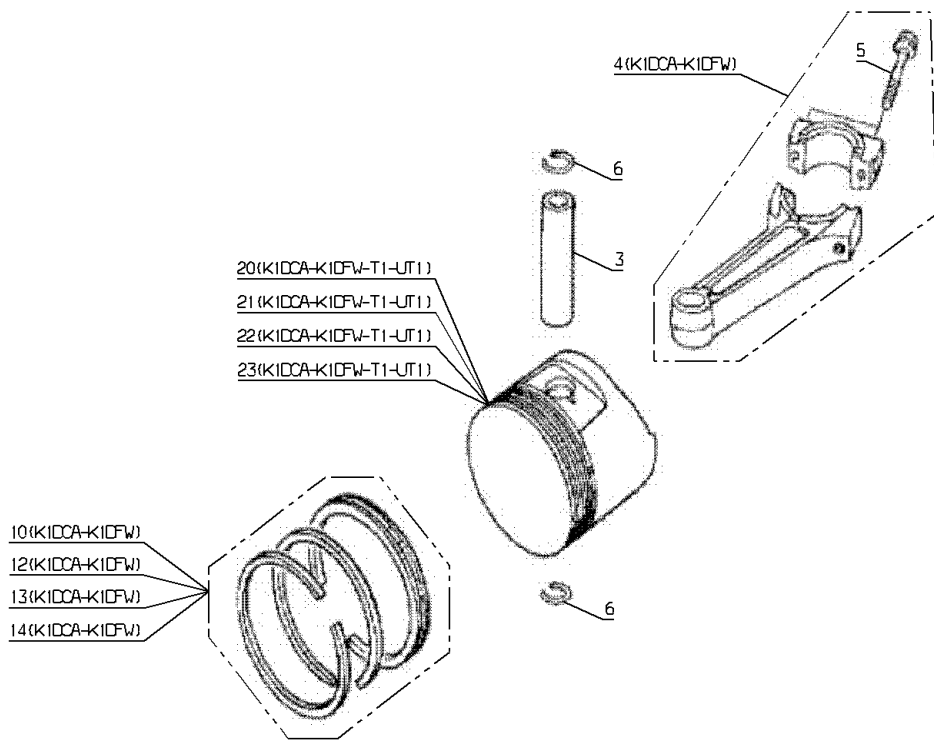


05/2011

Number	Part Number	Name	Quantity
3	18725	PIN PISTON	1,000
4	18726	ROD ASSY	1,000
5	18728	BOLT CONNECTING	1,000
6	18729	CLIP PISTON PIN	1,000
10	18717	RING SET STD	1,000
12	18718	RING SET 0,25	1,000
13	18719	RING SET 0,50	1,000
14	18720	RING SET 0,75	1,000
20	18721	PISTON STD	1,000
21	18722	PISTON 0,25	1,000
22	18723	PISTON 0,50	1,000
23	18724	PISTON 0,75	1,000

HONDA GXV390

PL01756

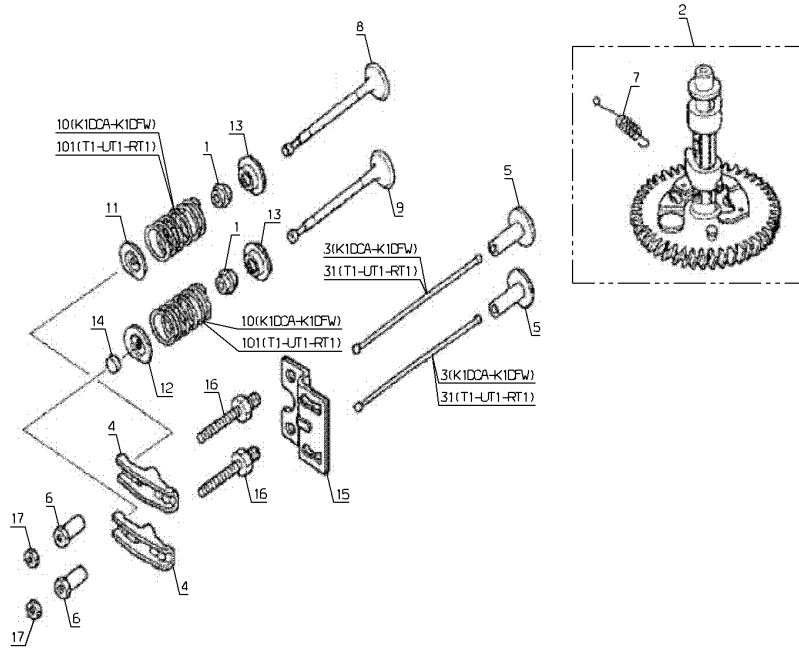


05/2011

Number	Part Number	Name	Quantity
1	18730	VALVE SEAL	1,000
2	18731	CAMSHAFT ASSY	1,000
3	18732	ROD PUSH	1,000
4	18733	VALVE ROCKER ARM	1,000
5	18734	LIFTER ARM	1,000
6	18735	PIVOT ROCKER ARM	1,000
7	18736	SPRING	1,000
8	18737	INLET VALVE	1,000
9	18738	VALVE EXH.	1,000
10	18739	VALVE SPRING	1,000
11	18740	RETAINER	1,000
12	18741	RETAINER	1,000
13	18742	WASHER	1,000
14	18743	ROTATOR VALVE	1,000
15	18744	GUIDE PUSH ROD	1,000
16	18745	SCREW	1,000
17	18746	NUT	1,000
31	18555	ROD PUSH	1,000
101	18592	SPRING	1,000

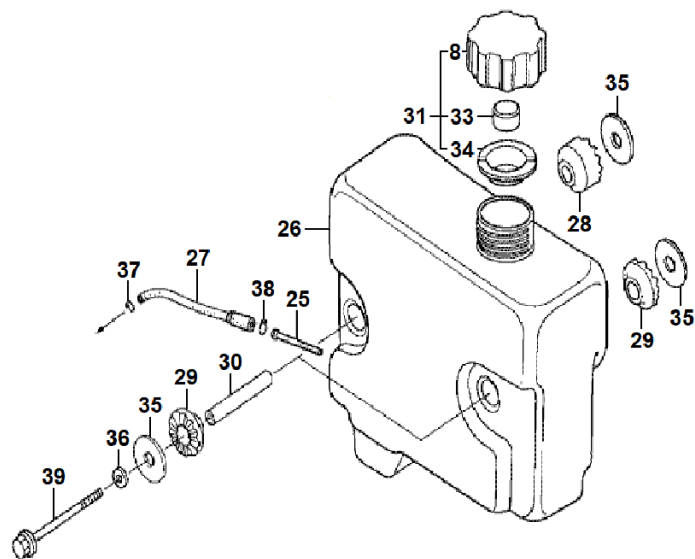
HONDA GXV390

PL01757



05/2011

Number	Part Number	Name	Quantity
8	19777	TANK CAP	1,000
25	19771	STRAINER	1,000
26	19772	FUEL TANK	1,000
27	19773	HOSE	1,000
28	19774	RUBBER	1,000
29	19075	CAOUTCHOUC	1,000
30	19775	SPACER	1,000
31	19776	FUEL TANK CAP	1,000
33	19313	EVENT	1,000
34	19778	SEAL	1,000
35	19122	WASHER	1,000
36	19779	WASHER	1,000
37	18573	CLIP	1,000
38	19780	COLLAR	1,000
39	19781	SCREW 8X95	1,000



Number	Part Number	Name	Quantity
13	19750	MUFFLER	1,000
14	19751	SEPARATOR	1,000
15	19752	SHACKLE	1,000
16	19753	HEATING PROTECTION	1,000
17	18835	EXHAUST COLLECTOR	1,000
18	19754	EXHAUST GASKET	1,000
19	19755	EXHAUST GASKET	1,000
20	19756	BOLT 8X16	1,000
21	19412	SCREW 5X8	1,000
22	19757	THREADED STUD 8X60	1,000
23	19758	THREADED STUD 8X70	1,000
24	19759	SCREW	1,000
25	18838	NUT	1,000
26	19760	BOLT 8X14	1,000
27	19267	WASHER	1,000

