

PARTS LIST

HT239DL

CONTENTS

1. MAIN BODY	1 ~ 4
2. ENGINE	5 ~ 8
3. CARBURETOR, FUEL TANK	9 ~ 12
4. ACCESSORIES	13 ~ 14

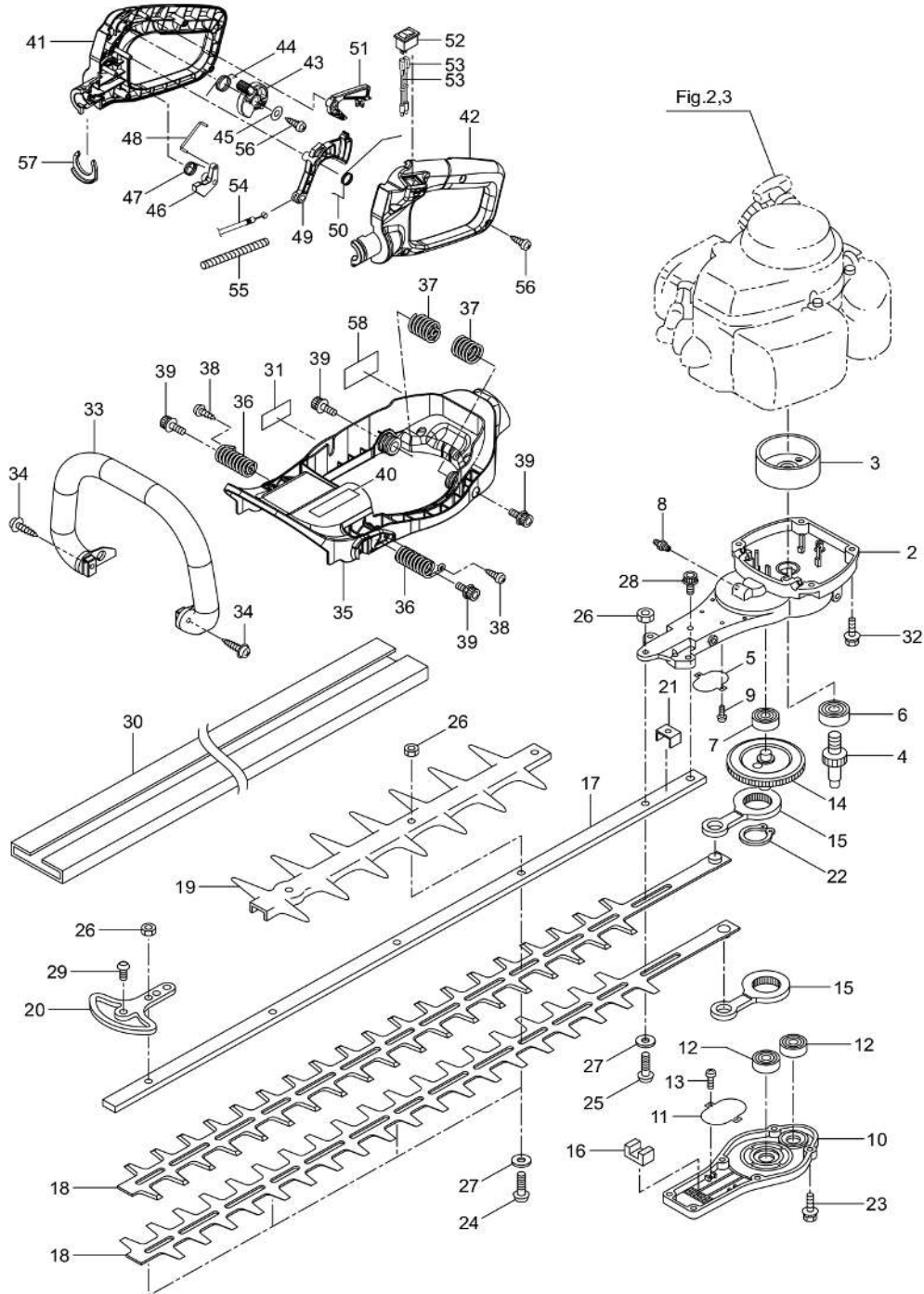
2018. 12.



MARUYAMA

P/N 524570-3

1. HT239DL
MAIN BODY



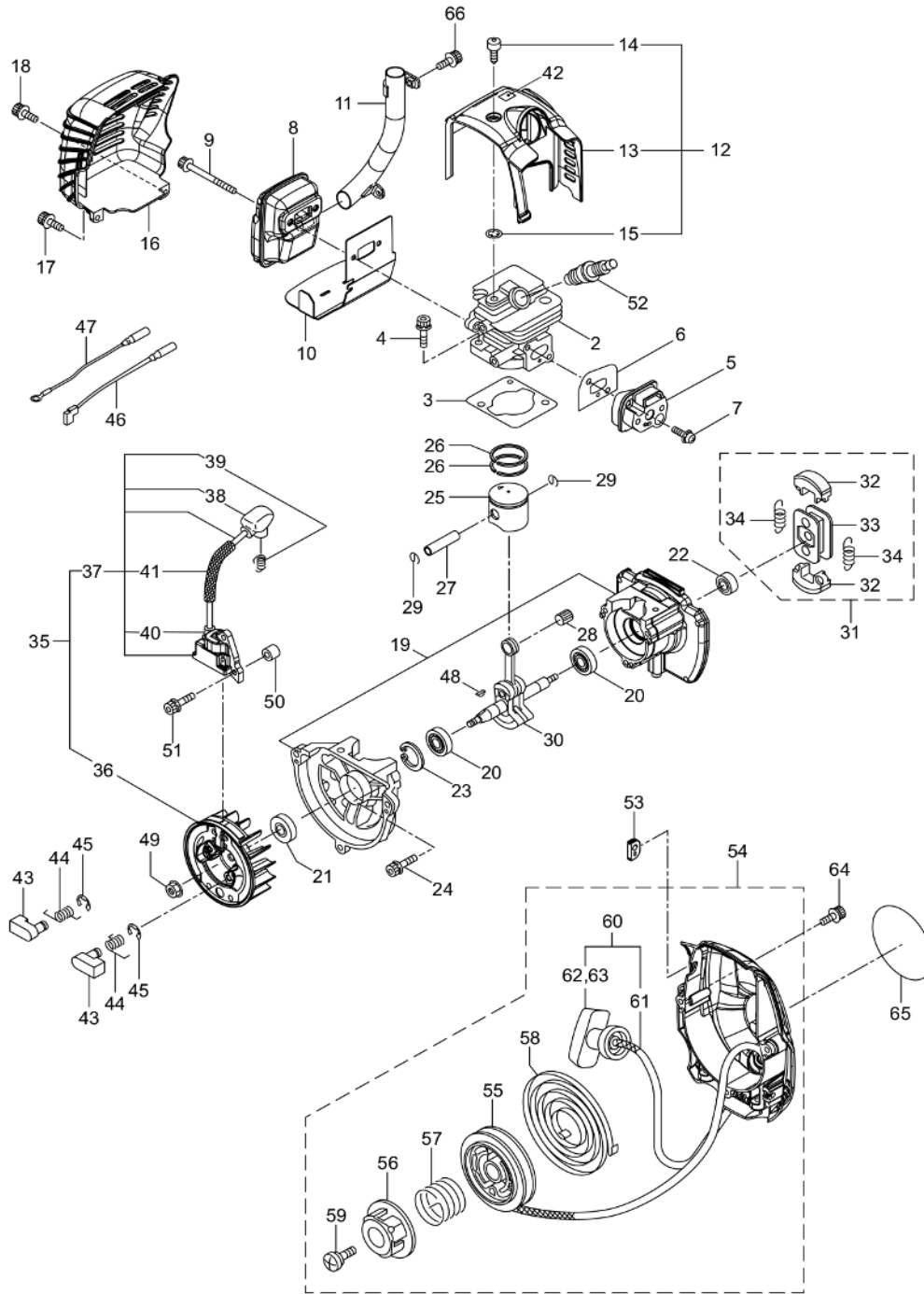
- 1 -

1

Status	Position	Parts Number	Parts Name	Unit Quantity	Set Unit Quantity	Remarks
	1	362443	HT239DL(EU01)	1		
	2	279432	UPPER CASE	1		
	3	270021	CLUTCH DRUM	1		
	4	271473	PINION GEAR	1		
	5	271474	PLATE	1		
	6	580767	BEARING 6001 2RS	1		#6001 2RS
	7	270423	BEARING 608ZZ	1		

Status	Position	Parts Number	Parts Name	Unit Quantity	Set Unit Quantity	Remarks
	8	991937	GREASE NIPPLE	1		M6
	9	991924	SCREW M3X5	2	10	M3x5
	10	271475	LOWER CASE	1		
	11	271474	PLATE	1		
	12	270423	BEARING 608ZZ	2		
	13	991924	SCREW M3X5	2	10	M3x5
	14	271465	CRANK COMPLETE	1		
	15	271466	ROD	2		
	16	270567	FELT	1		
	17	271470	GUIDE PLATE	1		
	18	278706	BLADE	2		
	19	274877	BLADE GUARD W	1		
	20	278720	CHIP GUARD	1		
	21	270757	PLATE	1		
	22	580777	SNAP RING	1	5	#26
	23	271910	SCREW	6		
	24	991914	SCREW	4		
	25	271229	SCREW	1		
	26	991941	U-NUT	5	5	M6
	27	991913	WASHER	5	10	
	28	272282	SCREW	1		
	29	278721	SCREW	1		
	30	270071	BLADE COVER(DL)	1		
	31	270566	LABEL	1		
	32	271908	SCREW	4		
	33	279051	FRONT HANDLE	1		
	34	285665	SCREW	2	5	M5x30
	35	279106	FRAME COMP	1		
	36	279053	SPRING F	2		
	37	279054	SPRING R	2		
	38	285631	SCREW M4X16	2	5	M4x16
	39	261762	SCREW	4		M5x14
	40	266959	LABEL	1		Caution
	41	279047	REAR HANDLE R	1		
	42	279048	REAR HANDLE L	1		
	43	279042	LOTATION LEVER	1		
	44	279043	SPRING	1		
	45	279954	WASHER	1		4.5x13x1.0
	46	279044	LOCK LEVER	1		
	47	279045	SPRING	1		
	48	279046	ROD	1		
	49	279039	THROTTLE LEVER	1		
	50	279040	SPRING	1		
	51	279041	SAFETY LEVER	1		
	52	236722	STOP SWITCH	1		
	53	279037	LEAD	2		
	54	279035	CABLE COMP.	1		
	55	279570	TUBE	1		230L
	56	285631	SCREW M4X16	5	5	M4x16
	57	279038	CLIP	1		
	58	266957	LABEL	1		

2. HT239DL
ENGINE



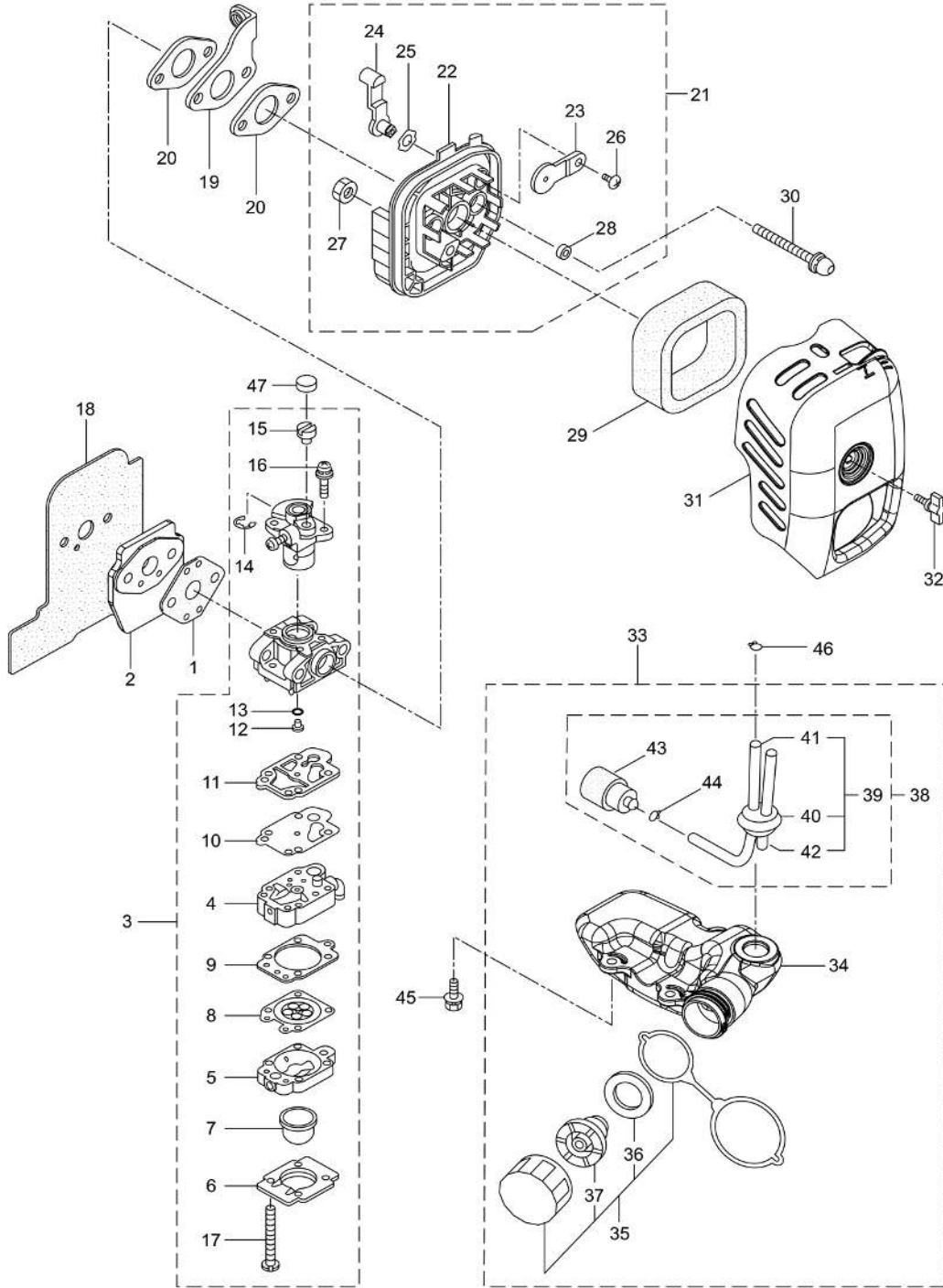
- 5 -

1

Status	Position	Parts Number	Parts Name	Unit Quantity	Set Unit Quantity	Remarks
	1	875195	HE232/08	1		HE232/08
	2	278641	CYLINDER	1		
	3	289643	GASKET	1		
	4	267290	CAP SCREW	2	5	M5x20
	5	272744	INSULATOR	1		New gasket required
	6	267049	GASKET	1	5	
	7	265924	CAP SCREW	2	5	M5x25

Status	Position	Parts Number	Parts Name	Unit Quantity	Set Unit Quantity	Remarks
	8	278263	MUFFLER	1		
	9	266402	CAP SCREW	2	5	M5x55
	10	246971	GASKET	1		
	11	279055	TAIL PIPE COMP	1		
	12	278288	CYLINDER COVER	1		Incl.13-15
	13	277793	CYLINDER COVER	1		
	14	286399	BOLT	1		M5
	15	286270	WASHER	1		M5
	16	279059	MUFFLER COVER COMP	1		
	17	261607	CAP SCREW	1	5	M5x16
	18	267191	CAP SCREW	1	5	M5x16
	19	278208	CRANK CASE	1		
	20	261181	BEARING 6000C3	2		#6000C3
	21	277906	OIL SEAL	1		TC10267
	22	277909	OIL SEAL	1		TC10207
	23	054676	RING SNAP	1	5	#26
	24	261246	CAP SCREW	3	5	M5x25
	25	272204	PISTON	1		
	26	264891	PISTON RING	2		(2)required
	27	261036	PISTON PIN	1		
	28	288520	NEEDLE BEARING	1		
	29	261576	CLIP PISTON	2		
	30	283155	CRANKSHAFT COMPLETE	1		
	31	246054	CLUTCH ASSY	1		Incl.32-34
×	32	246068		2		(2)required
×	33	246069		1		
×	34	246070	SPRING	2		(2)required
	35	278161	MAGNETO	1		Incl.36-41
	36	278176	ROTOR	1		
	37	278293	IGNITION COIL	1		Incl.38-41
	38	282292	PLUG CAP	1		
	39	261075	CONNECTOR	1		
	40	261072	CAP	1		
	41	280080	TUBE	1		
	42	283526	LABEL	1		
	43	280936	RACHET	2		
	44	280553	SPRING	2		
	45	020299	E-RING #4	2	10	#4
	46	267492	LEAD	1		130L
	47	284541	LEAD	1		
	48	261076	WOODRUFF KEY 3X10	1	5	3x10
	49	261077	NUT	1	5	M6
	50	280381	SPACER	2	5	
	51	279850	SCREW	2		M4x25
	52	288264	SPARK PLUG	1		BPMR8Y
	53	278294	GROMMET	1		
	54	278177	STARTER ASSY	1		Incl.55-63
	55	286363	REEL	1		
	56	286364	CAM PLATE	1		
	57	283290	DAMPER SPRING	1		
	58	280931	SPIRAL SPRING	1		
	59	267213	SCREW	1		
	60	283291	ROPE ASSY	1		Incl.61-63
	61	283292	STARTER ROPE	1		
	62	261725	STARTER GRIP	1		
	63	283293	ROPE STOPPER	1		
	64	267290	CAP SCREW	3	5	M5x20
	65	279305	LABEL	1		HT239DL
	66	261250	CAP SCREW	1	5	M5x20

3. HT239DL
CARBURETOR, FUEL TANK

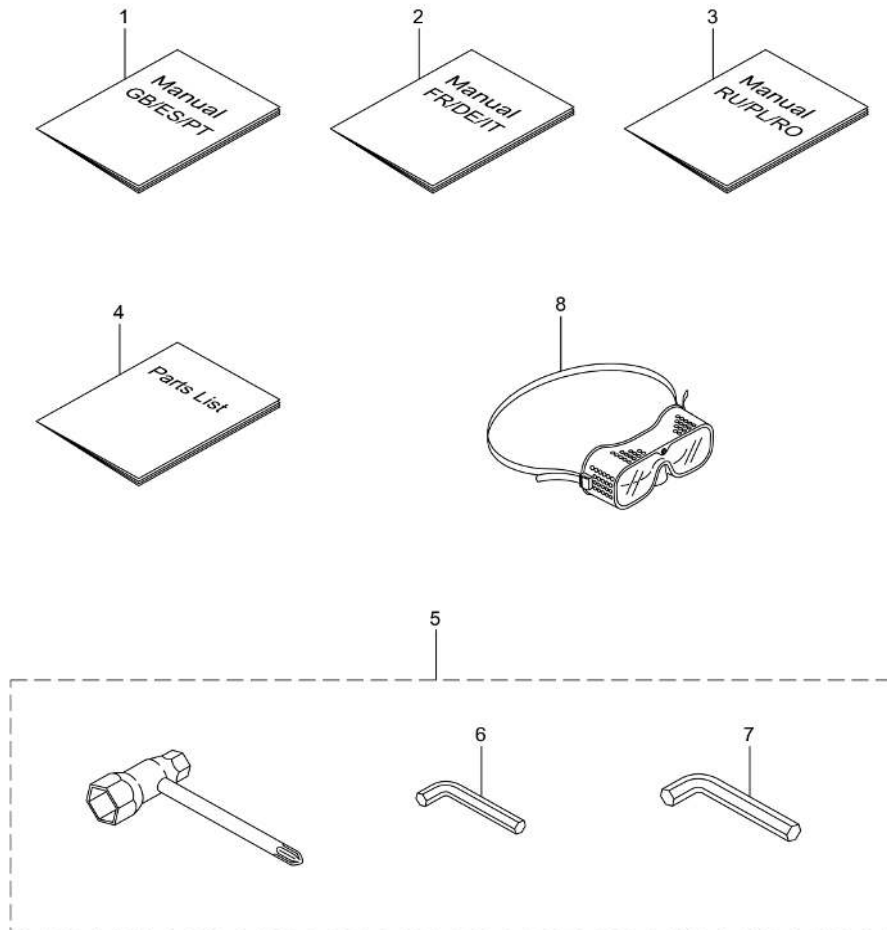


- 9 -

Status	Position	Parts Number	Parts Name	Unit Quantity	Set Unit Quantity	Remarks
	1	261864	GASKET	1	5	
	2	279050	DIVIDER	1		
	3	278297	CARBURETOR ASSY	1		Incl.4-17
	4	268499	CARBURETOR BODY	1		
	5	262991	PURGE BODY	1		
	6	262992	COVER	1		
	7	261874	PRIMER	1		

Status	Position	Parts Number	Parts Name	Unit Quantity	Set Unit Quantity	Remarks
	8	283905	DIAPHRAGM METERRING	1		
	9	262993	GASKET	1		
	10	262994	DIAPHRAGM	1		
	11	282576	GASKET	1		
	12	289396	JET	1		
	13	261871	O-RING	1		
	14	261876	RING	1		
	15	261658	SWIVEL	1		
	16	264682	SCREW	2		
	17	262996	SCREW	4	5	
	18	278750	GASKET	1		
	19	283773	STAY	1		
	20	283771	GASKET	2		
	21	289048	CASE	1		Incl.22-28
	22	269050	CASE BODY	1		
	23	289019	MACHINED DISC	1		
	24	284803	LEVER	1		
	25	284816	WASHER	1	5	6.4x11x0.15
	26	269032	SCREW	1	5	
	27	126993	NUT	1	5	M5
	28	269051	SLEEVE	2		
	29	269030	ELEMENT	1		
	30	280102	SCREW	2		M5x65
	31	279049	CLEANER COVER	1		
	32	281438	KNOB	1		
	33	278209	TANK ASSY	1		Incl.34-44
	34	277791	FUEL TANK	1		
	35	283438	TANK CAP ASSY	1		Incl.36,37
	36	283727	PACKING	1	5	
	37	283764	BREATHER ASSY	1		
	38	265752	FUEL PIPE	1		Incl.39-44
	39	264031	FUEL PIPE ASSY	1		Incl.40-42
	40	261115	GROMMET	1		
	41	261690	FUEL PIPE	1		160L
	42	263038	RETURN PIPE	1		3x6x85L
	43	277887	FILTER ASSY	1		
	44	261117	CLIP	1		
	45	269690	CAP SCREW	3	5	M5x18
	46	261117	CLIP	1		
	47	280020	CAP	1	5	

4. HT239DL
ACCESSORIES



- 13 -

Status	Position	Parts Number	Parts Name	Unit Quantity	Set Unit Quantity	Remarks
	1	279225	INSTRUCTION MANUAL	1		GB/ES/PT
	2	279226	INSTRUCTION MANUAL	1		FR/DE/IT
	3	279227	INSTRUCTION MANUAL	1		RU/PL/RO
	4	524570	PARTS LIST	1		HT239DL
	5	264606	TOOL SET	1		Incl.6,7
	6	219431	SPANNER	1		3mm
	7	219432	WRENCH	1		4mm

Status	Position	Parts Number	Parts Name	Unit Quantity	Set Unit Quantity	Remarks
	8	221460	GOGGLES	1		