

Parts catalogue

RABBIT MOWER

(EXPORT MODEL)

RM94

MODEL	CODE NO.
RM94	0261-ΔΔΔΔΔ

CONTENTS

Fig.1	FRAME & CONTROL-----	1
Fig.2	TRANSMISSION-----	9
Fig.3	FRONT AXLE & TIRE-----	15
Fig.4	ELECTRIC EQUIPMENT-----	21
Fig.5	CUTTING PARTS & COVER-----	25

OREC CO.,LTD.

Update : May 2007

Fig.1 FRAME & CONTROL

Ref.	Parts No.	Parts Name	Quantity	Remarks
			RM94	
			B&S 18HP	
1	0217-20110	Frame CMP	1	
2	0215-80100	Sub Frame CMP	1	
3	89-2191-080502	Round Head Pin 8*50	2	
4	89-2131-080002	Snap Pin 8	2	
6	89-1236-080162	Mini Hexagonal Bolt (PWSW) M8*16	2	
7	0207-63100	Front Cover	1	
8	80-1484-904-00	Label, Main	1	
9	0207-76500	Long Knob Bolt M8*20	1	
10	80-1484-356-00	Brake Stopper Return Spring	1	
11	80-1484-355-00	Brake Stopper	1	
12	89-1713-100002	Flat Washer 10 (large)	1	
13	89-1561-100002	Mini Hexagonal U Nut M10	1	
14	89-1713-100002	Flat Washer 10 (large)	4	
15	0207-72700	Gas Spring KMF 50-40	1	
16	89-1561-100002	Mini Hexagonal U Nut M10	2	
17	89-1713-100002	Flat Washer 10 (large)	4	
18	89-1232-100202	Mini Hexagonal Bolt (SW) M10*20	4	
19	83-1020-355-00	Thrust Washer 12*24*1.0	2	
20	80-1484-354-10	Brake Rod Roller	1	
21	89-3510-012200	DU Bush 12.20	1	
22	83-1751-311-00	Washer 8*25*2.3	1	
23	89-1543-080002	Mini Hexagonal Nut (SW) M8	1	
24	0261-20800	Seat Receiver	1	
25	80-1481-944-00	Seat GTP-4 (Black)	1	
26	83-1560-101-00	Knob Bolt M8*15	2	
27	89-1750-080002	Spring Washer 8	2	
28	89-1713-080002	Flat Washer 8 (large)	2	
29	0207-20500	Step	1	
30	0207-20600	Step Rubber	1	
31	83-1484-369-00	Clip (5347)	15	
32	0207-20400	Seat Bracket	1	
33	0223-76100	Label, Caution (Large)	1	
34	0207-21200	Seat Bracket Shaft	1	
35	89-1553-060002	Bag Hexagonal U Nut M6	2	
36	80-1481-487-00	Seat Receive Pin	1	
37	89-2131-120002	Snap Pin 12	2	
38	0207-76100	Trim 15*350	2	
39	0207-76700	Knob Bolt (KG-B2) M8*20	1	
40	89-1713-080002	Flat Washer 8 (large)	1	
41	0207-76900	Bonded Washer 8	1	
42	0207-70900	Grommet 30-3.2 (KG-G79QB)	1	
43	89-1236-080202	Mini Hexagonal Bolt (PWSW) M8*20	8	
44	0207-70800	Grommet 45-3.5	1	
45	0207-20300	Engine Base	1	
46	89-1236-080162	Mini Hexagonal Bolt (PWSW) M8*16	2	
47	80-1792-988-00	Harness Clip 8	2	
48	89-1671-080042	Mini Cap Nut M8	2	
49	0207-61100	Fender (L)	1	
50	0207-61200	Fender (R)	1	
51	0207-76600	Ditch Rubber 3.2*100	1	
52	89-1390-060162	Welded Bolt M6*16	1	
53	0207-72900	Seat Switch Spring	1	

Fig. 1 FRAME & CONTROL

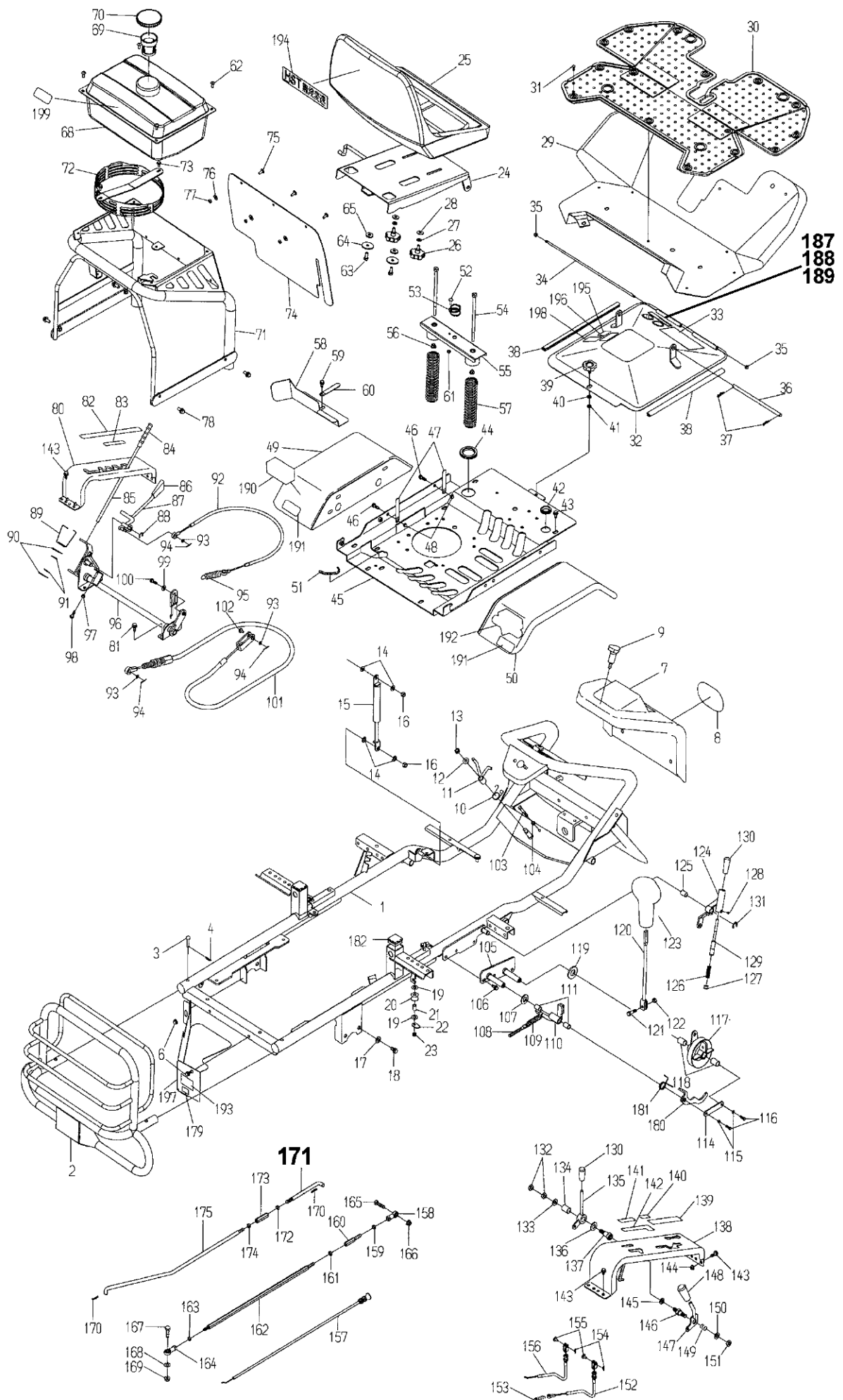


Fig.1 FRAME & CONTROL

Ref.	Parts No.	Parts Name	Quantity	Remarks
			RM94	
			B&S 18HP	
54	0261-21200	Seat Receiving Bolt M8*175*35	2	
55	0261-21100	Seat Spring Receiver CMP	1	
56	89-1631-080042	Flange Mini Hexagonal Nut M8	2	
57	0215-81600	Seat Spring 167	2	
58	0207-21300	Protection Guard	1	
59	83-1490-114-00	Mini Hexagonal Bolt (PWSW) M8*20	1	
60	80-1792-988-00	Harness Clip 8	1	
61	89-1511-060042	Hexagonal Nut M6	1	
62	89-1159-060168	Truss Mini Screw M6*16	4	
63	89-1232-080202	Mini Hexagonal Bolt (SW) M8*20	2	
64	83-1020-314-00	Washer 8*40*2.3	2	
65	0207-76400	Washer 9*25*3.2	2	
68-70	0207-71000	Fuel Tank Assy	1	
68	0207-71100	Tank CMP	1	
69	0207-71300	Filter (with level)	1	
70	0207-71200	Cap	1	
71	0261-61100	Tank Holder CMP	1	
72	0261-61200	Air Intake Guard CMP	1	
73	89-1137-060122	Hexagonal Bolt (PW) M6*12	2	
74	0244-72800	Wind Shield	1	
75	89-1159-060168	Truss Mini Screw M6*16	3	
76	89-1713-060002	Flat Washer 6 (large)	3	
77	89-1511-060042	Hexagonal Nut M6	3	
78	89-1236-080202	Mini Hexagonal Bolt (PWSW) M8*20	4	
80	0207-10510	Cutting Height Guide	1	
81	89-1232-100202	Mini Hexagonal Bolt (SW) M10*20	4	
82	0217-70610	Label, Cutting Height Adjusting (13201)	1	
83	80-1488-915-00	Label, Knife (13114)	1	
84	80-1515-339-00	Handle Grip 15	1	
85	80-1482-272-00	Cutting Height Adjust Lever	1	
86	80-1484-262-00	Arm Grip (Red)	1	
87	0207-13800	Knife Clutch Lever	1	
88	89-2521-000120	E Type Ring 12	1	
89	80-1487-274-00	Cutting Height Lever Spring	1	
90	0207-76800	Washer 16*32*2.3	2	
91	89-2120-300252	Split Pin 3*25	2	
92	0207-70310	Cutting Clutch Wire	1	
93	89-1711-060002	Flat Washer 6	3	
94	89-2120-200152	Split Pin 2*15	3	
95	0207-78400	Spring For Knife Tension Return	1	
96	0217-10410	Up/Down Adjusting Shaft CMP	1	
97	89-1611-080042	Mini Hexagonal Nut M8	1	
98	89-1211-080257	Mini Hexagonal Bolt M8*25	1	
99	83-1020-312-00	Washer 8*30*3.2	2	
100	89-1232-080252	Mini Hexagonal Bolt (SW) M8*25	2	
101	0207-77510	Knife Brake Wire	1	
102	89-2181-060162	Flat Head Pin 6*16	2	
103	89-1211-080552	Mini Hexagonal Bolt M8*55	2	
104	89-1611-080042	Mini Hexagonal Nut M8	1	
105	0207-11710	Change Bracket CMP	1	
106	89-1236-080202	Mini Hexagonal Bolt (PWSW) M8*20	3	
107	83-1565-329-00	Washer 13*22*2.3	1	

Fig. 1 FRAME & CONTROL

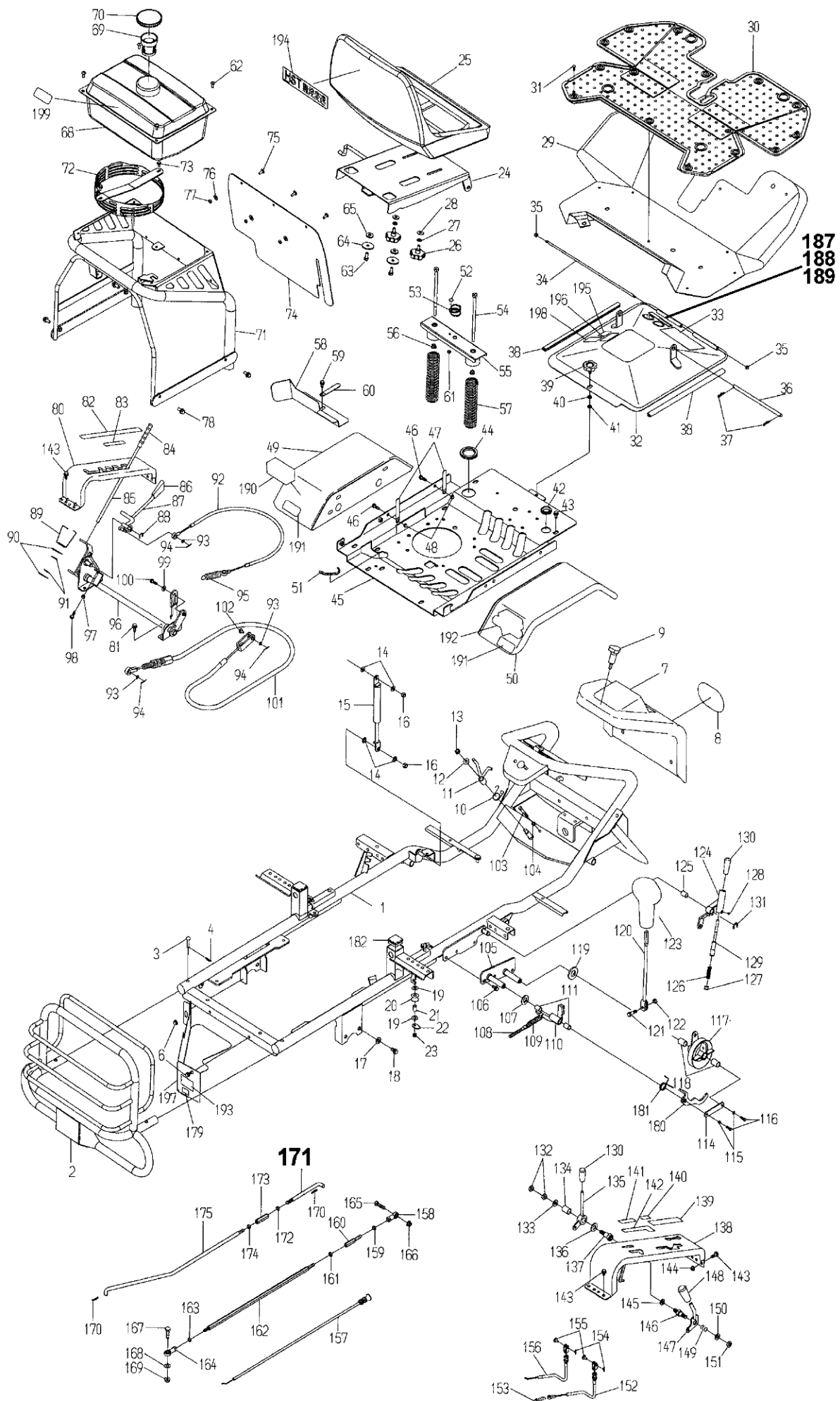


Fig.1 FRAME & CONTROL

Ref.	Parts No.	Parts Name	Quantity	Remarks
			RM94	
			B&S 18HP	
108	0207-72300	Change Brake Adjuster	1	
109	0207-72200	Change Brake Spring	1	
110	0207-11400	Change Brake	1	
111	89-3510-012200	DU Bush 12.20	2	
114	0207-11610	Change Beam	1	
115	89-1750-060002	Spring Washer 6	2	
116	89-1111-060142	Hexagonal Bolt M6*14	2	
117	0207-11310	Change Boss CMP	1	
118	89-3510-016250	DU Bush 16.25	2	
119	0207-76800	Washer 16*32*2.3	1	
120	0207-12900	Change Lever CMP	1	
121	89-1213-080302	Mini Hexagonal Bolt (8T) M8*30	1	
122	89-1561-080002	Mini Hexagonal U Nut M8	1	
123	0221-13200	Change Grip	1	
124	0207-11810	Sub Change Lever CMP	1	
125	89-3510-012200	DU Bush 12.20	1	
126	0207-77700	Push Lever Spring	1	
127	80-1321-218-00	Stopper Pin Holder	1	
128	89-1172-060085	Hexagonal Hole Screw M6*8	1	
129	0207-11900	Push Lever	1	
130	0207-72600	Lever Grip 8 (black)	2	
131	89-2521-000120	E Type Ring 12	1	
132	89-1511-100042	Hexagonal Nut M10	2	
133	89-1713-100002	Flat Washer 10 (large)	1	
134	89-3510-014150	DU Bush 14.15	1	
135	0207-12100	Throttle Lever	1	
136	89-1852-140001	Belleville Spring H14	2	
137	0207-12200	Throttle Lever Shaft	1	
138	0207-12510	Change Guide CMP	1	
139	0217-70500	Label, Change (13167)	1	
140	80-1488-924-00	Label, Chork (13118)	1	
141	0217-70200	Label, Throttle (13169)	1	
142	0217-70100	Label, Differential Lock (13168)	1	
143	89-1236-080162	Mini Hexagonal Bolt (PWSW) M8*16	8	
144	89-1631-080042	Flange Mini Hexagonal Nut M8	5	
145	89-1750-100002	Spring Washer 10	1	
146	0207-12400	Differential Lock Lever Shaft	1	
147	0207-12300	Differential Lock Lever CMP	1	
148	83-1210-425-00	Lever Grip 10	1	
149	80-1020-263-00	Control Lever Shaft Spring	1	
150	89-1714-100002	Flat Washer 10	1	
151	89-1561-100002	Mini Hexagonal U Nut M10	1	
152	0207-70700	Differential Lock Wire	1	
153	80-1425-551-00	Differential Lock Spring	1	
154	89-2132-060002	Snap Pin 6 (with stopper)	2	
155	89-2181-060162	Flat Head Pin 6*16	2	
156	0207-70200	Throttle Wire (B)	1	
157	0207-70500	Choke Wire B	1	
158	80-1487-962-10	Rod End PHS10ECL	1	
159	83-1488-195-02	Mini Hexagonal Nut M10 (L)	1	
160	80-1485-265-00	Shift Rod Adjuster	1	
161	89-1611-100042	Mini Hexagonal Nut M10	1	
162	0207-11500	Shift Rod	1	

Fig. 1 FRAME & CONTROL

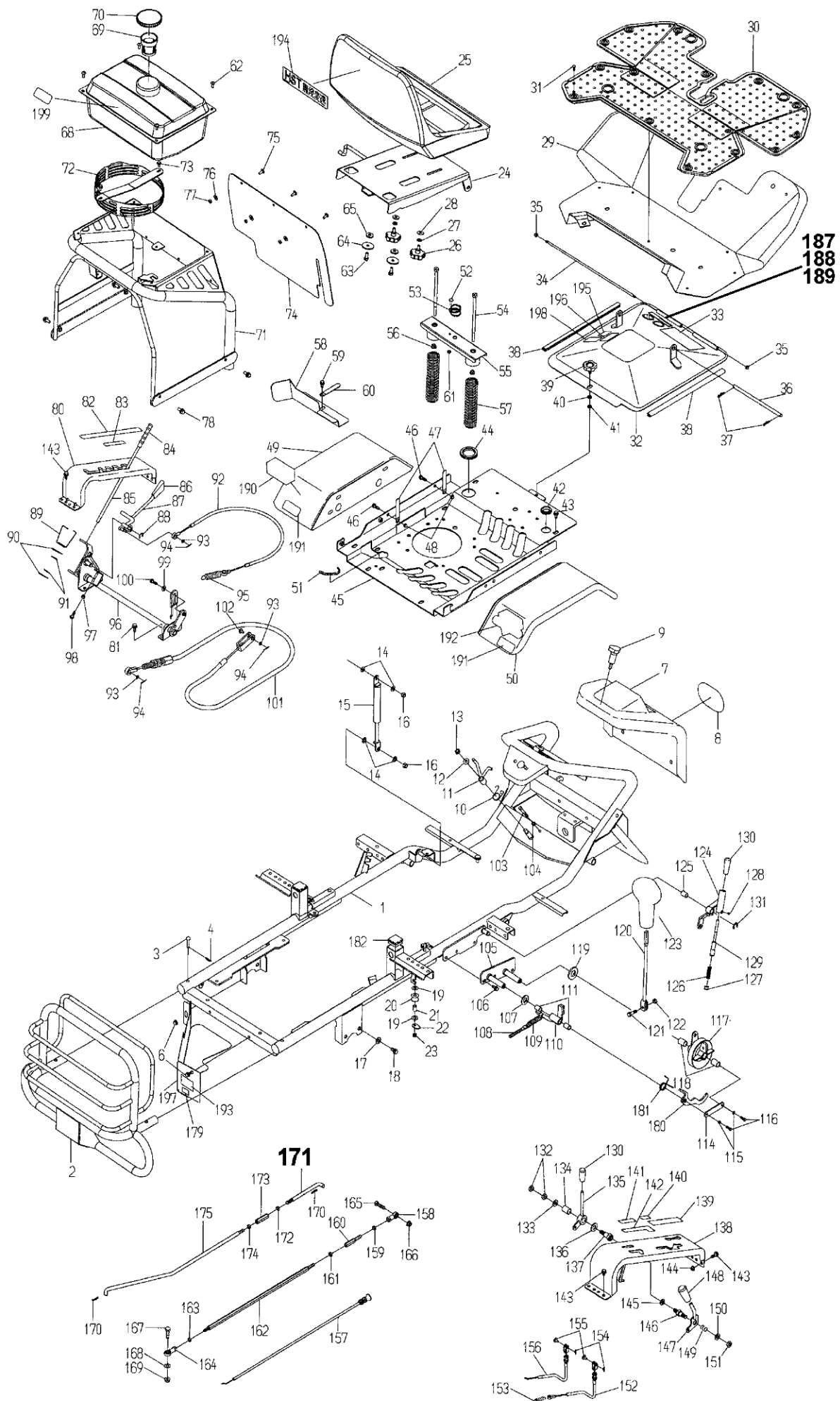


Fig.1 FRAME & CONTROL

Ref.	Parts No.	Parts Name	Quantity	Remarks
			RM94	
			B&S 18HP	
163	89-1611-100042	Mini Hexagonal Nut M10	1	
164	80-1487-964-10	Rod End PHS10EC	1	
165	89-1213-100302	Mini Hexagonal Bolt (8T) M10*30	1	
166	89-1631-100042	Flange Mini Hexagonal Nut M10	1	
167	89-1213-100352	Mini Hexagonal Bolt (8T) M10*35	1	
168	89-1711-100002	Flat Washer 10	1	
169	89-1631-100042	Flange Mini Hexagonal Nut M10	1	
170	89-2131-100002	Snap Pin 10	2	
171	0207-11100	Sub Change Rod (front)	1	
172	89-1611-080042	Mini Hexagonal Nut M8	1	
173	80-1791-597-00	Turn Buckle 8*50	1	
174	83-1484-195-00	Mini Hexagonal Nut M8 (L)	1	
175	0207-11200	Sub Change Rod (rear)	1	
179	0217-70800	Label, Gear Oil 1.0L	1	
180	0207-13400	Change Return Arm	1	
181	0207-79100	Spring For Change Return Arm	1	
182	0207-79500	Square Pipe Cap 38	2	
187	83-1310-902-00	OREC Mark	1	
188	0215-83200	Label, Protection Equipment	1	
189	0215-83100	Attention Mark for Slope	1	
190	Not for sale	Label, model RM94	1	
191	80-1484-907-00	Reflection Seat (Yellow)	2	
192	80-1484-903-00	Label, Rabbit	1	
193	80-1488-928-10	Label, Caution for Belt Involving	1	
194	0207-73700	Label, HST	1	
195	80-1010-933-00	Label, CE	1	
196	Not for sale	Label, Serial No.	1	
197	0217-61100	Rear Belt Cover	1	
198	80-1020-932-00	Label, Noise 100db	1	
199	0214-72100	Label, Caution for Engine etc	1	

Fig.2 TRANSMISSION

Ref.	Parts No.	Parts Name	Quantity	Remarks
			RM94	
			B&S 18HP	
1-98	0207-09930	Transmission Assy	1	
1-84	0207-09820	Gear Case Assy	1	
85-95 109.110	0207-09720	HST Unit Assy	1	
1	0207-00100	Transmission Case(L)	1	
2	0207-00200	Transmission Case(R)	1	
3	0207-00300	A Axle	1	
4	89-3115-060044	Bearing 6004 2RS	2	
5	89-2150-050160	Key 5*16 (round)	1	
6	0207-00400	20T Spiral Mita Gear(L)	1	
7	89-2511-000170	Snap Ring (S17)	1	
8	89-2151-050200	Key 5*20 (half round)	1	
9	89-2512-000420	Snap Ring (R42)	1	
10	89-5121-204208	Oil Seal UE 20.42.8	1	
11	0207-40200	Transmission Pulley	1	
12	83-1482-311-00	Washer 6.5*22*3.2	1	
13	89-1750-060002	Spring Washer 6	1	
14	89-1113-060202	Hexagonal Bolt (8T) M6*20	1	
15	0207-01700	Swing Arm CMP	1	
16	0207-01600	Shift Fork Shaft CMP	1	
17	89-3410-080000	Steel Ball 8.0	1	
18	80-1310-138-00	Spring 1.4	1	
19	0207-01900	Shift Spring Holder	1	
20	83-1020-148-00	Tapping Bolt M6*14	2	
21	89-5121-122207	Oil Seal UE 12.22.7	2	
22	0207-02500	Sub Change Arm	1	
23	89-1543-080002	Mini Hexagonal Nut (SW) M8	2	
24	89-3111-060044	Bearing 6004	4	
25	0207-00600	B Axle	1	
26	0207-00500	20T Spiral Mita Gear(R)	1	
27	0207-00700	C Axle	1	
28	0207-00910	Shift Gear 22-28	1	
29	0207-00800	C Axle Collar 9	1	
30	89-3111-062024	Bearing 6202	2	
31	83-1020-361-00	Thrust Washer 15*24*1.0	1	
32	0207-01210	Brake Shaft 40T Gear	1	
33	0207-01100	Brake Shaft	1	
34	0207-01310	Brake Shaft 34T Gear	1	
35	0207-01500	Brake Shaft Collar 8	1	
36	89-5121-153007	Oil Seal UE 15.30.7	1	
37	89-2511-000150	Snap Ring (S15)	1	
38-41	0207-73000	Brake Assy	1	
38	80-1030-282-00	Brake Drum (PA-7)	1	
39	80-1030-288-00	Brake Cover PK (PA-7)	1	
40	80-1030-284-00	Brake Shoe(PA-7) (0244-88100)	1	
41	0207-73100	Brake Cap Assy	1	
42	89-1750-060002	Spring Washer 6	4	
43	89-1113-060122	Hexagonal Bolt (8T) M6*12	4	
44	0207-10300	Brake Joint	1	
45	89-1714-080002	Flat Washer 8	1	
46	89-2120-250202	Split Pin 2.5*20	1	
47	89-3111-062034	Bearing 6203	2	
48	0207-01400	D Axle 37T Gear	1	

Fig. 2 TRANSMISSION

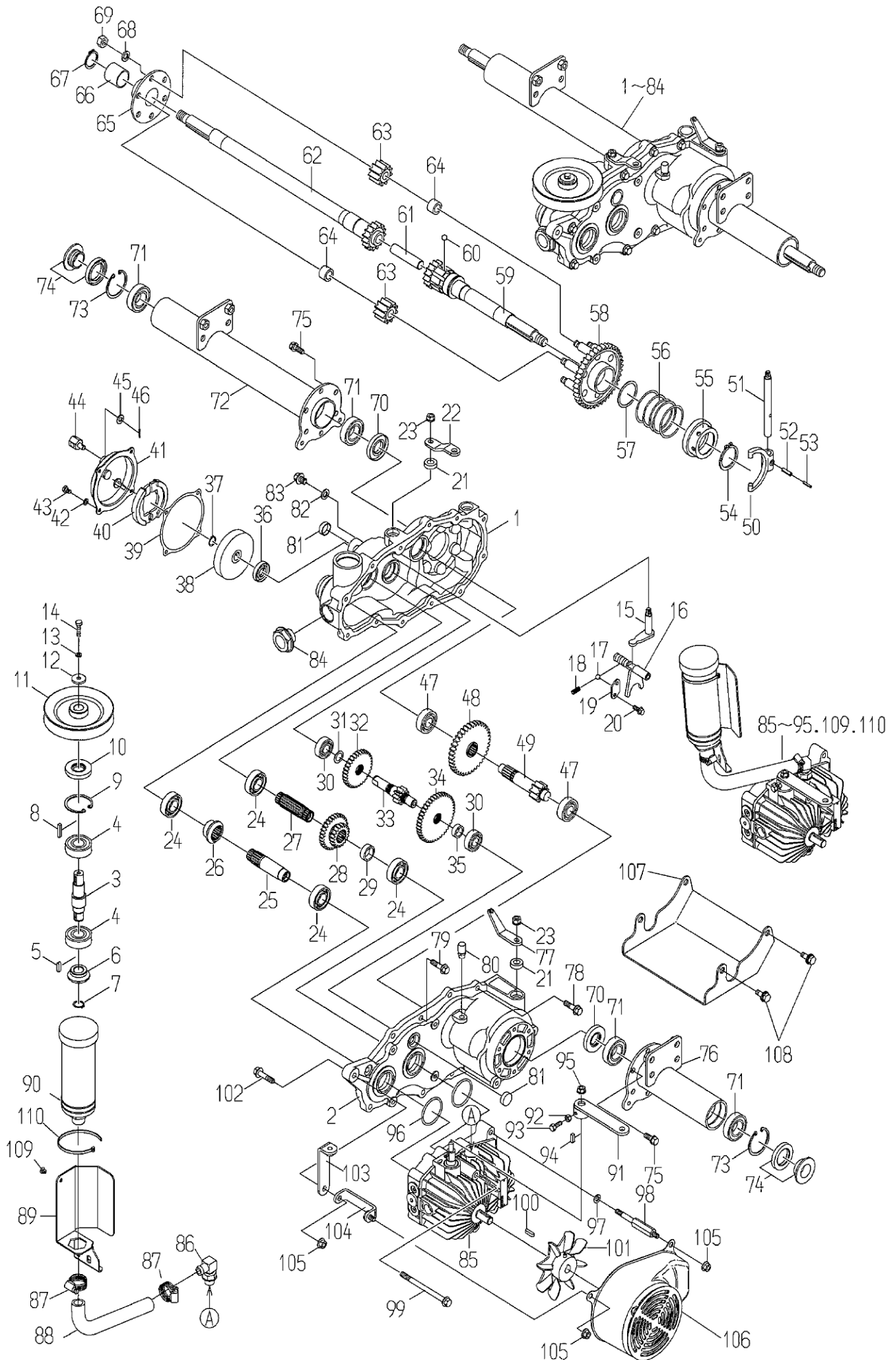


Fig.2 TRANSMISSION

Ref.	Parts No.	Parts Name	Quantity	Remarks
			RM94	
			B&S 18HP	
49	0207-02700	D Axle	1	
50	80-1830-113-00	Differential Lock Fork	1	
51	0207-01800	Differential Lock Fork Shaft	1	
52	89-2111-050020	Spring Pin 5*20	1	
53	89-2111-030020	Spring Pin 3*20	1	
54	89-2511-000400	Snap Ring (S40)	1	
55	80-1425-143-00	Differential Lock Cone	1	
56	80-1751-162-00	Differential Lock Spring	1	
57	83-1830-382-00	Thrust Washer 40*48*1.0	1	
58	0207-02800	Axle Gear CMP	1	
59	0207-02220	Axle(R) CMP	1	
60	89-3410-075000	Steel Ball 7.5	3	
61	80-1415-150-00	Axle Pin	1	
62	0207-02120	Axle(L) CMP	1	
63	80-1481-152-00	Differential Lock Gear 11T	4	
64	80-1481-155-00	Differential Gear Shaft Collar	4	
65	80-1481-151-00	Differential Lock Plate	1	
66	89-3510-028300	DU Bush 28.30	1	
67	89-2511-000280	Snap Ring (S28)	1	
68	89-1750-100002	Spring Washer 10	6	
69	89-1613-100042	Mini Hexagonal Nut (3 sorts) M10	6	
70	89-5121-284708	Oil Seal UE 28.47.8	2	
71	89-3115-060054	Bearing 6005 2RS	4	
72	0207-02310	Axle Case(L) CMP	1	
73	89-2512-000470	Snap Ring (R47)	2	
74	83-1415-663-00	Oil Seal AP 30.47.7	2	
75	89-1235-080202	Mini Hexagonal Bolt (SW) M8*20	12	
76	0207-02410	Axle Case(R) CMP	1	
77	80-1488-153-00	Differential Lock Arm	1	
78	89-1251-080253	Flange Mini Hexagonal Bolt M8*25	9	
79	83-1482-143-00	Tapping Bolt M8*25	3	
80	0207-06100	Air Bleezer	1	
81	83-1415-671-00	Blind Cover 22	2	
82	83-1020-349-00	Copper Packing 10.5*18*1.6	1	
83	89-1252-100122	Flange Mini Hexagonal Bolt M10*12 (slender)	1	
84	83-1032-689-00	Oil Gauge KMS28A	1	
85	0207-07110	HST Unit	1	
86	0207-07700	Port Joint	1	
87	0228-70200	Horse Band 24	2	
88	0228-70100	Oil Hose	1	
89	0207-08220	Oil Tank Setting	1	
90	0207-07630	Oil Tank	1	
91	0207-02610	Control Arm CMP	1	
92	89-1511-060042	Hexagonal Nut M6	1	
93	89-1113-060162	Hexagonal Bolt (8T) M6*16	1	
94	89-2151-050160	Key 5*16 (half round)	1	
95	89-1543-080002	Mini Hexagonal Nut (SW) M8	1	
96	89-5222-045000	O Ring G45	2	
97	89-1750-080002	Spring Washer 8	2	
98	0207-07300	Double Spring Bolt	2	
99	89-1251-081123	Flange Mini Hexagonal Bolt M8*112	2	
100	89-2150-050200	Key 5*20 (round)	1	

Fig. 2 TRANSMISSION

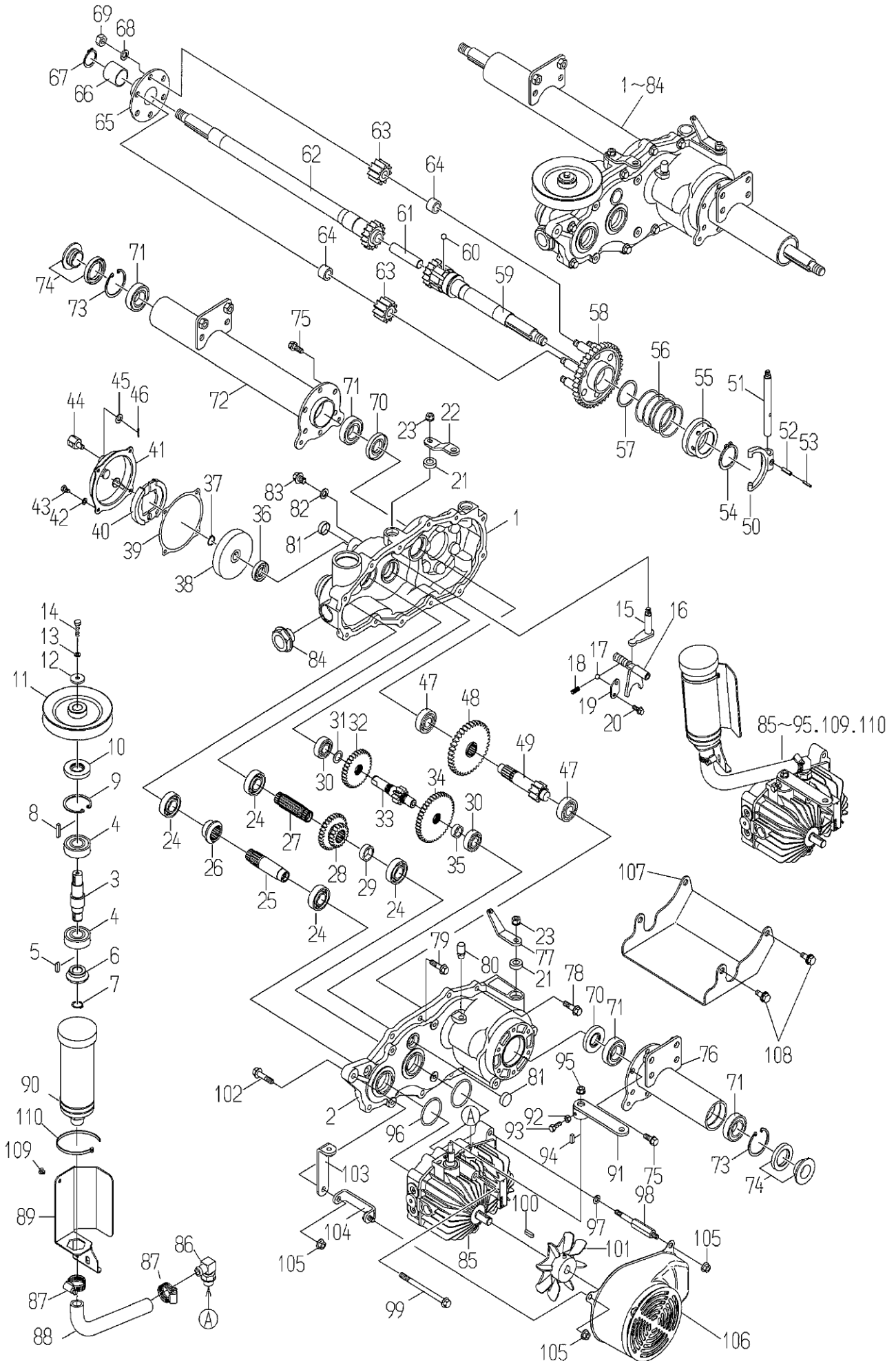


Fig.2 TRANSMISSION

Ref.	Parts No.	Parts Name	Quantity	Remarks
			RM94	
			B&S 18HP	
101	0207-07500	Fan	1	
102	89-1251-080352	Flange Mini Hexagonal Bolt M8*35	1	
103	0207-05100	Transmission Hunger Stay CMP	1	
104	0207-07400	Fan Cover Setting CMP	1	
105	89-1631-080042	Flange Mini Hexagonal Nut M8	3	
106	0207-07200	Fan Cover CMP	1	
107	0207-03100	Mission Guard CMP	1	
108	89-1236-080162	Mini Hexagonal Bolt (PWSW) M8*16	4	
109	0207-79800	Push Clip	1	
110	0207-79900	Wire Band 250L	1	

Fig. 3 FRONT AXLE & TIRE

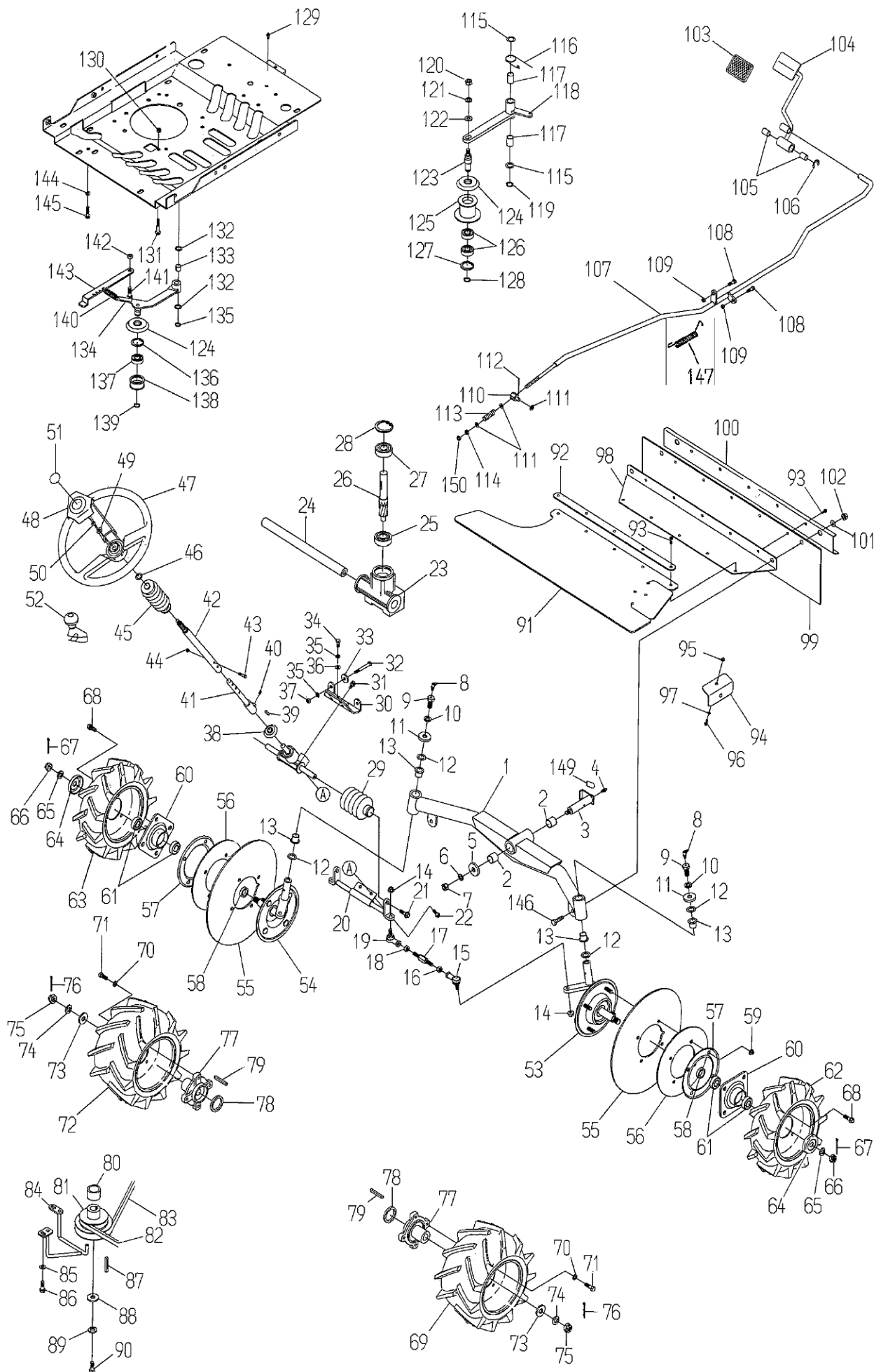


Fig.3 FRONT AXLE & TIRE

Ref.	Parts No.	Parts Name	Quantity	Remarks
			RM94	
			B&S 18HP	
1	0207-30100	Front Axle CMP	1	
2	89-3510-025350	DU Bush 25.35	2	
3	0207-30700	Center Pin	1	
4	83-1415-975-00	Grease Nipple M6	1	
5	89-1713-120002	Flat Washer 12 (large)	1	
6	89-1750-120002	Spring Washer 12	1	
7	89-1551-120002	Hexagonal U Nut M12	1	
8	83-1515-975-00	Grease Nipple C-Type M6	2	
9	84-1783-791-00	Grease Nipple Bolt M14	2	
10	89-1750-140002	Spring Washer 14	2	
11	84-1783-729-00	Dust Cover	2	
12	83-1310-371-00	Thrust Washer 20*30*1.0	4	
13	89-3511-020200	DU Bush 20.20.31F	4	
14	83-1493-255-00	Flange Lock Nut M10 (slender)	4	
15	80-1493-963-00	Link Ball LHSA 10DLE21	2	
16	83-1493-195-00	Hexagonal Nut (slender) M10 Left	2	
17	0207-13100	Tie Rod Adjuster	2	
18	89-1512-100042	Hexagonal Nut M10 (slender)	2	
19	80-1493-962-00	Link Ball LHSA 10DE21	2	
20	80-1484-321-30	Rack Support	1	
21	89-1124-100253	Washer Based Bolt M10*25 (slender)	2	
22	83-1020-143-00	Tapping Bolt M8*18	2	
23-28	80-1484-962-10	Steering Gear Box Assy	1	
23	80-1484-963-00	Steering Gear Box	1	
24	80-1484-965-00	Steering Horizontal Shaft	1	
25	89-3111-062024	Bearing 6202	1	
26	80-1484-964-00	Steering Vartical Shaft	1	
27	89-3114-062024	Bearing 6202 ZZ	1	
28	89-2512-000350	Snap Ring (R35)	1	
29	80-1490-967-00	Steering Boots	2	
30	80-1484-327-20	Steering Bracket	1	
31	89-1232-080162	Mini Hexagonal Bolt (SW) M8*16	4	
32	89-1211-080702	Mini Hexagonal Bolt M8*70	2	
33	83-1020-312-00	Washer 8*30*3.2	2	
34	89-1213-080202	Mini Hexagonal Bolt (8T) M8*20	2	
35	89-1750-080002	Spring Washer 8	4	
36	89-1713-080002	Flat Washer 8 (large)	2	
37	89-1611-080042	Mini Hexagonal Nut M8	2	
38	80-1016-461-00	Bearing Cover	1	
39	89-2150-050200	Key 5*20 (round)	1	
40	83-1493-149-00	Hexagonal Screw M8*10	1	
41	80-1481-324-10	Steering Lower Shaft	1	
42	0262-10200	Steering Upper Shaft	1	
43	89-1113-060352	Hexagonal Bolt (8T) M6*35	1	
44	89-1553-060002	Bag Hexagonal U Nut M6	1	
45	80-1484-325-00	Steering Shaft Cover	1	
46	83-1020-363-00	Thrust Washer 16*24*1.0	1	
47	0262-70400	Steering Wheel	1	
48	0262-70500	Steering Cap	1	
49	89-1713-100002	Flat Washer 10 (large)	1	
50	89-1561-100002	Mini Hexagonal U Nut M10	1	
51	80-1484-914-00	Label, Handle (25330)	1	

Fig. 3 FRONT AXLE & TIRE

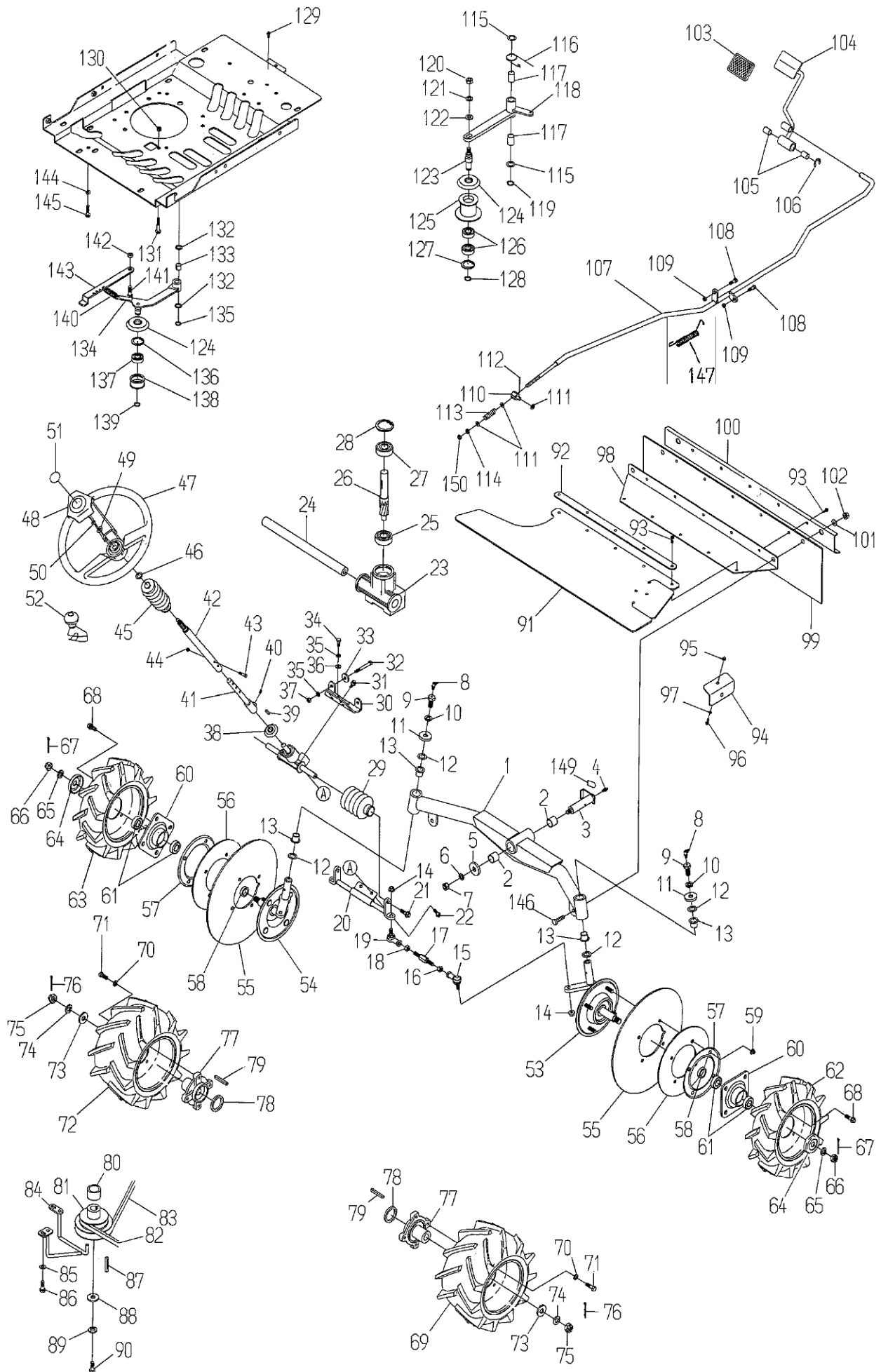


Fig.3 FRONT AXLE & TIRE

Ref.	Parts No.	Parts Name	Quantity	Remarks
			RM94	
			B&S 18HP	
52	0262-70300	Sub Handle Assy	1	
53	0207-30310	King Pin (R) CMP	1	
54	0207-30210	King Pin (L) CMP	1	
55	0207-30600	Front Wheel Rubber Cover	2	
56	0207-30800	Front Wheel Rubber Cover (IN)	2	
57	0207-30900	Front Wheel Rubber Cover Support	2	
58	0207-31100	King Pin Collar	2	
59	89-1631-080042	Flange Mini Hexagonal Nut M8	8	
60	0207-30410	Front Wheel Boss CMP	2	
61	89-3115-060044	Bearing 6004 2RS	4	
62	80-1260-412-00	Front Wheel Tire (R) Assy (3.50-7)	1	
63	80-1260-411-00	Front Wheel Tire (L) Assy (3.50-7)	1	
64	0207-30500	Front Wheel Dust Cover	2	
65	89-1750-140002	Spring Washer 14	2	
66	89-1668-140042	Mini Low Fluted Nut (2 sorts) M14	2	
67	89-2120-250252	Split Pin 2.5*25	2	
68	89-1232-100202	Mini Hexagonal Bolt (SW) M10*20	8	
69	80-1751-412-00	Tire (R) Assy (16*7.00-8)	1	
70	89-1750-100002	Spring Washer 10	8	
71	89-1213-100252	Mini Hexagonal Bolt (8T) M10*25	8	
72	80-1751-411-00	Tire (L) Assy (16*7.00-8)	1	
73	83-1630-335-00	Washer 16*40*4.5	2	
74	89-1750-160002	Spring Washer 16	2	
75	89-1658-160042	Low Fluted Nut (2 sorts) M16	2	
76	89-2120-350352	Split Pin 3.5*35	2	
77	0207-31200	Rear Wheel Boss	2	
78	0207-77800	Wheel Boss Dust Seal	2	
79	89-2150-070500	Key 7*50 (round)	2	
80	80-1485-513-00	Engine Collar 26	1	
81	0207-40110	Engine Pulley	1	
82	89-6123-003203	V Belt LB-32 (SG1000)	1	
83	89-6123-007503	V Belt SB-75 (SG1000)	1	
84	0207-41310	Knife Belt Holder (Engine) CMP	1	
85	89-1713-100002	Flat Washer 10 (large)	2	
86	89-1232-100202	Mini Hexagonal Bolt (SW) M10*20	2	
87	83-1437-205-00	Key 1/4 inch *40	1	
88	80-1487-516-00	Washer 11*40*6	1	
89	83-1493-300-00	Spring Washer 7/16	1	
90	83-1482-115-00	Hexagonal Bolt(8T) UNF7/16-20*45	1	
91	0207-60700	Upper Flapper	1	
92	0207-60800	Upper Flapper Holder	1	
93	89-1137-060152	Hexagonal Bolt (PW) M6*15	10	
94	0207-60900	Upper Flapper Holder (R)	1	
95	83-1575-189-00	Flange Cap Nut M6	2	
96	89-1137-060172	Hexagonal Bolt (PW) M6*17	1	
97	89-1713-060002	Flat Washer 6 (large)	1	
98	0207-60600	Front Upper Guard	1	
99	0228-60500	Front Flapper	1	
100	0217-63400	Foot Guard	1	
101	89-1713-100002	Flat Washer 10 (large)	2	
102	89-1543-100002	Mini Hexagonal Nut (SW) M10	2	
103	80-1781-943-00	Pedal Rubber	1	

Fig. 3 FRONT AXLE & TIRE

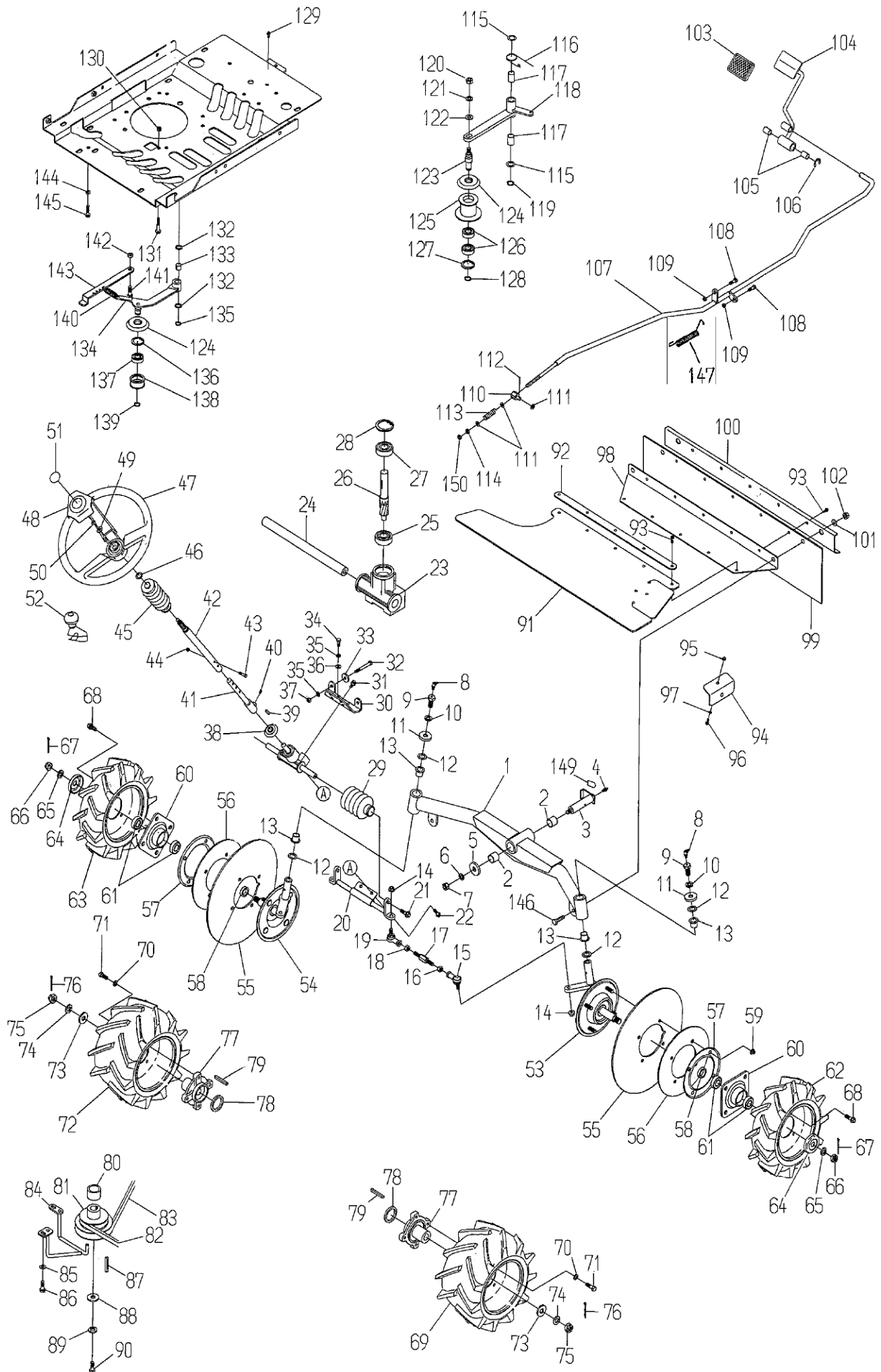


Fig.3 FRONT AXLE & TIRE

Ref.	Parts No.	Parts Name	Quantity	Remarks
			RM94	
			B&S 18HP	
104	0207-10100	Brake Pedal	1	
105	89-3510-016250	DU Bush 16.25	2	
106	89-2521-000150	E Type Ring 15	1	
107	0207-10200	Brake Rod	1	
108	89-1213-100352	Mini Hexagonal Bolt (8T) M10*35	2	
109	89-1611-100042	Mini Hexagonal Nut M10	2	
110	0207-10300	Brake Joint	1	
111	89-1711-080002	Flat Washer 8	3	
112	89-2120-200152	Split Pin 2*15	1	
113	0207-75400	Brake Spring 30	1	
114	89-1611-080042	Mini Hexagonal Nut M8	1	
115	83-1020-363-00	Thrust Washer 16*24*1.0	2	
116	80-1483-568-00	Knife Tension Return Spring	1	
117-128	0207-41000	Knife Tension Arm Assy	1	
117	89-3510-016250	DU Bush 16.25	2	
118	0207-41210	Knife Tension Arm	1	
119	89-2511-000160	Snap Ring (S16)	1	
120	89-1611-100042	Mini Hexagonal Nut M10	1	
121	89-1750-100002	Spring Washer 10	1	
122	89-1713-100002	Flat Washer 10 (large)	1	
123	83-1482-763-00	Tension Pulley Shaft	1	
124	80-1482-549-00	Rubber Cover 58	2	
125	83-1483-782-00	Knife Tension Pulley	1	
126	89-3114-062024	Bearing 6202 ZZ	2	
127	89-2512-000350	Snap Ring (R35)	1	
128	89-2511-000150	Snap Ring (S15)	1	
129	83-1415-975-00	Grease Nipple M6	1	
130	89-1543-080002	Mini Hexagonal Nut (SW) M8	4	
131	89-1213-080402	Mini Hexagonal Bolt (8T) M8*40	4	
132	83-1020-363-00	Thrust Washer 16*24*1.0	2	
133	89-3510-016150	DU Bush 16.15	2	
134	0207-42100	Drive Tension Arm CMP	1	
135	89-2511-000160	Snap Ring (S16)	1	
136	89-2512-000400	Snap Ring (R40)	1	
137	89-3117-062034	Bearing 6203 2RD	1	
138	83-1032-765-00	Tension Pulley	1	
139	89-2511-000170	Snap Ring (S17)	1	
140	0207-72500	Drive Tension Spring	1	
141	89-1211-100252	Mini Hexagonal Bolt M10*25	1	
142	89-1611-100042	Mini Hexagonal Nut M10	1	
143	0207-41100	Drive Tension Spring Arm	1	
144	89-1611-080042	Mini Hexagonal Nut M8	1	
145	89-1211-080352	Mini Hexagonal Bolt M8*35	1	
146	89-1213-100357	Mini Hexagonal Bolt (8T) M10*35	2	
147	80-1493-354-00	Rod Return Spring	1	
149	0215-81500	Label Grease	4	
150	83-1490-198-00	Hexagonal U Nut M8 (Lock)	1	

Fig. 4 ELECTRIC EQUIPMENT COVER & HOSE

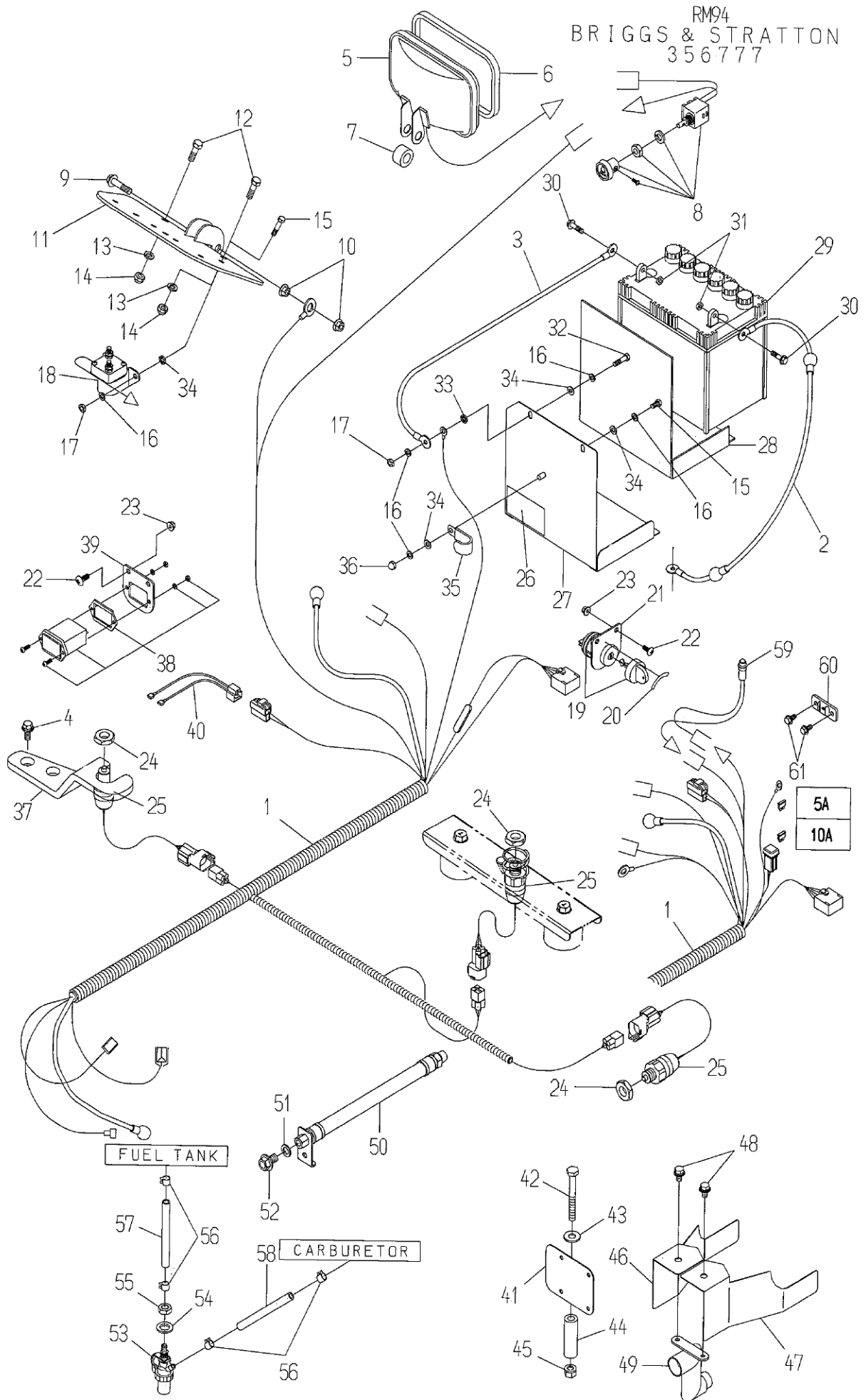


Fig.4 ELECTRIC EQUIPMENT COVER & HOSE (356777)

Ref.	Parts No.	Parts Name	Quantity	Remarks
			RM94	
			B&S 18HP	
1	0207-75110	Wire Harness B	1	
2	0207-77100	Battery Plus Cord 230	1	
3	0207-77200	Battery Minus Cord 230	1	
4	89-1236-080202	Mini Hexagonal Bolt (PWSW) M8*20	2	
5	0207-74300	Head Lamp	1	
6	0207-75300	Tape	1	
7	0207-21100	Light Setting Collar	1	
8	80-1484-337-00	Lighting Switch (B15930)	1	
9	89-1211-080352	Mini Hexagonal Bolt M8*35	1	
10	89-1631-080042	Flange Mini Hexagonal Nut M8	2	
11	0207-20800	Light Bracket	1	
12	89-1211-080162	Mini Hexagonal Bolt M8*16	2	
13	89-1750-080002	Spring Washer 8	2	
14	89-1671-080042	Mini Cap Nut M8	2	
15	89-1111-060142	Hexagonal Bolt M6*14	3	
16	89-1750-060002	Spring Washer 6	6	
17	89-1511-060042	Hexagonal Nut M6	3	
18	80-1483-978-00	Magnetic Switch (MS2-401)	1	
19	0207-79700	Key Switch	1	
20	80-1488-912-00	Label, Key (13121)	1	
21	80-1482-332-00	Key Switch Bracket	1	
22	89-1159-060168	Truss Mini Screw M6*16	4	
23	89-1631-060042	Flange Hexagonal Nut M6	4	
24	0207-72800	Switch Lock Nut	3	
25	0207-74400	Safety Switch K17850	3	
26	80-1488-921-00	Label Pedal Stopper (13113)	1	
27	80-1490-383-40	Battery Carrier	1	
28	80-1482-971-00	Cushion Rubber (Battery)	1	
29	80-1792-976-00	Battery (32A-19L)	1	
30	Battery Parts	Flange Bolt M6*20	2	
31	Battery Parts	Hexagonal Nut M6	2	
32	89-1111-060252	Hexagonal Bolt M6*25	1	
33	89-1812-060002	Toothed washer (inside) 6	2	
34	89-1713-060002	Flat Washer 6 (large)	3	
35	80-1792-988-00	Harness Clip 8	2	
36	89-1571-060042	Cap Nut M6	1	
37	0207-10610	Cutting Height Switch Bracket	1	
38	85-1484-941-00	Hour Meter	1	
39	85-1484-943-10	Hour Meter Bracket	1	
40	85-1484-942-00	Wire Harness for Hour Meter	1	
41	0217-40500	Muffler Fixing Plate CMP	1	
42	89-1211-101002	Mini Hexagonal Bolt M10*100	1	
43	89-1713-100002	Flat Washer 10 (large)	1	
44	0207-41400	Muffler Fixing Pipe (73L)	1	
45	89-1543-100002	Mini Hexagonal Nut (SW) M10	1	
46	0207-41700	Exhaust Cover B (L)	1	
47	0207-41600	Exhaust Cover B (R)	1	
48	89-1236-080162	Mini Hexagonal Bolt (PWSW) M8*16	2	
49	0207-41500	Exhaust Adapter B	1	
50	0207-40300	Oil Drain B	1	
51	0207-74900	Copper Packing 12.5*19*1.0	1	
52	89-1251-120152	Flange Mini Hexagonal Bolt M12*15	1	

Fig. 4 ELECTRIC EQUIPMENT COVER & HOSE

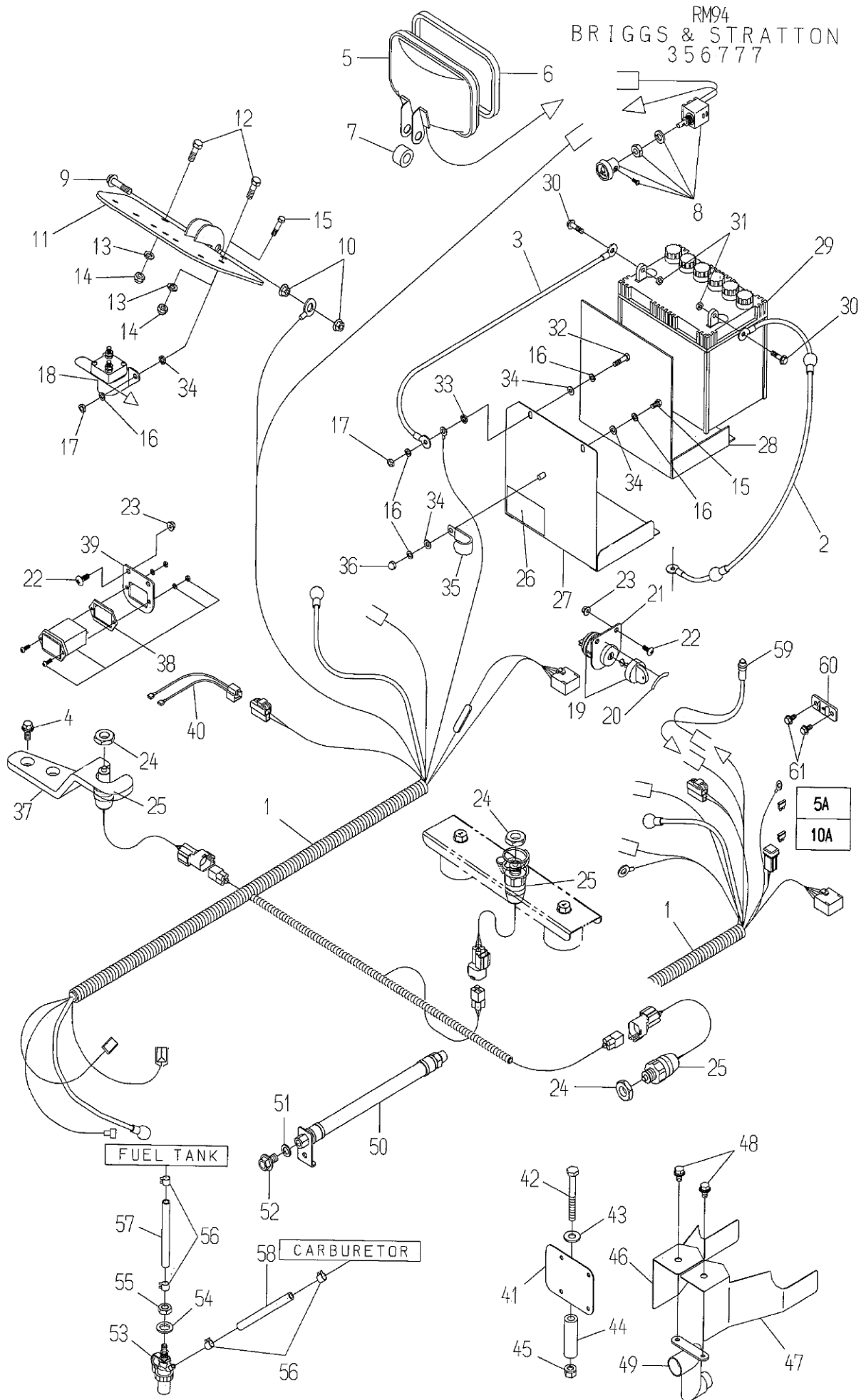


Fig.4 ELECTRIC EQUIPMENT COVER & HOSE (356777)

Ref.	Parts No.	Parts Name	Quantity	Remarks
			RM94	
			B&S 18HP	
53	0207-79600	Fuel Cock	1	
54	89-1714-120002	Flat Washer 12	1	
55	89-1514-120042	Hexagonal Nut (3 sorts) M12 (slender)	1	
56	80-1487-487-00	Hose Clip	4	
57	0207-71600	Fuel Hose	1	
58	0207-71700	Fuel Hose B	1	
59	0207-79300	Pilot Lamp	1	
60	0207-79200	Fuse Box Bracket	1	
61	89-1137-060122	Hexagonal Bolt (PW) M6*12	2	

Fig. 5 CUTTING PARTS & COVER

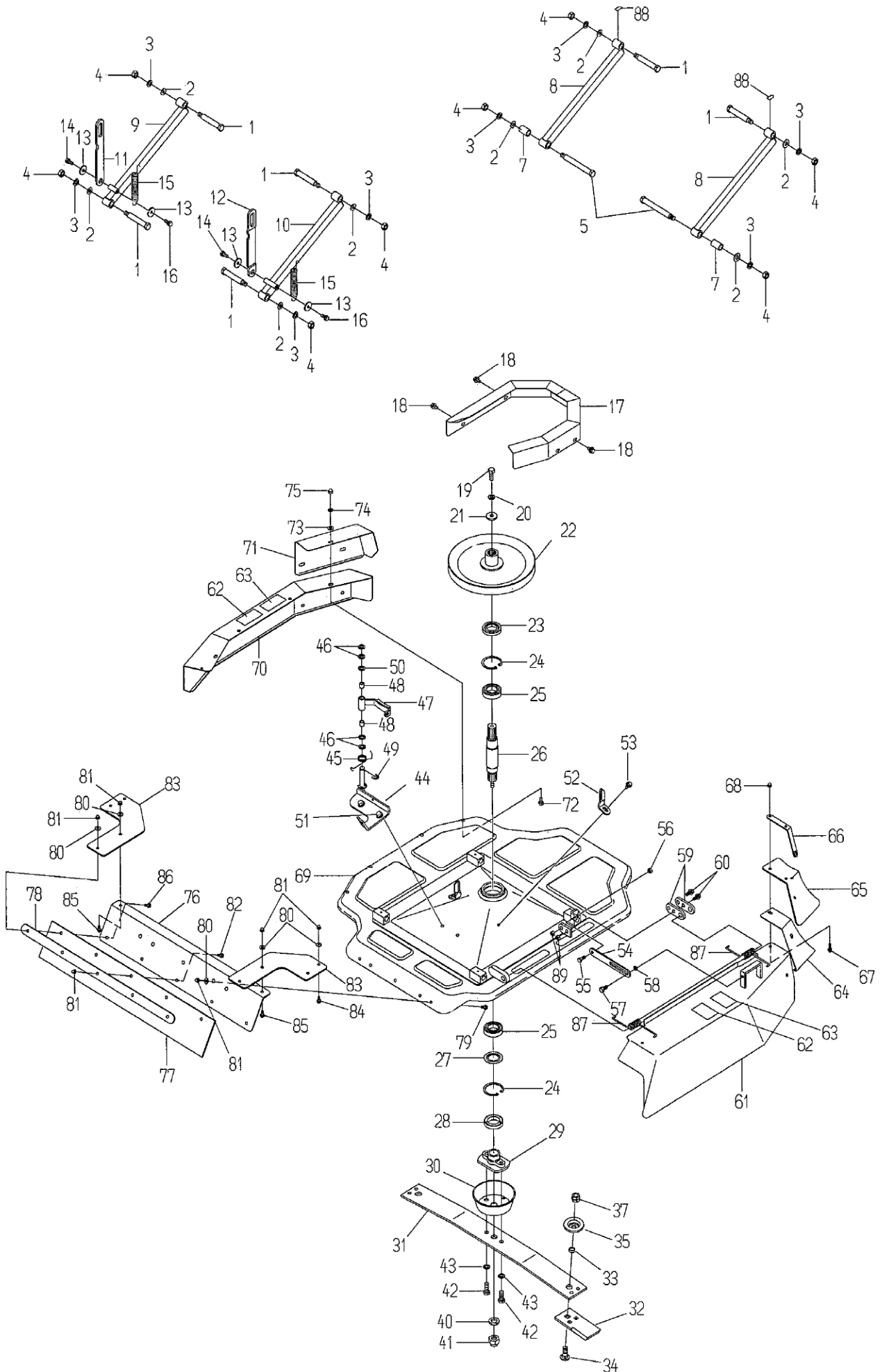


Fig.5 CUTTING PARTS & COVER

Ref.	Parts No.	Parts Name	Quantity	Remarks
			RM94	
			B&S 18HP	
1	80-1481-709-10	Link Bolt	6	
2	89-1711-120002	Flat Washer 12	8	
3	89-1750-120002	Spring Washer 12	8	
4	89-1551-120002	Hexagonal U Nut M12	8	
5	0207-51600	Link Bolt	2	
7	0207-51500	Link Collar	2	
8	0207-51100	Link Arm (Front)	2	
9	0207-51200	Link Arm (L)	1	
10	0207-51300	Link Arm (R)	1	
11	0217-10810	Connecting Plate(L)	1	
12	0217-10910	Connecting Plate(R)	1	
13	83-1751-311-00	Washer 8*25*2.3	4	
14	89-1232-080252	Mini Hexagonal Bolt (SW) M8*25	2	
15	0207-76200	Spring	2	
16	89-1232-080162	Mini Hexagonal Bolt (SW) M8*16	2	
17	80-1484-501-20	Knife Belt Cover	1	
18	89-1236-080162	Mini Hexagonal Bolt (PWSW) M8*16	3	
19	89-1213-120302	Mini Hexagonal Bolt (8T) M12*30	1	
20	89-1750-120002	Spring Washer 12	1	
21	83-1483-328-00	Washer 12*36*4.5	1	
22	0207-50400	Knife Pulley CMP	1	
23	89-5121-356210	Oil Seal UE 35.62.10	1	
24	89-2512-000620	Snap Ring (R62)	2	
25	89-3115-060074	Bearing 6007 2RS	2	
26	80-1493-641-00	Vertical Shaft	1	
27	80-1493-824-00	Dust Plate	1	
28	89-5121-406212	Oil Seal UE 40.62.12	1	
29	80-1493-833-00	Knife Bracket	1	
30	80-1493-836-00	Knife Neck Guard	1	
31	0217-50500	Knife Stay	1	
32	80-1483-821-00	Knife	2	
33	80-1483-818-00	Knife Collar	2	
34,35,37	0244-78200	Knife Setting Bolt Set M14		
34	0207-50200	Knife Setting Bolt M14*34	2	
35	0244-51800	Nut Guard 14	2	
37	0244-74600	Hard Lock Nut M14	2	
40	89-1750-200002	Spring Washer 20	1	
41	83-1483-175-00	Bag Nut M20 (Lock)	1	
42	83-1483-129-00	Mini Hexagonal Bolt (8T) M12*30	2	
43	89-1750-120002	Spring Washer 12	2	
44	0207-52120	Knife Brake Bracket CMP (NEW)	1	
45	80-1482-373-00	Brake Return Spring	1	
46	83-1565-329-00	Washer 13*22*2.3	4	
47	80-1482-371-30	Knife Brake (6t)	1	
48	89-3510-012200	DU Bush 12.20	2	
49	89-2521-000100	E Type Ring 10	2	
50	83-1754-329-00	Washer 13*22*1.0	1	
51	89-1236-080202	Mini Hexagonal Bolt (PWSW) M8*20	2	
52	80-1484-617-00	Knife Pulley Belt Holder	2	
53	89-1236-080202	Mini Hexagonal Bolt (PWSW) M8*20	2	
54	0217-51400	Right Cover Up/Down Arm	1	
55	89-1213-080202	Mini Hexagonal Bolt (8T) M8*20	1	

Fig. 5 CUTTING PARTS & COVER

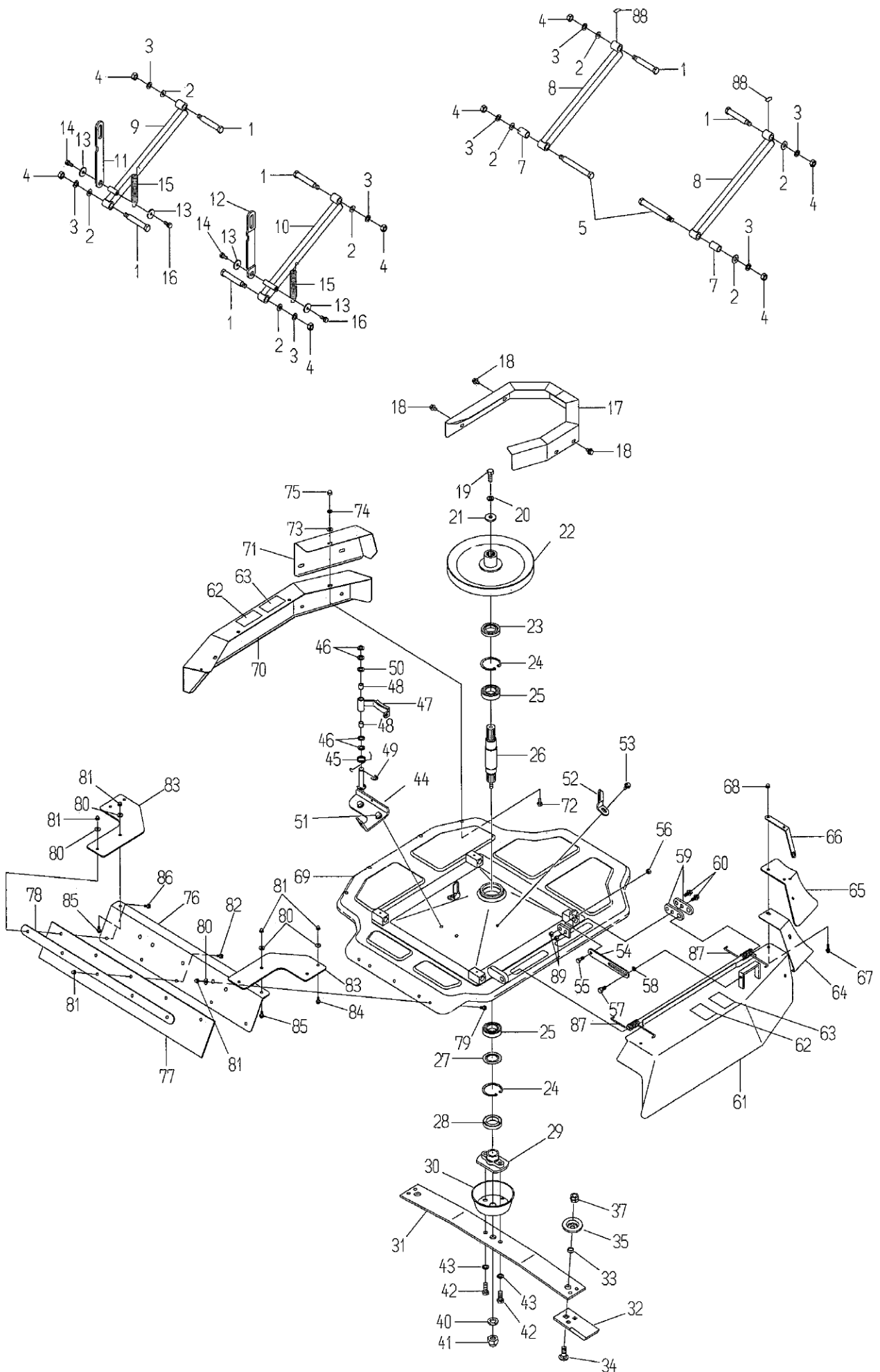


Fig.5 CUTTING PARTS & COVER

Ref.	Parts No.	Parts Name	Quantity	Remarks
			RM94	
			B&S 18HP	
56	89-1561-080002	Mini Hexagonal U Nut M8	1	
57	80-1488-747-00	Bolt for Right Cover Up/Down Arm	1	
58	89-1750-080002	Spring Washer 8	1	
59	0207-60100	Right Cover Joint (front)	2	
60	89-1235-080302	Mini Hexagonal Bolt (SW) M8*30	2	
61	0207-60220	Right Cover CMP	1	
62	80-1488-928-10	Label, Caution for Belt Involving	2	
63	80-1488-926-10	Label, Caution for Knife	2	
64	0217-63200	Right Front Cover	1	
65	0207-61400	Right Cover Flapper	1	
66	0207-61500	Right Cover Flapper Holder	1	
67	89-1137-060172	Hexagonal Bolt (PW) M6*17	2	
68	83-1575-189-00	Flange Cap Nut M6	2	
69	0207-50120	Safety Cover	1	
70	0217-60300	Left Cover CMP	1	
71	0217-63300	Left Front Cover	1	
72	89-1211-080162	Mini Hexagonal Bolt M8*16	6	
73	89-1714-080002	Flat Washer 8	6	
74	89-1750-080002	Spring Washer 8	6	
75	89-1671-080042	Mini Cap Nut M8	6	
76	0217-60500	Rear Guard	1	
77	0207-61700	Rear Guard Flapper	1	
78	0207-61800	Rear Guard Flapper Holder	1	
79	89-1137-060152	Hexagonal Bolt (PW) M6*15	5	
80	89-1713-060002	Flat Washer 6 (large)	17	
81	83-1575-189-00	Flange Cap Nut M6	17	
82	89-1137-060172	Hexagonal Bolt (PW) M6*17	3	
83	0207-61310	Rear Side Flapper	2	
84	89-1137-060122	Hexagonal Bolt (PW) M6*12	5	
85	89-1137-060152	Hexagonal Bolt (PW) M6*15	5	
86	89-1137-060202	Hexagonal Bolt (PW) M6*20	2	
87	0217-71100	Spring for Right Cover	2	
88	0215-81900	Label, Oiling	6	
89	89-1611-080042	Mini Hexagonal Nut M8	2	