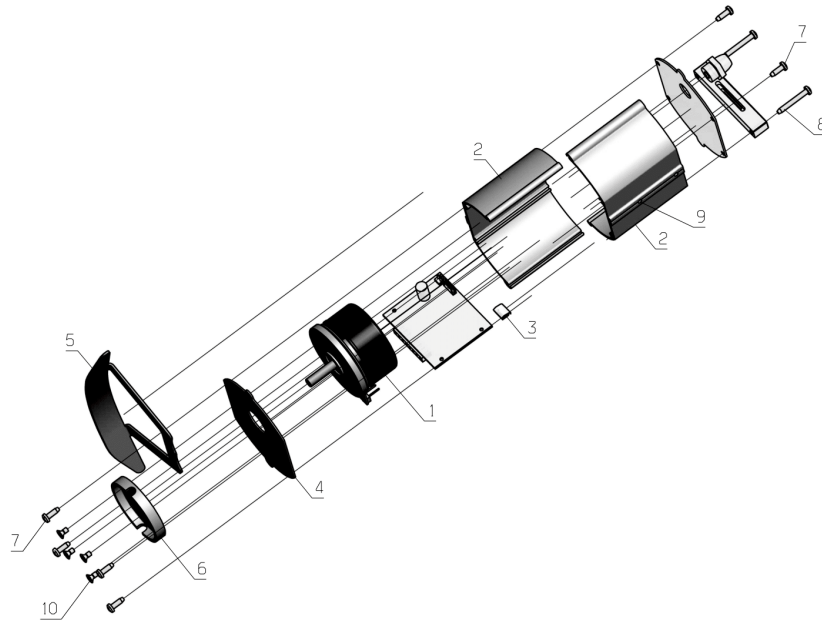


| Number | Part Number | Name | Quantity |
|--------|-------------|------------------|----------|
| 1 | 33333 | CUT. ENGINE | 1,000 |
| 2 | 33336 | 1/2 SHELL | 1,000 |
| 3 | 33337 | ENG.MASS SLAT | 1,000 |
| 4 | 33334 | ENGINE PLATE | 1,000 |
| 5 | 33338 | PROTEC.DEFLECTOR | 1,000 |
| 6 | 33335 | PROTECTION | 1,000 |
| 7 | 33602 | SCREW | 1,000 |
| 8 | 33601 | SCREW | 1,000 |
| 9 | 33598 | SCREW | 1,000 |
| 10 | 33596 | SCREW | 1,000 |

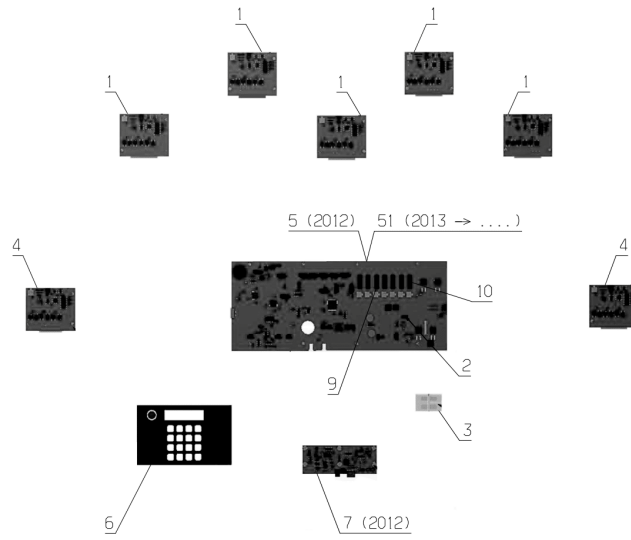
PL01773



01/2015

| Number | Part Number | Name | Quantity |
|--------|-------------|---------------------|----------|
| 1 | 33365 | ELEC.CARD CUT.ENGIN | 1,000 |
| 2 | 33366 | FUSE 1A | 1,000 |
| 3 | 33367 | 4 WAYS CONNECTOR | 1,000 |
| 4 | 33368 | ELEC.CARD WHEEL ENG | 1,000 |
| 5 | 33370 | MAIN ELEC. CARD | 1,000 |
| 6 | 33569 | KEYBOARD | 1,000 |
| 7 | 33373 | ELEC. CARD SONAR | 1,000 |
| 9 | 34862 | FUSE 5A | 1,000 |
| 10 | 34863 | FUSE 10A | 1,000 |
| 51 | 33493 | NEW SIGN.CARD KIT | 1,000 |

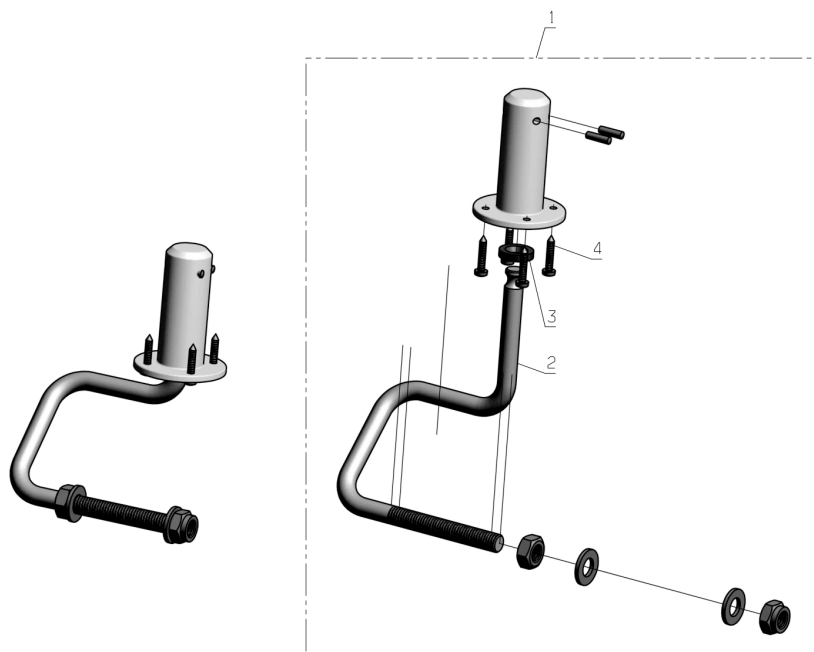
PL01795



01/2015

| Number | Part Number | Name | Quantity |
|--------|-------------|-------------------|----------|
| 1 | 33322 | FRONT WHEEL PIVOT | 1,000 |
| 2 | 33315 | WHEEL AXLE | 1,000 |
| 3 | 33317 | SEAL | 1,000 |
| 4 | 33603 | SCREW | 1,000 |

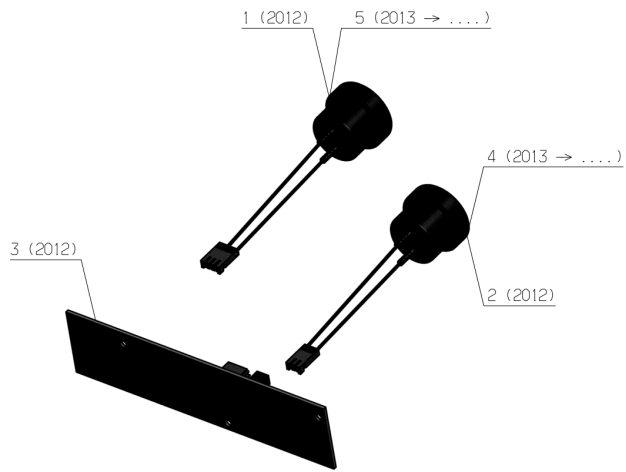
PL01779



01/2015

| Number | Part Number | Name | Quantity |
|--------|-------------|--------------------|----------|
| 1 | 33371 | EMITTING SONAR | 1,000 |
| 2 | 33372 | RECEIVER SONAR | 1,000 |
| 3 | 33373 | ELEC. CARD SONAR | 1,000 |
| 4 | 33501 | RECEIVER SONAR KIT | 1,000 |
| 5 | 33500 | EMITTING SONAR KIT | 1,000 |

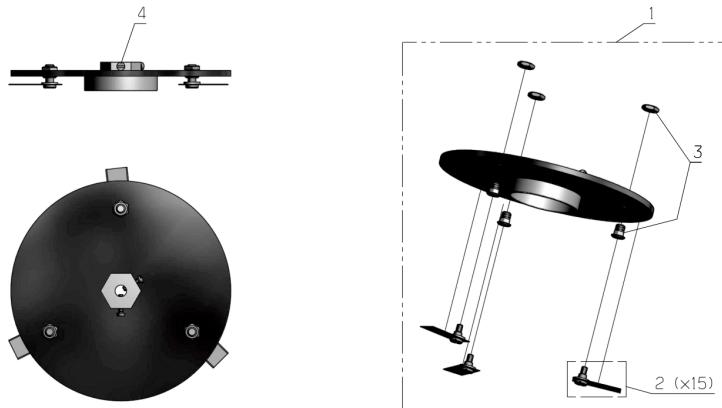
PL01796



01/2015

| Number | Part Number | Name | Quantity |
|--------|-------------|---------------|----------|
| 1 | 33347 | CUT.DISK | 1,000 |
| 2 | 33346 | 15 BLADES KIT | 1,000 |
| 3 | 33416 | INSERT | 1,000 |
| 4 | 33599 | SCREW | 1,000 |

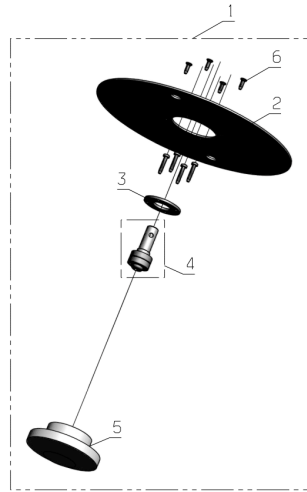
PL01770



01/2015

| Number | Part Number | Name | Quantity |
|--------|-------------|---------------------|----------|
| 1 | 33350 | ANTIFRICTION DISK | 1,000 |
| 2 | 33344 | ANTIFRICTOIN DISQUE | 1,000 |
| 3 | 33345 | WASHER | 1,000 |
| 4 | 33349 | CUT.HEAD AXLE | 1,000 |
| 5 | 33343 | CUT.HEAD STOP | 1,000 |
| 6 | 33600 | SCREW | 1,000 |

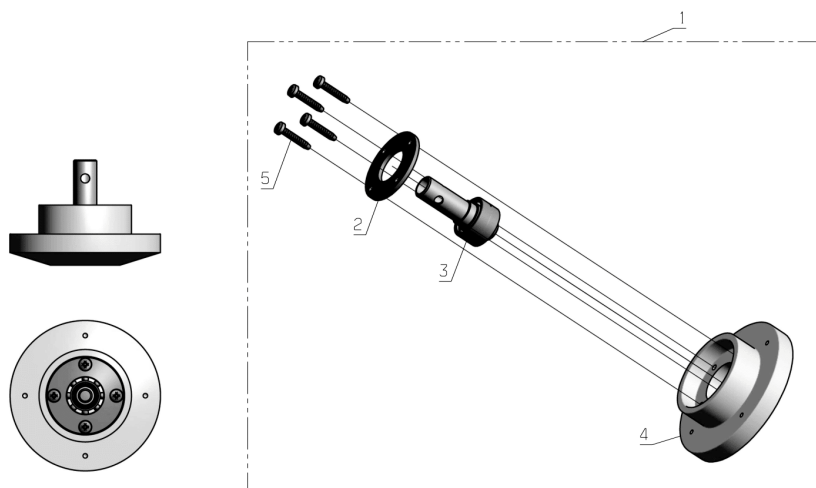
PL01771



01/2015

| Number | Part Number | Name | Quantity |
|--------|-------------|---------------|----------|
| 1 | 33348 | CUT.HEAD STOP | 1,000 |
| 2 | 33345 | WASHER | 1,000 |
| 3 | 33349 | CUT.HEAD AXLE | 1,000 |
| 4 | 33343 | CUT.HEAD STOP | 1,000 |
| 5 | 33604 | SCREW | 1,000 |

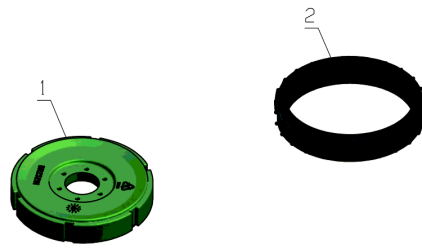
PL01772



01/2015

| Number | Part Number | Name | Quantity |
|--------|-------------|-----------------|----------|
| 1 | 33383 | REAR RIM | 1,000 |
| 2 | 33384 | REAR WHEEL TYRE | 1,000 |

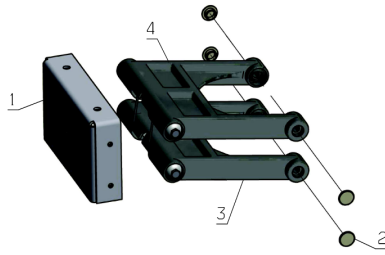
PL01834



10/2011

| Number | Part Number | Name | Quantity |
|--------|-------------|------------------|----------|
| 1 | 33339 | CUT.HEAD BRACKET | 1,000 |
| 2 | 33340 | PLUG | 1,000 |
| 3 | 33341 | ARM KIT | 1,000 |
| 4 | 33342 | ARM KIT + SPRING | 1,000 |

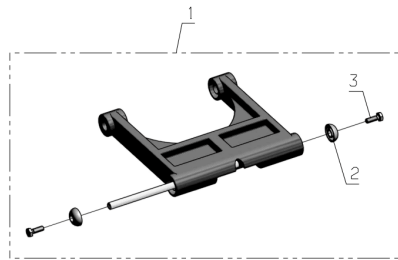
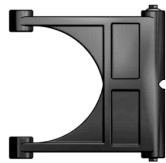
PL01775



09/2011

| Number | Part Number | Name | Quantity |
|--------|-------------|----------------|----------|
| 1 | 33341 | ARM KIT | 1,000 |
| 2 | 33595 | PROTECTION CUP | 1,000 |
| 3 | 33594 | SCREW | 1,000 |

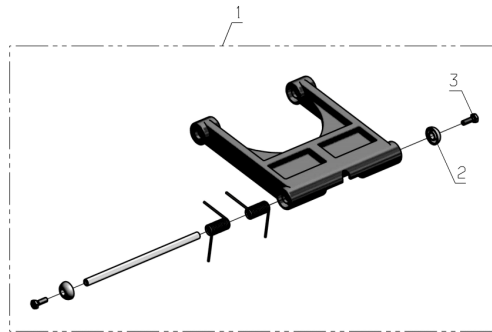
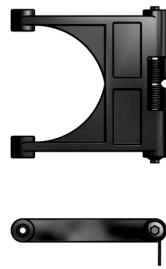
PL01776



01/2015

| Number | Part Number | Name | Quantity |
|--------|-------------|------------------|----------|
| 1 | 33342 | ARM KIT + SPRING | 1,000 |
| 2 | 33595 | PROTECTION CUP | 1,000 |
| 3 | 33594 | SCREW | 1,000 |

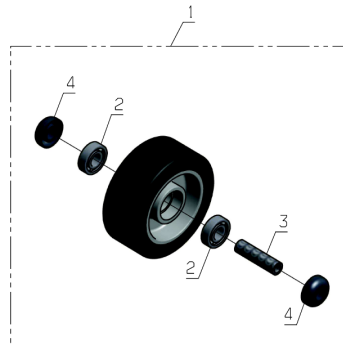
PL01777



01/2015

| Number | Part Number | Name | Quantity |
|--------|-------------|--------------------|----------|
| 1 | 33318 | FRONT WHEEL | 1,000 |
| 2 | 33319 | INOX BALL BEARING | 1,000 |
| 3 | 33321 | FRONT WHEEL AXLE | 1,000 |
| 4 | 33320 | PLASTIC PROTECTION | 1,000 |

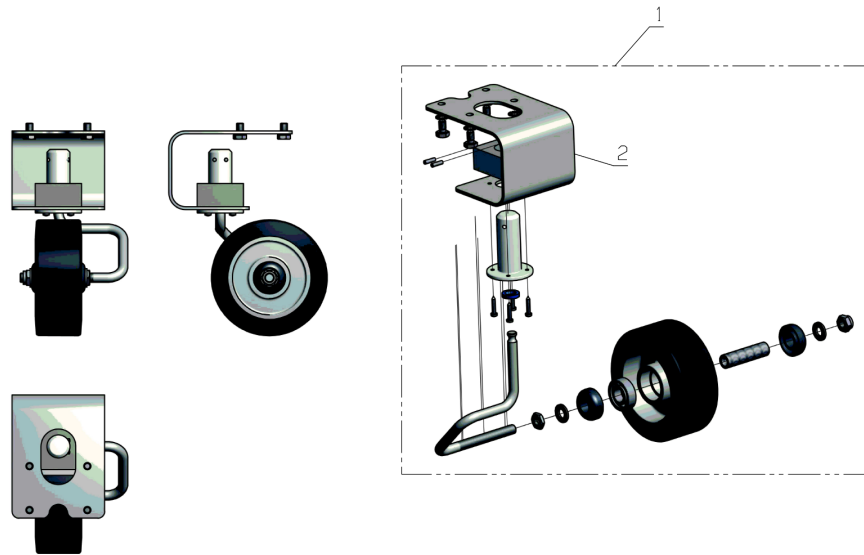
PL01780



09/2011

| Number | Part Number | Name | Quantity |
|--------|-------------|--------------------|----------|
| 1 | 33380 | FR.SUSPENS.+ WHEEL | 1,000 |
| 2 | 33379 | FRONT SUSPENSION | 1,000 |

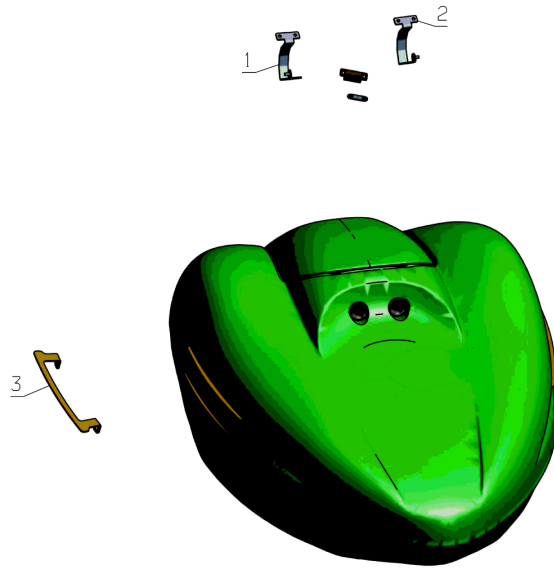
PL01831



10/2011

| Number | Part Number | Name | Quantity |
|--------|-------------|-------------------|----------|
| 1 | 33386 | RIGHT HINGE | 1,000 |
| 2 | 33387 | LEFT HINGE | 1,000 |
| 3 | 33385 | CHARG.CONTACT BAR | 1,000 |

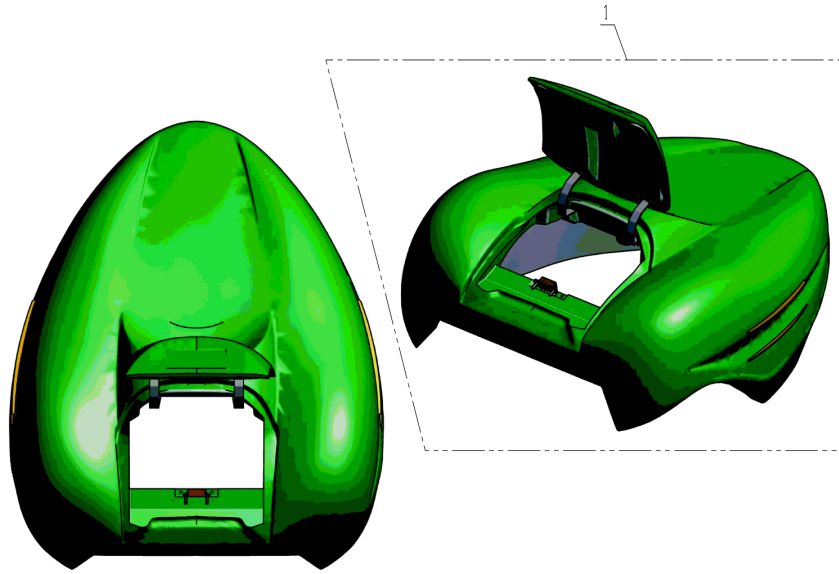
PL01835



10/2011

| Number | Part Number | Name | Quantity |
|--------|-------------|------------|----------|
| 1 | 33389 | ETM44 BODY | 1,000 |

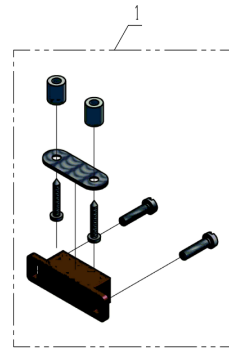
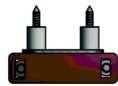
PL01836



10/2011

| Number | Part Number | Name | Quantity |
|--------|-------------|---------------|----------|
| 1 | 33388 | MAGNET + LOCK | 1,000 |

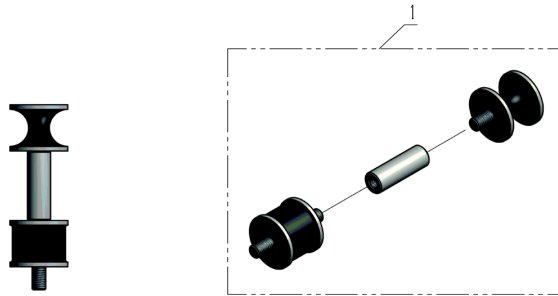
PL01838



10/2011

| Number | Part Number | Name | Quantity |
|--------|-------------|---------------------|----------|
| 1 | 33375 | FRONT SILENBLOC KIT | 1,000 |

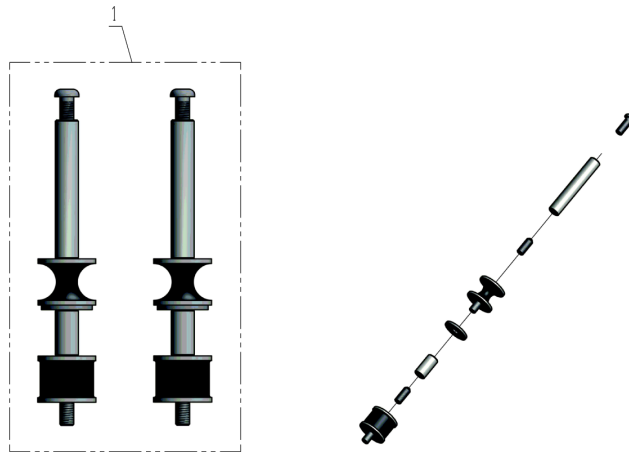
PL01825



10/2011

| Number | Part Number | Name | Quantity |
|--------|-------------|---------------------|----------|
| 1 | 33390 | REAR SILENTBLOC KIT | 1,000 |

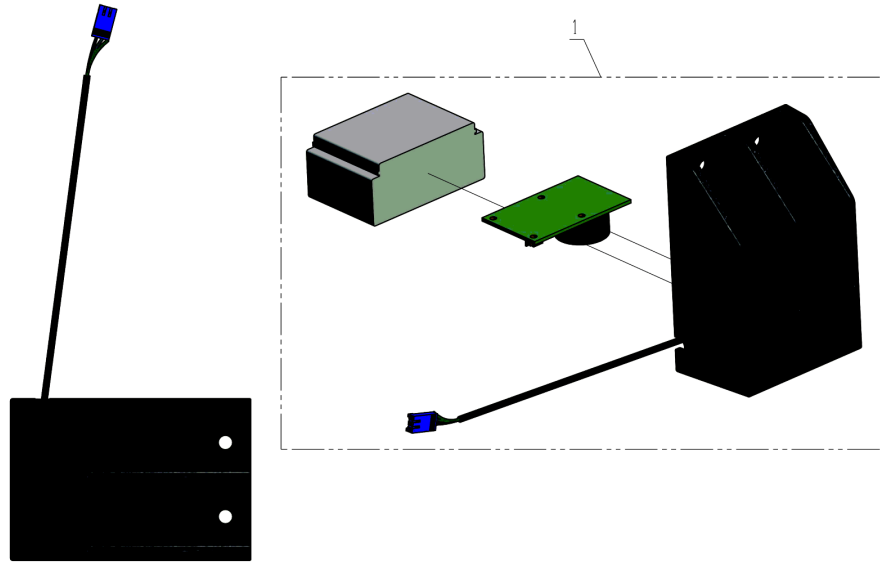
PL01837



10/2011

| Number | Part Number | Name | Quantity |
|--------|-------------|------|----------|
| 1 | 33378 | COIL | 1,000 |

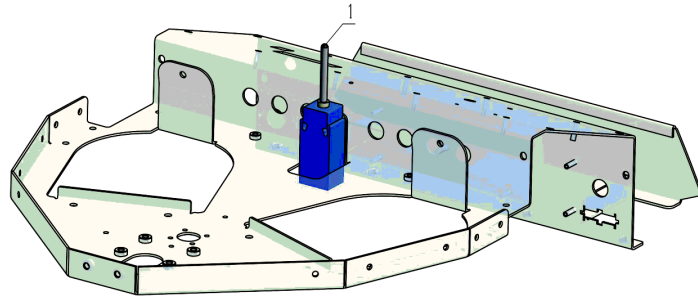
PL01830



10/2011

| Number | Part Number | Name | Quantity |
|--------|-------------|----------|----------|
| 1 | 33381 | -> 33530 | 1,000 |

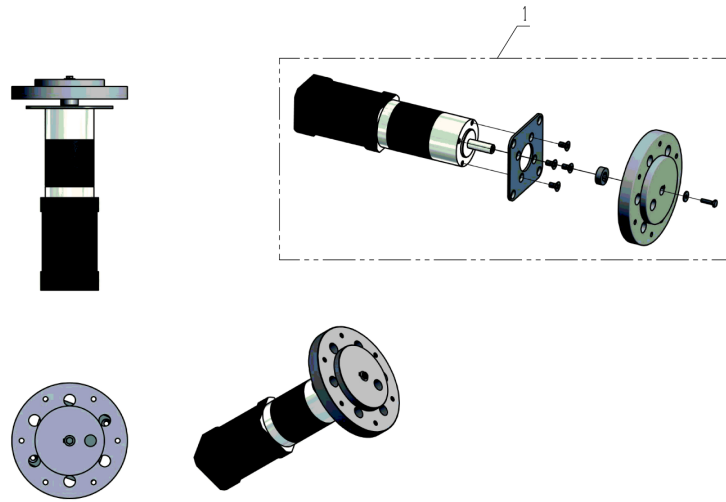
PL01832



10/2011

| Number | Part Number | Name | Quantity |
|--------|-------------|--------------|----------|
| 1 | 33382 | WHEEL ENGINE | 1,000 |

PL01833



10/2011