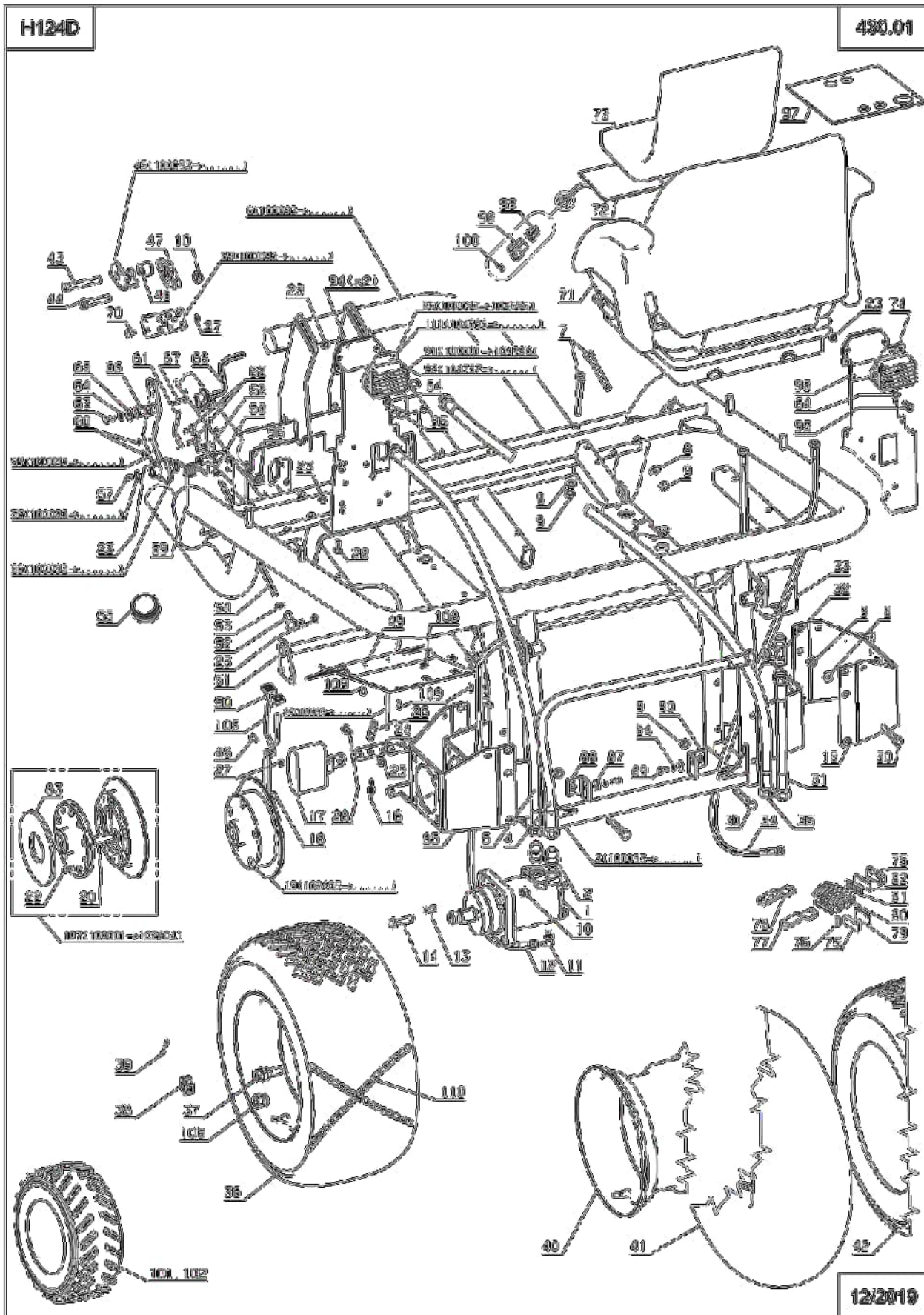


Number	Part Number	Name	Quantity
1	29302	SLOW WHEEL ENGINE	1,000
2	29451	ADAPTER AJM	1,000
3	52491	REAR FRAME 124	1,000
4	29311	T HOSE ENGINE/MOT	1,000
5	29306	FLOW DIV>MOTOR HOSE	1,000
6	29819	FRONT WELDED FRAME	1,000
7	71289	H.SCREW M10X100 8,8	1,000
8	21036	FLAT WASHER 10.5	1,000
9	9017	NUT HM10	1,000
10	71157	NUT AUTOFR.HM12	1,000
11	29453	ADAPTER CJM	1,000
12	29313	MOTOR DRAIN HOSE LH	1,000
13	29840	WHEEL ENGINE KEY	1,000
14	71290	H.SCREW M12X45 8,8	1,000
15	30222	R.WHEEL MOT.EXT.PLT	1,000
16	29144	BACK SPRING 1	1,000
17	29170	LH CALIPER	1,000
18	29536	BRAKE CALIPER STOP	1,000
19	30298	WHEEL HUB 04	1,000
20	71258	SCREW M16X45-1,5	1,000
22	5020	CHC M6X10 SCREW	1,000
23	71205	SCREW M8	1,000
24	37948	BRAKE EXTENSION	1,000
25	29687	BRAKE CABLE	1,000
26	29225	BRAKE SPRING	1,000
27	71201	NUT M6	1,000
28	71413	SCREW HM 8-20	1,000
30	71032	KAWA SCREW H M10X75	1,000
31	29310	T HOSE ENGINE/MOT	1,000
32	29470	ADAPTER HJM	1,000
33	29145	RH CALIPER	1,000
34	29312	MOTOR DRAIN HOSE RH	1,000
35	29305	HOSE FLOW DIV/ENGIN	1,000
36	35714	REAR WHEEL CPLT 23"	1,000
37	32152	WHEEL FITTING SCREW	1,000
38	29839	WHEEL ENGINE NUT	1,000
39	71345	SPLIT PIN 4-45	1,000
40	35715	REAR RIM GREY 23"	1,000
41	29627	REAR INNER TUBE	1,000
42	29481	REAR TYRE	1,000
43	71134	HEX.SCREW M12X80	1,000

Number	Part Number	Name	Quantity
44	71291	H.SCREW M12X60 8,8	1,000
45	29734	BRAKE FAST.HOOK	1,000
46	29735	BLOCKING SPACER	1,000
47	29063	BEARING FRONT POWER	1,000
48	71381	SCREW FHC/90 M6-20	1,000
49	30225	MUDGUARD H124D	1,000
50	30404	STRAP + NOTCH	1,000
51	29814	BRAKE DRIVE	1,000
52	28234	KNUCKLE M8	1,000
53	2020	NUT HM8	1,000
54	29715	BRAKE ROD	1,000
55	28056	TUBE CAP 60	1,000
56	71019	CIRCLIP 16X1	1,000
57	25301	RH STD "HYDRAULIC"	1,000
58	29813	BRAKE LINKAGE	1,000
59	29215	TORSION SPRING	1,000
60	37561	NUT	1,000
61	29214	SPERRFEDER	1,000
62	29176	BOLT	1,000
63	6169	SCREW HM8X16	1,000
64	71343	SPRING WASHER A8	1,000
65	7035	FLAT WASHER	1,000
66	28070	SLEEVE 15/17/20	1,000
67	20552	COTTER PIN V 5X32	1,000
68	29581	STEP ARM	1,000
69	29862	BRAKE PEDAL	1,000
70	21608	SCREW 6X16 DIN	1,000
71	29300	SEAT CPLT 211 PVC	1,000
72	29936	SEAT SWITCH H124D	1,000
73	29937	SEAT INSERT H124D	1,000
74	29023	DISTRIBUTOR BRACKET	1,000
75	29851	BRAKE PAD KIT	1,000
76	29858	PIN	1,000
77	29852	CAM	1,000
78	29853	CAM	1,000
79	29854	PAD SUPPORT	1,000
80	29857	-> 29145 OR 29170	1,000
81	29856	STOP SPRING	1,000
82	29855	PAD SUPPORT	1,000
83	29574	REAR WHEEL SPACER	1,000
85	30223	L.WHEEL MOT.EXT.PLT	1,000

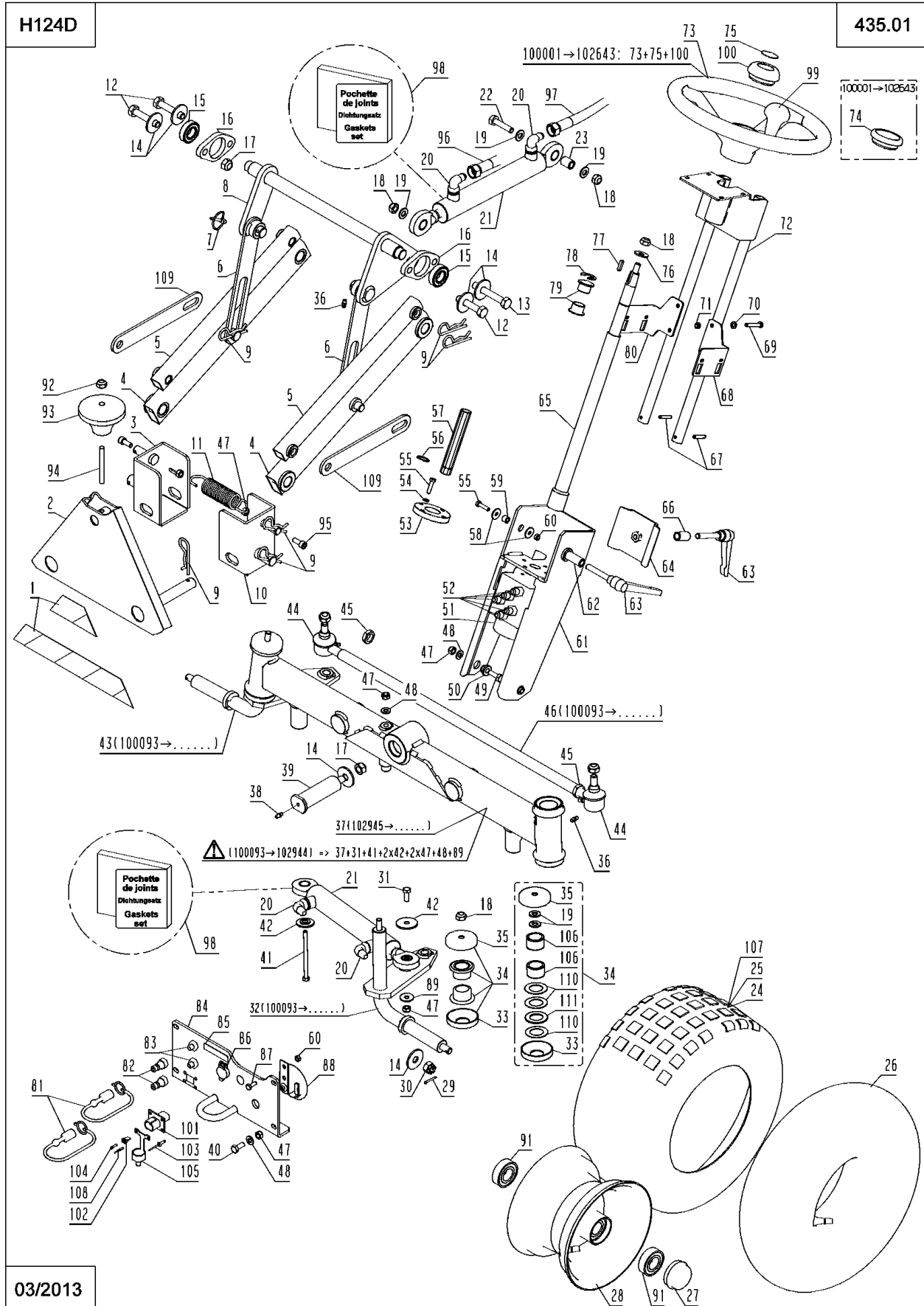
Number	Part Number	Name	Quantity
86	30147	DISTR1.2000 BRACKET	1,000
87	22029	FLAT WASHER 6,5	1,000
88	30411	REINFORCING PLATE L	1,000
89	37997	SCREW HM6-16 8.8	1,000
90	30410	REINFORCING PLATE R	1,000
91	29872	KIT REGULATOR	1,000
92	52041	REGULATOR	1,000
93	30262	REGULATOR BRACKET	1,000
94	30146	REGULATOR PLATE	1,000
95	35433	SCREW M8-30,8.8	1,000
96	29549	RUBBER GROMMET 14	1,000
97	29815	SEAT SWITCH BRACKET	1,000
98	30179	2 WAY FEM.CONNECTOR	1,000
99	30178	DEUTSCH MALE THIMBL	1,000
100	30180	FEMALE 2 WAY BLOCK	1,000
101	MA124	AGRARIAN WHEELS	1,000
102	30060	AGRARIAN TYRE H124D	1,000
105	30405	FLANGE STRAP	1,000
106	29147	WHEEL NUT	1,000
107	29148	WHEEL KIT	1,000
108	21436	CLIPS NUT	1,000
109	71111	TAPPING SCREW,DIN 7	1,000
110	MN124	SNOW PLOUGH KIT	1,000
111	51973	DISTRIB.BRACKET KIT	1,000



Number	Part Number	Name	Quantity
1	29593	ADHESIVE TAPE 450MM	1,000
2	30088	LIFTING PLATE	1,000
3	30624	HANG ON PLATE	1,000
4	30625	UPPER LIFT UP ARM	1,000
5	29630	UPPER LIFT UP ARM	1,000
6	39624	ROD ADJUSTER	1,000
7	71005	SAFETY PIN,DIN 1102	1,000
8	39623	ROD SHAFT	1,000
9	71228	BETA PIN 4	1,000
10	30090	HANG ON PLAT.LH2000	1,000
11	41217	COMPENSATION SPRING	1,000
12	71291	H.SCREW M12X60 8,8	1,000
13	71134	HEX.SCREW M12X80	1,000
14	1517	WASHER 13X40X3	1,000
15	29073	BEARING DIA.20	1,000
16	29063	BEARING FRONT POWER	1,000
17	71157	NUT AUTOFR.HM12	1,000
18	9017	NUT HM10	1,000
19	21036	FLAT WASHER 10.5	1,000
20	29464	ADAPTER CJM	1,000
21	29167	STEERING JACK	1,000
22	71198	HEX.SCREW HM10X45	1,000
23	29075	LIFT JACK SHAFT	1,000
24	29194	FRONT WHEEL CPLT	1,000
25	35895	TYRE TREL 16.5X6.50	1,000
26	29626	FRONT INNER TUBE	1,000
27	29509	PROTECTION CAP	1,000
28	29508	FRONT RIM 5.50X8	1,000
29	71294	SPLIT PIN 3,2 X 22	1,000
30	71295	NUT HK M12X1,25	1,000
31	71223	SCREW M8X50	1,000
32	29809	LH STUB AXLE	1,000
33	29158	LOWER CAP	1,000
34	36753	BEARING KIT	1,000
35	29159	UPPER CAP	1,000
36	25301	RH STD "HYDRAULIC"	1,000
37	29811	FRONT AXLE	1,000
38	30240	SCHMIERNIPPEL M6 90	1,000
39	29155	AXLE SHAFT	1,000
40	9056	BOLT 8X25	1,000
41	71171	SCREW	1,000

Number	Part Number	Name	Quantity
42	30263	WASHER	1,000
43	29810	RH STUB AXLE	1,000
44	29198	->100320X2+100330X1	1,000
45	71292	SMALL NUT M16X1	1,000
46	29691	STUB AXLE ROD	1,000
47	71205	SCREW M8	1,000
48	7335	WASHER	1,000
50	29514	CONSOLE LINK SHAFT	1,000
51	29179	HYDRAULIC STEERING	1,000
52	29455	ADAPTER AJM	1,000
53	29520	ORBITROL SPACER	1,000
54	71049	SPRING WASHER,DIN 1	1,000
55	20693	HEX.SCREW HM6X25	1,000
56	71265	CIRCLIP 19	1,000
57	29522	ORBIT.GROOVE SHAFT	1,000
58	22029	FLAT WASHER 6,5	1,000
59	29528	CONSOLE BUSH	1,000
60	71201	NUT M6	1,000
61	29606	CONOLE FRAME	1,000
62	29516	CONSOLE SPACER	1,000
63	29531	MALE DISENG.HANDLE	1,000
64	29609	CONSOLE GUIDE	1,000
65	29602	STEERING COLUMN	1,000
66	29515	CONSOLE SPACER	1,000
67	20552	COTTER PIN V 5X32	1,000
68	29739	LH CONS.COVER.BRACK	1,000
69	22456	SCREW HM 6X40	1,000
70	2235	WASHER A6.4	1,000
72	29603	STEE.COLUMN BRACKET	1,000
73	29900	STEERING WHEEL	1,000
74	28155	STEERING WHEEL CAP	1,000
75	25330	BADGE - ETESIA	1,000
76	71238	WASHER A10,2	1,000
77	20606	KEY 5X5X20	1,000
78	1513	CIRCLIP 15	1,000
79	29427	SLEEVE 20/23/21	1,000
80	29740	RH CONS.COVER BRACK	1,000
81	27126	COUPLER HOOD	1,000
82	27116	MALE COUPLER 1/8	1,000
83	27115	UNION PIECE	1,000
84	29820	COUPL.BRACKET PLATE	1,000

Number	Part Number	Name	Quantity
85	13127	12V 15A MAX LABEL	1,000
86	25822	FEMALE 2 WIR.CONNEC	1,000
87	37997	SCREW HM6-16 8.8	1,000
88	28209	ALARM	1,000
89	7035	FLAT WASHER	1,000
91	25475	SEALED BALL BEARING	1,000
92	2020	NUT HM8	1,000
93	24615	BUTTON (BIG)	1,000
94	30788	STUD M8/M10	1,000
95	22011	BOLT M 8X20	1,000
96	29325	HOSE DIST.B1/LIFT	1,000
97	29326	HOSE DIST.A1/LIFT	1,000
98	30455	ST.J.BAG OF GASKETS	1,000
99	29923	STEERING WHEEL GAIT	1,000
100	29978	STEERING WHEEL CAP	1,000
101	30652	4 WAYS FEM.CONNECT.	1,000
102	30198	KEY4WAYS FEM.CONNEC	1,000
103	71113	NAIL RIVET, DIA. 4X	1,000
104	30189	PLUG	1,000
105	30653	CAP	1,000
106	35109	NAILBEARING HMK2520	1,000
107	30299	FULL FRONT WHEEL CP	1,000
108	30178	DEUTSCH MALE THIMBL	1,000
109	30598	BLOCKING PLATE	1,000
110	35108	WASHER AS1105	1,000
111	35110	BEARING STOP	1,000

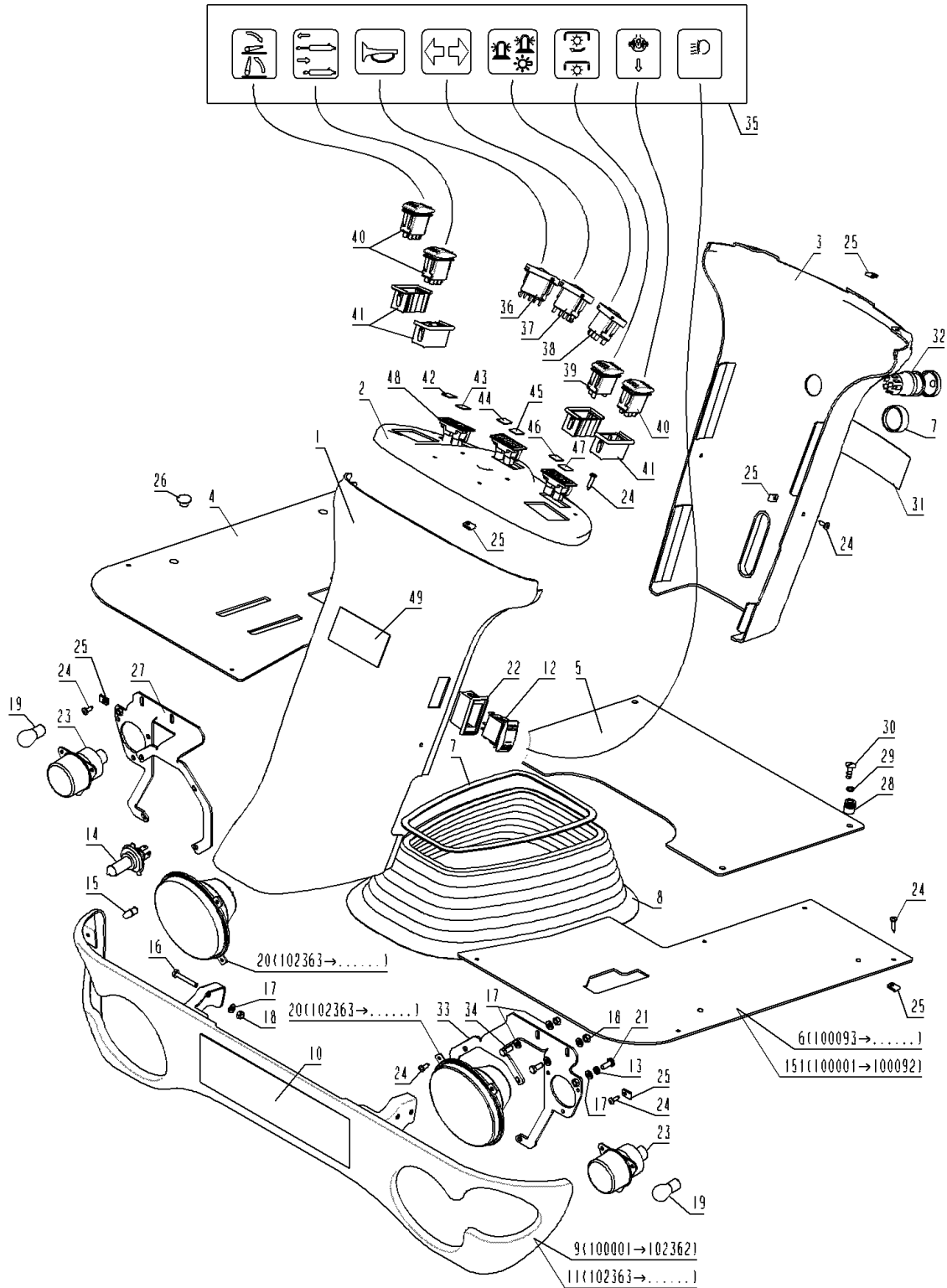


Number	Part Number	Name	Quantity
1	29055	FRONT CONSOLE COVER	1,000
2	52586	DASHBOARD	1,000
3	29056	REAR CONSOLE COVER	1,000
4	29086	RH STEP	1,000
5	29050	BATTERY COVER	1,000
6	29849	FOOT STAND LEFT	1,000
7	38126	SPACER	1,000
8	29081	CONSOLE BELLOW	1,000
9	29677	STEERING COVER	1,000
10	13085	STICKER ETESIA	1,000
11	30700	STEERING COVER	1,000
12	52497	SWITCH ON/OFF LIGHT	1,000
13	71049	SPRING WASHER,DIN 1	1,000
14	30638	BULB H4	1,000
15	30015	STAND LIGHT AMP.	1,000
16	22456	SCREW HM 6X40	1,000
17	2235	WASHER A6.4	1,000
18	71201	NUT M6	1,000
19	30695	BLINKER BULB	1,000
20	30599	FRONT LIGHT	1,000
21	37997	SCREW HM6-16 8.8	1,000
22	29274	MOUNTING FRAME	1,000
23	32215	BLINKER	1,000
24	71111	TAPPING SCREW,DIN 7	1,000
25	21436	CLIPS NUT	1,000
26	30091	CAP DIAM. 12	1,000
27	30595	FR.R.LIGHTS BRACKE	1,000
28	29568	1/4 ROTAT.RECEIVER	1,000
29	29569	1/4 ROTAT. WASHER	1,000
30	29567	1/4 ROTA.THREAD.PIN	1,000
31	13021	STICKER	1,000
32	29624	BLINKER UNIT	1,000
33	30596	FR.L.LIGHTS BRACKE	1,000
35	13128	DIAGRAM LABEL	1,000
36	29299	SWICH ON/OFF/ON C11	1,000
37	29260	SWITCH ON/OFF/ON V	1,000
38	29262	SWITCH ON/OFF/ON R	1,000
40	52495	SWITCH ON/OFF/ON	1,000
41	29273	EXT. FRAME	1,000
42	29278	WATER TEMP.INDICAT.	1,000
43	25788	INSERT BATTERY	1,000

Number	Part Number	Name	Quantity
44	25782	INSERT OIL	1,000
45	29277	PRE-FIRE INDICATOR	1,000
46	29281	DIESEL LEVEL INDIC.	1,000
47	29276	OIL TEMPER.INDICAT.	1,000
48	25775	DOUBLE RELAY LAN	1,000
49	12047	STICKER ETESIA	1,000
151	29087	LH STEP	1,000

H124D

440.01



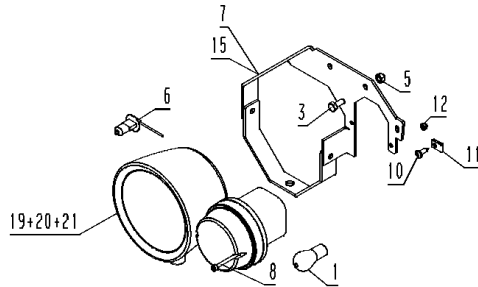
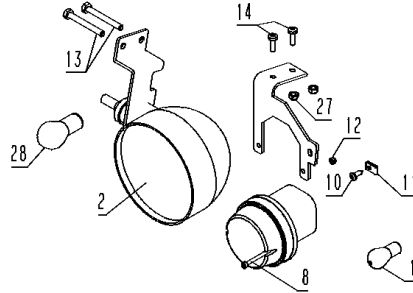
02/2011

Number	Part Number	Name	Quantity
1	25815	LIGHT BULB 21 W	1,000
2	29870	LAMP CAP V.98	1,000
3	37997	SCREW HM6-16 8.8	1,000
4	2235	WASHER A6.4	1,000
5	71201	NUT M6	1,000
6	29860	LAMP 55W	1,000
7	29676	LIGHT BRACKET F.LH	1,000
8	71329	SCREW M4X40 8.8	1,000
10	71111	TAPPING SCREW,DIN 7	1,000
11	21436	CLIPS NUT	1,000
12	21525	NUT HM4	1,000
13	71023	SCREW HM 6X50	1,000
14	37996	SCREW HM5-16 8.8	1,000
15	29673	LIGHT BRACKET F.RH	1,000
19	30152	FR.LIGHT BRACK.00.R	1,000
20	30153	FR.LIGHT BRACK.00 L	1,000
21	30156	FRONT LIGHT 2000	1,000
22	30276	LIGHT BRACK.FRONT.R	1,000
23	30277	LIGHT BRACK.FRONT.L	1,000
24	30275	FRONT LIGHT 2001	1,000
25	71200	SCREW M5	1,000
26	20564	WASHER 5,5	1,000
27	37561	NUT	1,000
28	29864	BULB 50W V.98	1,000
30	30015	STAND LIGHT AMP.	1,000
31	30016	TRAFFIC LIGHT AMP.	1,000

H124D

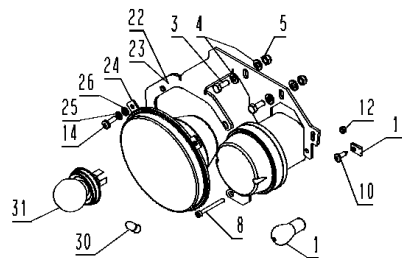
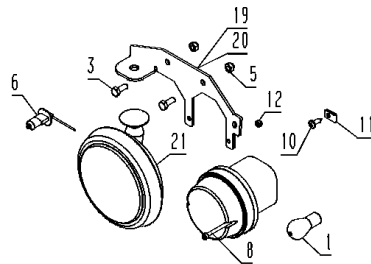
100001 → 100092

441.01



100093 → 100709

100710 → 101100



101101 → 102362

02/2014

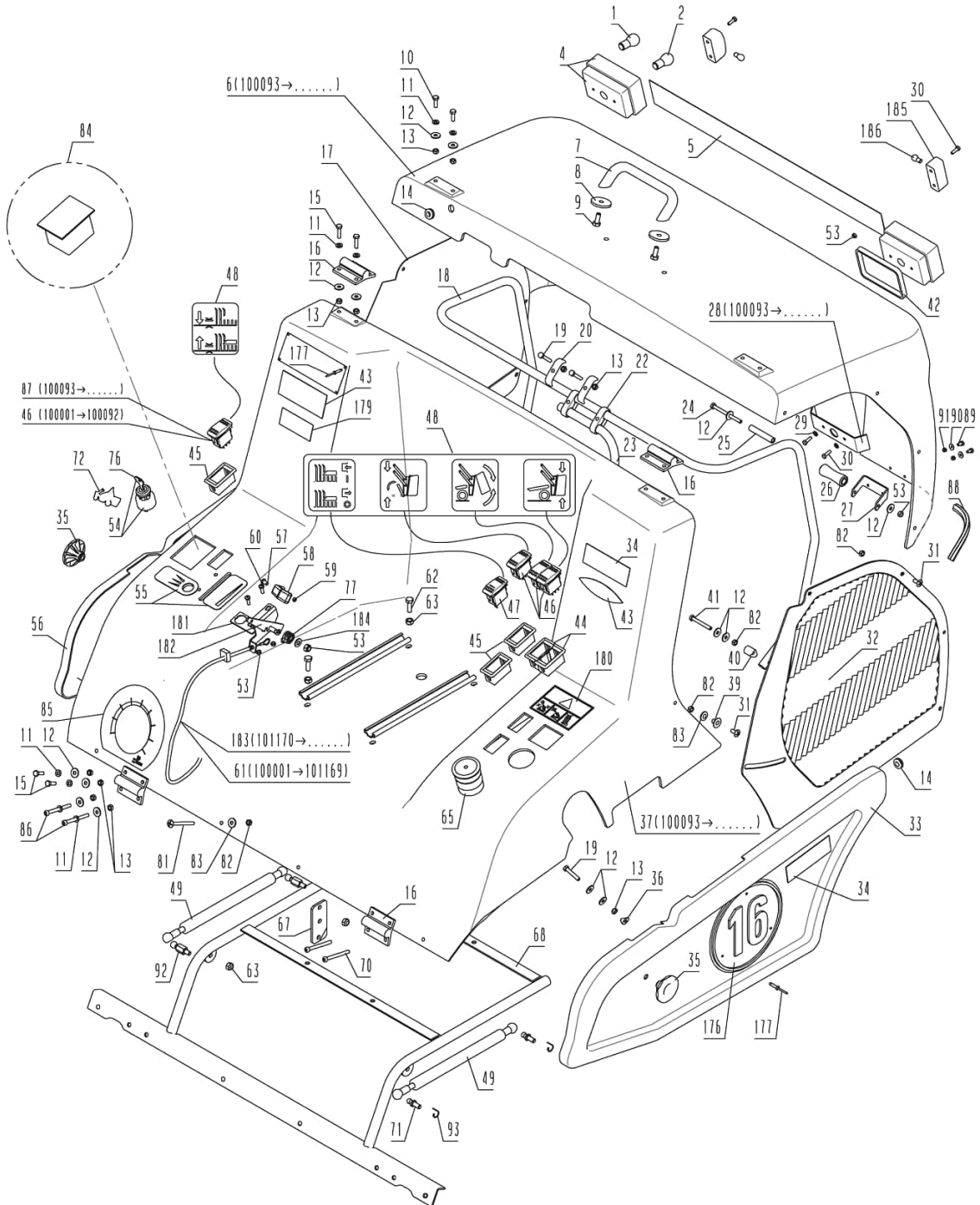
Number	Part Number	Name	Quantity
1	25815	LIGHT BULB 21 W	1,000
2	29861	BULB 21W 5W	1,000
4	29314	BACK LIGHT	1,000
5	13134	ENGINE COVER LABEL	1,000
6	29766	-> 100223	1,000
7	29791	COVER GRIP	1,000
8	20021	WASHER 8,5X40X4	1,000
9	71413	SCREW HM 8-20	1,000
10	20507	BOLT HM 6X20	1,000
11	2235	WASHER A6.4	1,000
12	21270	WASHER 6,4	1,000
13	71201	NUT M6	1,000
14	29549	RUBBER GROMMET 14	1,000
15	20693	HEX.SCREW HM6X25	1,000
16	30418	COVER HINGE	1,000
17	30247	RH ENGINE GRID	1,000
18	29795	ENGINE COVER TUBE	1,000
19	71259	SCREW HM6X35	1,000
20	29847	REINF.DOUBLE COLLAR	1,000
22	29797	BOW FIXING COLLAR	1,000
23	29796	ENG.COVER REINF.TUB	1,000
24	71353	HEX.SCREW M5X80	1,000
25	29743	TUBE ROLLER	1,000
26	29742	COVER ROLLER	1,000
27	29744	ROLLER BRACKET	1,000
28	32026	BRACKET	1,000
29	71200	SCREW M5	1,000
30	2009	BOLT M5X16	1,000
31	71338	SCREW M6X15 6.8	1,000
32	30248	LH ENGINE GRID	1,000
33	35804	LEFT SIDE COVER	1,000
34	13086	STICKER ETESIA	1,000
35	24610	BUTTON (SMALL)	1,000
36	29826	RING 1 MM	1,000
37	29765	CENTRAL COVER	1,000
39	29798	SPACER SCREEN GUIDE	1,000
40	29794	COLLAR 16 MM	1,000
41	71023	SCREW HM 6X50	1,000
42	29440	BACK LIGHT RAISER	1,000
43	13133	H124D GUIGIARO LABE	1,000
44	29273	EXT. FRAME	1,000

Number	Part Number	Name	Quantity
45	29274	MOUNTING FRAME	1,000
46	52495	SWITCH ON/OFF/ON	1,000
47	52497	SWITCH ON/OFF LIGHT	1,000
48	13128	DIAGRAM LABEL	1,000
49	29423	GAS RAM	1,000
53	37561	NUT	1,000
54	29254	KEY SWITCH + 2 KEYS	1,000
55	13199	STICKER	1,000
56	35803	RIGHT SIDE COVER	1,000
57	71224	GAS GRIP SCREW 8-32	1,000
58	28177	GAS GRIP	1,000
59	71225	GAS GRIP NUT 8-32"	1,000
60	37996	SCREW HM5-16 8.8	1,000
61	30217	-> 30288	1,000
62	9056	BOLT 8X25	1,000
63	71205	SCREW M8	1,000
65	52779	HOUR METER	1,000
67	51118	FIXING PLATE	1,000
68	29605	CENTRAL COVER BOW	1,000
70	71267	SCREW M6X65 8,8	1,000
71	51456	KNOB MALE M8	1,000
72	29973	KEY HANGER H124D	1,000
76	29534	SET OF 2 KEYS	1,000
77	30218	THROTTLE CABLE PAD	1,000
81	71422	RL M6X20 SCREW	1,000
83	71096	WASHER B6,4	1,000
84	30242	PLUG 80X60	1,000
85	13202	CUT.HEIGHT LABEL	1,000
86	71419	CHC M6X70 SCREW	1,000
87	52496	SWITCH ON/OFF/ON	1,000
88	28254	PROTECT.COATING 690	1,000
89	71204	SCREW DUO TAPT 5X10	1,000
90	7094	FLAT WASHER	1,000
91	21525	NUT HM4	1,000
92	30014	GAS CYLINDER SPACER	1,000
93	51457	PIN	1,000
150	29018	ENGINE COVER	1,000
176	30046	PLAQUE 16KM/H - ALL	1,000
177	71327	NAIL RIVET 4X21	1,000
179	38728	STICKER FRANCE/EURO	1,000
180	13176	OVERTURNING LABEL	1,000

Number	Part Number	Name	Quantity
181	30289	THROTTL.CABLE BRACK	1,000
182	30287	THROTTLE CABLE LEV.	1,000
183	30288	THROTTLE CABLE	1,000
184	7035	FLAT WASHER	1,000
185	30021	-> 55458	1,000
186	25094	LAMP 10W	1,000

H124D

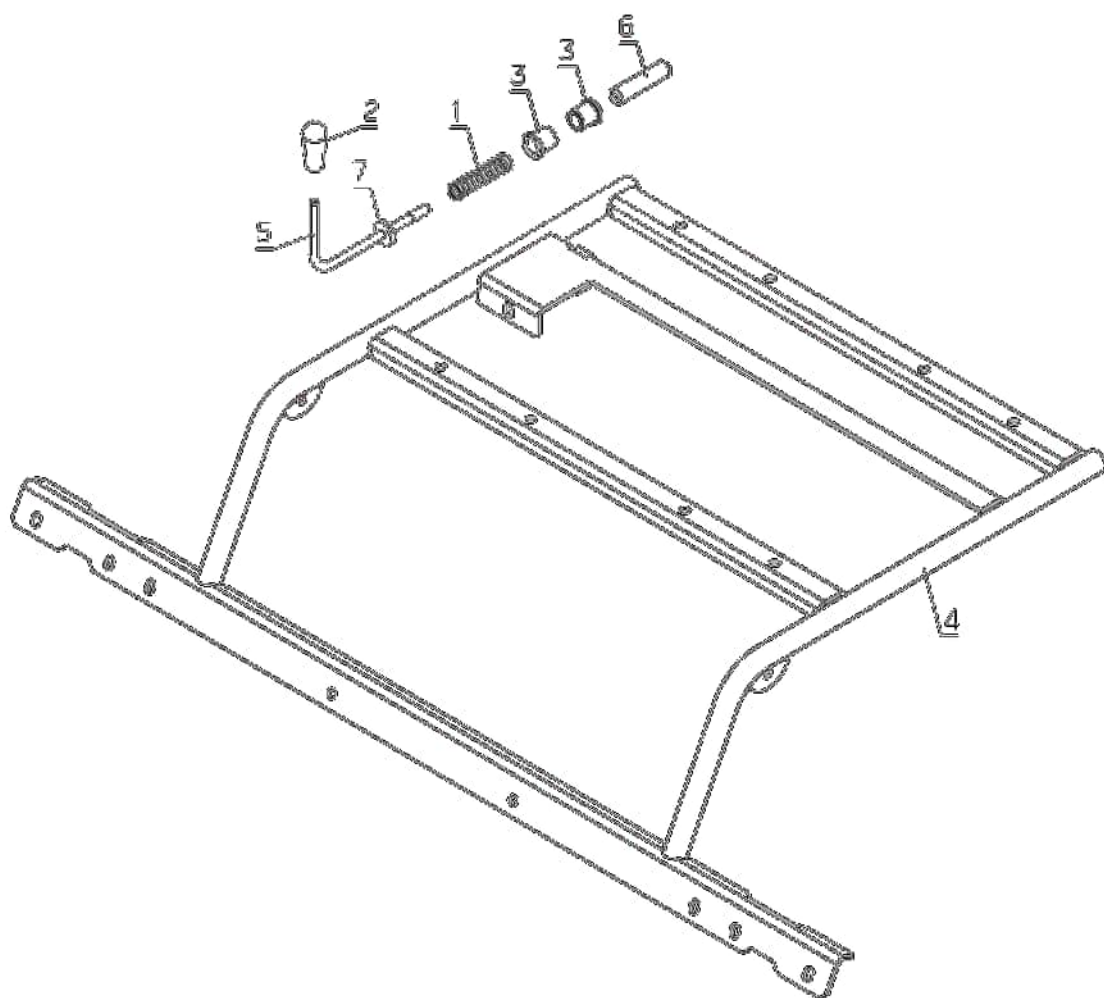
445.01



12/2019

Number	Part Number	Name	Quantity
1	24609	SPRING	1,000
2	27131	DISTRIB. LEVER HAND	1,000
3	37059	BUSH JFM 141822-20	1,000
4	-	-	1,000
7	71126	FLAT WASHER,DIN 734	1,000

PL02686



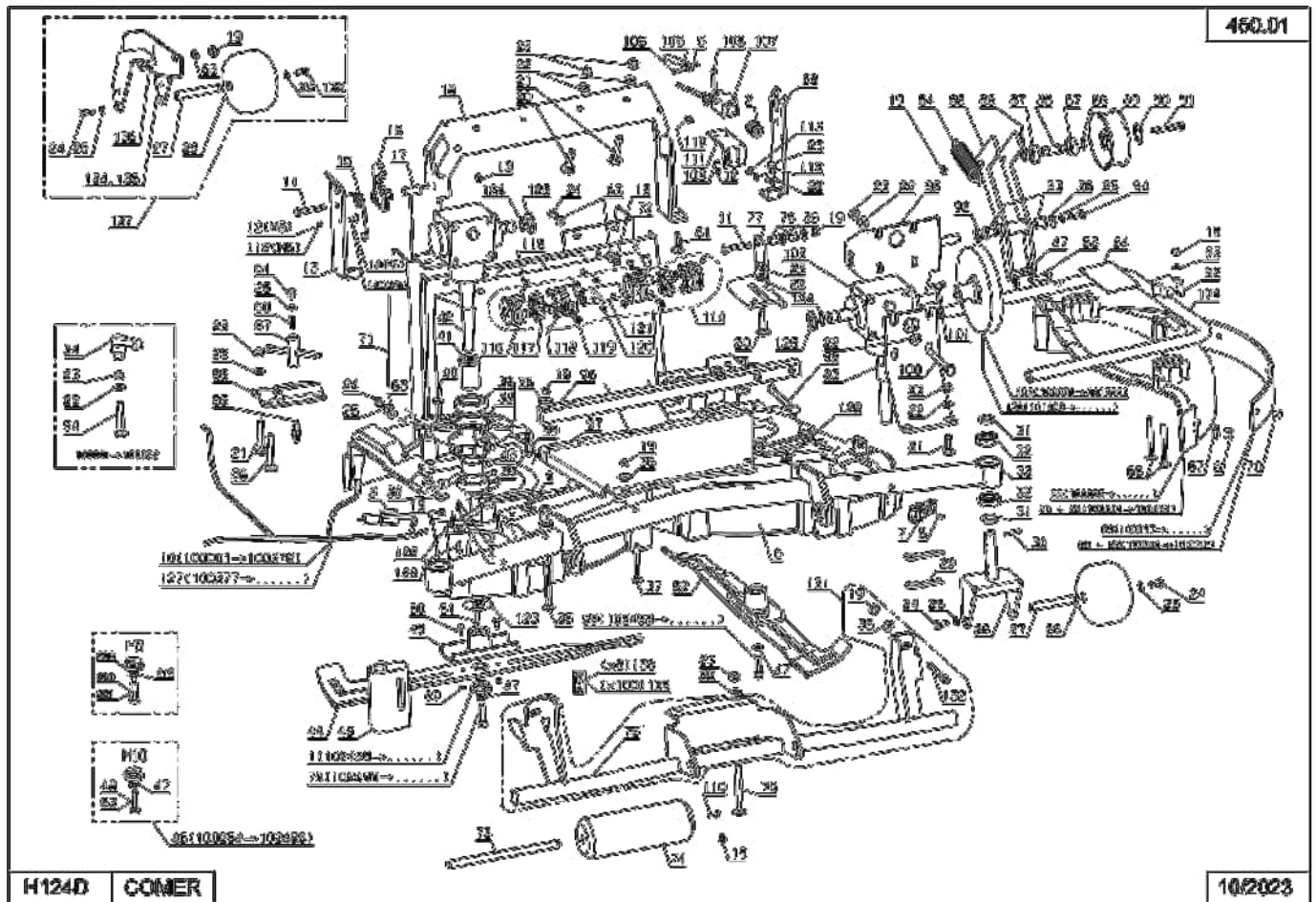
06/2022

Number	Part Number	Name	Quantity
1	30898	BLADE FIX.WASHER	1,000
2	29789	CONTACTOR GROMMET	1,000
3	30154	PUSH SWITCH KIT	1,000
4	71024	WASHER PL A 4,3	1,000
5	21525	NUT HM4	1,000
6	29001	FRAME	1,000
7	29721	CLAMP	1,000
8	71352	SCREW M4X10	1,000
9	29578	WIRING FASTENER	1,000
10	29093	CUTTING UNIT WIRING	1,000
11	21687	HEXAGON SCREW,DIN 9	1,000
12	37561	NUT	1,000
13	29213	R.H EXT.CUT.HEIGHT	1,000
14	24154	THREADED SHAFT	1,000
15	29544	TORSION SPRING	1,000
16	29611	CUTTING H.HOOK	1,000
17	29028	HOOK SHAFT	1,000
18	29223	REAR CUT.HEIGHT FAS	1,000
19	71205	SCREW M8	1,000
20	71263	SCREW M10X50	1,000
21	71262	SCREW M10X65	1,000
22	21036	FLAT WASHER 10.5	1,000
23	9017	NUT HM10	1,000
24	71413	SCREW HM 8-20	1,000
25	71343	SPRING WASHER A8	1,000
26	29802	ANTI-SCALP ROL.FORK	1,000
27	29219	ANTI-SCALP ROL.SHAF	1,000
28	29004	ANTI SCALP ROLLER	1,000
29	71228	BETA PIN 4	1,000
30	20552	COTTER PIN V 5X32	1,000
31	25348	WASHER	1,000
32	29073	BEARING DIA.20	1,000
33	30699	ANTISCALP ROL.BRAC.	1,000
34	29542	CUT.DECK DISENG.HAN	1,000
35	71297	SCREW M8X90 8,8	1,000
36	7035	FLAT WASHER	1,000
37	71332	SCREW M8X75 8.8	1,000
38	28171	BLADE BEARING	1,000
39	24832	BEARING 6007-2RS1	1,000
40	20520	BOLT 8X45	1,000
41	29504	SPACER	1,000

Number	Part Number	Name	Quantity
42	29651	CORNER GEAR L	1,000
43	29503	SPACER 35X42X25	1,000
44	MZ124R	RIGHT BLADE	1,000
45	29590	ANGLEGEAR OILCAN 1L	1,000
46	29650	BLADE FIXING KIT	1,000
47	71052	SPRING WASHER,DIN 1	1,000
48	71242	HEX.SCREW HM10X35	1,000
49	29753	BLADE COUP. D.20 MM	1,000
50	71231	SCREW JM5-16	1,000
51	71344	KEY 6X6X25 C FORM	1,000
52	MZ124L	LEFT BLADE	1,000
53	71031	LH HEXAG.SCREW,DIN	1,000
54	71445	SCREW J M10-75	1,000
55	29790	DECK PIN	1,000
56	29543	SQUEEZE PLATE	1,000
57	30164	FIXING LEVER	1,000
59	71414	SCREW M10X30,10	1,000
60	29747	CUT.DECK GRIP SPRIN	1,000
61	71316	SCREW HM8X10	1,000
62	29012	LINKING BRACKET	1,000
63	7335	WASHER	1,000
64	13089	ETIQ. TRAPPE FR.	1,000
66	29002	CUTTING SIDE PART	1,000
67	29722	CLAMP HOOK	1,000
68	29537	FASTENER EXT.RH CUT	1,000
69	29587	CUT.DECK SIDE PROT.	1,000
70	71361	SCREW RL X M6X16	1,000
71	29418	CUT.DEC.OUTPUT PLAT	1,000
72	29419	CUT.DEC.OUTPUT PLAT	1,000
73	53095	AXLE	1,000
74	25015	FRONT ROLLER	1,000
75	30401	ROLLER BRACKET	1,000
76	71264	SCREW M10X100	1,000
77	29119	TENS.SPRING BRACKET	1,000
78	29123	TENSIONNER SPACER	1,000
79	71415	SCREW M10-30 L.	1,000
81	71251	SCREW M10X35	1,000
83	29151	COUNTERSHAFT BRACKE	1,000
84	29045	TENSION SPRING	1,000
85	29533	TENSIONNER ARM	1,000
86	71047	CIRCLIP DIN 471 15X	1,000

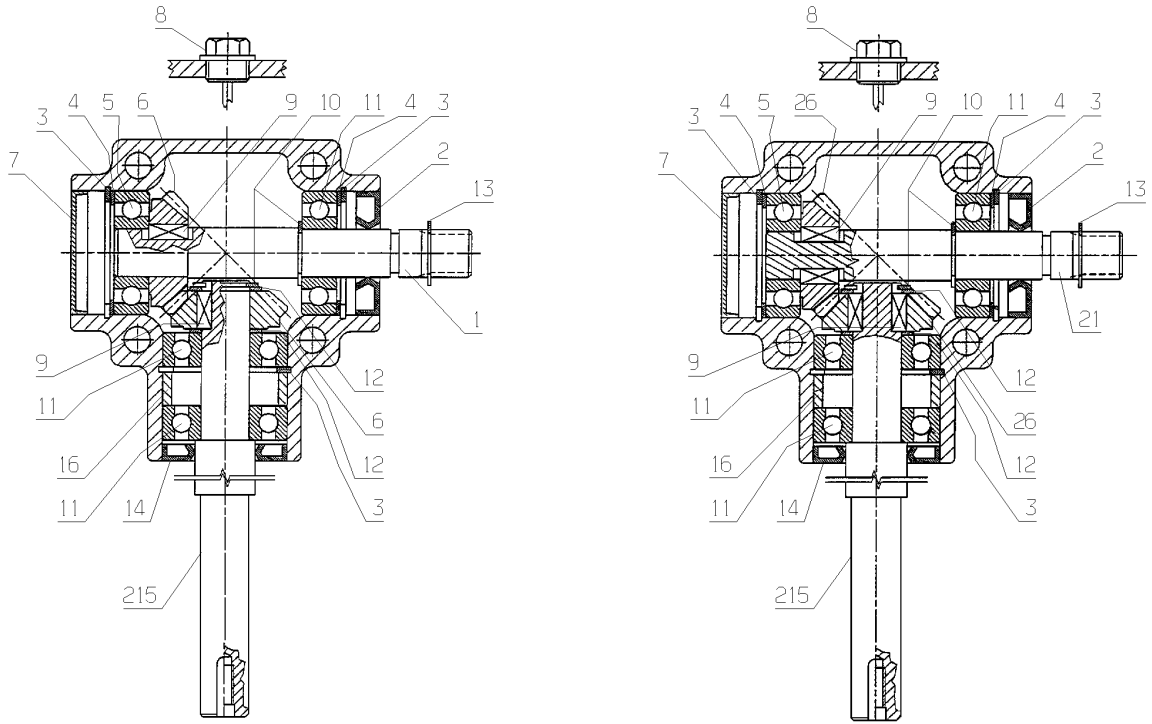
Number	Part Number	Name	Quantity
87	25112	BALL BEARING,6202 S	1,000
88	29116	TENSION PULLEY SHAF	1,000
89	29115	TENSIONNER PULLEY	1,000
90	71039	CIRCLIP,DIN 427 35X	1,000
91	20513	SCREW,DIN 933 H M 8	1,000
92	29745	ADJUSTMENT BUSH	1,000
93	28070	SLEEVE 15/17/20	1,000
94	9056	BOLT 8X25	1,000
95	29540	BRACKET MOBILE TENS	1,000
96	29768	CORN.GEAR FIX.BAR	1,000
97	29767	CUTTING DECK PLATE	1,000
98	71450	SCREW H M10-150	1,000
99	21114	BOLT 8X40	1,000
100	71289	H.SCREW M10X100 8,8	1,000
101	71006	A-SHAPE KEY,DIN 688	1,000
102	29649	PULLEY D.135/D.175	1,000
103	29652	CORNER GEAR T	1,000
104	29010	LINKING TUBE	1,000
105	71209	SCREW HM4X16	1,000
106	29560	FILLING INDICAT.CUP	1,000
107	28210	BUZZER SWITCH	1,000
108	5399	BOLT M5X40	1,000
109	20564	WASHER 5,5	1,000
110	37997	SCREW HM6-16 8.8	1,000
111	29267	FILLING INDIC.BRACK	1,000
112	71201	NUT M6	1,000
113	2235	WASHER A6.4	1,000
114	29972	ELASTIC COUPLING CP	1,000
115	71420	IN.HEX SCREW M8X16	1,000
116	29988	SPLINE BORE HUB	1,000
117	29990	RING 64 SHORES	1,000
118	29989	HUB	1,000
119	71044	CAP SCREW,DIN 912-8	1,000
120	29992	PRESS. SCREW8X12	1,000
121	29991	TUBE ZR 30X4	1,000
123	30206	PROTECTION WASHER	1,000
124	71265	CIRCLIP 19	1,000
125	7330	WASHER	1,000
126	30082	SWITCH SUPPORT	1,000
127	30081	DECK WIRING	1,000
128	29576	COVER WIRING FAST.	1,000

Number	Part Number	Name	Quantity
129	71378	HEX.SCREW M4X16	1,000
130	30408	PULLEY D.155/D.195	1,000
131	30396	SUB FRAME KIT	1,000
132	71068	HEXAGON SCREW,DIN 9	1,000
134	30393	RH ROLLER BRACKET	1,000
135	30394	LH ROLLER BRACKET	1,000
136	71373	SCREW M8X20	1,000
137	30395	ANTI-SCALP KIT	1,000
138	26157	SET OF 8 SHEARBOLTS	1,000
139	26357	100 SHEAR BOLTS	1,000
140	28137	CATCH BOLT SP.SCREW	1,000
205	29126	BLADE WASHER	1,000
220	7038	SCREW,DIN933 H M 8X	1,000
221	71313	H.SCREW M8X35 LH	1,000



Number	Part Number	Name	Quantity
1	29700	INPUT SHAFT C.GEAR	1,000
2	29701	GASKET 20X52	1,000
3	71037	CIRCLIP, DIN 472 52	1,000
4	29712	SHIM SET 51.5	1,000
5	29707	BEARING 6304	1,000
6	29703	GEAR Z18 M12.8	1,000
7	29879	CLOSING CAP	1,000
8	29704	PLUG 3/8" GAS	1,000
9	29705	KEY 6X6X15	1,000
10	21703	CIRCLIP,DIN 471 20X	1,000
12	29711	SHIM SET 32.00	1,000
13	71265	CIRCLIP 19	1,000
14	29708	SEAL 25X52	1,000
16	30417	SPACER	1,000
21	30416	L INPUT SHAFT	1,000
26	30412	GEAR	1,000
215	30414	L OUTPUT SHAFT	1,000

511.01

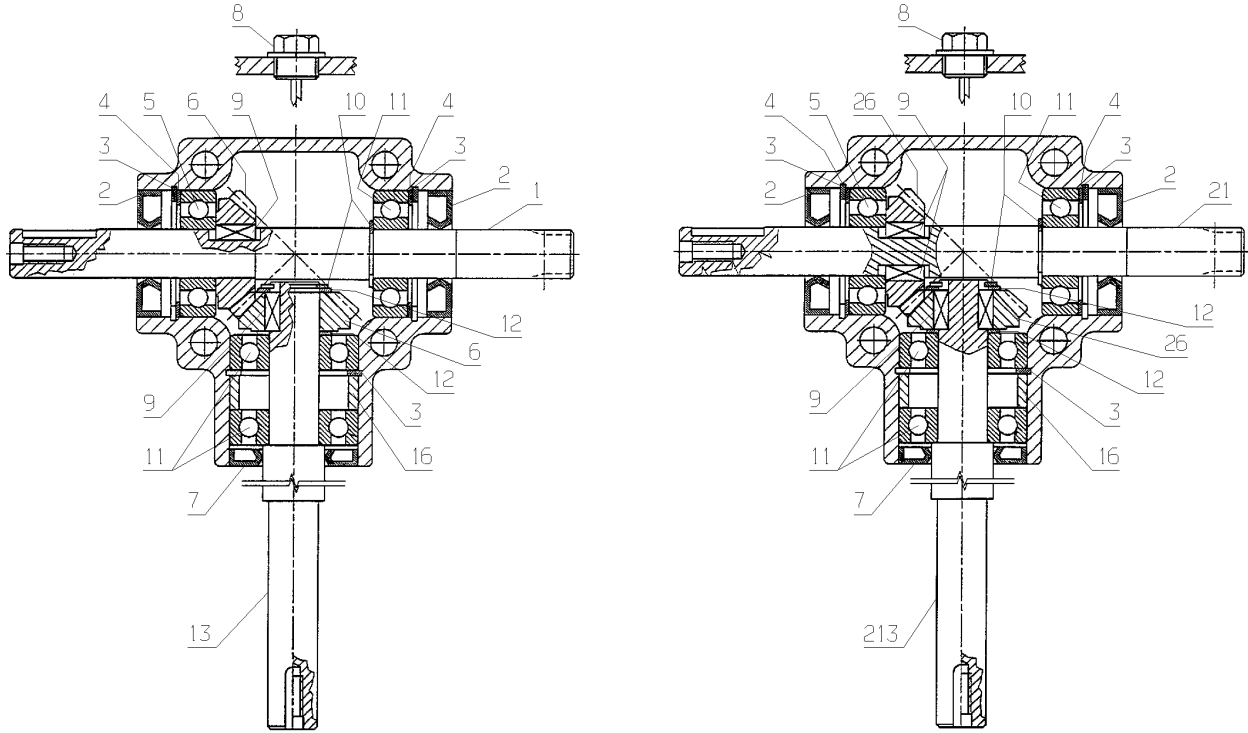


H124D COMER

11-2004

Number	Part Number	Name	Quantity
1	29710	INPUT SHAFT T	1,000
2	29701	GASKET 20X52	1,000
3	71037	CIRCLIP, DIN 472 52	1,000
4	29712	SHIM SET 51.5	1,000
5	29707	BEARING 6304	1,000
6	29703	GEAR Z18 M12.8	1,000
7	29708	SEAL 25X52	1,000
8	29704	PLUG 3/8" GAS	1,000
9	29705	KEY 6X6X15	1,000
10	21703	CIRCLIP,DIN 471 20X	1,000
12	29711	SHIM SET 32.00	1,000
13	29706	OUTPUT SHAFT T	1,000
16	30417	SPACER	1,000
21	30415	T INPUT SHAFT	1,000
26	30412	GEAR	1,000
213	30413	T OUPUT SHAFT	1,000

512.01



H124D COMER

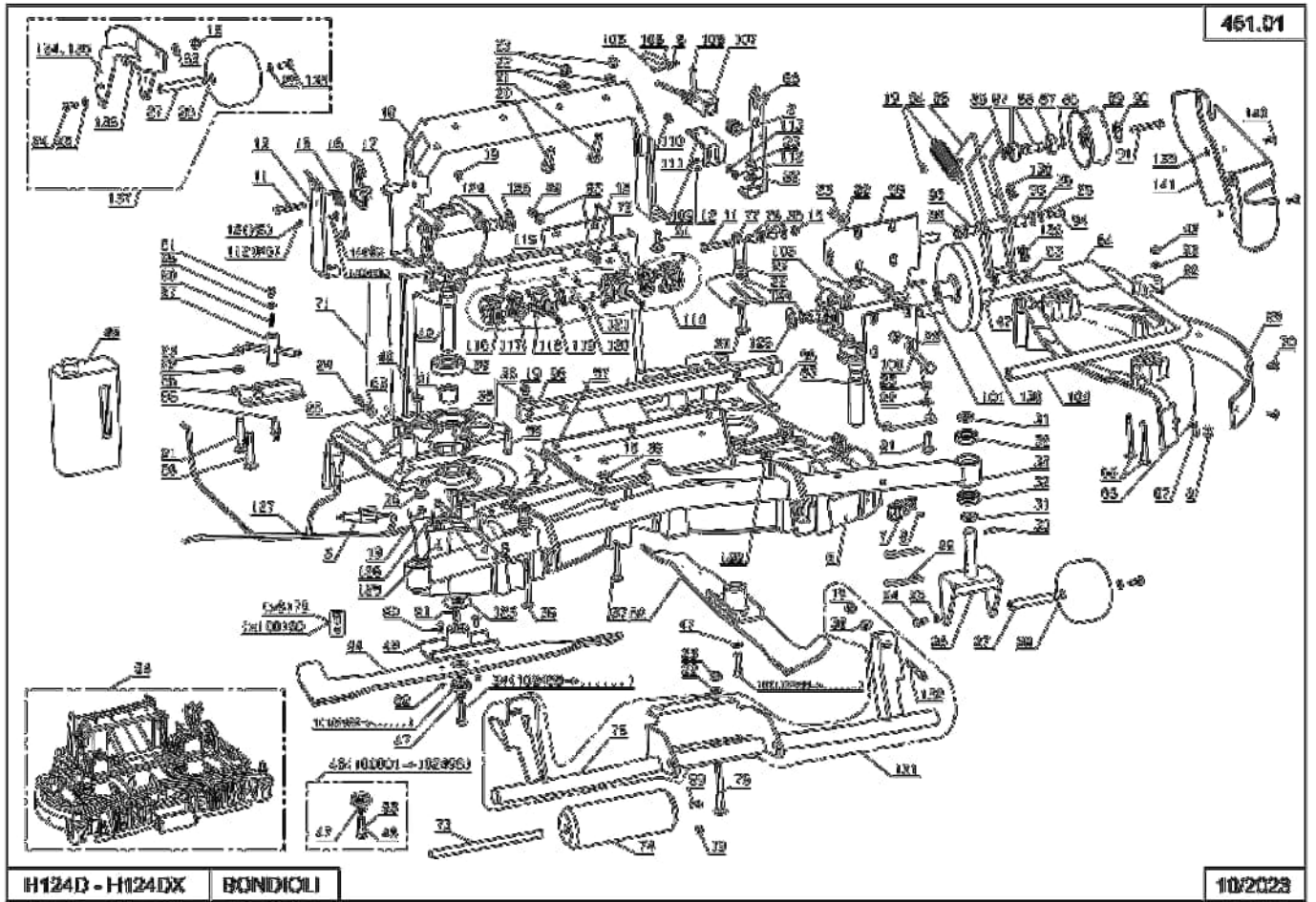
11-2004

Number	Part Number	Name	Quantity
1	30898	BLADE FIX.WASHER	1,000
2	29789	CONTACTOR GROMMET	1,000
3	30154	PUSH SWITCH KIT	1,000
4	71024	WASHER PL A 4,3	1,000
5	21525	NUT HM4	1,000
6	29001	FRAME	1,000
7	29721	CLAMP	1,000
8	71352	SCREW M4X10	1,000
9	29578	WIRING FASTENER	1,000
10	71414	SCREW M10X30,10	1,000
11	21687	HEXAGON SCREW,DIN 9	1,000
12	37561	NUT	1,000
13	29213	R.H EXT.CUT.HEIGHT	1,000
14	24154	THREADED SHAFT	1,000
15	29544	TORSION SPRING	1,000
16	29611	CUTTING H.HOOK	1,000
17	29028	HOOK SHAFT	1,000
18	29223	REAR CUT.HEIGHT FAS	1,000
19	71205	SCREW M8	1,000
20	71263	SCREW M10X50	1,000
21	71262	SCREW M10X65	1,000
22	21036	FLAT WASHER 10.5	1,000
23	9017	NUT HM10	1,000
24	71413	SCREW HM 8-20	1,000
25	71343	SPRING WASHER A8	1,000
26	29802	ANTI-SCALP ROL.FORK	1,000
27	29219	ANTI-SCALP ROL.SHAF	1,000
28	29004	ANTI SCALP ROLLER	1,000
29	71228	BETA PIN 4	1,000
30	20552	COTTER PIN V 5X32	1,000
31	25348	WASHER	1,000
32	29073	BEARING DIA.20	1,000
33	30699	ANTISCALP ROL.BRAC.	1,000
34	71415	SCREW M10-30 L.	1,000
35	71297	SCREW M8X90 8,8	1,000
36	7035	FLAT WASHER	1,000
37	71332	SCREW M8X75 8.8	1,000
38	28171	BLADE BEARING	1,000
39	21553	BEARING 6305-2RS	1,000
40	20520	BOLT 8X45	1,000
41	28020	BLADE BEARING SPACR	1,000

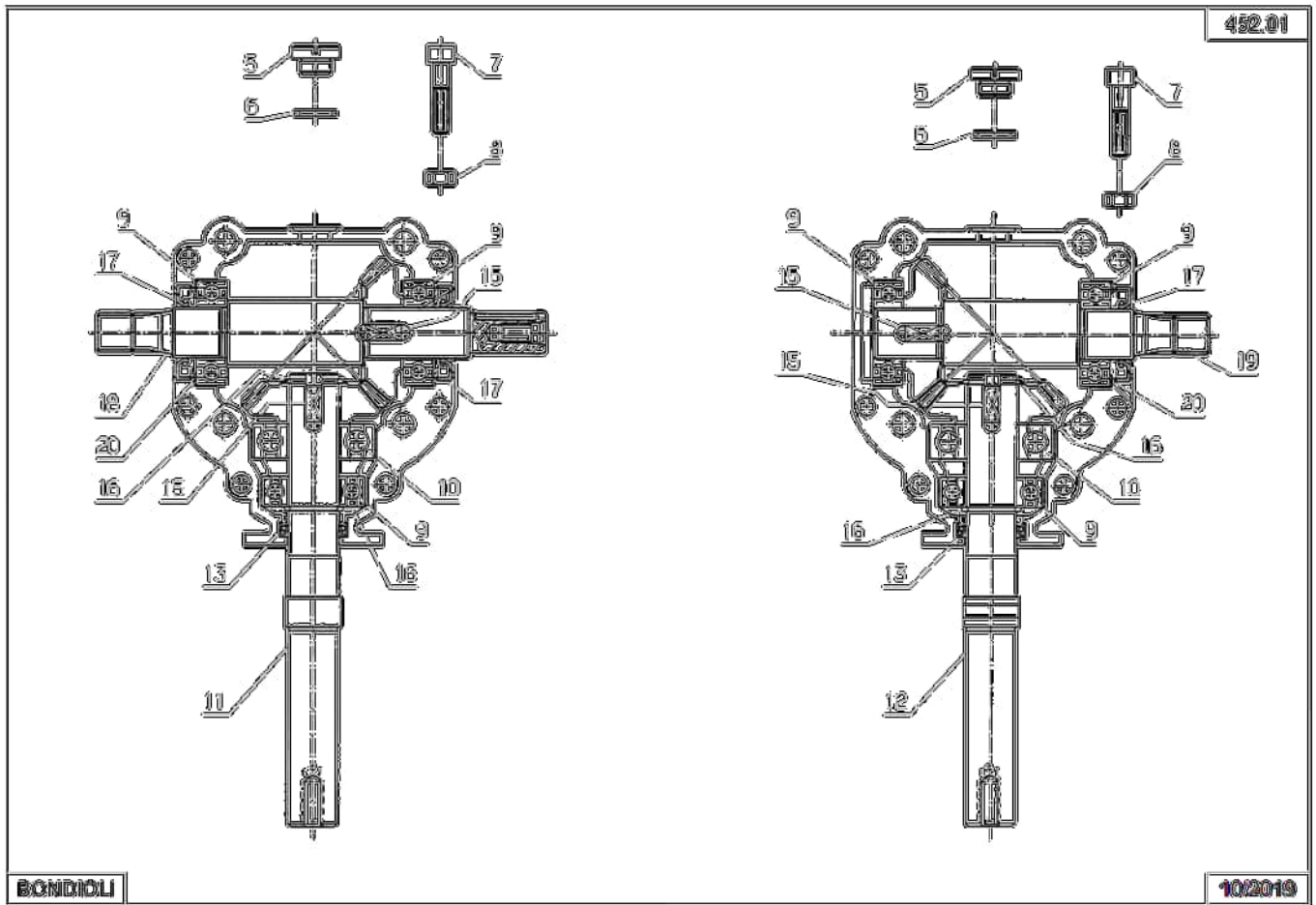
Number	Part Number	Name	Quantity
42	30441	-> 54223	1,000
43	5043	NUT	1,000
44	MZ124R	RIGHT BLADE	1,000
45	29590	ANGLEGEAR OILCAN 1L	1,000
46	29650	BLADE FIXING KIT	1,000
47	71052	SPRING WASHER,DIN 1	1,000
48	71242	HEX.SCREW HM10X35	1,000
49	30442	BLADE COUP. D.25 MM	1,000
50	71231	SCREW JM5-16	1,000
51	71451	KEY 8X7X25 C	1,000
52	MZ124L	LEFT BLADE	1,000
53	71031	LH HEXAG.SCREW,DIN	1,000
54	30136	CUTTING DECK CPL124	1,000
55	29790	DECK PIN	1,000
56	29543	SQUEEZE PLATE	1,000
57	30164	FIXING LEVER	1,000
58	71445	SCREW J M10-75	1,000
59	37997	SCREW HM6-16 8.8	1,000
60	29747	CUT.DECK GRIP SPRIN	1,000
61	71316	SCREW HM8X10	1,000
62	29012	LINKING BRACKET	1,000
63	7335	WASHER	1,000
64	13089	ETIQ. TRAPPE FR.	1,000
66	29002	CUTTING SIDE PART	1,000
67	29722	CLAMP HOOK	1,000
68	29537	FASTENER EXT.RH CUT	1,000
69	29587	CUT.DECK SIDE PROT.	1,000
70	71361	SCREW RL X M6X16	1,000
71	29418	CUT.DEC.OUTPUT PLAT	1,000
72	29419	CUT.DEC.OUTPUT PLAT	1,000
73	53095	AXLE	1,000
74	25015	FRONT ROLLER	1,000
75	30401	ROLLER BRACKET	1,000
76	71264	SCREW M10X100	1,000
77	29119	TENS.SPRING BRACKET	1,000
78	29123	TENSIONNER SPACER	1,000
79	26157	SET OF 8 SHEARBOLTS	1,000
80	26357	100 SHEAR BOLTS	1,000
81	71251	SCREW M10X35	1,000
83	30446	CORNER GEAR BRACKET	1,000
84	29045	TENSION SPRING	1,000

Number	Part Number	Name	Quantity
85	29533	TENSIONNER ARM	1,000
86	71047	CIRCLIP DIN 471 15X	1,000
87	25112	BALL BEARING,6202 S	1,000
88	29116	TENSION PULLEY SHAF	1,000
89	29115	TENSIONNER PULLEY	1,000
90	71039	CIRCLIP,DIN 427 35X	1,000
91	20633	HEX.SCREW 8X65	1,000
92	29745	ADJUSTMENT BUSH	1,000
93	28070	SLEEVE 15/17/20	1,000
94	9056	BOLT 8X25	1,000
95	30444	BRACKET MOBILE TENS	1,000
96	30448	CORNER GEAR FIX.BAR	1,000
97	30447	CUT.DECK REINF.PLAT	1,000
98	71450	SCREW H M10-150	1,000
99	21114	BOLT 8X40	1,000
100	71356	HEX.SCREW M10X130	1,000
101	71006	A-SHAPE KEY,DIN 688	1,000
103	30440	-> 54222	1,000
104	29010	LINKING TUBE	1,000
105	71209	SCREW HM4X16	1,000
106	29560	FILLING INDICAT.CUP	1,000
107	28210	BUZZER SWITCH	1,000
108	5399	BOLT M5X40	1,000
109	20564	WASHER 5,5	1,000
110	20507	BOLT HM 6X20	1,000
111	29267	FILLING INDIC.BRACK	1,000
112	71201	NUT M6	1,000
113	2235	WASHER A6.4	1,000
114	29972	ELASTIC COUPLING CP	1,000
115	71420	IN.HEX SCREW M8X16	1,000
116	29988	SPLINE BORE HUB	1,000
117	29990	RING 64 SHORES	1,000
118	29989	HUB	1,000
119	71044	CAP SCREW,DIN 912-8	1,000
120	29992	PRESS. SCREW8X12	1,000
121	29991	TUBE ZR 30X4	1,000
123	28530	PROTECTION WASHER	1,000
124	71265	CIRCLIP 19	1,000
125	7330	WASHER	1,000
126	30082	SWITCH SUPPORT	1,000
127	30081	DECK WIRING	1,000

Number	Part Number	Name	Quantity
128	29576	COVER WIRING FAST.	1,000
129	71378	HEX.SCREW M4X16	1,000
130	30408	PULLEY D.155/D.195	1,000
131	30396	SUB FRAME KIT	1,000
132	71068	HEXAGON SCREW,DIN 9	1,000
134	30393	RH ROLLER BRACKET	1,000
135	30394	LH ROLLER BRACKET	1,000
136	71373	SCREW M8X20	1,000
137	30395	ANTI-SCALP KIT	1,000
138	37499	1/4 ROTATION LOCK	1,000
139	37500	1/4 ROTATION WASHER	1,000
140	37501	1/4 ROTATION SCREW	1,000
141	37488	MOB.ELEM.PROTECTION	1,000
142	28137	CATCH BOLT SP.SCREW	1,000

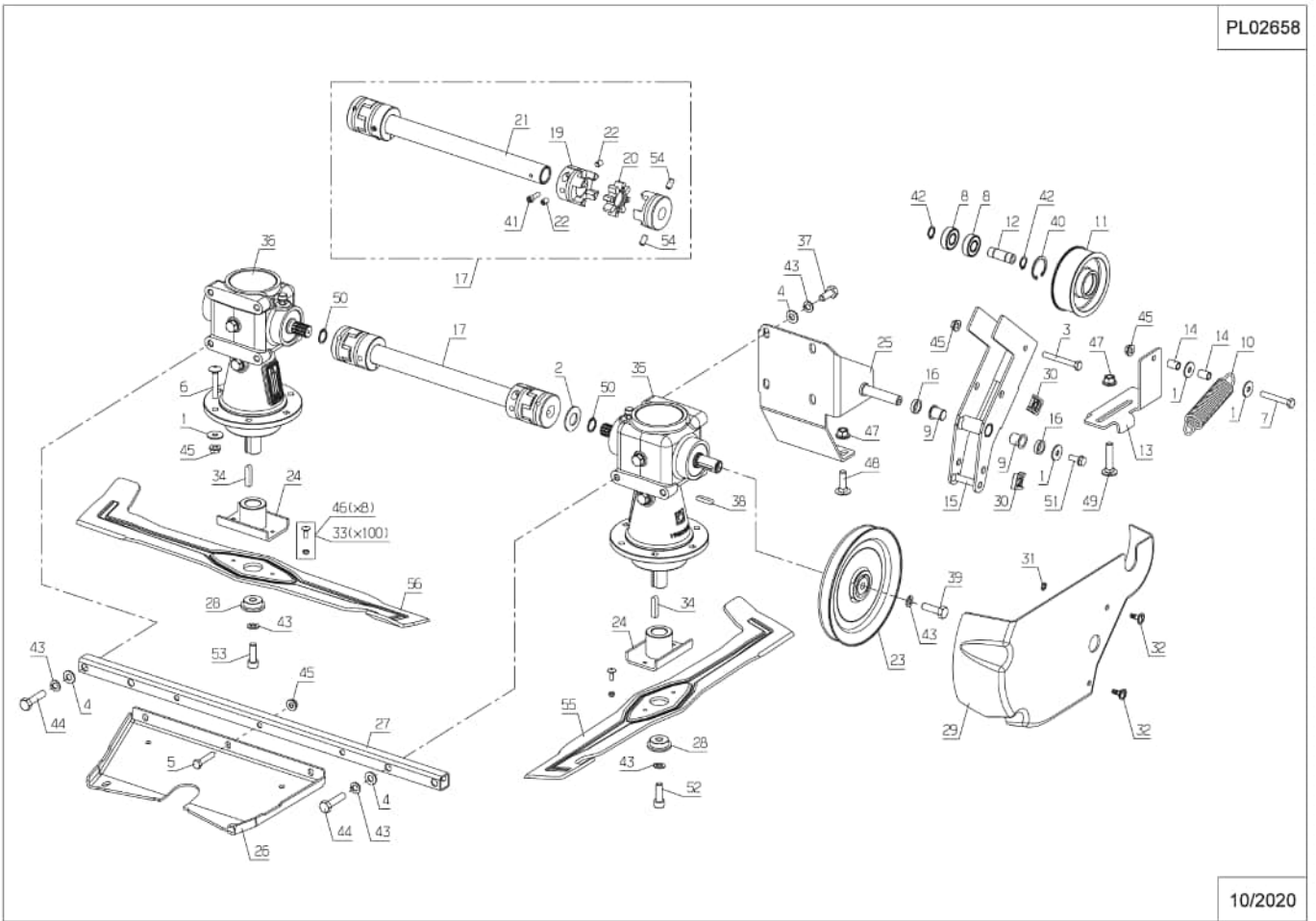


Number	Part Number	Name	Quantity
5	30622	OIL DRAIN PLUG	1,000
6	30613	OIL DR. PLUG GASKET	1,000
7	30614	SCREW	1,000
8	30615	NUT	1,000
9	34079	BEARING	1,000
10	34076	BEARING	1,000
11	30611	T OUT PUT SHAFT	1,000
12	30612	OUTPUT SHAFT	1,000
13	30620	LIP SEAL	1,000
15	30621	KEY	1,000
16	30616	CIRCLIP	1,000
17	30619	LIP SEAL	1,000
18	30610	T INPUT SHAFT	1,000
19	30609	L INPUT SHAFT	1,000
20	30623	SHIM	1,000



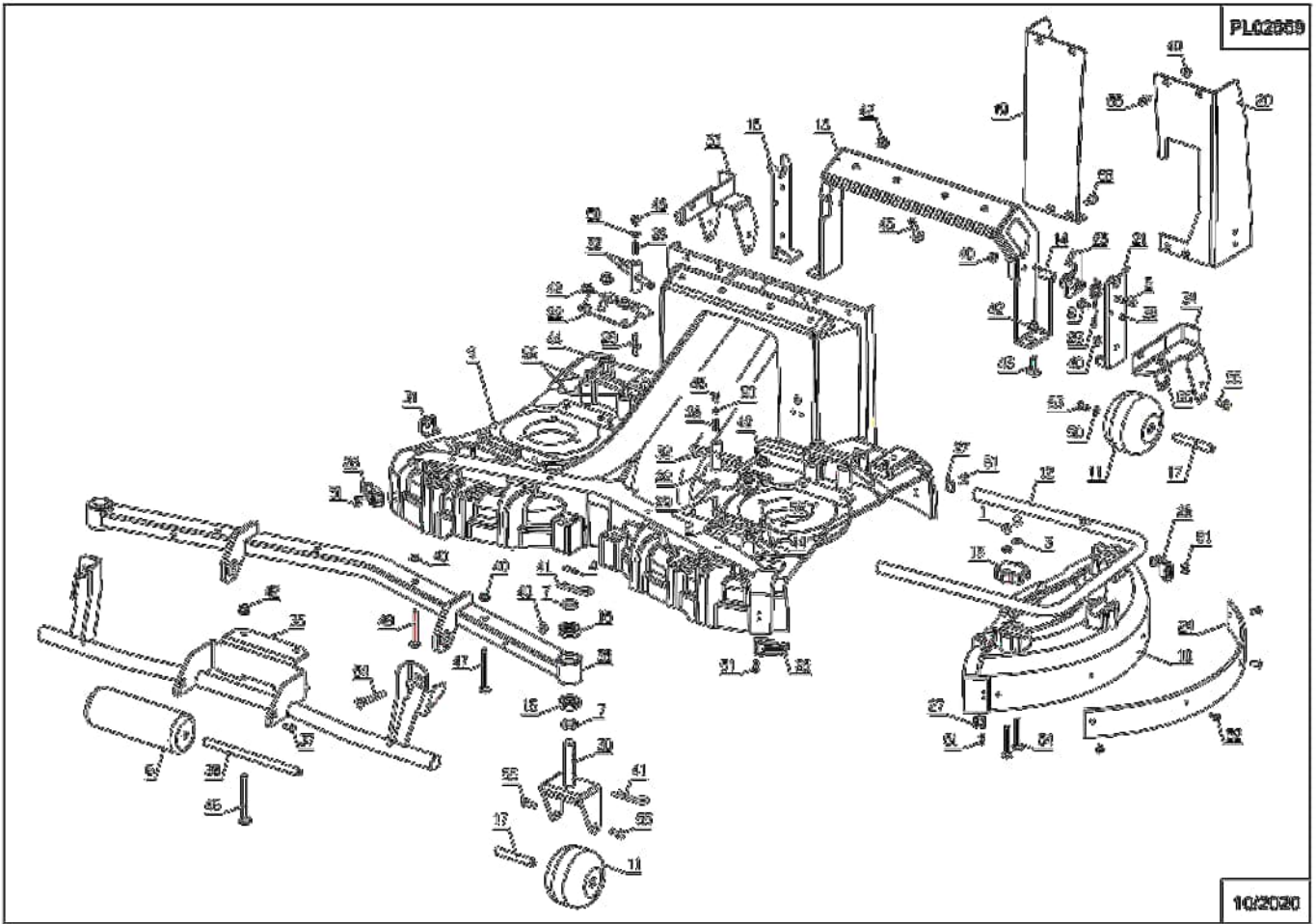
Number	Part Number	Name	Quantity
1	7035	FLAT WASHER	1,000
2	7330	WASHER	1,000
3	20633	HEX.SCREW 8X65	1,000
4	21036	FLAT WASHER 10.5	1,000
5	21114	BOLT 8X40	1,000
6	21513	BOLT M8X50	1,000
7	21687	HEXAGON SCREW,DIN 9	1,000
8	25112	BALL BEARING,6202 S	1,000
9	28070	SLEEVE 15/17/20	1,000
10	29045	TENSION SPRING	1,000
11	29115	TENSIONNER PULLEY	1,000
12	29116	TENSION PULLEY SHAF	1,000
13	29119	TENS.SPRING BRACKET	1,000
14	29123	TENSIONNER SPACER	1,000
15	29533	TENSIONNER ARM	1,000
16	29745	ADJUSTMENT BUSH	1,000
17	29972	ELASTIC COUPLING CP	1,000
18	29988	SPLINE BORE HUB	1,000
19	29989	HUB	1,000
20	29990	RING 64 SHORES	1,000
21	29991	TUBE ZR 30X4	1,000
22	29992	PRESS. SCREW8X12	1,000
23	30408	PULLEY D.155/D.195	1,000
24	30442	BLADE COUP. D.25 MM	1,000
25	30444	BRACKET MOBILE TENS	1,000
26	30447	CUT.DECK REINF.PLAT	1,000
27	30448	CORNER GEAR FIX.BAR	1,000
28	30898	BLADE FIX.WASHER	1,000
29	37488	MOB.ELEM.PROTECTION	1,000
30	37499	1/4 ROTATION LOCK	1,000
31	37500	1/4 ROTATION WASHER	1,000
32	37501	1/4 ROTATION SCREW	1,000
33	26357	100 SHEAR BOLTS	1,000
34	38031	KEY C 8X7X35	1,000
35	54222	CORNER GEAR LEFT	1,000
36	54223	CORNER GEAR RIGHT	1,000
37	70086	HEXAGON SCREW,DIN 9	1,000
38	71006	A-SHAPE KEY,DIN 688	1,000
39	71031	LH HEXAG.SCREW,DIN	1,000
40	71039	CIRCLIP,DIN 427 35X	1,000
41	71044	CAP SCREW,DIN 912-8	1,000

Number	Part Number	Name	Quantity
42	71047	CIRCLIP DIN 471 15X	1,000
43	71052	SPRING WASHER,DIN 1	1,000
44	71198	HEX.SCREW HM10X45	1,000
45	71205	SCREW M8	1,000
46	26157	SET OF 8 SHEARBOLTS	1,000
47	71249	SCREW M10	1,000
48	71251	SCREW M10X35	1,000
49	71263	SCREW M10X50	1,000
50	71265	CIRCLIP 19	1,000
51	71413	SCREW HM 8-20	1,000
52	71414	SCREW M10X30,10	1,000
53	71415	SCREW M10-30 L.	1,000
54	71420	IN.HEX SCREW M8X16	1,000
55	MZ124L	LEFT BLADE	1,000
56	MZ124R	RIGHT BLADE	1,000



Number	Part Number	Name	Quantity
1	5043	NUT	1,000
2	7035	FLAT WASHER	1,000
3	7335	WASHER	1,000
4	20552	COTTER PIN V 5X32	1,000
5	21687	HEXAGON SCREW,DIN 9	1,000
6	25015	FRONT ROLLER	1,000
7	25348	WASHER	1,000
8	28137	CATCH BOLT SP.SCREW	1,000
9	29001	FRAME	1,000
10	29002	CUTTING SIDE PART	1,000
11	29004	ANTI SCALP ROLLER	1,000
12	29010	LINKING TUBE	1,000
13	29012	LINKING BRACKET	1,000
14	29028	HOOK SHAFT	1,000
15	29073	BEARING DIA.20	1,000
16	29213	R.H EXT.CUT.HEIGHT	1,000
17	29219	ANTI-SCALP ROL.SHAF	1,000
18	29223	REAR CUT.HEIGHT FAS	1,000
19	29418	CUT.DEC.OUTPUT PLAT	1,000
20	29419	CUT.DEC.OUTPUT PLAT	1,000
21	29537	FASTENER EXT.RH CUT	1,000
22	29543	SQUEEZE PLATE	1,000
23	29544	TORSION SPRING	1,000
24	29587	CUT.DECK SIDE PROT.	1,000
25	29611	CUTTING H.HOOK	1,000
26	29721	CLAMP	1,000
27	29722	CLAMP HOOK	1,000
28	29747	CUT.DECK GRIP SPRIN	1,000
29	29790	DECK PIN	1,000
30	29802	ANTI-SCALP ROL.FORK	1,000
31	30082	SWITCH SUPPORT	1,000
32	30164	FIXING LEVER	1,000
33	30393	RH ROLLER BRACKET	1,000
34	30394	LH ROLLER BRACKET	1,000
35	30401	ROLLER BRACKET	1,000
36	30699	ANTISCALP ROL.BRAC.	1,000
37	37997	SCREW HM6-16 8.8	1,000
38	53095	AXLE	1,000
39	71201	NUT M6	1,000
40	71205	SCREW M8	1,000
41	71228	BETA PIN 4	1,000

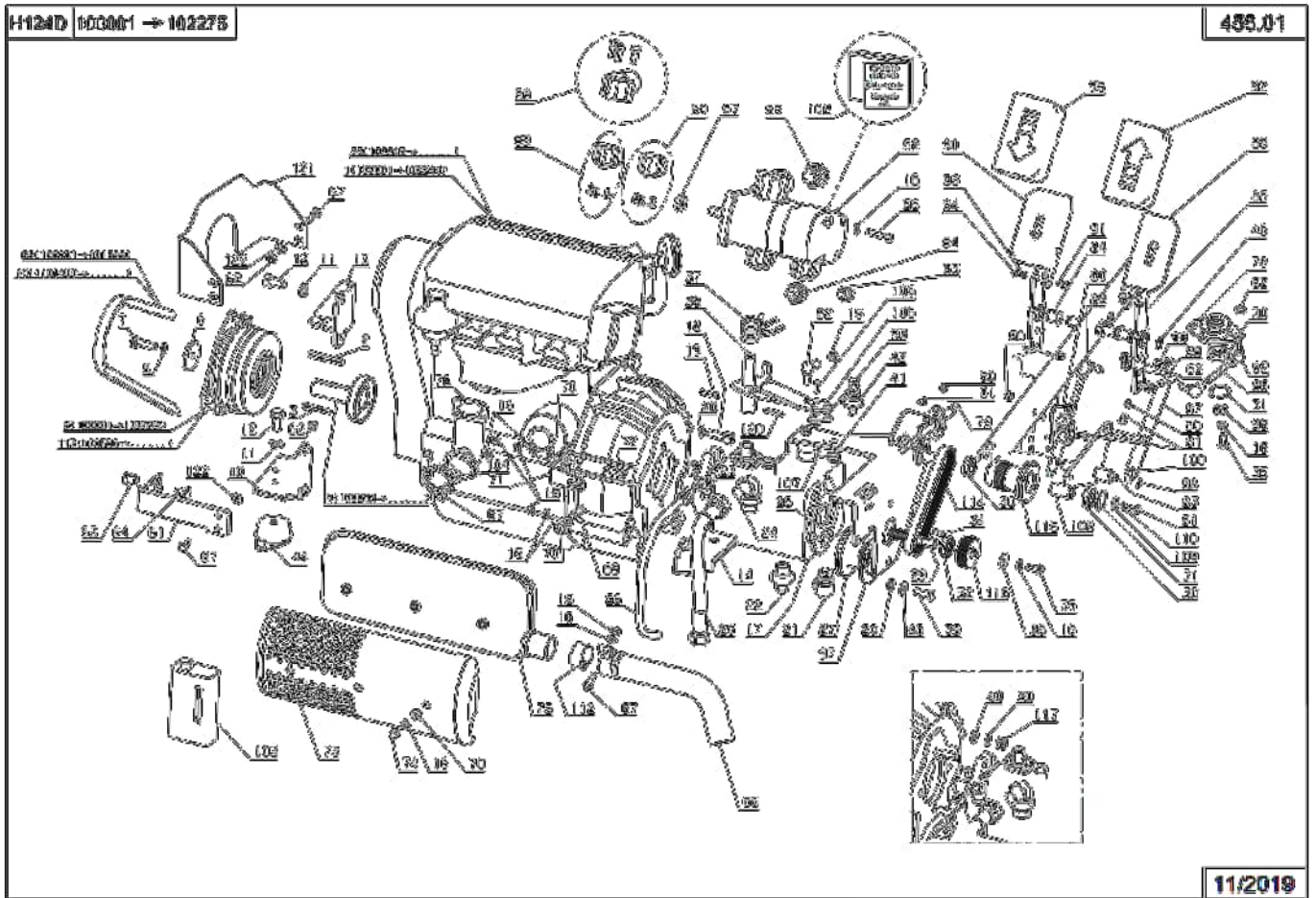
Number	Part Number	Name	Quantity
42	71249	SCREW M10	1,000
43	71251	SCREW M10X35	1,000
44	71262	SCREW M10X65	1,000
45	71263	SCREW M10X50	1,000
46	71264	SCREW M10X100	1,000
47	71297	SCREW M8X90 8,8	1,000
48	71316	SCREW HM8X10	1,000
49	71332	SCREW M8X75 8.8	1,000
50	71343	SPRING WASHER A8	1,000
51	71352	SCREW M4X10	1,000
52	71361	SCREW RL X M6X16	1,000
53	71373	SCREW M8X20	1,000
54	71382	SCREW M8X65	1,000
55	71413	SCREW HM 8-20	1,000
56	71445	SCREW J M10-75	1,000



Number	Part Number	Name	Quantity
1	30594	ENGINE WIRING	1,000
2	71192	KEY	1,000
3	71342	SCREW M6X45 8.8	1,000
4	29812	BLAD.CLUTH CON.WASH	1,000
5	37042	CLUTCH GT 2.5	1,000
6	7341	FLAT WASHER 10,3X49	1,000
7	71031	LH HEXAG.SCREW,DIN	1,000
8	71052	SPRING WASHER,DIN 1	1,000
9	36075	CLUTCH SHAFT	1,000
10	29108	ENGIN.BRACK.PDF2 R	1,000
11	71325	SPRING WASHER A12	1,000
12	71324	H.SCREW M12X25 8,8	1,000
13	29109	ENGI.BRACK.PDF2 FRO	1,000
14	29110	ENGINE BRACKET PDF1	1,000
15	2020	NUT HM8	1,000
16	71343	SPRING WASHER A8	1,000
17	29301	TRANSMISSION PUMP	1,000
18	71242	HEX.SCREW HM10X35	1,000
19	71315	PIN 1/4"	1,000
21	29266	CJM ADAPTER	1,000
22	29454	ADAPTER AJM	1,000
23	29458	ADAPTER CJM	1,000
24	29452	ADAPTER CJM	1,000
25	29309	T HOSE ENGINE/PUMP	1,000
26	29315	DRAIN HOSE PUMP>TAN	1,000
27	29389	PULLEY BEARING	1,000
28	29381	O-RING DIA.33	1,000
29	29391	PULLEY SHAFT	1,000
30	9022	BALL BEARING 6002	1,000
31	21256	CIRCLIP	1,000
32	29243	OIL SEAL 17X26	1,000
33	30981	ENGINE FOCS 1003	1,000
34	20606	KEY 5X5X20	1,000
35	71413	SCREW HM 8-20	1,000
36	7035	FLAT WASHER	1,000
37	29387	TORSION SPRING	1,000
38	29924	DRIVE CTRL.ROD CPLT	1,000
39	71454	SCRW.HUNC 3/8"1"1/4	1,000
40	21036	FLAT WASHER 10.5	1,000
41	9017	NUT HM10	1,000
42	29386	ECCENTRIC SHAFT	1,000

Number	Part Number	Name	Quantity
44	54643	ENGINE BRACKET FIX.	1,000
46	71047	CIRCLIP DIN 471 15X	1,000
50	71201	NUT M6	1,000
51	29135	FAN PULLEY SPRING	1,000
52	29438	DOUBLE GEAR PUMP	1,000
53	29456	ADAPTER AJM	1,000
54	29466	ADAPTER AJM	1,000
55	29467	ADAPTER AJM	1,000
56	22032	SCREW M8X35	1,000
57	29859	PUMP NUT	1,000
58	29931	CORNER FLANGE 3/4'	1,000
59	29932	CORNER FLANGE 1/2'	1,000
60	29933	CORNER FLANGE 3/8'	1,000
61	29121	CLUTCH STOP	1,000
62	71205	SCREW M8	1,000
63	29546	HEXAGONAL CLUTCH	1,000
64	9071	SCREW M8X20	1,000
65	29107	BELT 1900 MM	1,000
66	29741	EXHAUST JOINING	1,000
67	9056	BOLT 8X25	1,000
69	6169	SCREW HM8X16	1,000
70	7335	WASHER	1,000
71	29444	MUFFLER FAST.LUG	1,000
72	9061	BOLT 8X30	1,000
73	29106	EXT MUFFLER SCREEN	1,000
74	71316	SCREW HM8X10	1,000
75	29102	MUFFLER	1,000
76	29439	EXHAUST INTERFACE .	1,000
78	29925	MOVEMENT PLATE	1,000
79	29392	PEDAL CABLE	1,000
80	29396	PEDAL CABLE BRACKET	1,000
81	37997	SCREW HM6-16 8.8	1,000
82	28234	KNUCKLE M8	1,000
83	29556	-> 52180	1,000
84	28070	SLEEVE 15/17/20	1,000
85	29913	PEDAL PLATE	1,000
86	25555	PRIMARY CONTROL ROD	1,000
87	52180	SHOCK ABS.KIT TA	1,000
88	5602	ANNEAU TRUARC	1,000
89	28131	FORWARD PEDAL	1,000
90	28139	REVERSE PEDAL	1,000

Number	Part Number	Name	Quantity
91	71231	SCREW JM5-16	1,000
92	28167	COVERING FORW.PEDAL	1,000
93	37561	NUT	1,000
94	25900	PROTECTIVE COWL	1,000
95	28188	COVERING REV. PEDAL	1,000
96	71126	FLAT WASHER,DIN 734	1,000
97	29625	PULLEY PAPER WASHER	1,000
98	29964	KNUCKLE CASING AMT	1,000
99	29965	CHOCK ABSORB.KNUCKL	1,000
100	29966	CHOCK ABSORB.FORK	1,000
101	30409	BELT 1930 MM	1,000
102	30641	GASKETS SET	1,000
103	29591	-> 54934	1,000
104	29850	FOCS EXHAUST GASKET	1,000
105	2009	BOLT M5X16	1,000
106	29130	DRIVE HOSE ROCKER	1,000
107	30080	DRIVE SUPPORT	1,000
108	30049	SPACER 15-20-35	1,000
109	22029	FLAT WASHER 6,5	1,000
110	71049	SPRING WASHER,DIN 1	1,000
112	30137	MUFFLER LEAF METAL	1,000
113	37055	BLADE CLUTCH KIT	1,000
114	30209	BELT POLY V 425	1,000
115	30140	FAN FLANGE POLY	1,000
116	30139	DRIVE PULLEY POLY	1,000
117	71158	HEXAGONAL NUT HM10	1,000
118	29686	RING 10-19	1,000
119	30283	PEDAL CABLE BELLOW	1,000
120	71443	SPR.PN 5/32"1"1/4	1,000
121	30115	PROTECTION PLATE	1,000



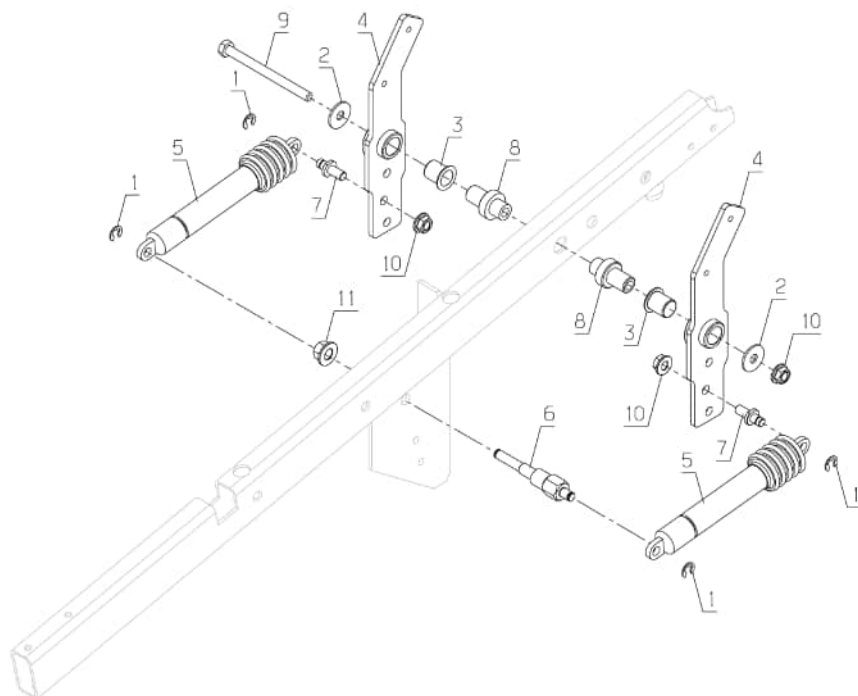
Number	Part Number	Name	Quantity
1	30981	ENGINE FOCS 1003	1,000
2	71192	KEY	1,000
3	71342	SCREW M6X45 8.8	1,000
4	29812	BLAD.CLUTH CON.WASH	1,000
5	37042	CLUTCH GT 2.5	1,000
6	7341	FLAT WASHER 10,3X49	1,000
7	71031	LH HEXAG.SCREW,DIN	1,000
8	71052	SPRING WASHER,DIN 1	1,000
9	36075	CLUTCH SHAFT	1,000
10	29108	ENGIN.BRACK.PDF2 R	1,000
11	71325	SPRING WASHER A12	1,000
12	71324	H.SCREW M12X25 8,8	1,000
13	29109	ENGI.BRACK.PDF2 FRO	1,000
14	29110	ENGINE BRACKET PDF1	1,000
15	2020	NUT HM8	1,000
16	71343	SPRING WASHER A8	1,000
17	30019	-> 54342	1,000
18	71242	HEX.SCREW HM10X35	1,000
19	9061	BOLT 8X30	1,000
21	29266	CJM ADAPTER	1,000
22	29454	ADAPTER AJM	1,000
23	30048	ADAPTER CJM	1,000
24	29452	ADAPTER CJM	1,000
25	29309	T HOSE ENGINE/PUMP	1,000
26	30012	HOSE	1,000
27	30432	TRANS.PUMP FLANGE	1,000
28	71455	SCRW.UHUNC 5/16"-3"	1,000
29	29391	PULLEY SHAFT	1,000
30	9022	BALL BEARING 6002	1,000
31	21256	CIRCLIP	1,000
32	29243	OIL SEAL 17X26	1,000
33	30020	O-RING 3"1/4	1,000
34	20606	KEY 5X5X20	1,000
35	71413	SCREW HM 8-20	1,000
36	7035	FLAT WASHER	1,000
37	29387	TORSION SPRING	1,000
38	38949	STEERING ROD	1,000
39	71454	SCRW.HUNC 3/8"1"1/4	1,000
40	21036	FLAT WASHER 10.5	1,000
41	9017	NUT HM10	1,000
42	29386	ECCENTRIC SHAFT	1,000

Number	Part Number	Name	Quantity
43	30426	BRACKET	1,000
44	54643	ENGINE BRACKET FIX.	1,000
45	20564	WASHER 5,5	1,000
46	71047	CIRCLIP DIN 471 15X	1,000
47	21608	SCREW 6X16 DIN	1,000
48	5399	BOLT M5X40	1,000
49	29257	SAFETY SWITCH	1,000
50	71201	NUT M6	1,000
51	38809	SENSOR BRACKET	1,000
52	29438	DOUBLE GEAR PUMP	1,000
53	29456	ADAPTER AJM	1,000
54	29466	ADAPTER AJM	1,000
55	29467	ADAPTER AJM	1,000
56	22032	SCREW M8X35	1,000
57	29859	PUMP NUT	1,000
58	29931	CORNER FLANGE 3/4'	1,000
59	29932	CORNER FLANGE 1/2'	1,000
60	29933	CORNER FLANGE 3/8'	1,000
61	29121	CLUTCH STOP	1,000
62	71205	SCREW M8	1,000
63	29546	HEXAGONAL CLUTCH	1,000
64	9071	SCREW M8X20	1,000
65	30409	BELT 1930 MM	1,000
66	29741	EXHAUST JOINING	1,000
67	9056	BOLT 8X25	1,000
68	38948	DRIVE CTRL ROD KIT	1,000
69	6169	SCREW HM8X16	1,000
70	7335	WASHER	1,000
71	29444	MUFFLER FAST.LUG	1,000
73	29106	EXT MUFFLER SCREEN	1,000
74	71316	SCREW HM8X10	1,000
75	29102	MUFFLER	1,000
76	29439	EXHAUST INTERFACE .	1,000
77	30549	KEY	1,000
78	29925	MOVEMENT PLATE	1,000
79	29392	PEDAL CABLE	1,000
80	29396	PEDAL CABLE BRACKET	1,000
81	37997	SCREW HM6-16 8.8	1,000
82	28234	KNUCKLE M8	1,000
83	29556	-> 52180	1,000
84	28070	SLEEVE 15/17/20	1,000

Number	Part Number	Name	Quantity
85	29913	PEDAL PLATE	1,000
86	25555	PRIMARY CONTROL ROD	1,000
87	52180	SHOCK ABS.KIT TA	1,000
88	5602	ANNEAU TRUARC	1,000
89	28131	FORWARD PEDAL	1,000
90	28139	REVERSE PEDAL	1,000
91	71231	SCREW JM5-16	1,000
92	28167	COVERING FORW.PEDAL	1,000
93	37561	NUT	1,000
94	25900	PROTECTIVE COWL	1,000
95	28188	COVERING REV. PEDAL	1,000
96	71126	FLAT WASHER,DIN 734	1,000
98	29964	KNUCKLE CASING AMT	1,000
99	29965	CHOCK ABSORB.KNUCKL	1,000
100	29966	CHOCK ABSORB.FORK	1,000
101	35423	HOSE	1,000
102	30641	GASKETS SET	1,000
103	29591	-> 54934	1,000
104	29850	FOCS EXHAUST GASKET	1,000
105	2009	BOLT M5X16	1,000
106	38879	DEAD POINT CAM	1,000
108	30049	SPACER 15-20-35	1,000
109	22029	FLAT WASHER 6,5	1,000
110	71049	SPRING WASHER,DIN 1	1,000
111	29340	T HOSE A6/LIFT RIGH	1,000
112	30137	MUFFLER LEAF METAL	1,000
114	30209	BELT POLY V 425	1,000
115	30140	FAN FLANGE POLY	1,000
116	30139	DRIVE PULLEY POLY	1,000
118	30234	PUSH SWITCH	1,000
119	51633	BRACKET	1,000
121	30115	PROTECTION PLATE	1,000
124	36426	KEY B6.35	1,000
125	37055	BLADE CLUTCH KIT	1,000
126	37482	CLUTCH SPACER	1,000
127	36134	CLUTCH STOP	1,000

Number	Part Number	Name	Quantity
1	5602	ANNEAU TRUARC	1,000
2	7035	FLAT WASHER	1,000
3	28070	SLEEVE 15/17/20	1,000
4	29913	PEDAL PLATE	1,000
5	51277	DAMPER	1,000
6	51849	AXLE	1,000
7	51888	AXLE	1,000
8	53408	PEDALE SHAFT	1,000
9	71124	HEXAG.SCREW HM8X100	1,000
10	71205	SCREW M8	1,000
11	71249	SCREW M10	1,000

PL02688

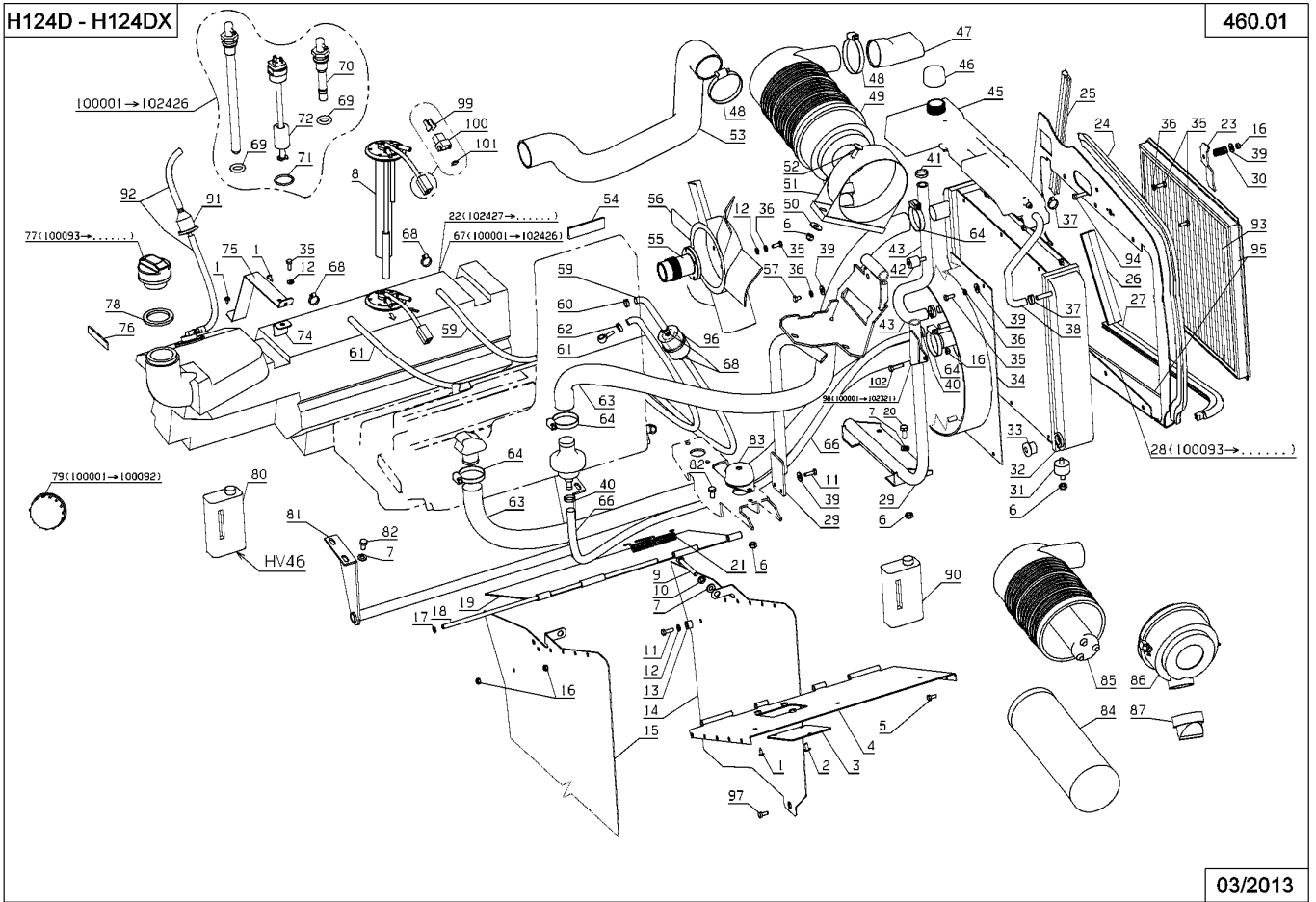


06/2022

Number	Part Number	Name	Quantity
1	71111	TAPPING SCREW,DIN 7	1,000
2	71142	SCREW M6X12	1,000
3	29628	FLAP FOR OIL DRAIN	1,000
4	29371	UPPER SIDE	1,000
5	71255	SCREW TH M6X14	1,000
6	71205	SCREW M8	1,000
7	7335	WASHER	1,000
8	30899	FUEL GAUGE	1,000
9	20633	HEX.SCREW 8X65	1,000
10	71343	SPRING WASHER A8	1,000
11	20507	BOLT HM 6X20	1,000
12	2235	WASHER A6.4	1,000
13	25012	RUBBER WASHER	1,000
14	29370	CHANNEL SIDE	1,000
15	29355	CHANNEL SIDE	1,000
16	71201	NUT M6	1,000
17	7377	TRUARC COLLAR DIN 7	1,000
18	29380	UPPER FLAP SHAFT	1,000
19	29335	UPPER FLAP	1,000
20	71413	SCREW HM 8-20	1,000
21	40069	DEFLECTOR SPRING	1,000
22	30740	GASOIL TANK	1,000
23	30273	RADIATOR GRID SCREW	1,000
24	29846	IMPERV.SLEEVE 800MM	1,000
25	29844	-> 29846	1,000
26	29842	-> 29846	1,000
27	29845	-> 29846	1,000
28	29841	RADIATOR PLATE	1,000
29	29538	RADIATOR BRACKET	1,000
30	24647	SPRING	1,000
31	29210	LOWER SILENTBLOC	1,000
32	29103	LOMBARDINI RADIATOR	1,000
33	29195	RADIAT.EMPTYING CAP	1,000
34	29832	RADIATOR VOLUTE	1,000
35	37997	SCREW HM6-16 8.8	1,000
36	71049	SPRING WASHER,DIN 1	1,000
37	28323	HOSE HAND CLIP	1,000
38	29139	WATER INPUT HOSE 8	1,000
39	21270	WASHER 6,4	1,000
40	29285	CLAMP 16,5	1,000
41	29284	CLAMP 20,5	1,000

Number	Part Number	Name	Quantity
42	29207	UPPER SILENTBLOC	1,000
43	29140	COMPENSAT.TANK HOSE	1,000
45	29142	COMPENSATION TANK	1,000
46	29200	COMPENSAT.TANK CAP	1,000
47	29746	HOSE SUCTION FILTER	1,000
48	29566	HOSE CLAMP 56 MM	1,000
49	29036	ENGINE AIR FILTER	1,000
50	7035	FLAT WASHER	1,000
51	29449	AIR FILTER RING	1,000
52	5347	SCREW 8X25	1,000
53	29754	AIR FILT.SUCT.HOSE	1,000
54	13151	LABEL HYDRO TANK	1,000
55	30140	FAN FLANGE POLY	1,000
56	29483	FAN HELIX	1,000
57	71355	HEX.SCREW M6X10	1,000
59	29565	HOSE OUTPUT ENGINE	1,000
60	29287	CLAMP 10	1,000
61	30281	FUEL HOSE 1400 MM	1,000
62	28370	HOSE HAND CLIP	1,000
63	29137	WATER HOSE 30	1,000
64	29283	HOSE CLAMP 38MM	1,000
66	29141	THERMIC OUTPUT HOSE	1,000
67	29133	-> 30740 + 30648	1,000
68	37002	COLLAR 10-18	1,000
69	25675	HYDRO TANK SEAL	1,000
70	30006	BACKFLOWPIPETTE	1,000
71	29381	O-RING DIA.33	1,000
72	29272	FUEL LEVEL INDICAT.	1,000
74	29557	TANK STOP	1,000
75	29188	DIESEL TANK BRACKET	1,000
76	13124	LABEL TANK DIESEL	1,000
77	29934	TANK CAP	1,000
78	29970	CAP JOINT	1,000
79	29935	TANK FULLING CAP	1,000
80	29592	2L HV46 OIL CAN	1,000
81	29805	HYDR.TANK FRONT BRA	1,000
82	6169	SCREW HM8X16	1,000
83	54643	ENGINE BRACKET FIX.	1,000
84	29644	MAIN AIR FILTER	1,000
85	29645	SAFETY AIR FILTER	1,000
86	29834	COVERING CAP	1,000

Number	Part Number	Name	Quantity
87	29833	EVACUATION VALVE	1,000
90	30149	COOLANT (2L)	1,000
91	25266	FILTER FUEL	1,000
93	30272	RADIATOR GRID	1,000
94	20693	HEX.SCREW HM6X25	1,000
95	30270	KIT RADIATOR FOAM 2	1,000
96	30119	FUEL FILTER	1,000
97	71423	SCREW IN.HEX.M10X12	1,000
98	30749	CENTR.COVER BOW KIT	1,000
99	30178	DEUTSCH MALE THIMBL	1,000
100	30181	4WAYS FEM.CONNECTOR	1,000
101	30198	KEY4WAYS FEM.CONNEC	1,000
102	71380	SCREW TH M6X35	1,000

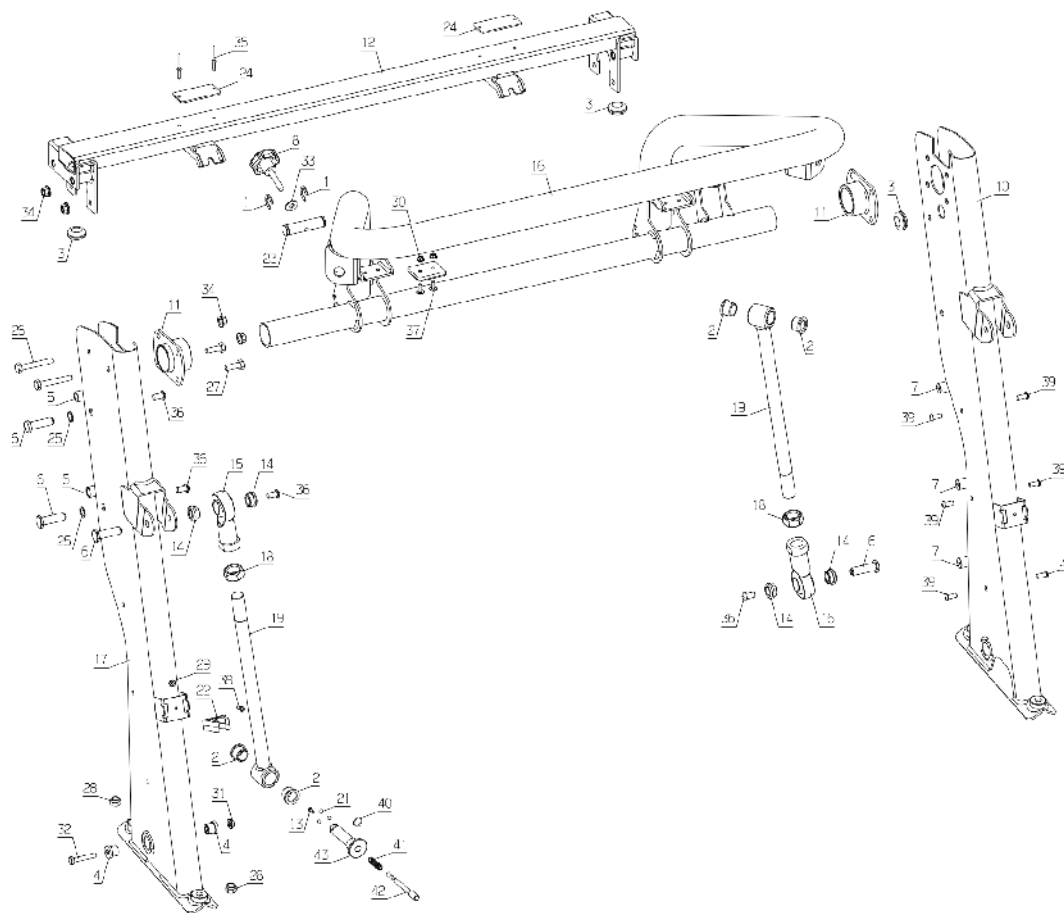


03/2013

Number	Part Number	Name	Quantity
1	1513	CIRCLIP 15	1,000
2	25416	SLEEVE PA 66 26/20X	1,000
3	25804	RUBBER FUNNEL 28	1,000
4	29336	UP.LOCH RAM SHAFT	1,000
5	29350	G.BOX CRANE SPACER	1,000
6	29770	CRANE ARM SHAFT	1,000
7	31219	HIGH LIFT BEAM AXLE	1,000
8	36960	GRIP	1,000
9	38466	RING M10	1,000
10	50360	CRANE ARM LEFT CPLT	1,000
11	50361	PIVOT	1,000
12	50367	TUBE	1,000
13	38130	SCREW M4X12,4.6	1,000
14	50374	UNTERLEGSSCHEIBE	1,000
15	50375	LINK BALL DIAM 25	1,000
16	52974	ROPS PROTECTION BAR	1,000
17	50410	ARM BRACK.RIGHT CPL	1,000
18	51296	NUT HM24.8	1,000
19	52425	REINF. BAR ROPS	1,000
20	52453	RUBBER STOP	1,000
21	52801	BALL DIA. 7.15	1,000
22	52493	CLIP 22-24	1,000
23	52500	AXLE	1,000
24	52528	PLATE	1,000
25	71016	WASHER 16X22X1	1,000
26	71032	KAWA SCREW H M10X75	1,000
27	71110	HEXAGON SCREW,DIN 9	1,000
28	71157	NUT AUTOFR.HM12	1,000
29	71200	SCREW M5	1,000
30	71201	NUT M6	1,000
31	71205	SCREW M8	1,000
32	71223	SCREW M8X50	1,000
33	71238	WASHER A10,2	1,000
34	71249	SCREW M10	1,000
35	71327	NAIL RIVET 4X21	1,000
36	71354	SCREW B HC M10X20	1,000
37	71361	SCREW RL X M6X16	1,000
38	71370	HEX.SCREW M5X16	1,000
39	71373	SCREW M8X20	1,000
40	28762	GASKET 10,77 X 2,6	1,000
41	52811	SPRING	1,000

Number	Part Number	Name	Quantity
42	52800	PIN AXLE	1,000
43	52799	PIN	1,000

PL02302

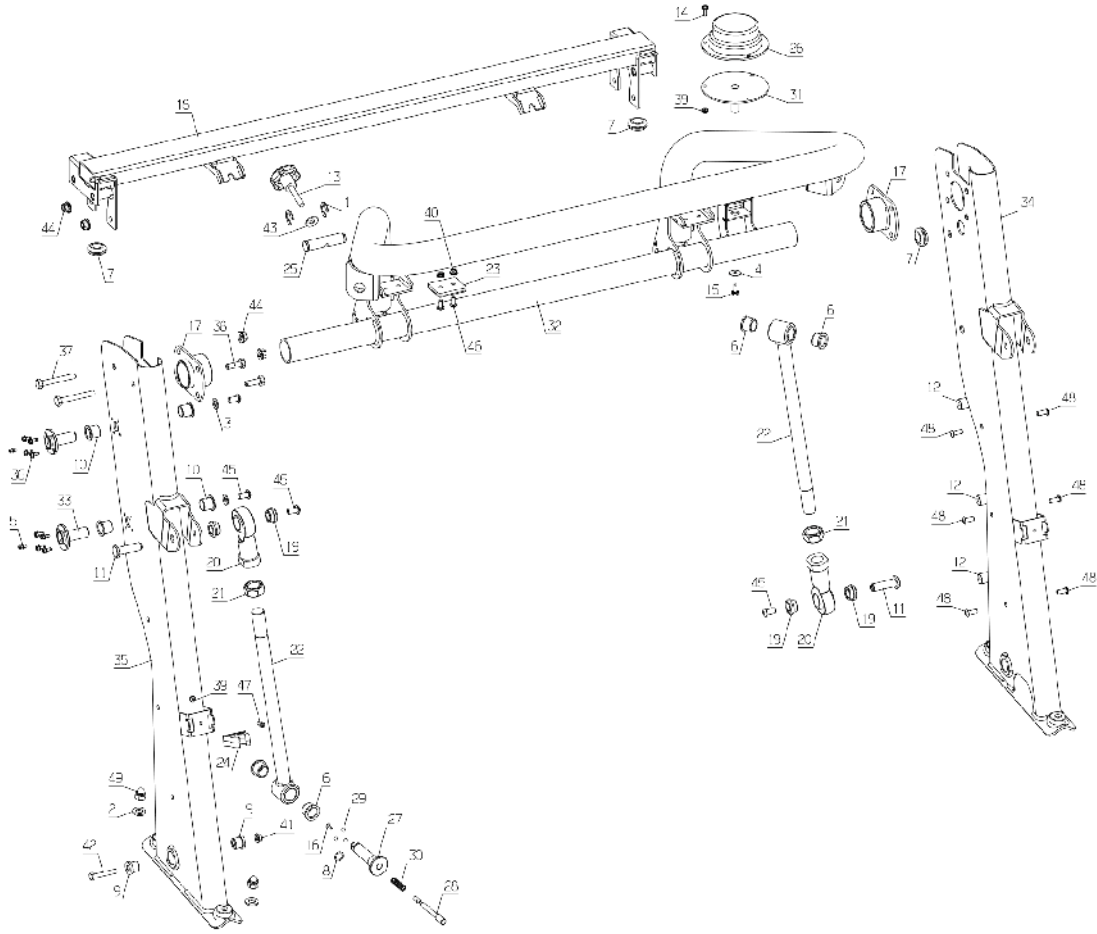


03/2018

Number	Part Number	Name	Quantity
1	1513	CIRCLIP 15	1,000
2	1560	FLAT WASHER 13X25X3	1,000
3	21036	FLAT WASHER 10.5	1,000
4	22029	FLAT WASHER 6,5	1,000
5	25301	RH STD "HYDRAULIC"	1,000
6	25416	SLEEVE PA 66 26/20X	1,000
7	25804	RUBBER FUNNEL 28	1,000
8	28762	GASKET 10,77 X 2,6	1,000
9	29336	UP.LOCH RAM SHAFT	1,000
10	29427	SLEEVE 20/23/21	1,000
11	29770	CRANE ARM SHAFT	1,000
12	31219	HIGH LIFT BEAM AXLE	1,000
13	36960	GRIP	1,000
14	37996	SCREW HM5-16 8.8	1,000
15	37997	SCREW HM6-16 8.8	1,000
16	38130	SCREW M4X12,4.6	1,000
17	50361	PIVOT	1,000
18	50367	TUBE	1,000
19	50374	UNTERLEGSSCHEIBE	1,000
20	50375	LINK BALL DIAM 25	1,000
21	51296	NUT HM24.8	1,000
22	52425	REINF. BAR ROPS	1,000
23	52453	RUBBER STOP	1,000
24	52493	CLIP 22-24	1,000
25	52500	AXLE	1,000
26	52664	-> 55276	1,000
27	52799	PIN	1,000
28	52800	PIN AXLE	1,000
29	52801	BALL DIA. 7.15	1,000
30	52811	SPRING	1,000
31	52889	LIGHT SUPPORT LED	1,000
32	52974	ROPS PROTECTION BAR	1,000
33	53198	BEAM ARM SHAFT	1,000
34	53200	BEAM ARM LEFT	1,000
35	53202	BEAM ARM RIGHT	1,000
36	53240	SCREW HM6 12,8,8 AF	1,000
37	71032	KAWA SCREW H M10X75	1,000
38	71110	HEXAGON SCREW,DIN 9	1,000
39	71200	SCREW M5	1,000
40	71201	NUT M6	1,000
41	71205	SCREW M8	1,000

Number	Part Number	Name	Quantity
42	71223	SCREW M8X50	1,000
43	71238	WASHER A10,2	1,000
44	71249	SCREW M10	1,000
45	71354	SCREW B HC M10X20	1,000
46	71361	SCREW RL X M6X16	1,000
47	71370	HEX.SCREW M5X16	1,000
48	71373	SCREW M8X20	1,000
49	71375	CAP NUT M12	1,000

PL02511



05/2018

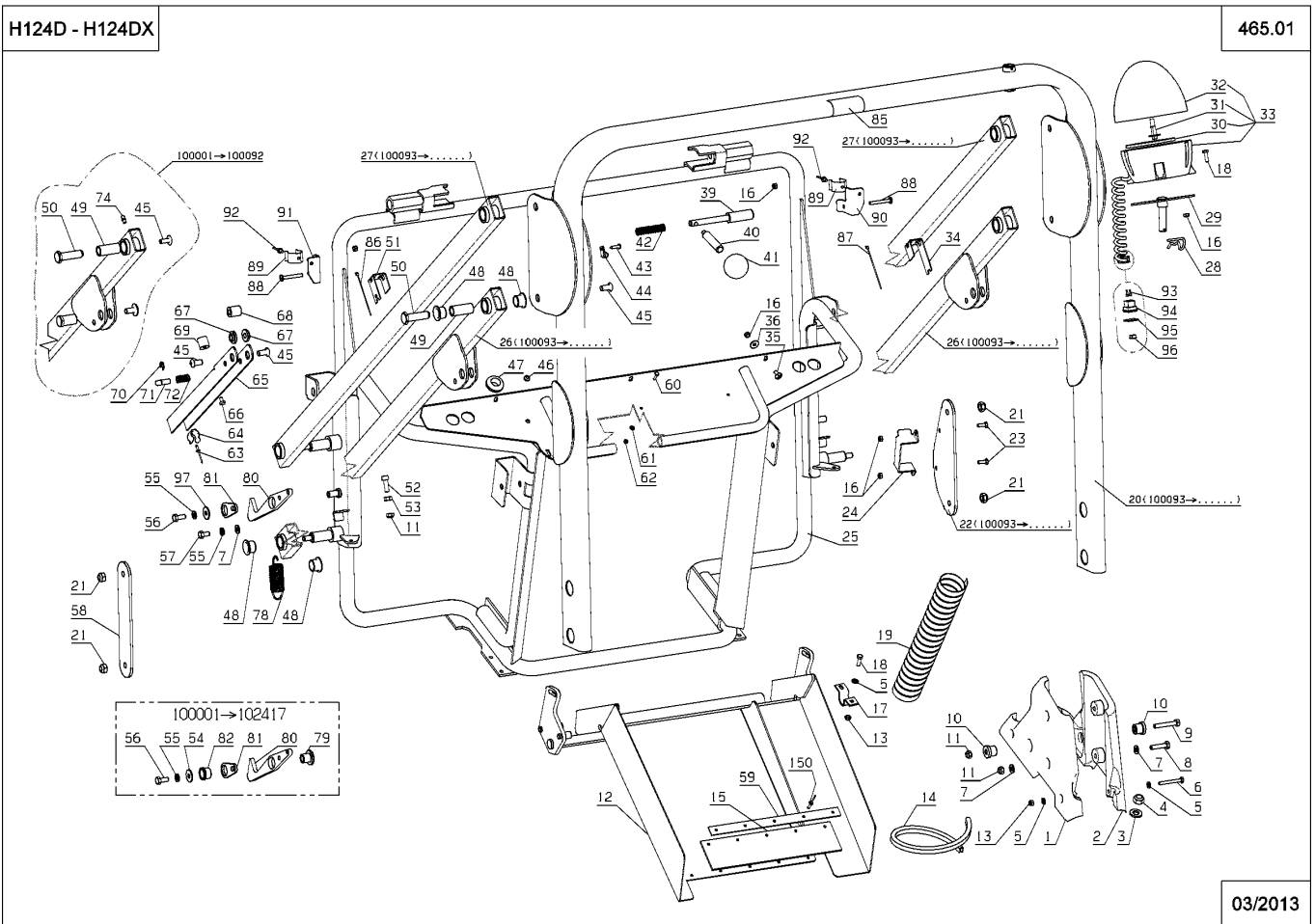
Number	Part Number	Name	Quantity
1	29398	RIGHT G.B CRANE FAS	1,000
2	29397	LEFT G.B CRANE FAST	1,000
3	1560	FLAT WASHER 13X25X3	1,000
4	71157	NUT AUTOFR.HM12	1,000
5	2235	WASHER A6.4	1,000
6	71023	SCREW HM 6X50	1,000
7	7335	WASHER	1,000
8	7038	SCREW,DIN933 H M 8X	1,000
9	71223	SCREW M8X50	1,000
10	29336	UP.LOCH RAM SHAFT	1,000
11	71205	SCREW M8	1,000
12	30166	FLAPPER	1,000
13	71201	NUT M6	1,000
14	28254	PROTECT.COATING 690	1,000
15	30167	RUBBER FLAPPER	1,000
17	25711	STRAP	1,000
18	20507	BOLT HM 6X20	1,000
19	29588	WIRE PROT.SLEE.1000	1,000
20	29917	HIGH LIFT BEAM	1,000
21	9017	NUT HM10	1,000
22	29725	LH ARM LINKAGE CPLT	1,000
23	37997	SCREW HM6-16 8.8	1,000
24	29726	GRASBOX HOSE GUIDE	1,000
25	29904	FIXED GRASSBOX	1,000
26	29916	LOW.HIGH LIFT.ARM	1,000
27	29915	UPP.HIGH LIFT.ARM	1,000
28	71228	BETA PIN 4	1,000
29	29806	WARNING LIGHT BRACK	1,000
30	29866	FLASHLIGHT BELT	1,000
31	29865	FLASHLIGHT BULB	1,000
32	29498	FLASHING LIGHT COVE	1,000
33	52665	FLASHLIGHT CPLT	1,000
34	29580	HOSE FASTENER	1,000
35	71422	RL M6X20 SCREW	1,000
36	21270	WASHER 6,4	1,000
37	71333	H.SCREW M6X30 8.8	1,000
38	29359	VERTICAL FLAP STOP	1,000
39	29426	GRASSBOX SHAFT	1,000
40	29372	BOX HANDLE	1,000
41	25560	LEVER PROTECTIVE	1,000
42	22457	CLUTCH SPRING	1,000

Number	Part Number	Name	Quantity
43	71111	TAPPING SCREW,DIN 7	1,000
44	29577	ARM WIRING FASTENER	1,000
45	71354	SCREW B HC M10X20	1,000
46	28317	RUBBER FUNEL DIA.5	1,000
47	25804	RUBBER FUNNEL 28	1,000
48	29427	SLEEVE 20/23/21	1,000
49	29350	G.BOX CRANE SPACER	1,000
50	29770	CRANE ARM SHAFT	1,000
51	29143	WIRING FASTENER	1,000
52	71090	-> 35735	1,000
53	2020	NUT HM8	1,000
54	7035	FLAT WASHER	1,000
55	71343	SPRING WASHER A8	1,000
56	71413	SCREW HM 8-20	1,000
57	6169	SCREW HM8X16	1,000
58	29553	ARM BOND PLATE	1,000
59	30168	FLAPPER PLATE	1,000
60	71209	SCREW HM4X16	1,000
61	7094	FLAT WASHER	1,000
62	21525	NUT HM4	1,000
63	71114	ALUMINUM NAIL RIVET	1,000
64	25886	17/20 CUP	1,000
65	29782	ARM BLOCKING PLATE	1,000
66	71355	HEX.SCREW M6X10	1,000
67	29781	LOWER LOCKING PIVOT	1,000
68	29780	HIGH LIFT RAM SHAFT	1,000
69	29783	RUBBER STOP	1,000
70	24684	TRUARC RING	1,000
71	29784	ARM BLOCKING SHAFT	1,000
72	24647	SPRING	1,000
74	25301	RH STD "HYDRAULIC"	1,000
78	28076	TENSION SPRING	1,000
79	29657	HOOK BUSH	1,000
80	29655	HOOK	1,000
81	29656	ADJUSTEMENT ROD	1,000
82	29648	ADJUSTEMENT SPACER	1,000
85	13177	LIFTING LABEL	1,000
86	21119	COLLAR 260 MM	1,000
87	30170	RILSAN COLLAR	1,000
88	71337	SCREW M6X45 4.8	1,000
89	25878	CUP 31/36	1,000

Number	Part Number	Name	Quantity
90	30268	RAM FIXING GRASBOX	1,000
91	30269	RAM FIXING GRASBOX	1,000
92	71241	NAIL RIVET 4,8X10,5	1,000
93	30200	THIMBLE DEUTSCH F.	1,000
94	30194	2 WAY CONNECTOR	1,000
95	30185	2 WAYS MALE BLOCK	1,000
96	30190	SHIM CONNECT.2 WAY	1,000
97	71311	WASHER 8X30X2,5	1,000
150	71112	DIA.4X18 STAR RIVET	1,000

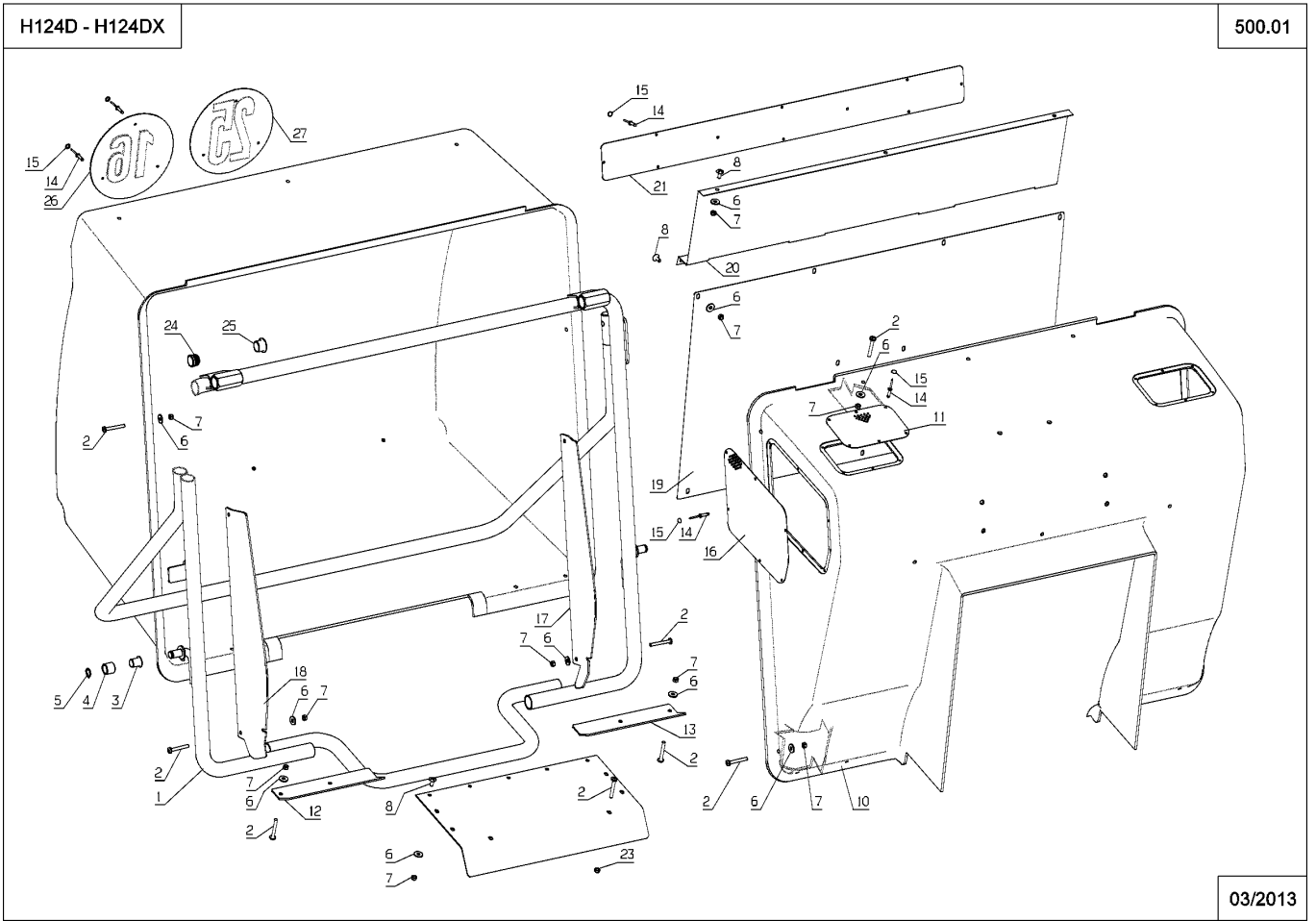
H124D - H124DX

465.01



03/2013

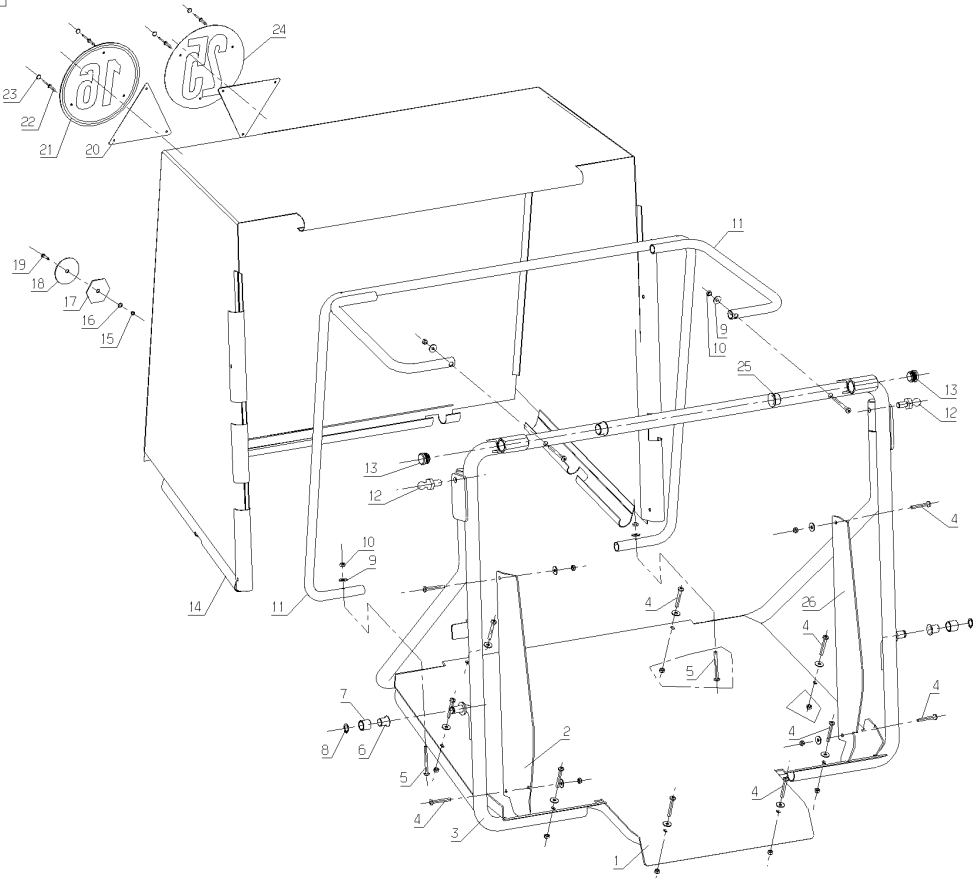
Number	Part Number	Name	Quantity
1	MH124	GRASS BOX-SOFT MAT.	1,000
2	71337	SCREW M6X45 4.8	1,000
3	28070	SLEEVE 15/17/20	1,000
4	29579	FLAP HOOK BUSH	1,000
5	71047	CIRCLIP DIN 471 15X	1,000
6	21270	WASHER 6,4	1,000
7	71201	NUT M6	1,000
8	71422	RL M6X20 SCREW	1,000
10	29358	FIX GRASS BOX	1,000
11	29425	UPPER SCREEN FIX GB	1,000
12	29662	RH LOWER IMPERV.PLA	1,000
13	29661	LH LOWER IMPERV.PLA	1,000
14	71327	NAIL RIVET 4X21	1,000
15	71328	NAIL RIVET CAP	1,000
16	29424	FIX.G.BOX SIDE GRID	1,000
17	29663	LH IMPERVIOUS PLATE	1,000
18	29664	RH IMPERVIOUS PLATE	1,000
19	29660	INNER REINF.GRASBOX	1,000
20	29430	UPPER PERFORATED PL	1,000
21	29364	REAR SCREEN MOB.BOX	1,000
24	29995	CAP DIA 25	1,000
25	29427	SLEEVE 20/23/21	1,000
26	30046	PLAQUE 16KM/H - ALL	1,000
27	52321	PLATE 12/25 KM/H	1,000



Number	Part Number	Name	Quantity
1	29717	ALUMINIUM BOTTOM	1,000
2	29664	RH IMPERVIOUS PLATE	1,000
3	30135	GRASSBOX BAG	1,000
4	71337	SCREW M6X45 4.8	1,000
5	71358	SCREW CB HM 6X50	1,000
6	28070	SLEEVE 15/17/20	1,000
7	29579	FLAP HOOK BUSH	1,000
8	71047	CIRCLIP DIN 471 15X	1,000
9	21270	WASHER 6,4	1,000
10	71201	NUT M6	1,000
11	29907	GRASSBAG FRAME	1,000
12	29929	MALE SOCKET DIA 12	1,000
13	29995	CAP DIA 25	1,000
14	29716	GRASSBAG	1,000
15	21525	NUT HM4	1,000
16	20564	WASHER 5,5	1,000
17	25080	REFLECTOR REINFORCT	1,000
18	25095	REFLECTOR	1,000
19	71207	CHC BOLT M4X20	1,000
20	30201	TRIANGLE FIX.PLAQ.	1,000
21	30046	PLAQUE 16KM/H - ALL	1,000
22	71327	NAIL RIVET 4X21	1,000
23	71328	NAIL RIVET CAP	1,000
24	52321	PLATE 12/25 KM/H	1,000
25	29427	SLEEVE 20/23/21	1,000
26	29663	LH IMPERVIOUS PLATE	1,000

H124D - H124DX

501.01



02/2007