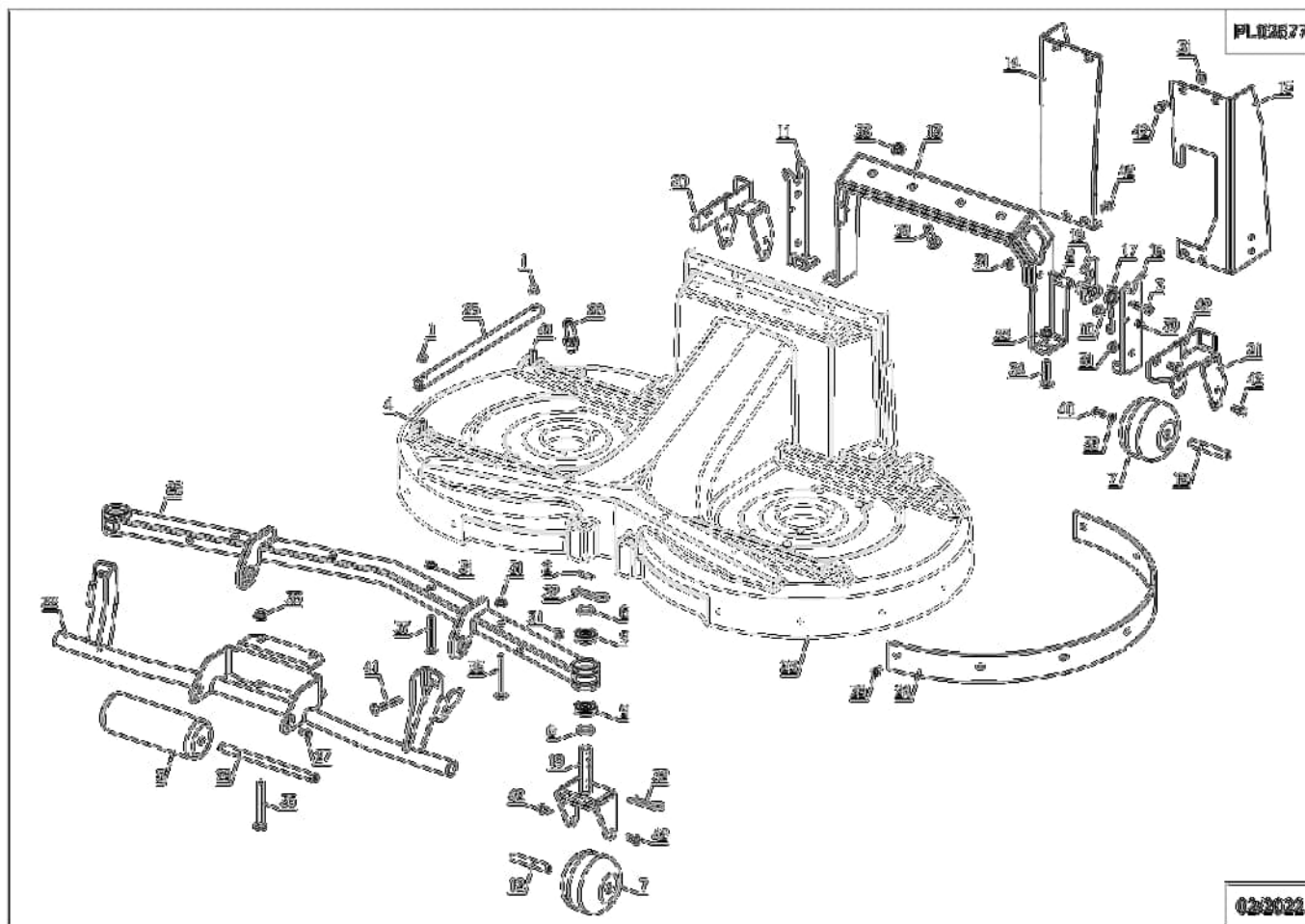


Number	Part Number	Name	Quantity
1	5043	NUT	1,000
2	20552	COTTER PIN V 5X32	1,000
3	21687	HEXAGON SCREW,DIN 9	1,000
4	22031	SCREW 8X55	1,000
5	25015	FRONT ROLLER	1,000
6	25348	WASHER	1,000
7	29004	ANTI SCALP ROLLER	1,000
8	29028	HOOK SHAFT	1,000
9	29073	BEARING DIA.20	1,000
10	29137	WATER HOSE 30	1,000
11	29213	R.H EXT.CUT.HEIGHT	1,000
12	29219	ANTI-SCALP ROL.SHAF	1,000
13	29223	REAR CUT.HEIGHT FAS	1,000
14	29418	CUT.DEC.OUTPUT PLAT	1,000
15	29419	CUT.DEC.OUTPUT PLAT	1,000
16	29537	FASTENER EXT.RH CUT	1,000
17	29544	TORSION SPRING	1,000
18	29611	CUTTING H.HOOK	1,000
19	29802	ANTI-SCALP ROL.FORK	1,000
20	30393	RH ROLLER BRACKET	1,000
21	30394	LH ROLLER BRACKET	1,000
22	30401	ROLLER BRACKET	1,000
23	38735	CUT.DECK H124DS/DL	1,000
24	30694	DECK PROTECTION	1,000
25	30696	TUBE	1,000
26	30699	ANTISCALP ROL.BRAC.	1,000
27	37997	SCREW HM6-16 8.8	1,000
28	53091	CORNER WATER PLUG	1,000
29	53095	AXLE	1,000
30	71201	NUT M6	1,000
31	71205	SCREW M8	1,000
32	71228	BETA PIN 4	1,000
33	71249	SCREW M10	1,000
34	71263	SCREW M10X50	1,000
35	71264	SCREW M10X100	1,000
36	71297	SCREW M8X90 8,8	1,000
37	71332	SCREW M8X75 8.8	1,000
38	71343	SPRING WASHER A8	1,000
39	71361	SCREW RL X M6X16	1,000
40	71373	SCREW M8X20	1,000
41	71382	SCREW M8X65	1,000

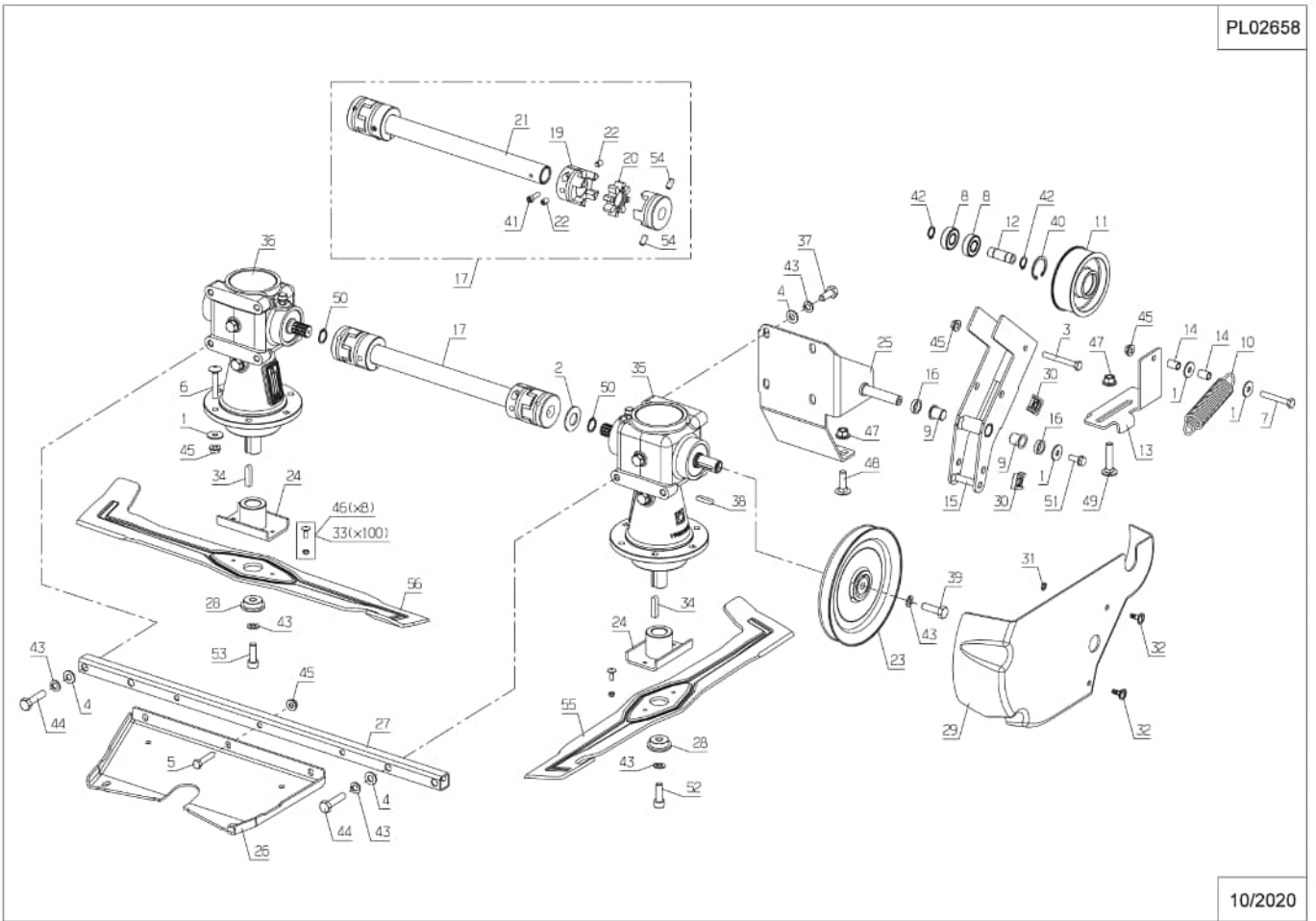
Number	Part Number	Name	Quantity
42	71413	SCREW HM 8-20	1,000



Number	Part Number	Name	Quantity
1	7035	FLAT WASHER	1,000
2	7330	WASHER	1,000
3	20633	HEX.SCREW 8X65	1,000
4	21036	FLAT WASHER 10.5	1,000
5	21114	BOLT 8X40	1,000
6	21513	BOLT M8X50	1,000
7	21687	HEXAGON SCREW,DIN 9	1,000
8	25112	BALL BEARING,6202 S	1,000
9	28070	SLEEVE 15/17/20	1,000
10	29045	TENSION SPRING	1,000
11	29115	TENSIONNER PULLEY	1,000
12	29116	TENSION PULLEY SHAF	1,000
13	29119	TENS.SPRING BRACKET	1,000
14	29123	TENSIONNER SPACER	1,000
15	29533	TENSIONNER ARM	1,000
16	29745	ADJUSTMENT BUSH	1,000
17	29972	ELASTIC COUPLING CP	1,000
18	29988	SPLINE BORE HUB	1,000
19	29989	HUB	1,000
20	29990	RING 64 SHORES	1,000
21	29991	TUBE ZR 30X4	1,000
22	29992	PRESS. SCREW8X12	1,000
23	30408	PULLEY D.155/D.195	1,000
24	30442	BLADE COUP. D.25 MM	1,000
25	30444	BRACKET MOBILE TENS	1,000
26	30447	CUT.DECK REINF.PLAT	1,000
27	30448	CORNER GEAR FIX.BAR	1,000
28	30898	BLADE FIX.WASHER	1,000
29	37488	MOB.ELEM.PROTECTION	1,000
30	37499	1/4 ROTATION LOCK	1,000
31	37500	1/4 ROTATION WASHER	1,000
32	37501	1/4 ROTATION SCREW	1,000
33	26357	100 SHEAR BOLTS	1,000
34	38031	KEY C 8X7X35	1,000
35	54222	CORNER GEAR LEFT	1,000
36	54223	CORNER GEAR RIGHT	1,000
37	70086	HEXAGON SCREW,DIN 9	1,000
38	71006	A-SHAPE KEY,DIN 688	1,000
39	71031	LH HEXAG.SCREW,DIN	1,000
40	71039	CIRCLIP,DIN 427 35X	1,000
41	71044	CAP SCREW,DIN 912-8	1,000

Number	Part Number	Name	Quantity
42	71047	CIRCLIP DIN 471 15X	1,000
43	71052	SPRING WASHER,DIN 1	1,000
44	71198	HEX.SCREW HM10X45	1,000
45	71205	SCREW M8	1,000
46	26157	SET OF 8 SHEARBOLTS	1,000
47	71249	SCREW M10	1,000
48	71251	SCREW M10X35	1,000
49	71263	SCREW M10X50	1,000
50	71265	CIRCLIP 19	1,000
51	71413	SCREW HM 8-20	1,000
52	71414	SCREW M10X30,10	1,000
53	71415	SCREW M10-30 L.	1,000
54	71420	IN.HEX SCREW M8X16	1,000
55	MZ124L	LEFT BLADE	1,000
56	MZ124R	RIGHT BLADE	1,000

PL02658

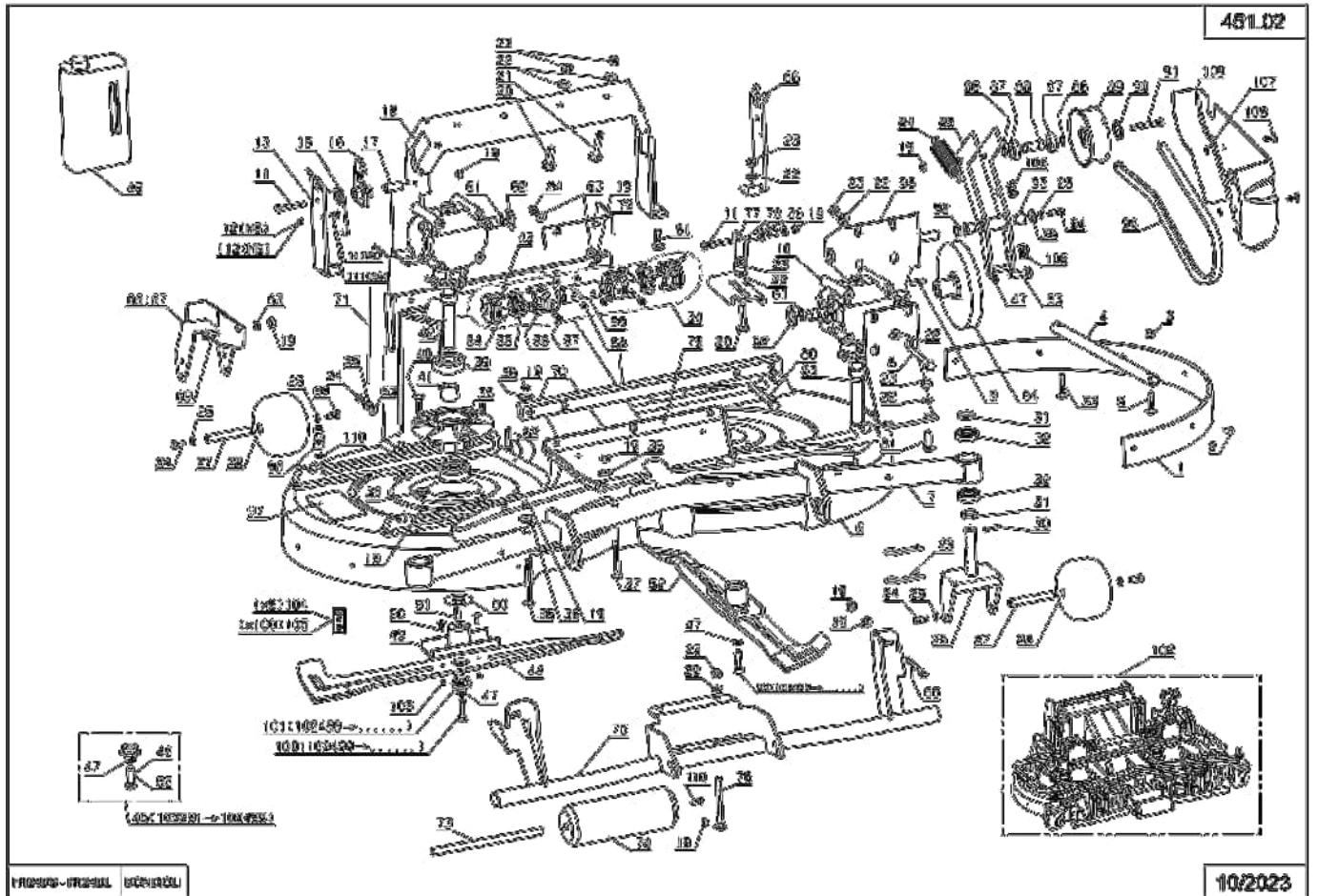


10/2020

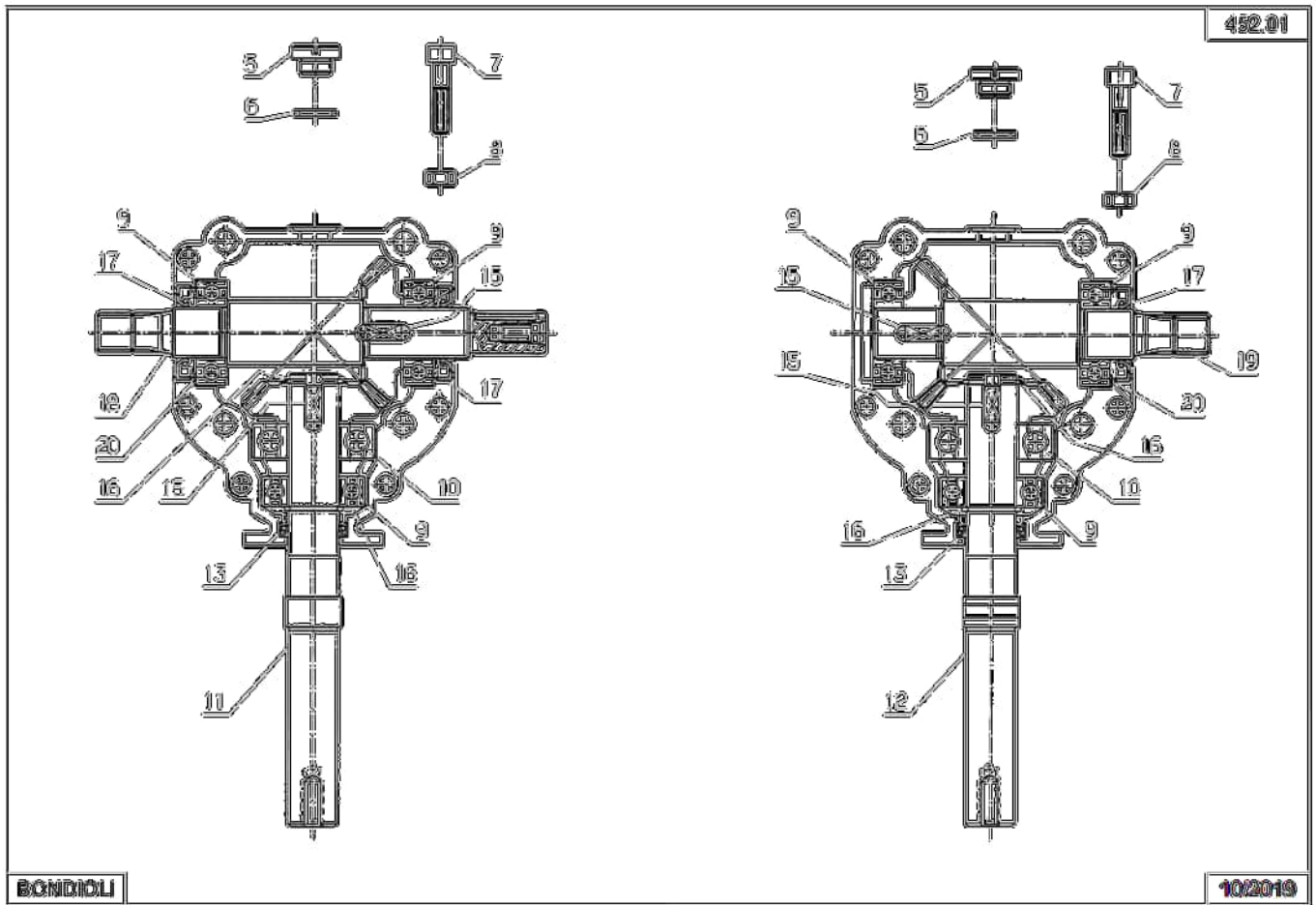
Number	Part Number	Name	Quantity
1	30694	DECK PROTECTION	1,000
2	71361	SCREW RL X M6X16	1,000
3	5043	NUT	1,000
4	30696	TUBE	1,000
5	22031	SCREW 8X55	1,000
6	38735	CUT.DECK H124DS/DL	1,000
7	30699	ANTISCALP ROL.BRAC.	1,000
8	71356	HEX.SCREW M10X130	1,000
9	71006	A-SHAPE KEY,DIN 688	1,000
10	30440	-> 54222	1,000
11	21687	HEXAGON SCREW,DIN 9	1,000
12	37561	NUT	1,000
13	29213	R.H EXT.CUT.HEIGHT	1,000
14	24154	THREADED SHAFT	1,000
15	29544	TORSION SPRING	1,000
16	29611	CUTTING H.HOOK	1,000
17	29028	HOOK SHAFT	1,000
18	29223	REAR CUT.HEIGHT FAS	1,000
19	71205	SCREW M8	1,000
20	71263	SCREW M10X50	1,000
21	71262	SCREW M10X65	1,000
22	21036	FLAT WASHER 10.5	1,000
23	9017	NUT HM10	1,000
24	71413	SCREW HM 8-20	1,000
25	71343	SPRING WASHER A8	1,000
26	29802	ANTI-SCALP ROL.FORK	1,000
27	29219	ANTI-SCALP ROL.SHAF	1,000
28	29004	ANTI SCALP ROLLER	1,000
29	71228	BETA PIN 4	1,000
30	20552	COTTER PIN V 5X32	1,000
31	25348	WASHER	1,000
32	29073	BEARING DIA.20	1,000
33	71382	SCREW M8X65	1,000
34	29972	ELASTIC COUPLING CP	1,000
35	71297	SCREW M8X90 8,8	1,000
36	7035	FLAT WASHER	1,000
37	71332	SCREW M8X75 8.8	1,000
38	28171	BLADE BEARING	1,000
39	21553	BEARING 6305-2RS	1,000
40	20520	BOLT 8X45	1,000
41	28020	BLADE BEARING SPACR	1,000

Number	Part Number	Name	Quantity
42	30441	-> 54223	1,000
43	71420	IN.HEX SCREW M8X16	1,000
44	MZ124R	RIGHT BLADE	1,000
45	29590	ANGLEGEAR OILCAN 1L	1,000
46	29650	BLADE FIXING KIT	1,000
47	71052	SPRING WASHER,DIN 1	1,000
48	71242	HEX.SCREW HM10X35	1,000
49	30442	BLADE COUP. D.25 MM	1,000
50	71231	SCREW JM5-16	1,000
51	71451	KEY 8X7X25 C	1,000
52	MZ124L	LEFT BLADE	1,000
53	71031	LH HEXAG.SCREW,DIN	1,000
54	29988	SPLINE BORE HUB	1,000
55	29990	RING 64 SHORES	1,000
56	29989	HUB	1,000
57	71044	CAP SCREW,DIN 912-8	1,000
58	29992	PRESS. SCREW8X12	1,000
59	29991	TUBE ZR 30X4	1,000
60	28530	PROTECTION WASHER	1,000
61	71265	CIRCLIP 19	1,000
62	7330	WASHER	1,000
63	7335	WASHER	1,000
64	30408	PULLEY D.155/D.195	1,000
65	71068	HEXAGON SCREW,DIN 9	1,000
66	30393	RH ROLLER BRACKET	1,000
67	30394	LH ROLLER BRACKET	1,000
68	29537	FASTENER EXT.RH CUT	1,000
69	71373	SCREW M8X20	1,000
70	30448	CORNER GEAR FIX.BAR	1,000
71	29418	CUT.DEC.OUTPUT PLAT	1,000
72	29419	CUT.DEC.OUTPUT PLAT	1,000
73	53095	AXLE	1,000
74	25015	FRONT ROLLER	1,000
75	30401	ROLLER BRACKET	1,000
76	71264	SCREW M10X100	1,000
77	29119	TENS.SPRING BRACKET	1,000
78	29123	TENSIONNER SPACER	1,000
79	30447	CUT.DECK REINF.PLAT	1,000
80	71450	SCREW H M10-150	1,000
81	71251	SCREW M10X35	1,000
82	21114	BOLT 8X40	1,000

Number	Part Number	Name	Quantity
83	30446	CORNER GEAR BRACKET	1,000
84	29045	TENSION SPRING	1,000
85	29533	TENSIONNER ARM	1,000
86	71047	CIRCLIP DIN 471 15X	1,000
87	25112	BALL BEARING,6202 S	1,000
88	29116	TENSION PULLEY SHAF	1,000
89	29115	TENSIONNER PULLEY	1,000
90	71039	CIRCLIP,DIN 427 35X	1,000
91	20633	HEX.SCREW 8X65	1,000
92	29745	ADJUSTMENT BUSH	1,000
93	28070	SLEEVE 15/17/20	1,000
94	6169	SCREW HM8X16	1,000
95	30444	BRACKET MOBILE TENS	1,000
96	53091	CORNER WATER PLUG	1,000
97	13062	STICKER CUT-DECK	1,000
98	30409	BELT 1930 MM	1,000
99	71414	SCREW M10X30,10	1,000
100	71415	SCREW M10-30 L.	1,000
101	30898	BLADE FIX.WASHER	1,000
102	30867	CUT.DECK H124DS CPL	1,000
104	26157	SET OF 8 SHEARBOLTS	1,000
105	26357	100 SHEAR BOLTS	1,000
106	37499	1/4 ROTATION LOCK	1,000
107	37500	1/4 ROTATION WASHER	1,000
108	37501	1/4 ROTATION SCREW	1,000
109	37488	MOB.ELEM.PROTECTION	1,000
110	37997	SCREW HM6-16 8.8	1,000
111	28137	CATCH BOLT SP.SCREW	1,000
112	71201	NUT M6	1,000



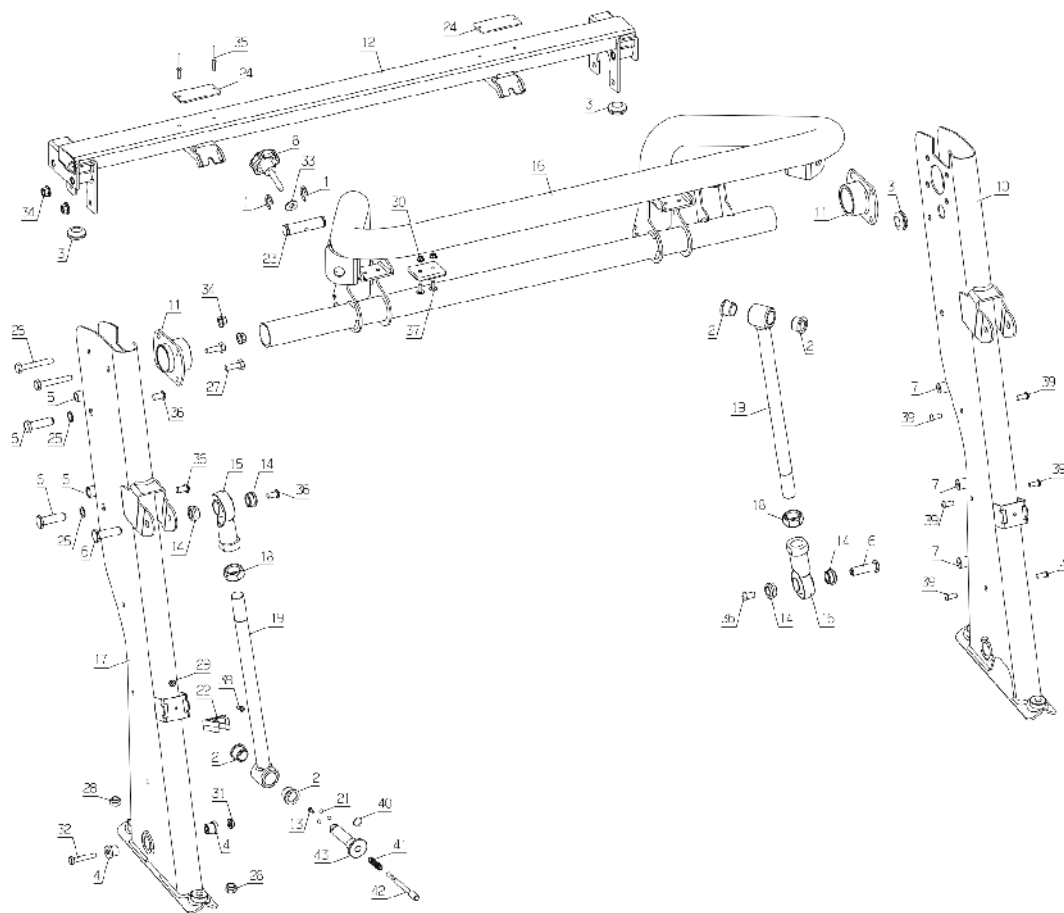
Number	Part Number	Name	Quantity
5	30622	OIL DRAIN PLUG	1,000
6	30613	OIL DR. PLUG GASKET	1,000
7	30614	SCREW	1,000
8	30615	NUT	1,000
9	34079	BEARING	1,000
10	34076	BEARING	1,000
11	30611	T OUT PUT SHAFT	1,000
12	30612	OUTPUT SHAFT	1,000
13	30620	LIP SEAL	1,000
15	30621	KEY	1,000
16	30616	CIRCLIP	1,000
17	30619	LIP SEAL	1,000
18	30610	T INPUT SHAFT	1,000
19	30609	L INPUT SHAFT	1,000
20	30623	SHIM	1,000



Number	Part Number	Name	Quantity
1	1513	CIRCLIP 15	1,000
2	25416	SLEEVE PA 66 26/20X	1,000
3	25804	RUBBER FUNNEL 28	1,000
4	29336	UP.LOCH RAM SHAFT	1,000
5	29350	G.BOX CRANE SPACER	1,000
6	29770	CRANE ARM SHAFT	1,000
7	31219	HIGH LIFT BEAM AXLE	1,000
8	36960	GRIP	1,000
9	38466	RING M10	1,000
10	50360	CRANE ARM LEFT CPLT	1,000
11	50361	PIVOT	1,000
12	50367	TUBE	1,000
13	38130	SCREW M4X12,4.6	1,000
14	50374	UNTERLEGSSCHEIBE	1,000
15	50375	LINK BALL DIAM 25	1,000
16	52974	ROPS PROTECTION BAR	1,000
17	50410	ARM BRACK.RIGHT CPL	1,000
18	51296	NUT HM24.8	1,000
19	52425	REINF. BAR ROPS	1,000
20	52453	RUBBER STOP	1,000
21	52801	BALL DIA. 7.15	1,000
22	52493	CLIP 22-24	1,000
23	52500	AXLE	1,000
24	52528	PLATE	1,000
25	71016	WASHER 16X22X1	1,000
26	71032	KAWA SCREW H M10X75	1,000
27	71110	HEXAGON SCREW,DIN 9	1,000
28	71157	NUT AUTOFR.HM12	1,000
29	71200	SCREW M5	1,000
30	71201	NUT M6	1,000
31	71205	SCREW M8	1,000
32	71223	SCREW M8X50	1,000
33	71238	WASHER A10,2	1,000
34	71249	SCREW M10	1,000
35	71327	NAIL RIVET 4X21	1,000
36	71354	SCREW B HC M10X20	1,000
37	71361	SCREW RL X M6X16	1,000
38	71370	HEX.SCREW M5X16	1,000
39	71373	SCREW M8X20	1,000
40	28762	GASKET 10,77 X 2,6	1,000
41	52811	SPRING	1,000

Number	Part Number	Name	Quantity
42	52800	PIN AXLE	1,000
43	52799	PIN	1,000

PL02302

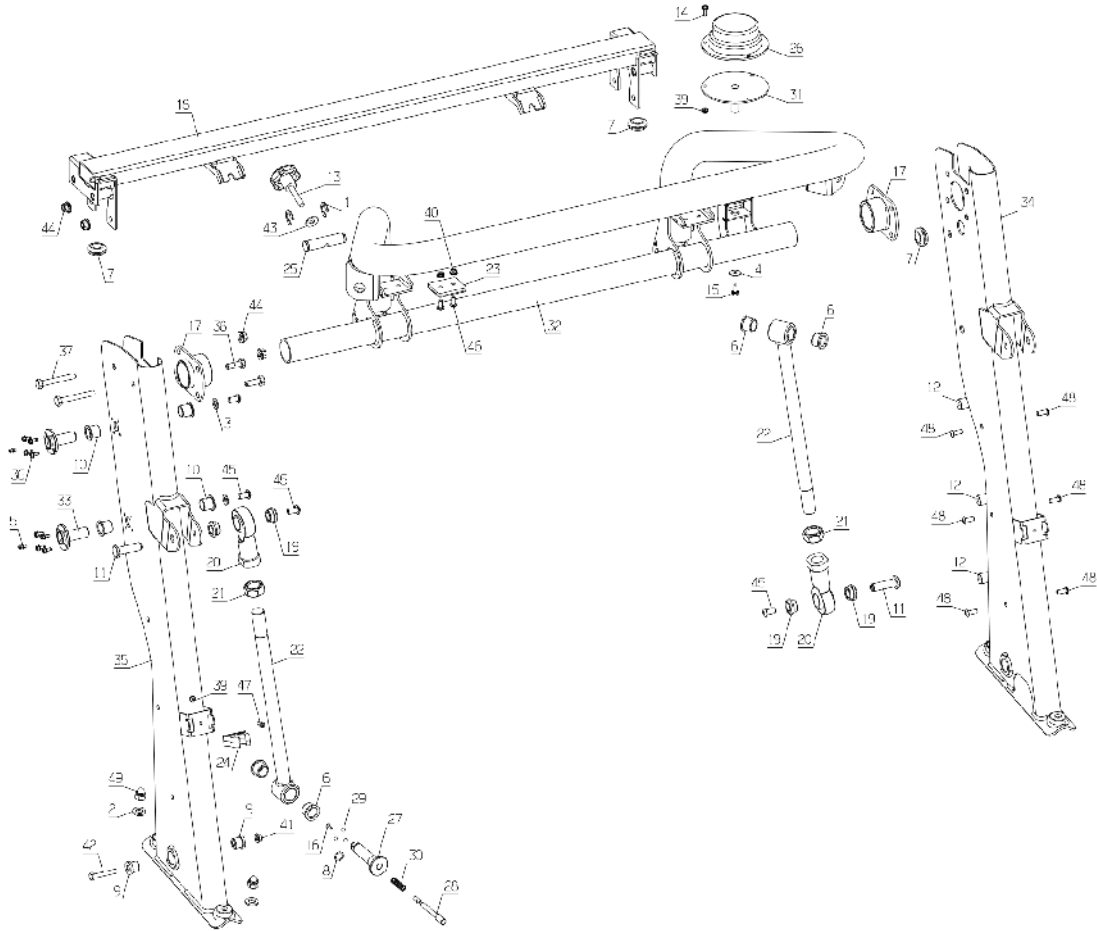


03/2018

Number	Part Number	Name	Quantity
1	1513	CIRCLIP 15	1,000
2	1560	FLAT WASHER 13X25X3	1,000
3	21036	FLAT WASHER 10.5	1,000
4	22029	FLAT WASHER 6,5	1,000
5	25301	RH STD "HYDRAULIC"	1,000
6	25416	SLEEVE PA 66 26/20X	1,000
7	25804	RUBBER FUNNEL 28	1,000
8	28762	GASKET 10,77 X 2,6	1,000
9	29336	UP.LOCH RAM SHAFT	1,000
10	29427	SLEEVE 20/23/21	1,000
11	29770	CRANE ARM SHAFT	1,000
12	31219	HIGH LIFT BEAM AXLE	1,000
13	36960	GRIP	1,000
14	37996	SCREW HM5-16 8.8	1,000
15	37997	SCREW HM6-16 8.8	1,000
16	38130	SCREW M4X12,4.6	1,000
17	50361	PIVOT	1,000
18	50367	TUBE	1,000
19	50374	UNTERLEGSSCHEIBE	1,000
20	50375	LINK BALL DIAM 25	1,000
21	51296	NUT HM24.8	1,000
22	52425	REINF. BAR ROPS	1,000
23	52453	RUBBER STOP	1,000
24	52493	CLIP 22-24	1,000
25	52500	AXLE	1,000
26	52664	-> 55276	1,000
27	52799	PIN	1,000
28	52800	PIN AXLE	1,000
29	52801	BALL DIA. 7.15	1,000
30	52811	SPRING	1,000
31	52889	LIGHT SUPPORT LED	1,000
32	52974	ROPS PROTECTION BAR	1,000
33	53198	BEAM ARM SHAFT	1,000
34	53200	BEAM ARM LEFT	1,000
35	53202	BEAM ARM RIGHT	1,000
36	53240	SCREW HM6 12,8,8 AF	1,000
37	71032	KAWA SCREW H M10X75	1,000
38	71110	HEXAGON SCREW,DIN 9	1,000
39	71200	SCREW M5	1,000
40	71201	NUT M6	1,000
41	71205	SCREW M8	1,000

Number	Part Number	Name	Quantity
42	71223	SCREW M8X50	1,000
43	71238	WASHER A10,2	1,000
44	71249	SCREW M10	1,000
45	71354	SCREW B HC M10X20	1,000
46	71361	SCREW RL X M6X16	1,000
47	71370	HEX.SCREW M5X16	1,000
48	71373	SCREW M8X20	1,000
49	71375	CAP NUT M12	1,000

PL02511



05/2018

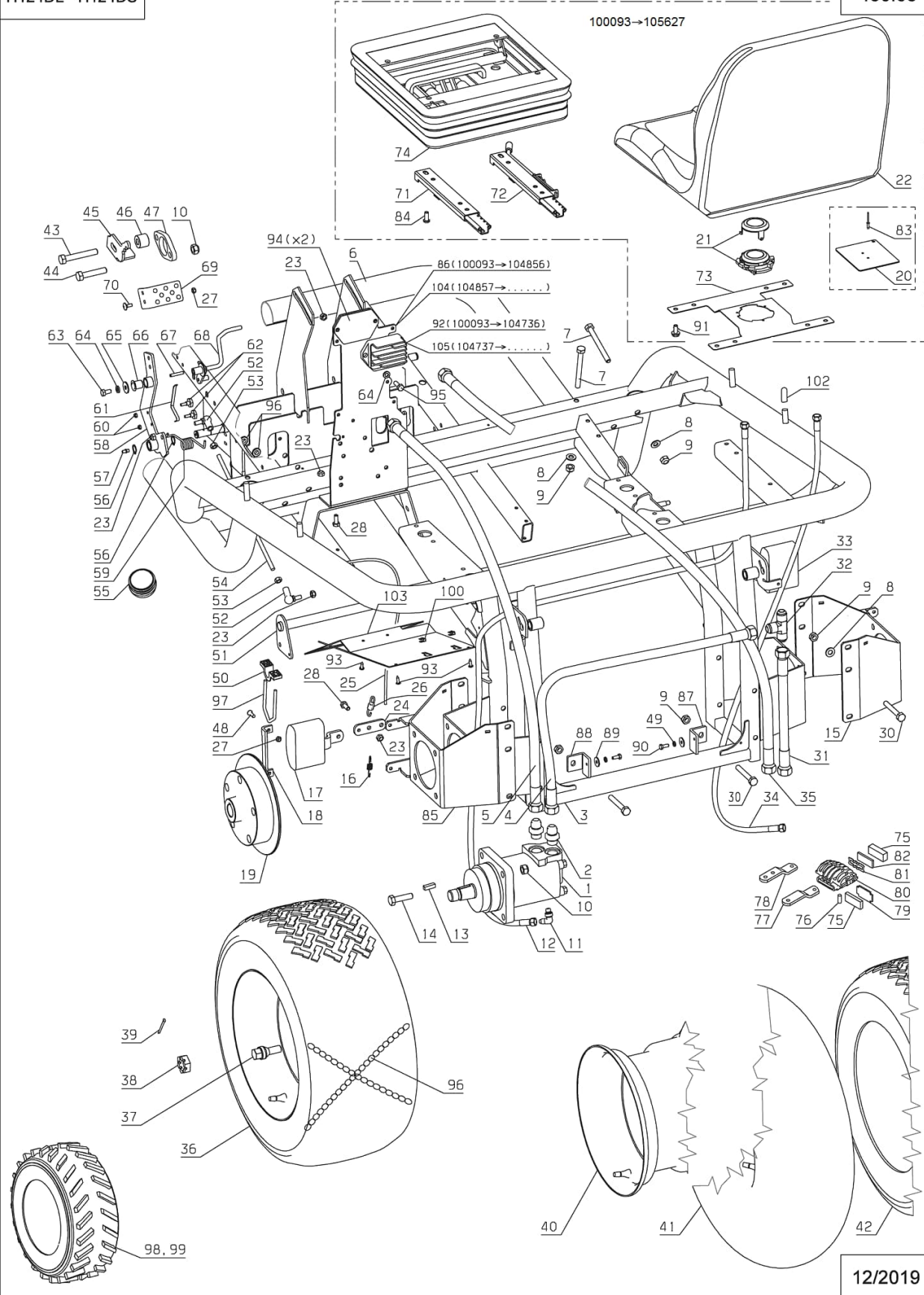
Number	Part Number	Name	Quantity
1	29302	SLOW WHEEL ENGINE	1,000
2	29451	ADAPTER AJM	1,000
3	52491	REAR FRAME 124	1,000
4	29311	T HOSE ENGINE/MOT	1,000
5	29306	FLOW DIV>MOTOR HOSE	1,000
6	29819	FRONT WELDED FRAME	1,000
7	71289	H.SCREW M10X100 8,8	1,000
8	21036	FLAT WASHER 10.5	1,000
9	9017	NUT HM10	1,000
10	71157	NUT AUTOFR.HM12	1,000
11	29453	ADAPTER CJM	1,000
12	29313	MOTOR DRAIN HOSE LH	1,000
13	29840	WHEEL ENGINE KEY	1,000
14	71290	H.SCREW M12X45 8,8	1,000
15	30222	R.WHEEL MOT.EXT.PLT	1,000
16	29144	BACK SPRING 1	1,000
17	29170	LH CALIPER	1,000
18	29536	BRAKE CALIPER STOP	1,000
19	30298	WHEEL HUB 04	1,000
20	30689	USER DETECT.PLATE	1,000
21	30690	SEAT SWITCH	1,000
22	30691	SEAT	1,000
23	71205	SCREW M8	1,000
24	37948	BRAKE EXTENSION	1,000
25	29687	BRAKE CABLE	1,000
26	29225	BRAKE SPRING	1,000
27	71201	NUT M6	1,000
28	71413	SCREW HM 8-20	1,000
30	71032	KAWA SCREW H M10X75	1,000
31	29310	T HOSE ENGINE/MOT	1,000
32	29470	ADAPTER HJM	1,000
33	29145	RH CALIPER	1,000
34	29312	MOTOR DRAIN HOSE RH	1,000
35	29305	HOSE FLOW DIV/ENGIN	1,000
36	35714	REAR WHEEL CPLT 23"	1,000
37	32152	WHEEL FITTING SCREW	1,000
38	29839	WHEEL ENGINE NUT	1,000
39	71345	SPLIT PIN 4-45	1,000
40	35715	REAR RIM GREY 23"	1,000
41	29627	REAR INNER TUBE	1,000
42	29481	REAR TYRE	1,000

Number	Part Number	Name	Quantity
43	71134	HEX.SCREW M12X80	1,000
44	71291	H.SCREW M12X60 8,8	1,000
45	29734	BRAKE FAST.HOOK	1,000
46	29735	BLOCKING SPACER	1,000
47	29063	BEARING FRONT POWER	1,000
48	71381	SCREW FHC/90 M6-20	1,000
49	71049	SPRING WASHER,DIN 1	1,000
50	30404	STRAP + NOTCH	1,000
51	29814	BRAKE DRIVE	1,000
52	28234	KNUCKLE M8	1,000
53	2020	NUT HM8	1,000
54	29715	BRAKE ROD	1,000
55	28056	TUBE CAP 60	1,000
56	71019	CIRCLIP 16X1	1,000
57	25301	RH STD "HYDRAULIC"	1,000
58	29813	BRAKE LINKAGE	1,000
59	29215	TORSION SPRING	1,000
60	37561	NUT	1,000
61	29214	SPERRFEDER	1,000
62	29176	BOLT	1,000
63	6169	SCREW HM8X16	1,000
64	71343	SPRING WASHER A8	1,000
65	7035	FLAT WASHER	1,000
66	28070	SLEEVE 15/17/20	1,000
67	20552	COTTER PIN V 5X32	1,000
68	29581	STEP ARM	1,000
69	29862	BRAKE PEDAL	1,000
70	21608	SCREW 6X16 DIN	1,000
71	30714	SEAT GUIDE LEFT	1,000
72	37079	SEAT GUIDE RIGHT	1,000
73	30718	SWITCH PLATE	1,000
74	32111	SEAT SUSPENSION	1,000
75	29851	BRAKE PAD KIT	1,000
76	29858	PIN	1,000
77	29852	CAM	1,000
78	29853	CAM	1,000
79	29854	PAD SUPPORT	1,000
80	29857	-> 29145 OR 29170	1,000
81	29856	STOP SPRING	1,000
82	29855	PAD SUPPORT	1,000
83	71139	RIVET ALU TF 4X11	1,000

Number	Part Number	Name	Quantity
84	71373	SCREW M8X20	1,000
85	30223	L.WHEEL MOT.EXT.PLT	1,000
86	30147	DISTR.2000 BRACKET	1,000
87	30410	REINFORCING PLATE R	1,000
88	30411	REINFORCING PLATE L	1,000
89	22029	FLAT WASHER 6,5	1,000
90	37997	SCREW HM6-16 8.8	1,000
92	29872	KIT REGULATOR	1,000
93	71111	TAPPING SCREW,DIN 7	1,000
94	30146	REGULATOR PLATE	1,000
95	35433	SCREW M8-30,8.8	1,000
96	29549	RUBBER GROMMET 14	1,000
97	30405	FLANGE STRAP	1,000
98	30060	AGRARIAN TYRE H124D	1,000
99	MA124	AGRARIAN WHEELS	1,000
100	21436	CLIPS NUT	1,000
102	42628	RUBBER PROTECTION	1,000
103	30225	MUDGUARD H124D	1,000
104	51973	DISTRIB.BRACKET KIT	1,000
105	52041	REGULATOR	1,000

H124DL - H124DS

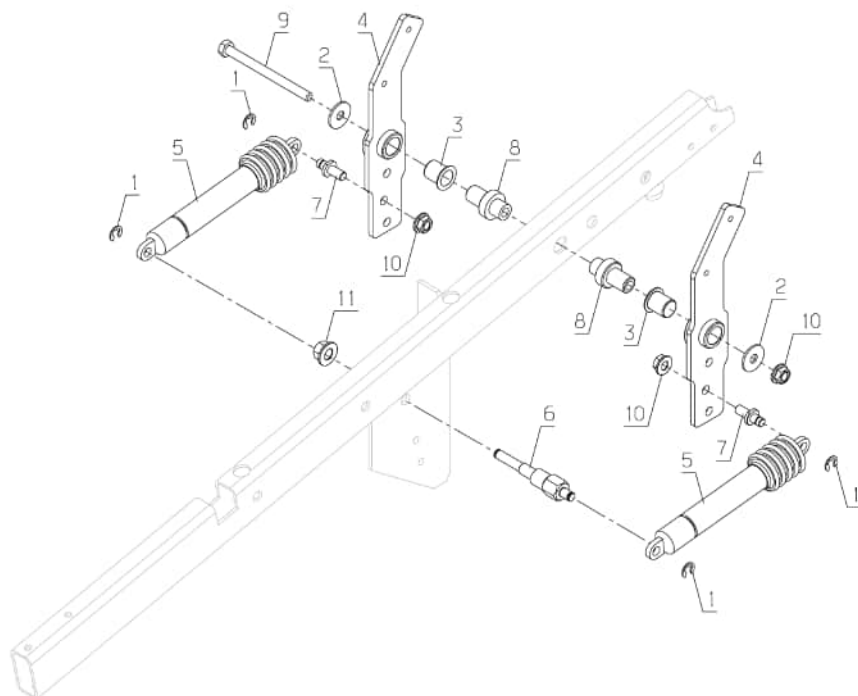
430.03



12/2019

Number	Part Number	Name	Quantity
1	5602	ANNEAU TRUARC	1,000
2	7035	FLAT WASHER	1,000
3	28070	SLEEVE 15/17/20	1,000
4	29913	PEDAL PLATE	1,000
5	51277	DAMPER	1,000
6	51849	AXLE	1,000
7	51888	AXLE	1,000
8	53408	PEDALE SHAFT	1,000
9	71124	HEXAG.SCREW HM8X100	1,000
10	71205	SCREW M8	1,000
11	71249	SCREW M10	1,000

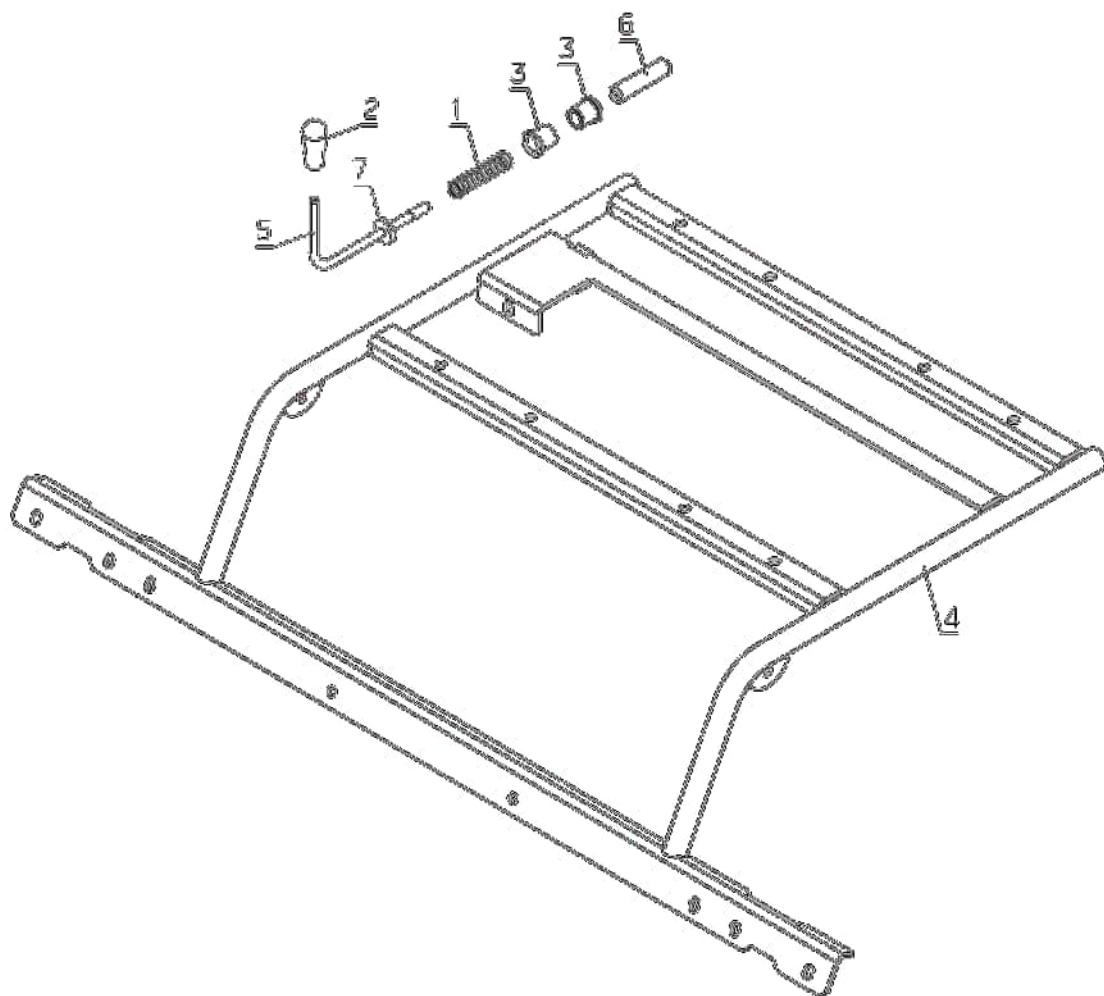
PL02688



06/2022

Number	Part Number	Name	Quantity
1	24609	SPRING	1,000
2	27131	DISTRIB. LEVER HAND	1,000
3	37059	BUSH JFM 141822-20	1,000
4	-	-	1,000
7	71126	FLAT WASHER,DIN 734	1,000

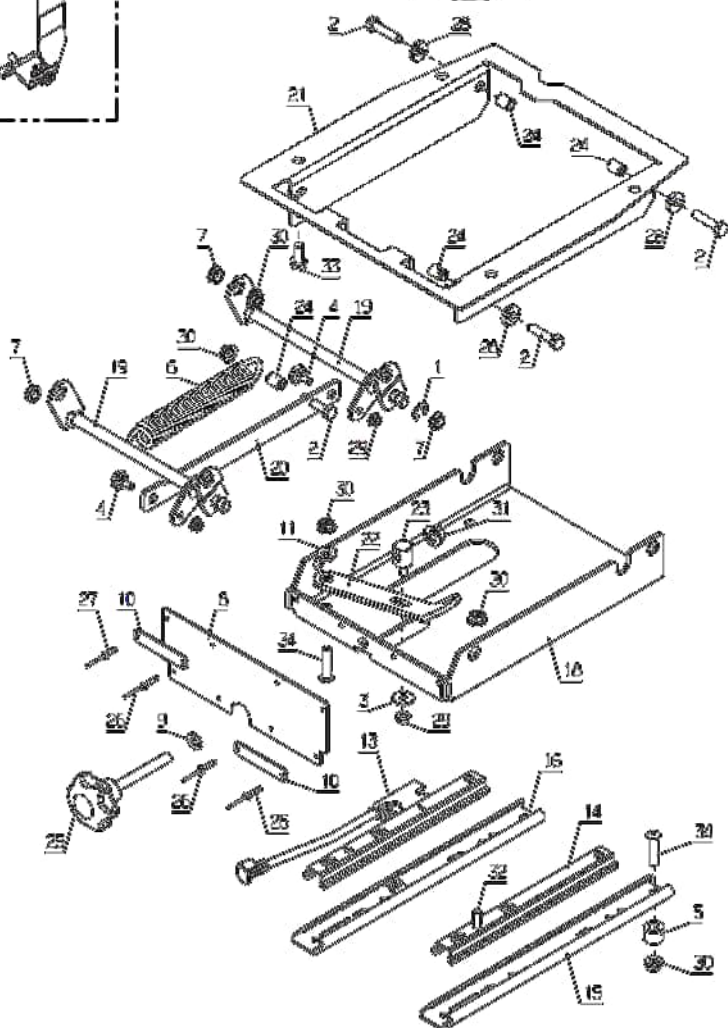
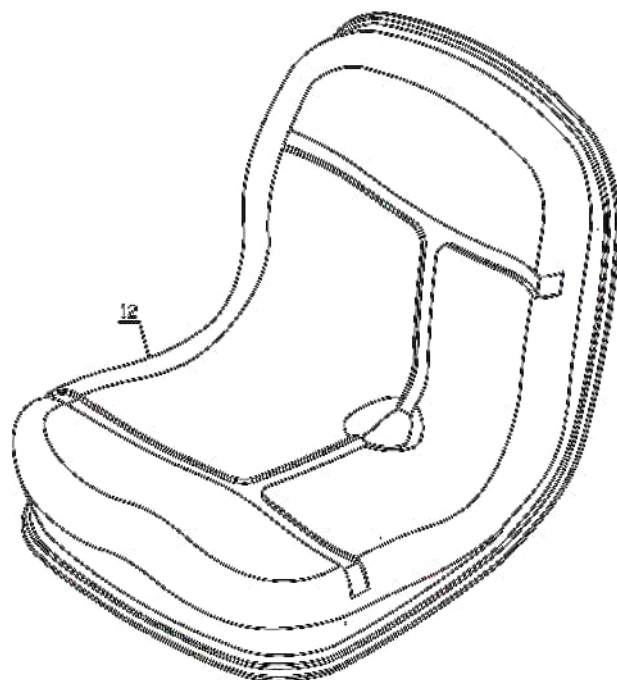
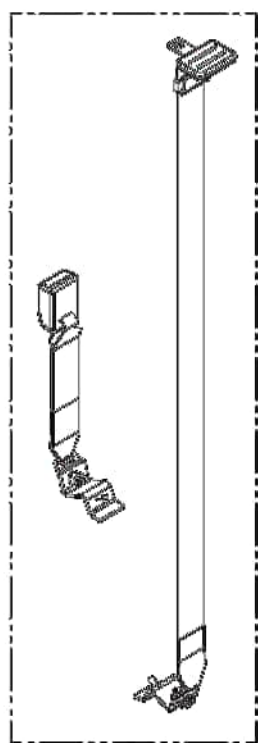
PL02686



06/2022

Number	Part Number	Name	Quantity
1	1559	RING TRUARC 10	1,000
2	7038	SCREW,DIN933 H M 8X	1,000
3	22029	FLAT WASHER 6,5	1,000
4	28137	CATCH BOLT SP.SCREW	1,000
5	28296	SPACER	1,000
6	36238	SEAT SPRING	1,000
7	36270	BEARING	1,000
8	36435	PROTECTION	1,000
9	37023	WASHER 1018-020	1,000
10	37031	PLATE	1,000
11	42530	CUT.HEIGHT SPACER	1,000
12	53395	SEAT COBO GT75	1,000
13	53396	UPPER SEAT GUIDE	1,000
14	53397	UPPER SEAT GUIDE	1,000
15	53398	LOWER SEAT GUIDE	1,000
16	53399	LOWER SEAT GUIDE	1,000
17	53888	SAFETY BELT	1,000
18	54242	LOW.PLATE	1,000
19	54248	SUSPENSION ARM	1,000
20	54249	LINKING ROD	1,000
21	54250	UP.PLATE	1,000
22	54251	TENSIONNER	1,000
23	54252	LEVER AXLE	1,000
24	54253	SPACER	1,000
25	54259	ADJUST KNOB	1,000
26	71112	DIA.4X18 STAR RIVET	1,000
27	71113	NAIL RIVET, DIA. 4X	1,000
28	71126	FLAT WASHER,DIN 734	1,000
29	71201	NUT M6	1,000
30	71205	SCREW M8	1,000
31	71249	SCREW M10	1,000
32	71373	SCREW M8X20	1,000
33	71413	SCREW HM 8-20	1,000
34	71438	SCREW B HC M8X35	1,000

PL02885

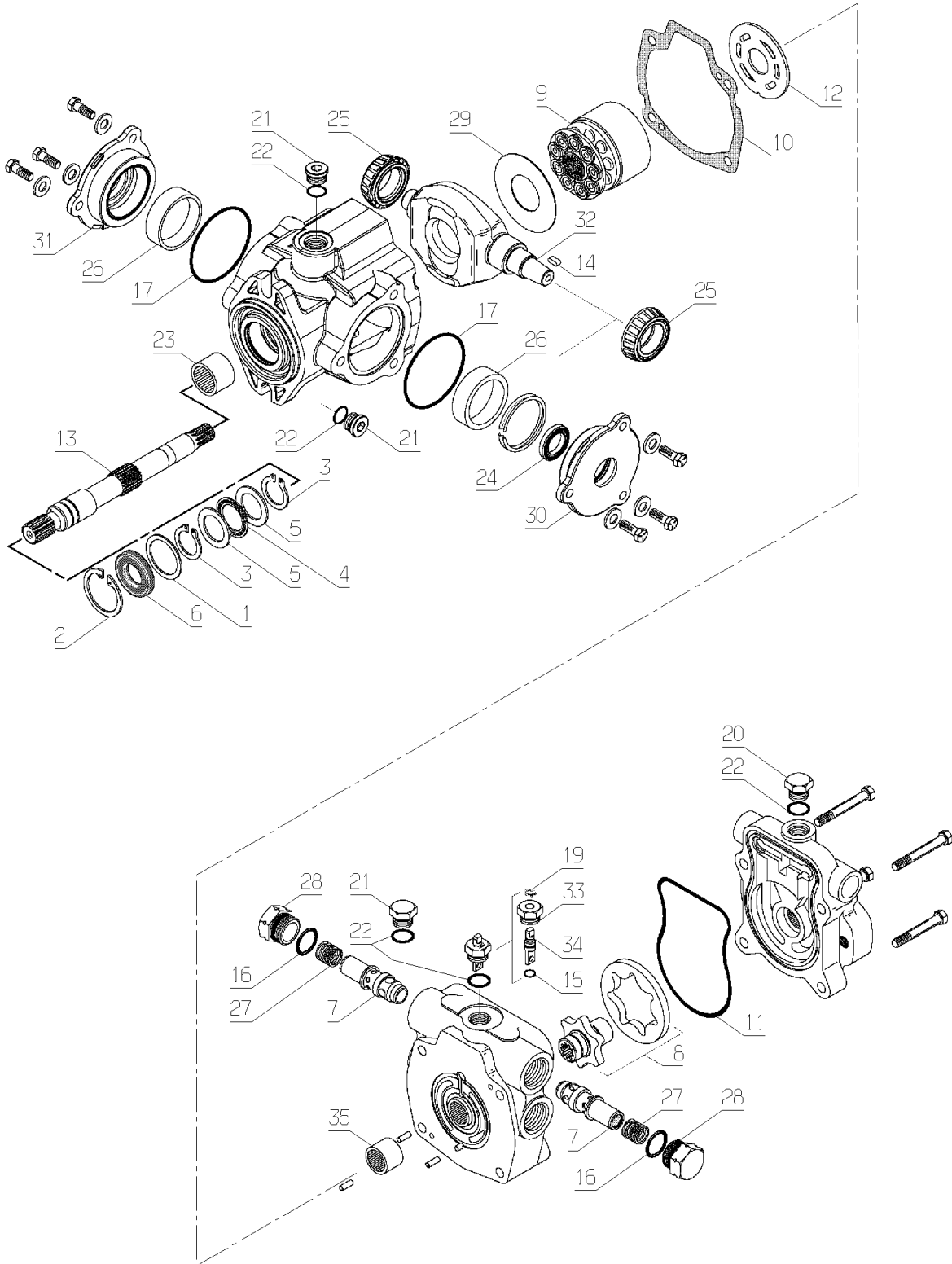


05/2022

Number	Part Number	Name	Quantity
1	29881	WASHER	1,000
2	29882	CIRCLIP	1,000
3	29883	CIRCLIP	1,000
4	29884	STUDED STOP	1,000
5	29885	STUDED STOP WASHER	1,000
6	29886	SHAFT WASHER	1,000
7	29887	PRESS.RELIEF VALVE	1,000
8	29888	BOOSTER PUMP	1,000
9	29889	CYLINDER BLOCK	1,000
10	29890	PUMP GASKET	1,000
11	29891	O-RING	1,000
12	29892	DISTRIBUTOR VALVE	1,000
13	29893	PUMP INPUT SHAFT	1,000
14	30549	KEY	1,000
15	30674	O-RING	1,000
16	30673	O-RING	1,000
17	30672	O-RING	1,000
19	30671	CIRCLIP	1,000
20	30670	CAP	1,000
21	30669	CAP	1,000
22	30668	O-RING	1,000
23	30667	NEEDLE BEARING	1,000
24	29895	DRIVE SHAFT GASKET	1,000
25	30666	CONIC.NEEDL.BEARING	1,000
26	30665	SPACER	1,000
27	30663	SPRING	1,000
28	30662	CAP	1,000
29	30661	WASHER	1,000
30	30660	UPPER COVER	1,000
31	30659	LOWER COVER	1,000
32	30658	CAM PLATE	1,000
33	30657	CAP	1,000
34	30578	SEPARATOR	1,000
35	30577	NEEDLE BEARING	1,000

30019

509.02

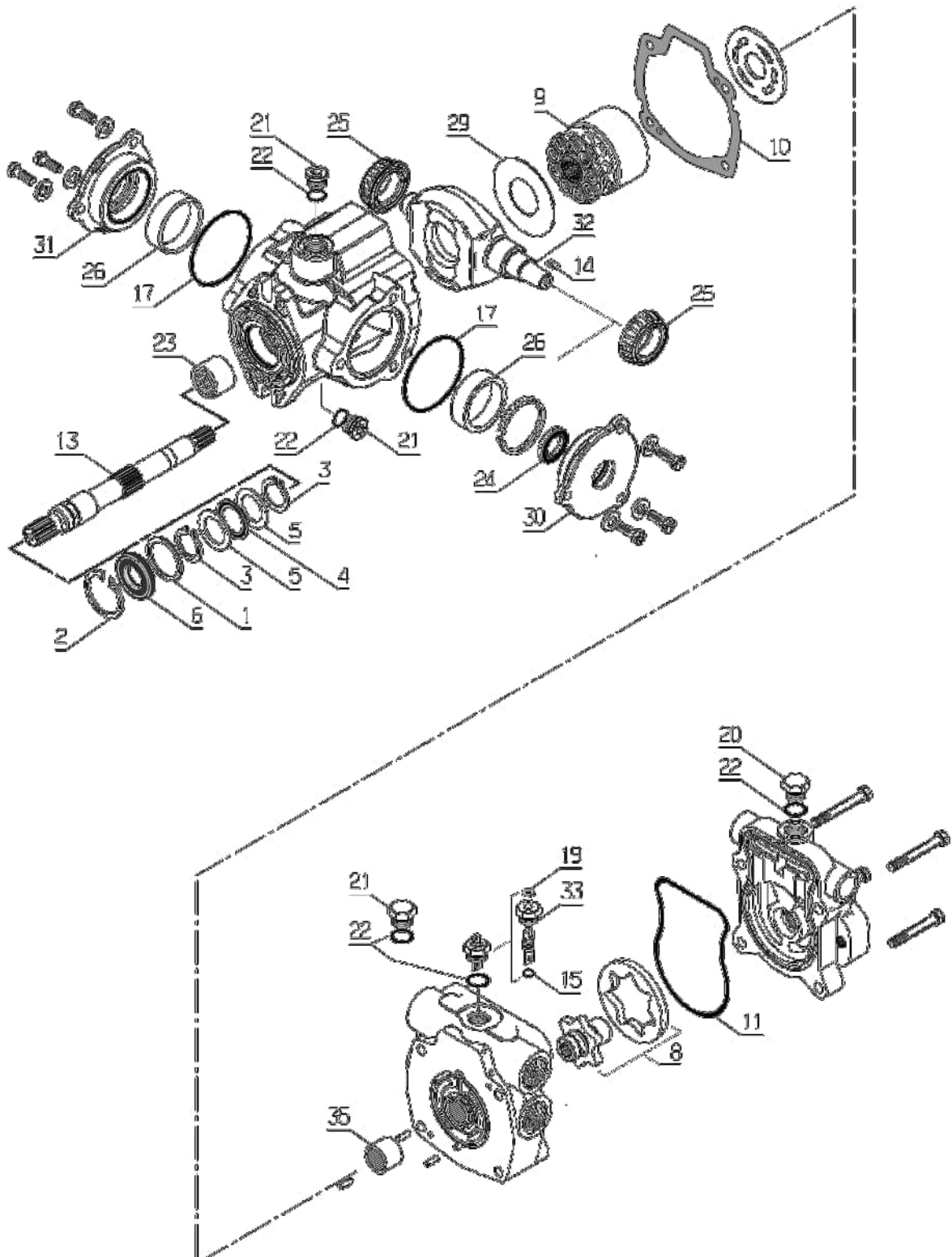


04/2007

Number	Part Number	Name	Quantity
1	29881	WASHER	1,000
2	29882	CIRCLIP	1,000
3	29883	CIRCLIP	1,000
4	29884	STUDED STOP	1,000
5	29885	STUDED STOP WASHER	1,000
6	29886	SHAFT WASHER	1,000
8	29888	BOOSTER PUMP	1,000
9	29889	CYLINDER BLOCK	1,000
10	29890	PUMP GASKET	1,000
11	29891	O-RING	1,000
13	29893	PUMP INPUT SHAFT	1,000
14	30549	KEY	1,000
15	30674	O-RING	1,000
17	30672	O-RING	1,000
19	30671	CIRCLIP	1,000
20	30670	CAP	1,000
21	30669	CAP	1,000
22	30668	O-RING	1,000
23	30667	NEEDLE BEARING	1,000
24	29895	DRIVE SHAFT GASKET	1,000
25	30666	CONIC.NEEDL.BEARING	1,000
26	30665	SPACER	1,000
29	30661	WASHER	1,000
30	30660	UPPER COVER	1,000
31	30659	LOWER COVER	1,000
32	30658	CAM PLATE	1,000
33	30657	CAP	1,000
35	30577	NEEDLE BEARING	1,000

54342

509.03

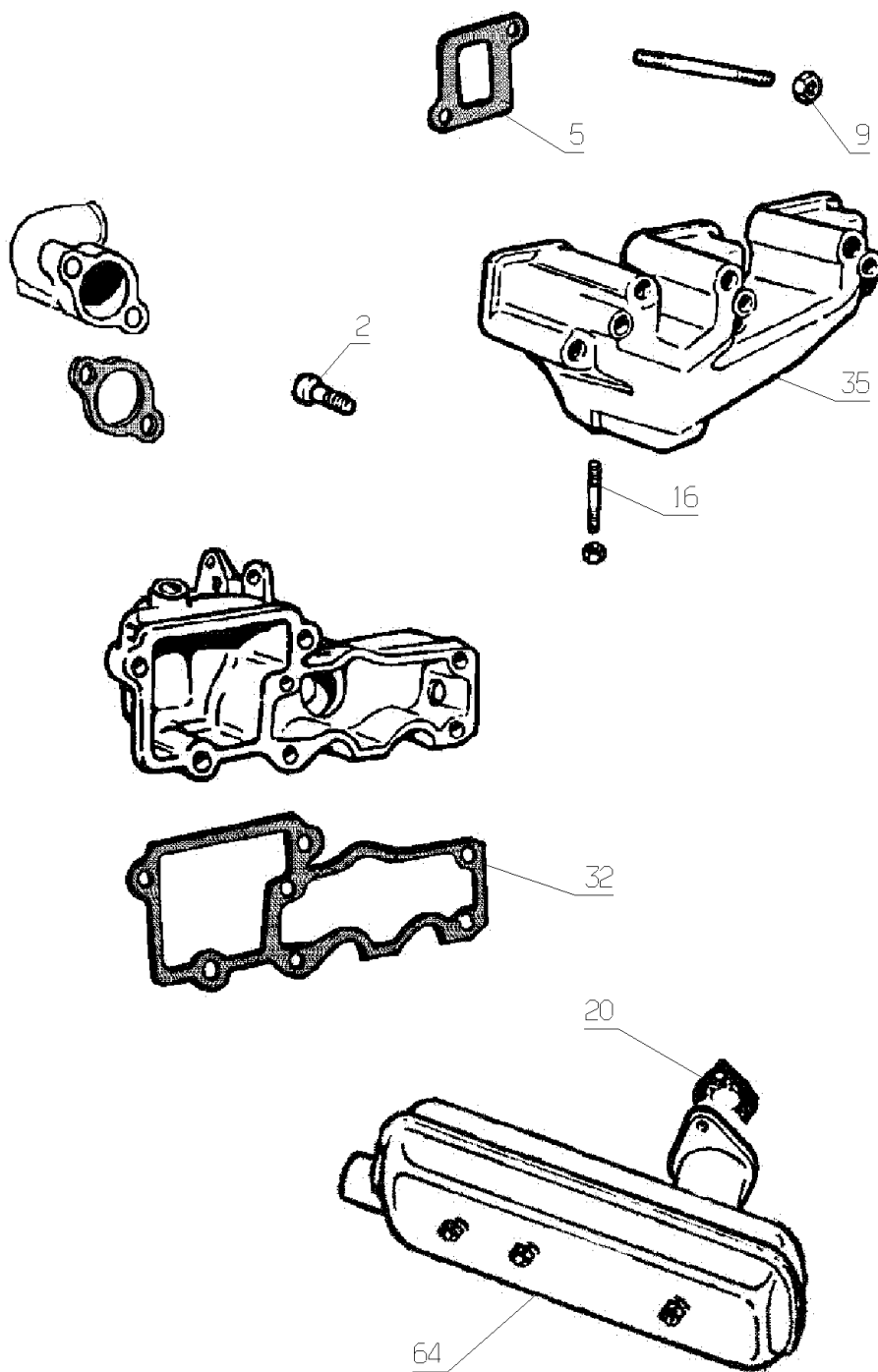


01/2025

Number	Part Number	Name	Quantity
2	22032	SCREW M8X35	1,000
5	29827	EXHAUST GASKET LDW	1,000
9	30536	MUFFLER BRASS NUT	1,000
16	30547	EXHAUST COLLECT.PIN	1,000
20	29850	FOCS EXHAUST GASKET	1,000
32	30542	GASKET	1,000
35	30545	EXHAUST COLLECTOR	1,000
64	29102	MUFFLER	1,000

LOMBARDINI
FOCS LDW
903 / 1003

520.01



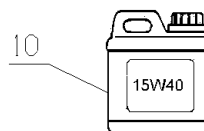
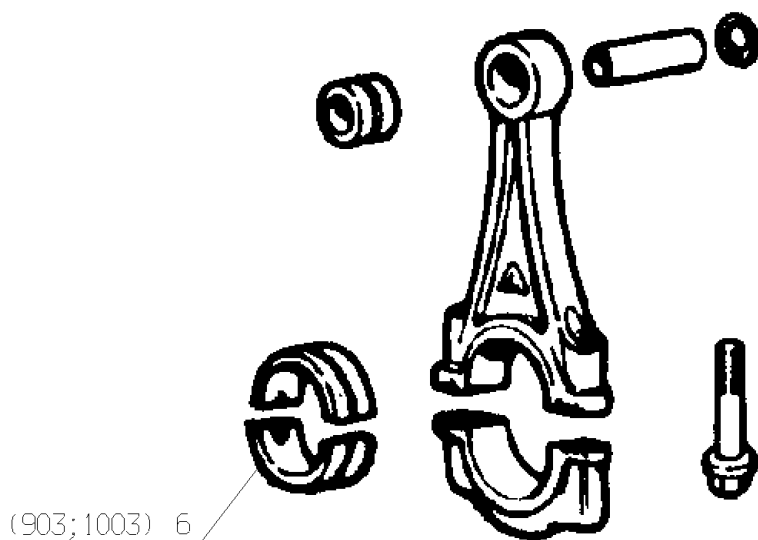
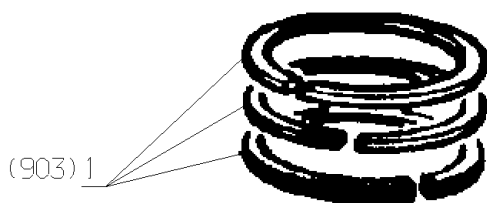
LES PIÈCES NON LISTÉES SONT À COMMANDER CHEZ LOMBARDINI
TEILE DIE KEINE NUMMER HABEN SIND BEI LOMBARDINI BESTELLBAR
PARTS WHO ARE NOT LISTED COULD BE ORDERED BY LOMBARDINI

11-2004

Number	Part Number	Name	Quantity
1	30519	SET OF PISTON RINGS	1,000
6	30528	BEARING	1,000
10	29591	-> 54934	1,000

LOMBARDINI
FOCS LDW
903 / 1003

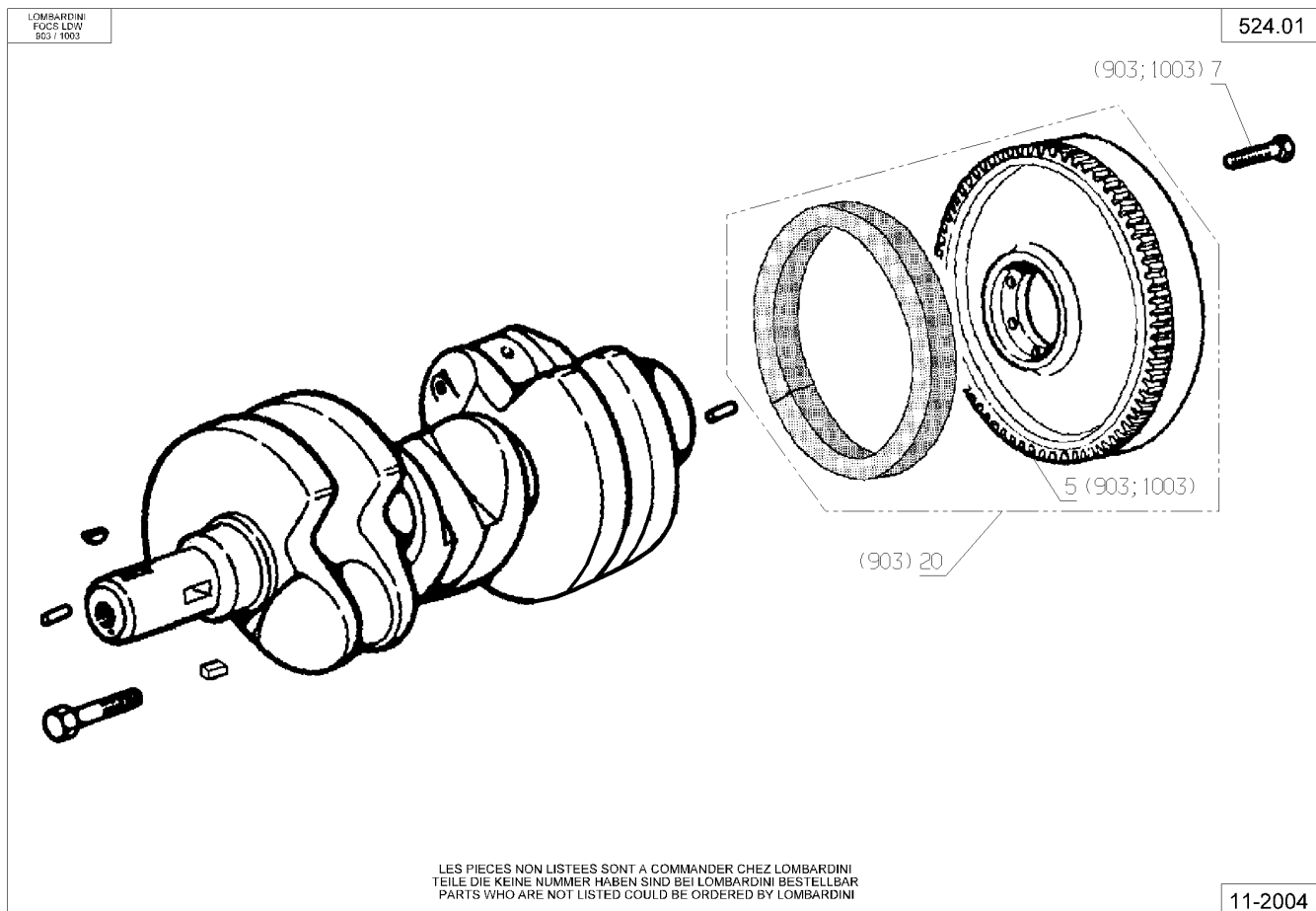
522.01



LES PIECES NON LISTEES SONT A COMMANDER CHEZ LOMBARDINI
TEILE DIE KEINE NUMMER HABEN SIND BEI LOMBARDINI BESTELLBAR
PARTS WHO ARE NOT LISTED COULD BE ORDERED BY LOMBARDINI

11-2004

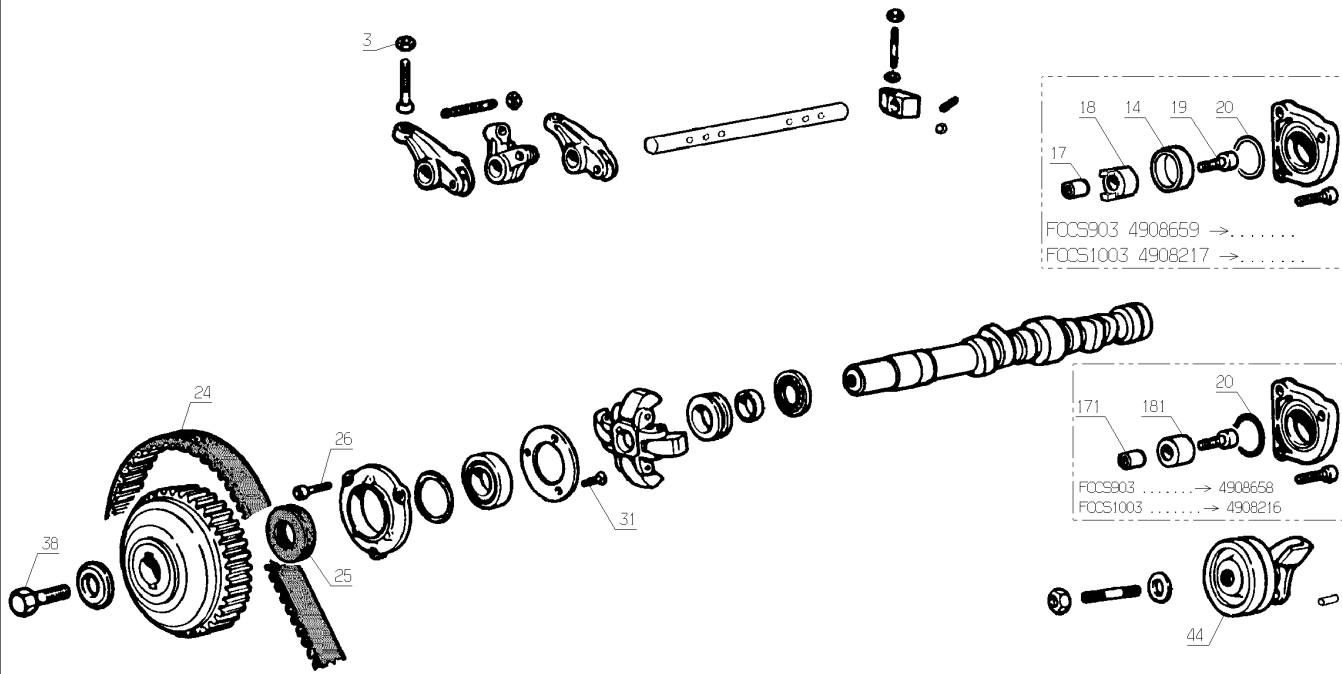
Number	Part Number	Name	Quantity
5	30563	FLYWHEEL	1,000
7	71242	HEX.SCREW HM10X35	1,000
20	30523	FLYWHEEL	1,000



Number	Part Number	Name	Quantity
3	1557	NUT HM6	1,000
14	34010	RING	1,000
17	34009	CENT.BUSH	1,000
18	34012	ECCENT.PIN	1,000
19	34041	SCREW	1,000
20	30531	O-RING ACCESS.	1,000
24	30506	TIMING BELT	1,000
25	30574	SEAL 35.52.9	1,000
26	5318	HEX.SCREW M6X16	1,000
31	71137	BOLT M6X16	1,000
38	70086	HEXAGON SCREW,DIN 9	1,000
44	30584	TENSION ROLLER	1,000
171	30529	CENTRING BUSH	1,000
181	30533	HOLLOW GEAR 3 PTO	1,000

LOMBARDINI
FOCS LOW
903 / 1003

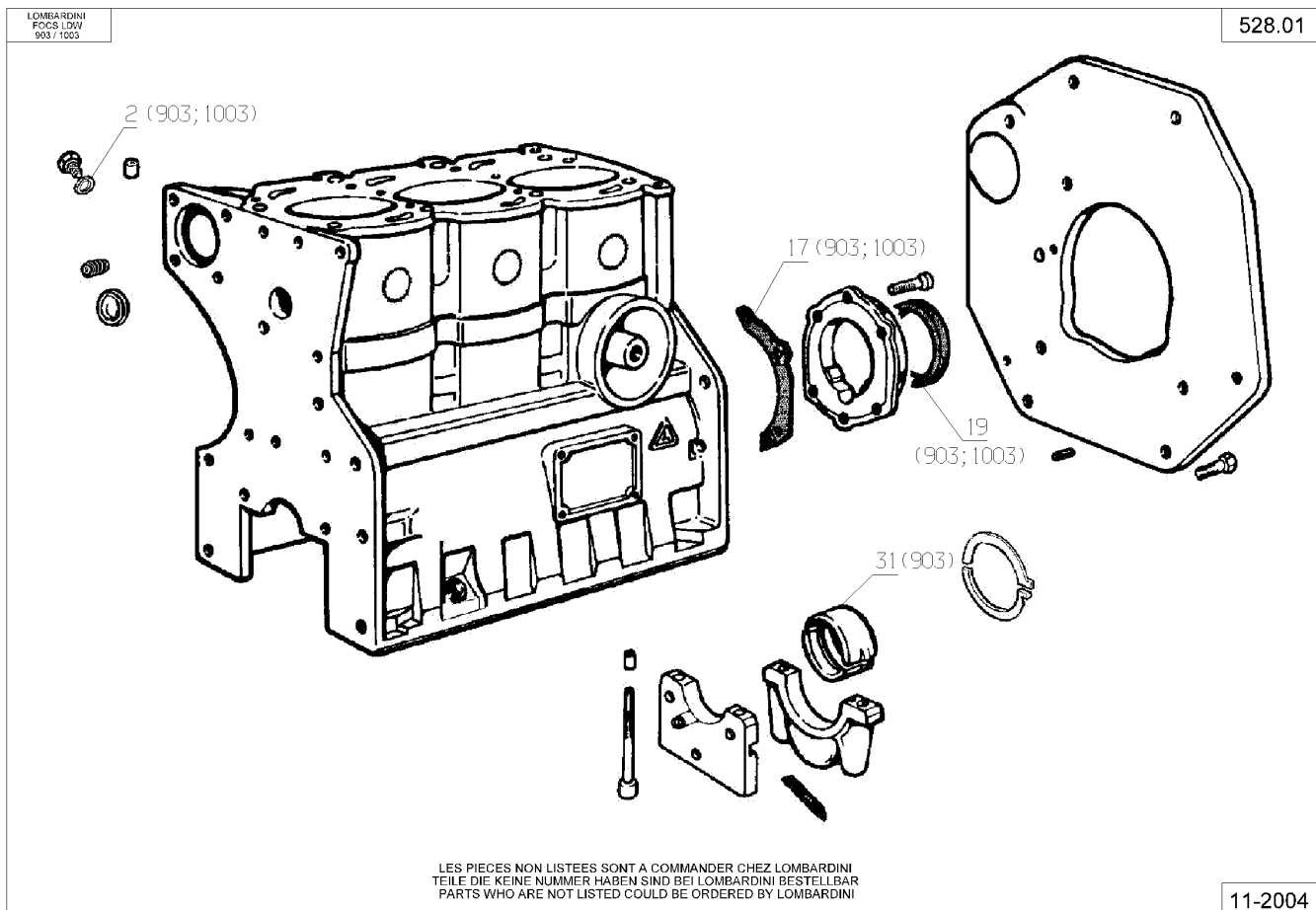
526.01



LES PIÈCES NON LISTÉES SONT À COMMANDER CHEZ LOMBARDINI
TEILE DIE KEINE NUMMER HABEN SIND BEI LOMBARDINI BESTELLBAR
PARTS WHO ARE NOT LISTED COULD BE ORDERED BY LOMBARDINI

03/2008

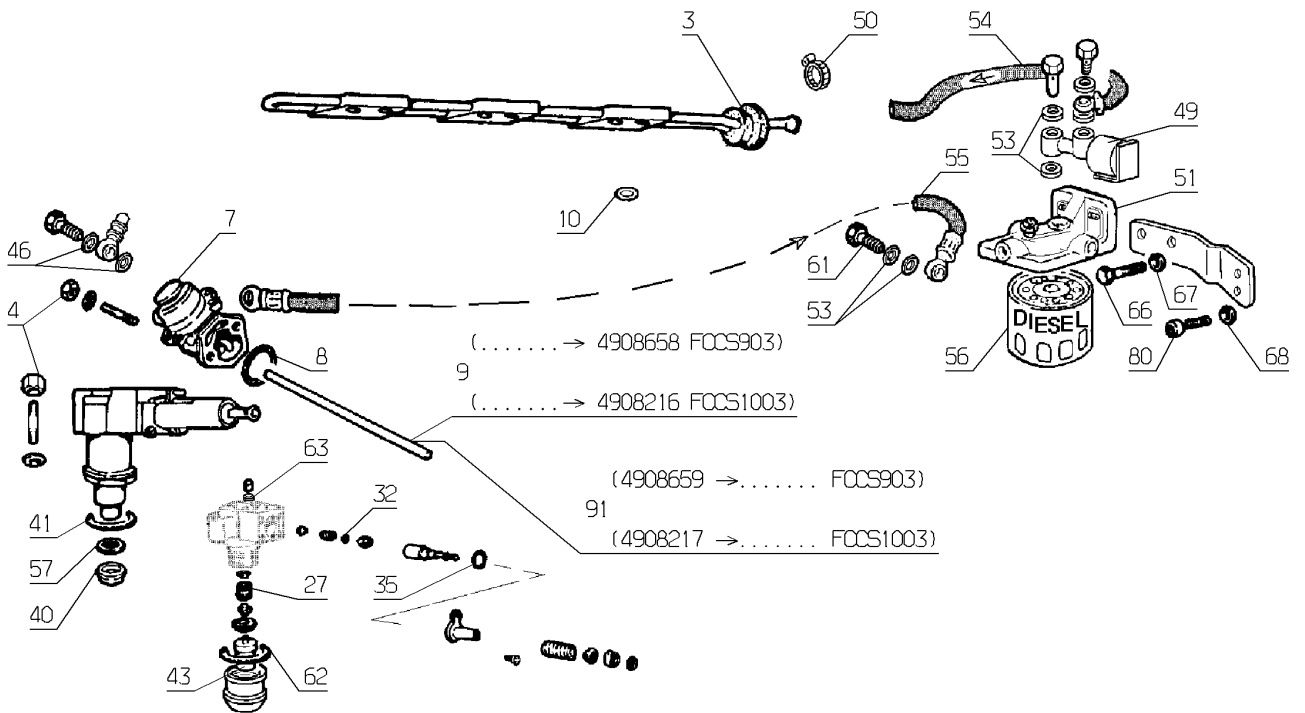
Number	Part Number	Name	Quantity
2	30588	COPPER SEAL	1,000
17	30591	CASING GASKET	1,000
19	30502	OIL SEAL	1,000
31	30526	BEARING	1,000



Number	Part Number	Name	Quantity
3	30601	FUEL RAIL GASKET	1,000
4	2020	NUT HM8	1,000
7	30516	DIESEL PUMP	1,000
8	30603	DIAPHRAGM PUMP SEAL	1,000
9	30535	DIESEL PUMP DRIVE R	1,000
10	30604	O-RING 9,25	1,000
27	31005	WASHER KIT	1,000
32	30628	COPPER SEAL	1,000
35	30629	O-RING 20,35	1,000
40	30513	FIRE RING	1,000
41	30632	O-RING 26,70	1,000
43	30514	INJECTOR NOZZLE	1,000
46	30635	COPPER SEAL 10	1,000
49	30507	FUEL SHOT OFF VALVE	1,000
50	29686	RING 10-19	1,000
51	34575	FILTER BRACKET	1,000
53	30639	COPPER SEAL 14	1,000
54	30525	FEEDING HOSE 10	1,000
55	30524	FEEDING HOSE 14	1,000
56	29583	DIESEL FILTER	1,000
57	30640	COPPER SEAL	1,000
61	34632	VALVE HOSE	1,000
62	30642	O-RING 25,12	1,000
63	30643	METAL GASKET	1,000
66	70086	HEXAGON SCREW,DIN 9	1,000
67	21036	FLAT WASHER 10.5	1,000
68	71343	SPRING WASHER A8	1,000
80	22011	BOLT M 8X20	1,000
91	34026	FUEL PUMP DR.ROD	1,000

LOMBARDINI
FCCS LDW/
903 / 1003

530.01

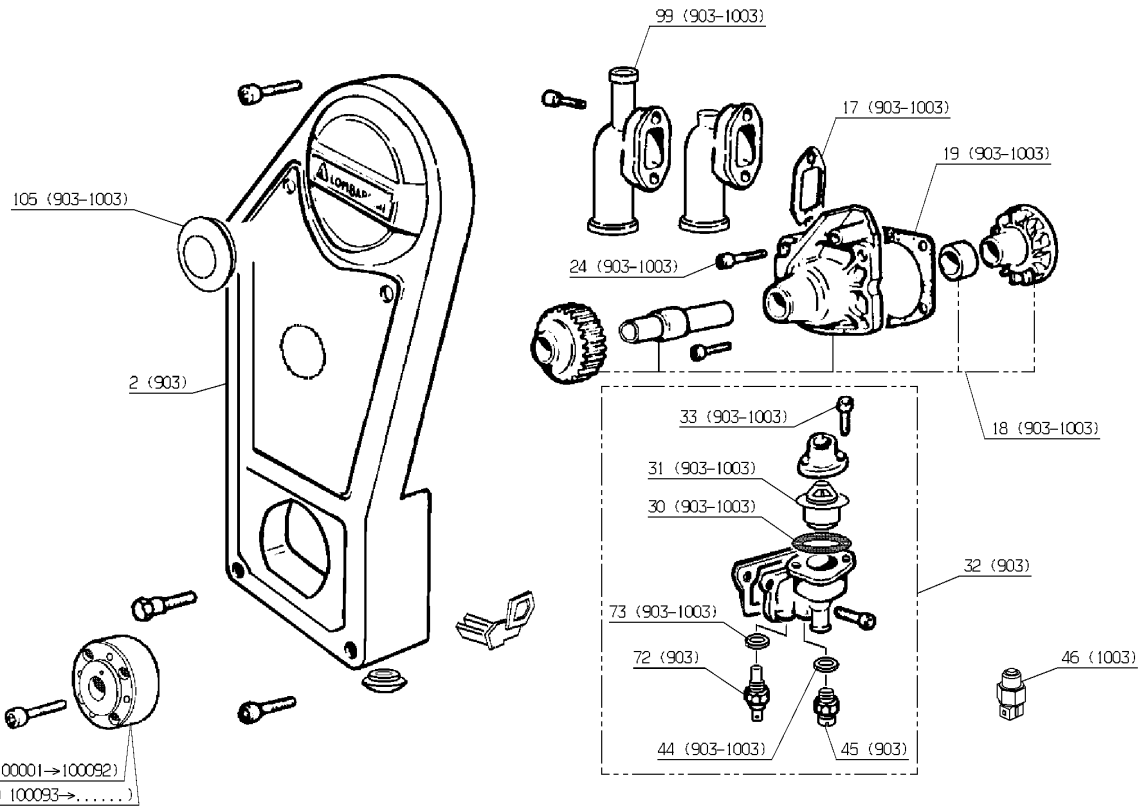


LES PIÈCES NON LISTÉES SONT À COMMANDER CHEZ LOMBARDINI
TEILE DIE KEINE NUMMER HABEN SIND BEI LOMBARDINI BESTELLBAR
PARTS WHO ARE NOT LISTED COULD BE ORDERED BY LOMBARDINI

02/2011

Number	Part Number	Name	Quantity
2	30646	TIMING BELT COVER	1,000
17	30539	GASKET	1,000
18	30515	WATER PUMP	1,000
19	30647	WATER PUMP GASKET	1,000
24	22032	SCREW M8X35	1,000
30	30649	VALVE O-RING	1,000
31	30650	THERMOSTATIC VALVE	1,000
32	30512	THERMOSTAT BOX	1,000
33	22011	BOLT M 8X20	1,000
44	30651	COPPER SEAL 16	1,000
45	29874	COOLING THERM.SWITC	1,000
46	34035	WATER THERMOSTAT	1,000
72	29875	PREFIR.THERM.SWITCH	1,000
73	30639	COPPER SEAL 14	1,000
99	30033	HEATING RETURN PIPE	1,000
103	29131	CLUTCH COUPLING	1,000
104	30508	CLUTCH COUPLING	1,000
105	30654	TIM.BELT COVER CAP	1,000

LOMBARDINI
FOCS LD/V
903/1003

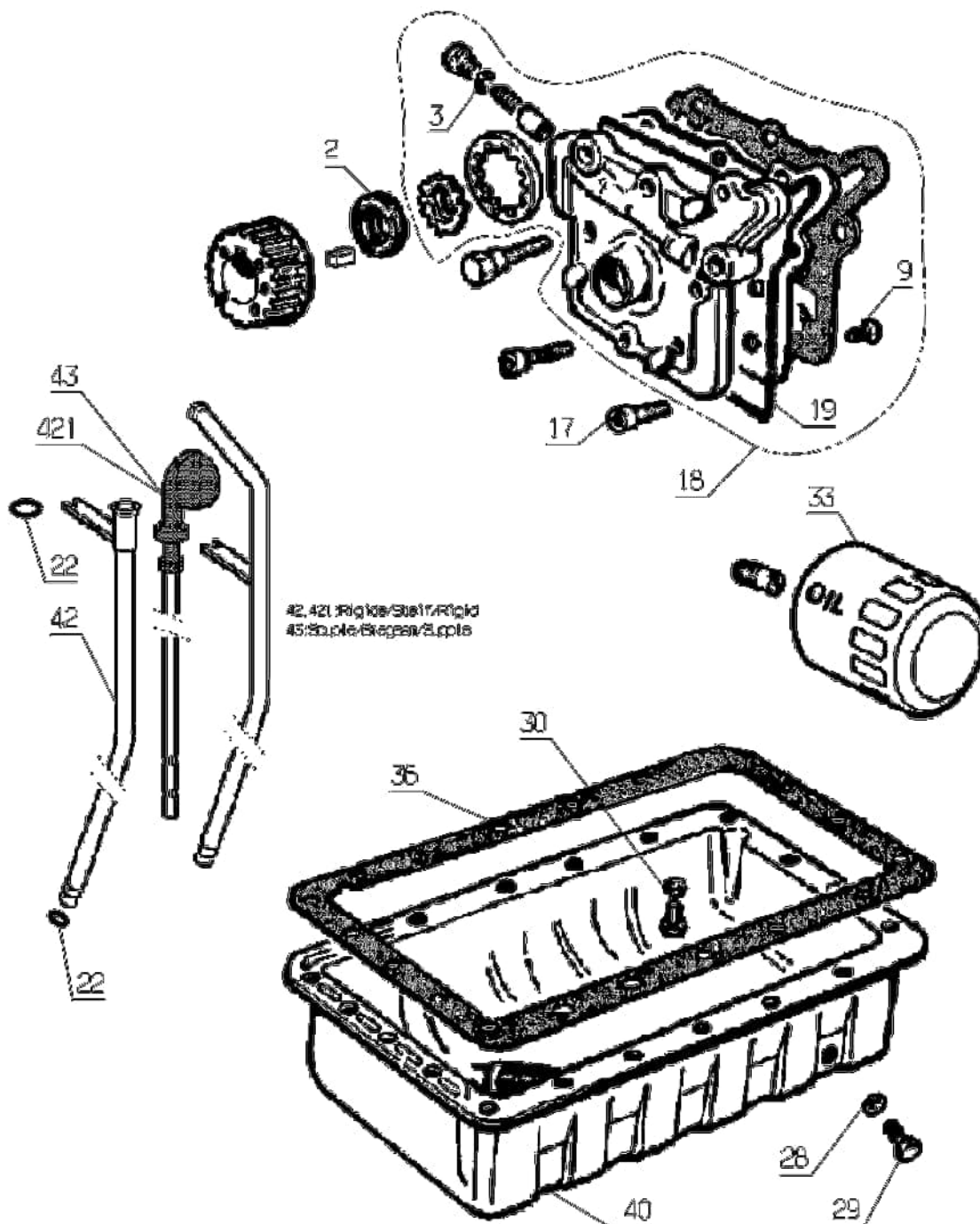


LES PIECES NON LISTEES SONT A COMMANDER CHEZ LOMBARDINI
TEILE DIE KEINE NUMMER HABEN SIND BEI LOMBARDINI BESTELLBAR
PARTS WHO ARE NOT LISTED COULD BE ORDERED BY LOMBARDINI

Number	Part Number	Name	Quantity
2	30501	SEAL OIL PUMP	1,000
3	30588	COPPER SEAL	1,000
9	71137	BOLT M6X16	1,000
17	22011	BOLT M 8X20	1,000
18	30537	OIL PUMP COMPLETE	1,000
19	30664	PUMP HOUSING GASKET	1,000
22	34002	GASKET	1,000
28	30500	OIL DRAIN SCRE.GASK	1,000
29	30522	DRAIN PLUG	1,000
30	2235	WASHER A6.4	1,000
33	29584	ENGINE OIL FILTER	1,000
36	30548	CRANKCASE GASKET	1,000
40	30517	ENGINE CRANKCASE	1,000
42	30504	OIL GAUGE TUBE	1,000
43	30540	OIL GAUGE	1,000
421	30503	OIL GAUGE	1,000

LOMBARDINI
FOCS LDW
903 / 1003

534.01



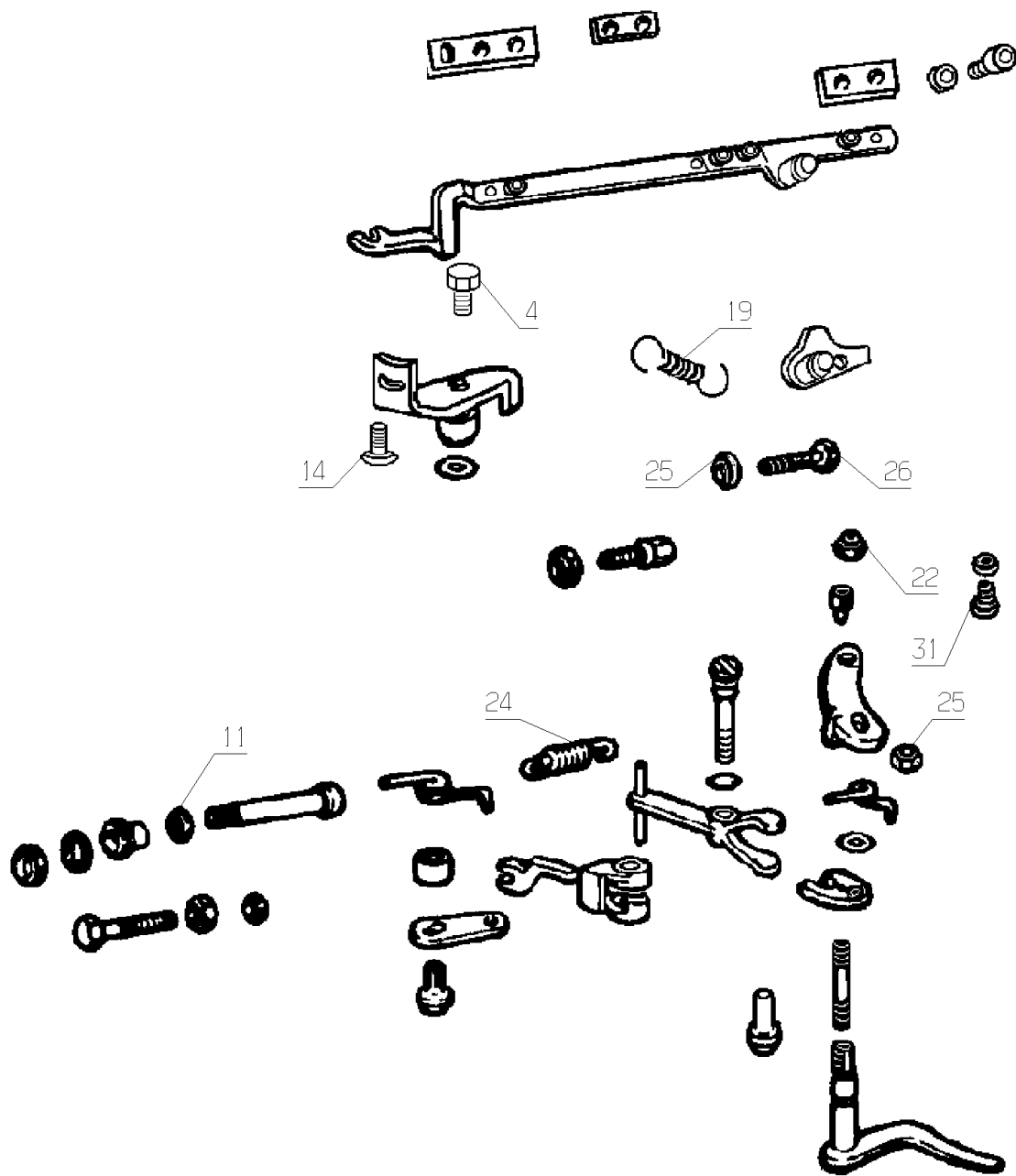
LES PIÈCES NON LISTÉES SONT À COMMANDER CHEZ LOMBARDINI
TEILE DIE KEINE NUMMER HABEN SIND BEI LOMBARDINI BESTELLBAR
PARTS WHO ARE NOT LISTED COULD BE ORDERED BY LOMBARDINI

11/2011

Number	Part Number	Name	Quantity
4	29830	THROTTLE CABLE STOP	1,000
11	30675	COPPER SEAL	1,000
14	2009	BOLT M5X16	1,000
19	30678	PUMP CONT.RODSRING	1,000
22	71205	SCREW M8	1,000
24	30679	REGULATOR SPRING	1,000
25	1557	NUT HM6	1,000
26	71333	H.SCREW M6X30 8.8	1,000

LOMBARDINI
FOCS LDW
903 / 1003

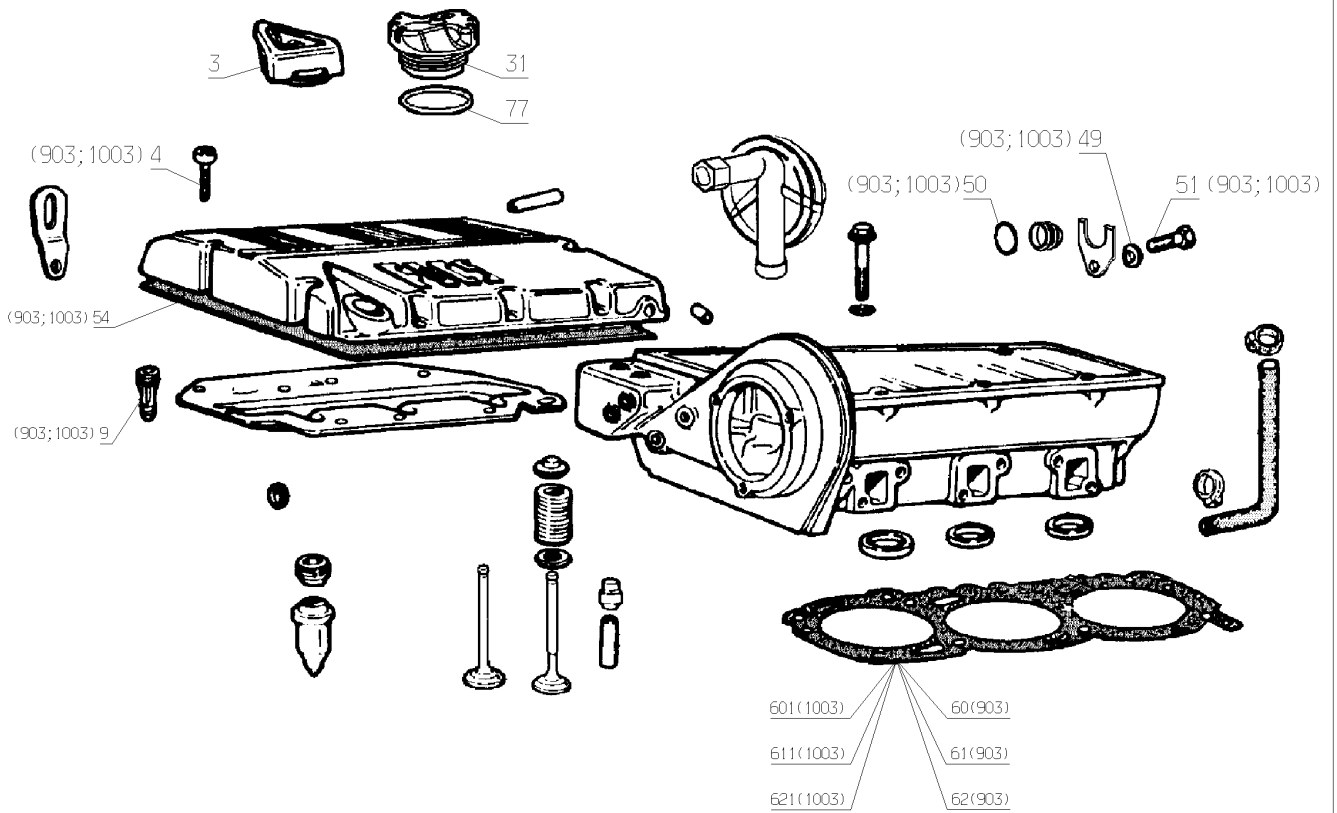
536.01



LES PIECES NON LISTEES SONT A COMMANDER CHEZ LOMBARDINI
TEILE DIE KEINE NUMMER HABEN SIND BEI LOMBARDINI BESTELLBAR
PARTS WHO ARE NOT LISTED COULD BE ORDERED BY LOMBARDINI

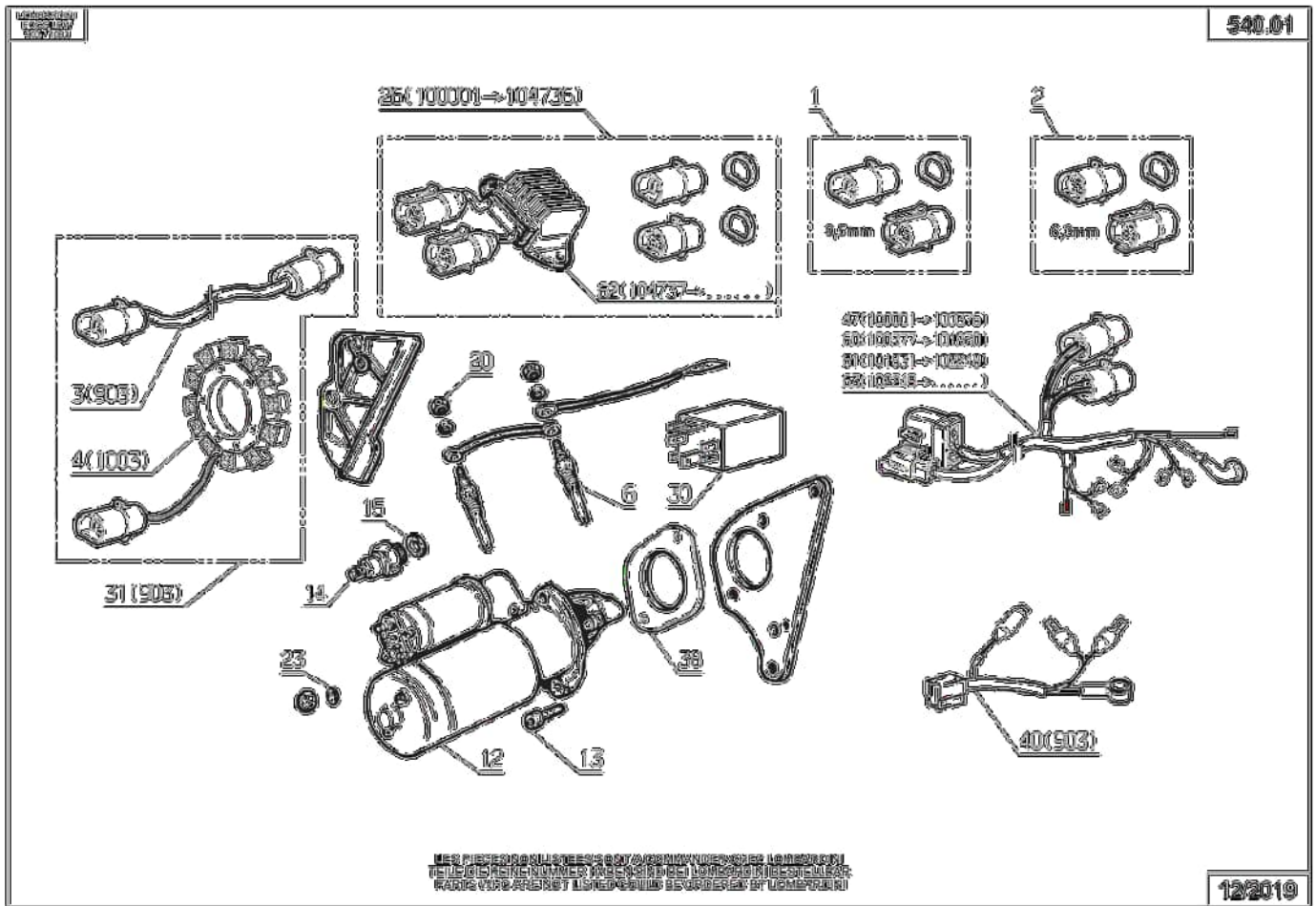
11-2004

Number	Part Number	Name	Quantity
3	30521	OIL FILLING CAP	1,000
4	71044	CAP SCREW,DIN 912-8	1,000
9	30703	RETURN TUBE	1,000
31	34034	OIL FILLING CAP	1,000
49	7335	WASHER	1,000
50	30538	HEATING GASKET	1,000
51	71316	SCREW HM8X10	1,000
54	30541	GASKET	1,000
60	30509	CYLI.HEAD GASK.1,45	1,000
61	30510	CYLI.HEAD GASK.1,55	1,000
62	30511	CYLI.HEAD GASK.1,65	1,000
77	34004	GASKET	1,000
601	34615	CYL.HEAD GASK. 1.45	1,000
611	34618	CYL.HEAD GASK. 1.55	1,000
621	34619	CYL.HEAD GASK. 1.65	1,000



LES PIECES NON LISTEES SONT A COMMANDER CHEZ LOMBARDINI
TEILE DIE KEINE NUMMER HABEN SIND BEI LOMBARDINI BESTELLBAR
PARTS WHO ARE NOT LISTED COULD BE ORDERED BY LOMBARDINI

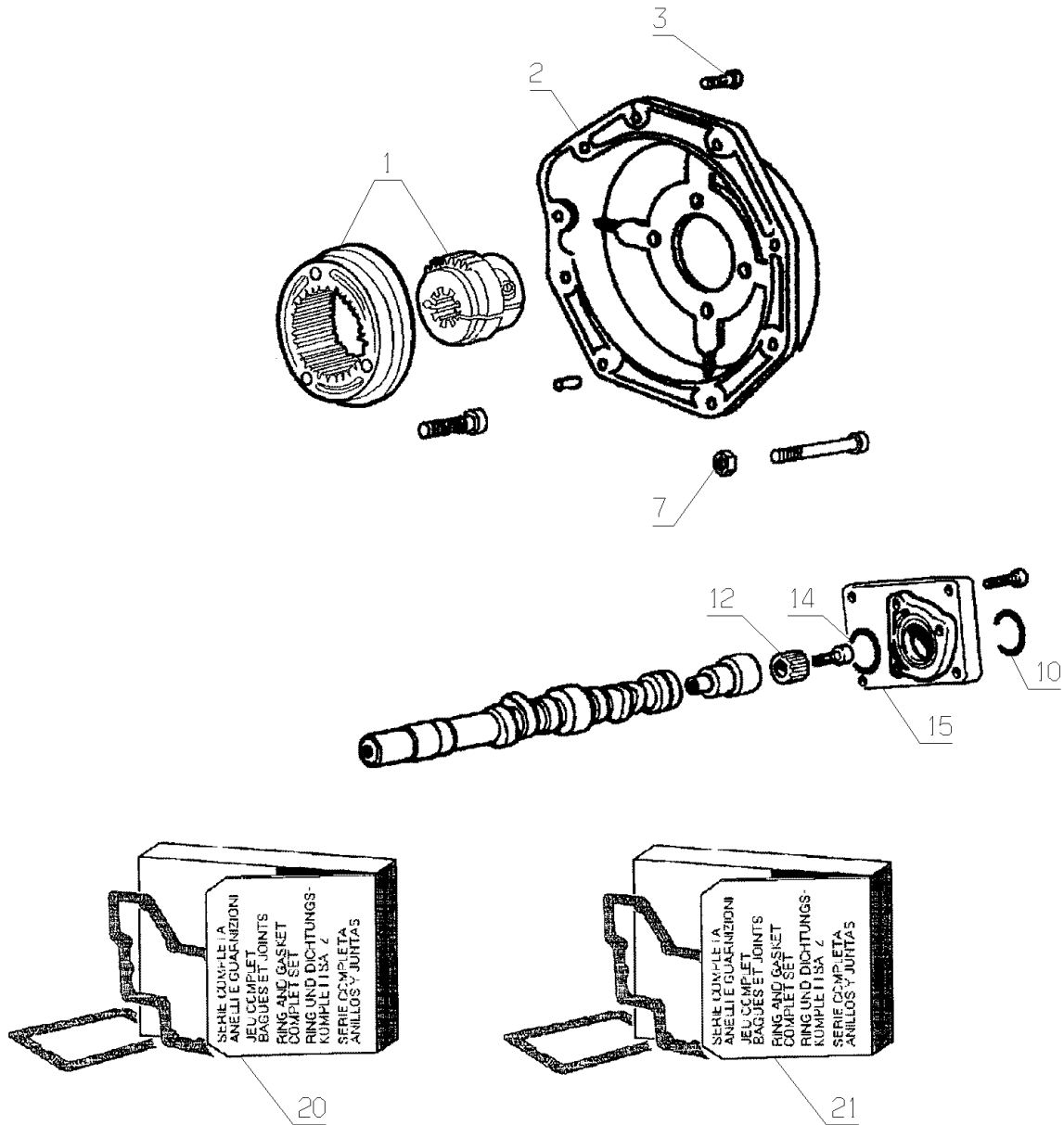
Number	Part Number	Name	Quantity
1	30120	M/W9,5 CONNECT.KIT	1,000
2	30121	M/W6,3 CONNECT.KIT	1,000
3	30592	ALTER.WIRING KIT	1,000
4	30546	ALTERNATOR NAKED	1,000
6	30505	PRE-HEATING PLUG	1,000
12	29957	STARTER 12V 1,6KW	1,000
13	71154	BOLT CHC M10X35	1,000
14	29873	OIL PRESSURE INDIC.	1,000
15	30588	COPPER SEAL	1,000
20	37561	NUT	1,000
23	7335	WASHER	1,000
26	29872	KIT REGULATOR	1,000
30	29484	PREFIRE RELAY	1,000
31	30520	ALTERNATOR KIT	1,000
38	29959	STARTER FLANGE	1,000
40	30544	REGULATOR WIRING	1,000
47	29876	ENGINE WIRING	1,000
60	30142	ENGINE WIRING	1,000
61	30429	ENGINE WIRING	1,000
62	52041	REGULATOR	1,000
63	30594	ENGINE WIRING	1,000



Number	Part Number	Name	Quantity
1	29829	GEAR 13 TEETH	1,000
2	30543	BELL PUMP BRACKET	1,000
3	9056	BOLT 8X25	1,000
7	2020	NUT HM8	1,000
10	30530	O-RING PUMP	1,000
12	29828	GEAR POWER OUTLET	1,000
14	30531	O-RING ACCESS.	1,000
15	30532	GEAR PUMP COUPLING	1,000
20	30518	SEAL KIT UP	1,000
21	30589	SEAL KIT DOWN	1,000

LOMBARDINI
FOCS LDW
903 / 1003

542.01



LES PIÈCES NON LISTÉES SONT À COMMANDER CHEZ LOMBARDINI
TEILE DIE KEINE NUMMER HABEN SIND BEI LOMBARDINI BESTELLBAR
PARTS WHO ARE NOT LISTED COULD BE ORDERED BY LOMBARDINI

03/2008