

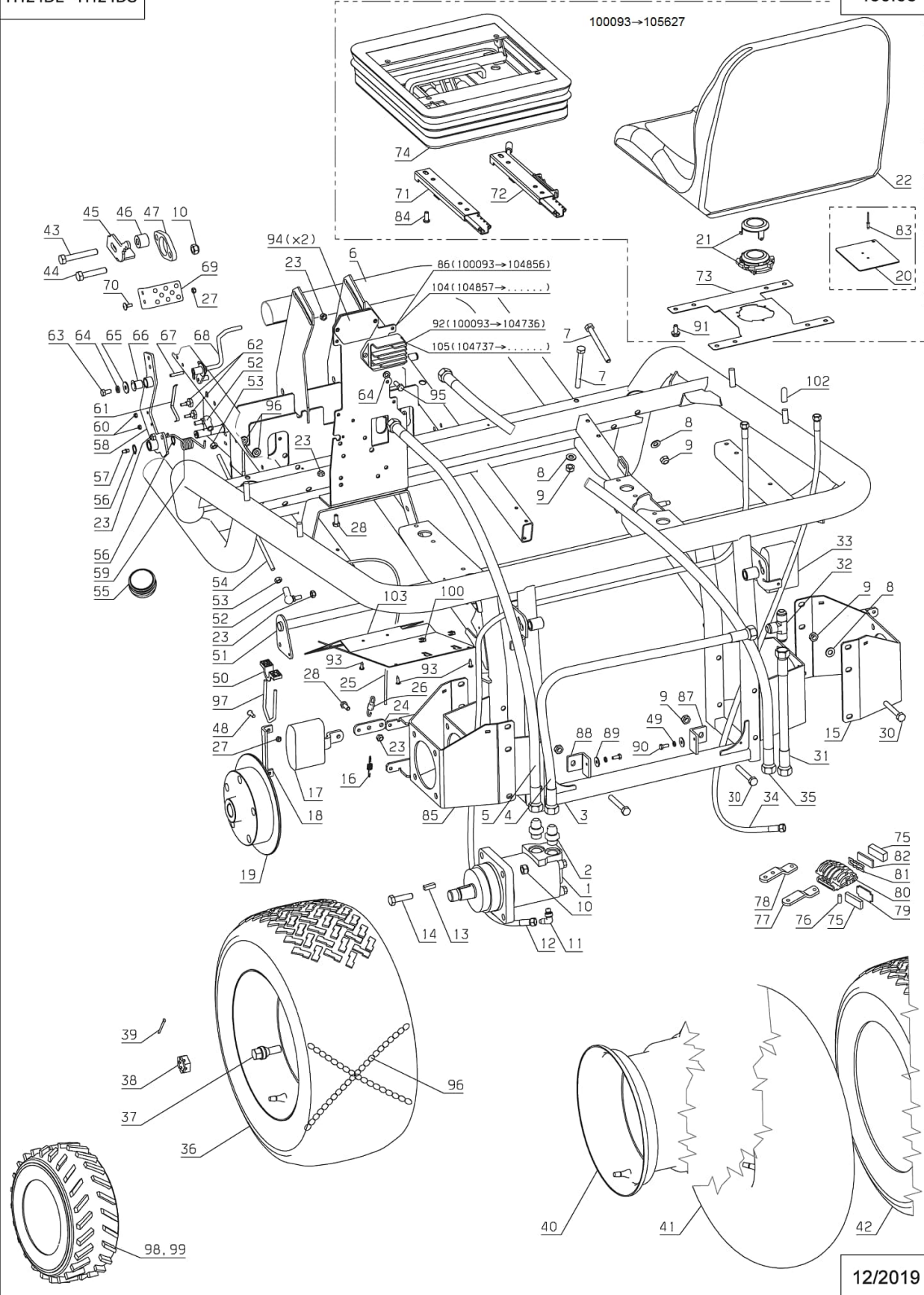
Number	Part Number	Name	Quantity
1	29302	SLOW WHEEL ENGINE	1,000
2	29451	ADAPTER AJM	1,000
3	52491	REAR FRAME 124	1,000
4	29311	T HOSE ENGINE/MOT	1,000
5	29306	FLOW DIV>MOTOR HOSE	1,000
6	29819	FRONT WELDED FRAME	1,000
7	71289	H.SCREW M10X100 8,8	1,000
8	21036	FLAT WASHER 10.5	1,000
9	9017	NUT HM10	1,000
10	71157	NUT AUTOFR.HM12	1,000
11	29453	ADAPTER CJM	1,000
12	29313	MOTOR DRAIN HOSE LH	1,000
13	29840	WHEEL ENGINE KEY	1,000
14	71290	H.SCREW M12X45 8,8	1,000
15	30222	R.WHEEL MOT.EXT.PLT	1,000
16	29144	BACK SPRING 1	1,000
17	29170	LH CALIPER	1,000
18	29536	BRAKE CALIPER STOP	1,000
19	30298	WHEEL HUB 04	1,000
20	30689	USER DETECT.PLATE	1,000
21	30690	SEAT SWITCH	1,000
22	30691	SEAT	1,000
23	71205	SCREW M8	1,000
24	37948	BRAKE EXTENSION	1,000
25	29687	BRAKE CABLE	1,000
26	29225	BRAKE SPRING	1,000
27	71201	NUT M6	1,000
28	71413	SCREW HM 8-20	1,000
30	71032	KAWA SCREW H M10X75	1,000
31	29310	T HOSE ENGINE/MOT	1,000
32	29470	ADAPTER HJM	1,000
33	29145	RH CALIPER	1,000
34	29312	MOTOR DRAIN HOSE RH	1,000
35	29305	HOSE FLOW DIV/ENGIN	1,000
36	35714	REAR WHEEL CPLT 23"	1,000
37	32152	WHEEL FITTING SCREW	1,000
38	29839	WHEEL ENGINE NUT	1,000
39	71345	SPLIT PIN 4-45	1,000
40	35715	REAR RIM GREY 23"	1,000
41	29627	REAR INNER TUBE	1,000
42	29481	REAR TYRE	1,000

Number	Part Number	Name	Quantity
43	71134	HEX.SCREW M12X80	1,000
44	71291	H.SCREW M12X60 8,8	1,000
45	29734	BRAKE FAST.HOOK	1,000
46	29735	BLOCKING SPACER	1,000
47	29063	BEARING FRONT POWER	1,000
48	71381	SCREW FHC/90 M6-20	1,000
49	71049	SPRING WASHER,DIN 1	1,000
50	30404	STRAP + NOTCH	1,000
51	29814	BRAKE DRIVE	1,000
52	28234	KNUCKLE M8	1,000
53	2020	NUT HM8	1,000
54	29715	BRAKE ROD	1,000
55	28056	TUBE CAP 60	1,000
56	71019	CIRCLIP 16X1	1,000
57	25301	RH STD "HYDRAULIC"	1,000
58	29813	BRAKE LINKAGE	1,000
59	29215	TORSION SPRING	1,000
60	37561	NUT	1,000
61	29214	SPERRFEDER	1,000
62	29176	BOLT	1,000
63	6169	SCREW HM8X16	1,000
64	71343	SPRING WASHER A8	1,000
65	7035	FLAT WASHER	1,000
66	28070	SLEEVE 15/17/20	1,000
67	20552	COTTER PIN V 5X32	1,000
68	29581	STEP ARM	1,000
69	29862	BRAKE PEDAL	1,000
70	21608	SCREW 6X16 DIN	1,000
71	30714	SEAT GUIDE LEFT	1,000
72	37079	SEAT GUIDE RIGHT	1,000
73	30718	SWITCH PLATE	1,000
74	32111	SEAT SUSPENSION	1,000
75	29851	BRAKE PAD KIT	1,000
76	29858	PIN	1,000
77	29852	CAM	1,000
78	29853	CAM	1,000
79	29854	PAD SUPPORT	1,000
80	29857	-> 29145 OR 29170	1,000
81	29856	STOP SPRING	1,000
82	29855	PAD SUPPORT	1,000
83	71139	RIVET ALU TF 4X11	1,000

Number	Part Number	Name	Quantity
84	71373	SCREW M8X20	1,000
85	30223	L.WHEEL MOT.EXT.PLT	1,000
86	30147	DISTR.2000 BRACKET	1,000
87	30410	REINFORCING PLATE R	1,000
88	30411	REINFORCING PLATE L	1,000
89	22029	FLAT WASHER 6,5	1,000
90	37997	SCREW HM6-16 8.8	1,000
92	29872	KIT REGULATOR	1,000
93	71111	TAPPING SCREW,DIN 7	1,000
94	30146	REGULATOR PLATE	1,000
95	35433	SCREW M8-30,8.8	1,000
96	29549	RUBBER GROMMET 14	1,000
97	30405	FLANGE STRAP	1,000
98	30060	AGRARIAN TYRE H124D	1,000
99	MA124	AGRARIAN WHEELS	1,000
100	21436	CLIPS NUT	1,000
102	42628	RUBBER PROTECTION	1,000
103	30225	MUDGUARD H124D	1,000
104	51973	DISTRIB.BRACKET KIT	1,000
105	52041	REGULATOR	1,000

H124DL - H124DS

430.03



Number	Part Number	Name	Quantity
1	30455	ST.J.BAG OF GASKETS	1,000
2	25475	SEALED BALL BEARING	1,000
3	28209	ALARM	1,000
4	37997	SCREW HM6-16 8.8	1,000
5	29515	CONSOLE SPACER	1,000
6	20552	COTTER PIN V 5X32	1,000
7	29820	COUPL.BRACKET PLATE	1,000
8	29739	LH CONS.COVER.BRACK	1,000
9	22456	SCREW HM 6X40	1,000
10	2235	WASHER A6.4	1,000
11	29740	RH CONS.COVER BRACK	1,000
12	29427	SLEEVE 20/23/21	1,000
13	1513	CIRCLIP 15	1,000
14	1517	WASHER 13X40X3	1,000
15	20606	KEY 5X5X20	1,000
16	71238	WASHER A10,2	1,000
17	71157	NUT AUTOFR.HM12	1,000
18	9017	NUT HM10	1,000
19	25330	BADGE - ETESIA	1,000
20	29464	ADAPTER CJM	1,000
21	29167	STEERING JACK	1,000
22	28155	STEERING WHEEL CAP	1,000
23	29900	STEERING WHEEL	1,000
24	29194	FRONT WHEEL CPLT	1,000
25	35895	TYRE TREL 16.5X6.50	1,000
26	29626	FRONT INNER TUBE	1,000
27	29509	PROTECTION CAP	1,000
28	29508	FRONT RIM 5.50X8	1,000
29	71294	SPLIT PIN 3,2 X 22	1,000
30	71295	NUT HK M12X1,25	1,000
31	29603	STEE.COLUMN BRACKET	1,000
32	29809	LH STUB AXLE	1,000
33	29158	LOWER CAP	1,000
34	36753	BEARING KIT	1,000
35	29159	UPPER CAP	1,000
36	25301	RH STD "HYDRAULIC"	1,000
37	29811	FRONT AXLE	1,000
38	30240	SCHMIERNIPPEL M6 90	1,000
39	29155	AXLE SHAFT	1,000
40	9056	BOLT 8X25	1,000
41	71201	NUT M6	1,000

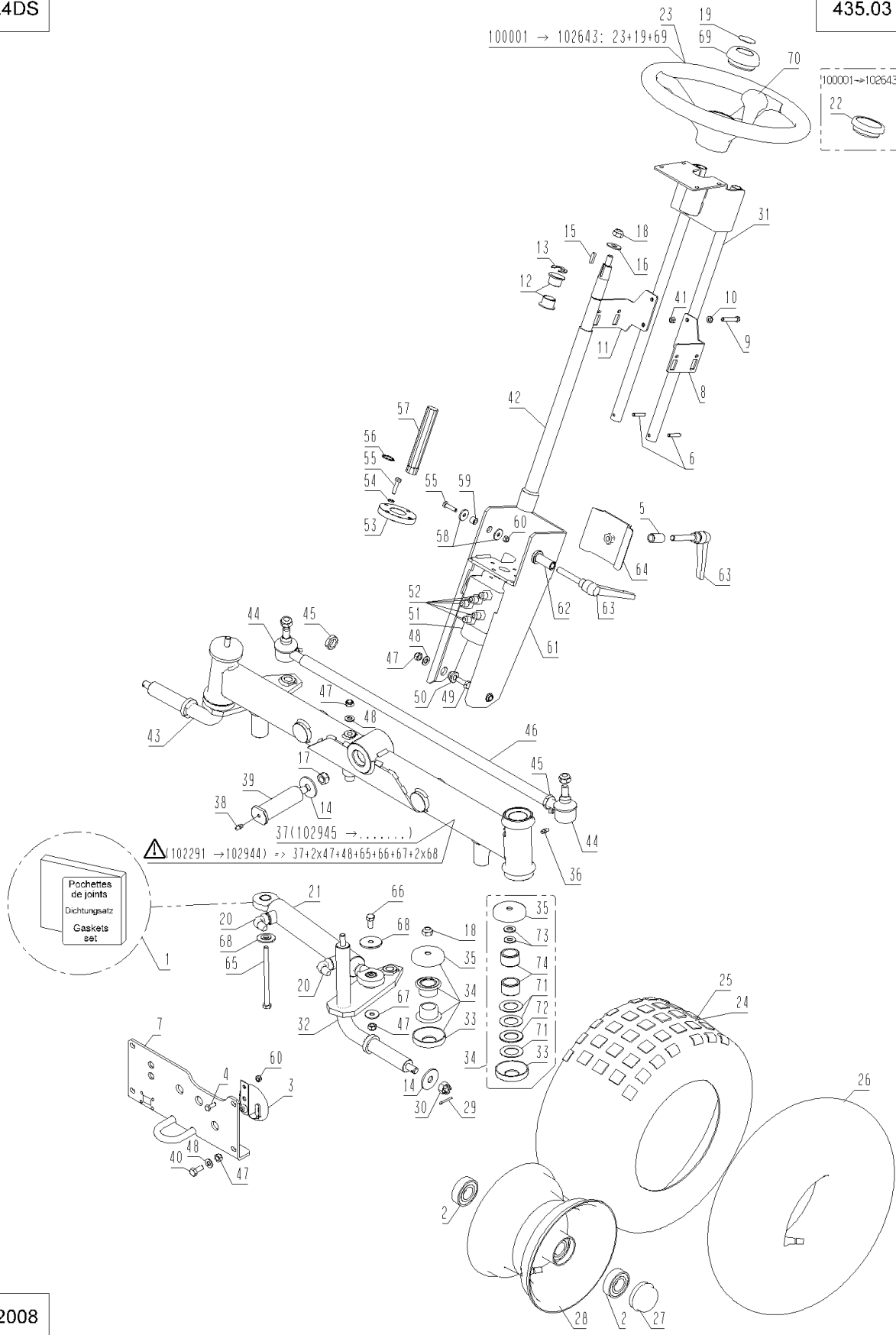
Number	Part Number	Name	Quantity
42	29602	STEERING COLUMN	1,000
43	29810	RH STUB AXLE	1,000
44	29198	->100320X2+100330X1	1,000
45	71292	SMALL NUT M16X1	1,000
46	29691	STUB AXLE ROD	1,000
47	71205	SCREW M8	1,000
48	7335	WASHER	1,000
50	29514	CONSOLE LINK SHAFT	1,000
51	29179	HYDRAULIC STEERING	1,000
52	29455	ADAPTER AJM	1,000
53	29520	ORBITROL SPACER	1,000
54	71049	SPRING WASHER,DIN 1	1,000
55	20693	HEX.SCREW HM6X25	1,000
56	71265	CIRCLIP 19	1,000
57	29522	ORBIT.GROOVE SHAFT	1,000
58	22029	FLAT WASHER 6,5	1,000
59	29528	CONSOLE BUSH	1,000
61	29606	CONOLE FRAME	1,000
62	29516	CONSOLE SPACER	1,000
63	29531	MALE DISENG.HANDLE	1,000
64	29609	CONSOLE GUIDE	1,000
65	71171	SCREW	1,000
66	71223	SCREW M8X50	1,000
67	7035	FLAT WASHER	1,000
68	30263	WASHER	1,000
69	29978	STEERING WHEEL CAP	1,000
70	29923	STEERING WHEEL GAIT	1,000
71	35108	WASHER AS1105	1,000
72	35110	BEARING STOP	1,000
73	21036	FLAT WASHER 10.5	1,000
74	35109	NAILBEARING HMK2520	1,000

H124DS

435.03

100001 → 102643: 23+19+69

100001 → 102643
22

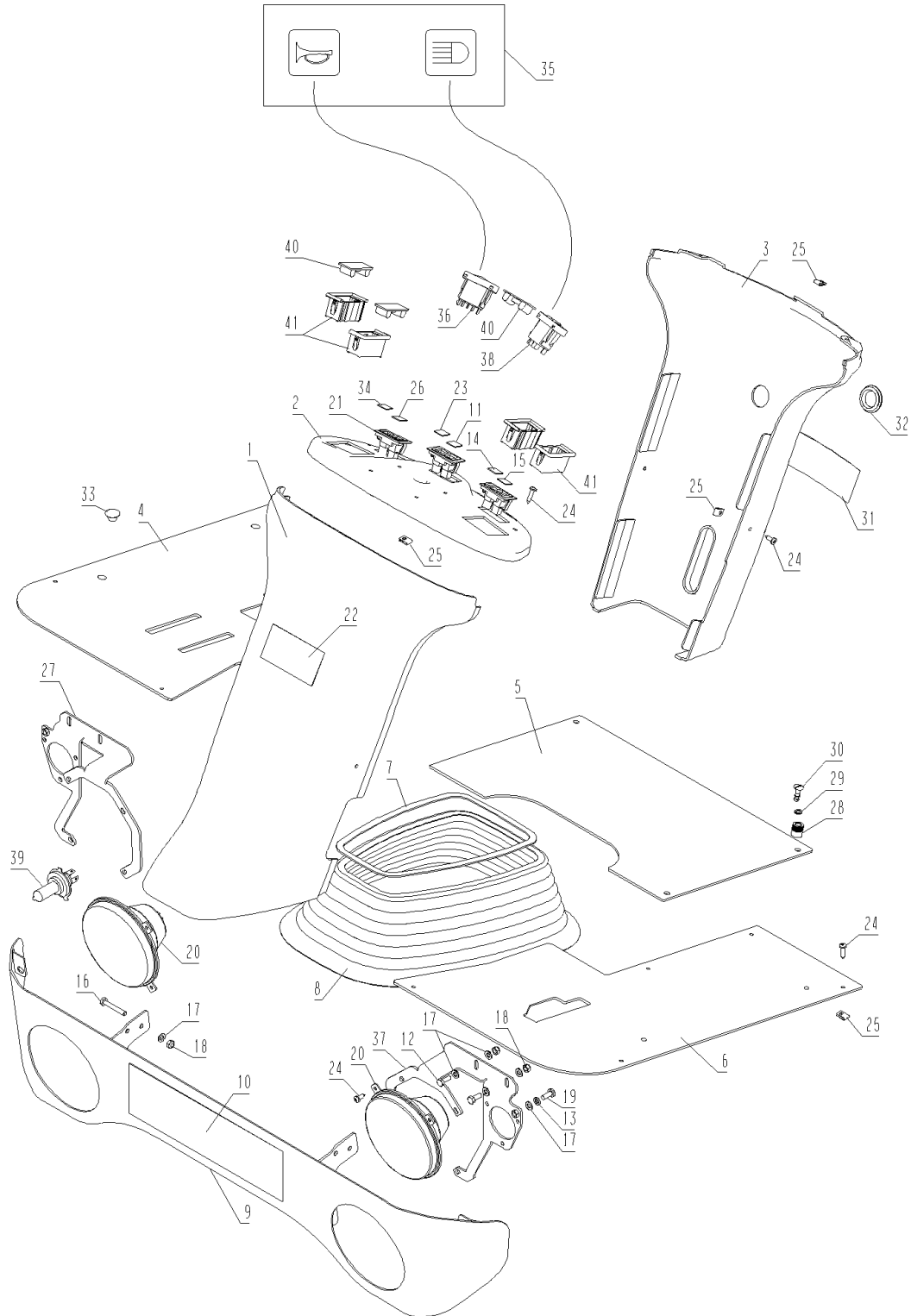


03/2008

Number	Part Number	Name	Quantity
1	29055	FRONT CONSOLE COVER	1,000
2	52586	DASHBOARD	1,000
3	29056	REAR CONSOLE COVER	1,000
4	29086	RH STEP	1,000
5	29050	BATTERY COVER	1,000
6	29849	FOOT STAND LEFT	1,000
7	29681	BELLOW RING	1,000
8	29081	CONSOLE BELLOW	1,000
9	30701	STEERING COVER	1,000
10	13085	STICKER ETESIA	1,000
11	29277	PRE-FIRE INDICATOR	1,000
12	37997	SCREW HM6-16 8.8	1,000
13	71049	SPRING WASHER,DIN 1	1,000
14	29281	DIESEL LEVEL INDIC.	1,000
15	29276	OIL TEMPER.INDICAT.	1,000
16	22456	SCREW HM 6X40	1,000
17	2235	WASHER A6.4	1,000
18	71201	NUT M6	1,000
20	30599	FRONT LIGHT	1,000
21	25775	DOUBLE RELAY LAN	1,000
22	12047	STICKER ETESIA	1,000
23	25782	INSERT OIL	1,000
24	71111	TAPPING SCREW,DIN 7	1,000
25	21436	CLIPS NUT	1,000
26	25788	INSERT BATTERY	1,000
27	30595	FR.R.LIGHTS BRACKE	1,000
28	29568	1/4 ROTAT.RECEIVER	1,000
29	29569	1/4 ROTAT. WASHER	1,000
30	29567	1/4 ROTA.THREAD.PIN	1,000
31	13021	STICKER	1,000
32	29667	CONSOLE CAP	1,000
33	30091	CAP DIAM. 12	1,000
34	29278	WATER TEMP.INDICAT.	1,000
35	13128	DIAGRAM LABEL	1,000
36	29299	SWICH ON/OFF/ON C11	1,000
37	30596	FR.L.LIGHTS BRACKE	1,000
38	29262	SWITCH ON/OFF/ON R	1,000
39	30638	BULB H4	1,000
40	30086	MOUNTG FRAME COVER	1,000
41	29273	EXT. FRAME	1,000

H124DS

440.03



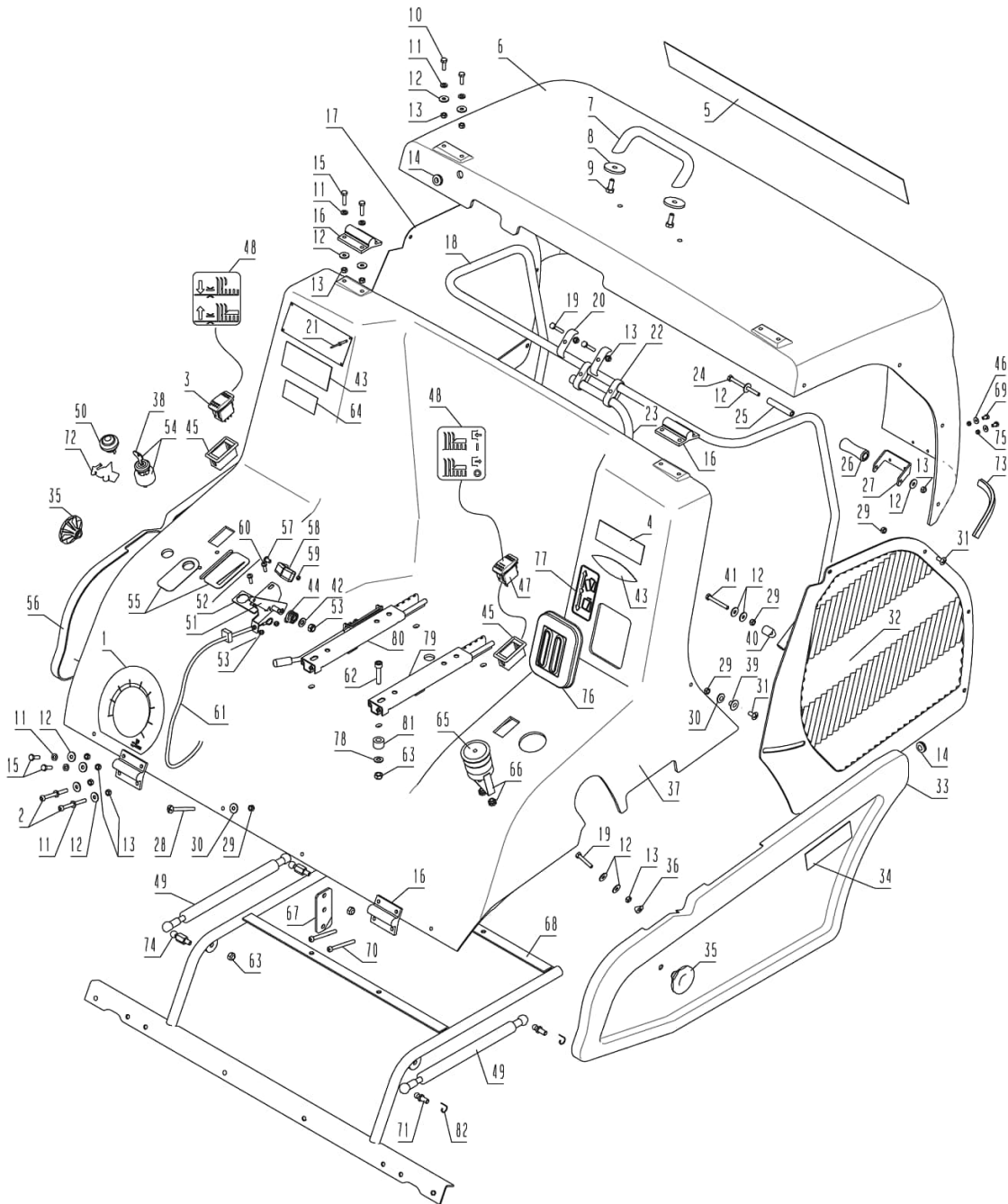
12/2005

Number	Part Number	Name	Quantity
1	13202	CUT.HEIGHT LABEL	1,000
2	71419	CHC M6X70 SCREW	1,000
3	52496	SWITCH ON/OFF/ON	1,000
4	13239	STICKER H124DS	1,000
5	13134	ENGINE COVER LABEL	1,000
6	30733	ENGINE COVER DS	1,000
7	29791	COVER GRIP	1,000
8	20021	WASHER 8,5X40X4	1,000
9	71413	SCREW HM 8-20	1,000
10	20507	BOLT HM 6X20	1,000
11	2235	WASHER A6.4	1,000
12	21270	WASHER 6,4	1,000
13	71201	NUT M6	1,000
14	29549	RUBBER GROMMET 14	1,000
15	20693	HEX.SCREW HM6X25	1,000
16	30418	COVER HINGE	1,000
17	30247	RH ENGINE GRID	1,000
18	29795	ENGINE COVER TUBE	1,000
19	71259	SCREW HM6X35	1,000
20	29847	REINF.DOUBLE COLLAR	1,000
21	71327	NAIL RIVET 4X21	1,000
22	29797	BOW FIXING COLLAR	1,000
23	29796	ENG.COVER REINF.TUB	1,000
24	71353	HEX.SCREW M5X80	1,000
25	29743	TUBE ROLLER	1,000
26	29742	COVER ROLLER	1,000
27	29744	ROLLER BRACKET	1,000
28	71422	RL M6X20 SCREW	1,000
30	71096	WASHER B6,4	1,000
31	71338	SCREW M6X15 6.8	1,000
32	30248	LH ENGINE GRID	1,000
33	35804	LEFT SIDE COVER	1,000
34	13086	STICKER ETESIA	1,000
35	24610	BUTTON (SMALL)	1,000
36	29826	RING 1 MM	1,000
37	30734	CENTRAL COVER	1,000
38	29534	SET OF 2 KEYS	1,000
39	29798	SPACER SCREEN GUIDE	1,000
40	29794	COLLAR 16 MM	1,000
41	71023	SCREW HM 6X50	1,000
42	7035	FLAT WASHER	1,000

Number	Part Number	Name	Quantity
43	13133	H124D GUIGIARO LABE	1,000
44	30218	THROTTLE CABLE PAD	1,000
45	29274	MOUNTING FRAME	1,000
46	7094	FLAT WASHER	1,000
47	52494	SWITCH	1,000
48	13128	DIAGRAM LABEL	1,000
49	29423	GAS RAM	1,000
50	30296	PUSH BUTTON	1,000
51	30287	THROTTLE CABLE LEV.	1,000
52	30289	THROTTL.CABLE BRACK	1,000
53	37561	NUT	1,000
54	29254	KEY SWITCH + 2 KEYS	1,000
55	13199	STICKER	1,000
56	35803	RIGHT SIDE COVER	1,000
57	71224	GAS GRIP SCREW 8-32	1,000
58	28177	GAS GRIP	1,000
59	71225	GAS GRIP NUT 8-32"	1,000
60	37996	SCREW HM5-16 8.8	1,000
61	30288	THROTTLE CABLE	1,000
62	21116	BOLT M 8 X 40	1,000
63	71205	SCREW M8	1,000
64	38728	STICKER FRANCE/EURO	1,000
65	52779	HOUR METER	1,000
66	29878	BRACKET PLATE + NUT	1,000
67	51118	FIXING PLATE	1,000
68	29605	CENTRAL COVER BOW	1,000
69	71204	SCREW DUO TAPT 5X10	1,000
70	71267	SCREW M6X65 8,8	1,000
71	51456	KNOB MALE M8	1,000
72	29973	KEY HANGER H124D	1,000
73	28254	PROTECT.COATING 690	1,000
74	30014	GAS CYLINDER SPACER	1,000
75	21525	NUT HM4	1,000
76	30736	BELLOW	1,000
77	13242	EMPTYING STICKER	1,000
78	7335	WASHER	1,000
79	30714	SEAT GUIDE LEFT	1,000
80	37079	SEAT GUIDE RIGHT	1,000
81	28296	SPACER	1,000
82	51457	PIN	1,000

H124DL - H124DS

445.03

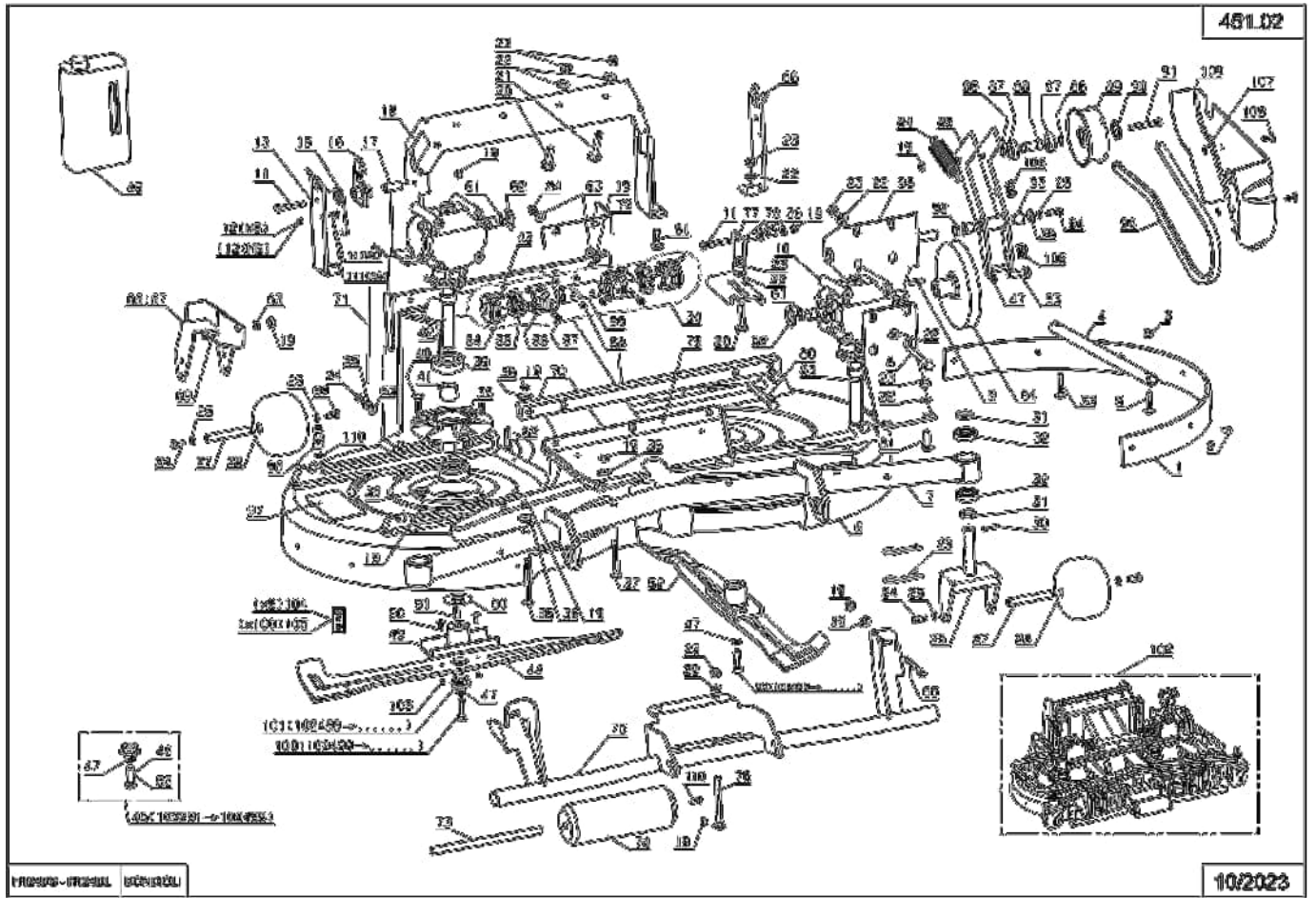


12/2019

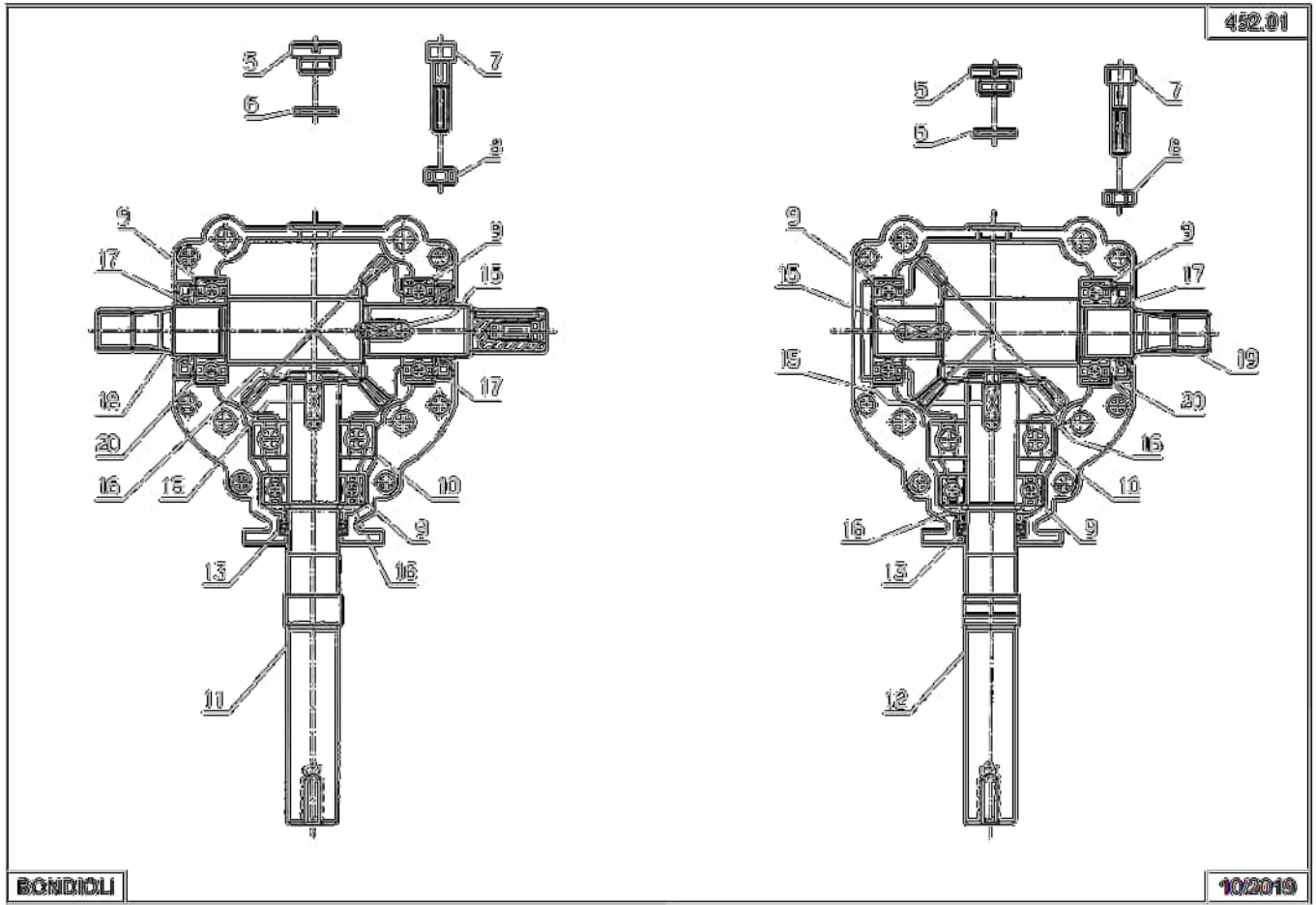
Number	Part Number	Name	Quantity
1	30694	DECK PROTECTION	1,000
2	71361	SCREW RL X M6X16	1,000
3	5043	NUT	1,000
4	30696	TUBE	1,000
5	22031	SCREW 8X55	1,000
6	38735	CUT.DECK H124DS/DL	1,000
7	30699	ANTISCALP ROL.BRAC.	1,000
8	71356	HEX.SCREW M10X130	1,000
9	71006	A-SHAPE KEY,DIN 688	1,000
10	30440	-> 54222	1,000
11	21687	HEXAGON SCREW,DIN 9	1,000
12	37561	NUT	1,000
13	29213	R.H EXT.CUT.HEIGHT	1,000
14	24154	THREADED SHAFT	1,000
15	29544	TORSION SPRING	1,000
16	29611	CUTTING H.HOOK	1,000
17	29028	HOOK SHAFT	1,000
18	29223	REAR CUT.HEIGHT FAS	1,000
19	71205	SCREW M8	1,000
20	71263	SCREW M10X50	1,000
21	71262	SCREW M10X65	1,000
22	21036	FLAT WASHER 10.5	1,000
23	9017	NUT HM10	1,000
24	71413	SCREW HM 8-20	1,000
25	71343	SPRING WASHER A8	1,000
26	29802	ANTI-SCALP ROL.FORK	1,000
27	29219	ANTI-SCALP ROL.SHAF	1,000
28	29004	ANTI SCALP ROLLER	1,000
29	71228	BETA PIN 4	1,000
30	20552	COTTER PIN V 5X32	1,000
31	25348	WASHER	1,000
32	29073	BEARING DIA.20	1,000
33	71382	SCREW M8X65	1,000
34	29972	ELASTIC COUPLING CP	1,000
35	71297	SCREW M8X90 8,8	1,000
36	7035	FLAT WASHER	1,000
37	71332	SCREW M8X75 8.8	1,000
38	28171	BLADE BEARING	1,000
39	21553	BEARING 6305-2RS	1,000
40	20520	BOLT 8X45	1,000
41	28020	BLADE BEARING SPACR	1,000

Number	Part Number	Name	Quantity
42	30441	-> 54223	1,000
43	71420	IN.HEX SCREW M8X16	1,000
44	MZ124R	RIGHT BLADE	1,000
45	29590	ANGLEGEAR OILCAN 1L	1,000
46	29650	BLADE FIXING KIT	1,000
47	71052	SPRING WASHER,DIN 1	1,000
48	71242	HEX.SCREW HM10X35	1,000
49	30442	BLADE COUP. D.25 MM	1,000
50	71231	SCREW JM5-16	1,000
51	71451	KEY 8X7X25 C	1,000
52	MZ124L	LEFT BLADE	1,000
53	71031	LH HEXAG.SCREW,DIN	1,000
54	29988	SPLINE BORE HUB	1,000
55	29990	RING 64 SHORES	1,000
56	29989	HUB	1,000
57	71044	CAP SCREW,DIN 912-8	1,000
58	29992	PRESS. SCREW8X12	1,000
59	29991	TUBE ZR 30X4	1,000
60	28530	PROTECTION WASHER	1,000
61	71265	CIRCLIP 19	1,000
62	7330	WASHER	1,000
63	7335	WASHER	1,000
64	30408	PULLEY D.155/D.195	1,000
65	71068	HEXAGON SCREW,DIN 9	1,000
66	30393	RH ROLLER BRACKET	1,000
67	30394	LH ROLLER BRACKET	1,000
68	29537	FASTENER EXT.RH CUT	1,000
69	71373	SCREW M8X20	1,000
70	30448	CORNER GEAR FIX.BAR	1,000
71	29418	CUT.DEC.OUTPUT PLAT	1,000
72	29419	CUT.DEC.OUTPUT PLAT	1,000
73	53095	AXLE	1,000
74	25015	FRONT ROLLER	1,000
75	30401	ROLLER BRACKET	1,000
76	71264	SCREW M10X100	1,000
77	29119	TENS.SPRING BRACKET	1,000
78	29123	TENSIONNER SPACER	1,000
79	30447	CUT.DECK REINF.PLAT	1,000
80	71450	SCREW H M10-150	1,000
81	71251	SCREW M10X35	1,000
82	21114	BOLT 8X40	1,000

Number	Part Number	Name	Quantity
83	30446	CORNER GEAR BRACKET	1,000
84	29045	TENSION SPRING	1,000
85	29533	TENSIONNER ARM	1,000
86	71047	CIRCLIP DIN 471 15X	1,000
87	25112	BALL BEARING,6202 S	1,000
88	29116	TENSION PULLEY SHAF	1,000
89	29115	TENSIONNER PULLEY	1,000
90	71039	CIRCLIP,DIN 427 35X	1,000
91	20633	HEX.SCREW 8X65	1,000
92	29745	ADJUSTMENT BUSH	1,000
93	28070	SLEEVE 15/17/20	1,000
94	6169	SCREW HM8X16	1,000
95	30444	BRACKET MOBILE TENS	1,000
96	53091	CORNER WATER PLUG	1,000
97	13062	STICKER CUT-DECK	1,000
98	30409	BELT 1930 MM	1,000
99	71414	SCREW M10X30,10	1,000
100	71415	SCREW M10-30 L.	1,000
101	30898	BLADE FIX.WASHER	1,000
102	30867	CUT.DECK H124DS CPL	1,000
104	26157	SET OF 8 SHEARBOLTS	1,000
105	26357	100 SHEAR BOLTS	1,000
106	37499	1/4 ROTATION LOCK	1,000
107	37500	1/4 ROTATION WASHER	1,000
108	37501	1/4 ROTATION SCREW	1,000
109	37488	MOB.ELEM.PROTECTION	1,000
110	37997	SCREW HM6-16 8.8	1,000
111	28137	CATCH BOLT SP.SCREW	1,000
112	71201	NUT M6	1,000

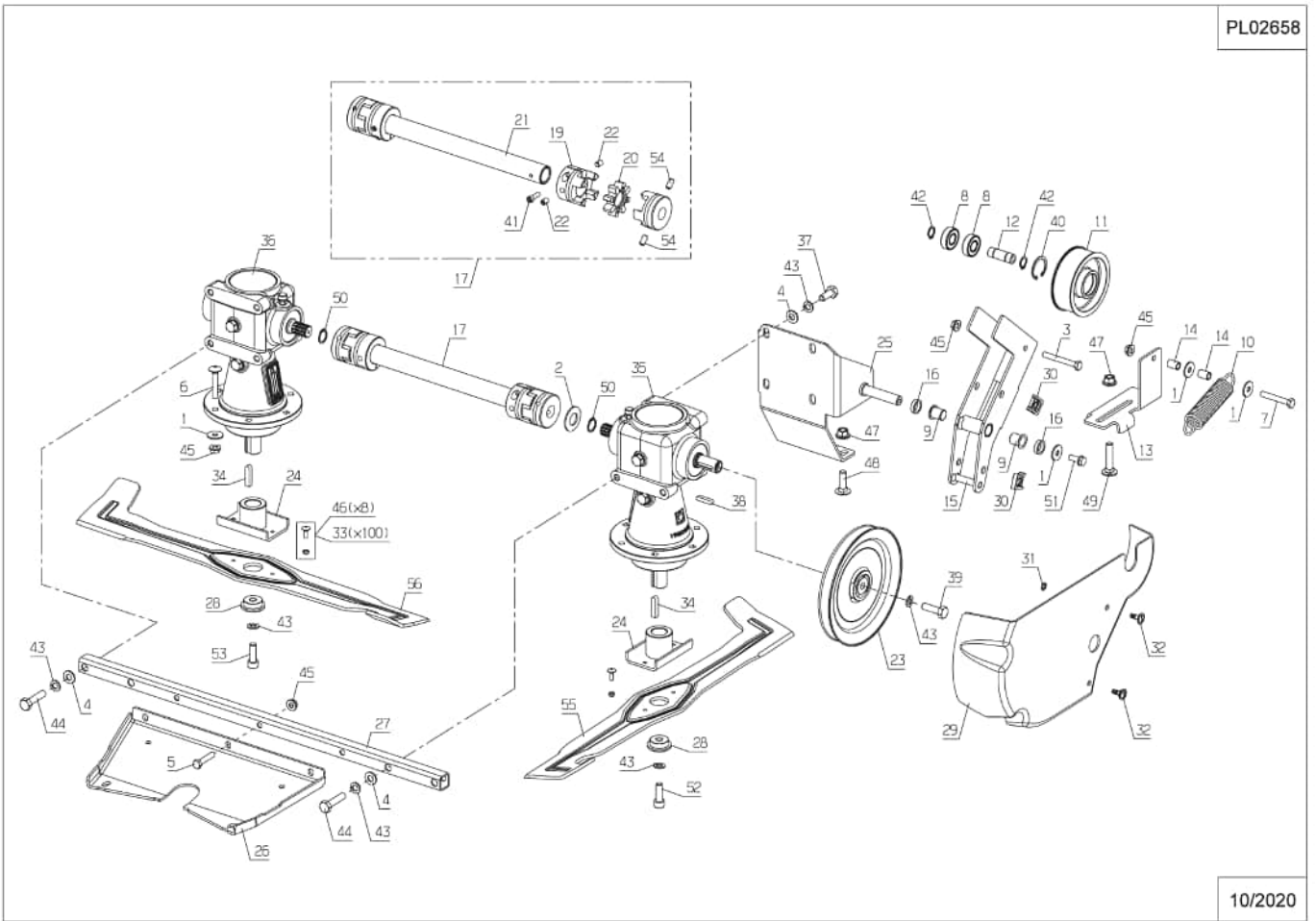


Number	Part Number	Name	Quantity
5	30622	OIL DRAIN PLUG	1,000
6	30613	OIL DR. PLUG GASKET	1,000
7	30614	SCREW	1,000
8	30615	NUT	1,000
9	34079	BEARING	1,000
10	34076	BEARING	1,000
11	30611	T OUT PUT SHAFT	1,000
12	30612	OUTPUT SHAFT	1,000
13	30620	LIP SEAL	1,000
15	30621	KEY	1,000
16	30616	CIRCLIP	1,000
17	30619	LIP SEAL	1,000
18	30610	T INPUT SHAFT	1,000
19	30609	L INPUT SHAFT	1,000
20	30623	SHIM	1,000



Number	Part Number	Name	Quantity
1	7035	FLAT WASHER	1,000
2	7330	WASHER	1,000
3	20633	HEX.SCREW 8X65	1,000
4	21036	FLAT WASHER 10.5	1,000
5	21114	BOLT 8X40	1,000
6	21513	BOLT M8X50	1,000
7	21687	HEXAGON SCREW,DIN 9	1,000
8	25112	BALL BEARING,6202 S	1,000
9	28070	SLEEVE 15/17/20	1,000
10	29045	TENSION SPRING	1,000
11	29115	TENSIONNER PULLEY	1,000
12	29116	TENSION PULLEY SHAF	1,000
13	29119	TENS.SPRING BRACKET	1,000
14	29123	TENSIONNER SPACER	1,000
15	29533	TENSIONNER ARM	1,000
16	29745	ADJUSTMENT BUSH	1,000
17	29972	ELASTIC COUPLING CP	1,000
18	29988	SPLINE BORE HUB	1,000
19	29989	HUB	1,000
20	29990	RING 64 SHORES	1,000
21	29991	TUBE ZR 30X4	1,000
22	29992	PRESS. SCREW8X12	1,000
23	30408	PULLEY D.155/D.195	1,000
24	30442	BLADE COUP. D.25 MM	1,000
25	30444	BRACKET MOBILE TENS	1,000
26	30447	CUT.DECK REINF.PLAT	1,000
27	30448	CORNER GEAR FIX.BAR	1,000
28	30898	BLADE FIX.WASHER	1,000
29	37488	MOB.ELEM.PROTECTION	1,000
30	37499	1/4 ROTATION LOCK	1,000
31	37500	1/4 ROTATION WASHER	1,000
32	37501	1/4 ROTATION SCREW	1,000
33	26357	100 SHEAR BOLTS	1,000
34	38031	KEY C 8X7X35	1,000
35	54222	CORNER GEAR LEFT	1,000
36	54223	CORNER GEAR RIGHT	1,000
37	70086	HEXAGON SCREW,DIN 9	1,000
38	71006	A-SHAPE KEY,DIN 688	1,000
39	71031	LH HEXAG.SCREW,DIN	1,000
40	71039	CIRCLIP,DIN 427 35X	1,000
41	71044	CAP SCREW,DIN 912-8	1,000

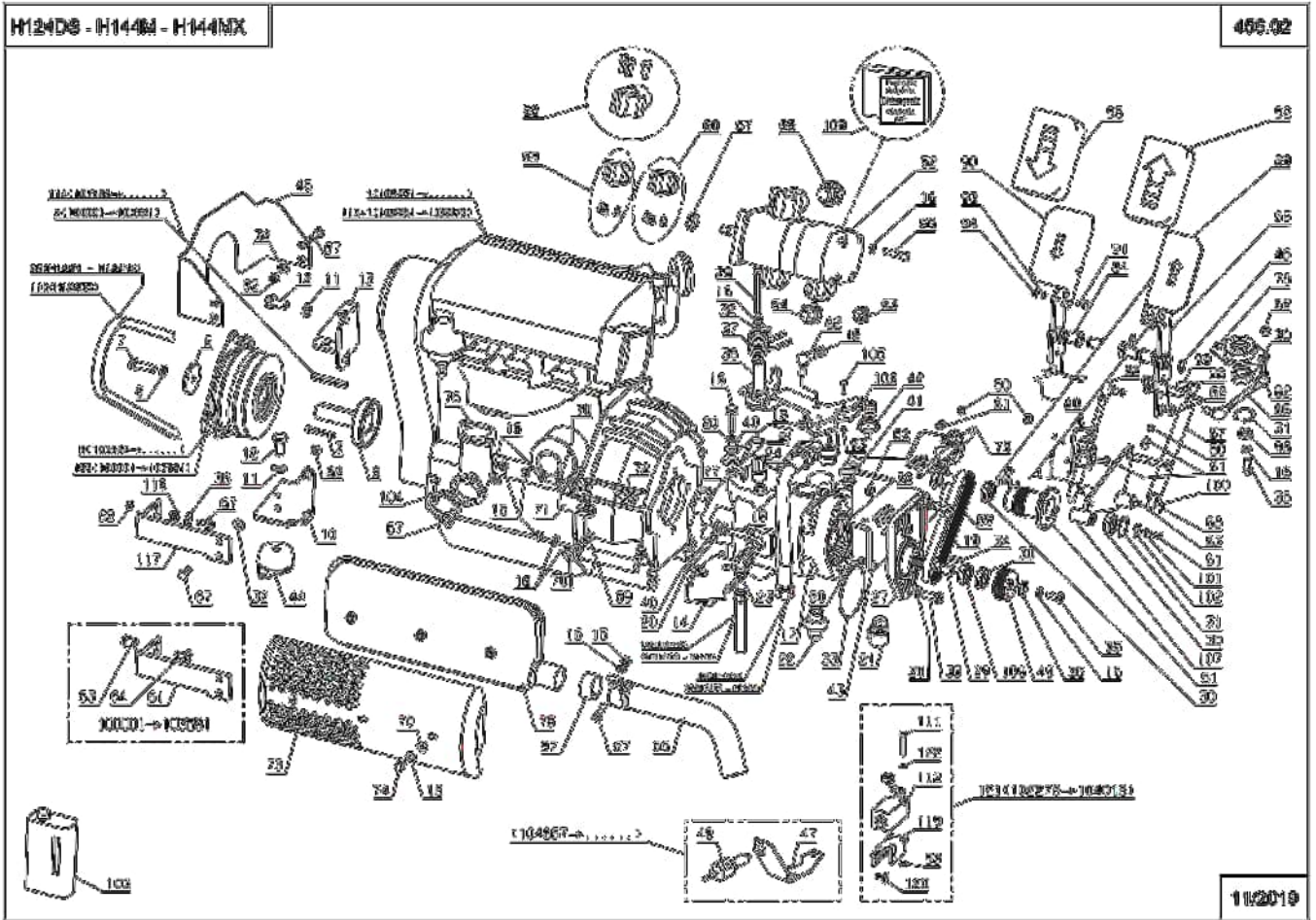
Number	Part Number	Name	Quantity
42	71047	CIRCLIP DIN 471 15X	1,000
43	71052	SPRING WASHER,DIN 1	1,000
44	71198	HEX.SCREW HM10X45	1,000
45	71205	SCREW M8	1,000
46	26157	SET OF 8 SHEARBOLTS	1,000
47	71249	SCREW M10	1,000
48	71251	SCREW M10X35	1,000
49	71263	SCREW M10X50	1,000
50	71265	CIRCLIP 19	1,000
51	71413	SCREW HM 8-20	1,000
52	71414	SCREW M10X30,10	1,000
53	71415	SCREW M10-30 L.	1,000
54	71420	IN.HEX SCREW M8X16	1,000
55	MZ124L	LEFT BLADE	1,000
56	MZ124R	RIGHT BLADE	1,000



Number	Part Number	Name	Quantity
1	30981	ENGINE FOCS 1003	1,000
2	71192	KEY	1,000
3	71342	SCREW M6X45 8.8	1,000
5	37042	CLUTCH GT 2.5	1,000
6	7341	FLAT WASHER 10,3X49	1,000
7	71031	LH HEXAG.SCREW,DIN	1,000
8	71052	SPRING WASHER,DIN 1	1,000
9	36075	CLUTCH SHAFT	1,000
10	29108	ENGIN.BRACK.PDF2 R	1,000
11	71325	SPRING WASHER A12	1,000
12	71324	H.SCREW M12X25 8,8	1,000
13	29109	ENGI.BRACK.PDF2 FRO	1,000
14	29110	ENGINE BRACKET PDF1	1,000
15	2020	NUT HM8	1,000
16	71343	SPRING WASHER A8	1,000
17	30019	-> 54342	1,000
18	71242	HEX.SCREW HM10X35	1,000
19	9061	BOLT 8X30	1,000
21	29266	CJM ADAPTER	1,000
22	29454	ADAPTER AJM	1,000
23	29458	ADAPTER CJM	1,000
24	29452	ADAPTER CJM	1,000
25	29309	T HOSE ENGINE/PUMP	1,000
26	29315	DRAIN HOSE PUMP>TAN	1,000
27	30432	TRANS.PUMP FLANGE	1,000
28	71455	SCRW.UHUNC 5/16"-3"	1,000
29	29391	PULLEY SHAFT	1,000
30	9022	BALL BEARING 6002	1,000
31	21256	CIRCLIP	1,000
32	7335	WASHER	1,000
33	30020	O-RING 3"1/4	1,000
34	20606	KEY 5X5X20	1,000
35	71413	SCREW HM 8-20	1,000
36	7035	FLAT WASHER	1,000
37	29387	TORSION SPRING	1,000
38	38949	STEERING ROD	1,000
39	71454	SCRW.HUNC 3/8"1"1/4	1,000
40	21036	FLAT WASHER 10.5	1,000
41	9017	NUT HM10	1,000
42	29386	ECCENTRIC SHAFT	1,000
43	30080	DRIVE SUPPORT	1,000

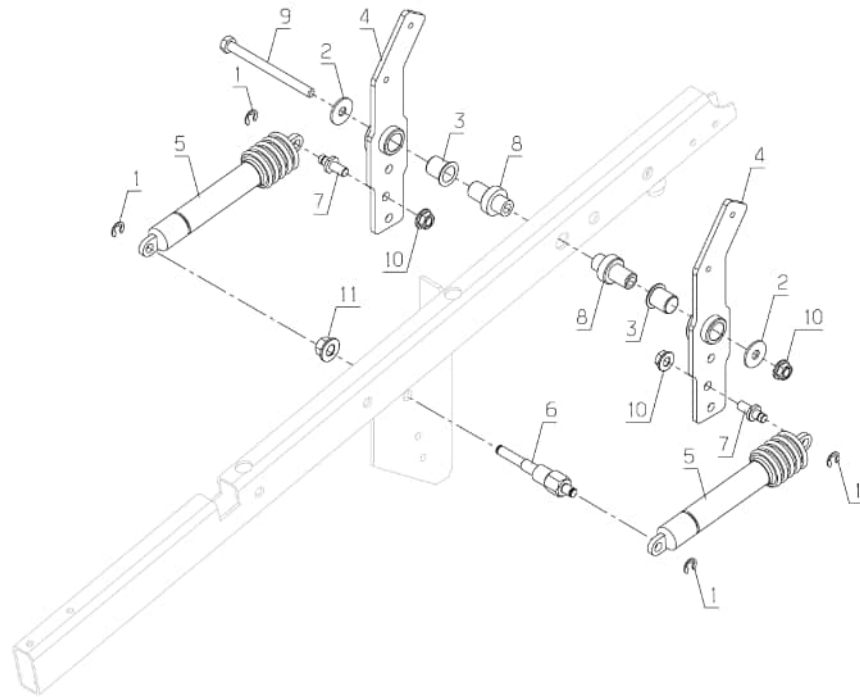
Number	Part Number	Name	Quantity
44	54643	ENGINE BRACKET FIX.	1,000
45	30115	PROTECTION PLATE	1,000
46	71047	CIRCLIP DIN 471 15X	1,000
47	51633	BRACKET	1,000
48	30234	PUSH SWITCH	1,000
49	30139	DRIVE PULLEY POLY	1,000
50	71201	NUT M6	1,000
51	30140	FAN FLANGE POLY	1,000
52	29438	DOUBLE GEAR PUMP	1,000
53	29456	ADAPTER AJM	1,000
54	29466	ADAPTER AJM	1,000
55	29467	ADAPTER AJM	1,000
56	22032	SCREW M8X35	1,000
57	29859	PUMP NUT	1,000
58	29931	CORNER FLANGE 3/4'	1,000
59	29932	CORNER FLANGE 1/2'	1,000
60	29933	CORNER FLANGE 3/8'	1,000
61	29121	CLUTCH STOP	1,000
62	71205	SCREW M8	1,000
63	29546	HEXAGONAL CLUTCH	1,000
64	9071	SCREW M8X20	1,000
65	38375	BELT 1790 MM	1,000
66	29741	EXHAUST JOINING	1,000
67	9056	BOLT 8X25	1,000
68	30209	BELT POLY V 425	1,000
69	6169	SCREW HM8X16	1,000
71	29444	MUFFLER FAST.LUG	1,000
73	29106	EXT MUFFLER SCREEN	1,000
74	71316	SCREW HM8X10	1,000
75	29102	MUFFLER	1,000
76	29439	EXHAUST INTERFACE .	1,000
77	30549	KEY	1,000
78	29925	MOVEMENT PLATE	1,000
79	29392	PEDAL CABLE	1,000
80	29396	PEDAL CABLE BRACKET	1,000
81	37997	SCREW HM6-16 8.8	1,000
82	28234	KNUCKLE M8	1,000
83	29556	-> 52180	1,000
84	28070	SLEEVE 15/17/20	1,000
85	29913	PEDAL PLATE	1,000
86	25555	PRIMARY CONTROL ROD	1,000

Number	Part Number	Name	Quantity
87	52180	SHOCK ABS.KIT TA	1,000
88	5602	ANNEAU TRUARC	1,000
89	28131	FORWARD PEDAL	1,000
90	28139	REVERSE PEDAL	1,000
91	71231	SCREW JM5-16	1,000
92	28167	COVERING FORW.PEDAL	1,000
93	37561	NUT	1,000
94	25900	PROTECTIVE COWL	1,000
95	28188	COVERING REV. PEDAL	1,000
96	71126	FLAT WASHER,DIN 734	1,000
97	30137	MUFFLER LEAF METAL	1,000
98	29964	KNUCKLE CASING AMT	1,000
99	29965	CHOCK ABSORB.KNUCKL	1,000
100	29966	CHOCK ABSORB.FORK	1,000
101	71049	SPRING WASHER,DIN 1	1,000
102	22029	FLAT WASHER 6,5	1,000
103	29591	-> 54934	1,000
104	29850	FOCS EXHAUST GASKET	1,000
105	2009	BOLT M5X16	1,000
106	38879	DEAD POINT CAM	1,000
107	30049	SPACER 15-20-35	1,000
108	29243	OIL SEAL 17X26	1,000
109	30641	GASKETS SET	1,000
110	30409	BELT 1930 MM	1,000
111	5399	BOLT M5X40	1,000
112	29257	SAFETY SWITCH	1,000
113	30594	ENGINE WIRING	1,000
114	36426	KEY B6.35	1,000
116	37482	CLUTCH SPACER	1,000
117	36134	CLUTCH STOP	1,000
119	38809	SENSOR BRACKET	1,000
120	21608	SCREW 6X16 DIN	1,000
121	36948	TORSION SPRING	1,000
122	20564	WASHER 5,5	1,000
123	29340	T HOSE A6/LIFT RIGH	1,000
155	37055	BLADE CLUTCH KIT	1,000



Number	Part Number	Name	Quantity
1	5602	ANNEAU TRUARC	1,000
2	7035	FLAT WASHER	1,000
3	28070	SLEEVE 15/17/20	1,000
4	29913	PEDAL PLATE	1,000
5	51277	DAMPER	1,000
6	51849	AXLE	1,000
7	51888	AXLE	1,000
8	53408	PEDALE SHAFT	1,000
9	71124	HEXAG.SCREW HM8X100	1,000
10	71205	SCREW M8	1,000
11	71249	SCREW M10	1,000

PL02688



06/2022

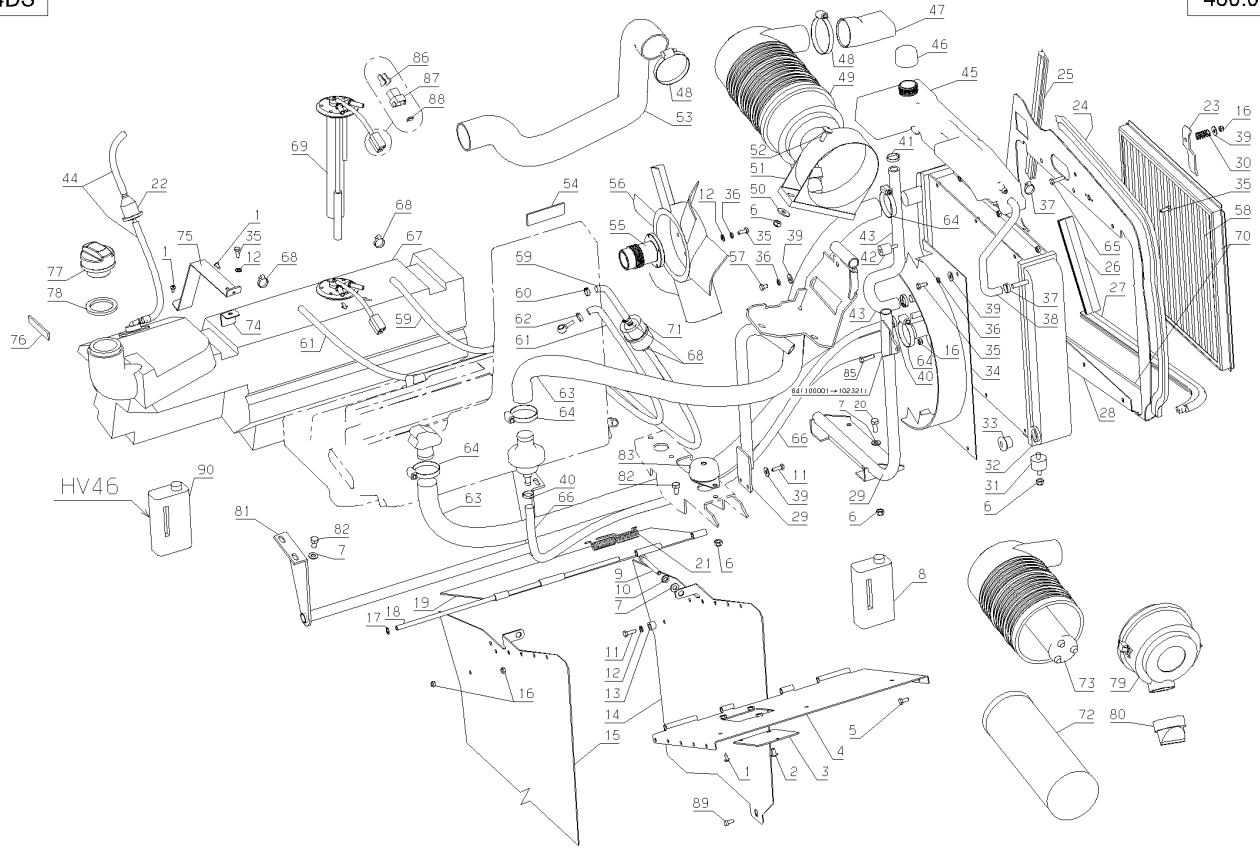
Number	Part Number	Name	Quantity
1	71111	TAPPING SCREW,DIN 7	1,000
2	71142	SCREW M6X12	1,000
3	29628	FLAP FOR OIL DRAIN	1,000
4	29371	UPPER SIDE	1,000
5	71255	SCREW TH M6X14	1,000
6	71205	SCREW M8	1,000
7	7335	WASHER	1,000
8	30149	COOLANT (2L)	1,000
9	20633	HEX.SCREW 8X65	1,000
10	71343	SPRING WASHER A8	1,000
11	20507	BOLT HM 6X20	1,000
12	2235	WASHER A6.4	1,000
13	25012	RUBBER WASHER	1,000
14	29370	CHANNEL SIDE	1,000
15	29355	CHANNEL SIDE	1,000
16	71201	NUT M6	1,000
17	7377	TRUARC COLLAR DIN 7	1,000
18	29380	UPPER FLAP SHAFT	1,000
19	29335	UPPER FLAP	1,000
20	71413	SCREW HM 8-20	1,000
21	40069	DEFLECTOR SPRING	1,000
22	25266	FILTER FUEL	1,000
23	30273	RADIATOR GRID SCREW	1,000
24	29846	IMPERV.SLEEVE 800MM	1,000
25	29844	-> 29846	1,000
26	29842	-> 29846	1,000
27	29845	-> 29846	1,000
28	29841	RADIATOR PLATE	1,000
29	29538	RADIATOR BRACKET	1,000
30	24647	SPRING	1,000
31	29210	LOWER SILENTBLOC	1,000
32	29103	LOMBARDINI RADIATOR	1,000
33	29195	RADIAT.EMPTYING CAP	1,000
34	29832	RADIATOR VOLUTE	1,000
35	37997	SCREW HM6-16 8.8	1,000
36	71049	SPRING WASHER,DIN 1	1,000
37	28323	HOSE HAND CLIP	1,000
38	29139	WATER INPUT HOSE 8	1,000
39	21270	WASHER 6,4	1,000
40	29285	CLAMP 16,5	1,000
41	29284	CLAMP 20,5	1,000

Number	Part Number	Name	Quantity
42	29207	UPPER SILENTBLOC	1,000
43	29140	COMPENSAT.TANK HOSE	1,000
44	30281	FUEL HOSE 1400 MM	1,000
45	29142	COMPENSATION TANK	1,000
46	29200	COMPENSAT.TANK CAP	1,000
47	29746	HOSE SUCTION FILTER	1,000
48	29566	HOSE CLAMP 56 MM	1,000
49	29036	ENGINE AIR FILTER	1,000
50	7035	FLAT WASHER	1,000
51	29449	AIR FILTER RING	1,000
52	5347	SCREW 8X25	1,000
53	29754	AIR FILT.SUCT.HOSE	1,000
54	13151	LABEL HYDRO TANK	1,000
55	30140	FAN FLANGE POLY	1,000
56	29483	FAN HELIX	1,000
57	71355	HEX.SCREW M6X10	1,000
58	30272	RADIATOR GRID	1,000
59	29565	HOSE OUTPUT ENGINE	1,000
60	29287	CLAMP 10	1,000
62	28370	HOSE HAND CLIP	1,000
63	29137	WATER HOSE 30	1,000
64	29283	HOSE CLAMP 38MM	1,000
65	20693	HEX.SCREW HM6X25	1,000
66	29141	THERMIC OUTPUT HOSE	1,000
67	30740	GASOIL TANK	1,000
68	37002	COLLAR 10-18	1,000
69	30899	FUEL GAUGE	1,000
70	30270	KIT RADIATOR FOAM 2	1,000
71	30119	FUEL FILTER	1,000
72	29644	MAIN AIR FILTER	1,000
73	29645	SAFETY AIR FILTER	1,000
74	29557	TANK STOP	1,000
75	29188	DIESEL TANK BRACKET	1,000
76	13124	LABEL TANK DIESEL	1,000
77	29934	TANK CAP	1,000
79	29834	COVERING CAP	1,000
80	29833	EVACUATION VALVE	1,000
81	29805	HYDR.TANK FRONT BRA	1,000
82	6169	SCREW HM8X16	1,000
83	54643	ENGINE BRACKET FIX.	1,000
84	30749	CENTR.COVER BOW KIT	1,000

Number	Part Number	Name	Quantity
85	71380	SCREW TH M6X35	1,000
86	30178	DEUTSCH MALE THIMBL	1,000
87	30181	4WAYS FEM.CONNECTOR	1,000
88	30198	KEY4WAYS FEM.CONNEC	1,000
89	71423	SCREW IN.HEX.M10X12	1,000
90	29592	2L HV46 OIL CAN	1,000

H124DS

460.03



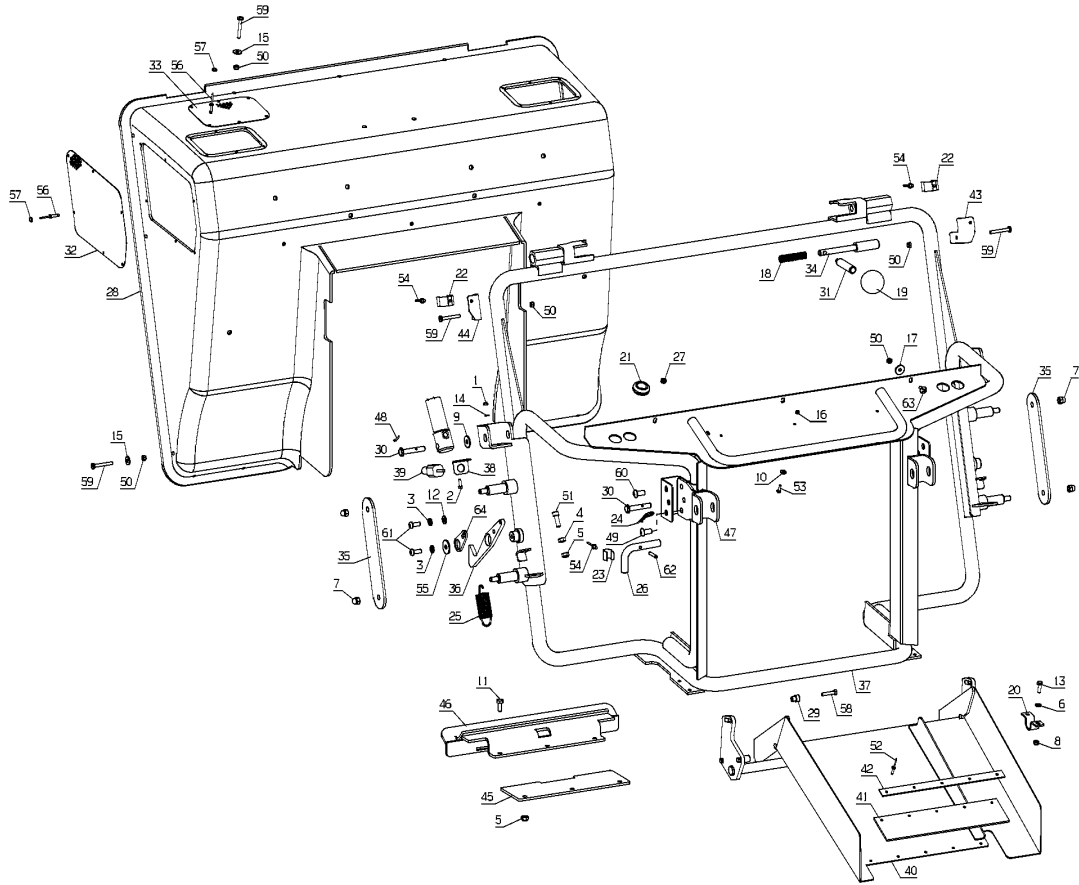
12/2007

Number	Part Number	Name	Quantity
1	37561	NUT	1,000
2	2009	BOLT M5X16	1,000
3	71343	SPRING WASHER A8	1,000
4	2020	NUT HM8	1,000
5	71205	SCREW M8	1,000
6	2235	WASHER A6.4	1,000
7	71374	CAP NUT M10	1,000
8	71201	NUT M6	1,000
9	7035	FLAT WASHER	1,000
10	7094	FLAT WASHER	1,000
11	71413	SCREW HM 8-20	1,000
12	7335	WASHER	1,000
13	20507	BOLT HM 6X20	1,000
14	20564	WASHER 5,5	1,000
15	21270	WASHER 6,4	1,000
16	21525	NUT HM4	1,000
17	22029	FLAT WASHER 6,5	1,000
18	22457	CLUTCH SPRING	1,000
19	25560	LEVER PROTECTIVE	1,000
20	25711	STRAP	1,000
21	25804	RUBBER FUNNEL 28	1,000
22	25878	CUP 31/36	1,000
23	25886	17/20 CUP	1,000
24	27066	PIN	1,000
25	28076	TENSION SPRING	1,000
26	28082	LINK AXLE	1,000
27	28317	RUBBER FUNEL DIA.5	1,000
28	29358	FIX GRASS BOX	1,000
29	29359	VERTICAL FLAP STOP	1,000
30	29361	SHAFT FLAP JACK	1,000
31	29372	BOX HANDLE	1,000
32	29424	FIX.G.BOX SIDE GRID	1,000
33	29425	UPPER SCREEN FIX GB	1,000
34	29426	GRASSBOX SHAFT	1,000
35	29553	ARM BOND PLATE	1,000
36	29655	HOOK	1,000
37	29904	FIXED GRASSBOX	1,000
38	30082	SWITCH SUPPORT	1,000
39	30096	PUSH SWITCH	1,000
40	30166	FLAPPER	1,000
41	30167	RUBBER FLAPPER	1,000

Number	Part Number	Name	Quantity
42	30168	FLAPPER PLATE	1,000
43	30268	RAM FIXING GRASBOX	1,000
44	30269	RAM FIXING GRASBOX	1,000
45	30725	PLATE LOCK BOX BRAC	1,000
46	30726	BRACKET	1,000
47	30729	YOKE	1,000
48	71018	V3,2 SPLIT PIN	1,000
49	39526	SCREW FHC/90 M10X20	1,000
51	71090	-> 35735	1,000
52	71112	DIA.4X18 STAR RIVET	1,000
53	71209	SCREW HM4X16	1,000
54	71241	NAIL RIVET 4,8X10,5	1,000
55	71311	WASHER 8X30X2,5	1,000
56	71327	NAIL RIVET 4X21	1,000
57	71328	NAIL RIVET CAP	1,000
58	71333	H.SCREW M6X30 8.8	1,000
59	71337	SCREW M6X45 4.8	1,000
60	71354	SCREW B HC M10X20	1,000
61	71373	SCREW M8X20	1,000
62	71390	SPIRAL PIN 5-30	1,000
63	71422	RL M6X20 SCREW	1,000
64	29656	ADJUSTEMENT ROD	1,000

H124DS

465.03

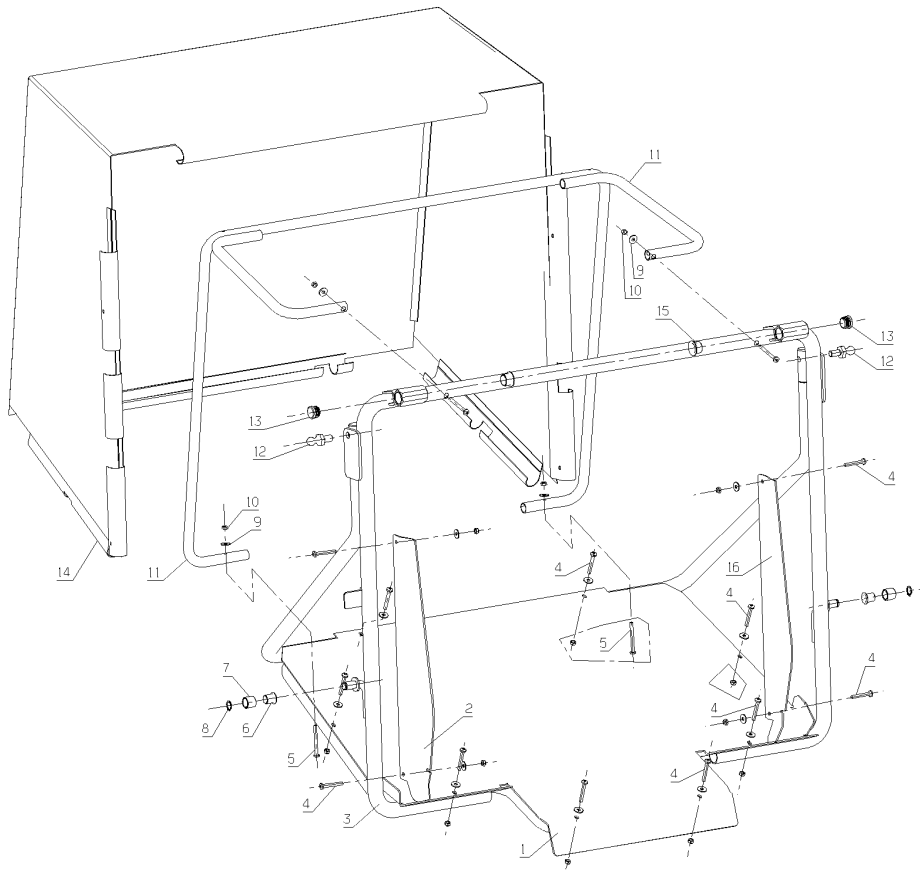


11/2011

Number	Part Number	Name	Quantity
1	30717	COLLECT. BOTTOM ALU	1,000
2	29664	RH IMPERVIOUS PLATE	1,000
3	30135	GRASSBOX BAG	1,000
4	71337	SCREW M6X45 4.8	1,000
5	71358	SCREW CB HM 6X50	1,000
6	28070	SLEEVE 15/17/20	1,000
7	29579	FLAP HOOK BUSH	1,000
8	71047	CIRCLIP DIN 471 15X	1,000
9	21270	WASHER 6,4	1,000
10	71201	NUT M6	1,000
11	29907	GRASSBAG FRAME	1,000
12	29929	MALE SOCKET DIA 12	1,000
13	29995	CAP DIA 25	1,000
14	29716	GRASSBAG	1,000
15	29427	SLEEVE 20/23/21	1,000
16	29663	LH IMPERVIOUS PLATE	1,000

H124DS

501.02



12/2005