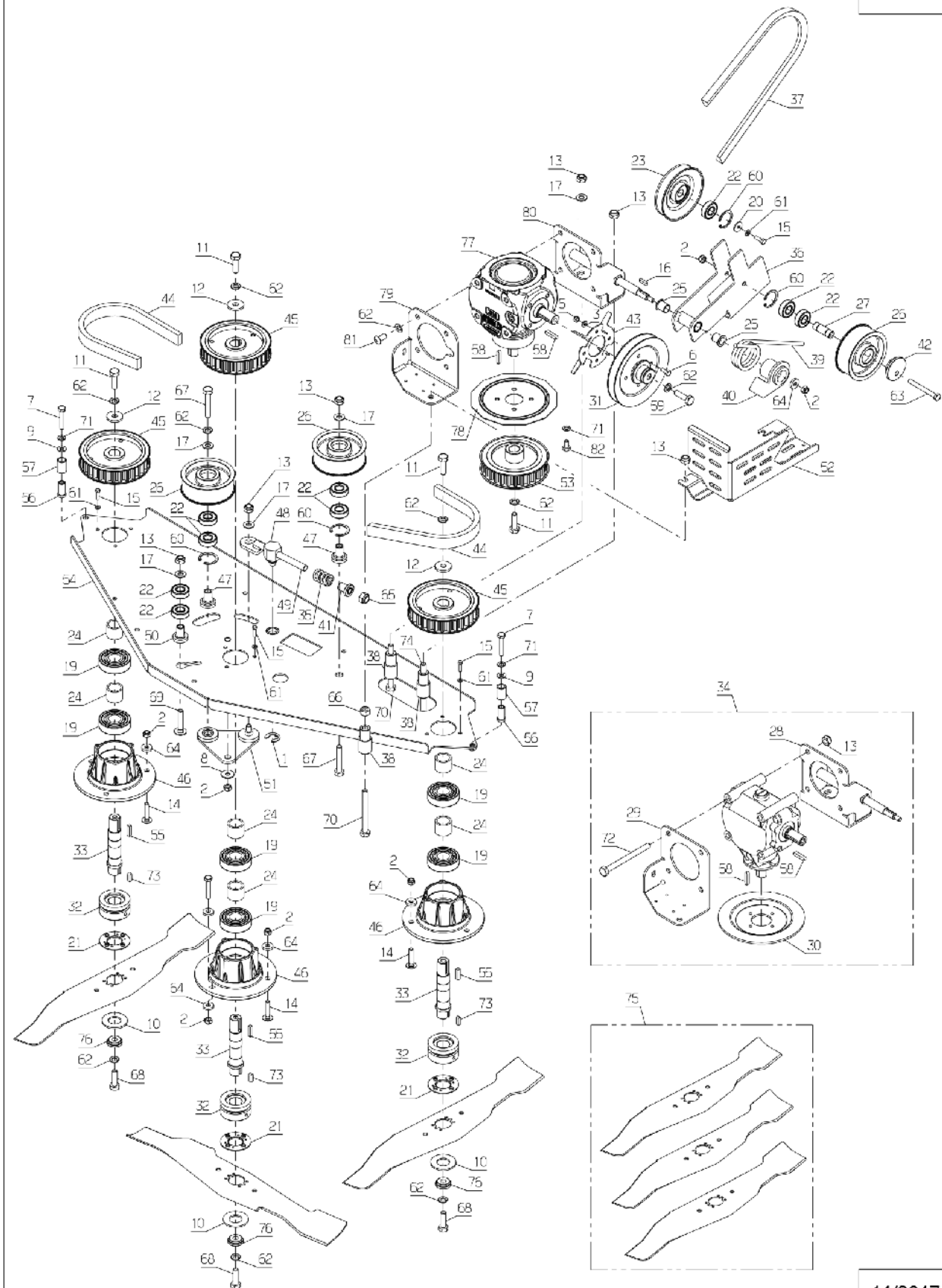


| Number | Part Number | Name                | Quantity |
|--------|-------------|---------------------|----------|
| 1      | 1513        | CIRCLIP 15          | 1,000    |
| 2      | 71205       | SCREW M8            | 1,000    |
| 3      | 2235        | WASHER A6.4         | 1,000    |
| 4      | 5071        | BOLT HM 5X20        | 1,000    |
| 5      | 71201       | NUT M6              | 1,000    |
| 6      | 37997       | SCREW HM6-16 8.8    | 1,000    |
| 7      | 5340        | HEXAGON SCREW,DIN 9 | 1,000    |
| 8      | 7035        | FLAT WASHER         | 1,000    |
| 9      | 7335        | WASHER              | 1,000    |
| 10     | 37943       | BELLEVILLE WASHER   | 1,000    |
| 11     | 7357        | -> 71031            | 1,000    |
| 12     | 9009        | WASHER              | 1,000    |
| 13     | 9017        | NUT HM10            | 1,000    |
| 14     | 9057        | SQUARE BOLT,DIN 603 | 1,000    |
| 15     | 20507       | BOLT HM 6X20        | 1,000    |
| 16     | 20606       | KEY 5X5X20          | 1,000    |
| 17     | 21036       | FLAT WASHER 10.5    | 1,000    |
| 18     | 21481       | WASHER              | 1,000    |
| 19     | 21553       | BEARING 6305-2RS    | 1,000    |
| 20     | 22029       | FLAT WASHER 6,5     | 1,000    |
| 21     | 38023       | SHEAR WASHER        | 1,000    |
| 22     | 25112       | BALL BEARING,6202 S | 1,000    |
| 23     | 26156       | BELT TIGHTENER PULL | 1,000    |
| 24     | 28020       | BLADE BEARING SPACR | 1,000    |
| 25     | 28070       | SLEEVE 15/17/20     | 1,000    |
| 26     | 29115       | TENSIONNER PULLEY   | 1,000    |
| 27     | 29116       | TENSION PULLEY SHAF | 1,000    |
| 28     | 30902       | REAR CORN.GEAR BRAC | 1,000    |
| 29     | 30903       | FRONT CORN.GEAR BRA | 1,000    |
| 30     | 30919       | CORNER GEAR COVER   | 1,000    |
| 31     | 30926       | PULLEY 140          | 1,000    |
| 32     | 30932       | BLADE COUPLING D.25 | 1,000    |
| 33     | 30935       | SHAFT               | 1,000    |
| 34     | 30940       | L CORNER GEAR       | 1,000    |
| 35     | 30945       | SPRING              | 1,000    |
| 36     | 30959       | MOB.TENS.ARM        | 1,000    |
| 37     | 38375       | BELT 1790 MM        | 1,000    |
| 38     | 30961       | SPACER              | 1,000    |
| 39     | 30968       | SPRING              | 1,000    |
| 40     | 30970       | BELT TENSIONNER     | 1,000    |
| 41     | 30985       | SPACER              | 1,000    |

| Number | Part Number | Name                | Quantity |
|--------|-------------|---------------------|----------|
| 42     | 30994       | SPRING STOP         | 1,000    |
| 43     | 30999       | COOLING FAN         | 1,000    |
| 44     | 37244       | BELT                | 1,000    |
| 45     | 37259       | PULLEY STS 14M 30D  | 1,000    |
| 46     | 37260       | PULLEY BEARING      | 1,000    |
| 47     | 37274       | AXLE                | 1,000    |
| 48     | 37445       | AXLE                | 1,000    |
| 49     | 37454       | TENSIONNER COMPLETE | 1,000    |
| 50     | 37519       | AXLE                | 1,000    |
| 51     | 37526       | TENSIONNER PLATE    | 1,000    |
| 52     | 37554       | PROTECTION PLATE    | 1,000    |
| 53     | 37746       | PULLEY STS 14M 28D  | 1,000    |
| 54     | 37773       | PLATE               | 1,000    |
| 55     | 37942       | KEY B 6X6X24        | 1,000    |
| 56     | 37958       | SPACER              | 1,000    |
| 57     | 37960       | BUSH                | 1,000    |
| 58     | 71006       | A-SHAPE KEY,DIN 688 | 1,000    |
| 59     | 71031       | LH HEXAG.SCREW,DIN  | 1,000    |
| 60     | 71039       | CIRCLIP,DIN 427 35X | 1,000    |
| 61     | 71049       | SPRING WASHER,DIN 1 | 1,000    |
| 62     | 71052       | SPRING WASHER,DIN 1 | 1,000    |
| 63     | 71067       | HEXAG.SCREW HM8X75  | 1,000    |
| 64     | 71126       | FLAT WASHER,DIN 734 | 1,000    |
| 65     | 71157       | NUT AUTOFR.HM12     | 1,000    |
| 66     | 71158       | HEXAGONAL NUT HM10  | 1,000    |
| 67     | 71210       | SCREW HM10-60,8.8   | 1,000    |
| 68     | 71242       | HEX.SCREW HM10X35   | 1,000    |
| 69     | 71263       | SCREW M10X50        | 1,000    |
| 70     | 71289       | H.SCREW M10X100 8,8 | 1,000    |
| 71     | 71343       | SPRING WASHER A8    | 1,000    |
| 72     | 71350       | HEX.SCREW M10X120   | 1,000    |
| 73     | 71400       | KEY                 | 1,000    |
| 74     | 71450       | SCREW H M10-150     | 1,000    |
| 75     | MZ144       | BLADE FOR H144M     | 1,000    |
| 76     | 37944       | BLADE WASHER        | 1,000    |
| 77     | 50171       | CORNER GEAR A144M   | 1,000    |
| 78     | 50172       | COVER CORNER GEAR   | 1,000    |
| 79     | 39895       | FRONT PLATE         | 1,000    |
| 80     | 39896       | REAR PLATE          | 1,000    |
| 81     | 71354       | SCREW B HC M10X20   | 1,000    |
| 82     | 6169        | SCREW HM8X16        | 1,000    |

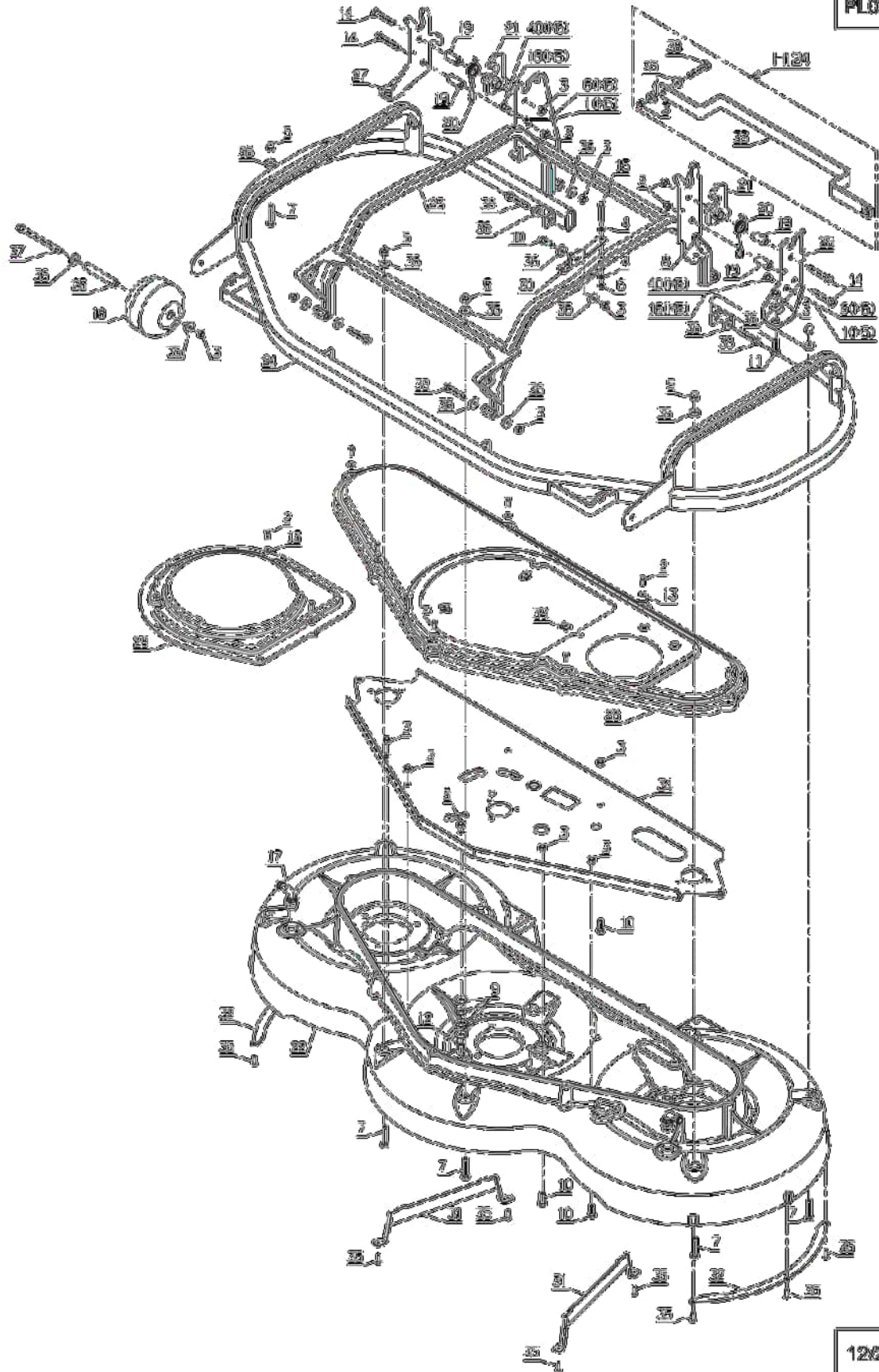
PL01502



11/2017

| Number | Part Number | Name                | Quantity |
|--------|-------------|---------------------|----------|
| 1      | 37561       | NUT                 | 1,000    |
| 2      | 2009        | BOLT M5X16          | 1,000    |
| 3      | 71205       | SCREW M8            | 1,000    |
| 4      | 2235        | WASHER A6.4         | 1,000    |
| 5      | 5043        | NUT                 | 1,000    |
| 6      | 71201       | NUT M6              | 1,000    |
| 7      | 5340        | HEXAGON SCREW,DIN 9 | 1,000    |
| 8      | 6169        | SCREW HM8X16        | 1,000    |
| 9      | 7035        | FLAT WASHER         | 1,000    |
| 10     | 9056        | BOLT 8X25           | 1,000    |
| 11     | 9061        | BOLT 8X30           | 1,000    |
| 12     | 20633       | HEX.SCREW 8X65      | 1,000    |
| 13     | 21481       | WASHER              | 1,000    |
| 14     | 21687       | HEXAGON SCREW,DIN 9 | 1,000    |
| 15     | 22456       | SCREW HM 6X40       | 1,000    |
| 16     | 24154       | THREADED SHAFT      | 1,000    |
| 17     | 53091       | CORNER WATER PLUG   | 1,000    |
| 18     | 29004       | ANTI SCALP ROLLER   | 1,000    |
| 19     | 29028       | HOOK SHAFT          | 1,000    |
| 20     | 29544       | TORSION SPRING      | 1,000    |
| 21     | 29611       | CUTTING H.HOOK      | 1,000    |
| 22     | 38734       | TAPPED CUT.DECK144M | 1,000    |
| 23     | 30901       | CUTTING DECK HOOP   | 1,000    |
| 24     | 30905       | CUT.DECK TUBE       | 1,000    |
| 25     | 30911       | ROLLER SPACER       | 1,000    |
| 26     | 30912       | FASTENER EXT.L.CUT. | 1,000    |
| 27     | 30913       | FASTENER EXT.R.CUT. | 1,000    |
| 28     | 30918       | BOT.CUT DECK COVER  | 1,000    |
| 29     | 30920       | UP.CUT.DECK COVER   | 1,000    |
| 30     | 30967       | CORNER GEAR BRACKET | 1,000    |
| 31     | 30979       | PLATE               | 1,000    |
| 32     | 30987       | PROTECTION PLATE    | 1,000    |
| 33     | 30998       | FLAPPER BRACKET     | 1,000    |
| 34     | 37773       | PLATE               | 1,000    |
| 35     | 71022       | SCREW FHC/90 M5X20  | 1,000    |
| 36     | 71126       | FLAT WASHER,DIN 734 | 1,000    |
| 37     | 71171       | SCREW               | 1,000    |
| 38     | 71223       | SCREW M8X50         | 1,000    |
| 39     | 71403       | NUT                 | 1,000    |
| 40     | 28137       | CATCH BOLT SP.SCREW | 1,000    |

PL01497

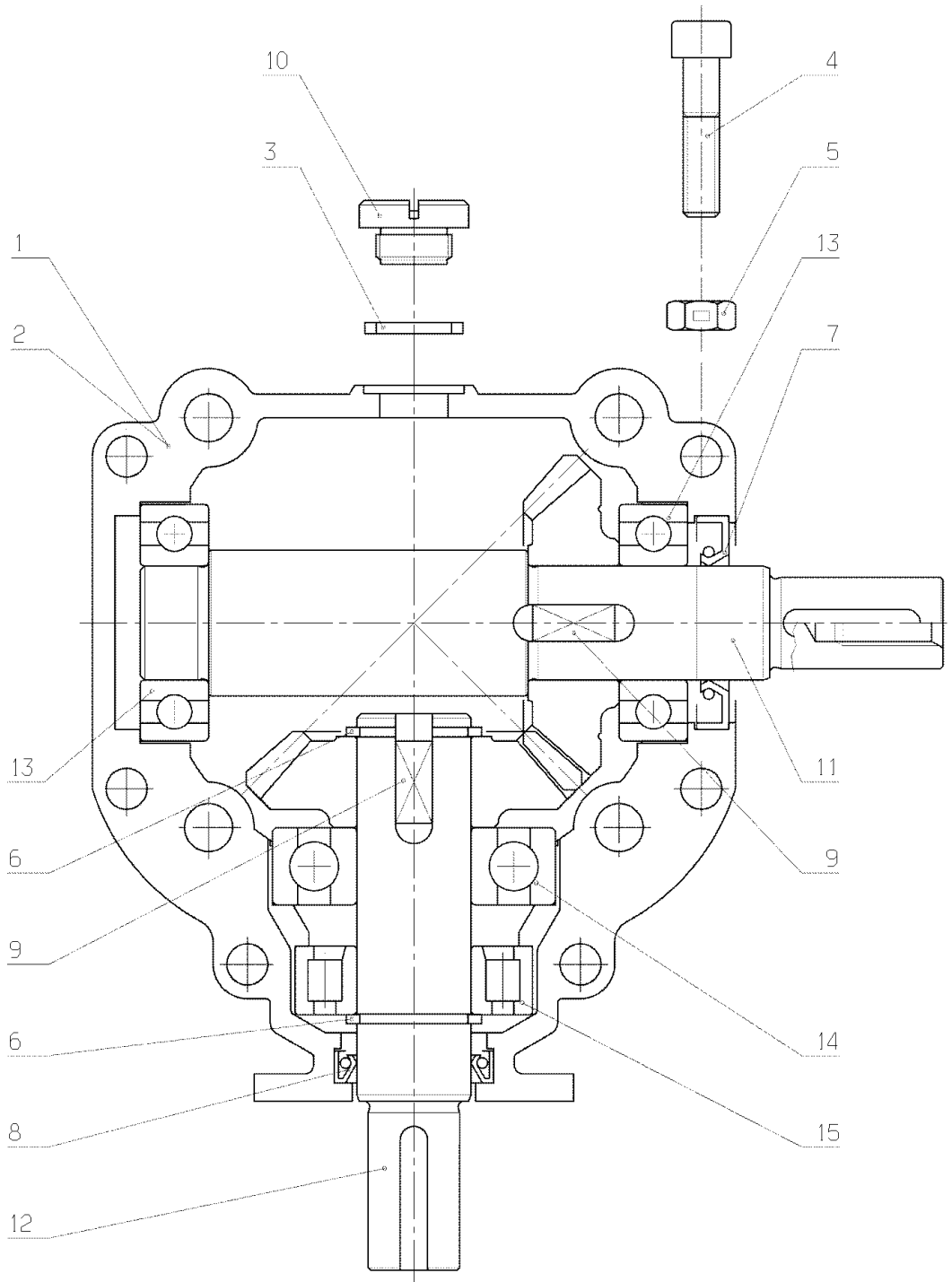


12/2019

| Number | Part Number | Name                | Quantity |
|--------|-------------|---------------------|----------|
| 1      | 30605       | L FRONT CASE        | 1,000    |
| 2      | 30606       | L REAR CASE         | 1,000    |
| 3      | 30613       | OIL DR. PLUG GASKET | 1,000    |
| 4      | 30614       | SCREW               | 1,000    |
| 5      | 30615       | NUT                 | 1,000    |
| 6      | 30616       | CIRCLIP             | 1,000    |
| 7      | 30619       | LIP SEAL            | 1,000    |
| 8      | 30620       | LIP SEAL            | 1,000    |
| 9      | 30621       | KEY                 | 1,000    |
| 10     | 30622       | OIL DRAIN PLUG      | 1,000    |
| 11     | 34082       | INPUT SHAFT         | 1,000    |
| 12     | 34081       | OUTPUT SHAFT        | 1,000    |
| 13     | 34076       | BEARING             | 1,000    |
| 14     | 34079       | BEARING             | 1,000    |
| 15     | 34080       | BEARING             | 1,000    |

30940

PL01159



01/2007

| Number | Part Number | Name                | Quantity |
|--------|-------------|---------------------|----------|
| 1      | 31657       | L.WHEEL ENGINE 2047 | 1,000    |
| 2      | 35574       | ADAPTER             | 1,000    |
| 3      | 52491       | REAR FRAME 124      | 1,000    |
| 4      | 35432       | HOSE                | 1,000    |
| 5      | 35206       | HOSE                | 1,000    |
| 6      | 29819       | FRONT WELDED FRAME  | 1,000    |
| 7      | 71289       | H.SCREW M10X100 8,8 | 1,000    |
| 8      | 21036       | FLAT WASHER 10.5    | 1,000    |
| 9      | 9017        | NUT HM10            | 1,000    |
| 10     | 71157       | NUT AUTOFR.HM12     | 1,000    |
| 11     | 31652       | R.WHEEL ENG.2046    | 1,000    |
| 12     | 34048       | WHEEL ENGINE WASHER | 1,000    |
| 13     | 34055       | KEY 6X6X20          | 1,000    |
| 14     | 35356       | SCREW HM12-65       | 1,000    |
| 15     | 35425       | R.WHEEL ENGIN.BRACK | 1,000    |
| 16     | 29144       | BACK SPRING 1       | 1,000    |
| 17     | 29170       | LH CALIPER          | 1,000    |
| 18     | 29536       | BRAKE CALIPER STOP  | 1,000    |
| 19     | 35295       | REAR WHEEL HUB      | 1,000    |
| 20     | 52321       | PLATE 12/25 KM/H    | 1,000    |
| 21     | 21436       | CLIPS NUT           | 1,000    |
| 22     | 37996       | SCREW HM5-16 8.8    | 1,000    |
| 23     | 71205       | SCREW M8            | 1,000    |
| 24     | 37948       | BRAKE EXTENSION     | 1,000    |
| 25     | 29687       | BRAKE CABLE         | 1,000    |
| 26     | 29225       | BRAKE SPRING        | 1,000    |
| 27     | 71201       | NUT M6              | 1,000    |
| 28     | 71413       | SCREW HM 8-20       | 1,000    |
| 30     | 71032       | KAWA SCREW H M10X75 | 1,000    |
| 31     | 71327       | NAIL RIVET 4X21     | 1,000    |
| 32     | 29470       | ADAPTER HJM         | 1,000    |
| 33     | 29145       | RH CALIPER          | 1,000    |
| 34     | 30405       | FLANGE STRAP        | 1,000    |
| 35     | 25095       | REFLECTOR           | 1,000    |
| 36     | 35714       | REAR WHEEL CPLT 23" | 1,000    |
| 37     | 32152       | WHEEL FITTING SCREW | 1,000    |
| 38     | 34047       | WHEEL ENGINE NUT    | 1,000    |
| 39     | 71345       | SPLIT PIN 4-45      | 1,000    |
| 40     | 35715       | REAR RIM GREY 23"   | 1,000    |
| 41     | 29627       | REAR INNER TUBE     | 1,000    |
| 42     | 29481       | REAR TYRE           | 1,000    |

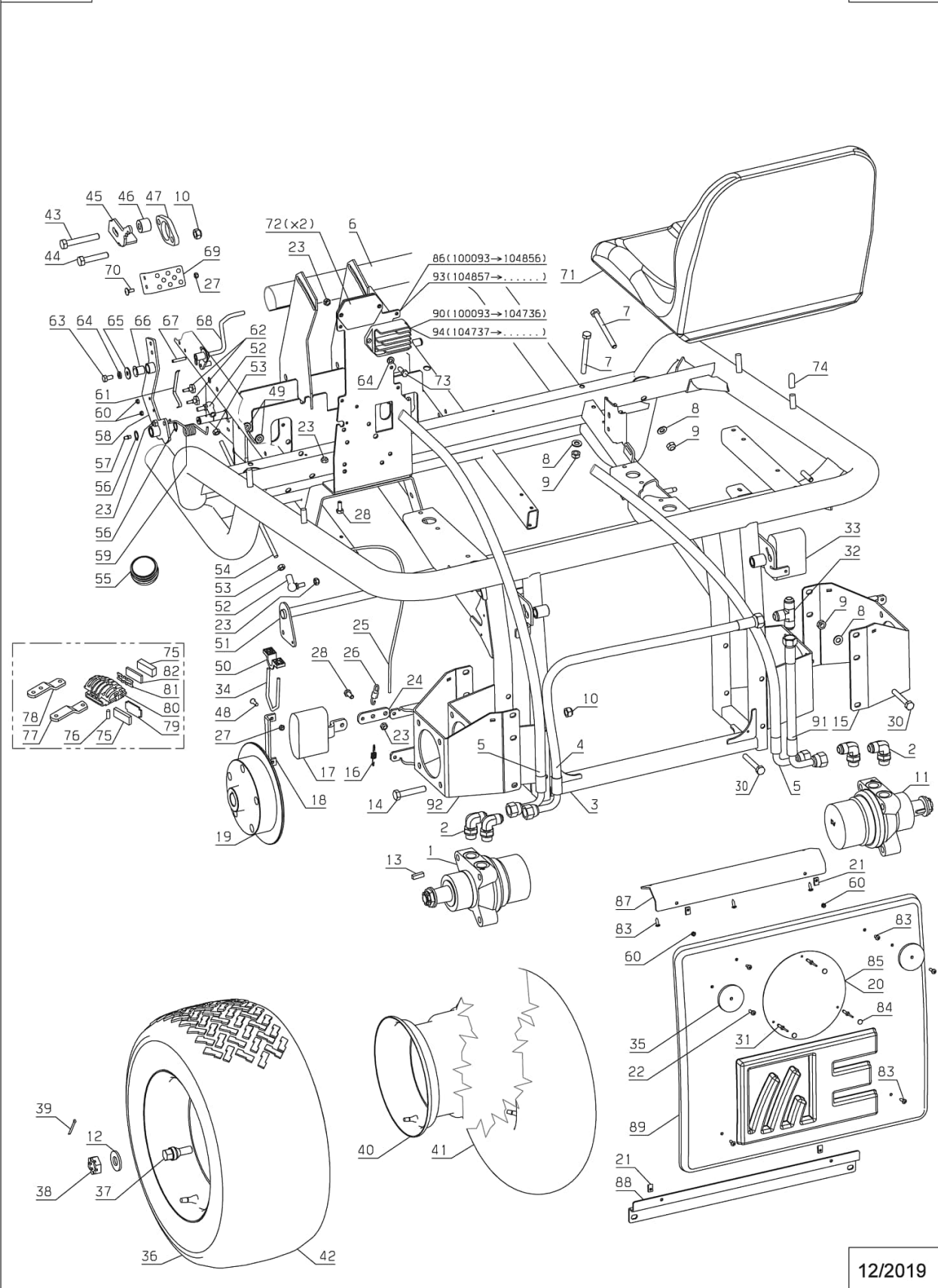


| Number | Part Number | Name                | Quantity |
|--------|-------------|---------------------|----------|
| 43     | 71134       | HEX.SCREW M12X80    | 1,000    |
| 44     | 71291       | H.SCREW M12X60 8,8  | 1,000    |
| 45     | 29734       | BRAKE FAST.HOOK     | 1,000    |
| 46     | 29735       | BLOCKING SPACER     | 1,000    |
| 47     | 29063       | BEARING FRONT POWER | 1,000    |
| 48     | 71381       | SCREW FHC/90 M6-20  | 1,000    |
| 49     | 29549       | RUBBER GROMMET 14   | 1,000    |
| 50     | 30404       | STRAP + NOTCH       | 1,000    |
| 51     | 29814       | BRAKE DRIVE         | 1,000    |
| 52     | 28234       | KNUCKLE M8          | 1,000    |
| 53     | 2020        | NUT HM8             | 1,000    |
| 54     | 29715       | BRAKE ROD           | 1,000    |
| 55     | 28056       | TUBE CAP 60         | 1,000    |
| 56     | 71019       | CIRCLIP 16X1        | 1,000    |
| 57     | 25301       | RH STD "HYDRAULIC"  | 1,000    |
| 58     | 29813       | BRAKE LINKAGE       | 1,000    |
| 59     | 29215       | TORSION SPRING      | 1,000    |
| 60     | 37561       | NUT                 | 1,000    |
| 61     | 29214       | SPERRFEDER          | 1,000    |
| 62     | 29176       | BOLT                | 1,000    |
| 63     | 6169        | SCREW HM8X16        | 1,000    |
| 64     | 71343       | SPRING WASHER A8    | 1,000    |
| 65     | 7035        | FLAT WASHER         | 1,000    |
| 66     | 28070       | SLEEVE 15/17/20     | 1,000    |
| 67     | 20552       | COTTER PIN V 5X32   | 1,000    |
| 68     | 29581       | STEP ARM            | 1,000    |
| 69     | 29862       | BRAKE PEDAL         | 1,000    |
| 70     | 21608       | SCREW 6X16 DIN      | 1,000    |
| 71     | 30691       | SEAT                | 1,000    |
| 72     | 30146       | REGULATOR PLATE     | 1,000    |
| 73     | 35433       | SCREW M8-30,8.8     | 1,000    |
| 74     | 42628       | RUBBER PROTECTION   | 1,000    |
| 75     | 29851       | BRAKE PAD KIT       | 1,000    |
| 76     | 29858       | PIN                 | 1,000    |
| 77     | 29852       | CAM                 | 1,000    |
| 78     | 29853       | CAM                 | 1,000    |
| 79     | 29854       | PAD SUPPORT         | 1,000    |
| 80     | 29857       | -> 29145 OR 29170   | 1,000    |
| 81     | 29856       | STOP SPRING         | 1,000    |
| 82     | 29855       | PAD SUPPORT         | 1,000    |
| 83     | 71111       | TAPPING SCREW,DIN 7 | 1,000    |

| Number | Part Number | Name                | Quantity |
|--------|-------------|---------------------|----------|
| 84     | 71328       | NAIL RIVET CAP      | 1,000    |
| 85     | 30046       | PLAQUE 16KM/H - ALL | 1,000    |
| 86     | 30147       | DISTRI.2000 BRACKET | 1,000    |
| 87     | 30937       | UP.FIXING PLATE     | 1,000    |
| 88     | 30939       | LOW.FIXING PLATE    | 1,000    |
| 89     | 30936       | EJECTION CHAN.COVER | 1,000    |
| 90     | 29872       | KIT REGULATOR       | 1,000    |
| 91     | 35431       | HOSE                | 1,000    |
| 92     | 35426       | L.WHEEL ENGIN.BRACK | 1,000    |
| 93     | 51973       | DISTRIB.BRACKET KIT | 1,000    |
| 94     | 52041       | REGULATOR           | 1,000    |

H144MX

430.05



12/2019

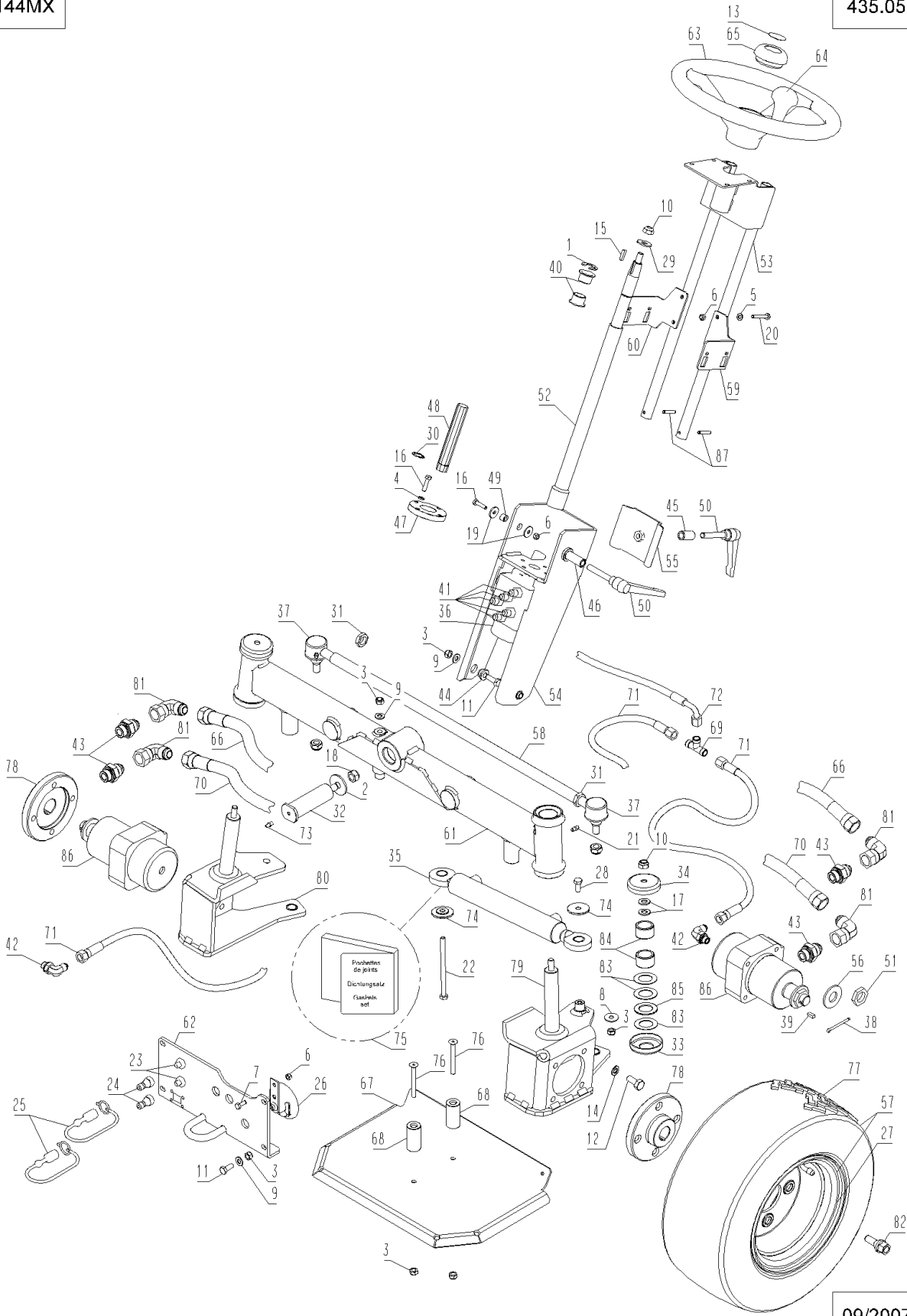
| Number | Part Number | Name                | Quantity |
|--------|-------------|---------------------|----------|
| 1      | 1513        | CIRCLIP 15          | 1,000    |
| 2      | 1517        | WASHER 13X40X3      | 1,000    |
| 3      | 71205       | SCREW M8            | 1,000    |
| 4      | 71049       | SPRING WASHER,DIN 1 | 1,000    |
| 5      | 2235        | WASHER A6.4         | 1,000    |
| 6      | 71201       | NUT M6              | 1,000    |
| 7      | 37997       | SCREW HM6-16 8.8    | 1,000    |
| 8      | 7035        | FLAT WASHER         | 1,000    |
| 9      | 7335        | WASHER              | 1,000    |
| 10     | 9017        | NUT HM10            | 1,000    |
| 11     | 9056        | BOLT 8X25           | 1,000    |
| 12     | 70086       | HEXAGON SCREW,DIN 9 | 1,000    |
| 13     | 25330       | BADGE - ETESIA      | 1,000    |
| 14     | 37665       | WASHER              | 1,000    |
| 15     | 20606       | KEY 5X5X20          | 1,000    |
| 16     | 20693       | HEX.SCREW HM6X25    | 1,000    |
| 17     | 21036       | FLAT WASHER 10.5    | 1,000    |
| 18     | 71157       | NUT AUTOFR.HM12     | 1,000    |
| 19     | 22029       | FLAT WASHER 6,5     | 1,000    |
| 20     | 22456       | SCREW HM 6X40       | 1,000    |
| 21     | 25301       | RH STD "HYDRAULIC"  | 1,000    |
| 22     | 71171       | SCREW               | 1,000    |
| 23     | 27115       | UNION PIECE         | 1,000    |
| 24     | 27116       | MALE COUPLER 1/8    | 1,000    |
| 25     | 27126       | COUPLER HOOD        | 1,000    |
| 26     | 28209       | ALARM               | 1,000    |
| 27     | 28764       | RIM TRELLEBORG      | 1,000    |
| 28     | 71223       | SCREW M8X50         | 1,000    |
| 29     | 71238       | WASHER A10,2        | 1,000    |
| 30     | 71265       | CIRCLIP 19          | 1,000    |
| 31     | 71292       | SMALL NUT M16X1     | 1,000    |
| 32     | 29155       | AXLE SHAFT          | 1,000    |
| 33     | 29158       | LOWER CAP           | 1,000    |
| 34     | 29159       | UPPER CAP           | 1,000    |
| 35     | 29167       | STEERING JACK       | 1,000    |
| 36     | 29179       | HYDRAULIC STEERING  | 1,000    |
| 37     | 29198       | ->100320X2+100330X1 | 1,000    |
| 38     | 71345       | SPLIT PIN 4-45      | 1,000    |
| 39     | 27681       | KEY 5X16            | 1,000    |
| 40     | 29427       | SLEEVE 20/23/21     | 1,000    |
| 41     | 29455       | ADAPTER AJM         | 1,000    |

| Number | Part Number | Name                | Quantity |
|--------|-------------|---------------------|----------|
| 42     | 29464       | ADAPTER CJM         | 1,000    |
| 43     | 29466       | ADAPTER AJM         | 1,000    |
| 44     | 29514       | CONSOLE LINK SHAFT  | 1,000    |
| 45     | 29515       | CONSOLE SPACER      | 1,000    |
| 46     | 29516       | CONSOLE SPACER      | 1,000    |
| 47     | 29520       | ORBITROL SPACER     | 1,000    |
| 48     | 29522       | ORBIT.GROOVE SHAFT  | 1,000    |
| 49     | 29528       | CONSOLE BUSH        | 1,000    |
| 50     | 29531       | MALE DISENG.HANDLE  | 1,000    |
| 51     | 34047       | WHEEL ENGINE NUT    | 1,000    |
| 52     | 29602       | STEERING COLUMN     | 1,000    |
| 53     | 29603       | STEE.COLUMN BRACKET | 1,000    |
| 54     | 29606       | CONOLE FRAME        | 1,000    |
| 55     | 29609       | CONSOLE GUIDE       | 1,000    |
| 56     | 34048       | WHEEL ENGINE WASHER | 1,000    |
| 57     | 35201       | FRONT WHEEL CPLT16" | 1,000    |
| 58     | 29691       | STUB AXLE ROD       | 1,000    |
| 59     | 29739       | LH CONS.COVER.BRACK | 1,000    |
| 60     | 29740       | RH CONS.COVER BRACK | 1,000    |
| 61     | 29811       | FRONT AXLE          | 1,000    |
| 62     | 29820       | COUPL.BRACKET PLATE | 1,000    |
| 63     | 29900       | STEERING WHEEL      | 1,000    |
| 64     | 29923       | STEERING WHEEL GAIT | 1,000    |
| 65     | 29978       | STEERING WHEEL CAP  | 1,000    |
| 66     | 35206       | HOSE                | 1,000    |
| 67     | 35307       | HOSE PLATE          | 1,000    |
| 68     | 35308       | SPACER D25/9X50     | 1,000    |
| 69     | 30109       | T CONNECTOR 8L      | 1,000    |
| 70     | 35421       | HOSE                | 1,000    |
| 71     | 35424       | HOSE                | 1,000    |
| 72     | 29340       | T HOSE A6/LIFT RIGH | 1,000    |
| 73     | 30240       | SCHMIERNIPPEL M6 90 | 1,000    |
| 74     | 30263       | WASHER              | 1,000    |
| 75     | 30455       | ST.J.BAG OF GASKETS | 1,000    |
| 76     | 35723       | SCREW M8-70         | 1,000    |
| 77     | 35895       | TYRE TREL 16.5X6.50 | 1,000    |
| 78     | 35202       | FRONT WHEEL HUB     | 1,000    |
| 79     | 37659       | WHEEL ENGINE FIX.L  | 1,000    |
| 80     | 37660       | WHEEL ENGINE FIX.R  | 1,000    |
| 81     | 30852       | ADAPTER CJM78 JF    | 1,000    |
| 82     | 32152       | WHEEL FITTING SCREW | 1,000    |

| Number | Part Number | Name                | Quantity |
|--------|-------------|---------------------|----------|
| 83     | 35108       | WASHER AS1105       | 1,000    |
| 84     | 35109       | NAILBEARING HMK2520 | 1,000    |
| 85     | 35110       | BEARING STOP        | 1,000    |
| 86     | 35200       | FRONT ENGINE        | 1,000    |
| 87     | 20552       | COTTER PIN V 5X32   | 1,000    |

H144MX

435.05



09/2007

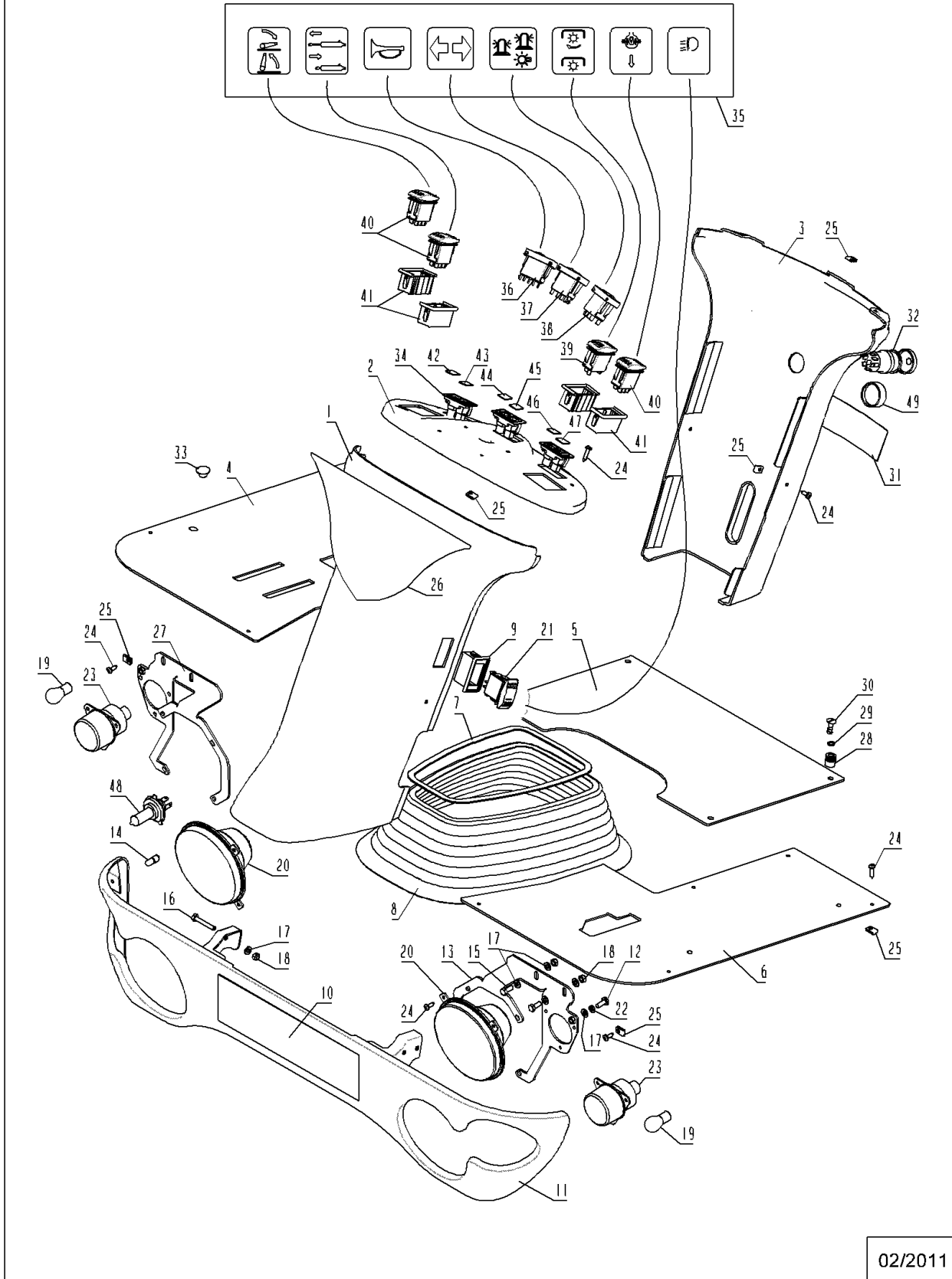
| Number | Part Number | Name                | Quantity |
|--------|-------------|---------------------|----------|
| 1      | 29055       | FRONT CONSOLE COVER | 1,000    |
| 2      | 52586       | DASHBOARD           | 1,000    |
| 3      | 29056       | REAR CONSOLE COVER  | 1,000    |
| 4      | 29086       | RH STEP             | 1,000    |
| 5      | 29050       | BATTERY COVER       | 1,000    |
| 6      | 29849       | FOOT STAND LEFT     | 1,000    |
| 7      | 29681       | BELLOW RING         | 1,000    |
| 8      | 29081       | CONSOLE BELLOW      | 1,000    |
| 9      | 29274       | MOUNTING FRAME      | 1,000    |
| 10     | 13085       | STICKER ETESIA      | 1,000    |
| 11     | 30700       | STEERING COVER      | 1,000    |
| 12     | 37997       | SCREW HM6-16 8.8    | 1,000    |
| 13     | 30596       | FR.L.LIGHTS BRACKE  | 1,000    |
| 14     | 30015       | STAND LIGHT AMP.    | 1,000    |
| 16     | 22456       | SCREW HM 6X40       | 1,000    |
| 17     | 2235        | WASHER A6.4         | 1,000    |
| 18     | 71201       | NUT M6              | 1,000    |
| 19     | 30695       | BLINKER BULB        | 1,000    |
| 20     | 30599       | FRONT LIGHT         | 1,000    |
| 21     | 52497       | SWITCH ON/OFF LIGHT | 1,000    |
| 22     | 71049       | SPRING WASHER,DIN 1 | 1,000    |
| 23     | 32215       | BLINKER             | 1,000    |
| 24     | 71111       | TAPPING SCREW,DIN 7 | 1,000    |
| 25     | 21436       | CLIPS NUT           | 1,000    |
| 26     | 35695       | STICKER H144MX      | 1,000    |
| 27     | 30595       | FR.R.LIGHTS BRACKE  | 1,000    |
| 28     | 29568       | 1/4 ROTAT.RECEIVER  | 1,000    |
| 29     | 29569       | 1/4 ROTAT. WASHER   | 1,000    |
| 30     | 29567       | 1/4 ROTA.THREAD.PIN | 1,000    |
| 31     | 13021       | STICKER             | 1,000    |
| 32     | 29624       | BLINKER UNIT        | 1,000    |
| 33     | 30091       | CAP DIAM. 12        | 1,000    |
| 34     | 25775       | DOUBLE RELAY LAN    | 1,000    |
| 35     | 13128       | DIAGRAM LABEL       | 1,000    |
| 36     | 29299       | SWICH ON/OFF/ON C11 | 1,000    |
| 37     | 29260       | SWITCH ON/OFF/ON V  | 1,000    |
| 38     | 29262       | SWITCH ON/OFF/ON R  | 1,000    |
| 40     | 52495       | SWITCH ON/OFF/ON    | 1,000    |
| 41     | 29273       | EXT. FRAME          | 1,000    |
| 42     | 29278       | WATER TEMP.INDICAT. | 1,000    |
| 43     | 25788       | INSERT BATTERY      | 1,000    |



| Number | Part Number | Name                | Quantity |
|--------|-------------|---------------------|----------|
| 44     | 25782       | INSERT OIL          | 1,000    |
| 45     | 29277       | PRE-FIRE INDICATOR  | 1,000    |
| 46     | 29281       | DIESEL LEVEL INDIC. | 1,000    |
| 47     | 29276       | OIL TEMPER.INDICAT. | 1,000    |
| 48     | 30638       | BULB H4             | 1,000    |
| 49     | 38126       | SPACER              | 1,000    |

H144MX

440.05



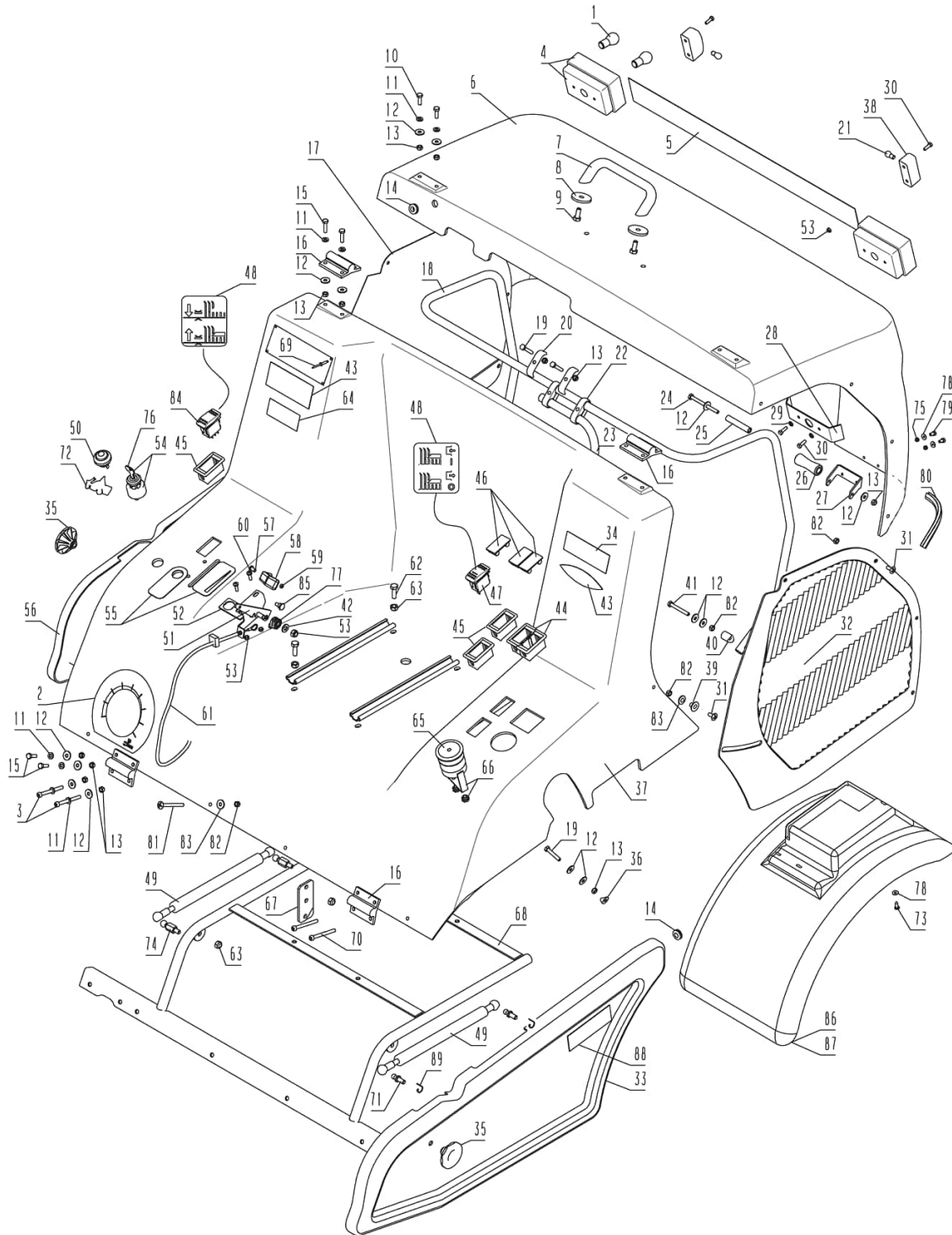
| Number | Part Number | Name                | Quantity |
|--------|-------------|---------------------|----------|
| 1      | 25815       | LIGHT BULB 21 W     | 1,000    |
| 2      | 13202       | CUT.HEIGHT LABEL    | 1,000    |
| 3      | 71419       | CHC M6X70 SCREW     | 1,000    |
| 4      | 29314       | BACK LIGHT          | 1,000    |
| 5      | 13134       | ENGINE COVER LABEL  | 1,000    |
| 6      | 29766       | -> 100223           | 1,000    |
| 7      | 29791       | COVER GRIP          | 1,000    |
| 8      | 20021       | WASHER 8,5X40X4     | 1,000    |
| 9      | 71413       | SCREW HM 8-20       | 1,000    |
| 10     | 20507       | BOLT HM 6X20        | 1,000    |
| 11     | 2235        | WASHER A6.4         | 1,000    |
| 12     | 21270       | WASHER 6,4          | 1,000    |
| 13     | 71201       | NUT M6              | 1,000    |
| 14     | 29549       | RUBBER GROMMET 14   | 1,000    |
| 15     | 20693       | HEX.SCREW HM6X25    | 1,000    |
| 16     | 30418       | COVER HINGE         | 1,000    |
| 17     | 30247       | RH ENGINE GRID      | 1,000    |
| 18     | 29795       | ENGINE COVER TUBE   | 1,000    |
| 19     | 71259       | SCREW HM6X35        | 1,000    |
| 20     | 29847       | REINF.DOUBLE COLLAR | 1,000    |
| 21     | 25094       | LAMP 10W            | 1,000    |
| 22     | 29797       | BOW FIXING COLLAR   | 1,000    |
| 23     | 29796       | ENG.COVER REINF.TUB | 1,000    |
| 24     | 71353       | HEX.SCREW M5X80     | 1,000    |
| 25     | 29743       | TUBE ROLLER         | 1,000    |
| 26     | 29742       | COVER ROLLER        | 1,000    |
| 27     | 29744       | ROLLER BRACKET      | 1,000    |
| 28     | 32026       | BRACKET             | 1,000    |
| 29     | 71200       | SCREW M5            | 1,000    |
| 30     | 2009        | BOLT M5X16          | 1,000    |
| 31     | 71338       | SCREW M6X15 6.8     | 1,000    |
| 32     | 30248       | LH ENGINE GRID      | 1,000    |
| 33     | 35804       | LEFT SIDE COVER     | 1,000    |
| 34     | 13086       | STICKER ETESIA      | 1,000    |
| 35     | 24610       | BUTTON (SMALL)      | 1,000    |
| 36     | 29826       | RING 1 MM           | 1,000    |
| 37     | 29765       | CENTRAL COVER       | 1,000    |
| 38     | 30021       | -> 55458            | 1,000    |
| 39     | 29798       | SPACER SCREEN GUIDE | 1,000    |
| 40     | 29794       | COLLAR 16 MM        | 1,000    |
| 41     | 71023       | SCREW HM 6X50       | 1,000    |

| Number | Part Number | Name                | Quantity |
|--------|-------------|---------------------|----------|
| 42     | 7035        | FLAT WASHER         | 1,000    |
| 43     | 13133       | H124D GUIGIARO LABE | 1,000    |
| 44     | 29273       | EXT. FRAME          | 1,000    |
| 45     | 29274       | MOUNTING FRAME      | 1,000    |
| 46     | 30086       | MOUNTG FRAME COVER  | 1,000    |
| 47     | 52497       | SWITCH ON/OFF LIGHT | 1,000    |
| 48     | 13128       | DIAGRAM LABEL       | 1,000    |
| 49     | 29423       | GAS RAM             | 1,000    |
| 50     | 30296       | PUSH BUTTON         | 1,000    |
| 51     | 30287       | THROTTLE CABLE LEV. | 1,000    |
| 52     | 30289       | THROTTL.CABLE BRACK | 1,000    |
| 53     | 37561       | NUT                 | 1,000    |
| 54     | 29254       | KEY SWITCH + 2 KEYS | 1,000    |
| 55     | 13199       | STICKER             | 1,000    |
| 56     | 35803       | RIGHT SIDE COVER    | 1,000    |
| 57     | 71224       | GAS GRIP SCREW 8-32 | 1,000    |
| 58     | 28177       | GAS GRIP            | 1,000    |
| 59     | 71225       | GAS GRIP NUT 8-32"  | 1,000    |
| 60     | 37996       | SCREW HM5-16 8.8    | 1,000    |
| 61     | 30288       | THROTTLE CABLE      | 1,000    |
| 62     | 9056        | BOLT 8X25           | 1,000    |
| 63     | 71205       | SCREW M8            | 1,000    |
| 64     | 38728       | STICKER FRANCE/EURO | 1,000    |
| 65     | 52779       | HOUR METER          | 1,000    |
| 66     | 29878       | BRACKET PLATE + NUT | 1,000    |
| 67     | 51118       | FIXING PLATE        | 1,000    |
| 68     | 29605       | CENTRAL COVER BOW   | 1,000    |
| 69     | 71327       | NAIL RIVET 4X21     | 1,000    |
| 70     | 71267       | SCREW M6X65 8,8     | 1,000    |
| 71     | 51456       | KNOB MALE M8        | 1,000    |
| 72     | 29973       | KEY HANGER H124D    | 1,000    |
| 73     | 71111       | TAPPING SCREW,DIN 7 | 1,000    |
| 74     | 30014       | GAS CYLINDER SPACER | 1,000    |
| 75     | 21525       | NUT HM4             | 1,000    |
| 76     | 29534       | SET OF 2 KEYS       | 1,000    |
| 77     | 30218       | THROTTLE CABLE PAD  | 1,000    |
| 78     | 7094        | FLAT WASHER         | 1,000    |
| 79     | 71204       | SCREW DUO TAPT 5X10 | 1,000    |
| 80     | 28254       | PROTECT.COATING 690 | 1,000    |
| 81     | 71422       | RL M6X20 SCREW      | 1,000    |
| 83     | 71096       | WASHER B6,4         | 1,000    |

| Number | Part Number | Name                | Quantity |
|--------|-------------|---------------------|----------|
| 84     | 52496       | SWITCH ON/OFF/ON    | 1,000    |
| 85     | 28137       | CATCH BOLT SP.SCREW | 1,000    |
| 86     | 35682       | REAR R.PROTECT.PLAT | 1,000    |
| 87     | 35687       | REAR L.PROT.PLATE   | 1,000    |
| 88     | 38038       | STICKER 4X4         | 1,000    |
| 89     | 51457       | PIN                 | 1,000    |

H144MX

445.05



12/2019

| Number | Part Number | Name                | Quantity |
|--------|-------------|---------------------|----------|
| 1      | 30981       | ENGINE FOCS 1003    | 1,000    |
| 2      | 71192       | KEY                 | 1,000    |
| 3      | 71342       | SCREW M6X45 8.8     | 1,000    |
| 5      | 37042       | CLUTCH GT 2.5       | 1,000    |
| 6      | 7341        | FLAT WASHER 10,3X49 | 1,000    |
| 7      | 71031       | LH HEXAG.SCREW,DIN  | 1,000    |
| 8      | 71052       | SPRING WASHER,DIN 1 | 1,000    |
| 9      | 36075       | CLUTCH SHAFT        | 1,000    |
| 10     | 29108       | ENGIN.BRACK.PDF2 R  | 1,000    |
| 11     | 71325       | SPRING WASHER A12   | 1,000    |
| 12     | 71324       | H.SCREW M12X25 8,8  | 1,000    |
| 13     | 29109       | ENGI.BRACK.PDF2 FRO | 1,000    |
| 14     | 29110       | ENGINE BRACKET PDF1 | 1,000    |
| 15     | 2020        | NUT HM8             | 1,000    |
| 16     | 71343       | SPRING WASHER A8    | 1,000    |
| 17     | 30019       | -> 54342            | 1,000    |
| 18     | 71242       | HEX.SCREW HM10X35   | 1,000    |
| 19     | 9061        | BOLT 8X30           | 1,000    |
| 21     | 29266       | CJM ADAPTER         | 1,000    |
| 22     | 29454       | ADAPTER AJM         | 1,000    |
| 23     | 29458       | ADAPTER CJM         | 1,000    |
| 24     | 29452       | ADAPTER CJM         | 1,000    |
| 25     | 29309       | T HOSE ENGINE/PUMP  | 1,000    |
| 26     | 29315       | DRAIN HOSE PUMP>TAN | 1,000    |
| 27     | 30432       | TRANS.PUMP FLANGE   | 1,000    |
| 28     | 71455       | SCRW.UHUNC 5/16"-3" | 1,000    |
| 29     | 29391       | PULLEY SHAFT        | 1,000    |
| 30     | 9022        | BALL BEARING 6002   | 1,000    |
| 31     | 21256       | CIRCLIP             | 1,000    |
| 32     | 7335        | WASHER              | 1,000    |
| 33     | 30020       | O-RING 3"1/4        | 1,000    |
| 34     | 20606       | KEY 5X5X20          | 1,000    |
| 35     | 71413       | SCREW HM 8-20       | 1,000    |
| 36     | 7035        | FLAT WASHER         | 1,000    |
| 37     | 29387       | TORSION SPRING      | 1,000    |
| 38     | 38949       | STEERING ROD        | 1,000    |
| 39     | 71454       | SCRW.HUNC 3/8"1"1/4 | 1,000    |
| 40     | 21036       | FLAT WASHER 10.5    | 1,000    |
| 41     | 9017        | NUT HM10            | 1,000    |
| 42     | 29386       | ECCENTRIC SHAFT     | 1,000    |
| 43     | 30080       | DRIVE SUPPORT       | 1,000    |

| Number | Part Number | Name                | Quantity |
|--------|-------------|---------------------|----------|
| 44     | 54643       | ENGINE BRACKET FIX. | 1,000    |
| 45     | 30115       | PROTECTION PLATE    | 1,000    |
| 46     | 71047       | CIRCLIP DIN 471 15X | 1,000    |
| 47     | 51633       | BRACKET             | 1,000    |
| 48     | 30234       | PUSH SWITCH         | 1,000    |
| 49     | 30139       | DRIVE PULLEY POLY   | 1,000    |
| 50     | 71201       | NUT M6              | 1,000    |
| 51     | 30140       | FAN FLANGE POLY     | 1,000    |
| 52     | 29438       | DOUBLE GEAR PUMP    | 1,000    |
| 53     | 29456       | ADAPTER AJM         | 1,000    |
| 54     | 29466       | ADAPTER AJM         | 1,000    |
| 55     | 29467       | ADAPTER AJM         | 1,000    |
| 56     | 22032       | SCREW M8X35         | 1,000    |
| 57     | 29859       | PUMP NUT            | 1,000    |
| 58     | 29931       | CORNER FLANGE 3/4'  | 1,000    |
| 59     | 29932       | CORNER FLANGE 1/2'  | 1,000    |
| 60     | 29933       | CORNER FLANGE 3/8'  | 1,000    |
| 61     | 29121       | CLUTCH STOP         | 1,000    |
| 62     | 71205       | SCREW M8            | 1,000    |
| 63     | 29546       | HEXAGONAL CLUTCH    | 1,000    |
| 64     | 9071        | SCREW M8X20         | 1,000    |
| 65     | 38375       | BELT 1790 MM        | 1,000    |
| 66     | 29741       | EXHAUST JOINING     | 1,000    |
| 67     | 9056        | BOLT 8X25           | 1,000    |
| 68     | 30209       | BELT POLY V 425     | 1,000    |
| 69     | 6169        | SCREW HM8X16        | 1,000    |
| 71     | 29444       | MUFFLER FAST.LUG    | 1,000    |
| 73     | 29106       | EXT MUFFLER SCREEN  | 1,000    |
| 74     | 71316       | SCREW HM8X10        | 1,000    |
| 75     | 29102       | MUFFLER             | 1,000    |
| 76     | 29439       | EXHAUST INTERFACE . | 1,000    |
| 77     | 30549       | KEY                 | 1,000    |
| 78     | 29925       | MOVEMENT PLATE      | 1,000    |
| 79     | 29392       | PEDAL CABLE         | 1,000    |
| 80     | 29396       | PEDAL CABLE BRACKET | 1,000    |
| 81     | 37997       | SCREW HM6-16 8.8    | 1,000    |
| 82     | 28234       | KNUCKLE M8          | 1,000    |
| 83     | 29556       | -> 52180            | 1,000    |
| 84     | 28070       | SLEEVE 15/17/20     | 1,000    |
| 85     | 29913       | PEDAL PLATE         | 1,000    |
| 86     | 25555       | PRIMARY CONTROL ROD | 1,000    |



| Number | Part Number | Name                | Quantity |
|--------|-------------|---------------------|----------|
| 87     | 52180       | SHOCK ABS.KIT TA    | 1,000    |
| 88     | 5602        | ANNEAU TRUARC       | 1,000    |
| 89     | 28131       | FORWARD PEDAL       | 1,000    |
| 90     | 28139       | REVERSE PEDAL       | 1,000    |
| 91     | 71231       | SCREW JM5-16        | 1,000    |
| 92     | 28167       | COVERING FORW.PEDAL | 1,000    |
| 93     | 37561       | NUT                 | 1,000    |
| 94     | 25900       | PROTECTIVE COWL     | 1,000    |
| 95     | 28188       | COVERING REV. PEDAL | 1,000    |
| 96     | 71126       | FLAT WASHER,DIN 734 | 1,000    |
| 97     | 30137       | MUFFLER LEAF METAL  | 1,000    |
| 98     | 29964       | KNUCKLE CASING AMT  | 1,000    |
| 99     | 29965       | CHOCK ABSORB.KNUCKL | 1,000    |
| 100    | 29966       | CHOCK ABSORB.FORK   | 1,000    |
| 101    | 71049       | SPRING WASHER,DIN 1 | 1,000    |
| 102    | 22029       | FLAT WASHER 6,5     | 1,000    |
| 103    | 29591       | -> 54934            | 1,000    |
| 104    | 29850       | FOCS EXHAUST GASKET | 1,000    |
| 105    | 2009        | BOLT M5X16          | 1,000    |
| 106    | 38879       | DEAD POINT CAM      | 1,000    |
| 107    | 30049       | SPACER 15-20-35     | 1,000    |
| 108    | 29243       | OIL SEAL 17X26      | 1,000    |
| 109    | 30641       | GASKETS SET         | 1,000    |
| 110    | 30409       | BELT 1930 MM        | 1,000    |
| 111    | 5399        | BOLT M5X40          | 1,000    |
| 112    | 29257       | SAFETY SWITCH       | 1,000    |
| 113    | 30594       | ENGINE WIRING       | 1,000    |
| 114    | 36426       | KEY B6.35           | 1,000    |
| 116    | 37482       | CLUTCH SPACER       | 1,000    |
| 117    | 36134       | CLUTCH STOP         | 1,000    |
| 119    | 38809       | SENSOR BRACKET      | 1,000    |
| 120    | 21608       | SCREW 6X16 DIN      | 1,000    |
| 121    | 36948       | TORSION SPRING      | 1,000    |
| 122    | 20564       | WASHER 5,5          | 1,000    |
| 123    | 29340       | T HOSE A6/LIFT RIGH | 1,000    |
| 155    | 37055       | BLADE CLUTCH KIT    | 1,000    |

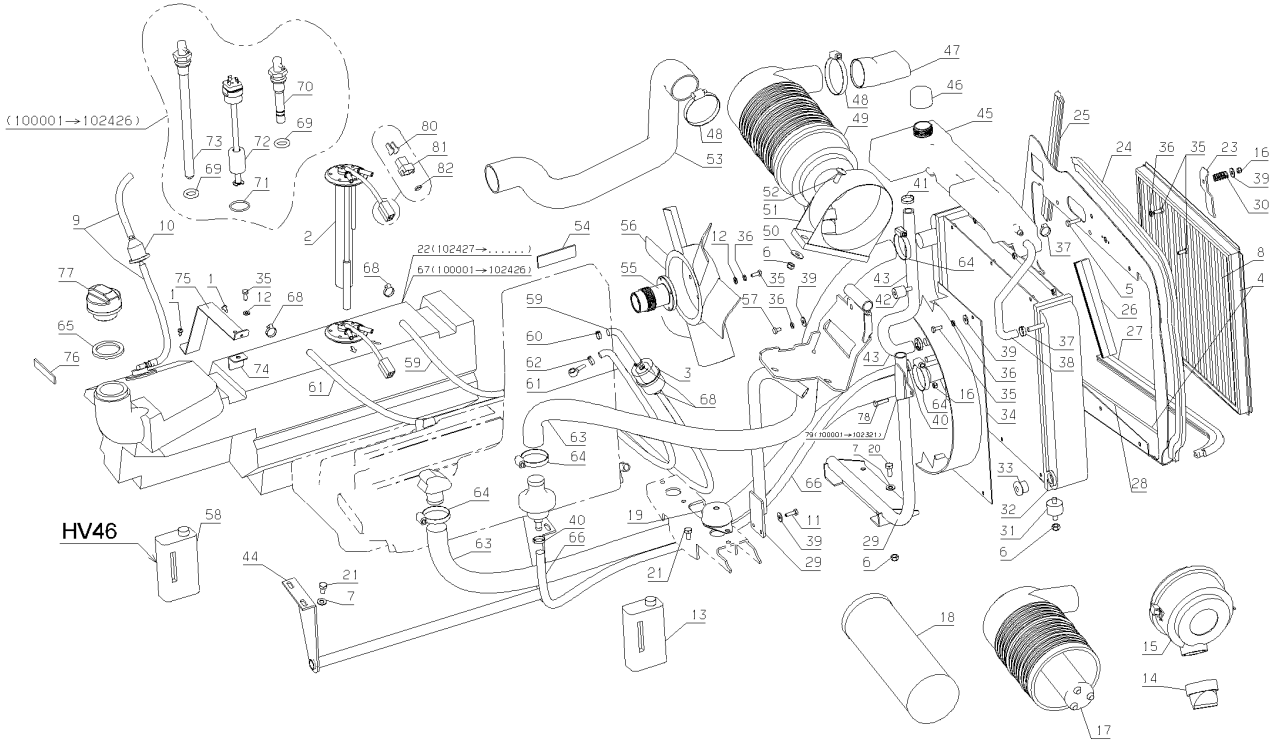


| Number | Part Number | Name                | Quantity |
|--------|-------------|---------------------|----------|
| 1      | 71111       | TAPPING SCREW,DIN 7 | 1,000    |
| 2      | 30899       | FUEL GAUGE          | 1,000    |
| 3      | 30119       | FUEL FILTER         | 1,000    |
| 4      | 30270       | KIT RADIATOR FOAM 2 | 1,000    |
| 5      | 20693       | HEX.SCREW HM6X25    | 1,000    |
| 6      | 71205       | SCREW M8            | 1,000    |
| 7      | 7335        | WASHER              | 1,000    |
| 8      | 30272       | RADIATOR GRID       | 1,000    |
| 9      | 30281       | FUEL HOSE 1400 MM   | 1,000    |
| 10     | 25266       | FILTER FUEL         | 1,000    |
| 11     | 20507       | BOLT HM 6X20        | 1,000    |
| 12     | 2235        | WASHER A6.4         | 1,000    |
| 13     | 30149       | COOLANT (2L)        | 1,000    |
| 14     | 29833       | EVACUATION VALVE    | 1,000    |
| 15     | 29834       | COVERING CAP        | 1,000    |
| 16     | 71201       | NUT M6              | 1,000    |
| 17     | 29645       | SAFETY AIR FILTER   | 1,000    |
| 18     | 29644       | MAIN AIR FILTER     | 1,000    |
| 19     | 54643       | ENGINE BRACKET FIX. | 1,000    |
| 20     | 71413       | SCREW HM 8-20       | 1,000    |
| 21     | 6169        | SCREW HM8X16        | 1,000    |
| 22     | 30740       | GASOIL TANK         | 1,000    |
| 23     | 30273       | RADIATOR GRID SCREW | 1,000    |
| 24     | 29846       | IMPERV.SLEEVE 800MM | 1,000    |
| 25     | 29844       | -> 29846            | 1,000    |
| 26     | 29842       | -> 29846            | 1,000    |
| 27     | 29845       | -> 29846            | 1,000    |
| 28     | 29841       | RADIATOR PLATE      | 1,000    |
| 29     | 29538       | RADIATOR BRACKET    | 1,000    |
| 30     | 24647       | SPRING              | 1,000    |
| 31     | 29210       | LOWER SILENTBLOC    | 1,000    |
| 32     | 29103       | LOMBARDINI RADIATOR | 1,000    |
| 33     | 29195       | RADIAT.EMPTYING CAP | 1,000    |
| 34     | 29832       | RADIATOR VOLUTE     | 1,000    |
| 35     | 37997       | SCREW HM6-16 8.8    | 1,000    |
| 36     | 71049       | SPRING WASHER,DIN 1 | 1,000    |
| 37     | 28323       | HOSE HAND CLIP      | 1,000    |
| 38     | 29139       | WATER INPUT HOSE 8  | 1,000    |
| 39     | 21270       | WASHER 6,4          | 1,000    |
| 40     | 29285       | CLAMP 16,5          | 1,000    |
| 41     | 29284       | CLAMP 20,5          | 1,000    |

| Number | Part Number | Name                | Quantity |
|--------|-------------|---------------------|----------|
| 42     | 29207       | UPPER SILENTBLOC    | 1,000    |
| 43     | 29140       | COMPENSAT.TANK HOSE | 1,000    |
| 44     | 29805       | HYDR.TANK FRONT BRA | 1,000    |
| 45     | 29142       | COMPENSATION TANK   | 1,000    |
| 46     | 29200       | COMPENSAT.TANK CAP  | 1,000    |
| 47     | 29746       | HOSE SUCTION FILTER | 1,000    |
| 48     | 29566       | HOSE CLAMP 56 MM    | 1,000    |
| 49     | 29036       | ENGINE AIR FILTER   | 1,000    |
| 50     | 7035        | FLAT WASHER         | 1,000    |
| 51     | 29449       | AIR FILTER RING     | 1,000    |
| 52     | 5347        | SCREW 8X25          | 1,000    |
| 53     | 29754       | AIR FILT.SUCT.HOSE  | 1,000    |
| 54     | 13151       | LABEL HYDRO TANK    | 1,000    |
| 55     | 30140       | FAN FLANGE POLY     | 1,000    |
| 56     | 29483       | FAN HELIX           | 1,000    |
| 57     | 71355       | HEX.SCREW M6X10     | 1,000    |
| 58     | 29592       | 2L HV46 OIL CAN     | 1,000    |
| 59     | 29565       | HOSE OUTPUT ENGINE  | 1,000    |
| 60     | 29287       | CLAMP 10            | 1,000    |
| 62     | 28370       | HOSE HAND CLIP      | 1,000    |
| 63     | 29137       | WATER HOSE 30       | 1,000    |
| 64     | 29283       | HOSE CLAMP 38MM     | 1,000    |
| 65     | 29934       | TANK CAP            | 1,000    |
| 66     | 29141       | THERMIC OUTPUT HOSE | 1,000    |
| 67     | 29133       | -> 30740 + 30648    | 1,000    |
| 68     | 37002       | COLLAR 10-18        | 1,000    |
| 69     | 25675       | HYDRO TANK SEAL     | 1,000    |
| 70     | 30006       | BACKFLOWPIPETTE     | 1,000    |
| 71     | 29381       | O-RING DIA.33       | 1,000    |
| 72     | 29272       | FUEL LEVEL INDICAT. | 1,000    |
| 73     | 30005       | -> 30740 + 30648    | 1,000    |
| 74     | 29557       | TANK STOP           | 1,000    |
| 75     | 29188       | DIESEL TANK BRACKET | 1,000    |
| 76     | 13124       | LABEL TANK DIESEL   | 1,000    |
| 78     | 71380       | SCREW TH M6X35      | 1,000    |
| 79     | 30749       | CENTR.COVER BOW KIT | 1,000    |
| 80     | 30178       | DEUTSCH MALE THIMBL | 1,000    |
| 81     | 30181       | 4WAYS FEM.CONNECTOR | 1,000    |
| 82     | 30198       | KEY4WAYS FEM.CONNEC | 1,000    |

H144M - H144MX

460.02



12/2007

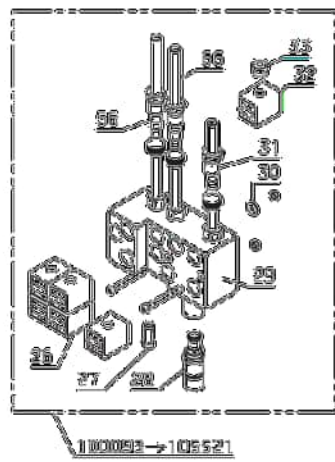
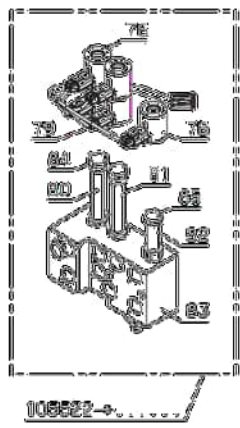
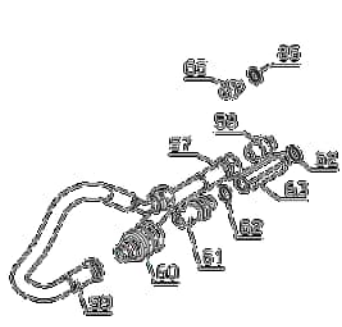
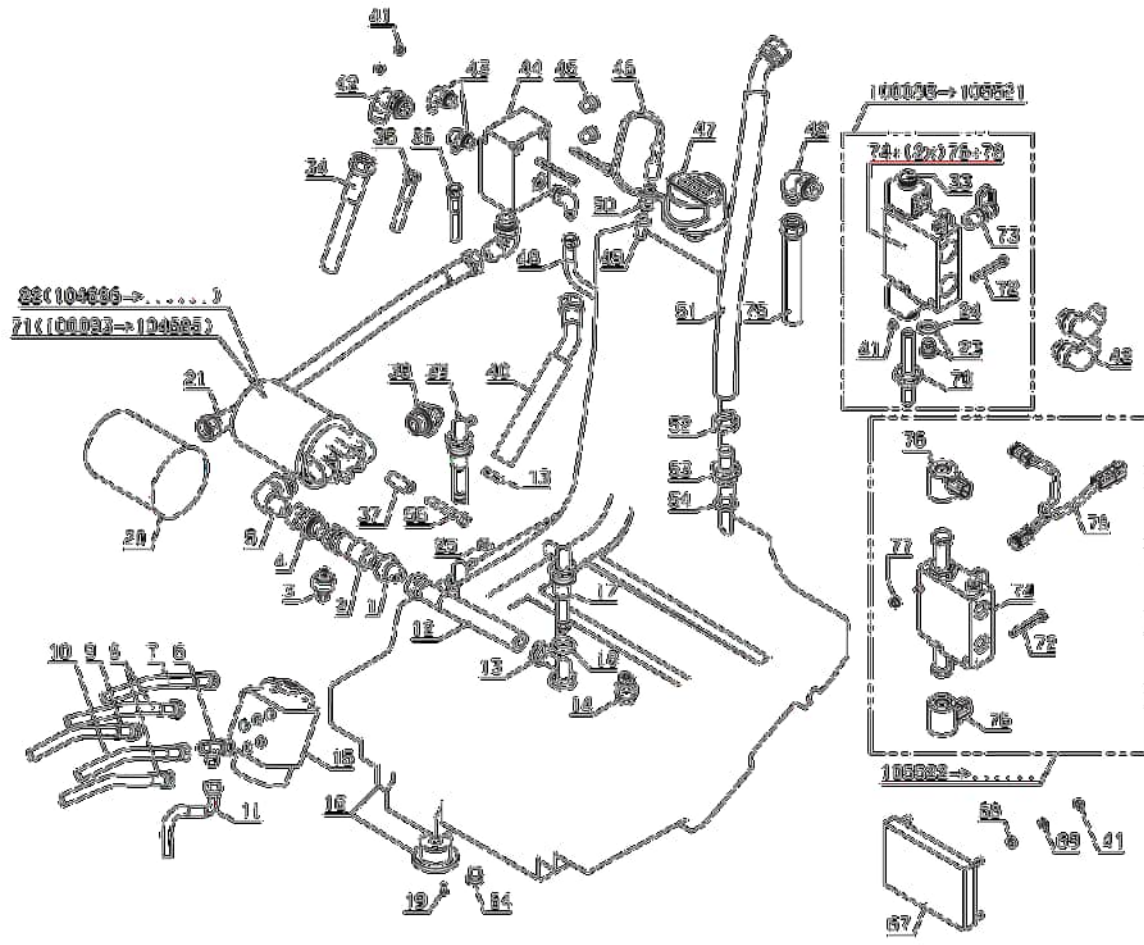
| Number | Part Number | Name                 | Quantity |
|--------|-------------|----------------------|----------|
| 1      | 29466       | ADAPTER AJM          | 1,000    |
| 2      | 29437       | -> 52349 + 52350     | 1,000    |
| 3      | 29491       | ELECT.COLMAT.INDICA  | 1,000    |
| 4      | 29472       | ADAPTER AJF          | 1,000    |
| 5      | 29463       | ADAPTER CJM          | 1,000    |
| 6      | 29473       | ADAPTER LJM          | 1,000    |
| 7      | 30980       | HOSE                 | 1,000    |
| 8      | 29321       | ORBI.HOSE/RH JACK    | 1,000    |
| 9      | 29319       | HOSE GEAR PUMP/ORBI  | 1,000    |
| 10     | 29322       | T HOSE ORBIT.DISTR.  | 1,000    |
| 11     | 29282       | T HOSE ORBIT/DIST.   | 1,000    |
| 12     | 29034       | FILTER BACK HOSE     | 1,000    |
| 13     | 25007       | COLLAR 16/27         | 1,000    |
| 14     | 30017       | THERMALCONTACT       | 1,000    |
| 15     | 29179       | HYDRAULIC STEERING   | 1,000    |
| 16     | 29409       | OIL TANK             | 1,000    |
| 17     | 30000       | CORNER PIPETTE 16    | 1,000    |
| 18     | 25675       | HYDRO TANK SEAL      | 1,000    |
| 19     | 5020        | CHC M6X10 SCREW      | 1,000    |
| 20     | 29490       | FILTER CARTRIDGE     | 1,000    |
| 21     | 29316       | HOSE DIST.>FILTER    | 1,000    |
| 22     | 51646       | OIL FILTER           | 1,000    |
| 23     | 30282       | CAP + GASKET         | 1,000    |
| 24     | 30214       | O-RING               | 1,000    |
| 25     | 29048       | RING 12,8            | 1,000    |
| 26     | 29096       | DISTR.WIRING PDF CP  | 1,000    |
| 27     | 29998       | PILOT.CTRLLED CARTRD | 1,000    |
| 28     | 29986       | PRES.RELIEF VALVE H  | 1,000    |
| 29     | 29777       | H PTO DISTRIBUTOR    | 1,000    |
| 30     | 21270       | WASHER 6,4           | 1,000    |
| 31     | 29985       | ELECTROVALVE         | 1,000    |
| 32     | 29263       | DISTRIBUTOR COIL H   | 1,000    |
| 33     | 29984       | SCREW COIL H         | 1,000    |
| 34     | 29320       | DIST.HOSE TH BLOCK   | 1,000    |
| 35     | 29447       | T HOSE DIST>BODY     | 1,000    |
| 36     | 29312       | MOTOR DRAIN HOSE RH  | 1,000    |
| 37     | 51109       | FILTER SHAFT         | 1,000    |
| 38     | 29461       | ADAPTER AJM          | 1,000    |
| 39     | 30001       | CORNER PIPETTE 6     | 1,000    |
| 40     | 29317       | HOSE TANK/BOOST.PUM  | 1,000    |
| 41     | 71201       | NUT M6               | 1,000    |

| Number | Part Number | Name                | Quantity |
|--------|-------------|---------------------|----------|
| 42     | 29450       | ADAPTER CJM         | 1,000    |
| 43     | 29457       | ADAPTER CJM         | 1,000    |
| 44     | 29443       | DISTRIBUTOR BODY    | 1,000    |
| 45     | 27098       | DISTRIB.PLUG 1/4    | 1,000    |
| 46     | 27126       | COUPLER HOOD        | 1,000    |
| 47     | 38562       | AIR FILTER          | 1,000    |
| 48     | 29313       | MOTOR DRAIN HOSE LH | 1,000    |
| 49     | 27115       | UNION PIECE         | 1,000    |
| 50     | 27116       | MALE COUPLER 1/8    | 1,000    |
| 51     | 29670       | SUCTION HOSE PUMP99 | 1,000    |
| 53     | 29658       | PUMP SUCTION PIPETT | 1,000    |
| 54     | 29671       | O-RING 18,5X6       | 1,000    |
| 55     | 71413       | SCREW HM 8-20       | 1,000    |
| 56     | 29982       | ELECTRO DISTRIB. H  | 1,000    |
| 57     | 29446       | HOSE GEAR PUMP>DIST | 1,000    |
| 58     | 29459       | ADAPTER AJM         | 1,000    |
| 59     | 29297       | HOSE DIST.AM/COUP   | 1,000    |
| 60     | 29475       | FEMALE COUPLING 1/2 | 1,000    |
| 61     | 29474       | MALE COUPLING 3/8   | 1,000    |
| 62     | 27112       | COPPER SEAL         | 1,000    |
| 63     | 29785       | COUPLER EXTENSION   | 1,000    |
| 65     | 29462       | ADAPTER UMA         | 1,000    |
| 67     | 30721       | RELAY ASSEMBLY      | 1,000    |
| 68     | 1557        | NUT HM6             | 1,000    |
| 69     | 2235        | WASHER A6.4         | 1,000    |
| 70     | 29987       | DIVIDG ELECTROVALVE | 1,000    |
| 71     | 29410       | OIL FILTER          | 1,000    |
| 72     | 20686       | HEXAG. SCREW 6X55   | 1,000    |
| 73     | 29308       | PRESSURE TAPPING    | 1,000    |
| 74     | 53401       | FLOW DIVIDER        | 1,000    |
| 75     | 29307       | PUMP>FLOW DIV HOSE  | 1,000    |
| 76     | 53013       | COIL                | 1,000    |
| 78     | 53343       | DIVIDER WIRING      | 1,000    |
| 79     | 53344       | DIVIDER WIRING      | 1,000    |
| 81     | 53544       | Nouvelle pièce      | 1,000    |
| 82     | 53545       | Nouvelle pièce      | 1,000    |
| 83     | 53402       | ENGINE DISTRIBUTOR  | 1,000    |
| 85     | 53548       | Nouvelle pièce      | 1,000    |
| 86     | 29390       | BUSH BS G 1/4       | 1,000    |



H144M - H144MX

505.02



12/2019

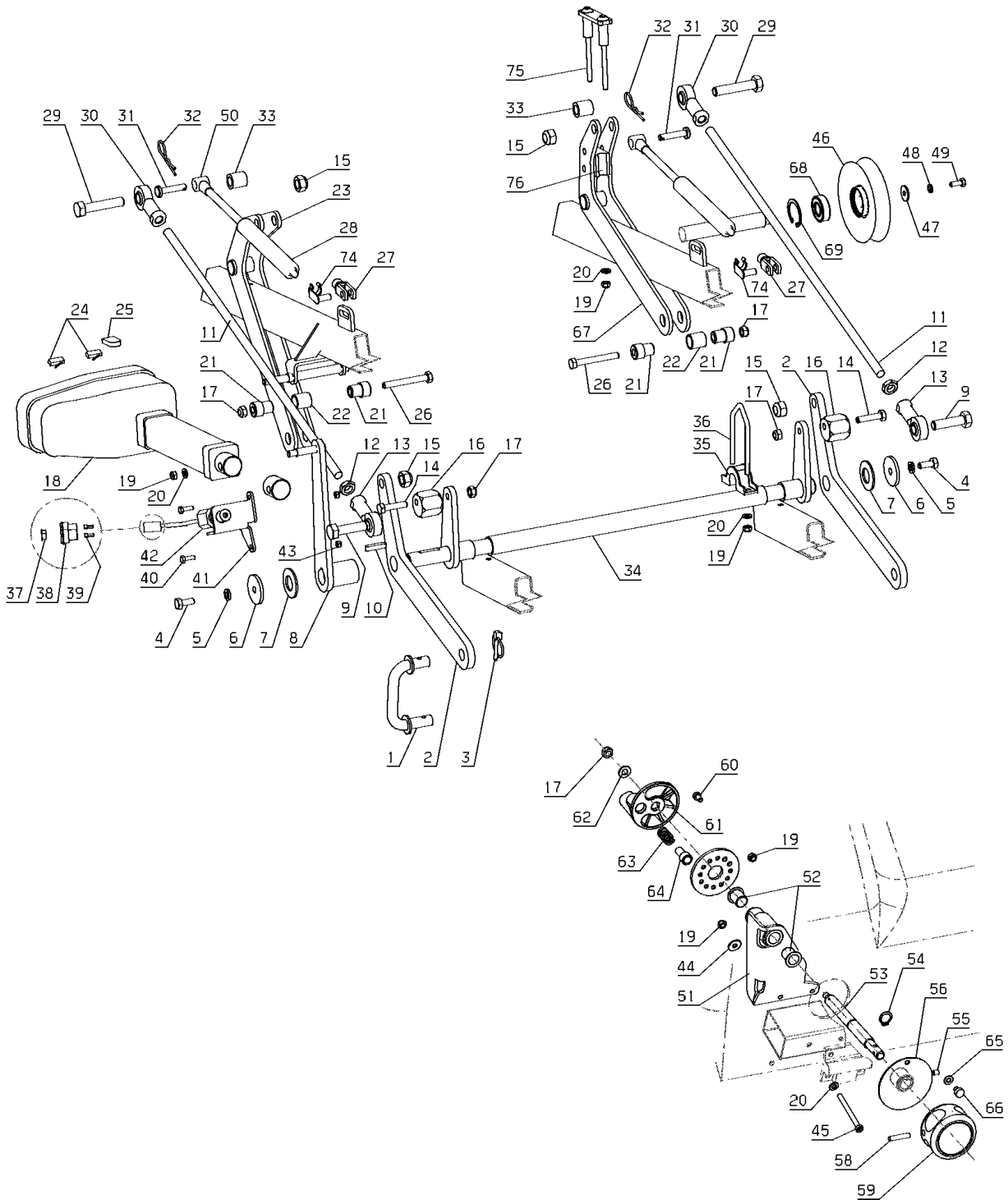


| Number | Part Number | Name                | Quantity |
|--------|-------------|---------------------|----------|
| 1      | 29209       | CUT.HEIGHT HANDLE   | 1,000    |
| 2      | 29203       | FRONT CUTTING H.ARM | 1,000    |
| 3      | 71005       | SAFETY PIN,DIN 1102 | 1,000    |
| 4      | 71413       | SCREW HM 8-20       | 1,000    |
| 5      | 71343       | SPRING WASHER A8    | 1,000    |
| 6      | 20021       | WASHER 8,5X40X4     | 1,000    |
| 7      | 7330        | WASHER              | 1,000    |
| 8      | 29822       | ELEC.RAM DRIVE ROD  | 1,000    |
| 9      | 71290       | H.SCREW M12X45 8,8  | 1,000    |
| 10     | 71006       | A-SHAPE KEY,DIN 688 | 1,000    |
| 11     | 29204       | DRIVE ROD           | 1,000    |
| 12     | 71320       | THIN NUT M12X175    | 1,000    |
| 13     | 29206       | M12 KNUCKLE R.H     | 1,000    |
| 14     | 7038        | SCREW,DIN933 H M 8X | 1,000    |
| 15     | 71157       | NUT AUTOFR.HM12     | 1,000    |
| 16     | 28040       | CUTTING HEIGHT STOP | 1,000    |
| 17     | 71205       | SCREW M8            | 1,000    |
| 18     | 29771       | -> 53685 + 54644    | 1,000    |
| 19     | 71201       | NUT M6              | 1,000    |
| 20     | 2235        | WASHER A6.4         | 1,000    |
| 21     | 29217       | CENTRING BUSH       | 1,000    |
| 22     | 29030       | SPACER CUT.H ARM    | 1,000    |
| 23     | 35435       | RIGHT CUT.HG.ARM    | 1,000    |
| 24     | 29997       | CYLIND.TRAVEL LIMIT | 1,000    |
| 25     | 29996       | ELECTRIC RAM CAP    | 1,000    |
| 26     | 20633       | HEX.SCREW 8X65      | 1,000    |
| 27     | 71077       | YOKE DIN 71751 8X32 | 1,000    |
| 28     | 30435       | CUTT.HEIGHT GAS JAC | 1,000    |
| 29     | 71291       | H.SCREW M12X60 8,8  | 1,000    |
| 30     | 29205       | M12 KNUCKLE L.H     | 1,000    |
| 31     | 29180       | GAS JACK SHAFT      | 1,000    |
| 32     | 27066       | PIN                 | 1,000    |
| 33     | 29211       | SPACER              | 1,000    |
| 34     | 29821       | FRONT AXLE          | 1,000    |
| 35     | 30404       | STRAP + NOTCH       | 1,000    |
| 36     | 30405       | FLANGE STRAP        | 1,000    |
| 37     | 30180       | FEMALE 2 WAY BLOCK  | 1,000    |
| 38     | 30179       | 2 WAY FEM.CONNECTOR | 1,000    |
| 39     | 30178       | DEUTSCH MALE THIMBL | 1,000    |
| 40     | 2009        | BOLT M5X16          | 1,000    |
| 41     | 30235       | STOP SWITCH BRACKET | 1,000    |

| Number | Part Number | Name                | Quantity |
|--------|-------------|---------------------|----------|
| 42     | 30234       | PUSH SWITCH         | 1,000    |
| 43     | 37561       | NUT                 | 1,000    |
| 44     | 21270       | WASHER 6,4          | 1,000    |
| 45     | 71419       | CHC M6X70 SCREW     | 1,000    |
| 46     | 26156       | BELT TIGHTENER PULL | 1,000    |
| 47     | 22029       | FLAT WASHER 6,5     | 1,000    |
| 48     | 71049       | SPRING WASHER,DIN 1 | 1,000    |
| 49     | 37997       | SCREW HM6-16 8.8    | 1,000    |
| 50     | 29967       | YOKE CUT.HEIGHT RAM | 1,000    |
| 51     | 30227       | CUT.HEIG.STOP BRACK | 1,000    |
| 52     | 28070       | SLEEVE 15/17/20     | 1,000    |
| 53     | 30231       | CAM CONNECT.SHAFT   | 1,000    |
| 54     | 71047       | CIRCLIP DIN 471 15X | 1,000    |
| 55     | 71355       | HEX.SCREW M6X10     | 1,000    |
| 56     | 30241       | CUT.HEIG.IND.PLATE  | 1,000    |
| 58     | 71248       | SPIRAL PIN 5X26     | 1,000    |
| 59     | 30232       | CUTT.HEIGHT BUTTON  | 1,000    |
| 60     | 5020        | CHC M6X10 SCREW     | 1,000    |
| 61     | 30226       | CAM SWITCH          | 1,000    |
| 62     | 7335        | WASHER              | 1,000    |
| 63     | 40173       | ADJUST - SPRING.    | 1,000    |
| 64     | 30233       | BLOCKING SHAFT      | 1,000    |
| 65     | 20564       | WASHER 5,5          | 1,000    |
| 66     | 71245       | RIVET 9X1,5X5,5     | 1,000    |
| 67     | 35437       | LEFT CUT.HEIGHT ARM | 1,000    |
| 68     | 25112       | BALL BEARING,6202 S | 1,000    |
| 69     | 71039       | CIRCLIP,DIN 427 35X | 1,000    |
| 74     | 71169       | STUD 8X32           | 1,000    |
| 75     | 35384       | WELDED FLANGE       | 1,000    |
| 76     | 35500       | ABSORBER STRAP      | 1,000    |

H124DS - H144M - H144MX

506.02



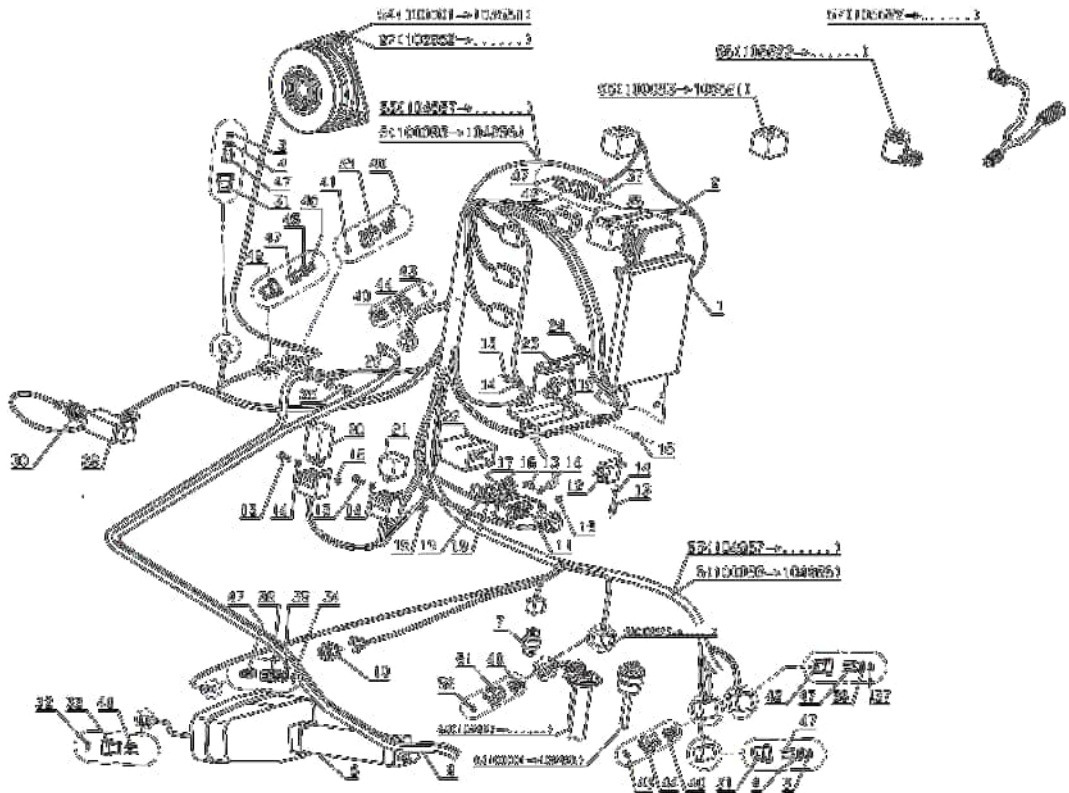
03/2013

| Number | Part Number | Name                | Quantity |
|--------|-------------|---------------------|----------|
| 1      | 30721       | RELAY ASSEMBLY      | 1,000    |
| 2      | 29872       | KIT REGULATOR       | 1,000    |
| 3      | 30191       | KEY 4WAYS M.CONNECT | 1,000    |
| 4      | 30186       | 4WAY M.CONNECT.GASK | 1,000    |
| 5      | 30722       | WIRING              | 1,000    |
| 6      | 29272       | FUEL LEVEL INDICAT. | 1,000    |
| 7      | 30017       | THERMALCONTACT      | 1,000    |
| 8      | 29771       | -> 53685 + 54644    | 1,000    |
| 9      | 30297       | POWER WIRING        | 1,000    |
| 10     | 29491       | ELECT.COLMAT.INDICA | 1,000    |
| 11     | 29193       | FUSE HOLDER         | 1,000    |
| 12     | 28392       | WATERPROOF RELAY    | 1,000    |
| 13     | 2009        | BOLT M5X16          | 1,000    |
| 14     | 20564       | WASHER 5,5          | 1,000    |
| 15     | 37561       | NUT                 | 1,000    |
| 16     | 25828       | FUSE 25A 12V        | 1,000    |
| 17     | 29643       | FUSE 15A 12V        | 1,000    |
| 18     | 25824       | FUSE 20A 12V        | 1,000    |
| 19     | 29562       | 15A BREAKER         | 1,000    |
| 20     | 29484       | PREFIRE RELAY       | 1,000    |
| 21     | 29563       | BLINKER UNIT        | 1,000    |
| 22     | 29404       | FUSE HOLDER CAP     | 1,000    |
| 23     | 29561       | BRACKET ELEC.COMPON | 1,000    |
| 24     | 5020        | CHC M6X10 SCREW     | 1,000    |
| 25     | 71372       | IN.HEX.SCREW M8X16  | 1,000    |
| 26     | 7335        | WASHER              | 1,000    |
| 27     | 37042       | CLUTCH GT 2.5       | 1,000    |
| 28     | 29257       | SAFETY SWITCH       | 1,000    |
| 30     | 29789       | CONTACTOR GROMMET   | 1,000    |
| 31     | 30195       | 4 WAY CONNECTOR M   | 1,000    |
| 32     | 30183       | FEM.6 WAY BLOCK     | 1,000    |
| 33     | 30182       | 6 WAY FEM.CONNECTOR | 1,000    |
| 34     | 30192       | KEY 6WAYS M.CONNECT | 1,000    |
| 35     | 30187       | 6 WAY MALE GASKET   | 1,000    |
| 36     | 30196       | 6WAYS MALE CONNECT. | 1,000    |
| 37     | 30193       | 12WAYS M.CONNEC.KEY | 1,000    |
| 38     | 30188       | 12WAY M.CONNEC.GASK | 1,000    |
| 39     | 30179       | 2 WAY FEM.CONNECTOR | 1,000    |
| 40     | 30178       | DEUTSCH MALE THIMBL | 1,000    |
| 41     | 30180       | FEMALE 2 WAY BLOCK  | 1,000    |
| 42     | 30197       | 12WAYS MALE CONNECT | 1,000    |

| Number | Part Number | Name                | Quantity |
|--------|-------------|---------------------|----------|
| 43     | 30199       | 12WAYS M.CONNEC.KEY | 1,000    |
| 44     | 30184       | 12WAYS FEM.CONNECT. | 1,000    |
| 45     | 30185       | 2 WAYS MALE BLOCK   | 1,000    |
| 46     | 30190       | SHIM CONNECT.2 WAY  | 1,000    |
| 47     | 30200       | THIMBLE DEUTSCH F.  | 1,000    |
| 48     | 30194       | 2 WAY CONNECTOR     | 1,000    |
| 49     | 30899       | FUEL GAUGE          | 1,000    |
| 50     | 30648       | TANK CONNEC. KIT    | 1,000    |
| 51     | 30181       | 4WAYS FEM.CONNECTOR | 1,000    |
| 52     | 30198       | KEY4WAYS FEM.CONNEC | 1,000    |
| 53     | 51960       | ELECTRICAL WIRING   | 1,000    |
| 54     | 37055       | BLADE CLUTCH KIT    | 1,000    |
| 55     | 29263       | DISTRIBUTOR COIL H  | 1,000    |
| 56     | 53013       | COIL                | 1,000    |
| 57     | 53343       | DIVIDER WIRING      | 1,000    |

H144M - H144MX

807.02



12/2019

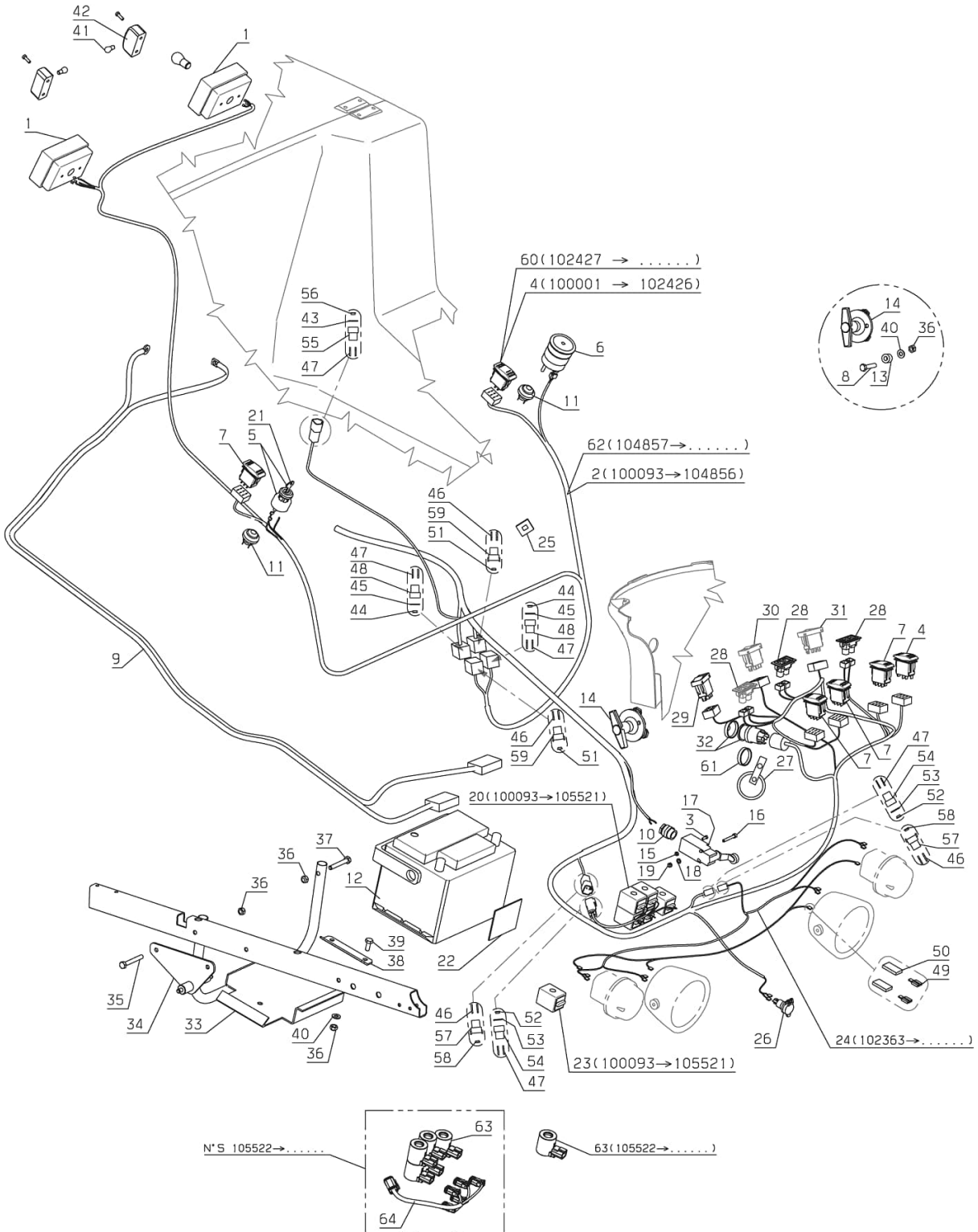
| Number | Part Number | Name                | Quantity |
|--------|-------------|---------------------|----------|
| 1      | 29314       | BACK LIGHT          | 1,000    |
| 2      | 30732       | COVER WIRING        | 1,000    |
| 3      | 71352       | SCREW M4X10         | 1,000    |
| 4      | 52497       | SWITCH ON/OFF LIGHT | 1,000    |
| 5      | 29254       | KEY SWITCH + 2 KEYS | 1,000    |
| 6      | 52779       | HOUR METER          | 1,000    |
| 7      | 52495       | SWITCH ON/OFF/ON    | 1,000    |
| 8      | 71438       | SCREW B HC M8X35    | 1,000    |
| 9      | 30297       | POWER WIRING        | 1,000    |
| 10     | 29789       | CONTACTOR GROMMET   | 1,000    |
| 11     | 30296       | PUSH BUTTON         | 1,000    |
| 12     | 29252       | -> 100215           | 1,000    |
| 13     | 40068       | BRACE               | 1,000    |
| 14     | 30295       | BATTERY FUSE        | 1,000    |
| 15     | 21525       | NUT HM4             | 1,000    |
| 16     | 5399        | BOLT M5X40          | 1,000    |
| 17     | 29257       | SAFETY SWITCH       | 1,000    |
| 18     | 20564       | WASHER 5,5          | 1,000    |
| 19     | 37561       | NUT                 | 1,000    |
| 20     | 29096       | DISTR.WIRING PDF CP | 1,000    |
| 21     | 29534       | SET OF 2 KEYS       | 1,000    |
| 22     | 13129       | BATTERY LABEL       | 1,000    |
| 23     | 29263       | DISTRIBUTOR COIL H  | 1,000    |
| 24     | 30597       | FRONT LIGHTS WIRING | 1,000    |
| 25     | 29576       | COVER WIRING FAST.  | 1,000    |
| 26     | 25822       | FEMALE 2 WIR.CONNEC | 1,000    |
| 27     | 28209       | ALARM               | 1,000    |
| 28     | 25775       | DOUBLE RELAY LAN    | 1,000    |
| 29     | 29299       | SWICH ON/OFF/ON C11 | 1,000    |
| 30     | 29260       | SWITCH ON/OFF/ON V  | 1,000    |
| 31     | 29262       | SWITCH ON/OFF/ON R  | 1,000    |
| 32     | 29624       | BLINKER UNIT        | 1,000    |
| 33     | 29807       | BATTERY BRACKET     | 1,000    |
| 34     | 29556       | -> 52180            | 1,000    |
| 35     | 20513       | SCREW,DIN 933 H M 8 | 1,000    |
| 36     | 71205       | SCREW M8            | 1,000    |
| 37     | 21687       | HEXAGON SCREW,DIN 9 | 1,000    |
| 38     | 29270       | BATTERY CORNER FAST | 1,000    |
| 39     | 71413       | SCREW HM 8-20       | 1,000    |
| 40     | 7335        | WASHER              | 1,000    |
| 41     | 25094       | LAMP 10W            | 1,000    |

| Number | Part Number | Name                | Quantity |
|--------|-------------|---------------------|----------|
| 42     | 30021       | -> 55458            | 1,000    |
| 43     | 30185       | 2 WAYS MALE BLOCK   | 1,000    |
| 44     | 30193       | 12WAYS M.CONNEC.KEY | 1,000    |
| 45     | 30188       | 12WAY M.CONNEC.GASK | 1,000    |
| 46     | 30178       | DEUTSCH MALE THIMBL | 1,000    |
| 47     | 30200       | THIMBLE DEUTSCH F.  | 1,000    |
| 48     | 30197       | 12WAYS MALE CONNECT | 1,000    |
| 49     | 30290       | THIMBLE             | 1,000    |
| 50     | 30291       | THIMBLE CAP         | 1,000    |
| 51     | 30199       | 12WAYS M.CONNEC.KEY | 1,000    |
| 52     | 30192       | KEY 6WAYS M.CONNECT | 1,000    |
| 53     | 30187       | 6 WAY MALE GASKET   | 1,000    |
| 54     | 30196       | 6WAYS MALE CONNECT. | 1,000    |
| 55     | 30194       | 2 WAY CONNECTOR     | 1,000    |
| 56     | 30190       | SHIM CONNECT.2 WAY  | 1,000    |
| 57     | 30182       | 6 WAY FEM.CONNECTOR | 1,000    |
| 58     | 30183       | FEM.6 WAY BLOCK     | 1,000    |
| 59     | 30184       | 12WAYS FEM.CONNECT. | 1,000    |
| 60     | 52494       | SWITCH              | 1,000    |
| 61     | 38126       | SPACER              | 1,000    |
| 62     | 51961       | ELECTRICAL WIRING   | 1,000    |
| 63     | 53013       | COIL                | 1,000    |
| 64     | 53344       | DIVIDER WIRING      | 1,000    |



H144M - H144MX

508.02

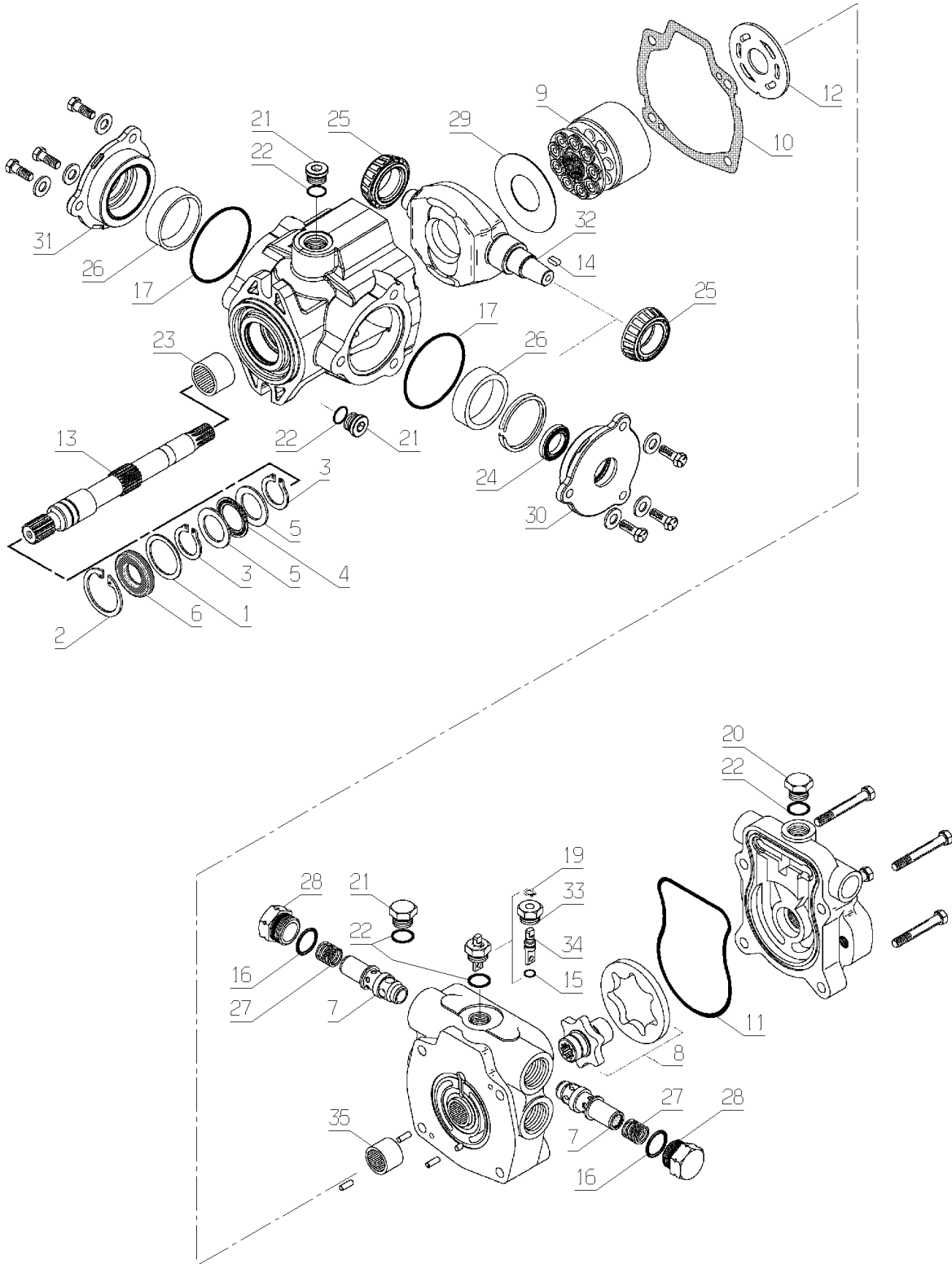


11/2019

| Number | Part Number | Name                | Quantity |
|--------|-------------|---------------------|----------|
| 1      | 29881       | WASHER              | 1,000    |
| 2      | 29882       | CIRCLIP             | 1,000    |
| 3      | 29883       | CIRCLIP             | 1,000    |
| 4      | 29884       | STUDED STOP         | 1,000    |
| 5      | 29885       | STUDED STOP WASHER  | 1,000    |
| 6      | 29886       | SHAFT WASHER        | 1,000    |
| 7      | 29887       | PRESS.RELIEF VALVE  | 1,000    |
| 8      | 29888       | BOOSTER PUMP        | 1,000    |
| 9      | 29889       | CYLINDER BLOCK      | 1,000    |
| 10     | 29890       | PUMP GASKET         | 1,000    |
| 11     | 29891       | O-RING              | 1,000    |
| 12     | 29892       | DISTRIBUTOR VALVE   | 1,000    |
| 13     | 29893       | PUMP INPUT SHAFT    | 1,000    |
| 14     | 30549       | KEY                 | 1,000    |
| 15     | 30674       | O-RING              | 1,000    |
| 16     | 30673       | O-RING              | 1,000    |
| 17     | 30672       | O-RING              | 1,000    |
| 19     | 30671       | CIRCLIP             | 1,000    |
| 20     | 30670       | CAP                 | 1,000    |
| 21     | 30669       | CAP                 | 1,000    |
| 22     | 30668       | O-RING              | 1,000    |
| 23     | 30667       | NEEDLE BEARING      | 1,000    |
| 24     | 29895       | DRIVE SHAFT GASKET  | 1,000    |
| 25     | 30666       | CONIC.NEEDL.BEARING | 1,000    |
| 26     | 30665       | SPACER              | 1,000    |
| 27     | 30663       | SPRING              | 1,000    |
| 28     | 30662       | CAP                 | 1,000    |
| 29     | 30661       | WASHER              | 1,000    |
| 30     | 30660       | UPPER COVER         | 1,000    |
| 31     | 30659       | LOWER COVER         | 1,000    |
| 32     | 30658       | CAM PLATE           | 1,000    |
| 33     | 30657       | CAP                 | 1,000    |
| 34     | 30578       | SEPARATOR           | 1,000    |
| 35     | 30577       | NEEDLE BEARING      | 1,000    |

30019

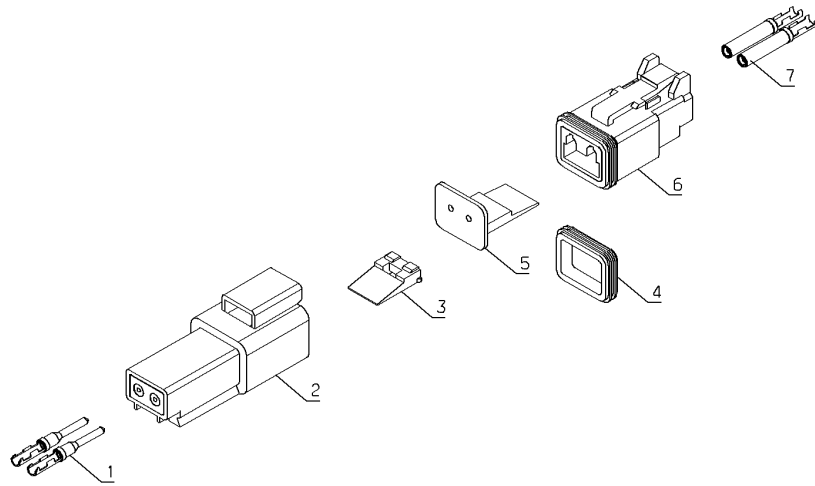
509.02



04/2007

| Number | Part Number | Name                | Quantity |
|--------|-------------|---------------------|----------|
| 1      | 30178       | DEUTSCH MALE THIMBL | 1,000    |
| 2      | 30179       | 2 WAY FEM.CONNECTOR | 1,000    |
| 3      | 30180       | FEMALE 2 WAY BLOCK  | 1,000    |
| 4      | 30185       | 2 WAYS MALE BLOCK   | 1,000    |
| 5      | 30190       | SHIM CONNECT.2 WAY  | 1,000    |
| 6      | 30194       | 2 WAY CONNECTOR     | 1,000    |
| 7      | 30200       | THIMBLE DEUTSCH F.  | 1,000    |

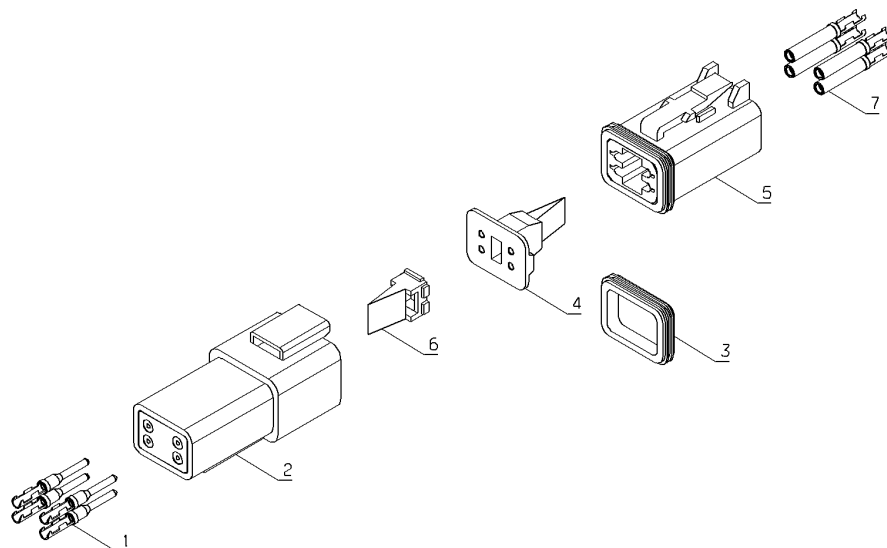
PL01232



02/2011

| Number | Part Number | Name                | Quantity |
|--------|-------------|---------------------|----------|
| 1      | 30178       | DEUTSCH MALE THIMBL | 1,000    |
| 2      | 30181       | 4WAYS FEM.CONNECTOR | 1,000    |
| 3      | 30186       | 4WAY M.CONNECT.GASK | 1,000    |
| 4      | 30191       | KEY 4WAYS M.CONNECT | 1,000    |
| 5      | 30195       | 4 WAY CONNECTOR M   | 1,000    |
| 6      | 30198       | KEY4WAYS FEM.CONNEC | 1,000    |
| 7      | 30200       | THIMBLE DEUTSCH F.  | 1,000    |

PL01233

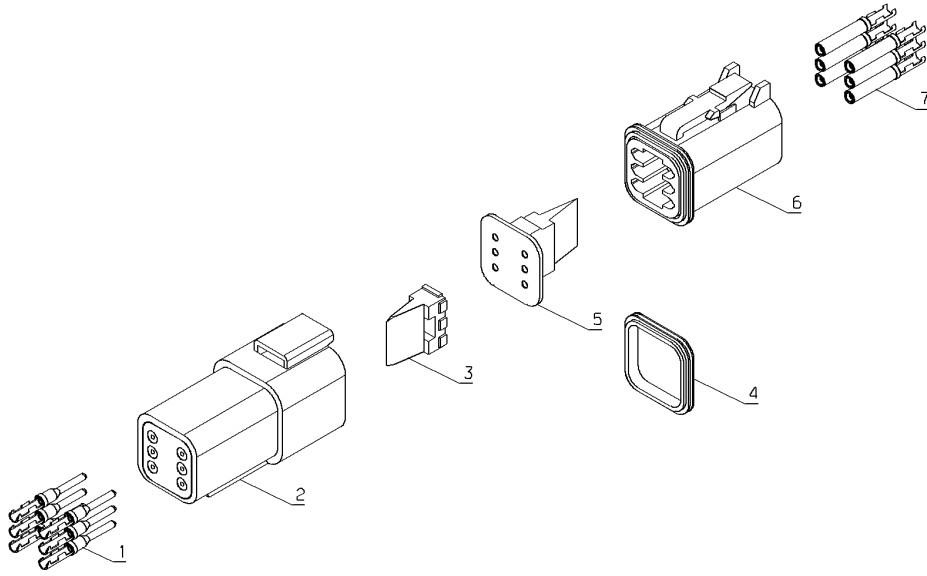


02/2011

| Number | Part Number | Name                | Quantity |
|--------|-------------|---------------------|----------|
| 1      | 30178       | DEUTSCH MALE THIMBL | 1,000    |
| 2      | 30182       | 6 WAY FEM.CONNECTOR | 1,000    |
| 3      | 30183       | FEM.6 WAY BLOCK     | 1,000    |
| 4      | 30187       | 6 WAY MALE GASKET   | 1,000    |
| 5      | 30192       | KEY 6WAYS M.CONNECT | 1,000    |
| 6      | 30196       | 6WAYS MALE CONNECT. | 1,000    |
| 7      | 30200       | THIMBLE DEUTSCH F.  | 1,000    |



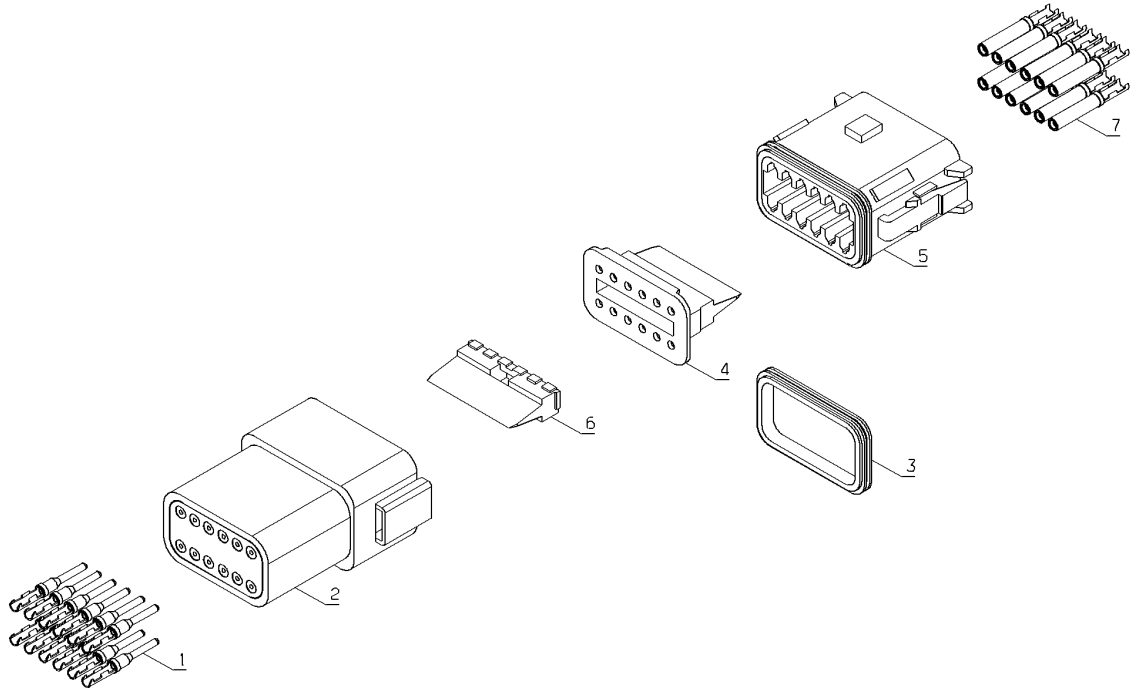
PL01235



02/2011

| Number | Part Number | Name                | Quantity |
|--------|-------------|---------------------|----------|
| 1      | 30178       | DEUTSCH MALE THIMBL | 1,000    |
| 2      | 30184       | 12WAYS FEM.CONNECT. | 1,000    |
| 3      | 30188       | 12WAY M.CONNEC.GASK | 1,000    |
| 4      | 30193       | 12WAYS M.CONNEC.KEY | 1,000    |
| 5      | 30197       | 12WAYS MALE CONNECT | 1,000    |
| 6      | 30199       | 12WAYS M.CONNEC.KEY | 1,000    |
| 7      | 30200       | THIMBLE DEUTSCH F.  | 1,000    |

PL01237

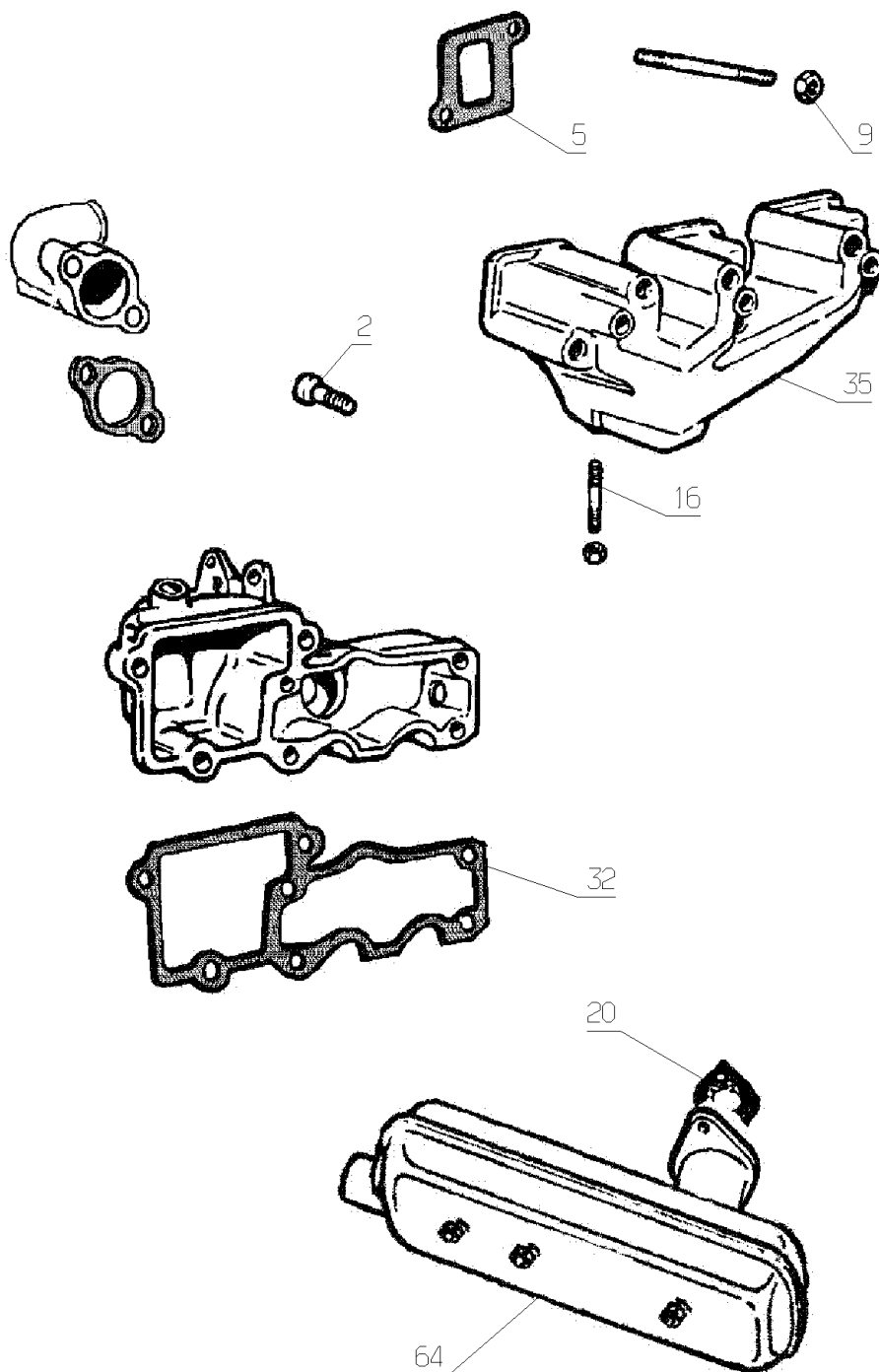


02/2011

| Number | Part Number | Name                | Quantity |
|--------|-------------|---------------------|----------|
| 2      | 22032       | SCREW M8X35         | 1,000    |
| 5      | 29827       | EXHAUST GASKET LDW  | 1,000    |
| 9      | 30536       | MUFFLER BRASS NUT   | 1,000    |
| 16     | 30547       | EXHAUST COLLECT.PIN | 1,000    |
| 20     | 29850       | FOCS EXHAUST GASKET | 1,000    |
| 32     | 30542       | GASKET              | 1,000    |
| 35     | 30545       | EXHAUST COLLECTOR   | 1,000    |
| 64     | 29102       | MUFFLER             | 1,000    |

LOMBARDINI  
FOCS LDW  
903 / 1003

520.01



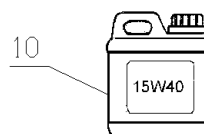
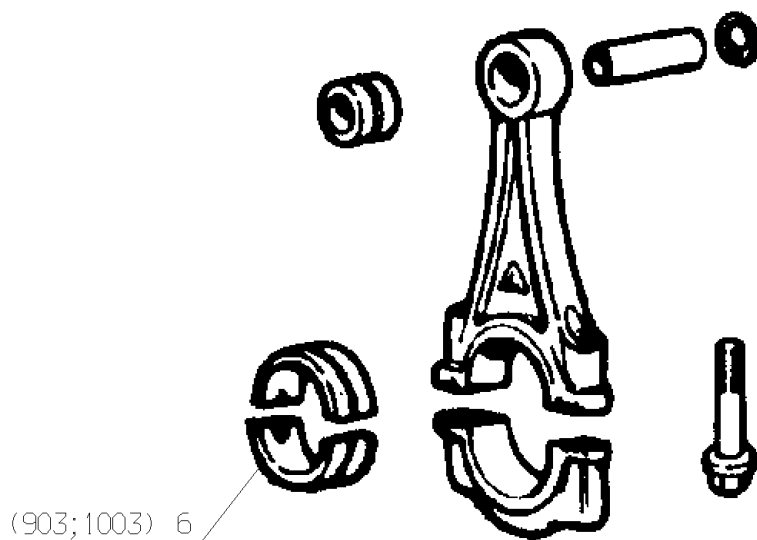
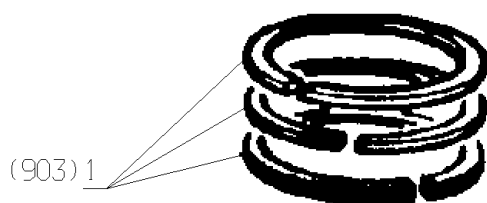
LES PIECES NON LISTEES SONT A COMMANDER CHEZ LOMBARDINI  
TEILE DIE KEINE NUMMER HABEN SIND BEI LOMBARDINI BESTELLBAR  
PARTS WHO ARE NOT LISTED COULD BE ORDERED BY LOMBARDINI

11-2004

| Number | Part Number | Name                | Quantity |
|--------|-------------|---------------------|----------|
| 1      | 30519       | SET OF PISTON RINGS | 1,000    |
| 6      | 30528       | BEARING             | 1,000    |
| 10     | 29591       | -> 54934            | 1,000    |

LOMBARDINI  
FOCS LDW  
903 / 1003

522.01

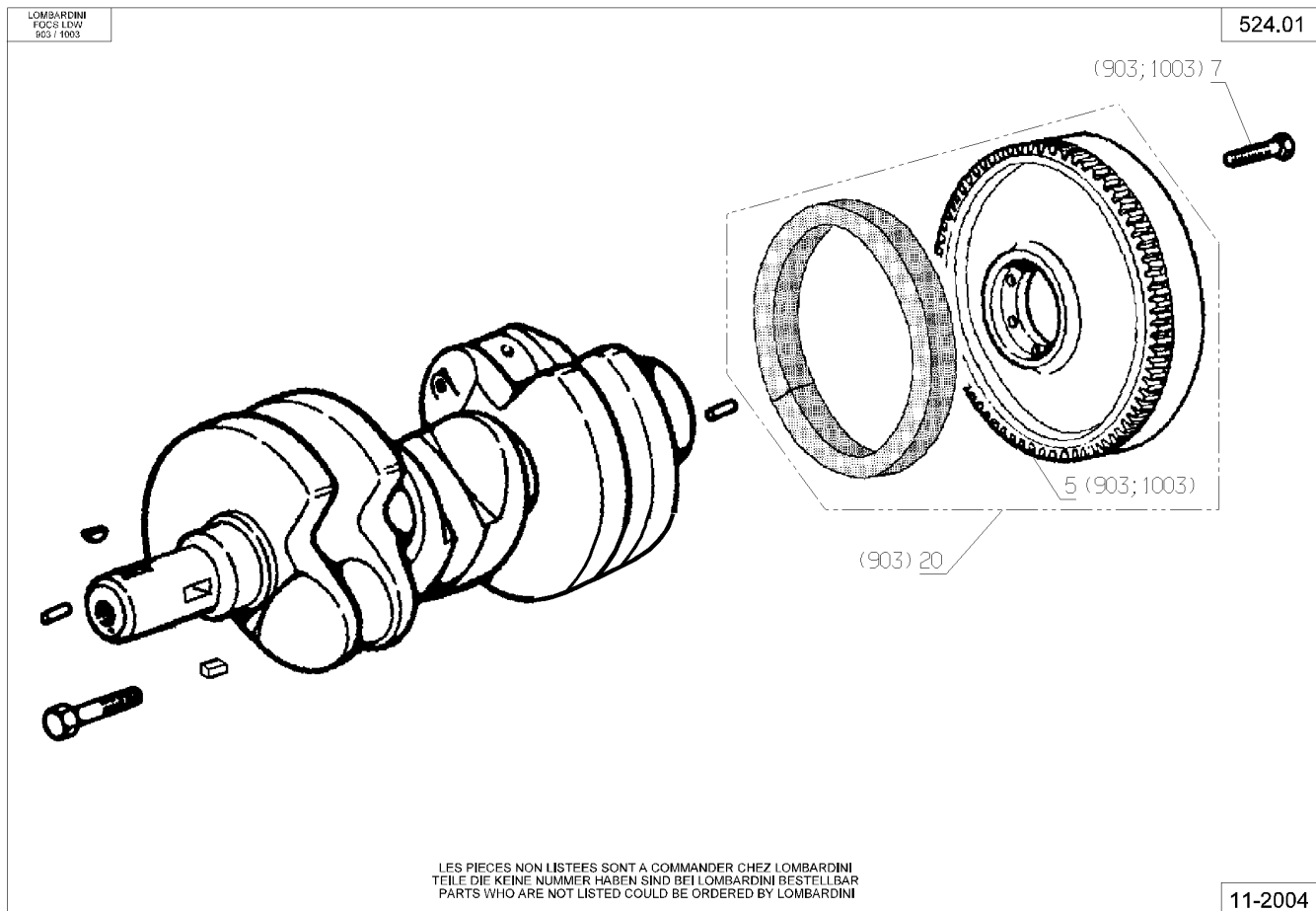


LES PIÈCES NON LISTÉES SONT À COMMANDER CHEZ LOMBARDINI  
TEILE DIE KEINE NUMMER HABEN SIND BEI LOMBARDINI BESTELLBAR  
PARTS WHO ARE NOT LISTED COULD BE ORDERED BY LOMBARDINI

11-2004

| Number | Part Number | Name              | Quantity |
|--------|-------------|-------------------|----------|
| 5      | 30563       | FLYWHEEL          | 1,000    |
| 7      | 71242       | HEX.SCREW HM10X35 | 1,000    |
| 20     | 30523       | FLYWHEEL          | 1,000    |

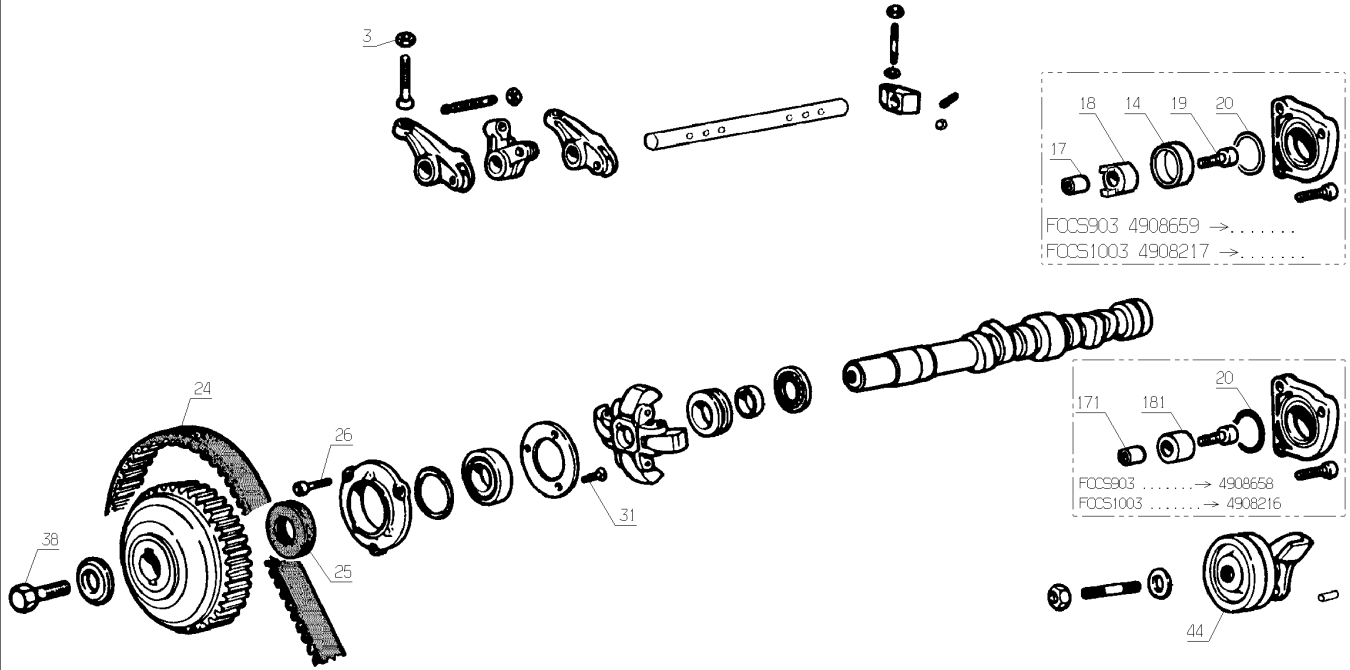




| Number | Part Number | Name                | Quantity |
|--------|-------------|---------------------|----------|
| 3      | 1557        | NUT HM6             | 1,000    |
| 14     | 34010       | RING                | 1,000    |
| 17     | 34009       | CENT.BUSH           | 1,000    |
| 18     | 34012       | ECCENT.PIN          | 1,000    |
| 19     | 34041       | SCREW               | 1,000    |
| 20     | 30531       | O-RING ACCESS.      | 1,000    |
| 24     | 30506       | TIMING BELT         | 1,000    |
| 25     | 30574       | SEAL 35.52.9        | 1,000    |
| 26     | 5318        | HEX.SCREW M6X16     | 1,000    |
| 31     | 71137       | BOLT M6X16          | 1,000    |
| 38     | 70086       | HEXAGON SCREW,DIN 9 | 1,000    |
| 44     | 30584       | TENSION ROLLER      | 1,000    |
| 171    | 30529       | CENTRING BUSH       | 1,000    |
| 181    | 30533       | HOLLOW GEAR 3 PTO   | 1,000    |

LOMBARDINI  
FOCS LOW  
903 / 1003

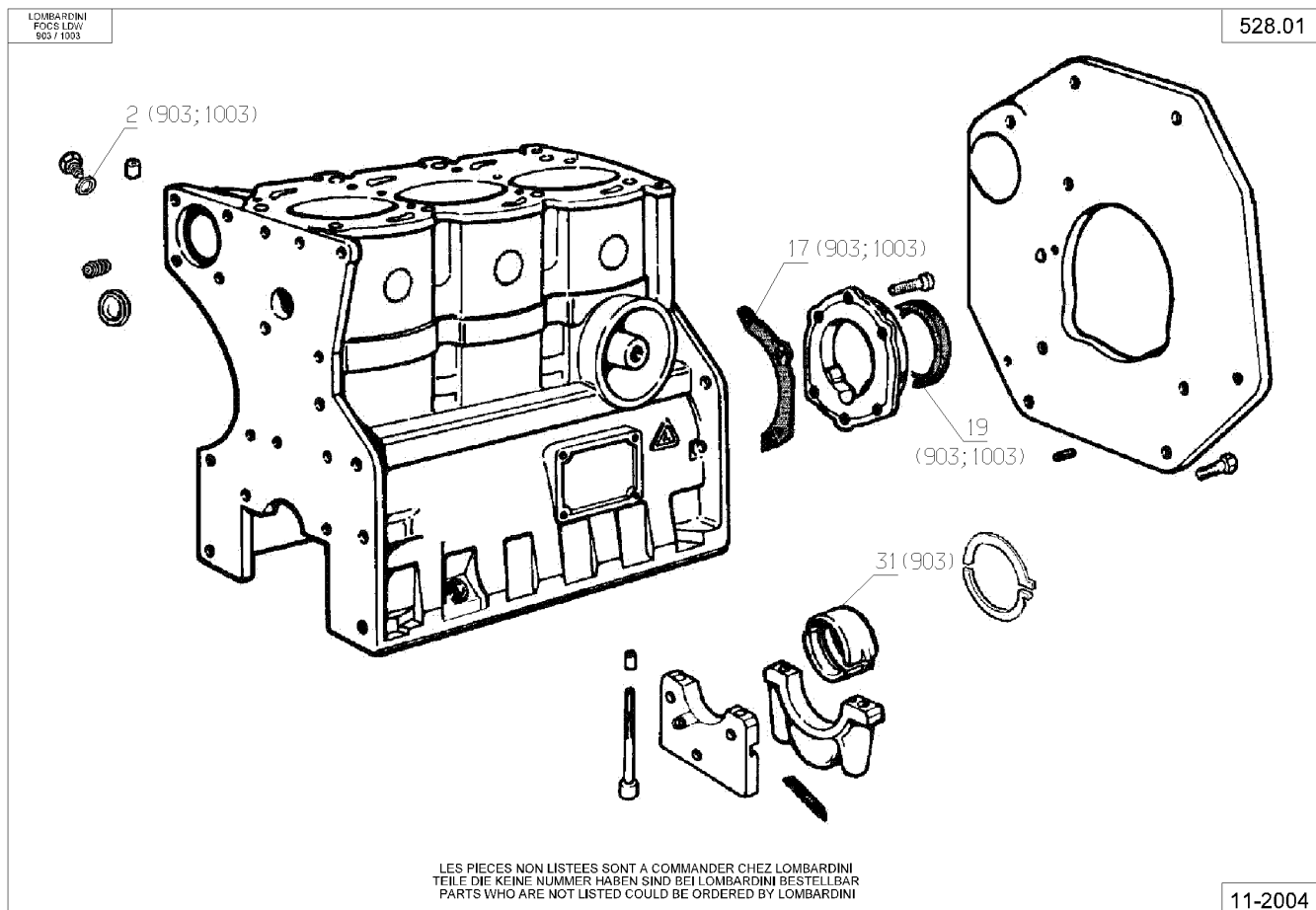
526.01



LES PIÈCES NON LISTÉES SONT À COMMANDER CHEZ LOMBARDINI  
TEILE DIE KEINE NUMMER HABEN SIND BEI LOMBARDINI BESTELLBAR  
PARTS WHO ARE NOT LISTED COULD BE ORDERED BY LOMBARDINI

03/2008

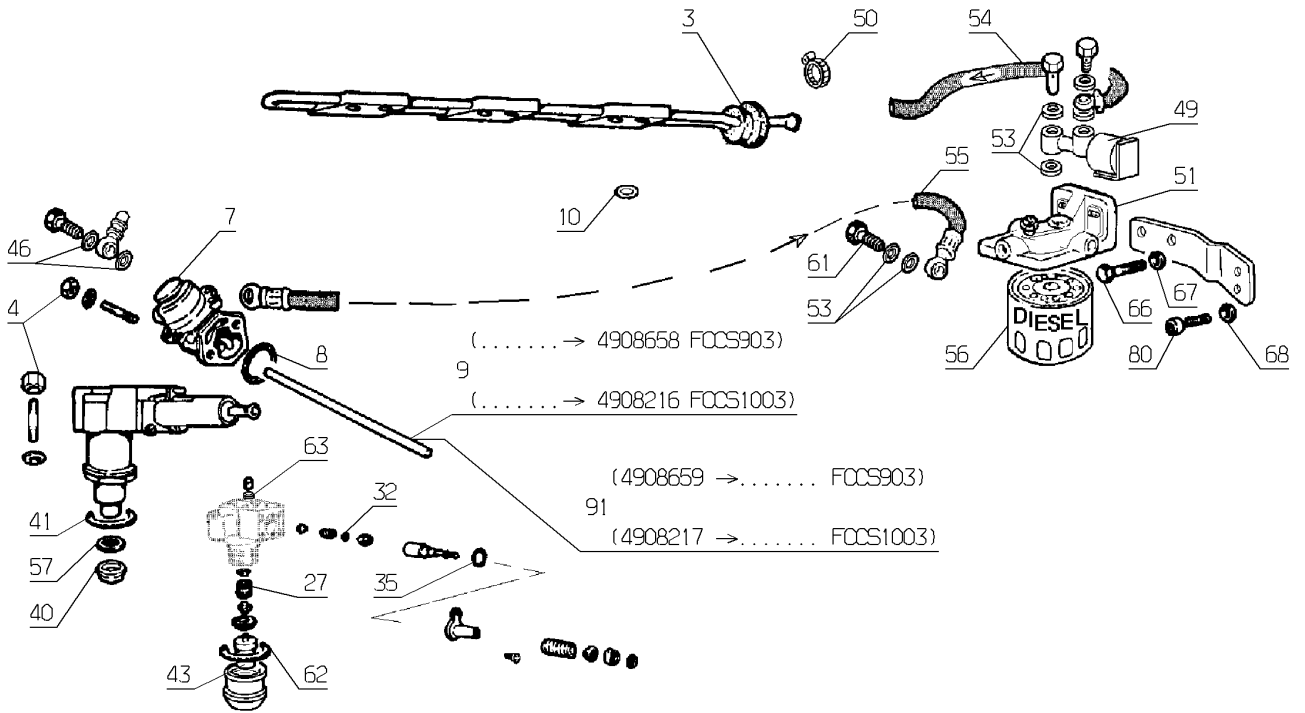
| Number | Part Number | Name          | Quantity |
|--------|-------------|---------------|----------|
| 2      | 30588       | COPPER SEAL   | 1,000    |
| 17     | 30591       | CASING GASKET | 1,000    |
| 19     | 30502       | OIL SEAL      | 1,000    |
| 31     | 30526       | BEARING       | 1,000    |



| Number | Part Number | Name                | Quantity |
|--------|-------------|---------------------|----------|
| 3      | 30601       | FUEL RAIL GASKET    | 1,000    |
| 4      | 2020        | NUT HM8             | 1,000    |
| 7      | 30516       | DIESEL PUMP         | 1,000    |
| 8      | 30603       | DIAPHRAGM PUMP SEAL | 1,000    |
| 9      | 30535       | DIESEL PUMP DRIVE R | 1,000    |
| 10     | 30604       | O-RING 9,25         | 1,000    |
| 27     | 31005       | WASHER KIT          | 1,000    |
| 32     | 30628       | COPPER SEAL         | 1,000    |
| 35     | 30629       | O-RING 20,35        | 1,000    |
| 40     | 30513       | FIRE RING           | 1,000    |
| 41     | 30632       | O-RING 26,70        | 1,000    |
| 43     | 30514       | INJECTOR NOZZLE     | 1,000    |
| 46     | 30635       | COPPER SEAL 10      | 1,000    |
| 49     | 30507       | FUEL SHOT OFF VALVE | 1,000    |
| 50     | 29686       | RING 10-19          | 1,000    |
| 51     | 34575       | FILTER BRACKET      | 1,000    |
| 53     | 30639       | COPPER SEAL 14      | 1,000    |
| 54     | 30525       | FEEDING HOSE 10     | 1,000    |
| 55     | 30524       | FEEDING HOSE 14     | 1,000    |
| 56     | 29583       | DIESEL FILTER       | 1,000    |
| 57     | 30640       | COPPER SEAL         | 1,000    |
| 61     | 34632       | VALVE HOSE          | 1,000    |
| 62     | 30642       | O-RING 25,12        | 1,000    |
| 63     | 30643       | METAL GASKET        | 1,000    |
| 66     | 70086       | HEXAGON SCREW,DIN 9 | 1,000    |
| 67     | 21036       | FLAT WASHER 10.5    | 1,000    |
| 68     | 71343       | SPRING WASHER A8    | 1,000    |
| 80     | 22011       | BOLT M 8X20         | 1,000    |
| 91     | 34026       | FUEL PUMP DR.ROD    | 1,000    |

LOMBARDINI  
FCCS LDW/  
903 / 1003

530.01



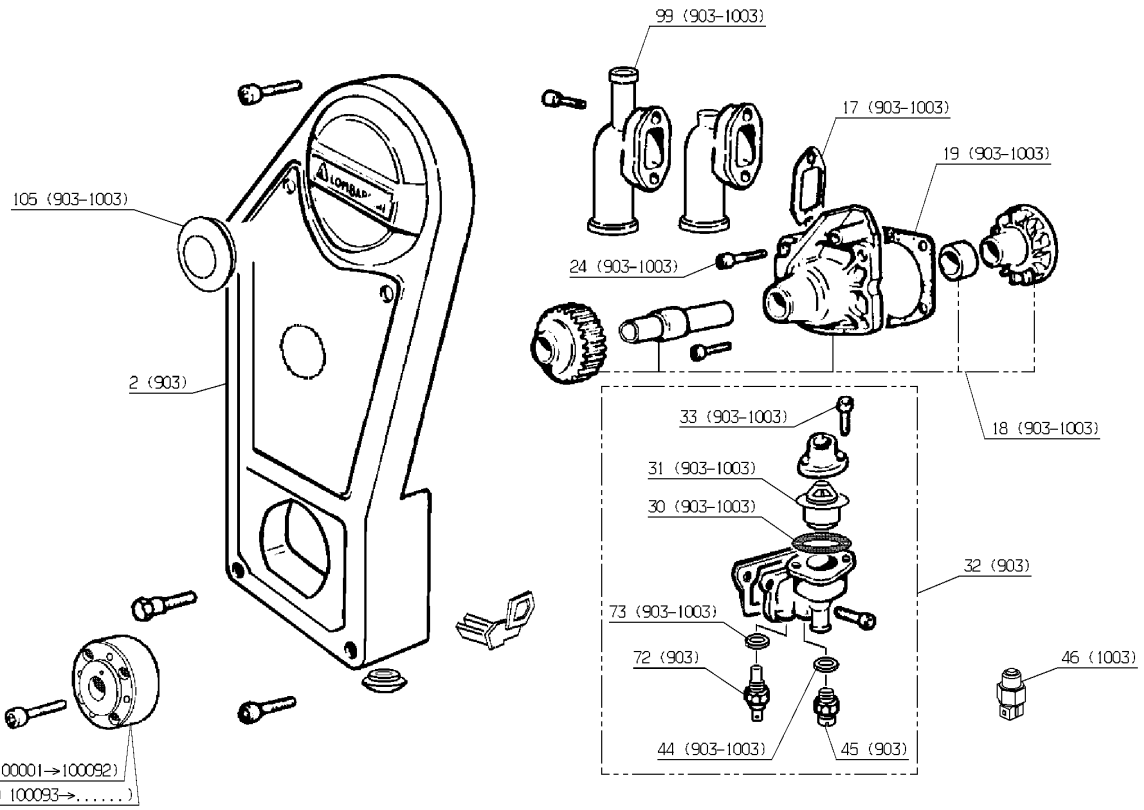
LES PIÈCES NON LISTÉES SONT À COMMANDER CHEZ LOMBARDINI  
TEILE DIE KEINE NUMMER HABEN SIND BEI LOMBARDINI BESTELLBAR  
PARTS WHO ARE NOT LISTED COULD BE ORDERED BY LOMBARDINI

02/2011

| Number | Part Number | Name                | Quantity |
|--------|-------------|---------------------|----------|
| 2      | 30646       | TIMING BELT COVER   | 1,000    |
| 17     | 30539       | GASKET              | 1,000    |
| 18     | 30515       | WATER PUMP          | 1,000    |
| 19     | 30647       | WATER PUMP GASKET   | 1,000    |
| 24     | 22032       | SCREW M8X35         | 1,000    |
| 30     | 30649       | VALVE O-RING        | 1,000    |
| 31     | 30650       | THERMOSTATIC VALVE  | 1,000    |
| 32     | 30512       | THERMOSTAT BOX      | 1,000    |
| 33     | 22011       | BOLT M 8X20         | 1,000    |
| 44     | 30651       | COPPER SEAL 16      | 1,000    |
| 45     | 29874       | COOLING THERM.SWITC | 1,000    |
| 46     | 34035       | WATER THERMOSTAT    | 1,000    |
| 72     | 29875       | PREFIR.THERM.SWITCH | 1,000    |
| 73     | 30639       | COPPER SEAL 14      | 1,000    |
| 99     | 30033       | HEATING RETURN PIPE | 1,000    |
| 103    | 29131       | CLUTCH COUPLING     | 1,000    |
| 104    | 30508       | CLUTCH COUPLING     | 1,000    |
| 105    | 30654       | TIM.BELT COVER CAP  | 1,000    |



LOMBARDINI  
FOCS LD/V  
903/1003



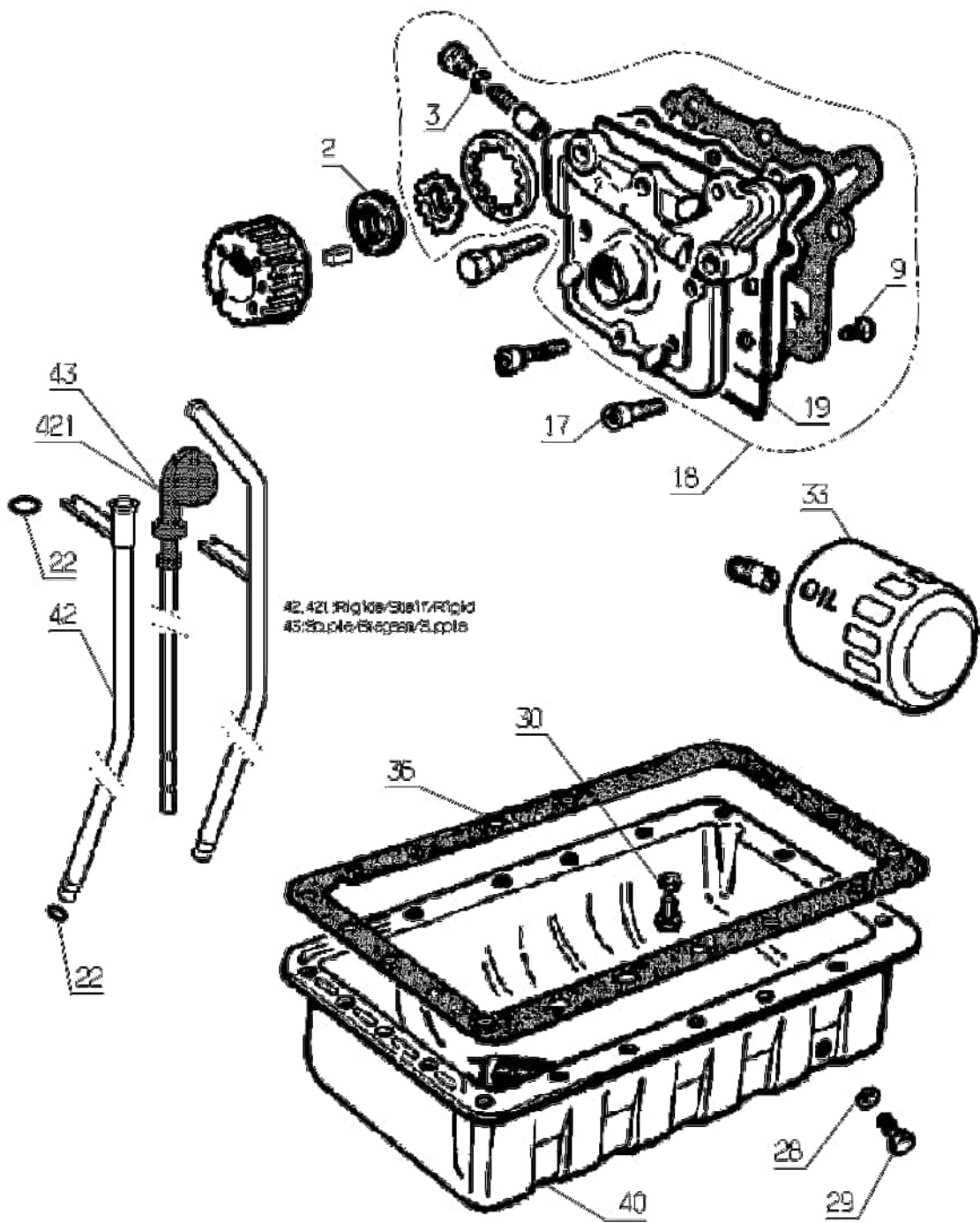
103(903, H124D 100001 -> 100092)  
104(903, H124D 100093 -> .....)

LES PIECES NON LISTEES SONT A COMMANDER CHEZ LOMBARDINI  
TEILE DIE KEINE NUMMER HABEN SIND BEI LOMBARDINI BESTELLBAR  
PARTS WHO ARE NOT LISTED COULD BE ORDERED BY LOMBARDINI

| Number | Part Number | Name                | Quantity |
|--------|-------------|---------------------|----------|
| 2      | 30501       | SEAL OIL PUMP       | 1,000    |
| 3      | 30588       | COPPER SEAL         | 1,000    |
| 9      | 71137       | BOLT M6X16          | 1,000    |
| 17     | 22011       | BOLT M 8X20         | 1,000    |
| 18     | 30537       | OIL PUMP COMPLETE   | 1,000    |
| 19     | 30664       | PUMP HOUSING GASKET | 1,000    |
| 22     | 34002       | GASKET              | 1,000    |
| 28     | 30500       | OIL DRAIN SCRE.GASK | 1,000    |
| 29     | 30522       | DRAIN PLUG          | 1,000    |
| 30     | 2235        | WASHER A6.4         | 1,000    |
| 33     | 29584       | ENGINE OIL FILTER   | 1,000    |
| 36     | 30548       | CRANKCASE GASKET    | 1,000    |
| 40     | 30517       | ENGINE CRANKCASE    | 1,000    |
| 42     | 30504       | OIL GAUGE TUBE      | 1,000    |
| 43     | 30540       | OIL GAUGE           | 1,000    |
| 421    | 30503       | OIL GAUGE           | 1,000    |

534.01

LOMBARDINI  
FOCS LDW  
903 / 1003



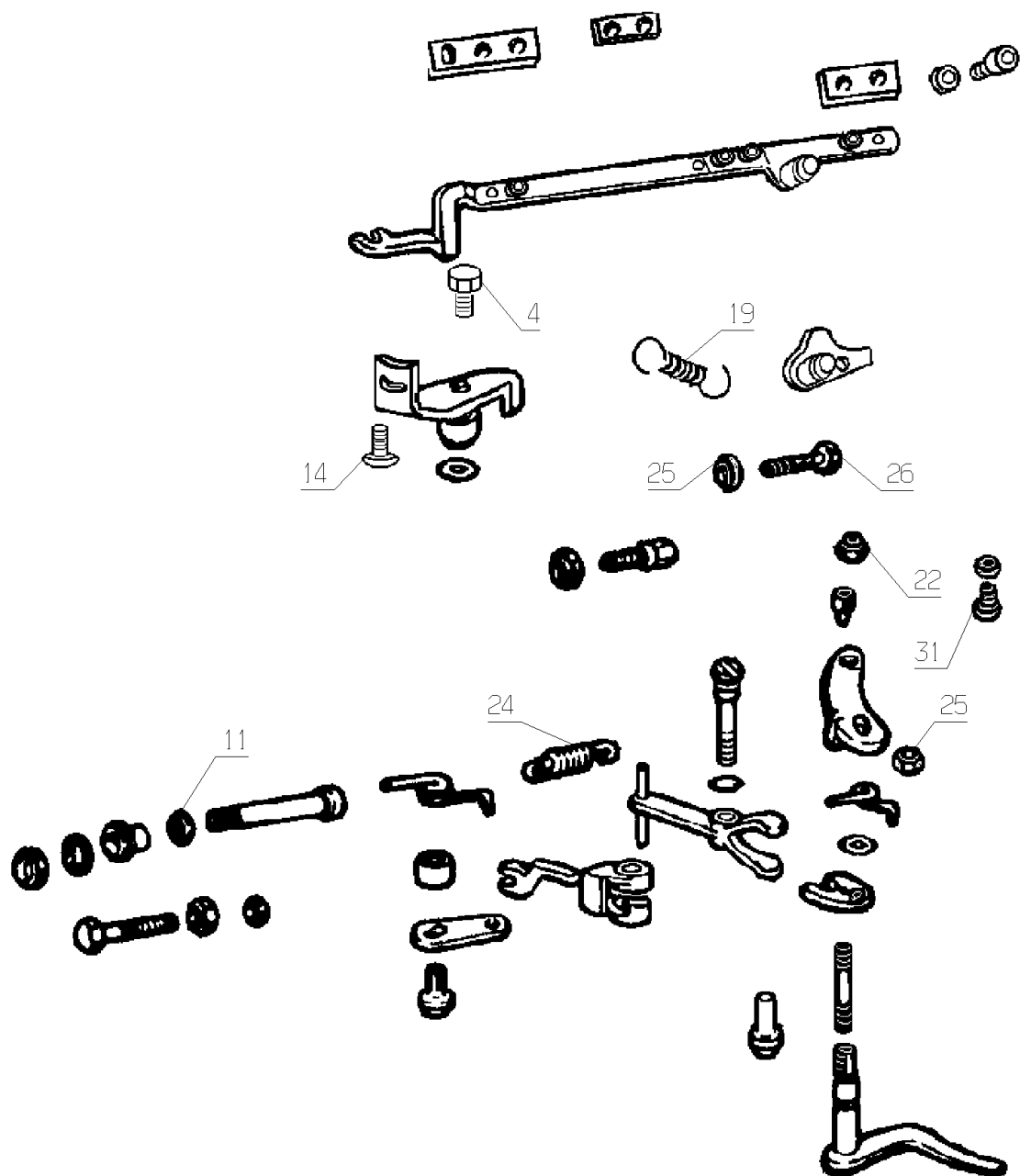
LES PIÈCES NON LISTÉES SONT À COMMANDER CHEZ LOMBARDINI  
TEILE DIE KEINE NUMMER HABEN SIND BEI LOMBARDINI BESTELLBAR  
PARTS WHO ARE NOT LISTED COULD BE ORDERED BY LOMBARDINI

11/2011

| Number | Part Number | Name                | Quantity |
|--------|-------------|---------------------|----------|
| 4      | 29830       | THROTTLE CABLE STOP | 1,000    |
| 11     | 30675       | COPPER SEAL         | 1,000    |
| 14     | 2009        | BOLT M5X16          | 1,000    |
| 19     | 30678       | PUMP CONT.RODSRING  | 1,000    |
| 22     | 71205       | SCREW M8            | 1,000    |
| 24     | 30679       | REGULATOR SPRING    | 1,000    |
| 25     | 1557        | NUT HM6             | 1,000    |
| 26     | 71333       | H.SCREW M6X30 8.8   | 1,000    |

LOMBARDINI  
FOCS LDW  
903 / 1003

536.01



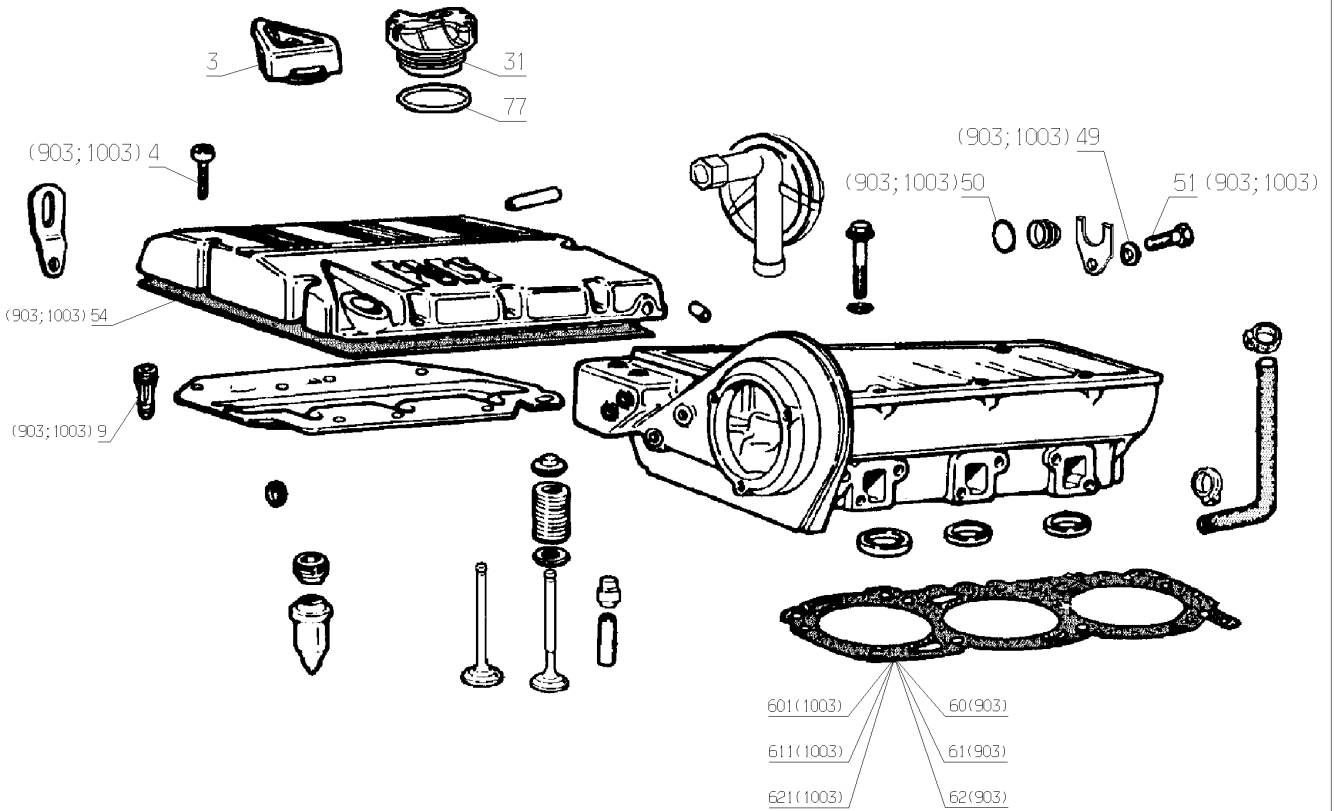
LES PIECES NON LISTEES SONT A COMMANDER CHEZ LOMBARDINI  
TEILE DIE KEINE NUMMER HABEN SIND BEI LOMBARDINI BESTELLBAR  
PARTS WHO ARE NOT LISTED COULD BE ORDERED BY LOMBARDINI

11-2004

| Number | Part Number | Name                | Quantity |
|--------|-------------|---------------------|----------|
| 3      | 30521       | OIL FILLING CAP     | 1,000    |
| 4      | 71044       | CAP SCREW,DIN 912-8 | 1,000    |
| 9      | 30703       | RETURN TUBE         | 1,000    |
| 31     | 34034       | OIL FILLING CAP     | 1,000    |
| 49     | 7335        | WASHER              | 1,000    |
| 50     | 30538       | HEATING GASKET      | 1,000    |
| 51     | 71316       | SCREW HM8X10        | 1,000    |
| 54     | 30541       | GASKET              | 1,000    |
| 60     | 30509       | CYLI.HEAD GASK.1,45 | 1,000    |
| 61     | 30510       | CYLI.HEAD GASK.1,55 | 1,000    |
| 62     | 30511       | CYLI.HEAD GASK.1,65 | 1,000    |
| 77     | 34004       | GASKET              | 1,000    |
| 601    | 34615       | CYL.HEAD GASK. 1.45 | 1,000    |
| 611    | 34618       | CYL.HEAD GASK. 1.55 | 1,000    |
| 621    | 34619       | CYL.HEAD GASK. 1.65 | 1,000    |

538.01

LOMBARDINI  
FCS LDW  
903 / 1003



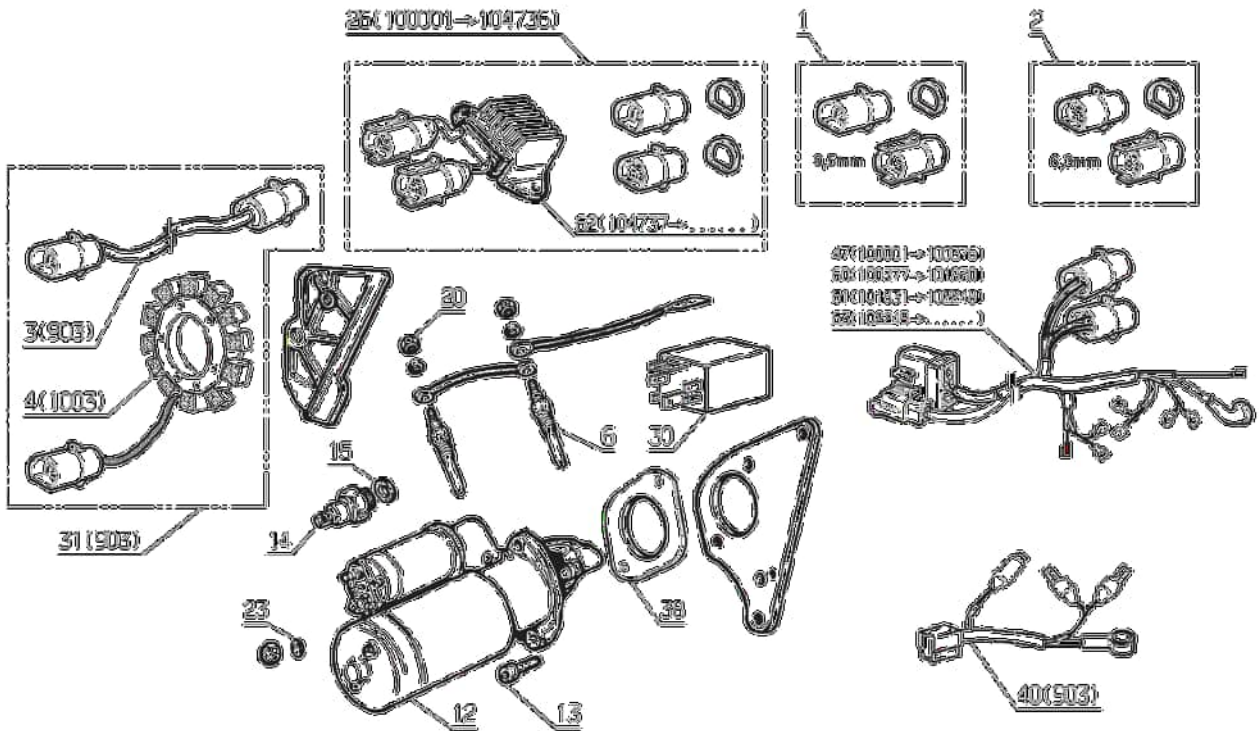
LES PIECES NON LISTEES SONT A COMMANDER CHEZ LOMBARDINI  
TEILE DIE KEINE NUMMER HABEN SIND BEI LOMBARDINI BESTELLBAR  
PARTS WHO ARE NOT LISTED COULD BE ORDERED BY LOMBARDINI

04/2010

| Number | Part Number | Name                | Quantity |
|--------|-------------|---------------------|----------|
| 1      | 30120       | M/W9,5 CONNECT.KIT  | 1,000    |
| 2      | 30121       | M/W6,3 CONNECT.KIT  | 1,000    |
| 3      | 30592       | ALTER.WIRING KIT    | 1,000    |
| 4      | 30546       | ALTERNATOR NAKED    | 1,000    |
| 6      | 30505       | PRE-HEATING PLUG    | 1,000    |
| 12     | 29957       | STARTER 12V 1,6KW   | 1,000    |
| 13     | 71154       | BOLT CHC M10X35     | 1,000    |
| 14     | 29873       | OIL PRESSURE INDIC. | 1,000    |
| 15     | 30588       | COPPER SEAL         | 1,000    |
| 20     | 37561       | NUT                 | 1,000    |
| 23     | 7335        | WASHER              | 1,000    |
| 26     | 29872       | KIT REGULATOR       | 1,000    |
| 30     | 29484       | PREFIRE RELAY       | 1,000    |
| 31     | 30520       | ALTERNATOR KIT      | 1,000    |
| 38     | 29959       | STARTER FLANGE      | 1,000    |
| 40     | 30544       | REGULATOR WIRING    | 1,000    |
| 47     | 29876       | ENGINE WIRING       | 1,000    |
| 60     | 30142       | ENGINE WIRING       | 1,000    |
| 61     | 30429       | ENGINE WIRING       | 1,000    |
| 62     | 52041       | REGULATOR           | 1,000    |
| 63     | 30594       | ENGINE WIRING       | 1,000    |



540.01



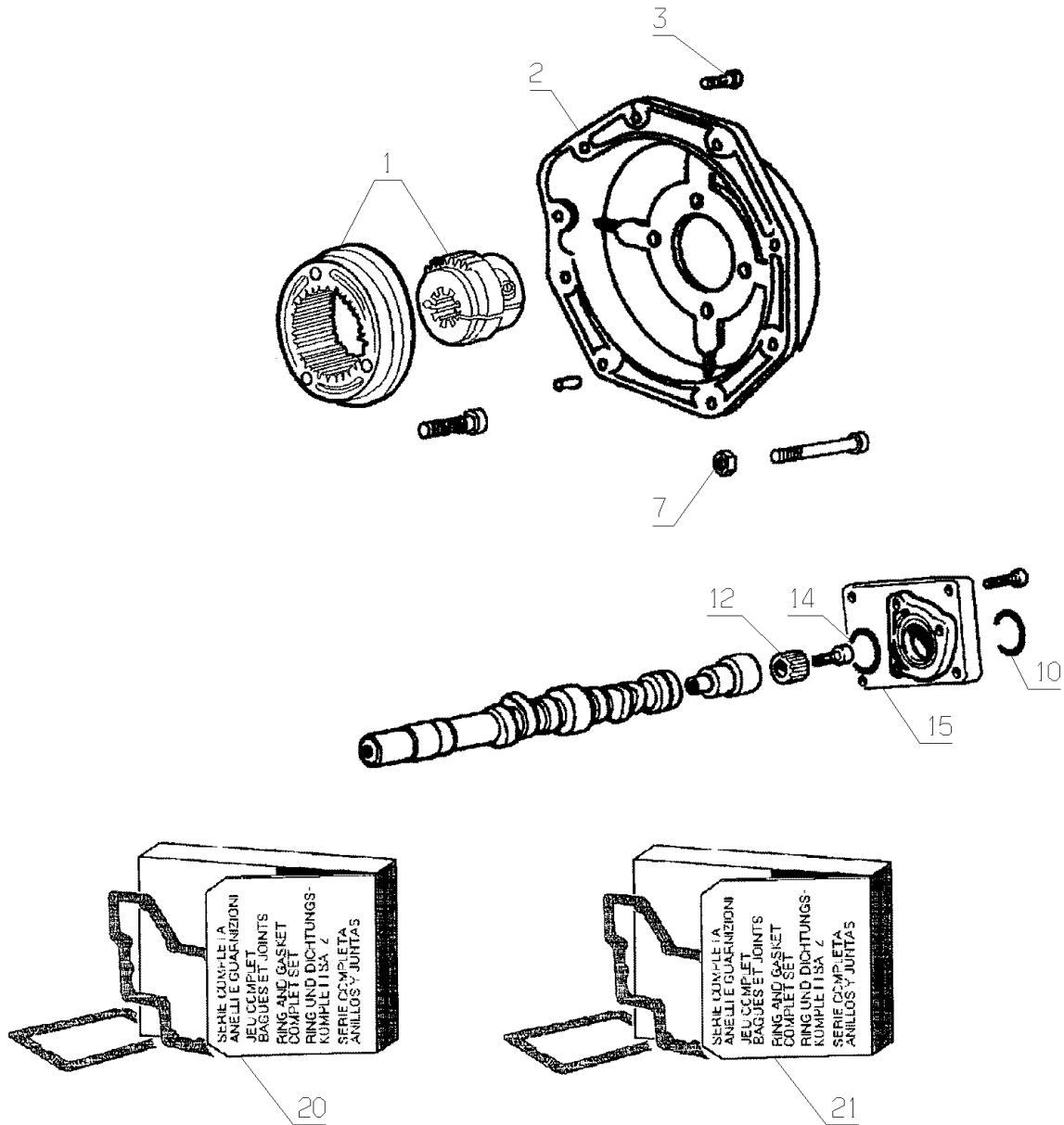
WERKZEUGEN  
EINBAU  
EINBAU

12/2019

| Number | Part Number | Name               | Quantity |
|--------|-------------|--------------------|----------|
| 1      | 29829       | GEAR 13 TEETH      | 1,000    |
| 2      | 30543       | BELL PUMP BRACKET  | 1,000    |
| 3      | 9056        | BOLT 8X25          | 1,000    |
| 7      | 2020        | NUT HM8            | 1,000    |
| 10     | 30530       | O-RING PUMP        | 1,000    |
| 12     | 29828       | GEAR POWER OUTLET  | 1,000    |
| 14     | 30531       | O-RING ACCESS.     | 1,000    |
| 15     | 30532       | GEAR PUMP COUPLING | 1,000    |
| 20     | 30518       | SEAL KIT UP        | 1,000    |
| 21     | 30589       | SEAL KIT DOWN      | 1,000    |

LOMBARDINI  
FOCS LDW  
903 / 1003

542.01



LES PIÈCES NON LISTÉES SONT À COMMANDER CHEZ LOMBARDINI  
TEILE DIE KEINE NUMMER HABEN SIND BEI LOMBARDINI BESTELLBAR  
PARTS WHO ARE NOT LISTED COULD BE ORDERED BY LOMBARDINI

03/2008