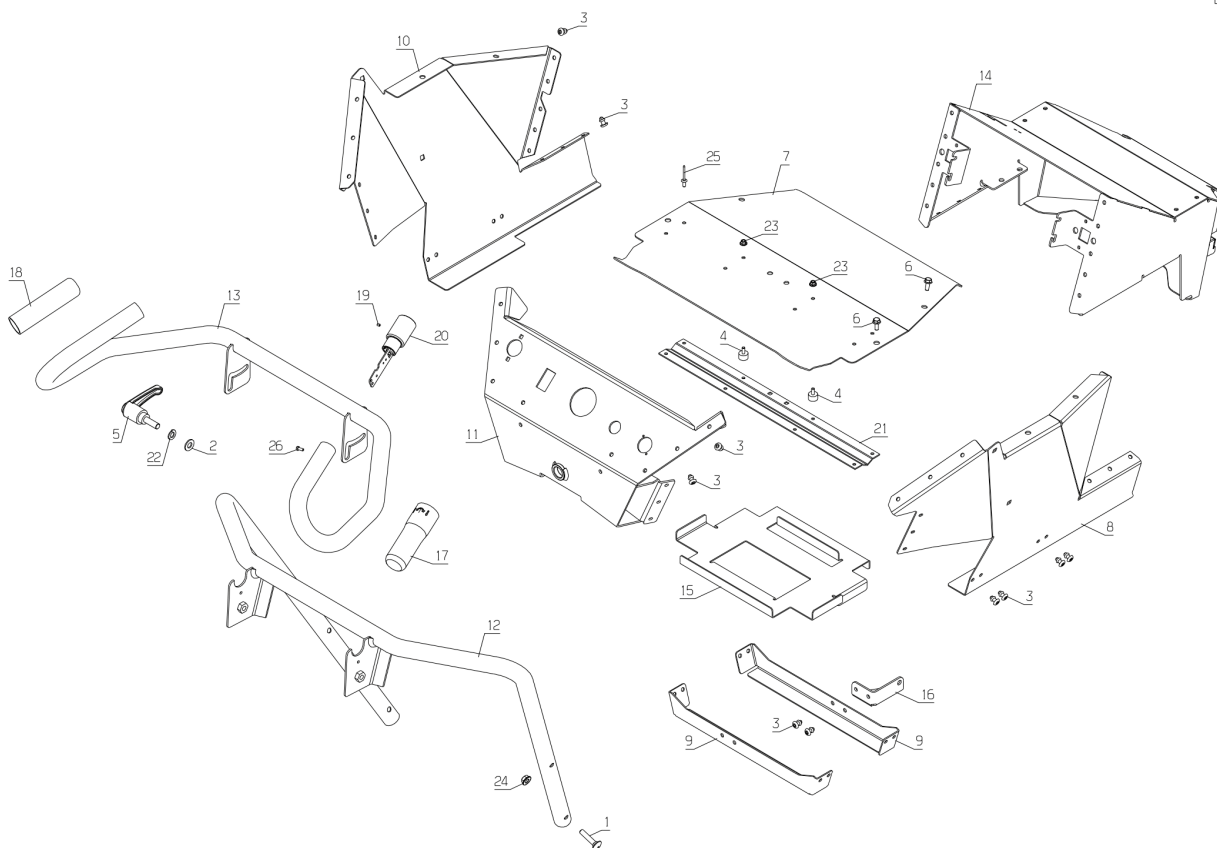


Number	Part Number	Name	Quantity
1	9057	SQUARE BOLT,DIN 603	1,000
2	21036	FLAT WASHER 10.5	1,000
3	28738	BOLT	1,000
4	35328	RUBBER STOP	1,000
5	36206	GRIP	1,000
6	37997	SCREW HM6-16 8.8	1,000
7	39768	SHEET LATCH	1,000
8	50550	RIGHT PLATE	1,000
9	50553	BATTERY BRACKET	1,000
10	50557	LEFT PLATE	1,000
11	50575	REAR PLATE CPLT	1,000
12	50620	HANDLEBAR BRACKET	1,000
13	50670	HANDLE BAR CPLT.	1,000
14	51399	FRONT PLATE CPLT	1,000
15	51675	STEEL PLATE	1,000
16	51949	BRACKET 3E	1,000
17	52241	RIGHT HANDLE	1,000
18	52242	LEFT HANDLE	1,000
19	52244	SCREW HC M4-5,PL	1,000
20	52285	BRACKET	1,000
21	52621	PLATE	1,000
22	71052	SPRING WASHER,DIN 1	1,000
23	71200	SCREW M5	1,000
24	71205	SCREW M8	1,000
25	71241	NAIL RIVET 4,8X10,5	1,000
26	71352	SCREW M4X10	1,000

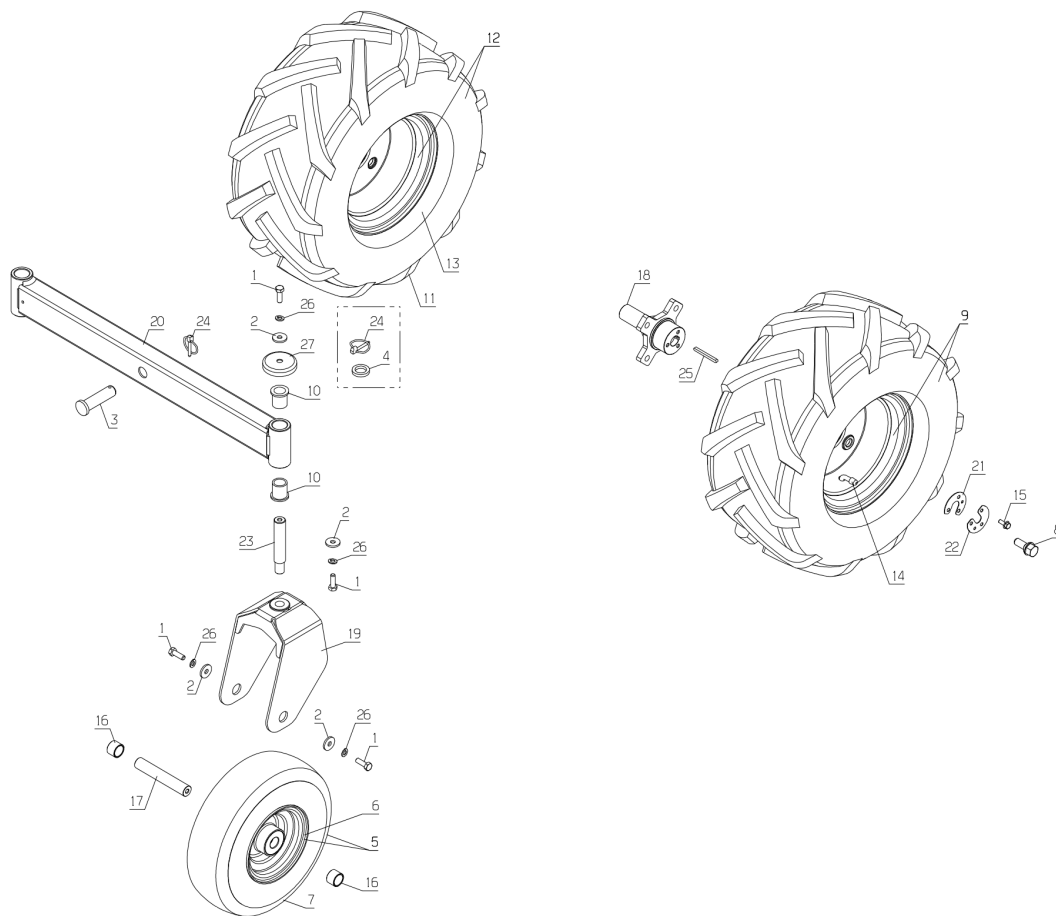
PL02288



03/2018

Number	Part Number	Name	Quantity
1	9056	BOLT 8X25	1,000
2	22065	WASHER 25X8,5X3	1,000
3	25302	ARTICULATED SHAFT	1,000
4	25348	WASHER	1,000
5	28452	FRONT WHEEL GR. 5"	1,000
6	28454	FRONT RIM GR. 5"	1,000
7	28455	FRONT TYRE 5"	1,000
8	32152	WHEEL FITTING SCREW	1,000
9	32501	-> 100384	1,000
10	35412	BEARING 20/26/30	1,000
11	35774	AGRARIAN TYRE 18"	1,000
12	35775	-> 100389	1,000
13	36905	-> 100381	1,000
14	37105	AIR TUBE	1,000
15	37997	SCREW HM6-16 8.8	1,000
16	39789	RING	1,000
17	39790	AXLE	1,000
18	39792	COUPLING	1,000
19	39796	-> 53780 + 53782	1,000
20	51395	AXLE CPLT.	1,000
21	52174	SECURING RING	1,000
22	52175	SECURING RING	1,000
23	52798	-> 53780 + 53782	1,000
24	71005	SAFETY PIN,DIN 1102	1,000
25	71226	-> 71418	1,000
26	71343	SPRING WASHER A8	1,000
27	29159	UPPER CAP	1,000

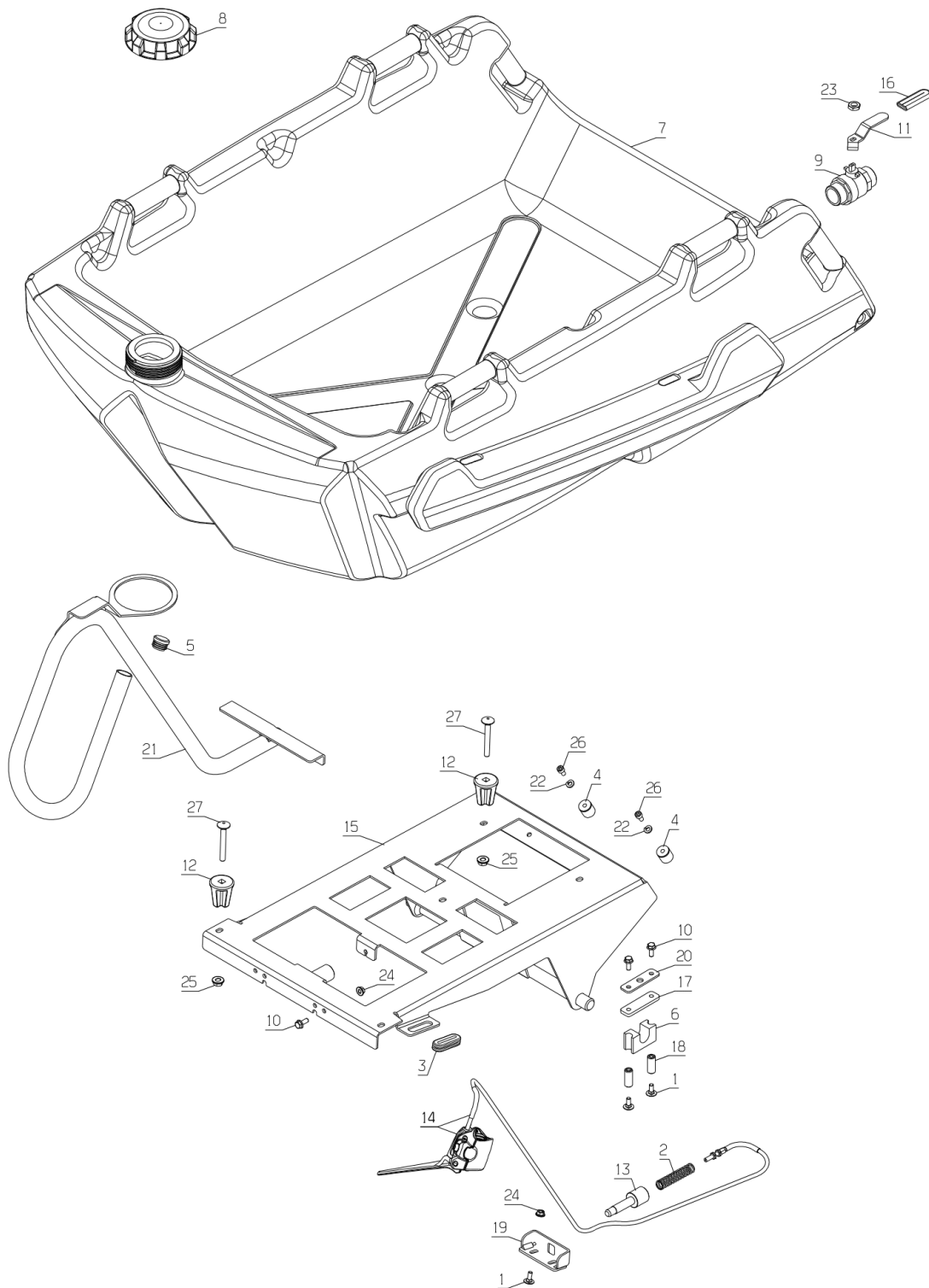
PL02289



03/2018

Number	Part Number	Name	Quantity
1	21608	SCREW 6X16 DIN	1,000
2	24728	SPRING	1,000
3	29619	CABLE SLEEVE	1,000
4	29783	RUBBER STOP	1,000
5	29995	CAP DIA 25	1,000
6	35500	ABSORBER STRAP	1,000
7	35948	TIPPER	1,000
8	37581	TANK PLUG	1,000
9	37624	COCK	1,000
10	37997	SCREW HM6-16 8.8	1,000
11	38036	LEVER	1,000
12	38067	FIXING BLOCK	1,000
13	38238	SPINDLE	1,000
14	38578	CABLE+STEERG LEVER	1,000
15	39786	BRACKET	1,000
16	42628	RUBBER PROTECTION	1,000
17	51245	PLATE PLASTIC	1,000
18	51421	AXLE M6	1,000
19	51706	PLATE	1,000
20	51827	PLATE	1,000
21	52680	LEVER	1,000
22	71049	SPRING WASHER,DIN 1	1,000
23	71091	NUT,NFE 27411 Hm M1	1,000
24	71201	NUT M6	1,000
25	71205	SCREW M8	1,000
26	71355	HEX.SCREW M6X10	1,000
27	71382	SCREW M8X65	1,000

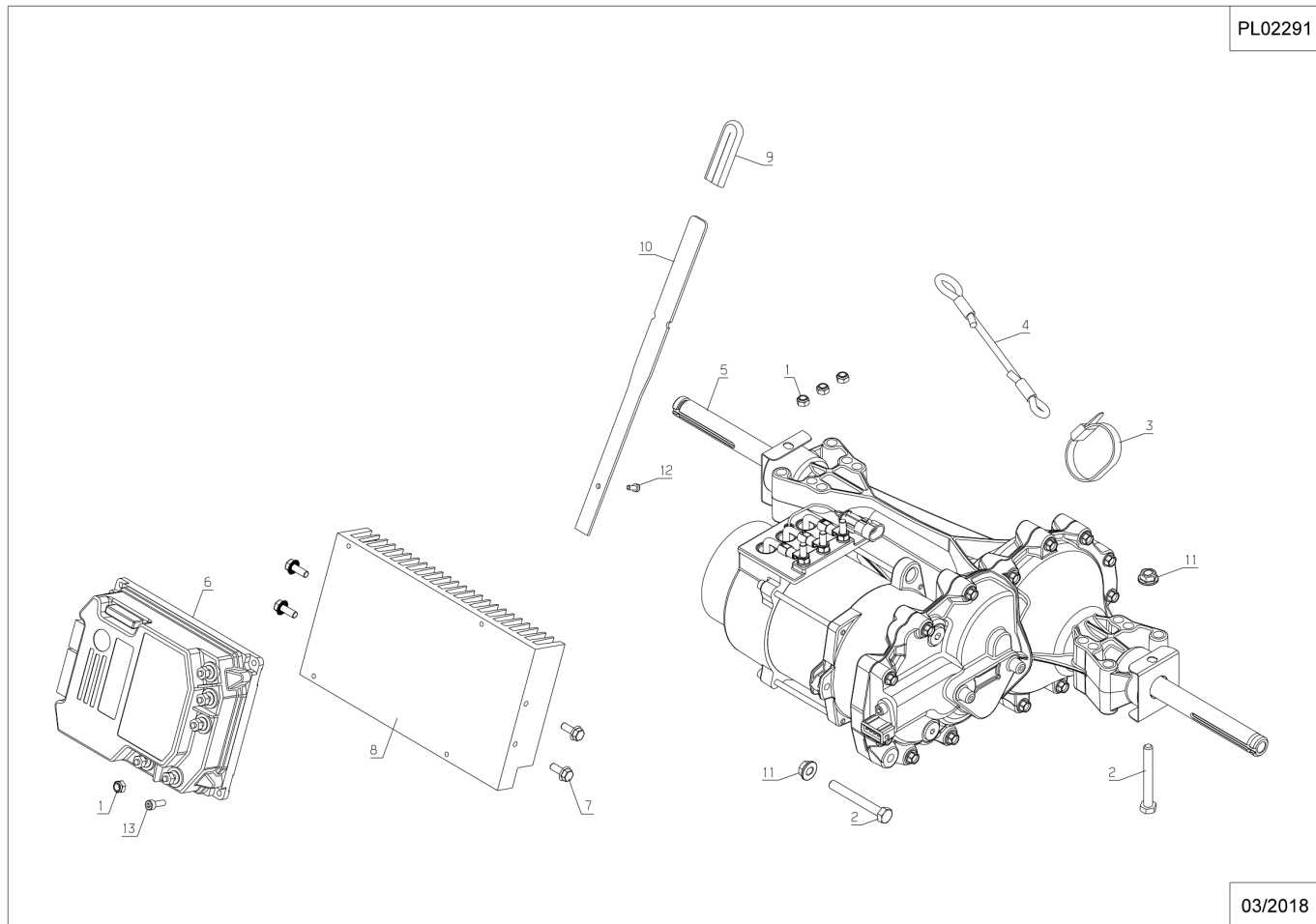
PL02290



03/2018

Number	Part Number	Name	Quantity
1	71201	NUT M6	1,000
2	20633	HEX.SCREW 8X65	1,000
3	21119	COLLAR 260 MM	1,000
4	28239	COVER BAND	1,000
5	35174	ELEC. MOTOR TA HG	1,000
6	35470	VARIATOR TA HG	1,000
7	37997	SCREW HM6-16 8.8	1,000
8	39991	DISSIPATER	1,000
9	42628	RUBBER PROTECTION	1,000
10	51676	BY PASS LEVER	1,000
11	71205	SCREW M8	1,000
12	71352	SCREW M4X10	1,000
13	71370	HEX.SCREW M5X16	1,000

PL02291



03/2018