

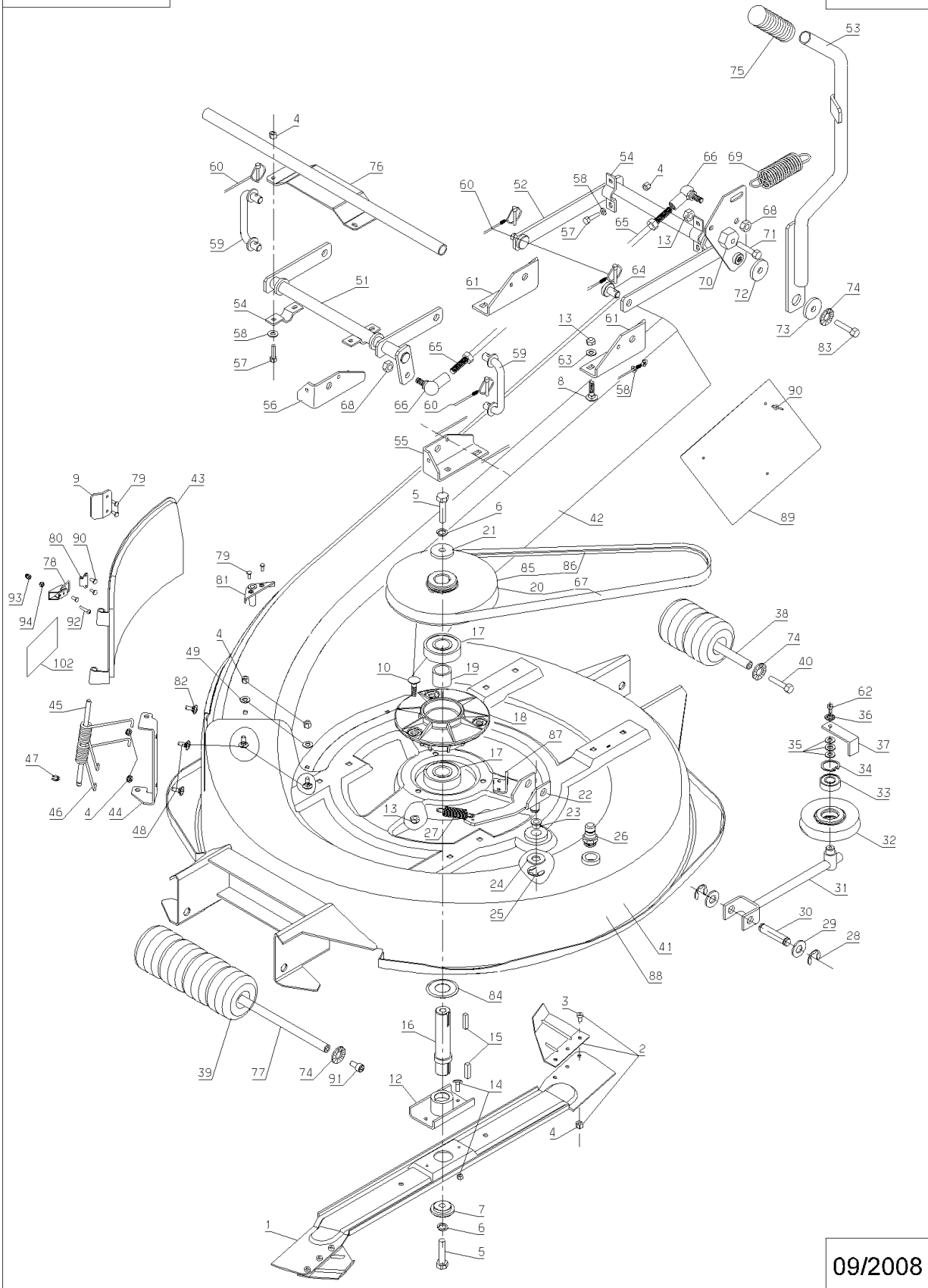
Number	Part Number	Name	Quantity
1	MZ80	BLADE FOR 80 CM	1,000
2	28489	BLADE WING KIT	1,000
3	36489	SCREW XM6-12	1,000
4	71201	NUT M6	1,000
5	71110	HEXAGON SCREW,DIN 9	1,000
6	71052	SPRING WASHER,DIN 1	1,000
7	28238	BLADE WASHER	1,000
8	9071	SCREW M8X20	1,000
9	28288	FLAP HANDLE	1,000
10	5347	SCREW 8X25	1,000
12	28420	BLADE COUPLING	1,000
13	71205	SCREW M8	1,000
14	26157	SET OF 8 SHEARBOLTS	1,000
15	20602	KEY 5X5X25	1,000
16	28062	BLADE SHAFT	1,000
17	21553	BEARING 6305-2RS	1,000
18	28171	BLADE BEARING	1,000
19	28020	BLADE BEARING SPACR	1,000
20	28133	PULLEY D.175/D.190	1,000
21	7341	FLAT WASHER 10,3X49	1,000
22	28411	BELT TIGH.YOKE	1,000
23	28070	SLEEVE 15/17/20	1,000
24	9166	WASHER 15X24X2	1,000
25	71047	CIRCLIP DIN 471 15X	1,000
26	25019	-> 28762 + 39084	1,000
27	28076	TENSION SPRING	1,000
28	71036	DIN 471 14X1 EXT. C	1,000
29	71034	FLAT WASHER NFE 276	1,000
30	25126	BELT TIGHTENER ARM	1,000
31	50870	TENSIONNER ARM	1,000
32	25509	TENSIONING PULLEY	1,000
33	25112	BALL BEARING,6202 S	1,000
34	71039	CIRCLIP,DIN 427 35X	1,000
35	22029	FLAT WASHER 6,5	1,000
36	71049	SPRING WASHER,DIN 1	1,000
37	28284	BELT GUIDE	1,000
38	28316	REAR ROLLER SHAFT96	1,000
39	28123	ROLLER	1,000
40	6169	SCREW HM8X16	1,000
41	28405	CUTTING DECK NAKED	1,000
42	39469	EJECTION CHANNEL	1,000

Number	Part Number	Name	Quantity
43	28230	OBSERVATION FLAP	1,000
44	28233	OBSERVAT.FLAP SUPP.	1,000
45	28231	FLAP SHAFT	1,000
46	28245	FLAP SPRING	1,000
47	5602	ANNEAU TRUARC	1,000
48	21608	SCREW 6X16 DIN	1,000
51	28419	CUTT.HEIGHT FR.ARM	1,000
52	37618	REAR ARM	1,000
53	28429	CUTT. HEIGHT LEVER	1,000
54	25711	STRAP	1,000
55	28038	LH CUTTING H.SUPP.	1,000
56	28127	RH CUT.HEIGHT SUPP.	1,000
57	71239	HEX.SCREW HM6X45	1,000
58	2235	WASHER A6.4	1,000
59	28113	INTERMEDIATE ROD	1,000
60	28075	SAFETY PIN & CHAIN	1,000
61	28045	REAR CUTTING H.SUPP	1,000
62	20507	BOLT HM 6X20	1,000
63	7035	FLAT WASHER	1,000
64	28208	SHAFT	1,000
65	28119	ROD	1,000
66	28047	STEER. KNUCKLE M10	1,000
67	28729	BELT 1207 MM	1,000
68	9017	NUT HM10	1,000
69	25425	COMPENSATION SPRING	1,000
70	28040	CUTTING HEIGHT STOP	1,000
71	9061	BOLT 8X30	1,000
72	7330	WASHER	1,000
73	20021	WASHER 8,5X40X4	1,000
74	71343	SPRING WASHER A8	1,000
75	28118	CUT.HEIGHT LEVER HA	1,000
76	28427	FRONT DECK SUPPORT	1,000
77	28315	FR.ROLLER SHAFT 96	1,000
78	37074	CLAMP	1,000
79	71114	ALUMINUM NAIL RIVET	1,000
80	37085	CLAMP HOOK	1,000
81	28386	DEFLECTOR GUIDE	1,000
82	5496	SCREW 6X20	1,000
83	71413	SCREW HM 8-20	1,000
84	28530	PROTECTION WASHER	1,000
85	28391	PULLEY D.190/D.206	1,000

Number	Part Number	Name	Quantity
86	28446	BELT 1232 MM	1,000
87	28448	STOP	1,000
88	28872	CUT.DECK 80 CPLT	1,000
89	28504	PROTECTION GUARD	1,000
90	71113	NAIL RIVET, DIA. 4X	1,000
91	71372	IN.HEX.SCREW M8X16	1,000
92	37072	SCREW HC M4-20 10.9	1,000
93	37073	NUT	1,000
94	21525	NUT HM4	1,000
102	13089	ETIQ. TRAPPE FR.	1,000

MBHE - MHHE - MKHE

105.01

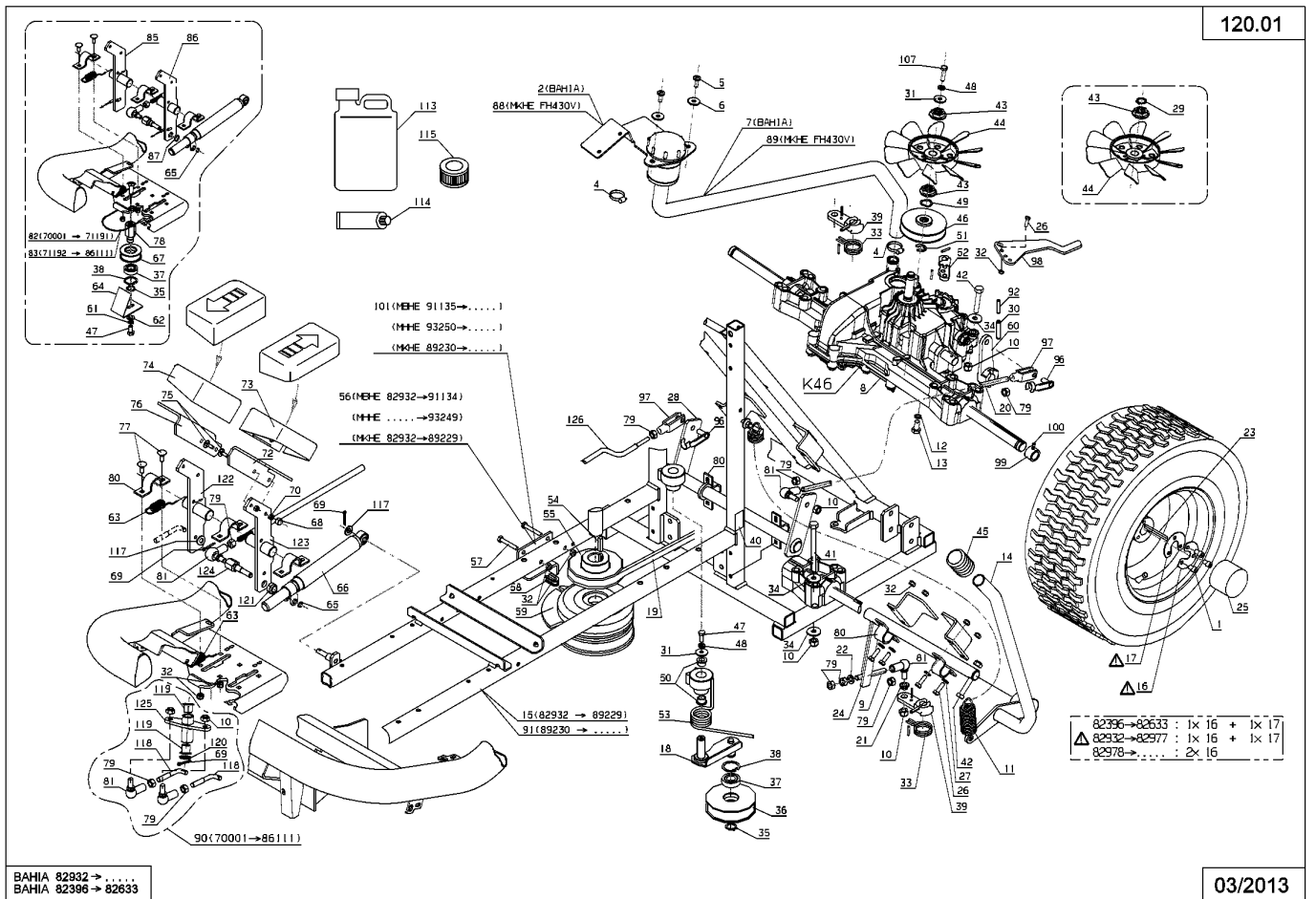


09/2008

Number	Part Number	Name	Quantity
1	71072	BOLT CHC M6X10	1,000
2	28535	BRACKET	1,000
4	28534	COLLAR 16-27	1,000
5	37997	SCREW HM6-16 8.8	1,000
6	5604	WASHER	1,000
7	28532	PRE FORMED HOSE	1,000
8	28529	HYDRO BOX K46	1,000
9	28508	PARKING BRAKE ROD	1,000
10	71205	SCREW M8	1,000
11	28076	TENSION SPRING	1,000
12	28256	GASKET	1,000
13	28249	EMPTYING SCREW	1,000
14	28512	PARKING BRAKE LEVER	1,000
15	28500	FRAME TUBE 25	1,000
16	52175	SECURING RING	1,000
17	52174	SECURING RING	1,000
18	51189	BELT TIGHTENER	1,000
19	28525	BELT 955 MM	1,000
20	28516	VORWARD DRIVE ROD	1,000
21	28507	SPACER	1,000
22	7335	WASHER	1,000
23	71418	KEY 4,76X4,76X75	1,000
24	28509	PARKING BRAKE TUBE	1,000
25	25176	WHEEL CAP	1,000
26	20507	BOLT HM 6X20	1,000
27	2235	WASHER A6.4	1,000
28	28558	FORW.DRIVE SHAFT.H.	1,000
29	71439	CIRCLIP	1,000
30	28629	PIN	1,000
31	22029	FLAT WASHER 6,5	1,000
32	71201	NUT M6	1,000
33	28538	SPRING	1,000
34	7035	FLAT WASHER	1,000
35	71047	CIRCLIP DIN 471 15X	1,000
36	35141	TENSIONNER PULLEY	1,000
37	9022	BALL BEARING 6002	1,000
38	21256	CIRCLIP	1,000
39	28539	BRAKE LEVER K46	1,000
40	13016	OIL TANK STICKER	1,000
41	71199	SCREW HM8X90	1,000
42	5340	HEXAGON SCREW,DIN 9	1,000

Number	Part Number	Name	Quantity
43	28540	SPACER	1,000
44	28541	COOLING FAN	1,000
45	28100	BRAKE LEVER HANDLE	1,000
46	28488	IMPUT SHAFT K46 KIT	1,000
48	71049	SPRING WASHER,DIN 1	1,000
49	28543	WASHER	1,000
50	37059	BUSH JFM 141822-20	1,000
51	28544	CIRCLIP	1,000
52	28545	BY-PASS LEVER	1,000
53	25511	UPPER BELT TIGHTENE	1,000
54	71007	B-SHAPE KEY 6.35X6.	1,000
55	28011	PULLEY	1,000
56	28072	CLUTCH STOP	1,000
57	22456	SCREW HM 6X40	1,000
58	28078	CLUTCH STOP GUIDE	1,000
59	28135	ELECTROMAGN. CLUTCH	1,000
60	28546	FORWARD DRIVE LEVER	1,000
62	21270	WASHER 6,4	1,000
63	24717	BRAKE SPRING	1,000
64	28274	TENS. PULLEY PLATE	1,000
65	5602	ANNEAU TRUARC	1,000
66	28143	SHOCK ABSORBER	1,000
67	23632	PULLEY	1,000
68	25900	PROTECTIVE COWL	1,000
69	71018	V3,2 SPLIT PIN	1,000
70	37561	NUT	1,000
72	28139	REVERSE PEDAL	1,000
73	28188	COVERING REV. PEDAL	1,000
74	28167	COVERING FORW.PEDAL	1,000
75	71231	SCREW JM5-16	1,000
76	28131	FORWARD PEDAL	1,000
77	21608	SCREW 6X16 DIN	1,000
78	28286	TENS.PULLEY SHAFT	1,000
79	2020	NUT HM8	1,000
80	25711	STRAP	1,000
81	28234	KNUCKLE M8	1,000
82	28227	PEDAL CABLE	1,000
83	28312	PEDAL CABLE	1,000
85	28431	FORW.PEDAL ROD 96	1,000
86	28432	REVER.PEDAL ROD 96	1,000
87	24684	TRUARC RING	1,000

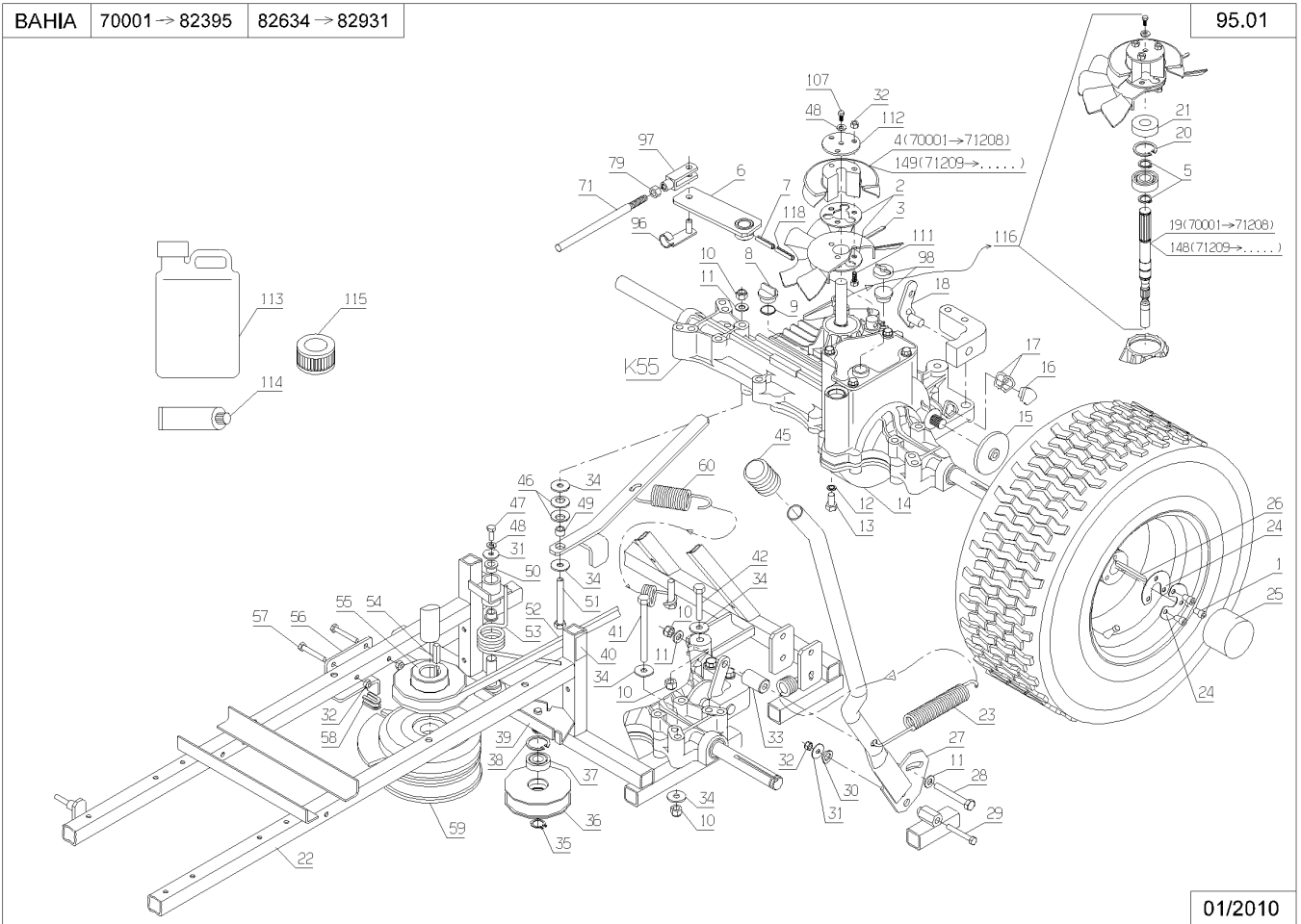
Number	Part Number	Name	Quantity
88	28584	BRACKET	1,000
89	28576	PREFORMED HOSE	1,000
90	28492	FOOTPEDAL CABLE KIT	1,000
91	37715	FRAME	1,000
92	71014	SPIRAL PIN,DIN 1481	1,000
96	71169	STUD 8X32	1,000
97	71077	YOKE DIN 71751 8X32	1,000
98	28603	BY-PASS LEVER	1,000
99	25728	BRAKE THRUST WASHER	1,000
100	71355	HEX.SCREW M6X10	1,000
101	28583	CLUTCH STOP	1,000
107	20693	HEX.SCREW HM6X25	1,000
113	26785	2L HYDRO. OIL CAN	1,000
114	28462	SILICOMAT JS 545	1,000
115	28336	OIL FILTER K55 K46	1,000
118	28556	PEDAL ROD	1,000
119	28555	SLEEVE 12/14/15	1,000
120	71336	WASHER 13X20X2	1,000
121	9017	NUT HM10	1,000
122	28566	FOR.PEDAL ROD ASSY	1,000
123	28564	REV.PEDAL ROD ASSY	1,000
124	28560	ROD PIN	1,000
125	28563	PLATE	1,000
126	28605	ROD	1,000





Number	Part Number	Name	Quantity
1	71072	BOLT CHC M6X10	1,000
2	28385	FAN WASHER	1,000
3	28142	COOLING FAN	1,000
4	28248	IMPUT SHAFT K55 KIT	1,000
5	71202	CIRCL.K55 13,8X1,27	1,000
6	28423	ROD CONTROL	1,000
7	71013	SPIRAL PIN,DIN 1481	1,000
8	28183	OIL TANK	1,000
9	28196	OIL CAP GASKET	1,000
10	71205	SCREW M8	1,000
11	7335	WASHER	1,000
12	28256	GASKET	1,000
13	28249	EMPTYING SCREW	1,000
14	28003	HYDRO BOX KANSAKI	1,000
15	28213	BRAKE DISK	1,000
16	28221	BRAKE SHOE	1,000
17	28257	BRAKE SHIM	1,000
18	28222	PARK BRAKE LEVER	1,000
20	71039	CIRCLIP,DIN 427 35X	1,000
21	28235	GASKET PUMP SHAFT	1,000
22	28406	FRAME TUBE 25	1,000
23	28184	PARK BRAKE SPRING	1,000
24	52174	SECURING RING	1,000
25	25176	WHEEL CAP	1,000
26	71226	-> 71418	1,000
27	28416	PARK BRAKE LEVER	1,000
28	20513	SCREW,DIN 933 H M 8	1,000
29	71239	HEX.SCREW HM6X45	1,000
30	20561	CURLED WASHER A10	1,000
31	22029	FLAT WASHER 6,5	1,000
32	71201	NUT M6	1,000
33	28166	SPACER	1,000
34	7035	FLAT WASHER	1,000
35	71047	CIRCLIP DIN 471 15X	1,000
36	35141	TENSIONNER PULLEY	1,000
37	9022	BALL BEARING 6002	1,000
38	21256	CIRCLIP	1,000
39	28407	BELT TIGHTENER	1,000
40	13016	OIL TANK STICKER	1,000
41	71199	SCREW HM8X90	1,000
42	5340	HEXAGON SCREW,DIN 9	1,000

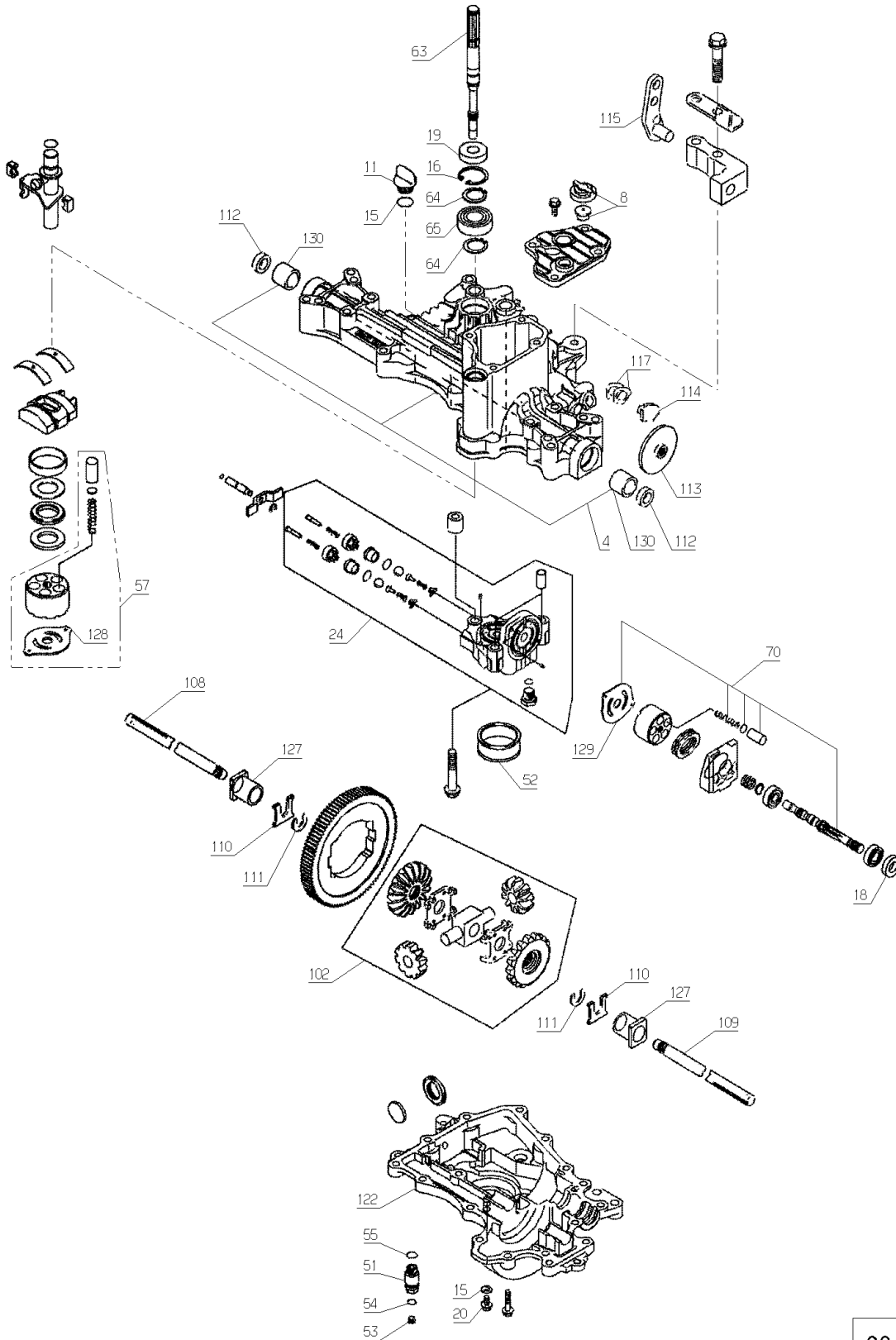
Number	Part Number	Name	Quantity
44	28421	BY-PASS LEVER	1,000
45	28100	BRAKE LEVER HANDLE	1,000
46	28198	SPRING WASH.BY-PASS	1,000
47	37997	SCREW HM6-16 8.8	1,000
48	71049	SPRING WASHER,DIN 1	1,000
49	28193	BY-PASS SPACER	1,000
50	5455	SELF-LUBRIC.RING C1	1,000
51	71068	HEXAGON SCREW,DIN 9	1,000
52	28012	BELT 1007 MM	1,000
53	25511	UPPER BELT TIGHTENE	1,000
54	71007	B-SHAPE KEY 6.35X6.	1,000
55	28011	PULLEY	1,000
56	28072	CLUTCH STOP	1,000
57	22456	SCREW HM 6X40	1,000
58	28078	CLUTCH STOP GUIDE	1,000
59	28135	ELECTROMAGN. CLUTCH	1,000
60	28185	BY-PASS SPRING	1,000
71	28048	ROD	1,000
79	2020	NUT HM8	1,000
96	71169	STUD 8X32	1,000
97	71077	YOKE DIN 71751 8X32	1,000
98	28258	SHIFTING VALVE	1,000
107	20693	HEX.SCREW HM6X25	1,000
111	71288	SCREW HM6X60 8.8	1,000
112	28378	GEAR BOX PULL.COUPL	1,000
113	26785	2L HYDRO. OIL CAN	1,000
114	28462	SILICOMAT JS 545	1,000
115	28336	OIL FILTER K55 K46	1,000
118	71014	SPIRAL PIN,DIN 1481	1,000
148	28379	INPUT SHAFT 97	1,000
149	28380	GEAR BOX PULLEY 97	1,000



Number	Part Number	Name	Quantity
4	28376	KIT UPP.CASING K55	1,000
8	28258	SNIFTING VALVE	1,000
11	28183	OIL TANK	1,000
15	28256	GASKET	1,000
16	71039	CIRCLIP,DIN 427 35X	1,000
18	28458	GASKET K55 BRAKE	1,000
19	28235	GASKET PUMP SHAFT	1,000
20	28249	EMPTYING SCREW	1,000
24	28618	PUMP CRANKCASE	1,000
51	28621	CONNECTOR	1,000
52	28336	OIL FILTER K55 K46	1,000
53	28622	PLUG	1,000
54	28624	O-RING	1,000
55	28623	O-RING	1,000
57	28616	PUMP KIT	1,000
63	28379	IMPUT SHAFT 97	1,000
64	71202	CIRCL.K55 13,8X1,27	1,000
65	40465	BEARING 6202	1,000
70	28617	PUMP ENGINE KIT	1,000
102	28457	GEAR KIT K55	1,000
108	28570	R.OUTPUT AXLE K55	1,000
109	28571	LEFT OUTPUT AXLEK55	1,000
110	34565	FIXING WASHER	1,000
111	34566	RING K55	1,000
112	28569	GASKET P.OUTPUT	1,000
113	28213	BRAKE DISK	1,000
114	28221	BRAKE SHOE	1,000
115	28222	PARK BRAKE LEVER	1,000
117	28257	BRAKE SHIM	1,000
122	28375	LOWER CRANKCASE K55	1,000
127	28374	BUSHING K55	1,000
128	28615	PUMP PLATE	1,000
129	28614	ENGINE PLATE	1,000
130	28377	BUSHING K46/K55	1,000

BAHIA K55

89.01

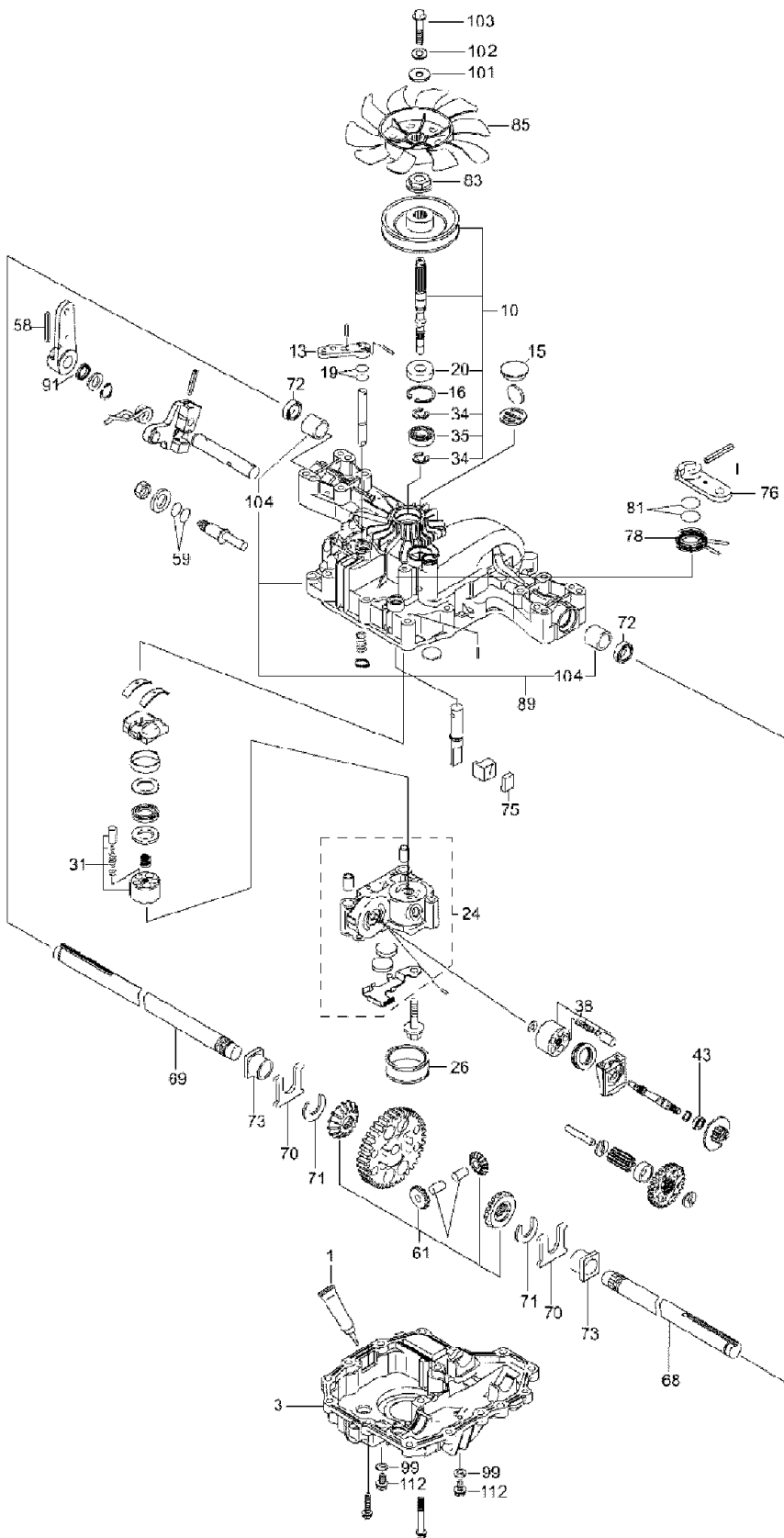


03/2009

Number	Part Number	Name	Quantity
1	28462	SILICOMAT JS 545	1,000
3	28372	LOWER CRANKCASE	1,000
10	28488	IMPUL SHAFT K46 KIT	1,000
13	28545	BY-PASS LEVER	1,000
15	30581	CAP	1,000
16	71039	CIRCLIP,DIN 427 35X	1,000
19	28625	GASKET	1,000
20	28235	GASKET PUMP SHAFT	1,000
24	28626	CENTRAL PUMP CASE	1,000
26	28336	OIL FILTER K55 K46	1,000
31	28627	PUMP KIT	1,000
34	28544	CIRCLIP	1,000
35	40465	BEARING 6202	1,000
38	28628	PUMP ENGINE KIT	1,000
43	25112	BALL BEARING,6202 S	1,000
58	28629	PIN	1,000
59	28623	O-RING	1,000
61	28630	GEAR KIT 46	1,000
68	28631	RIGHT OUTPUT SHAFT	1,000
69	28632	L.OUTPUT AXLE K46	1,000
70	34565	FIXING WASHER	1,000
71	34567	RING K46	1,000
72	28569	GASKET P.OUTPUT	1,000
73	28371	BUSHING K46	1,000
75	28633	BRAKE SHOE	1,000
76	28539	BRAKE LEVER K46	1,000
78	28538	SPRING	1,000
81	28634	O-RING	1,000
83	28540	SPACER	1,000
85	28541	COOLING FAN	1,000
89	28373	KIT UPP.CASING K46	1,000
91	28635	GASKET	1,000
99	28256	GASKET	1,000
101	38886	WASHER K46	1,000
102	38885	WASHER K46	1,000
103	38884	SCREW K46	1,000
104	28377	BUSHING K46/K55	1,000
112	28249	EMPTYING SCREW	1,000

K46

89.02

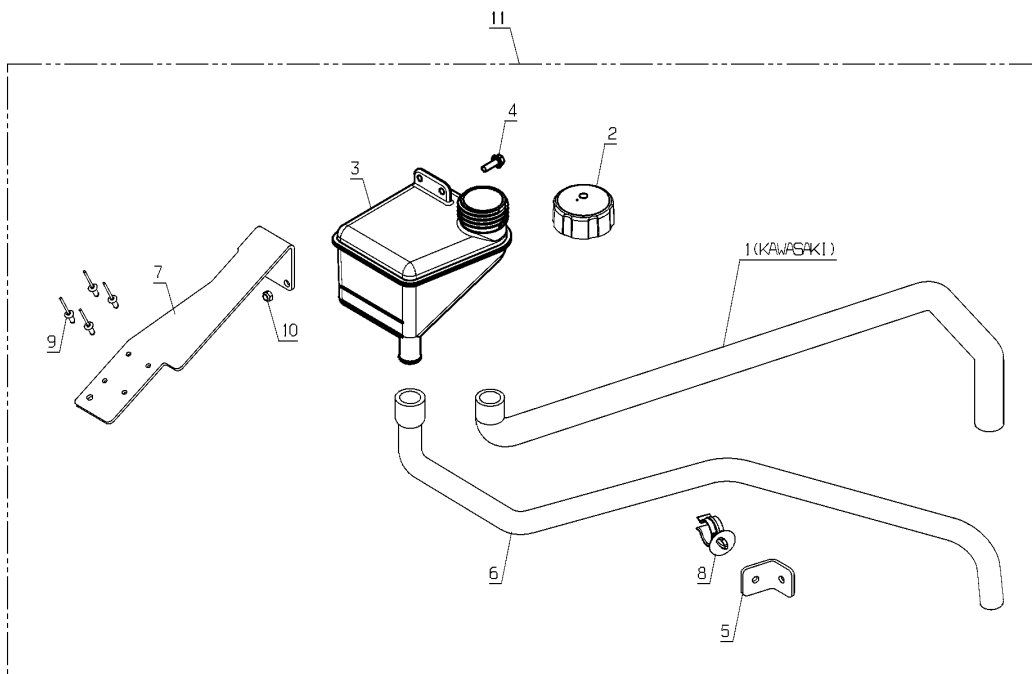


03/2010

Number	Part Number	Name	Quantity
1	28532	PRE FORMED HOSE	1,000
2	36382	PLUG 175	1,000
3	36569	COMPENSATION TANK	1,000
4	37996	SCREW HM5-16 8.8	1,000
5	38062	BRACKET	1,000
6	38355	HOSE	1,000
7	38390	TANK BRACKET	1,000
8	38413	CLIP	1,000
9	71114	ALUMINUM NAIL RIVET	1,000
10	37561	NUT	1,000
11	38388	COMPENSAT.TANK KIT	1,000



PL01843

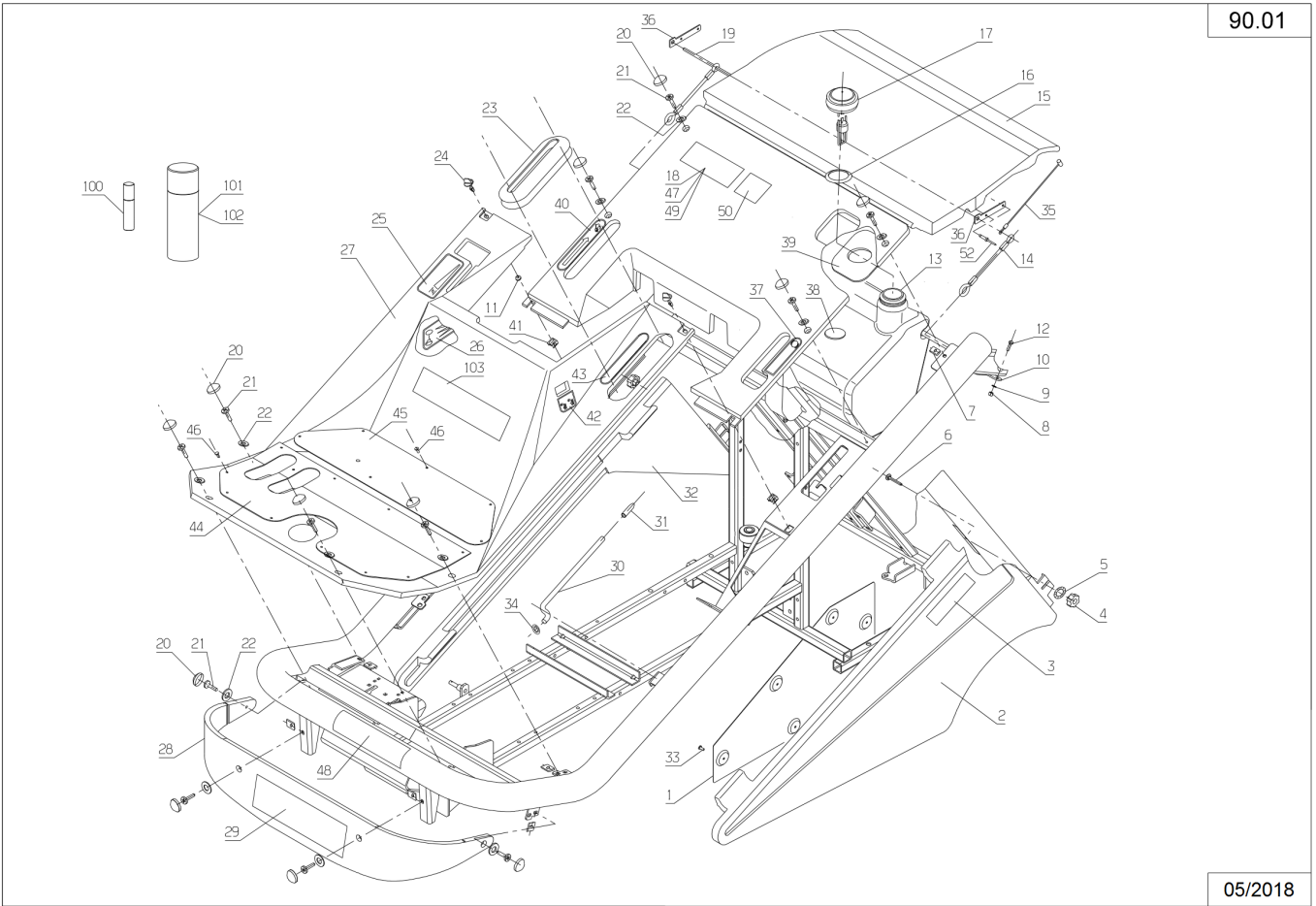


03/2013

Number	Part Number	Name	Quantity
1	28319	PROTECTIVE SHEET	1,000
2	28305	LH SIDE HOODING WHI	1,000
3	13086	STICKER ETESIA	1,000
4	28160	BUTTON	1,000
5	71049	SPRING WASHER,DIN 1	1,000
6	21608	SCREW 6X16 DIN	1,000
7	21436	CLIPS NUT	1,000
8	37561	NUT	1,000
9	20564	WASHER 5,5	1,000
10	28052	CROSSPIECE	1,000
11	28317	RUBBER FUNEL DIA.5	1,000
12	2009	BOLT M5X16	1,000
13	28050	PETROL TANK	1,000
14	28239	COVER BAND	1,000
15	28307	BACK HOOD WHITE	1,000
16	28250	GASKET	1,000
17	28055	PETROL GAUGE	1,000
18	13084	STICKER MBHE	1,000
19	28240	ROD	1,000
20	28102	PROTECTIVE COWL	1,000
21	71111	TAPPING SCREW,DIN 7	1,000
22	28094	WASHER	1,000
23	28242	COVER CUTTING HEIGH	1,000
24	28228	1/4 ROTATION SCREW	1,000
25	13075	STICKER GAS	1,000
26	13072	KEY STICKER	1,000
27	28306	FRONT DECK	1,000
28	28150	STEERING COVER	1,000
29	13085	STICKER ETESIA	1,000
30	28164	BATTERY CLAMP ROD	1,000
31	28148	JOINING PIECE	1,000
32	28304	RH SIDE HOODING WHI	1,000
33	71114	ALUMINUM NAIL RIVET	1,000
34	6185	SELF LOCK RING	1,000
35	28643	GRASSBOX COVER CABL	1,000
36	28644	GUIDE	1,000
37	13074	STCKER PARKG BRAKE	1,000
38	25879	SELF-ADHESIVE WASHE	1,000
39	28311	SEALING.FOAM TANK	1,000
40	13073	STICKER EMPTYING	1,000
41	28229	1/4 ROTATION SCREW	1,000

Number	Part Number	Name	Quantity
42	13071	STICKER BLADE START	1,000
43	13070	STICKER CUT.HEIGHT	1,000
44	28280	DECK PROTECT.FRONT	1,000
45	28281	DECK PROTECT.REAR	1,000
46	71245	RIVET 9X1,5X5,5	1,000
47	13102	LABEL MKHE	1,000
48	13021	STICKER	1,000
49	13208	STICKER MHHE	1,000
50	13142	POWERED B/S STICKER	1,000
52	71327	NAIL RIVET 4X21	1,000
100	25480	GREEN COLOUR STICK	1,000
101	25965	COLOR SPRAY GREEN	1,000
102	25966	COLOR SPRAY WHITE	1,000
103	13079	BAHIA STICKER	1,000

90.01

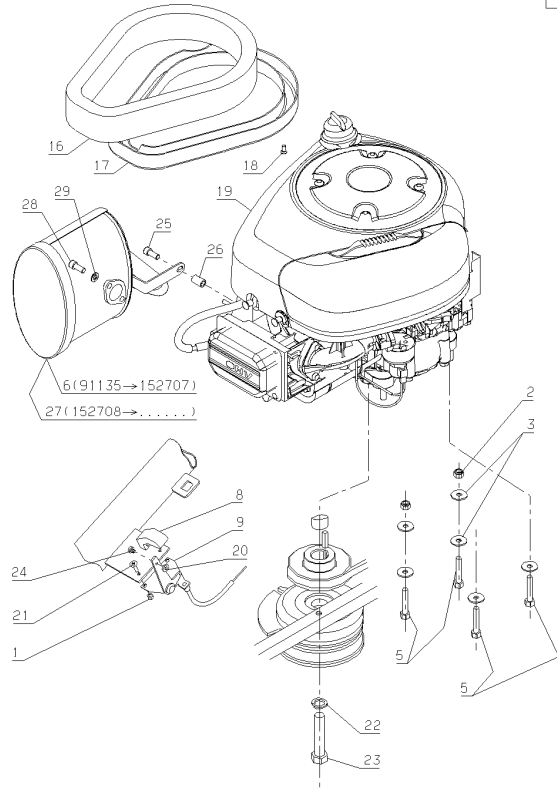
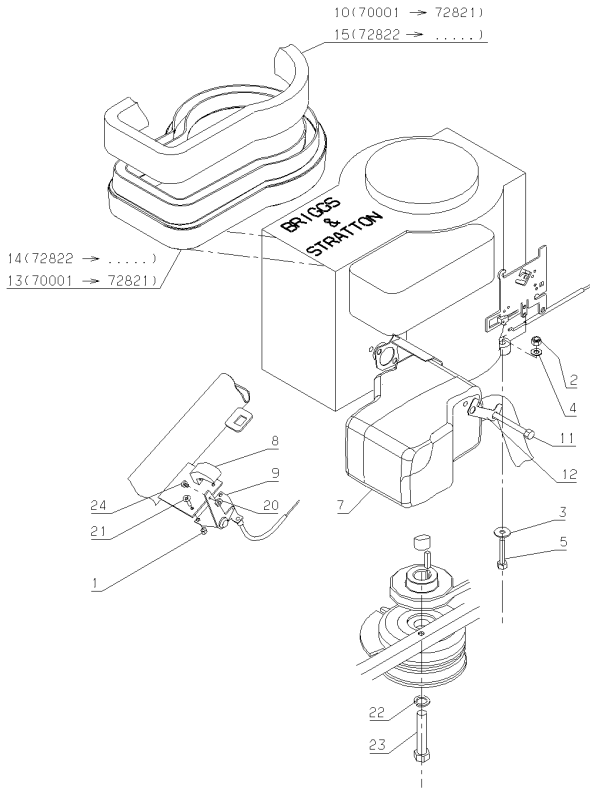


05/2018

Number	Part Number	Name	Quantity
1	37561	NUT	1,000
2	71205	SCREW M8	1,000
3	7035	FLAT WASHER	1,000
4	7335	WASHER	1,000
5	20513	SCREW,DIN 933 H M 8	1,000
6	28611	MUFFLER (B/S)	1,000
7	28086	MUFFLER B/S ENGINE	1,000
8	28177	GAS GRIP	1,000
9	37820	THROTTLE CABLE	1,000
10	28223	FOAM	1,000
11	28322	SCREW 5/16" X 154	1,000
12	28330	SCREW SECURITY B/S	1,000
13	28387	INDUCTION COVER	1,000
14	28399	BELLOW CAP	1,000
15	28400	BELLOW FOAM MOTOR	1,000
16	28637	BELLOW FOAM MOTOR	1,000
17	28612	FOAM BRACKET B/S	1,000
18	71406	SCREW	1,000
19	28610	ENGINE B/S	1,000
20	71225	GAS GRIP NUT 8-32"	1,000
21	71128	SCREW TFCR M5X16	1,000
22	71159	WASHER 7/16"	1,000
23	71208	SCREW H7/16"20	1,000
24	71224	GAS GRIP SCREW 8-32	1,000
25	37523	SCREW CHC 5/16"	1,000
26	42019	BUSH 12X8,2X19	1,000
27	55672	MUFFLER	1,000
28	71410	SCREW 5/16"	1,000
29	71343	SPRING WASHER A8	1,000

MBHE

97.02

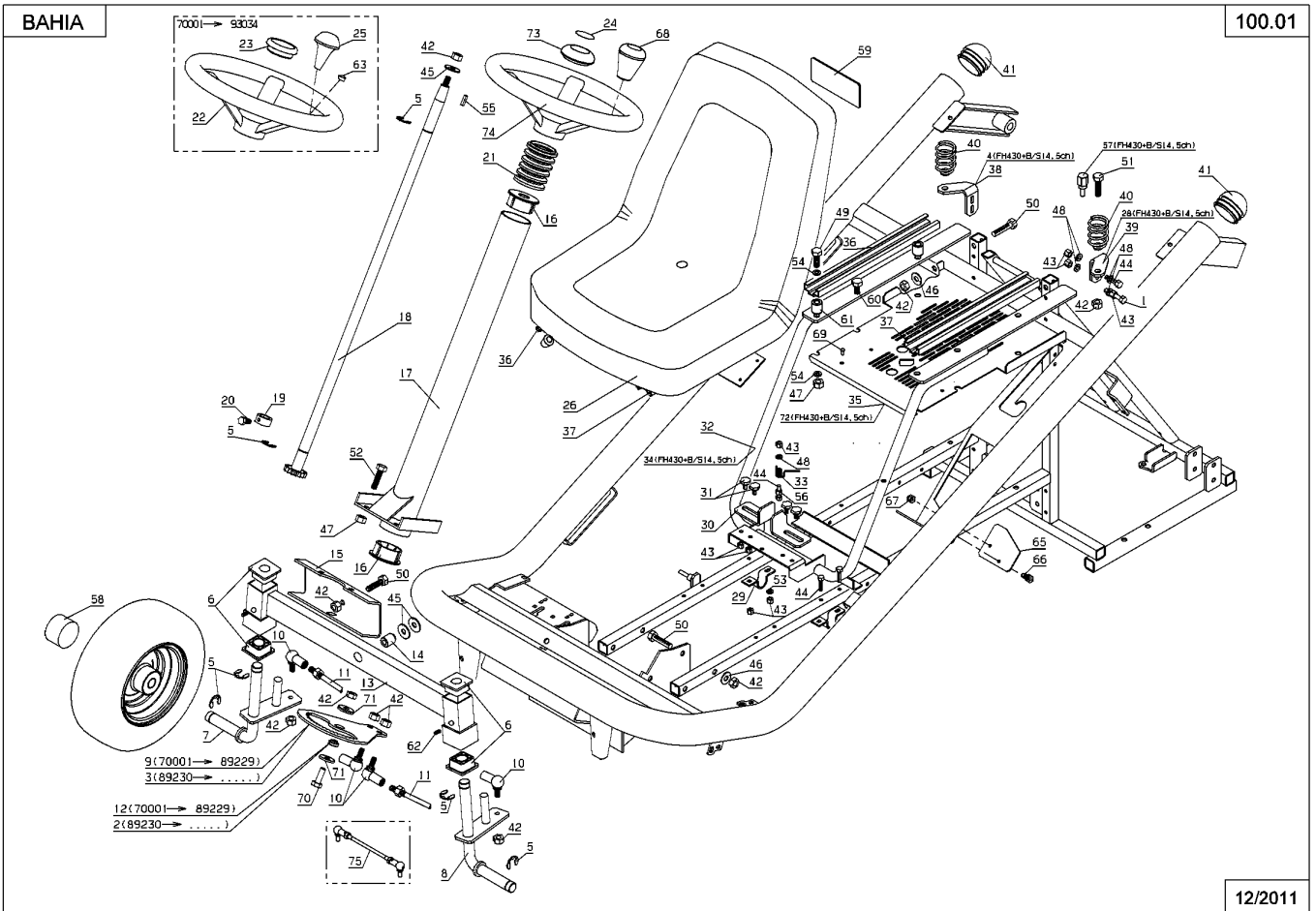


06/2009










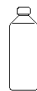
Number	Part Number	Name	Quantity
1	71288	SCREW HM6X60 8.8	1,000
2	28608	SPACER	1,000
3	28609	DRIVE CROWN GEAR	1,000
4	28598	REAR R.SEAT BRACKET	1,000
5	1513	CIRCLIP 15	1,000
6	28024	GUIDE RING	1,000
7	28401	RIGHT STUB AXLE	1,000
8	28402	LEFT STUB AXLE	1,000
9	28201	STEERING RING KIT	1,000
10	28047	STEER. KNUCKLE M10	1,000
11	28536	STEERING ROD	1,000
12	28114	STEERING RING SPACE	1,000
13	28403	FRONT AXLE	1,000
14	28025	FRONT AXLE SPACER	1,000
15	28028	STEERING RING SUPP.	1,000
16	28111	CONSOLE GUIDE RING	1,000
17	28300	STEERING CONSOLE	1,000
18	28430	STEERING COLUMN	1,000
19	25728	BRAKE THRUST WASHER	1,000
20	37997	SCREW HM6-16 8.8	1,000
21	28110	BELLOWS	1,000
22	28033	-> 29900 + 29978	1,000
23	28155	STEERING WHEEL CAP	1,000
24	25330	BADGE - ETESIA	1,000
25	-	-	1,000
26	38057	SEAT	1,000
27	28573	FRAME GREEN	1,000
28	28599	REAR L.SEAT BRACKET	1,000
29	25711	STRAP	1,000
30	28205	CATCH BOLT	1,000
31	28137	CATCH BOLT SP.SCREW	1,000
32	28414	SEAT SUPPORT	1,000
33	28206	SEAT BLOCAGE SPRING	1,000
34	28586	SEAT BRACKET	1,000
35	28022	SWITCH SUPPORT	1,000
36	28140	-> 38744 + 38746	1,000
37	28017	-> 38745 + 38747	1,000
38	28049	RH SEAT SUPPORT	1,000
39	28203	LH SEAT SUPPORT	1,000
40	28112	SEAT SPRING	1,000
41	28056	TUBE CAP 60	1,000

Number	Part Number	Name	Quantity
42	9017	NUT HM10	1,000
43	71201	NUT M6	1,000
44	22456	SCREW HM 6X40	1,000
45	71238	WASHER A10,2	1,000
46	21036	FLAT WASHER 10.5	1,000
47	71205	SCREW M8	1,000
48	21270	WASHER 6,4	1,000
49	7038	SCREW,DIN933 H M 8X	1,000
50	71198	HEX.SCREW HM10X45	1,000
51	71434	IN.HEX.SCREW M10X20	1,000
52	9056	BOLT 8X25	1,000
53	2235	WASHER A6.4	1,000
54	7335	WASHER	1,000
55	20606	KEY 5X5X20	1,000
56	1557	NUT HM6	1,000
57	28645	SEAT STOP	1,000
58	25176	WHEEL CAP	1,000
59	28308	ETESIA LOGO	1,000
60	6169	SCREW HM8X16	1,000
61	28296	SPACER	1,000
62	25301	RH STD "HYDRAULIC"	1,000
63	28294	COWL	1,000
65	28381	LOCK LOWER CUT.HEI.	1,000
66	2009	BOLT M5X16	1,000
67	37561	NUT	1,000
68	29923	STEERING WHEEL GAIT	1,000
69	71114	ALUMINUM NAIL RIVET	1,000
70	71110	HEXAGON SCREW,DIN 9	1,000
71	9009	WASHER	1,000
72	28585	SWITCH SUPPORT	1,000
73	29978	STEERING WHEEL CAP	1,000
74	29900	STEERING WHEEL	1,000



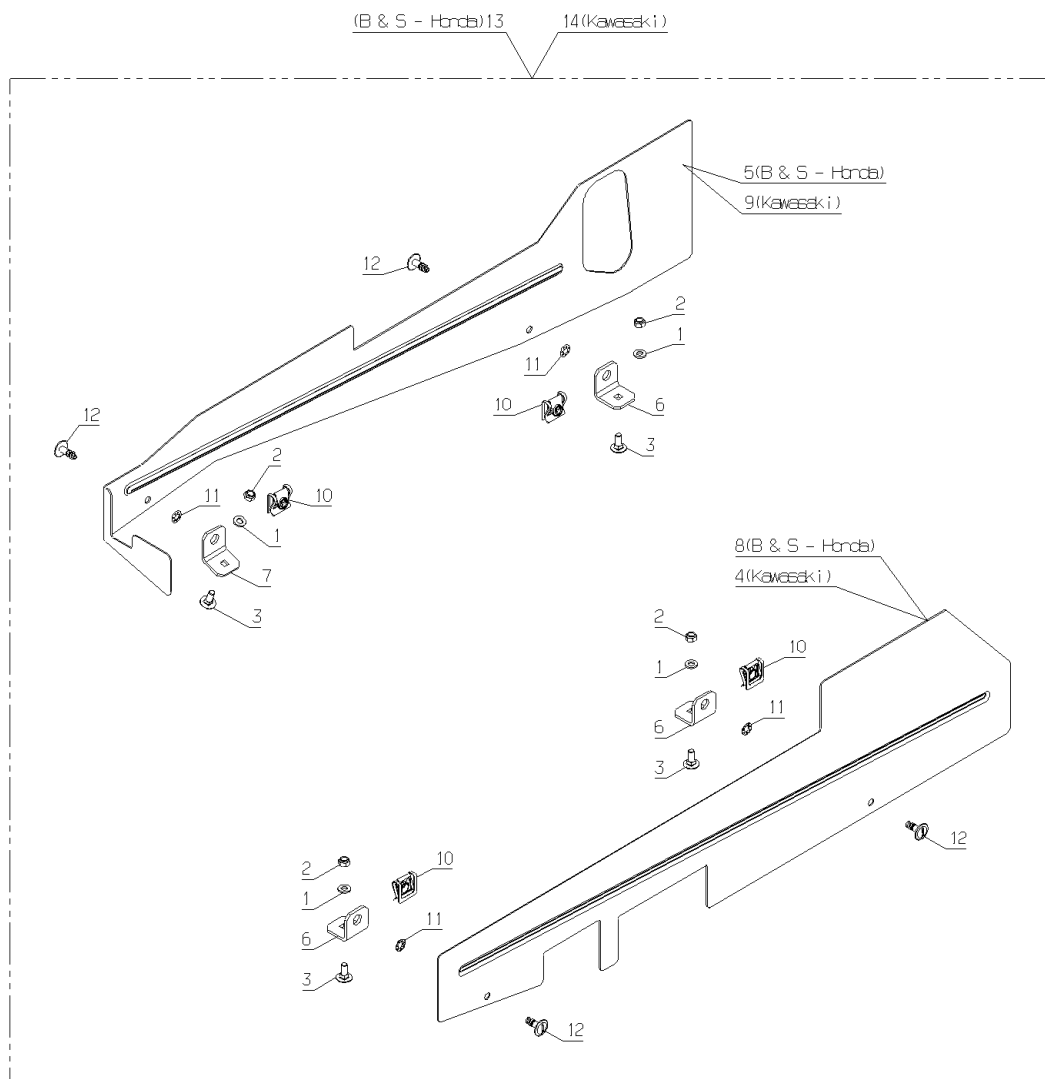


Number	Part Number	Name	Quantity
1	28479	REAR WHEEL GR. TREL	1,000
2	28186	REAR WHEEL GR. S/N	1,000
3	28445	REAR TYRE TREL	1,000
4	28351	TYRE SO/NAT	1,000
5	28483	REAR RIM GR. TR	1,000
6	28355	REAR RIM GR. S	1,000
7	28353	INNER TUBE REAR	1,000
9	28478	FRONT WHEEL GR. 6"	1,000
10	28452	FRONT WHEEL GR. 5"	1,000
11	28187	FRONT WHEEL GR. 4"	1,000
12	28444	FRONT TYRE 6"	1,000
13	28455	FRONT TYRE 5"	1,000
14	28350	FRONT TYRE 4"	1,000
15	28482	FRONT RIM GR. 6"	1,000
16	28454	FRONT RIM GR. 5"	1,000
18	28484	INNER TUBE 6"	1,000
19	28456	INNER TUBE 5"	1,000
20	28352	INNER TUBE 4"	1,000
21	25616	BEARING	1,000
22	28461	TYRES LIQUID SEAL	1,000

BAHIA 102.01	TRELLEBORG	KENDA-NATIER SONAMIA	KENDA-NATIER SONAMIA
	16x6,5-8 1	16x6,5-8 2	
	16x6,5-8 3	16x6,5-8 4	
	5	6	
	7	8	
	10x6,5-6 9	4, 1x3,5-5 10	11x4-4 11
	10x6,5-6 12	4, 1x3,5-5 13	11x4-4 14
	6 pouces/zoll / inch 15	5 pouces/zoll / inch 16	4 pouces/zoll / inch 17
	18	19	20
		21	
		22	

Number	Part Number	Name	Quantity
1	2235	WASHER A6.4	1,000
2	71201	NUT M6	1,000
3	21608	SCREW 6X16 DIN	1,000
4	37307	LEFT PROTECTION KAW	1,000
5	37308	RIGHT PROTECTION	1,000
6	37310	LEFT PROTECT.FIXING	1,000
7	37311	PROTECTION FIXING	1,000
8	37486	LEFT PROTECTION	1,000
9	37487	RIGHT PROTECTION	1,000
10	37499	1/4 ROTATION LOCK	1,000
11	37500	1/4 ROTATION WASHER	1,000
12	37501	1/4 ROTATION SCREW	1,000
13	37550	MOB.ELEM.NORM.KIT	1,000
14	37551	MOB.ELEM.NORM.KIT.K	1,000

PL01551



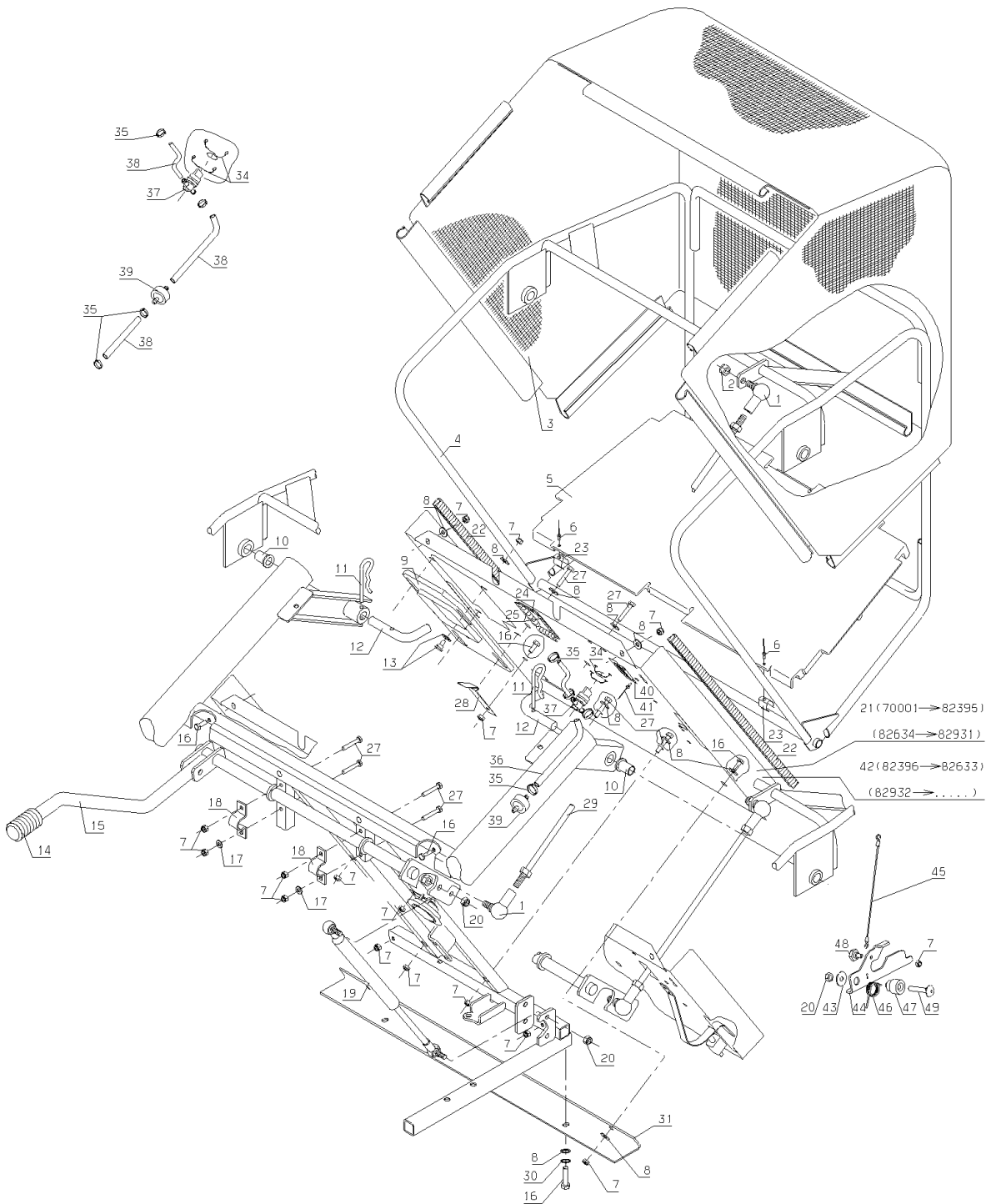
04/2010

Number	Part Number	Name	Quantity
1	28047	STEER. KNUCKLE M10	1,000
2	9017	NUT HM10	1,000
3	28087	BAG	1,000
4	28408	COLLECTOR FRAME	1,000
5	28095	COLLECTOR BOTTOM	1,000
6	71241	NAIL RIVET 4,8X10,5	1,000
7	71201	NUT M6	1,000
8	21270	WASHER 6,4	1,000
9	28568	CHANNEL GUIDE	1,000
10	28070	SLEEVE 15/17/20	1,000
11	71228	BETA PIN 4	1,000
12	28082	LINK AXLE	1,000
13	28137	CATCH BOLT SP.SCREW	1,000
14	28118	CUT.HEIGHT LEVER HA	1,000
15	28409	LEVER	1,000
16	37997	SCREW HM6-16 8.8	1,000
17	2235	WASHER A6.4	1,000
18	25711	STRAP	1,000
19	51458	GAS CYLINDER	1,000
20	71205	SCREW M8	1,000
21	28295	REAR PLATE	1,000
22	28254	PROTECT.COATING 690	1,000
23	25886	17/20 CUP	1,000
26	20619	WASHER	1,000
27	22456	SCREW HM 6X40	1,000
28	40016	LOCK	1,000
29	28168	RETURNING ROD	1,000
30	71049	SPRING WASHER,DIN 1	1,000
31	28362	COLL.PLATE REINF.96	1,000
34	5202	RILSAN COLLAR	1,000
35	28323	HOSE HAND CLIP	1,000
36	30281	FUEL HOSE 1400 MM	1,000
37	28324	FUEL STOP VALVE	1,000
39	25266	FILTER FUEL	1,000
40	28068	COLLECTOR BRUSH	1,000
41	71114	ALUMINUM NAIL RIVET	1,000
42	28522	REAR PLATE	1,000
43	7035	FLAT WASHER	1,000
44	28547	LOCKING PLATE	1,000
45	28549	GRASSBOX COV.CABLE	1,000
46	40063	TENSIONNER SPRING	1,000

Number	Part Number	Name	Quantity
47	28548	PIVOT SCREW	1,000
49	20520	BOLT 8X45	1,000

MBHE-MHHE-MKHE

110.01



11/2007

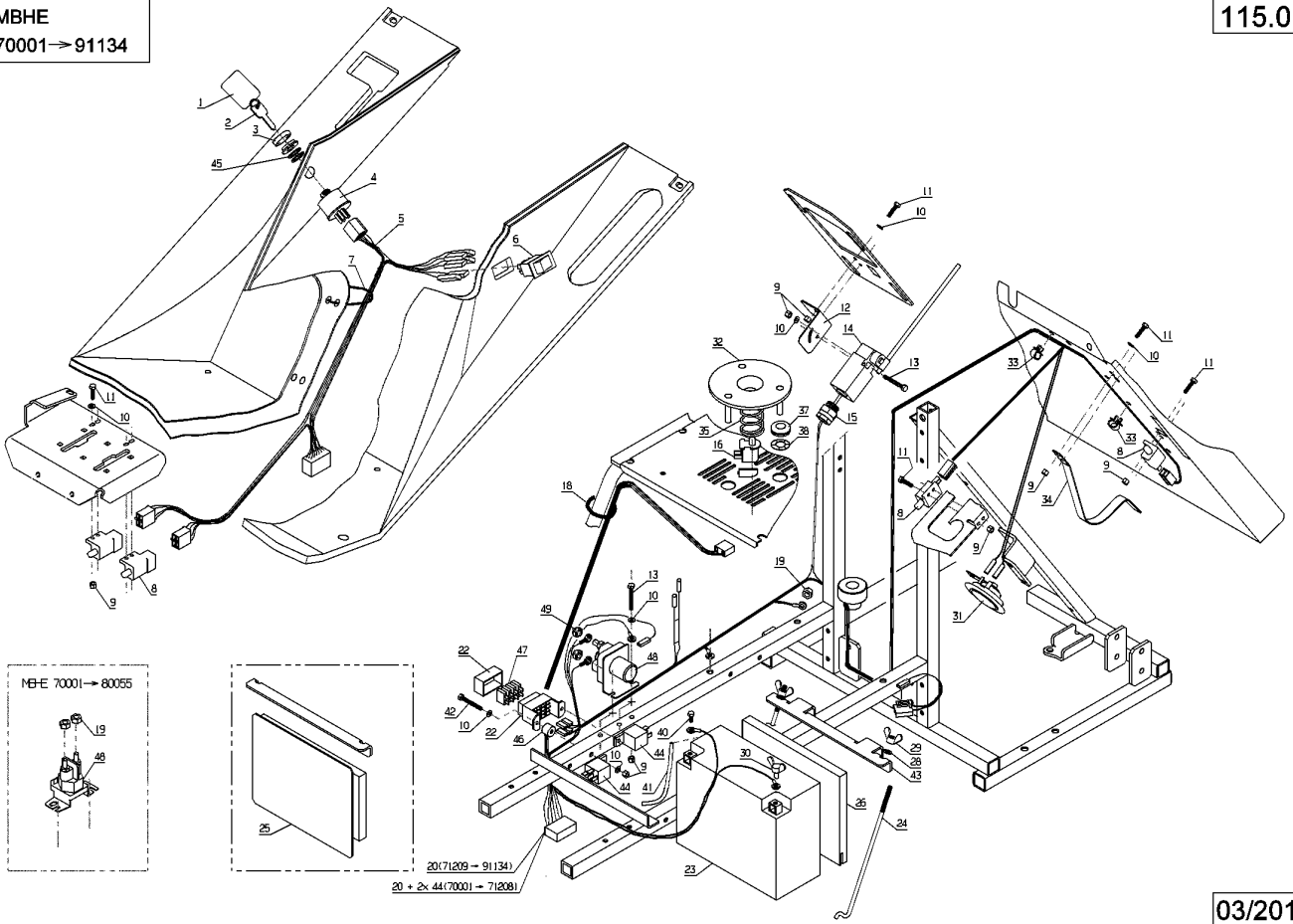


Number	Part Number	Name	Quantity
1	28310	-> 37829	1,000
2	28388	SET OF 2 KEY	1,000
3	28382	KEY CONTACT. EMBEL.	1,000
4	28384	KEY CONTACTOR	1,000
5	28291	FRONT ELE.WIRING 96	1,000
6	52494	SWITCH	1,000
7	5202	RILSAN COLLAR	1,000
8	28159	SWITCH	1,000
9	37561	NUT	1,000
10	20564	WASHER 5,5	1,000
11	2009	BOLT M5X16	1,000
12	28211	BUZZER SWITCH SUPP.	1,000
13	5399	BOLT M5X40	1,000
14	28210	BUZZER SWITCH	1,000
15	29789	CONTACTOR GROMMET	1,000
16	28106	SEAT SWITCH	1,000
17	28081	CLAMP 12,8MM	1,000
18	21119	COLLAR 260 MM	1,000
19	71001	NUT 1/4"	1,000
20	28390	REAR EL.WIR. B/S 97	1,000
22	25803	PLUG FUSE HOLDER	1,000
23	52101	BATTERY	1,000
24	28164	BATTERY CLAMP ROD	1,000
25	28244	BATTERY PROTECTION	1,000
26	28015	BATTERY HEAT PROTEC	1,000
28	21270	WASHER 6,4	1,000
29	1504	WING NUT	1,000
30	71236	WING SCREW M6X12	1,000
31	28209	ALARM	1,000
32	28279	SENSITIVE DISK	1,000
34	28073	COLLECTOR SWITCH PL	1,000
35	28293	SPRING	1,000
36	16604	RELAY STARTER KIT	1,000
37	28292	RUBBER FUNEL DIA.14	1,000
38	7377	TRUARC COLLAR DIN 7	1,000
40	71168	LEAD SCREW 6-12	1,000
41	28329	BATTER.BREATHER 850	1,000
42	71167	CHC M5X50 SCREW	1,000
43	35675	BATTERY ANGLE BRACK	1,000
44	28392	WATERPROOF RELAY	1,000
45	71016	WASHER 16X22X1	1,000

Number	Part Number	Name	Quantity
46	28393	SPACER 16X5,2X12	1,000
47	25824	FUSE 20A 12V	1,000
49	28537	NUT HU BSF 5/163	1,000

115.01

MBHE  
70001 → 91134



03/2013

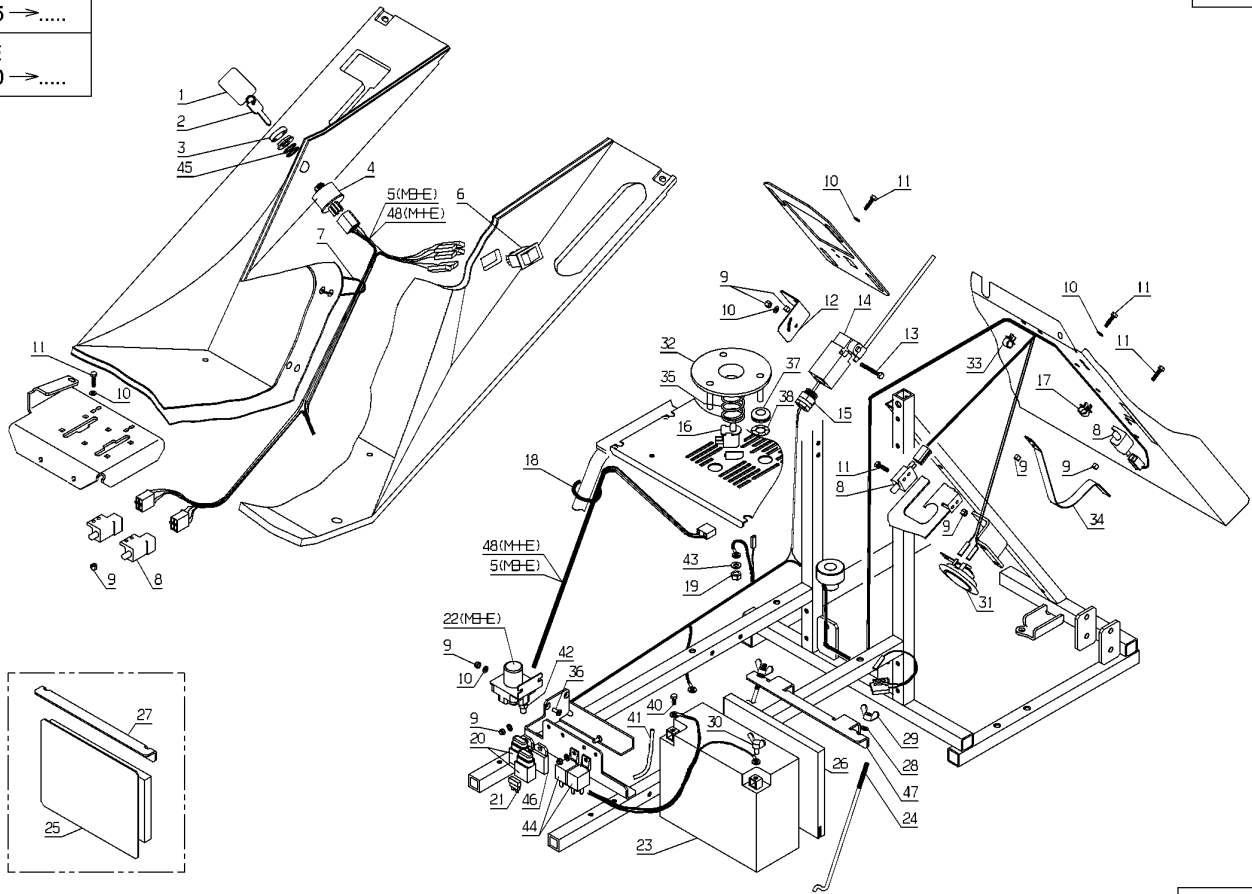
Number	Part Number	Name	Quantity
1	28310	-> 37829	1,000
2	28388	SET OF 2 KEY	1,000
3	28382	KEY CONTACT. EMBEL.	1,000
4	28384	KEY CONTACTOR	1,000
5	28592	WIRING	1,000
6	52494	SWITCH	1,000
7	5202	RILSAN COLLAR	1,000
8	28159	SWITCH	1,000
9	37561	NUT	1,000
10	20564	WASHER 5,5	1,000
11	2009	BOLT M5X16	1,000
12	28211	BUZZER SWITCH SUPP.	1,000
13	5399	BOLT M5X40	1,000
14	28210	BUZZER SWITCH	1,000
15	29789	CONTACTOR GROMMET	1,000
16	28106	SEAT SWITCH	1,000
17	28081	CLAMP 12,8MM	1,000
18	21119	COLLAR 260 MM	1,000
19	15849	HEX NUT	1,000
20	28582	PLUG FUSE HOLDER	1,000
21	25824	FUSE 20A 12V	1,000
22	16604	RELAY STARTER KIT	1,000
23	52101	BATTERY	1,000
24	28164	BATTERY CLAMP ROD	1,000
25	28244	BATTERY PROTECTION	1,000
26	28015	BATTERY HEAT PROTEC	1,000
27	28207	BATTERY SUPPORT	1,000
28	21270	WASHER 6,4	1,000
29	1504	WING NUT	1,000
30	71236	WING SCREW M6X12	1,000
31	28209	ALARM	1,000
32	28279	SENSITIVE DISK	1,000
34	28073	COLLECTOR SWITCH PL	1,000
35	28293	SPRING	1,000
36	20563	SCREW M5 X 12	1,000
37	28292	RUBBER FUNEL DIA.14	1,000
38	7377	TRUARC COLLAR DIN 7	1,000
39	28383	-> 28015 + 35675	1,000
40	71168	LEAD SCREW 6-12	1,000
41	28329	BATTER.BREATHER 850	1,000
42	28537	NUT HU BSF 5/163	1,000

Number	Part Number	Name	Quantity
43	15848	SPRING WASHER	1,000
44	28392	WATERPROOF RELAY	1,000
45	71016	WASHER 16X22X1	1,000
46	28594	BRACKET	1,000
47	35675	BATTERY ANGLE BRACK	1,000
48	28640	ELEC.WIRING HONDA	1,000

MBHE 14,5CH  
91135 → .....

MHHE  
93250 → .....

115.02

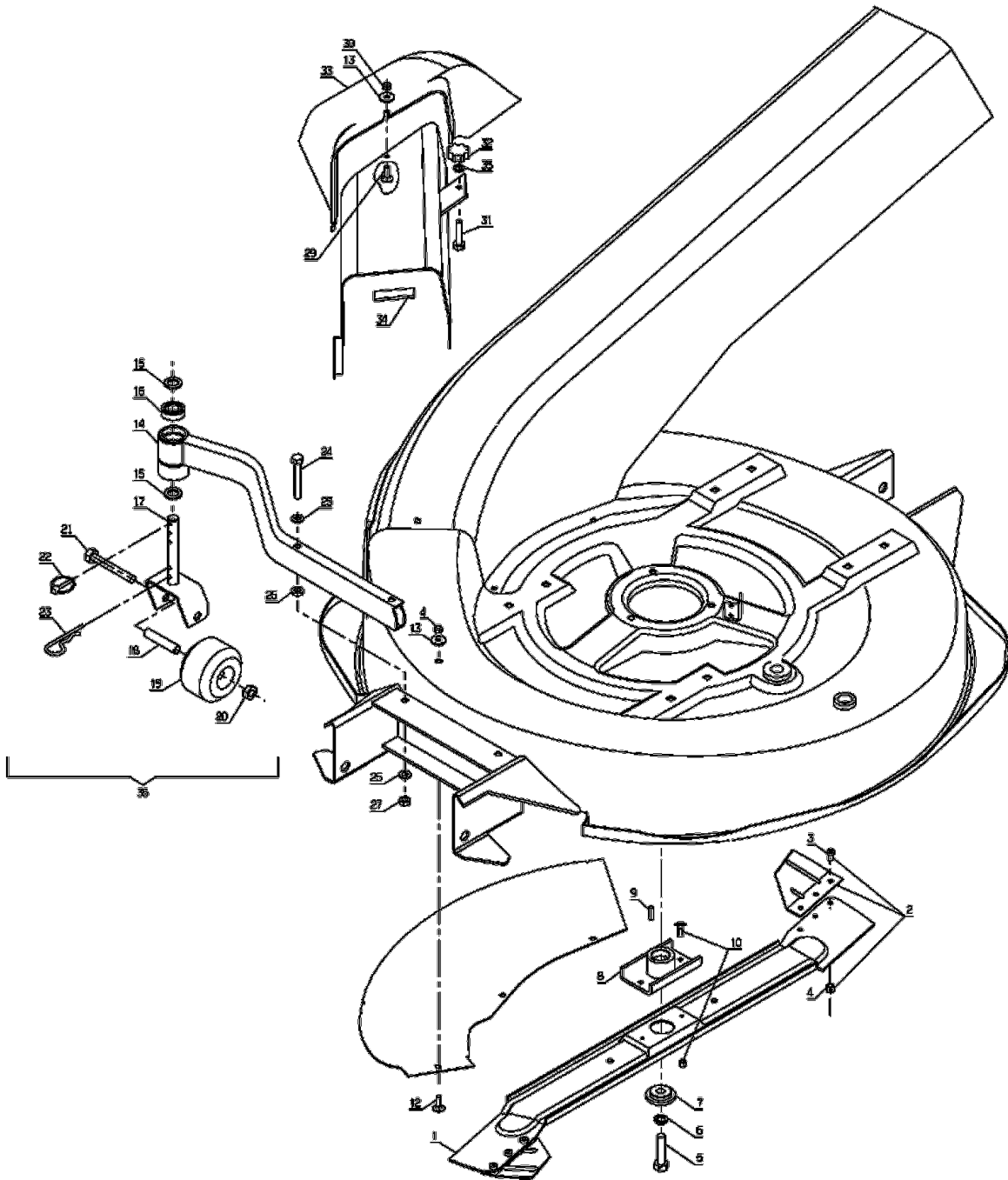


02/2012

Number	Part Number	Name	Quantity
1	MZ80M	BLADES FOR MULCHING	1,000
2	28486	MULCHING BLADE WING	1,000
3	36489	SCREW XM6-12	1,000
4	71201	NUT M6	1,000
5	71110	HEXAGON SCREW,DIN 9	1,000
6	71052	SPRING WASHER,DIN 1	1,000
7	28238	BLADE WASHER	1,000
8	28420	BLADE COUPLING	1,000
9	20602	KEY 5X5X25	1,000
10	26157	SET OF 8 SHEARBOLTS	1,000
12	5496	SCREW 6X20	1,000
13	22029	FLAT WASHER 6,5	1,000
14	28440	UPPER ROLLER TUBE	1,000
15	9166	WASHER 15X24X2	1,000
16	9022	BALL BEARING 6002	1,000
17	28437	ROLLER HOLDER	1,000
18	28333	ROLLER SPACER	1,000
19	28123	ROLLER	1,000
20	9017	NUT HM10	1,000
21	71032	KAWA SCREW H M10X75	1,000
22	71005	SAFETY PIN,DIN 1102	1,000
23	71228	BETA PIN 4	1,000
24	20513	SCREW,DIN 933 H M 8	1,000
25	7335	WASHER	1,000
26	71126	FLAT WASHER,DIN 734	1,000
27	71205	SCREW M8	1,000
29	71231	SCREW JM5-16	1,000
30	37561	NUT	1,000
31	71023	SCREW HM 6X50	1,000
32	28160	BUTTON	1,000
33	28149	DEFLECTOR (OUTSIDE)	1,000
34	28254	PROTECT.COATING 690	1,000
35	71049	SPRING WASHER,DIN 1	1,000
36	MAS80	ANTI SCALP KIT	1,000

MBHE-MHHE-MKHE

130.01



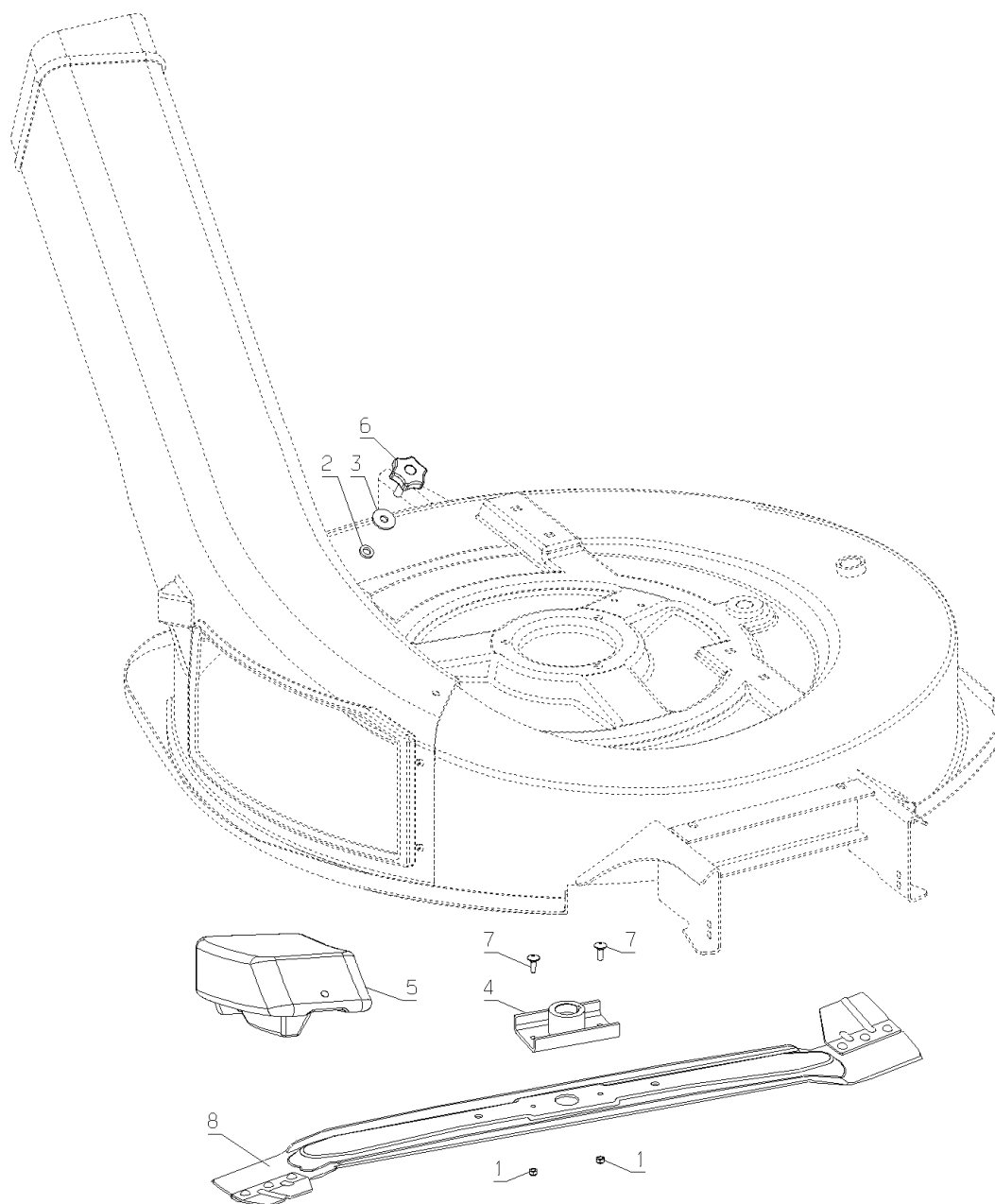
01/2014



Number	Part Number	Name	Quantity
1	37561	NUT	1,000
2	71343	SPRING WASHER A8	1,000
3	7035	FLAT WASHER	1,000
4	28420	BLADE COUPLING	1,000
5	35936	MULCHING PLUG	1,000
6	36152	BUTTOM	1,000
7	71231	SCREW JM5-16	1,000
8	MZ80M	BLADES FOR MULCHING	1,000

MU80N

PL01316

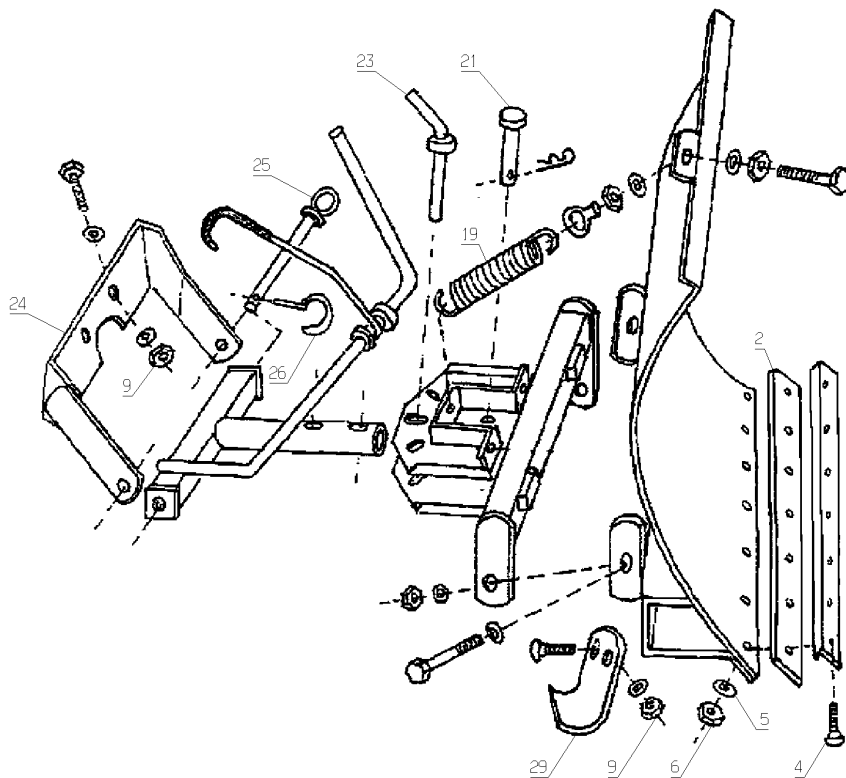


10/2007

Number	Part Number	Name	Quantity
2	30553	RUBBER 1,00M	1,000
4	71251	SCREW M10X35	1,000
5	9009	WASHER	1,000
6	9017	NUT HM10	1,000
9	30633	NUT	1,000
19	30565	SPRING	1,000
21	25469	PIN	1,000
23	25470	PIN	1,000
24	28344	MV80 FRAME	1,000
25	28360	HANGING AXLE	1,000
26	28361	CLIP PIN	1,000
29	30557	SHOE	1,000

MV80

131.01



11/2006