

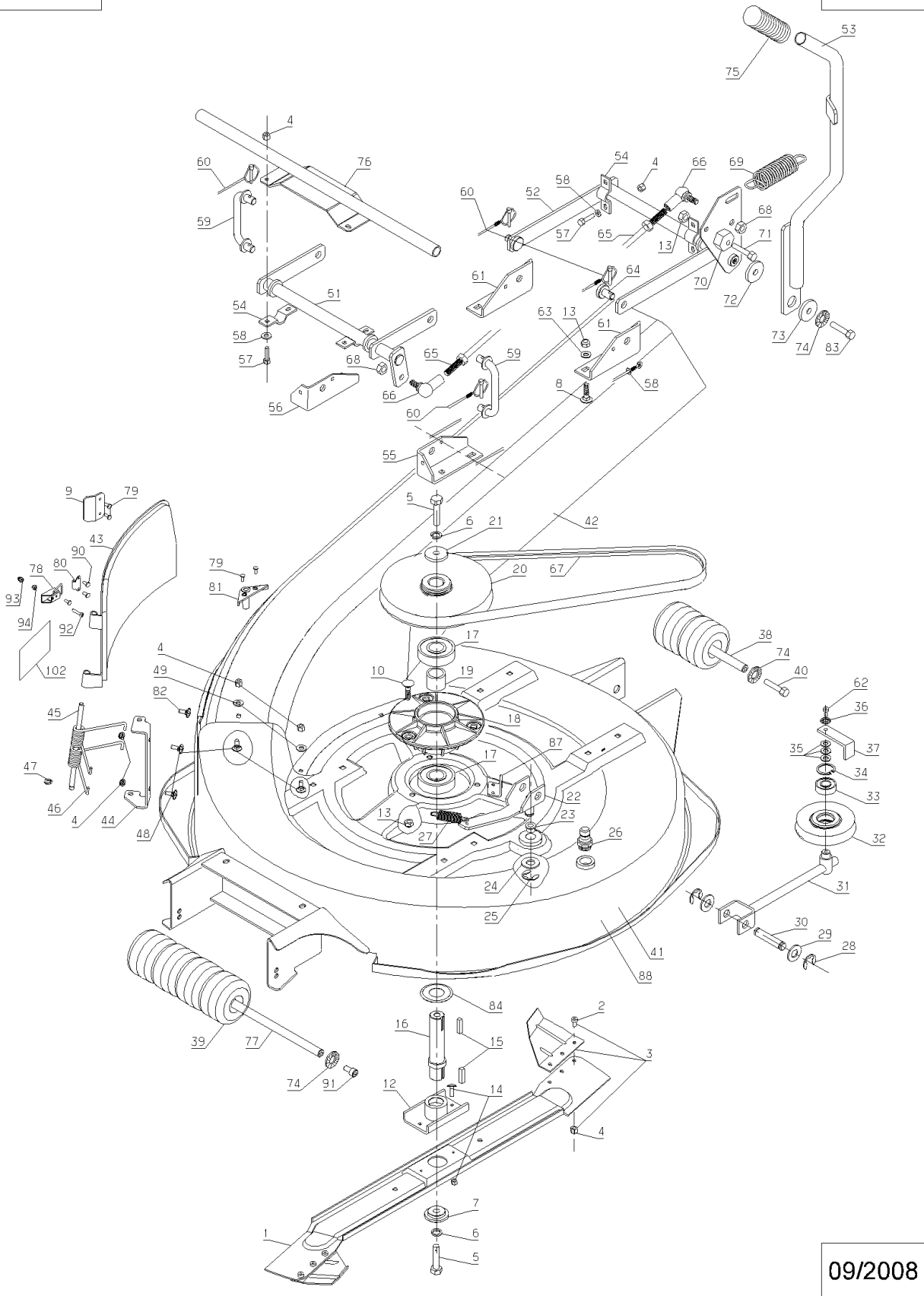
Number	Part Number	Name	Quantity
1	MZ80	BLADE FOR 80 CM	1,000
2	71463	SCREW M6-14,10.9	1,000
3	28791	BLADE WING KIT 80P	1,000
4	71201	NUT M6	1,000
5	71110	HEXAGON SCREW,DIN 9	1,000
6	71052	SPRING WASHER,DIN 1	1,000
7	28238	BLADE WASHER	1,000
8	9071	SCREW M8X20	1,000
9	28288	FLAP HANDLE	1,000
10	5347	SCREW 8X25	1,000
12	28420	BLADE COUPLING	1,000
13	71205	SCREW M8	1,000
14	26157	SET OF 8 SHEARBOLTS	1,000
15	20602	KEY 5X5X25	1,000
16	28062	BLADE SHAFT	1,000
17	21553	BEARING 6305-2RS	1,000
18	28171	BLADE BEARING	1,000
19	28020	BLADE BEARING SPACR	1,000
20	28391	PULLEY D.190/D.206	1,000
21	7341	FLAT WASHER 10,3X49	1,000
22	28411	BELT TIGH.YOKE	1,000
23	28070	SLEEVE 15/17/20	1,000
24	9166	WASHER 15X24X2	1,000
25	71047	CIRCLIP DIN 471 15X	1,000
26	53091	CORNER WATER PLUG	1,000
27	28076	TENSION SPRING	1,000
28	71036	DIN 471 14X1 EXT. C	1,000
29	71034	FLAT WASHER NFE 276	1,000
30	25126	BELT TIGHTENER ARM	1,000
31	50870	TENSIONNER ARM	1,000
32	25509	TENSIONING PULLEY	1,000
33	25112	BALL BEARING,6202 S	1,000
34	71039	CIRCLIP,DIN 427 35X	1,000
35	22029	FLAT WASHER 6,5	1,000
36	71049	SPRING WASHER,DIN 1	1,000
37	28284	BELT GUIDE	1,000
38	28316	REAR ROLLER SHAFT96	1,000
39	28742	ROLLER	1,000
40	6169	SCREW HM8X16	1,000
41	28405	CUTTING DECK NAKED	1,000
42	39469	EJECTION CHANNEL	1,000

Number	Part Number	Name	Quantity
43	28230	OBSERVATION FLAP	1,000
44	28233	OBSERVAT.FLAP SUPP.	1,000
45	28231	FLAP SHAFT	1,000
46	28245	FLAP SPRING	1,000
47	5602	ANNEAU TRUARC	1,000
48	21608	SCREW 6X16 DIN	1,000
51	28419	CUTT.HEIGHT FR.ARM	1,000
52	37618	REAR ARM	1,000
53	28429	CUTT. HEIGHT LEVER	1,000
54	25711	STRAP	1,000
55	28720	FRONT LEFT BRACKET	1,000
56	28721	FRONT RIGHT BRACKET	1,000
57	71239	HEX.SCREW HM6X45	1,000
58	2235	WASHER A6.4	1,000
59	28113	INTERMEDIATE ROD	1,000
60	28075	SAFETY PIN & CHAIN	1,000
61	28722	REAR BRACKET	1,000
62	20507	BOLT HM 6X20	1,000
63	7035	FLAT WASHER	1,000
64	28208	SHAFT	1,000
65	28119	ROD	1,000
66	28047	STEER. KNUCKLE M10	1,000
67	28729	BELT 1207 MM	1,000
68	9017	NUT HM10	1,000
69	25425	COMPENSATION SPRING	1,000
70	28040	CUTTING HEIGHT STOP	1,000
71	9061	BOLT 8X30	1,000
72	7330	WASHER	1,000
73	20021	WASHER 8,5X40X4	1,000
74	71343	SPRING WASHER A8	1,000
75	28118	CUT.HEIGHT LEVER HA	1,000
76	28427	FRONT DECK SUPPORT	1,000
77	28315	FR.ROLLER SHAFT 96	1,000
78	37074	CLAMP	1,000
79	71114	ALUMINUM NAIL RIVET	1,000
80	37085	CLAMP HOOK	1,000
81	28386	DEFLECTOR GUIDE	1,000
82	5496	SCREW 6X20	1,000
83	71413	SCREW HM 8-20	1,000
84	28530	PROTECTION WASHER	1,000
87	28448	STOP	1,000

Number	Part Number	Name	Quantity
88	28872	CUT.DECK 80 CPLT	1,000
90	71113	NAIL RIVET, DIA. 4X	1,000
91	71372	IN.HEX.SCREW M8X16	1,000
92	37072	SCREW HC M4-20 10.9	1,000
93	37073	NUT	1,000
94	21525	NUT HM4	1,000
102	13089	ETIQ. TRAPPE FR.	1,000

MKHP

105.02

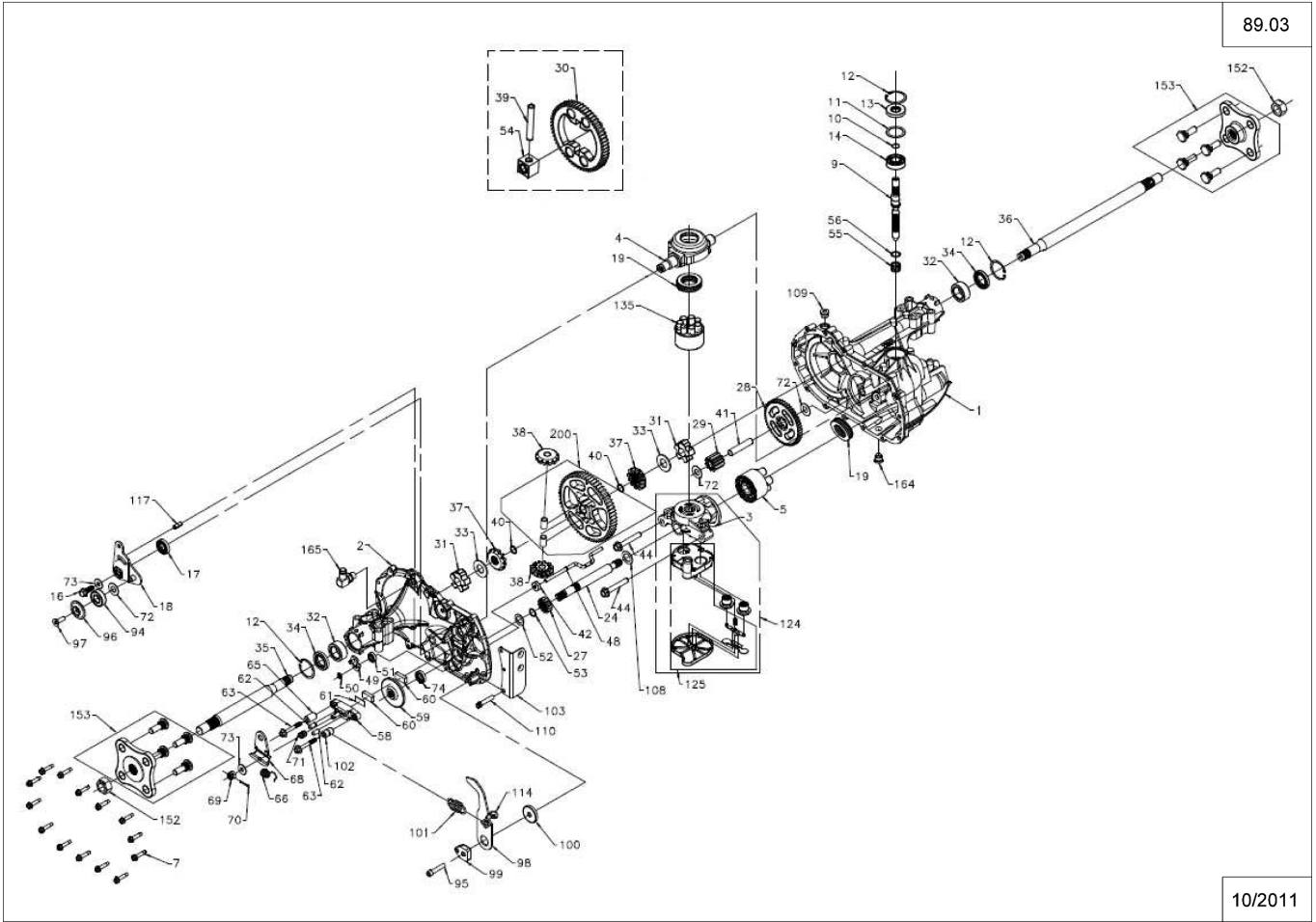


Number	Part Number	Name	Quantity
1	28797	MAIN CASING	1,000
2	28798	SIDE CASING	1,000
3	28799	PUMP CASING	1,000
4	28800	OSCILLATING PLATE	1,000
5	28801	PISTON PUMP	1,000
7	28802	SCREW 1/4-20X1,25	1,000
9	28772	IMPUT SHAFT	1,000
10	28803	RING	1,000
11	28773	SPACER	1,000
12	28774	CIRCLIP	1,000
13	28775	IMPUT SHAFT SEAL	1,000
14	28776	BEARING	1,000
16	28805	SCREW 5/16-24X0,94	1,000
17	28806	LIP SEAL 18X32X7	1,000
18	28807	LEVER	1,000
19	28808	OSCILL.PLATE STOP	1,000
23	28809	PLUG	1,000
24	28810	SHAFT	1,000
27	28811	PINION 13TH	1,000
28	28812	PINION 10/48 TH.	1,000
29	28813	PINION 10 TH.	1,000
30	28874	DIFF. KIT	1,000
31	28815	BUSH	1,000
32	28816	BUSH	1,000
33	28817	SPACER	1,000
34	28777	OUTPUT SHAFT SEAL	1,000
35	28818	RIGHT SHAFT	1,000
36	28819	LEFT SHAFT	1,000
37	28820	PINION 12 TH.	1,000
38	28821	PINION 12 TH.	1,000
39	28822	DIFFERENTIAL AXLE	1,000
40	28823	RING	1,000
41	28824	PIN	1,000
42	28825	MAGNETIC RING	1,000
43	28826	BY-PASS SPRING	1,000
44	28827	SCREW 3/8-21X2,5	1,000
45	28828	LOWER FILTER	1,000
46	28829	FILTER BASE	1,000
47	28830	BY-PASS CONTROL	1,000
48	28831	BY-PASS CONTROL ROD	1,000
49	28832	BY-PASS LEVER	1,000

Number	Part Number	Name	Quantity
50	28833	RING	1,000
51	28834	LIPS SEAL	1,000
52	28835	SPACER	1,000
53	28836	RING	1,000
54	28837	CENTERING BUSH	1,000
55	28778	SPRING	1,000
56	28779	WASHER	1,000
58	28838	BRAKE CALIPER	1,000
59	28839	BRAKE DISK	1,000
60	28780	BRAKE SHOE	1,000
61	28840	ADJUSTEMENT PLATE	1,000
62	28841	PIN	1,000
63	28842	SCREW 1/4-20X2	1,000
65	28843	SPACER	1,000
66	28844	SPRING	1,000
68	28845	BRAKE LEVER	1,000
69	28846	NUT	1,000
70	28847	PIN	1,000
71	28848	SPRING	1,000
72	28849	WASHER	1,000
73	28850	WASHER	1,000
74	28781	SEAL KIT	1,000
75	28851	CAP	1,000
94	28852	BEARING	1,000
95	28853	SCREW 5/16-24X1-1/2	1,000
96	28854	SPACER	1,000
97	28855	SCREW 5/16-18X1	1,000
98	28856	RETURN LEVER	1,000
99	28857	SHIM	1,000
100	28858	WASHER	1,000
101	28859	SPRING	1,000
103	28861	BRACKET	1,000
107	28862	DEFLECTOR	1,000
108	28863	WASHER	1,000
109	28782	PLUG	1,000
110	28864	SCREW TORX 5/16-18	1,000
114	28865	ELASTIC RING	1,000
117	28866	SPRING PIN	1,000
119	28783	FAN	1,000
120	28784	PULLEY	1,000
121	28785	NUT 1/2-20	1,000

Number	Part Number	Name	Quantity
122	28786	WASHER	1,000
124	28867	FILTER UNIT CPLT	1,000
125	28868	FILTER CPLT	1,000
135	28869	PISTON PUMP	1,000
152	28787	NUT 3/4-16	1,000
153	28788	HUB CPLT	1,000
164	28789	PLUG 9/16-18	1,000
165	28790	PIPETTE 9/16-90°	1,000

89.03

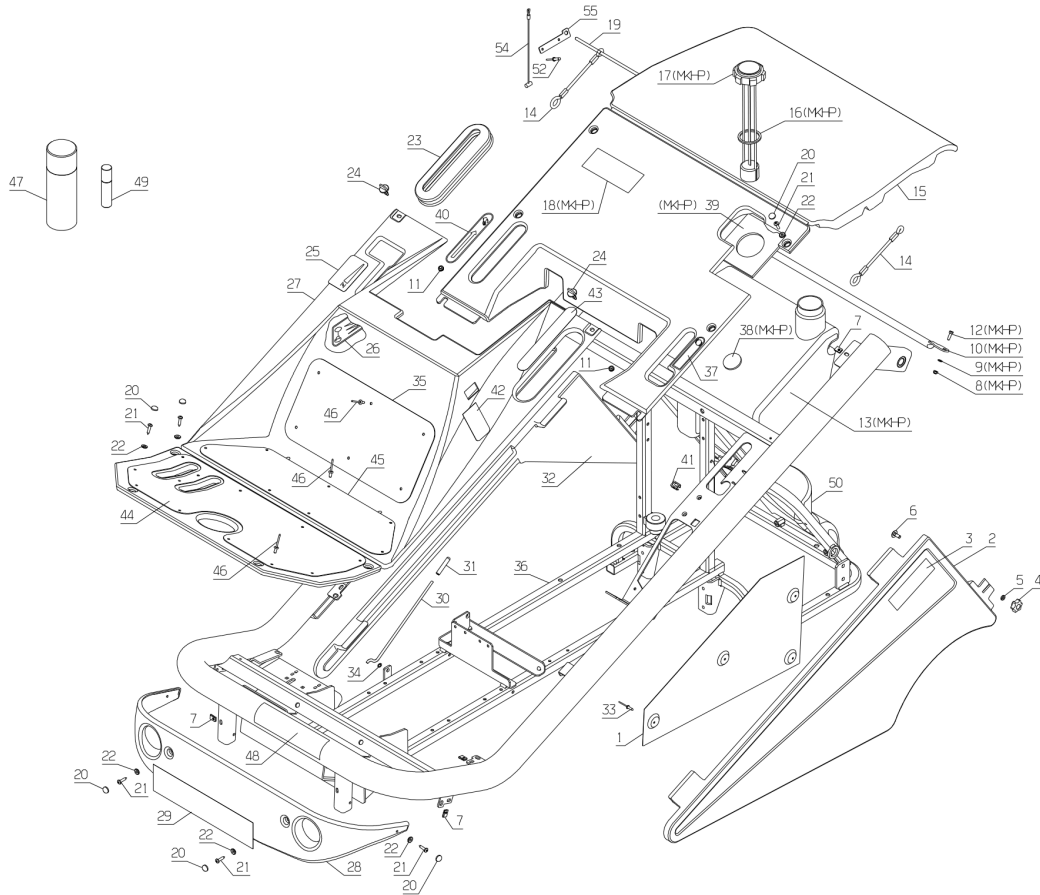


10/2011

Number	Part Number	Name	Quantity
1	28319	PROTECTIVE SHEET	1,000
2	28469	-> 28305 + 28304	1,000
3	13086	STICKER ETESIA	1,000
4	28160	BUTTON	1,000
5	71049	SPRING WASHER,DIN 1	1,000
6	21608	SCREW 6X16 DIN	1,000
7	21436	CLIPS NUT	1,000
8	37561	NUT	1,000
9	20564	WASHER 5,5	1,000
10	28052	CROSSPIECE	1,000
11	28317	RUBBER FUNEL DIA.5	1,000
12	2009	BOLT M5X16	1,000
13	28050	PETROL TANK	1,000
14	28239	COVER BAND	1,000
15	28307	BACK HOOD WHITE	1,000
16	28250	GASKET	1,000
17	28055	PETROL GAUGE	1,000
18	13235	LABEL MKHP	1,000
19	28240	ROD	1,000
20	28102	PROTECTIVE COWL	1,000
21	71111	TAPPING SCREW,DIN 7	1,000
22	28094	WASHER	1,000
23	28242	COVER CUTTING HEIGH	1,000
24	28228	1/4 ROTATION SCREW	1,000
25	13075	STICKER GAS	1,000
26	13072	KEY STICKER	1,000
27	28306	FRONT DECK	1,000
28	28688	STEERING COVER	1,000
29	13085	STICKER ETESIA	1,000
30	28164	BATTERY CLAMP ROD	1,000
31	28148	JOINING PIECE	1,000
32	28706	RIGHT SIDE COVER	1,000
33	71114	ALUMINUM NAIL RIVET	1,000
34	6185	SELF LOCK RING	1,000
35	28730	STEP PLATE	1,000
36	28656	FRAME 25	1,000
37	13074	STCKER PARKG BRAKE	1,000
38	25879	SELF-ADHESIVE WASHE	1,000
39	28311	SEALING.FOAM TANK	1,000
40	13073	STICKER EMPTYING	1,000
41	28229	1/4 ROTATION SCREW	1,000

Number	Part Number	Name	Quantity
42	13071	STICKER BLADE START	1,000
43	13070	STICKER CUT.HEIGHT	1,000
44	28280	DECK PROTECT.FRONT	1,000
45	28281	DECK PROTECT.REAR	1,000
46	71245	RIVET 9X1,5X5,5	1,000
47	25965	COLOR SPRAY GREEN	1,000
48	13021	STICKER	1,000
49	25480	GREEN COLOUR STICK	1,000
50	28726	TRANSMISSION COVER	1,000
52	71327	NAIL RIVET 4X21	1,000
53	28573	FRAME GREEN	1,000
54	28643	GRASSBOX COVER CABL	1,000
55	28644	GUIDE	1,000

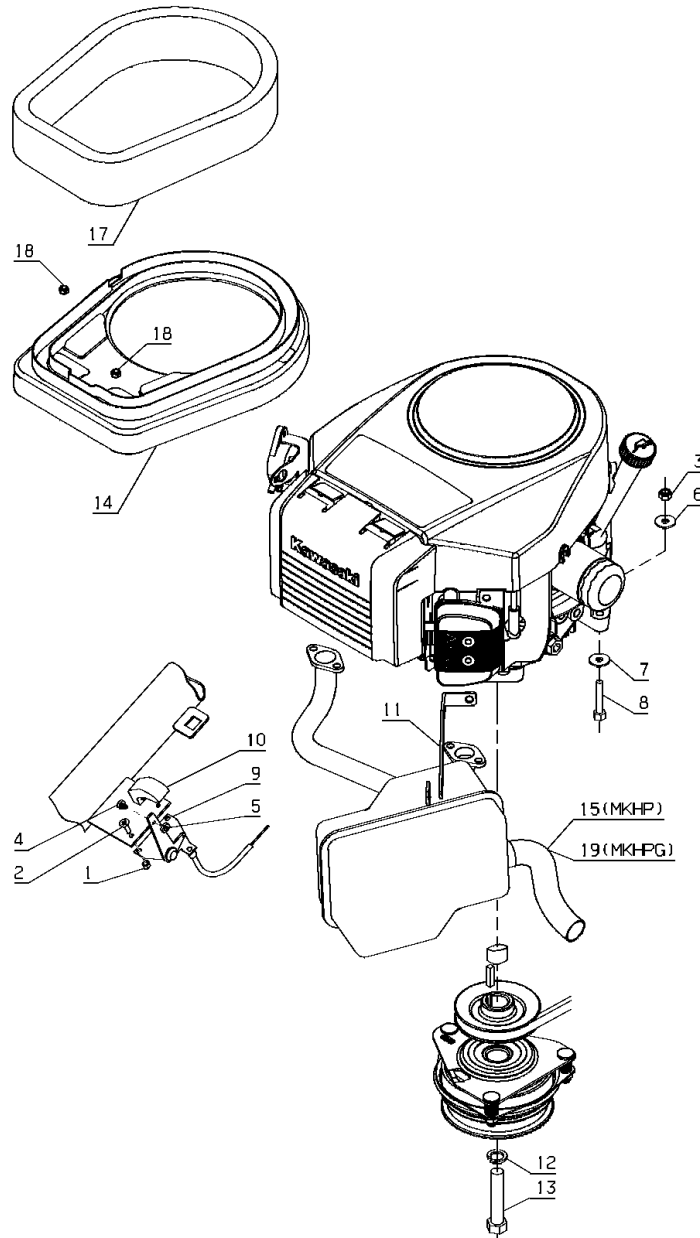
90.02



05/2018

Number	Part Number	Name	Quantity
1	37561	NUT	1,000
2	71128	SCREW TFCR M5X16	1,000
3	71205	SCREW M8	1,000
4	71224	GAS GRIP SCREW 8-32	1,000
5	71225	GAS GRIP NUT 8-32"	1,000
6	7035	FLAT WASHER	1,000
7	7335	WASHER	1,000
8	20513	SCREW,DIN 933 H M 8	1,000
9	37821	THROTTLE KIT	1,000
10	28177	GAS GRIP	1,000
11	28590	MUFFLER FAST.LUG	1,000
12	71159	WASHER 7/16"	1,000
13	71208	SCREW H7/16"20	1,000
14	28581	FOAM SUPPORT KAWA	1,000
15	28577	MUFFLER	1,000
17	28591	BELLOW FOAM KAWA	1,000
18	71201	NUT M6	1,000
19	36845	MUFFLER-VERSION GAZ	1,000

97.04

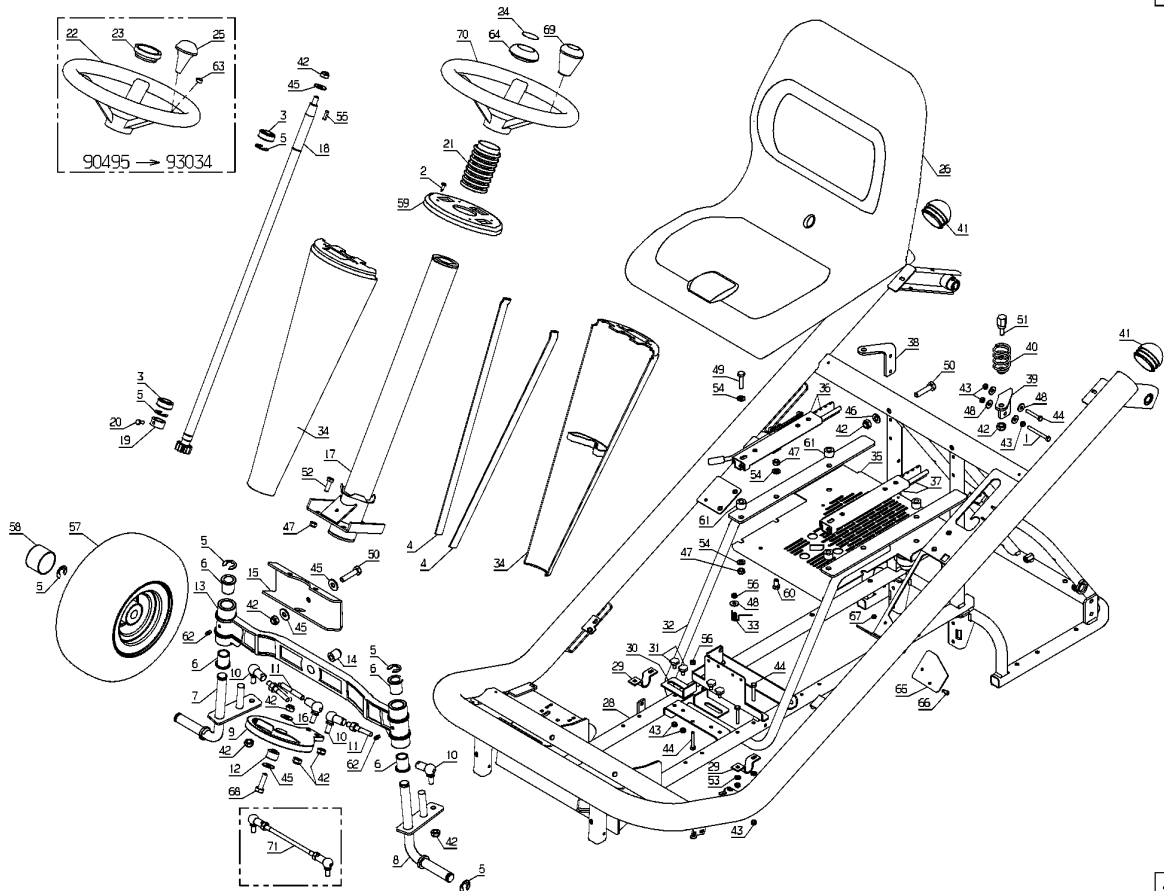


02/2013

Number	Part Number	Name	Quantity
1	71288	SCREW HM6X60 8.8	1,000
2	71111	TAPPING SCREW,DIN 7	1,000
3	28728	STEERING KNUCKLE	1,000
4	28697	CAOUTCHOUC PROFIL	1,000
5	1513	CIRCLIP 15	1,000
6	25305	SELF-LUBRIC.RING C2	1,000
7	28719	RIGHT STUB AXLE	1,000
8	28718	LEFT STUB AXLE	1,000
9	28663	STEERING RING	1,000
10	28047	STEER. KNUCKLE M10	1,000
11	28536	STEERING ROD	1,000
12	28690	SPACER	1,000
13	28651	AXLE	1,000
14	28025	FRONT AXLE SPACER	1,000
15	28028	STEERING RING SUPP.	1,000
16	9009	WASHER	1,000
17	28681	STEERING CONSOLE	1,000
18	28679	STEERING COLUMN	1,000
19	25728	BRAKE THRUST WASHER	1,000
20	37997	SCREW HM6-16 8.8	1,000
21	28110	BELLOWS	1,000
22	28033	-> 29900 + 29978	1,000
23	28155	STEERING WHEEL CAP	1,000
24	25330	BADGE - ETESIA	1,000
25	-	-	1,000
26	53333	SEAT COBO GT75	1,000
27	28573	FRAME GREEN	1,000
28	28656	FRAME 25	1,000
29	25711	STRAP	1,000
30	28205	CATCH BOLT	1,000
31	28137	CATCH BOLT SP.SCREW	1,000
32	28586	SEAT BRACKET	1,000
33	28206	SEAT BLOCAGE SPRING	1,000
34	28683	CONSOLE COVER	1,000
35	28585	SWITCH SUPPORT	1,000
36	37079	SEAT GUIDE RIGHT	1,000
37	30714	SEAT GUIDE LEFT	1,000
38	28598	REAR R.SEAT BRACKET	1,000
39	28599	REAR L.SEAT BRACKET	1,000
40	28112	SEAT SPRING	1,000
41	28056	TUBE CAP 60	1,000

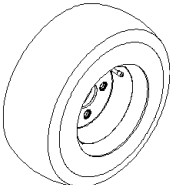
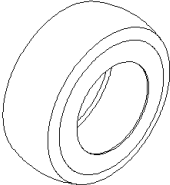
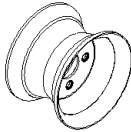
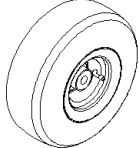
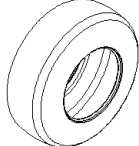



Number	Part Number	Name	Quantity
42	9017	NUT HM10	1,000
43	71201	NUT M6	1,000
44	22456	SCREW HM 6X40	1,000
45	71238	WASHER A10,2	1,000
46	21036	FLAT WASHER 10.5	1,000
47	71205	SCREW M8	1,000
48	21270	WASHER 6,4	1,000
49	7038	SCREW,DIN933 H M 8X	1,000
50	71198	HEX.SCREW HM10X45	1,000
51	28645	SEAT STOP	1,000
52	9056	BOLT 8X25	1,000
53	2235	WASHER A6.4	1,000
54	7335	WASHER	1,000
55	20606	KEY 5X5X20	1,000
56	1557	NUT HM6	1,000
57	28731	FRONT WHEEL 13"	1,000
58	25176	WHEEL CAP	1,000
59	28677	INSTRUMENT BOARD	1,000
60	6169	SCREW HM8X16	1,000
61	28711	SEAT SPACER	1,000
62	25301	RH STD "HYDRAULIC"	1,000
63	28294	COWL	1,000
64	29978	STEERING WHEEL CAP	1,000
65	28381	LOCK LOWER CUT.HEI.	1,000
66	2009	BOLT M5X16	1,000
67	37561	NUT	1,000
69	29923	STEERING WHEEL GAIT	1,000
70	29900	STEERING WHEEL	1,000

100.02



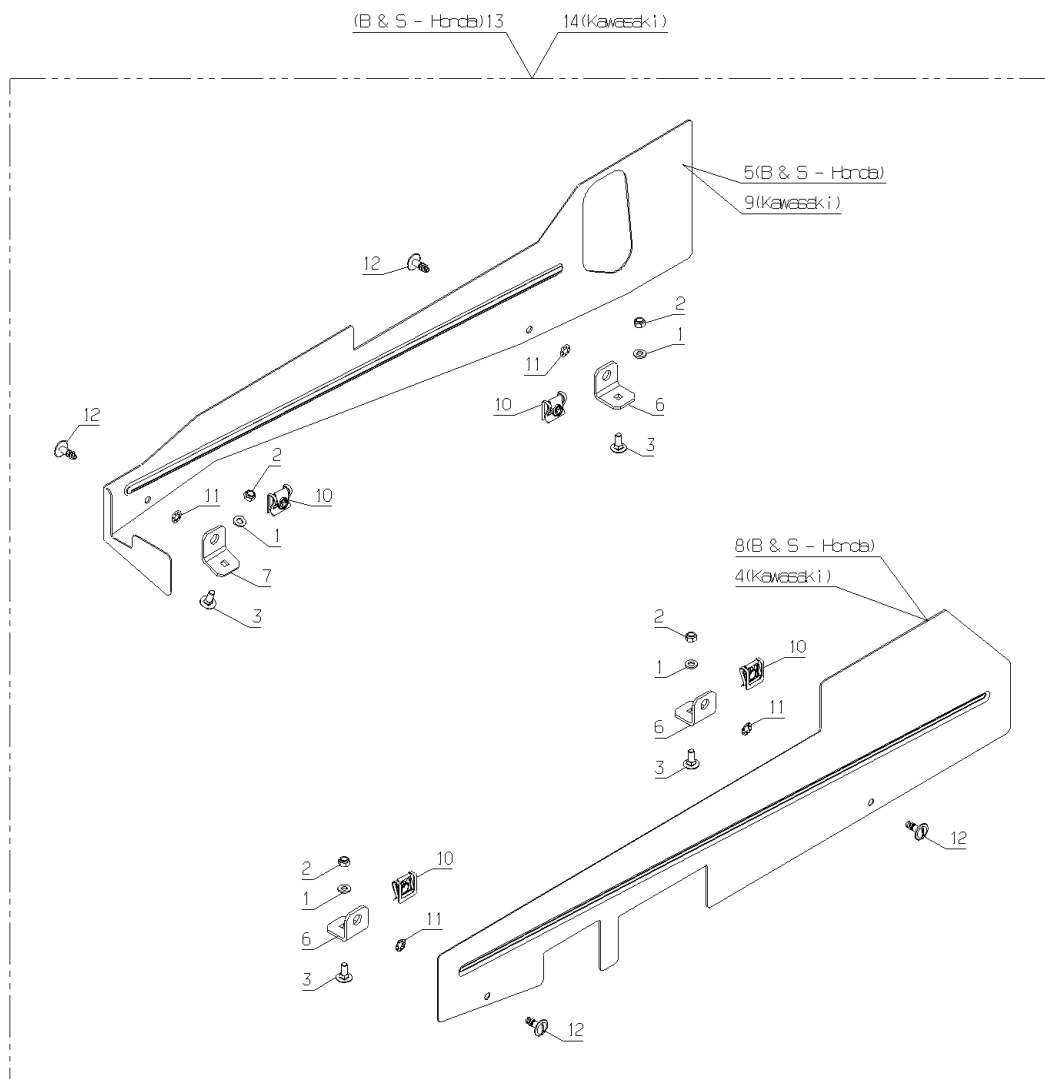
12/2011

Number	Part Number	Name	Quantity
1	28692	REAR WHEEL 16" MKHP	1,000
3	28445	REAR TYRE TREL	1,000
4	28764	RIM TRELLEBORG	1,000
5	28691	REAR RIM	1,000
6	28765	FRONT WHEEL 13"	1,000
7	28731	FRONT WHEEL 13"	1,000
8	28767	-> 28733	1,000
9	28733	FRONT TYRE	1,000
10	28766	-> 38813	1,000
11	28732	FRONT RIM	1,000
12	25616	BEARING	1,000
13	28461	TYRES LIQUID SEAL	1,000
14	35243	FRONT TYRE 16X6.5-8	1,000

102.02		
Hydro 80	TRELLEBORG	KENDA
	16x6, 50-8 1	16x6, 50-8 2
	16x6, 50-8 3	16x6, 50-8 14
	4	5
	13x5, 00-6 6	13x5, 00-6 7
	13x5, 00-6 8	13x5, 00-6 9
	6 paupes/zoll/inch 10	6 paupes/zoll/inch 11
		12
		13

Number	Part Number	Name	Quantity
1	2235	WASHER A6.4	1,000
2	71201	NUT M6	1,000
3	21608	SCREW 6X16 DIN	1,000
4	37307	LEFT PROTECTION KAW	1,000
5	37308	RIGHT PROTECTION	1,000
6	37310	LEFT PROTECT.FIXING	1,000
7	37311	PROTECTION FIXING	1,000
8	37486	LEFT PROTECTION	1,000
9	37487	RIGHT PROTECTION	1,000
10	37499	1/4 ROTATION LOCK	1,000
11	37500	1/4 ROTATION WASHER	1,000
12	37501	1/4 ROTATION SCREW	1,000
13	37550	MOB.ELEM.NORM.KIT	1,000
14	37551	MOB.ELEM.NORM.KIT.K	1,000

PL01551

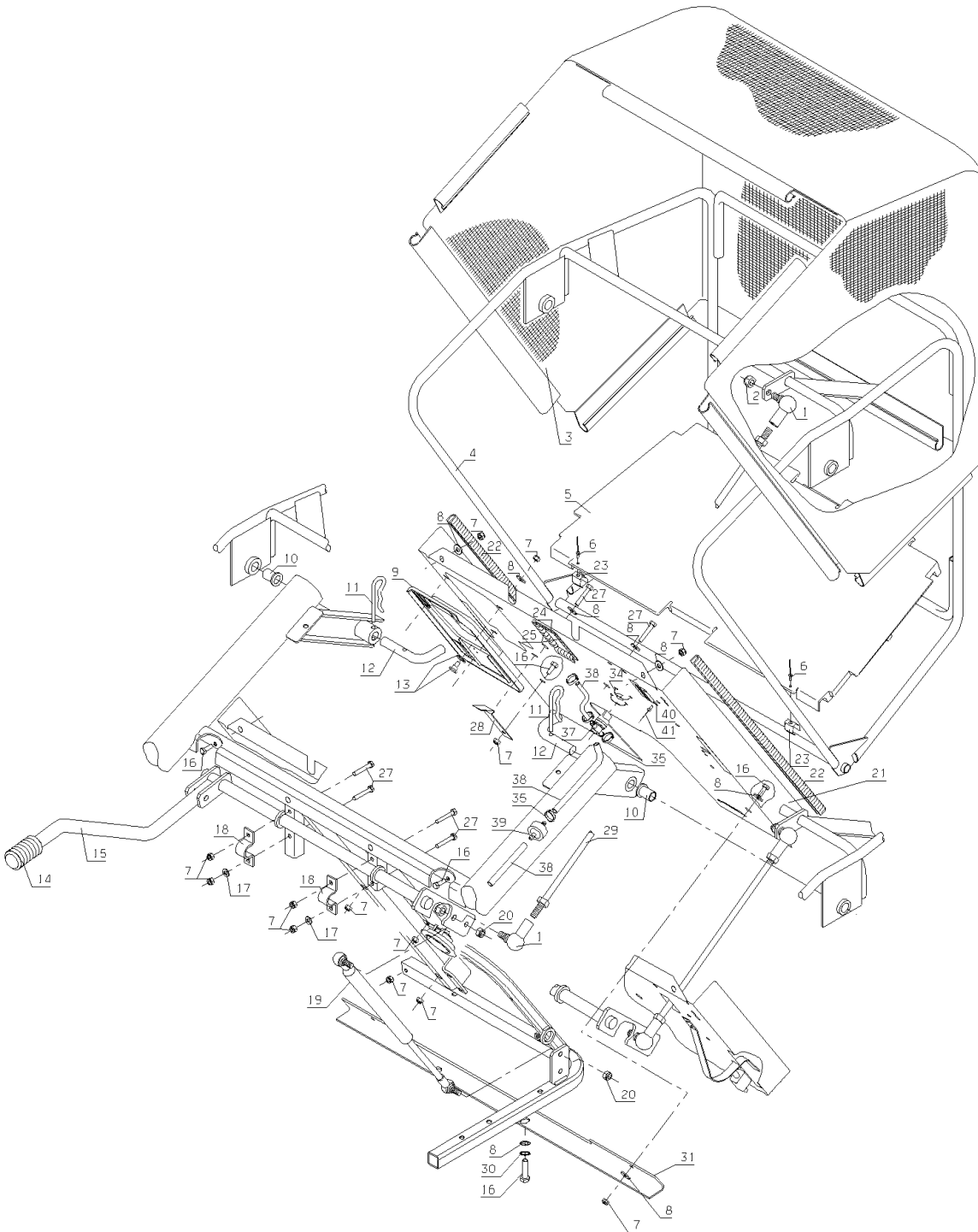


04/2010

Number	Part Number	Name	Quantity
1	28047	STEER. KNUCKLE M10	1,000
2	9017	NUT HM10	1,000
3	28087	BAG	1,000
4	28408	COLLECTOR FRAME	1,000
5	28095	COLLECTOR BOTTOM	1,000
6	71241	NAIL RIVET 4,8X10,5	1,000
7	71201	NUT M6	1,000
8	21270	WASHER 6,4	1,000
9	28568	CHANNEL GUIDE	1,000
10	28070	SLEEVE 15/17/20	1,000
11	71228	BETA PIN 4	1,000
12	28082	LINK AXLE	1,000
13	28137	CATCH BOLT SP.SCREW	1,000
14	28118	CUT.HEIGHT LEVER HA	1,000
15	28409	LEVER	1,000
16	37997	SCREW HM6-16 8.8	1,000
17	2235	WASHER A6.4	1,000
18	25711	STRAP	1,000
19	51458	GAS CYLINDER	1,000
20	71205	SCREW M8	1,000
21	28678	REAR PLATE COLLECTO	1,000
22	28254	PROTECT.COATING 690	1,000
23	25886	17/20 CUP	1,000
27	22456	SCREW HM 6X40	1,000
28	40016	LOCK	1,000
29	28168	RETURNING ROD	1,000
30	71049	SPRING WASHER,DIN 1	1,000
31	28666	REINFORC.REAR PLATE	1,000
32	37851	REAR PLATE	1,000
34	5202	RILSAN COLLAR	1,000
35	29686	RING 10-19	1,000
37	28324	FUEL STOP VALVE	1,000
38	30281	FUEL HOSE 1400 MM	1,000
39	25266	FILTER FUEL	1,000
40	28068	COLLECTOR BRUSH	1,000
41	71114	ALUMINUM NAIL RIVET	1,000

MKHP

110.02

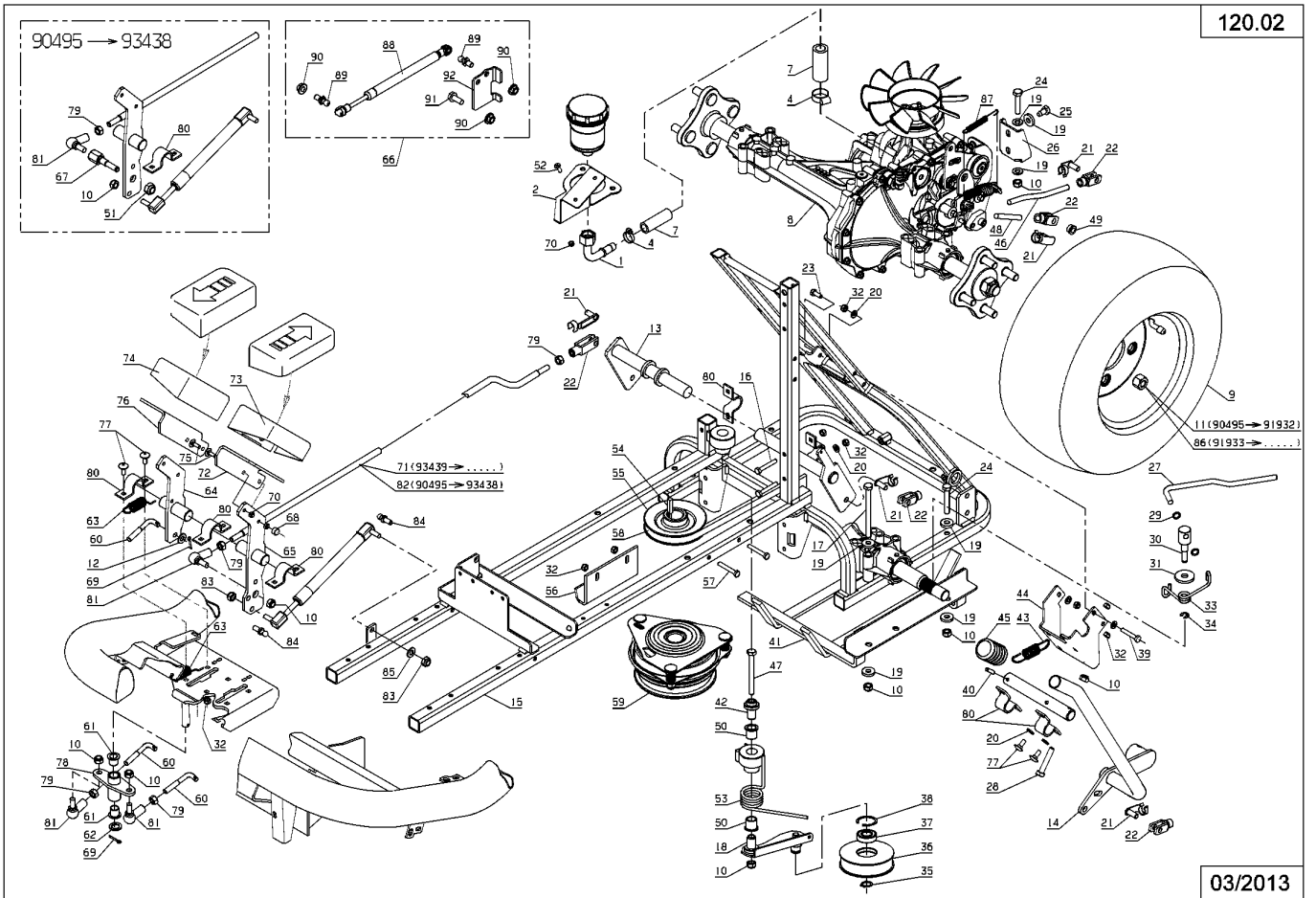


02/2005

Number	Part Number	Name	Quantity
1	37558	ADAPTER 90 °	1,000
2	28584	BRACKET	1,000
4	28655	DOUBLE COLLAR	1,000
6	38388	COMPENSAT.TANK KIT	1,000
7	28703	HOSE HG 710	1,000
8	28701	TRANSMISSION HG 710	1,000
9	28692	REAR WHEEL 16" MKHP	1,000
10	71205	SCREW M8	1,000
11	71055	NUT NFE 27458 M12X1	1,000
12	7335	WASHER	1,000
13	28668	DRIVE AXLE	1,000
14	28512	PARKING BRAKE LEVER	1,000
15	28656	FRAME 25	1,000
16	71239	HEX.SCREW HM6X45	1,000
17	71124	HEXAG.SCREW HM8X100	1,000
18	28673	TENSIONNER ARM	1,000
19	71126	FLAT WASHER,DIN 734	1,000
20	2235	WASHER A6.4	1,000
21	71169	STUD 8X32	1,000
22	71077	YOKE DIN 71751 8X32	1,000
23	37997	SCREW HM6-16 8.8	1,000
24	71223	SCREW M8X50	1,000
25	71150	SCREW TAPT M8X15 TH	1,000
26	28661	TRANSM. SUPP. HG	1,000
27	28676	BY-PASS LEVER	1,000
28	5340	HEXAGON SCREW,DIN 9	1,000
29	7377	TRUARC COLLAR DIN 7	1,000
30	28756	AXLE BY-PASS	1,000
31	9009	WASHER	1,000
32	71201	NUT M6	1,000
33	28757	BY-PASS SPRING	1,000
34	5602	ANNEAU TRUARC	1,000
35	71047	CIRCLIP DIN 471 15X	1,000
36	35141	TENSIONNER PULLEY	1,000
37	9022	BALL BEARING 6002	1,000
38	21256	CIRCLIP	1,000
39	71259	SCREW HM6X35	1,000
40	71248	SPIRAL PIN 5X26	1,000
41	38378	PROTECTION GRID	1,000
42	28736	UPPER TENSION. AXLE	1,000
43	28674	BACK SPRING HG	1,000

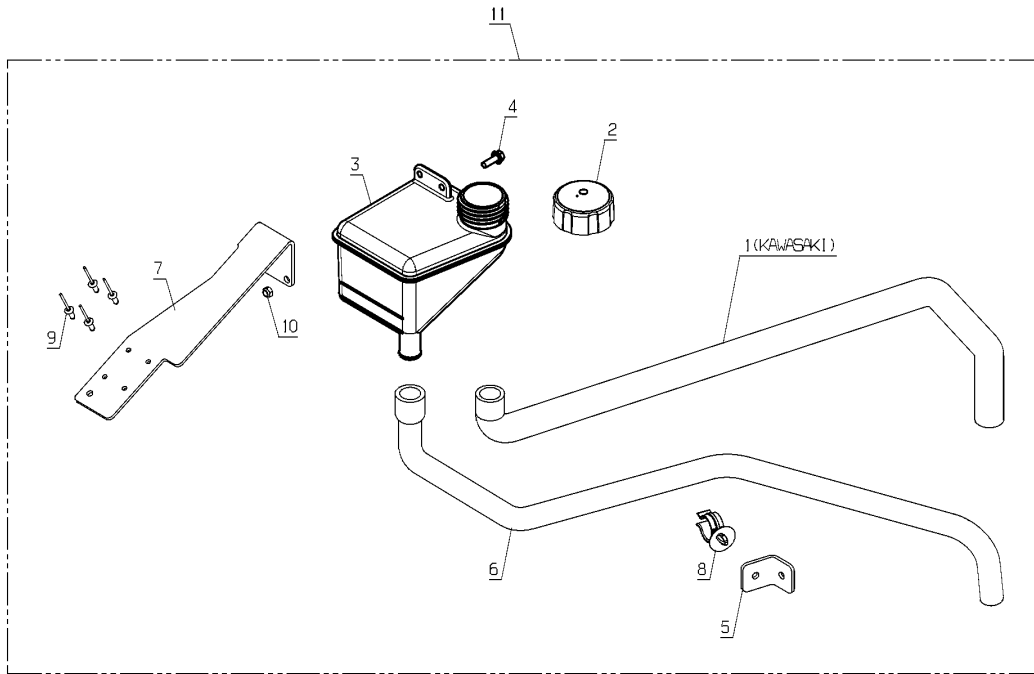
Number	Part Number	Name	Quantity
44	28665	BRAKE SUPPORT HG710	1,000
45	28100	BRAKE LEVER HANDLE	1,000
46	28667	LINKAGE FRONT	1,000
47	71067	HEXAG.SCREW HM8X75	1,000
48	27015	SHEATH LINKAGE	1,000
49	28675	SPACER	1,000
50	37059	BUSH JFM 141822-20	1,000
51	9017	NUT HM10	1,000
52	20563	SCREW M5 X 12	1,000
53	25511	UPPER BELT TIGHTENE	1,000
54	36426	KEY B6.35	1,000
55	28694	ENGINE PULLEY	1,000
56	28693	CLUTCH STOP	1,000
57	22456	SCREW HM 6X40	1,000
58	28698	BELT TRANSMISSION	1,000
59	32013	BLADE CLUTCH	1,000
60	28556	PEDAL ROD	1,000
61	28555	SLEEVE 12/14/15	1,000
62	71336	WASHER 13X20X2	1,000
63	24717	BRAKE SPRING	1,000
64	28566	FOR.PEDAL ROD ASSY	1,000
65	28564	REV.PEDAL ROD ASSY	1,000
66	50880	SHOCK ABS.KIT	1,000
67	28560	ROD PIN	1,000
68	25900	PROTECTIVE COWL	1,000
69	71018	V3,2 SPLIT PIN	1,000
70	71308	LOCK NUT M5	1,000
71	28605	ROD	1,000
72	28139	REVERSE PEDAL	1,000
73	28188	COVERING REV. PEDAL	1,000
74	28167	COVERING FORW.PEDAL	1,000
75	71231	SCREW JM5-16	1,000
76	28131	FORWARD PEDAL	1,000
77	21608	SCREW 6X16 DIN	1,000
78	28563	PLATE	1,000
79	2020	NUT HM8	1,000
80	25711	STRAP	1,000
81	28234	KNUCKLE M8	1,000
82	28672	DRIVE ROD KIT	1,000
83	28770	NUT 5/16" - 18 UNC	1,000
84	28768	SPHERICAL NIPPLE	1,000

Number	Part Number	Name	Quantity
85	71343	SPRING WASHER A8	1,000
86	71143	NUT M12X1.5	1,000
87	5203	RETURN SPRING	1,000
88	39680	SHOCK ABSORBER	1,000
89	39681	KNOB	1,000
91	71413	SCREW HM 8-20	1,000
92	50881	PLATE	1,000



Number	Part Number	Name	Quantity
1	28532	PRE FORMED HOSE	1,000
2	36382	PLUG 175	1,000
3	36569	COMPENSATION TANK	1,000
4	37996	SCREW HM5-16 8.8	1,000
5	38062	BRACKET	1,000
6	38355	HOSE	1,000
7	38390	TANK BRACKET	1,000
8	38413	CLIP	1,000
9	71114	ALUMINUM NAIL RIVET	1,000
10	37561	NUT	1,000
11	38388	COMPENSAT.TANK KIT	1,000

PL01843

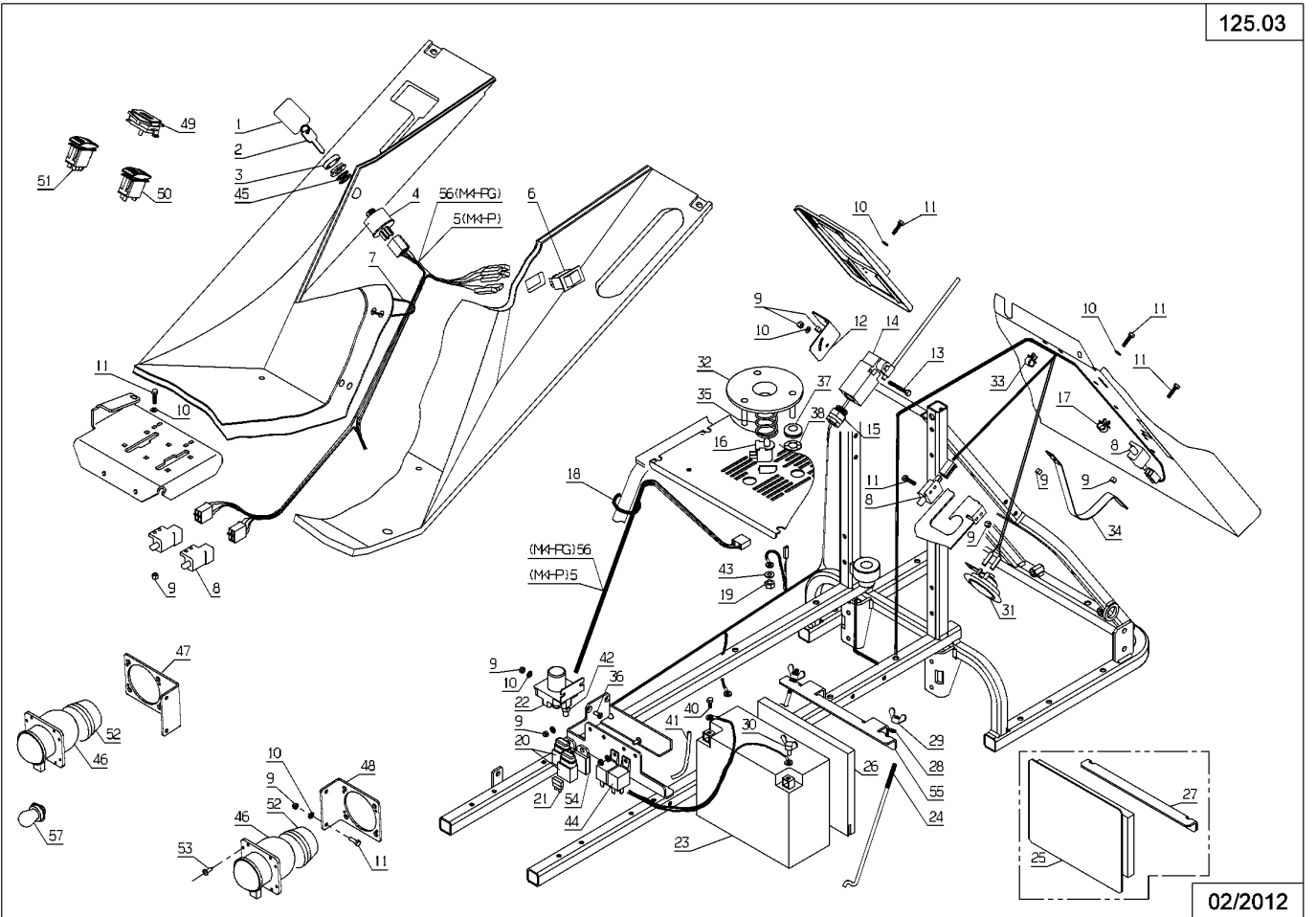


03/2013

Number	Part Number	Name	Quantity
1	28310	-> 37829	1,000
2	28388	SET OF 2 KEY	1,000
3	28382	KEY CONTACT. EMBEL.	1,000
4	28384	KEY CONTACTOR	1,000
5	28708	ELECTRICAL WIRING	1,000
6	52494	SWITCH	1,000
7	5202	RILSAN COLLAR	1,000
8	28159	SWITCH	1,000
9	37561	NUT	1,000
10	20564	WASHER 5,5	1,000
11	2009	BOLT M5X16	1,000
12	28211	BUZZER SWITCH SUPP.	1,000
13	5399	BOLT M5X40	1,000
14	28210	BUZZER SWITCH	1,000
15	29789	CONTACTOR GROMMET	1,000
16	28106	SEAT SWITCH	1,000
17	28081	CLAMP 12,8MM	1,000
18	21119	COLLAR 260 MM	1,000
19	15849	HEX NUT	1,000
20	28582	PLUG FUSE HOLDER	1,000
21	25824	FUSE 20A 12V	1,000
22	16604	RELAY STARTER KIT	1,000
23	52101	BATTERY	1,000
24	28164	BATTERY CLAMP ROD	1,000
25	28244	BATTERY PROTECTION	1,000
26	28015	BATTERY HEAT PROTEC	1,000
27	28207	BATTERY SUPPORT	1,000
28	21270	WASHER 6,4	1,000
29	1504	WING NUT	1,000
30	71236	WING SCREW M6X12	1,000
31	28209	ALARM	1,000
32	28279	SENSITIVE DISK	1,000
34	28073	COLLECTOR SWITCH PL	1,000
35	28293	SPRING	1,000
36	20563	SCREW M5 X 12	1,000
37	28292	RUBBER FUNEL DIA.14	1,000
38	7377	TRUARC COLLAR DIN 7	1,000
40	71168	LEAD SCREW 6-12	1,000
41	28329	BATTER.BREATHER 850	1,000
42	28537	NUT HU BSF 5/163	1,000
43	15848	SPRING WASHER	1,000

Number	Part Number	Name	Quantity
44	28392	WATERPROOF RELAY	1,000
45	71016	WASHER 16X22X1	1,000
46	28689	LIGHT	1,000
47	28696	RIGHT BRACKET	1,000
48	28695	LEFT BRACKET	1,000
49	51640	HOUR COUNTER	1,000
50	52497	SWITCH ON/OFF LIGHT	1,000
51	52495	SWITCH ON/OFF/ON	1,000
52	28743	REAR CAP	1,000
53	71197	SCREW CBH2.9-13ST,C	1,000
54	28594	BRACKET	1,000
55	35675	BATTERY ANGLE BRACK	1,000
56	37472	ELEC.WIRING.KAW.GAS	1,000
57	28744	BULB	1,000

125.03

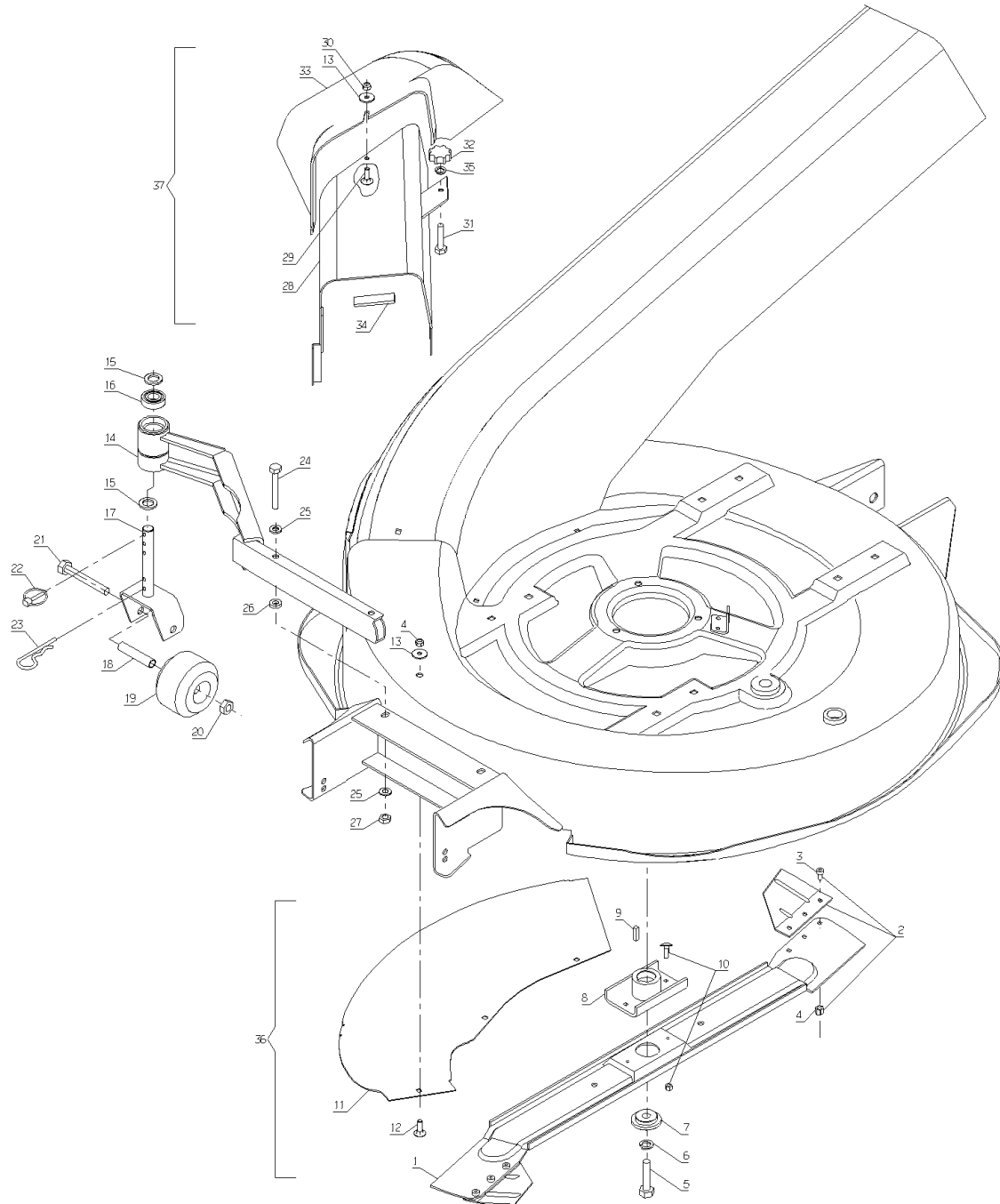


02/2012

Number	Part Number	Name	Quantity
1	MZ80M	BLADES FOR MULCHING	1,000
2	28486	MULCHING BLADE WING	1,000
3	36489	SCREW XM6-12	1,000
4	71201	NUT M6	1,000
5	71110	HEXAGON SCREW,DIN 9	1,000
6	71052	SPRING WASHER,DIN 1	1,000
7	28238	BLADE WASHER	1,000
8	28420	BLADE COUPLING	1,000
9	20602	KEY 5X5X25	1,000
10	26157	SET OF 8 SHEARBOLTS	1,000
11	28367	MULCHING INSERT	1,000
12	5496	SCREW 6X20	1,000
13	22029	FLAT WASHER 6,5	1,000
14	28747	ANTI-SCALP BRACKET	1,000
15	9166	WASHER 15X24X2	1,000
16	9022	BALL BEARING 6002	1,000
17	28437	ROLLER HOLDER	1,000
18	28333	ROLLER SPACER	1,000
19	28742	ROLLER	1,000
20	9017	NUT HM10	1,000
21	71032	KAWA SCREW H M10X75	1,000
22	71005	SAFETY PIN,DIN 1102	1,000
23	71228	BETA PIN 4	1,000
24	20513	SCREW,DIN 933 H M 8	1,000
25	7335	WASHER	1,000
26	71126	FLAT WASHER,DIN 734	1,000
27	71205	SCREW M8	1,000
28	28422	DEFLECTOR (INSIDE)	1,000
29	71231	SCREW JM5-16	1,000
30	37561	NUT	1,000
31	71023	SCREW HM 6X50	1,000
32	28160	BUTTON	1,000
33	28149	DEFLECTOR (OUTSIDE)	1,000
34	28254	PROTECT.COATING 690	1,000
35	71049	SPRING WASHER,DIN 1	1,000
37	-	-	1,000

MKHP

130.02

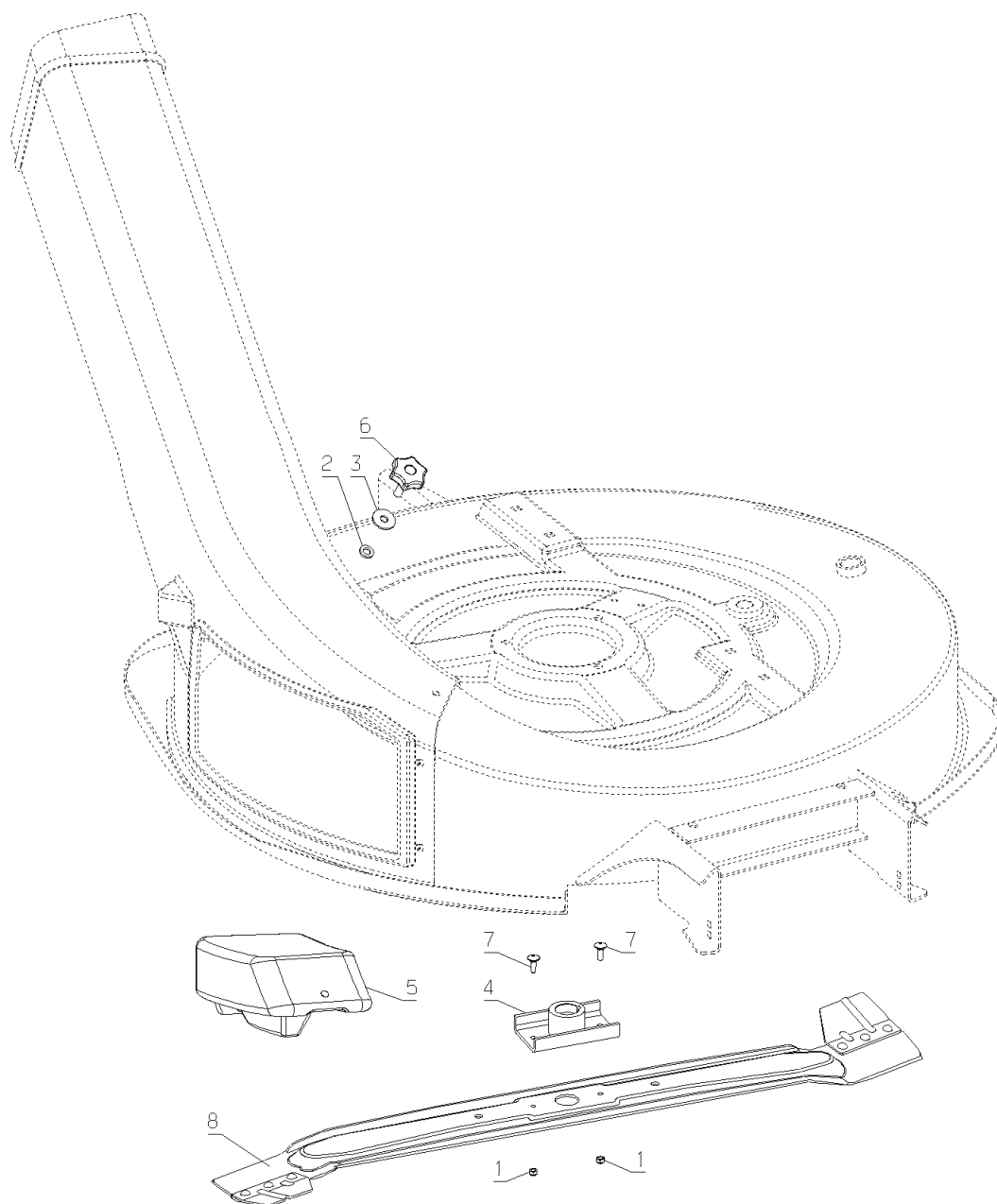


02/2005

Number	Part Number	Name	Quantity
1	37561	NUT	1,000
2	71343	SPRING WASHER A8	1,000
3	7035	FLAT WASHER	1,000
4	28420	BLADE COUPLING	1,000
5	35936	MULCHING PLUG	1,000
6	36152	BUTTOM	1,000
7	71231	SCREW JM5-16	1,000
8	MZ80M	BLADES FOR MULCHING	1,000

MU80N

PL01316

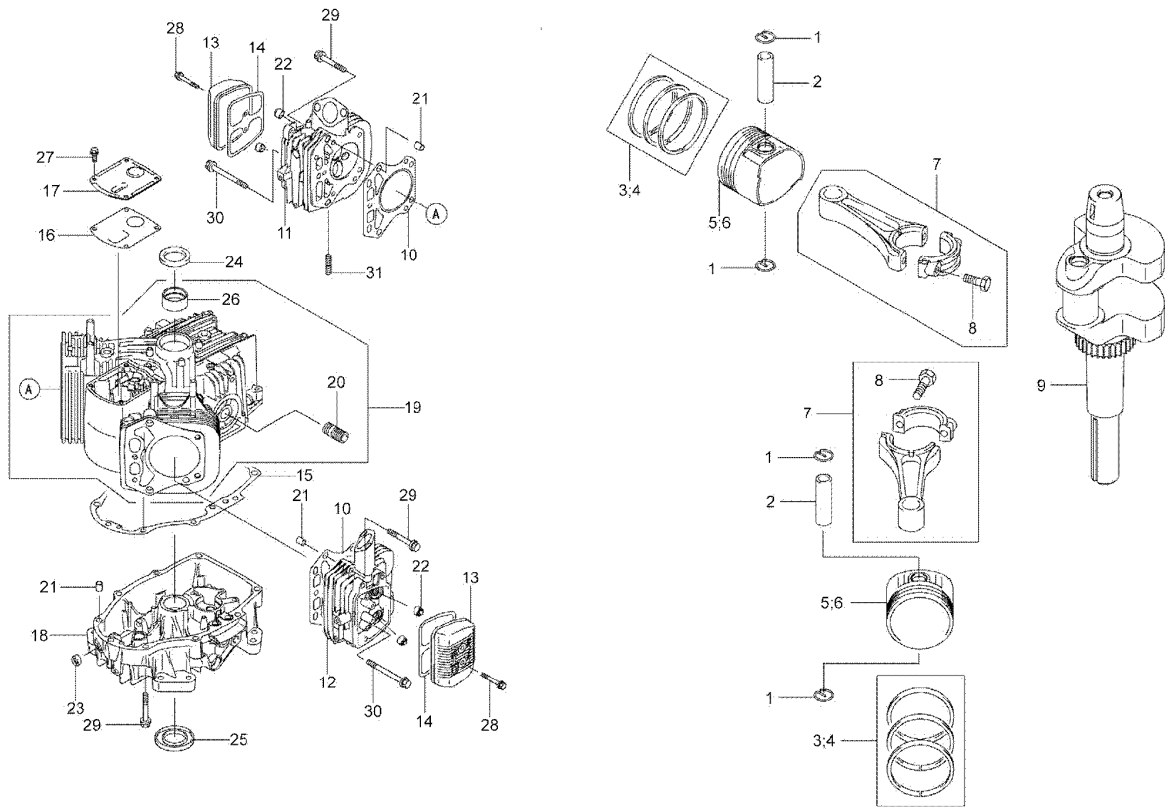


10/2007

Number	Part Number	Name	Quantity
1	18225	RING SNAP	1,000
2	18140	PISTON PIN	1,000
3	17743	RING SET	1,000
4	18141	PISTON RINGS SET0,5	1,000
5	18139	PISTON	1,000
6	18142	PISTON 0,5	1,000
7	18156	CONNEC.ROD ASSY	1,000
8	17978	SCREW	1,000
9	18143	CRANKSHAFT	1,000
10	18117	CYL.HEAD GASKET	1,000
11	18118	CYLINDER HEAD 1	1,000
12	18119	CYLINDER HEAD 2	1,000
13	18123	CYLINDER HEAD COVER	1,000
14	18125	GASKET	1,000
15	18128	GASKET	1,000
16	18129	GASKET	1,000
17	18165	CAP	1,000
18	18198	LOWER CRANKCASE	1,000
19	18207	ENGINE CRANKCASE	1,000
20	18214	GASKET	1,000
21	18226	PIN	1,000
22	18228	OIL SEAL 6X11X10,2	1,000
23	15429	GASKET 8X14X5	1,000
24	18230	OIL SEAL 35X48X8	1,000
25	18231	OIL SEAL 35X62X8	1,000
26	18238	BUSH	1,000
27	17726	SCREW	1,000
28	18147	SCREW	1,000
29	18149	SCREW	1,000
30	18150	SCREW	1,000
31	18180	STUD	1,000

MKHE - H80

471.01



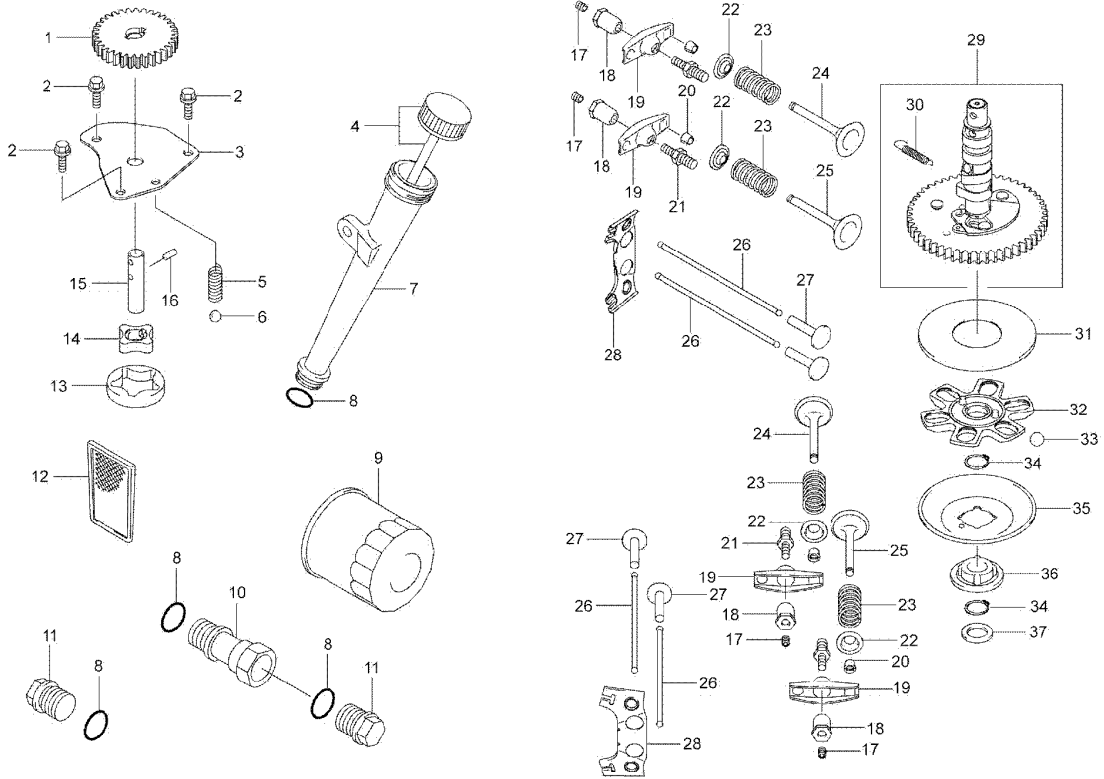
KAWASAKI
FH430V

10-2004

Number	Part Number	Name	Quantity
1	18212	GEAR	1,000
2	17726	SCREW	1,000
3	18160	PUMP COVER	1,000
4	18164	OIL GAUGE	1,000
5	18242	SPRING	1,000
6	18240	STEEL BALL	1,000
7	18217	FILLING TUBE	1,000
8	15686	O-RING	1,000
9	18088	OIL FILTER	1,000
10	18215	OIL DRAIN EXTENSION	1,000
11	18236	OIL DRAIN PLUG	1,000
12	18201	FILTER SCREEN	1,000
13	18176	PUMP BODY	1,000
14	18175	PUMP	1,000
15	18152	PUMP SHAFT	1,000
16	18227	PIN	1,000
17	17941	SCREW	1,000
18	17765	GUIDE NUT	1,000
19	18137	ROCKER ARM	1,000
20	18136	PELLET	1,000
21	18252	STUD	1,000
22	18135	WASHER	1,000
23	17762	VALVE SPRING	1,000
24	18133	INTAKE VALVE	1,000
25	18134	EXHAUST VALVE	1,000
26	18155	PUSH ROD	1,000
27	18138	LIFTER ARM	1,000
28	18144	GUIDE	1,000
29	18206	CAMSHAFT	1,000
30	18241	SPRING	1,000
31	18159	PLATE	1,000
32	18145	GUIDE	1,000
33	18239	STEEL BALL	1,000
34	18224	SNAP RING	1,000
35	18162	PLATE GOVERNOR	1,000
36	18197	SLEEVE	1,000
37	18259	WASHER	1,000

MKHE - H80

473.01



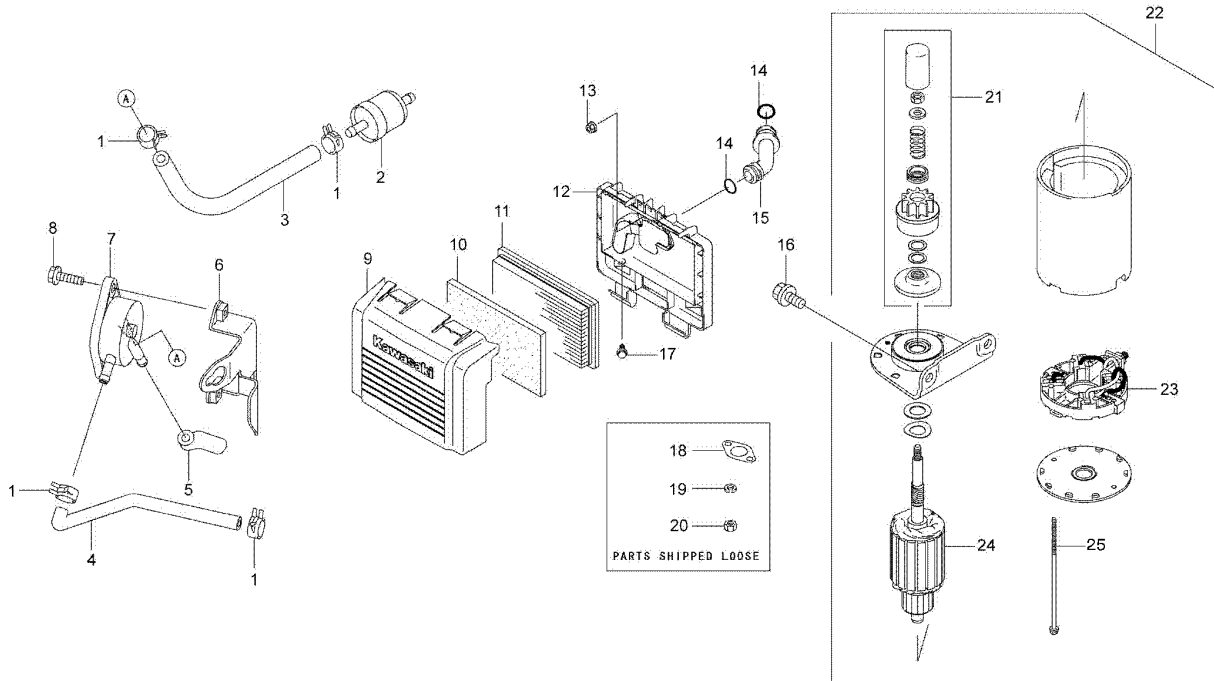
KAWASAKI
FH430V

10-2004

Number	Part Number	Name	Quantity
1	18253	CLAMP	1,000
2	18199	FILTER	1,000
3	18257	HOSE	1,000
4	18258	HOSE	1,000
5	18256	HOSE	1,000
6	18190	PUMP BARCKET	1,000
7	18200	PUMP	1,000
8	15276	SCREW 6X20	1,000
9	18120	AIR FILTER COVER	1,000
10	18121	PREFILTER	1,000
11	18122	CARTRIDGE	1,000
12	18124	FILTER BODY	1,000
13	18222	NUT	1,000
14	18218	O-RING	1,000
15	18194	PIPE BREATHER	1,000
16	18148	SCREW	1,000
17	18249	SCREW	1,000
18	18126	EXHAUST GASKET	1,000
19	15848	SPRING WASHER	1,000
20	15849	HEX NUT	1,000
21	18151	GEAR ASSY	1,000
22	18184	STARTER	1,000
23	18181	CARBON BRUSH	1,000
24	18183	ROTOR	1,000
25	18360	STARTER SCREW	1,000

KAWASAKI
FH430V

475.01



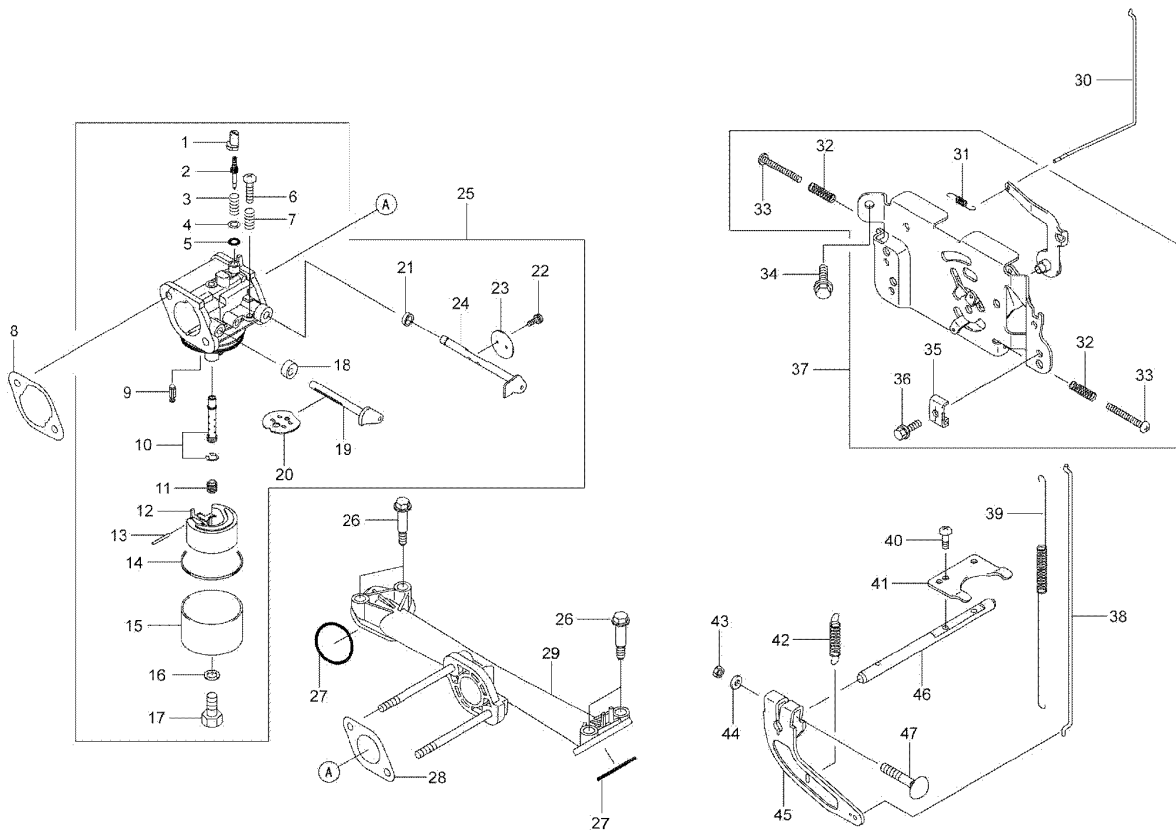
09/2008

Number	Part Number	Name	Quantity
1	18195	RING	1,000
2	18168	MIXTURE CONT.SCREW	1,000
3	18246	SPRING	1,000
4	18261	WASHER	1,000
5	18232	O-RING	1,000
6	18220	SCREW	1,000
7	18006	SPRING	1,000
8	18132	GASKET	1,000
9	18171	VALVE FLOAT	1,000
10	18208	CHOKE TUBE	1,000
11	18234	MAIN JET	1,000
12	18172	FLOAT	1,000
13	18154	FLOAT AXLE	1,000
14	18130	GASKET	1,000
15	18169	FLOAT CHAMBER	1,000
16	18131	GASKET	1,000
17	18255	SCREW	1,000
18	18237	GASKET	1,000
19	18173	CHOKE THROTTLE SHAF	1,000
20	18179	THROTTLE	1,000
21	18001	DICHTUNG	1,000
22	18219	SCREW	1,000
23	18170	GASKLAPPE	1,000
24	18174	ACC.THROTTLE SHAFT	1,000
25	18167	CARBURATOR CPLT	1,000
26	18251	SCREW	1,000
27	18233	O-RING	1,000
28	18127	GASKET	1,000
29	18216	MANIFOLD INTAKE	1,000
30	18177	CHOKE ROD	1,000
31	18244	SPRING	1,000
32	18245	SPRING	1,000
33	18221	SCREW	1,000
34	17726	SCREW	1,000
35	18254	GUARD	1,000
36	15753	SCREW	1,000
37	18205	CONTROL PLATE ASSY	1,000
38	18178	REGULATOR ROD	1,000
39	18243	SPRING	1,000
40	18188	SCREW	1,000
41	18285	PLAQUE	1,000

Number	Part Number	Name	Quantity
42	18196	SPRING	1,000
43	18193	NUT	1,000
44	15340	FLAT WASHER	1,000
45	18204	REGULATOR LEVER	1,000
46	18153	SHAFT	1,000
47	18248	SCREW	1,000

MKHE - H80

477.01



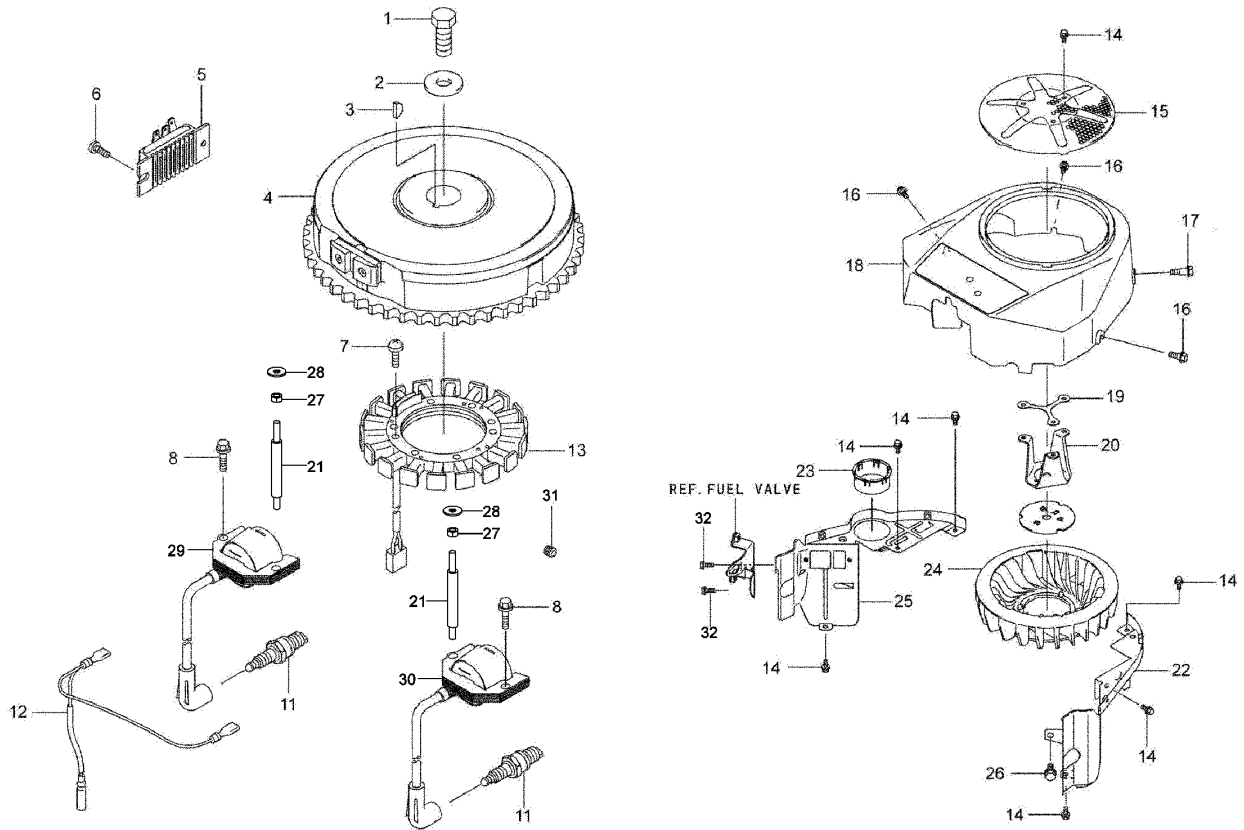
KAWASAKI
FH430V

10-2004

Number	Part Number	Name	Quantity
1	18247	SCREW	1,000
2	18260	WASHER	1,000
3	18209	KEY	1,000
4	18187	IGNITION WHEEL	1,000
5	18182	VOLTAGE REGULATOR	1,000
6	15604	SCREW	1,000
7	18189	SCREW	1,000
8	15276	SCREW 6X20	1,000
9	18264	COIL	1,000
10	18265	COIL	1,000
11	18116	SPARK PLUG	1,000
12	18192	WIRE HARNESS	1,000
13	18210	GENERATOR	1,000
14	17726	SCREW	1,000
15	18163	SCREEN	1,000
16	18249	SCREW	1,000
17	18250	SCREW	1,000
18	18213	ENGINE COVER	1,000
19	18223	SPACER	1,000
20	18191	BRACKET	1,000
21	18263	STUD	1,000
22	18202	SIDE COVER 2	1,000
23	18166	COVER	1,000
24	18211	COOLING FAN	1,000
25	18203	SIDE COVER 1	1,000
26	18148	SCREW	1,000
27	1557	NUT HM6	1,000
28	21270	WASHER 6,4	1,000
31	15471	PLUG	1,000
32	15840	SCREW	1,000

KAWASAKI
FH430V

479.01



11/2011