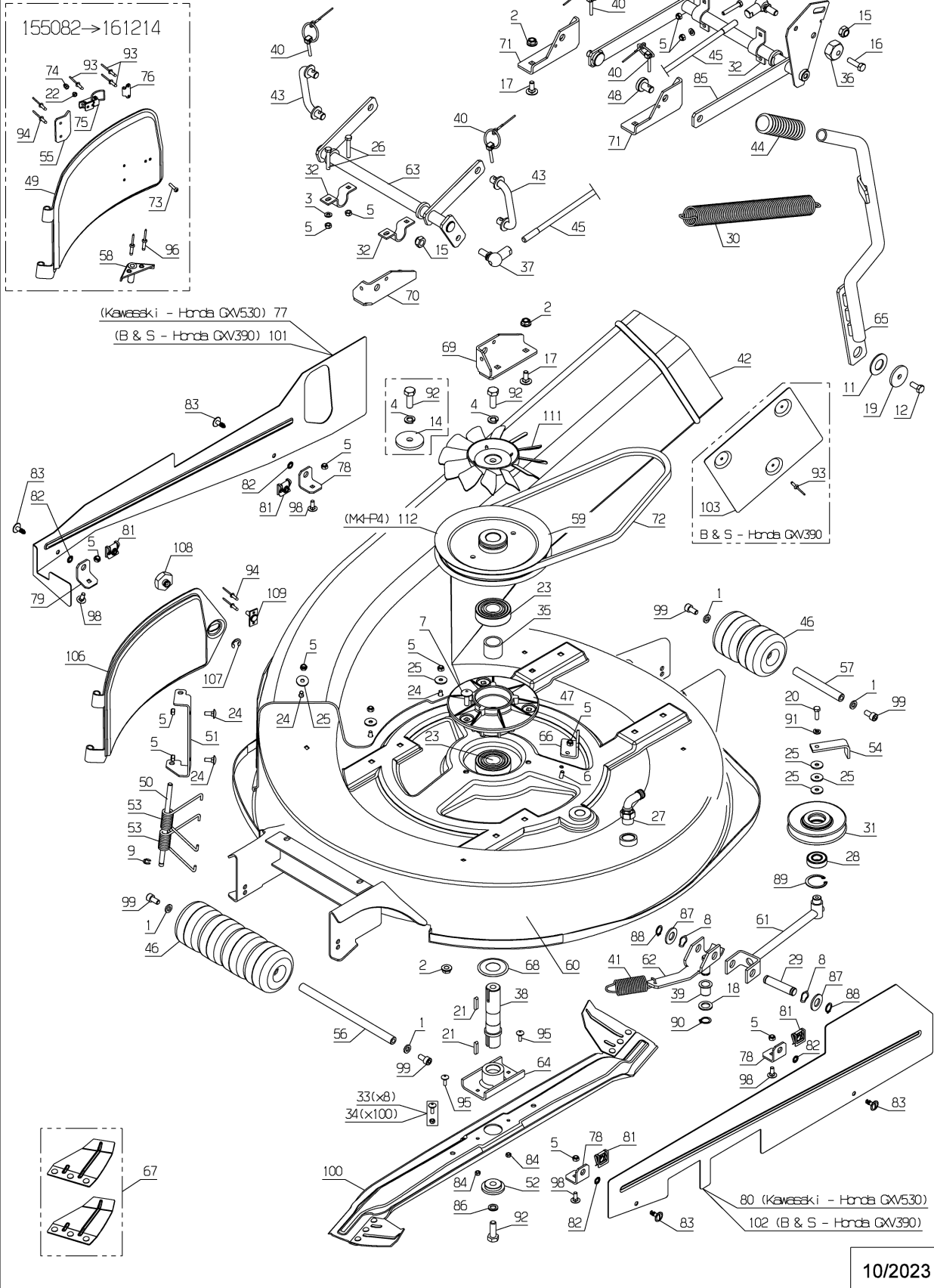


Number	Part Number	Name	Quantity
1	71343	SPRING WASHER A8	1,000
2	71205	SCREW M8	1,000
3	2235	WASHER A6.4	1,000
4	71052	SPRING WASHER,DIN 1	1,000
5	71201	NUT M6	1,000
6	37997	SCREW HM6-16 8.8	1,000
7	5347	SCREW 8X25	1,000
8	5411	WASHER	1,000
9	5602	ANNEAU TRUARC	1,000
11	7330	WASHER	1,000
12	71413	SCREW HM 8-20	1,000
14	7341	FLAT WASHER 10,3X49	1,000
15	9017	NUT HM10	1,000
16	9061	BOLT 8X30	1,000
17	9071	SCREW M8X20	1,000
18	9166	WASHER 15X24X2	1,000
19	20021	WASHER 8,5X40X4	1,000
20	20507	BOLT HM 6X20	1,000
21	20602	KEY 5X5X25	1,000
22	21525	NUT HM4	1,000
23	21553	BEARING 6305-2RS	1,000
24	21608	SCREW 6X16 DIN	1,000
25	22029	FLAT WASHER 6,5	1,000
26	22456	SCREW HM 6X40	1,000
27	53091	CORNER WATER PLUG	1,000
28	25112	BALL BEARING,6202 S	1,000
29	25126	BELT TIGHTENER ARM	1,000
30	25425	COMPENSATION SPRING	1,000
31	25509	TENSIONING PULLEY	1,000
32	25711	STRAP	1,000
33	26157	SET OF 8 SHEARBOLTS	1,000
34	26357	100 SHEAR BOLTS	1,000
35	28020	BLADE BEARING SPACR	1,000
36	28040	CUTTING HEIGHT STOP	1,000
37	28047	STEER. KNUCKLE M10	1,000
38	28062	BLADE SHAFT	1,000
39	28070	SLEEVE 15/17/20	1,000
40	28075	SAFETY PIN & CHAIN	1,000
41	28076	TENSION SPRING	1,000
42	39469	EJECTION CHANNEL	1,000
43	28113	INTERMEDIATE ROD	1,000

Number	Part Number	Name	Quantity
44	28118	CUT.HEIGHT LEVER HA	1,000
45	28119	ROD	1,000
46	28123	ROLLER	1,000
47	28171	BLADE BEARING	1,000
48	28208	SHAFT	1,000
49	28230	OBSERVATION FLAP	1,000
50	28231	FLAP SHAFT	1,000
51	28233	OBSERVAT.FLAP SUPP.	1,000
52	28238	BLADE WASHER	1,000
53	28245	FLAP SPRING	1,000
54	28284	BELT GUIDE	1,000
55	28288	FLAP HANDLE	1,000
56	28315	FR.ROLLER SHAFT 96	1,000
57	28316	REAR ROLLER SHAFT96	1,000
58	28386	DEFLECTOR GUIDE	1,000
59	28391	PULLEY D.190/D.206	1,000
60	28405	CUTTING DECK NAKED	1,000
61	50870	TENSIONNER ARM	1,000
62	28411	BELT TIGH.YOKE	1,000
63	28419	CUTT.HEIGHT FR.ARM	1,000
64	28420	BLADE COUPLING	1,000
65	28429	CUTT. HEIGHT LEVER	1,000
66	28448	STOP	1,000
67	28489	BLADE WING KIT	1,000
68	28530	PROTECTION WASHER	1,000
69	28720	FRONT LEFT BRACKET	1,000
70	28721	FRONT RIGHT BRACKET	1,000
71	28722	REAR BRACKET	1,000
72	28729	BELT 1207 MM	1,000
73	37072	SCREW HC M4-20 10.9	1,000
74	37073	NUT	1,000
75	37074	CLAMP	1,000
76	37085	CLAMP HOOK	1,000
77	37487	RIGHT PROTECTION	1,000
78	37310	LEFT PROTECT.FIXING	1,000
79	37311	PROTECTION FIXING	1,000
80	37307	LEFT PROTECTION KAW	1,000
81	37499	1/4 ROTATION LOCK	1,000
82	37500	1/4 ROTATION WASHER	1,000
83	37501	1/4 ROTATION SCREW	1,000
84	37561	NUT	1,000

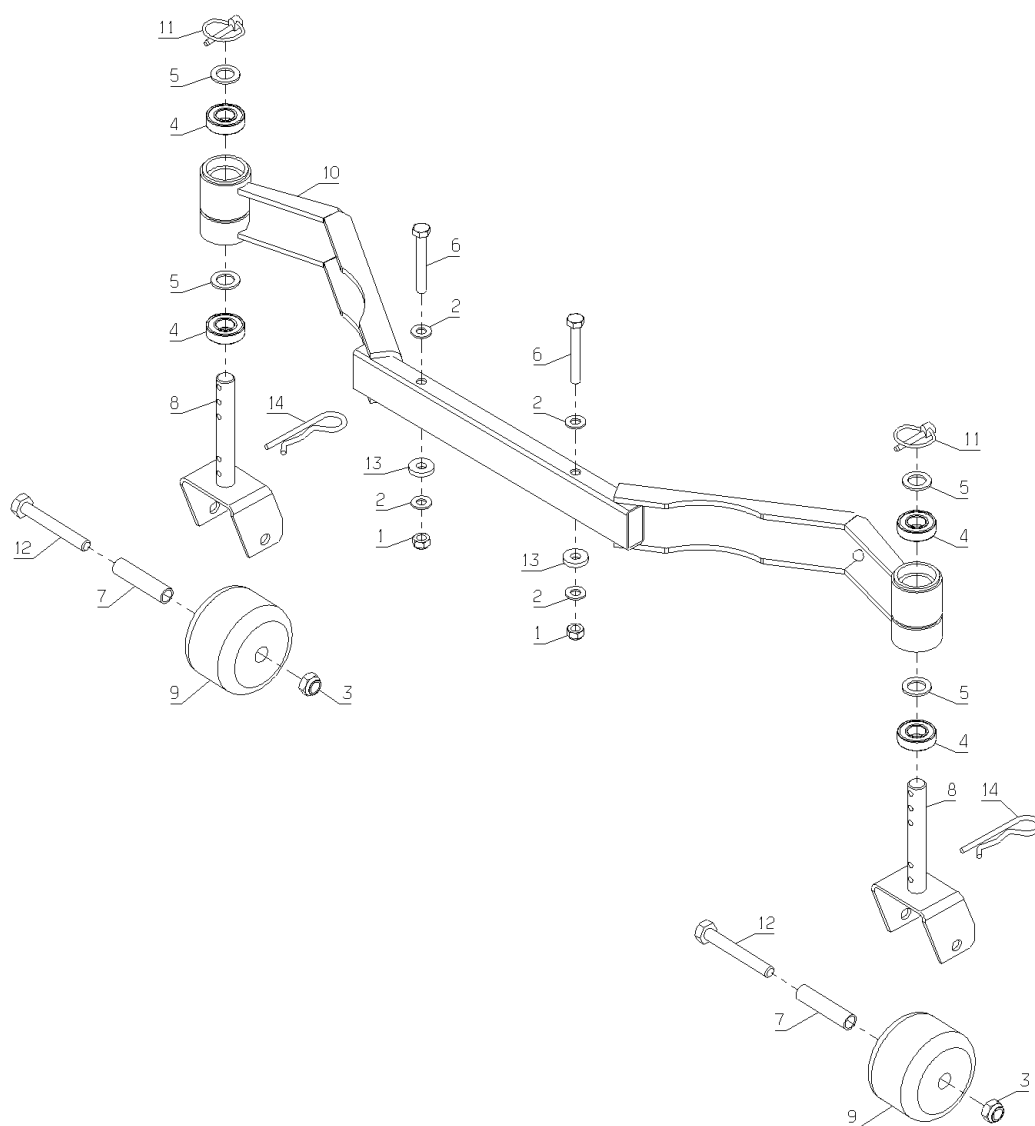
Number	Part Number	Name	Quantity
85	37618	REAR ARM	1,000
86	37665	WASHER	1,000
87	71034	FLAT WASHER NFE 276	1,000
88	71036	DIN 471 14X1 EXT. C	1,000
89	71039	CIRCLIP,DIN 427 35X	1,000
90	71047	CIRCLIP DIN 471 15X	1,000
91	71049	SPRING WASHER,DIN 1	1,000
92	71110	HEXAGON SCREW,DIN 9	1,000
93	71113	NAIL RIVET, DIA. 4X	1,000
94	71114	ALUMINUM NAIL RIVET	1,000
95	71231	SCREW JM5-16	1,000
96	71327	NAIL RIVET 4X21	1,000
98	71361	SCREW RL X M6X16	1,000
99	71372	IN.HEX.SCREW M8X16	1,000
100	MZ80	BLADE FOR 80 CM	1,000
101	37308	RIGHT PROTECTION	1,000
102	37486	LEFT PROTECTION	1,000
103	28504	PROTECTION GUARD	1,000
106	50619	OBSERVATION FLAP	1,000
107	1559	RING TRUARC 10	1,000
108	50634	CLOSE BUTTOM	1,000
109	50672	OBSERVAT.FLAP FIX.	1,000
111	51548	COOLING FAN	1,000

PL01503



Number	Part Number	Name	Quantity
1	71205	SCREW M8	1,000
2	7335	WASHER	1,000
3	9017	NUT HM10	1,000
4	9022	BALL BEARING 6002	1,000
5	9166	WASHER 15X24X2	1,000
6	20513	SCREW,DIN 933 H M 8	1,000
7	28333	ROLLER SPACER	1,000
8	28437	ROLLER HOLDER	1,000
9	28742	ROLLER	1,000
10	28747	ANTI-SCALP BRACKET	1,000
11	71005	SAFETY PIN,DIN 1102	1,000
12	71032	KAWA SCREW H M10X75	1,000
13	71126	FLAT WASHER,DIN 734	1,000
14	71228	BETA PIN 4	1,000

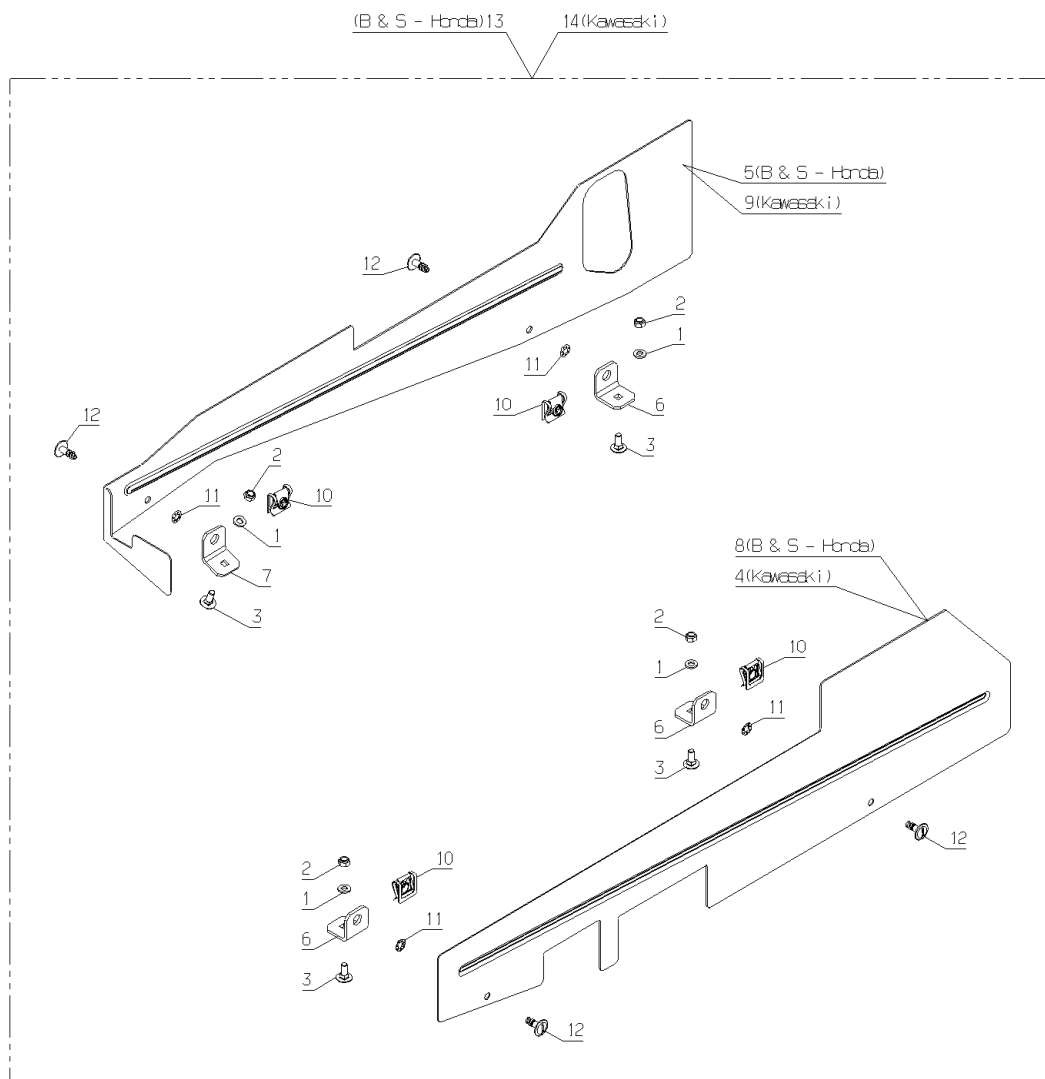
PL01542



02/2010

Number	Part Number	Name	Quantity
1	2235	WASHER A6.4	1,000
2	71201	NUT M6	1,000
3	21608	SCREW 6X16 DIN	1,000
4	37307	LEFT PROTECTION KAW	1,000
5	37308	RIGHT PROTECTION	1,000
6	37310	LEFT PROTECT.FIXING	1,000
7	37311	PROTECTION FIXING	1,000
8	37486	LEFT PROTECTION	1,000
9	37487	RIGHT PROTECTION	1,000
10	37499	1/4 ROTATION LOCK	1,000
11	37500	1/4 ROTATION WASHER	1,000
12	37501	1/4 ROTATION SCREW	1,000
13	37550	MOB.ELEM.NORM.KIT	1,000
14	37551	MOB.ELEM.NORM.KIT.K	1,000

PL01551

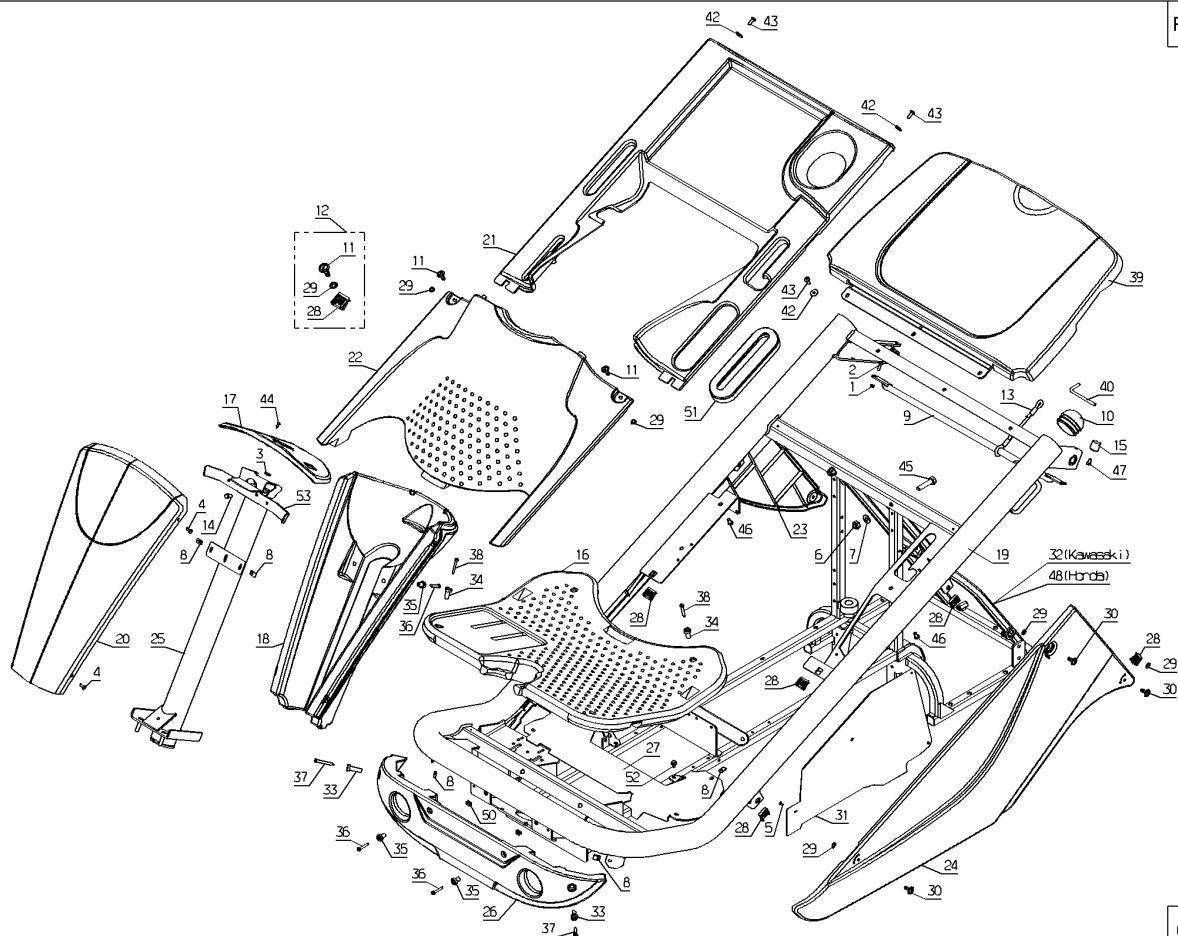


04/2010

Number	Part Number	Name	Quantity
1	37561	NUT	1,000
2	2009	BOLT M5X16	1,000
3	6178	CLIP NUT	1,000
4	71111	TAPPING SCREW,DIN 7	1,000
5	71048	BOLT EJ.PT KA40X10	1,000
6	9017	NUT HM10	1,000
7	21036	FLAT WASHER 10.5	1,000
8	21436	CLIPS NUT	1,000
9	28052	CROSSPIECE	1,000
10	28056	TUBE CAP 60	1,000
11	39230	LOCK 1/4 ROTATION	1,000
12	39231	1/4 ROT.KIT LG18	1,000
13	28239	COVER BAND	1,000
14	37997	SCREW HM6-16 8.8	1,000
15	29783	RUBBER STOP	1,000
16	36716	FLOOR	1,000
17	52503	DASHBOARD	1,000
18	36719	CONSOLE	1,000
19	36721	FRAME DIA.60 GREEN	1,000
20	36722	REAR CONSOLE WHITE	1,000
21	36723	REAR COVER WHITE	1,000
22	36724	FRONT COVER WHITE	1,000
23	36473	R.SIDE COVER BLACK	1,000
24	36474	L.SIDE COVER BLACK	1,000
25	36926	STEERING CONSOLE	1,000
26	36714	STEERINGCOVER BLACK	1,000
27	37339	BRACKET	1,000
28	37499	1/4 ROTATION LOCK	1,000
29	37500	1/4 ROTATION WASHER	1,000
30	37501	1/4 ROTATION SCREW	1,000
31	37536	MUFFLER PROTECTION	1,000
32	37715	FRAME	1,000
33	37796	BUSH LG 29.7	1,000
34	37797	BUSH LG 20	1,000
35	37798	BUSH LG 13	1,000
36	37836	SCREW ST4.8-32,C	1,000
37	37837	SCREW ST4.8-45,C	1,000
38	37901	SCREW ST4.8-38,C	1,000
39	38044	GRASSBOX COVER WHIT	1,000
40	38071	ROD	1,000
42	71096	WASHER B6,4	1,000

Number	Part Number	Name	Quantity
45	71198	HEX.SCREW HM10X45	1,000
46	71277	SCREW 60X12	1,000
47	71355	HEX.SCREW M6X10	1,000
48	38630	FRAME	1,000
50	71459	NUT	1,000
51	28242	COVER CUTTING HEIGH	1,000
52	38408	SCREW HM6-16 8,8	1,000
53	38422	REINFORCING PLATE	1,000

PL01546



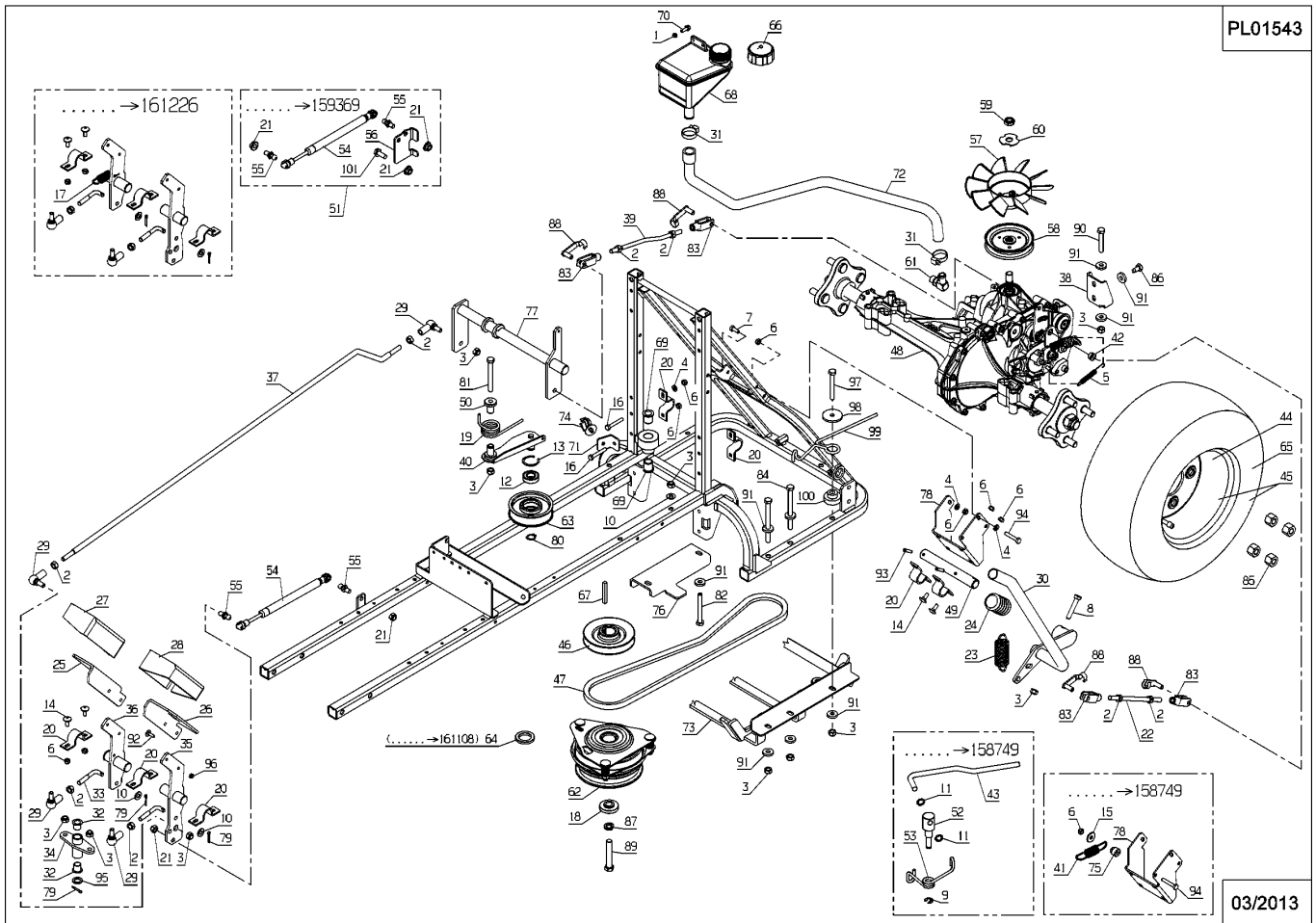
06/2011

Number	Part Number	Name	Quantity
1	37561	NUT	1,000
2	2020	NUT HM8	1,000
3	71205	SCREW M8	1,000
4	2235	WASHER A6.4	1,000
5	5203	RETURN SPRING	1,000
6	71201	NUT M6	1,000
7	37997	SCREW HM6-16 8.8	1,000
8	5340	HEXAGON SCREW,DIN 9	1,000
9	5602	ANNEAU TRUARC	1,000
10	7335	WASHER	1,000
11	7377	TRUARC COLLAR DIN 7	1,000
12	9022	BALL BEARING 6002	1,000
13	21256	CIRCLIP	1,000
14	21608	SCREW 6X16 DIN	1,000
15	22029	FLAT WASHER 6,5	1,000
16	22456	SCREW HM 6X40	1,000
17	24717	BRAKE SPRING	1,000
18	25288	ENG. WASHER	1,000
19	25511	UPPER BELT TIGHTENE	1,000
20	25711	STRAP	1,000
22	27015	SHEATH LINKAGE	1,000
23	28076	TENSION SPRING	1,000
24	28100	BRAKE LEVER HANDLE	1,000
25	28131	FORWARD PEDAL	1,000
26	28139	REVERSE PEDAL	1,000
27	28167	COVERING FORW.PEDAL	1,000
28	28188	COVERING REV. PEDAL	1,000
29	28234	KNUCKLE M8	1,000
30	28512	PARKING BRAKE LEVER	1,000
31	28534	COLLAR 16-27	1,000
32	28555	SLEEVE 12/14/15	1,000
33	28556	PEDAL ROD	1,000
34	28563	PLATE	1,000
35	28564	REV.PEDAL ROD ASSY	1,000
36	28566	FOR.PEDAL ROD ASSY	1,000
37	28605	ROD	1,000
38	28661	TRANSM. SUPP. HG	1,000
39	28667	LINKAGE FRONT	1,000
40	28673	TENSIONNER ARM	1,000
41	28674	BACK SPRING HG	1,000
42	28675	SPACER	1,000

Number	Part Number	Name	Quantity
43	28676	BY-PASS LEVER	1,000
44	28691	REAR RIM	1,000
45	28692	REAR WHEEL 16" MKHP	1,000
46	28694	ENGINE PULLEY	1,000
47	28698	BELT TRANSMISSION	1,000
48	28701	TRANSMISSION HG 710	1,000
49	28707	PARK BRAKE TUBE	1,000
50	28736	UPPER TENSION. AXLE	1,000
51	50880	SHOCK ABS.KIT	1,000
52	28756	AXLE BY-PASS	1,000
53	28757	BY-PASS SPRING	1,000
54	39680	SHOCK ABSORBER	1,000
55	39681	KNOB	1,000
56	50881	PLATE	1,000
57	28783	FAN	1,000
58	28784	PULLEY	1,000
59	28785	NUT 1/2-20	1,000
60	28786	WASHER	1,000
61	28790	PIPETTE 9/16-90°	1,000
62	32013	BLADE CLUTCH	1,000
63	35141	TENSIONNER PULLEY	1,000
64	35216	WASHER 36X25,2X5	1,000
65	35243	FRONT TYRE 16X6.5-8	1,000
66	36382	PLUG 175	1,000
67	36426	KEY B6.35	1,000
68	36569	COMPENSATION TANK	1,000
69	37059	BUSH JFM 141822-20	1,000
70	37996	SCREW HM5-16 8.8	1,000
71	38062	BRACKET	1,000
72	38355	HOSE	1,000
73	38378	PROTECTION GRID	1,000
74	38413	CLIP	1,000
75	38436	SPACER	1,000
76	38586	STOP	1,000
77	38596	AXLE	1,000
78	38598	BRACKET	1,000
79	71018	V3,2 SPLIT PIN	1,000
80	71047	CIRCLIP DIN 471 15X	1,000
81	71067	HEXAG.SCREW HM8X75	1,000
82	71068	HEXAGON SCREW,DIN 9	1,000
83	71077	YOKE DIN 71751 8X32	1,000

Number	Part Number	Name	Quantity
84	71124	HEXAG.SCREW HM8X100	1,000
85	71143	NUT M12X1.5	1,000
86	71150	SCREW TAPT M8X15 TH	1,000
87	71159	WASHER 7/16"	1,000
88	71169	STUD 8X32	1,000
89	71208	SCREW H7/16"20	1,000
90	71223	SCREW M8X50	1,000
91	71126	FLAT WASHER,DIN 734	1,000
92	71231	SCREW JM5-16	1,000
93	71248	SPIRAL PIN 5X26	1,000
94	71259	SCREW HM6X35	1,000
95	71336	WASHER 13X20X2	1,000
96	71308	LOCK NUT M5	1,000
97	20633	HEX.SCREW 8X65	1,000
98	20021	WASHER 8,5X40X4	1,000
99	38613	BY PASS LEVER	1,000
100	39868	SPACER	1,000
101	71413	SCREW HM 8-20	1,000

PL01543



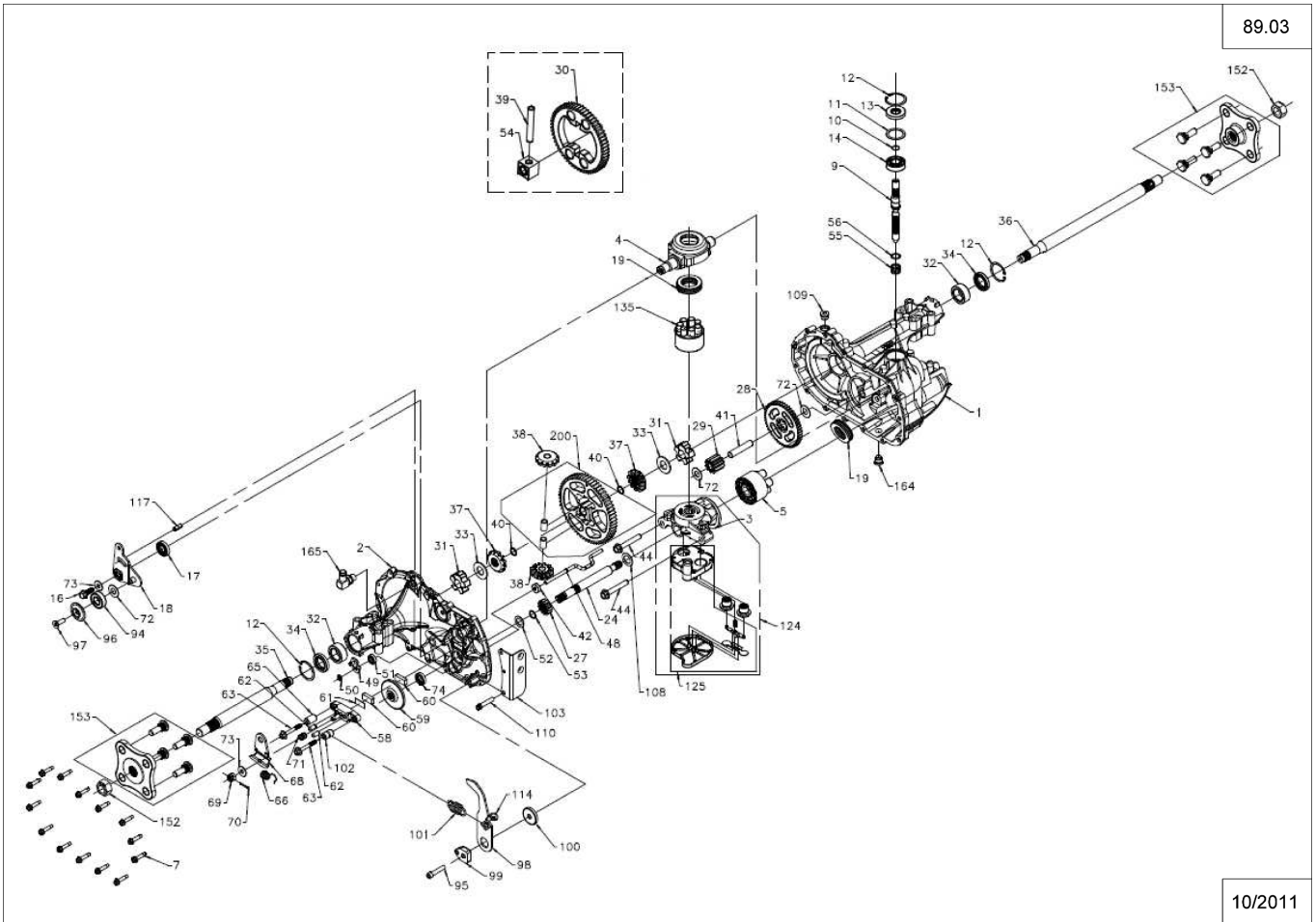
03/2013

Number	Part Number	Name	Quantity
1	28797	MAIN CASING	1,000
2	28798	SIDE CASING	1,000
3	28799	PUMP CASING	1,000
4	28800	OSCILLATING PLATE	1,000
5	28801	PISTON PUMP	1,000
7	28802	SCREW 1/4-20X1,25	1,000
9	28772	IMPUT SHAFT	1,000
10	28803	RING	1,000
11	28773	SPACER	1,000
12	28774	CIRCLIP	1,000
13	28775	IMPUT SHAFT SEAL	1,000
14	28776	BEARING	1,000
16	28805	SCREW 5/16-24X0,94	1,000
17	28806	LIP SEAL 18X32X7	1,000
18	28807	LEVER	1,000
19	28808	OSCILL.PLATE STOP	1,000
23	28809	PLUG	1,000
24	28810	SHAFT	1,000
27	28811	PINION 13TH	1,000
28	28812	PINION 10/48 TH.	1,000
29	28813	PINION 10 TH.	1,000
30	28874	DIFF. KIT	1,000
31	28815	BUSH	1,000
32	28816	BUSH	1,000
33	28817	SPACER	1,000
34	28777	OUTPUT SHAFT SEAL	1,000
35	28818	RIGHT SHAFT	1,000
36	28819	LEFT SHAFT	1,000
37	28820	PINION 12 TH.	1,000
38	28821	PINION 12 TH.	1,000
39	28822	DIFFERENTIAL AXLE	1,000
40	28823	RING	1,000
41	28824	PIN	1,000
42	28825	MAGNETIC RING	1,000
43	28826	BY-PASS SPRING	1,000
44	28827	SCREW 3/8-21X2,5	1,000
45	28828	LOWER FILTER	1,000
46	28829	FILTER BASE	1,000
47	28830	BY-PASS CONTROL	1,000
48	28831	BY-PASS CONTROL ROD	1,000
49	28832	BY-PASS LEVER	1,000

Number	Part Number	Name	Quantity
50	28833	RING	1,000
51	28834	LIPS SEAL	1,000
52	28835	SPACER	1,000
53	28836	RING	1,000
54	28837	CENTERING BUSH	1,000
55	28778	SPRING	1,000
56	28779	WASHER	1,000
58	28838	BRAKE CALIPER	1,000
59	28839	BRAKE DISK	1,000
60	28780	BRAKE SHOE	1,000
61	28840	ADJUSTEMENT PLATE	1,000
62	28841	PIN	1,000
63	28842	SCREW 1/4-20X2	1,000
65	28843	SPACER	1,000
66	28844	SPRING	1,000
68	28845	BRAKE LEVER	1,000
69	28846	NUT	1,000
70	28847	PIN	1,000
71	28848	SPRING	1,000
72	28849	WASHER	1,000
73	28850	WASHER	1,000
74	28781	SEAL KIT	1,000
75	28851	CAP	1,000
94	28852	BEARING	1,000
95	28853	SCREW 5/16-24X1-1/2	1,000
96	28854	SPACER	1,000
97	28855	SCREW 5/16-18X1	1,000
98	28856	RETURN LEVER	1,000
99	28857	SHIM	1,000
100	28858	WASHER	1,000
101	28859	SPRING	1,000
103	28861	BRACKET	1,000
107	28862	DEFLECTOR	1,000
108	28863	WASHER	1,000
109	28782	PLUG	1,000
110	28864	SCREW TORX 5/16-18	1,000
114	28865	ELASTIC RING	1,000
117	28866	SPRING PIN	1,000
119	28783	FAN	1,000
120	28784	PULLEY	1,000
121	28785	NUT 1/2-20	1,000

Number	Part Number	Name	Quantity
122	28786	WASHER	1,000
124	28867	FILTER UNIT CPLT	1,000
125	28868	FILTER CPLT	1,000
135	28869	PISTON PUMP	1,000
152	28787	NUT 3/4-16	1,000
153	28788	HUB CPLT	1,000
164	28789	PLUG 9/16-18	1,000
165	28790	PIPETTE 9/16-90°	1,000

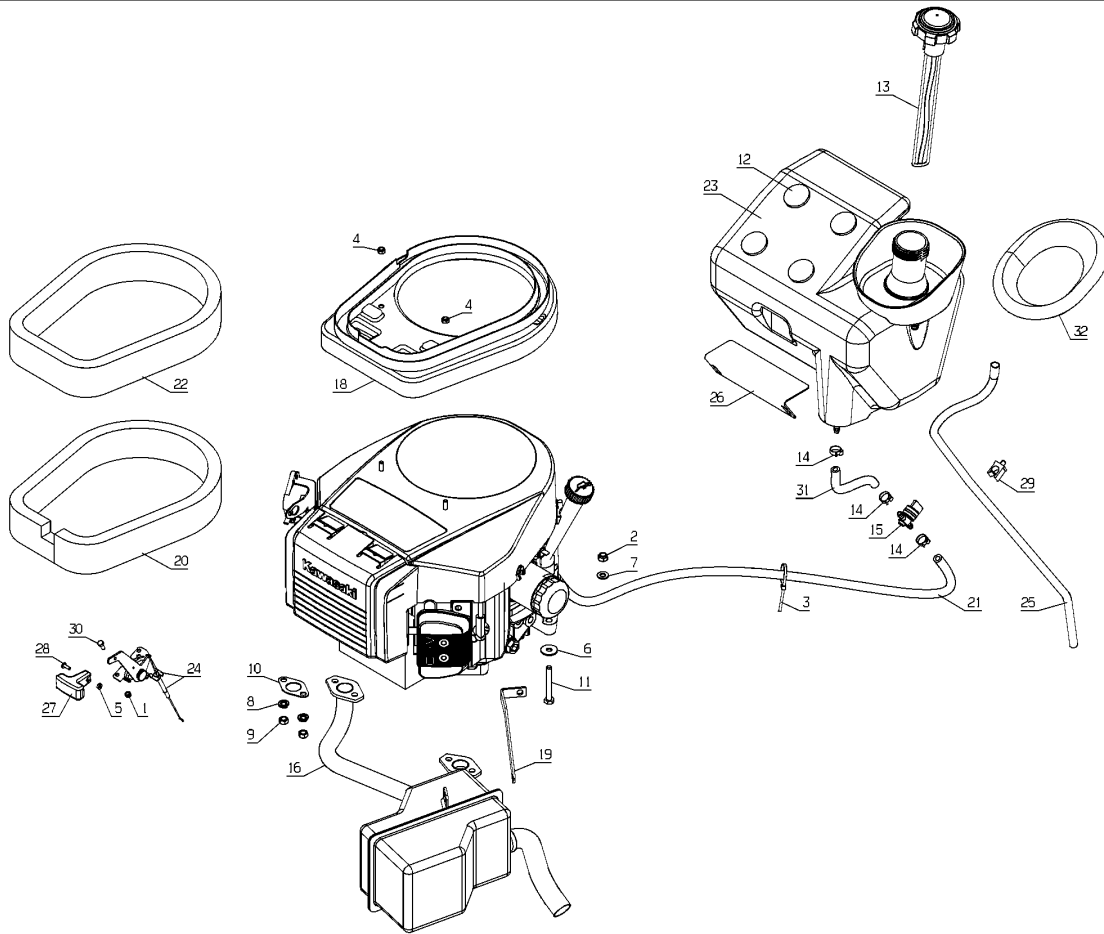
89.03



10/2011

Number	Part Number	Name	Quantity
1	37561	NUT	1,000
2	71205	SCREW M8	1,000
3	5202	RILSAN COLLAR	1,000
4	71201	NUT M6	1,000
5	5488	NUT HM 4.8	1,000
6	71126	FLAT WASHER,DIN 734	1,000
7	7335	WASHER	1,000
8	15848	SPRING WASHER	1,000
9	15849	HEX NUT	1,000
10	18126	EXHAUST GASKET	1,000
11	71068	HEXAGON SCREW,DIN 9	1,000
12	25879	SELF-ADHESIVE WASHE	1,000
13	28055	PETROL GAUGE	1,000
14	28323	HOSE HAND CLIP	1,000
15	28324	FUEL STOP VALVE	1,000
16	28577	MUFFLER	1,000
18	28581	FOAM SUPPORT KAWA	1,000
19	28590	MUFFLER FAST.LUG	1,000
20	28400	BELLOW FOAM MOTOR	1,000
21	30281	FUEL HOSE 1400 MM	1,000
23	37809	FUEL TANK	1,000
24	37821	THROTTLE KIT	1,000
25	38000	HOSE	1,000
26	38074	TANK BRACKET	1,000
27	38127	THROTTLE LEVER	1,000
28	38130	SCREW M4X12,4.6	1,000
29	38273	CLIP DIAM 12	1,000
30	71284	SCREW HM5X12	1,000
31	39194	FUEL HOSE	1,000
32	39273	TANK FOAM	1,000

PL01501

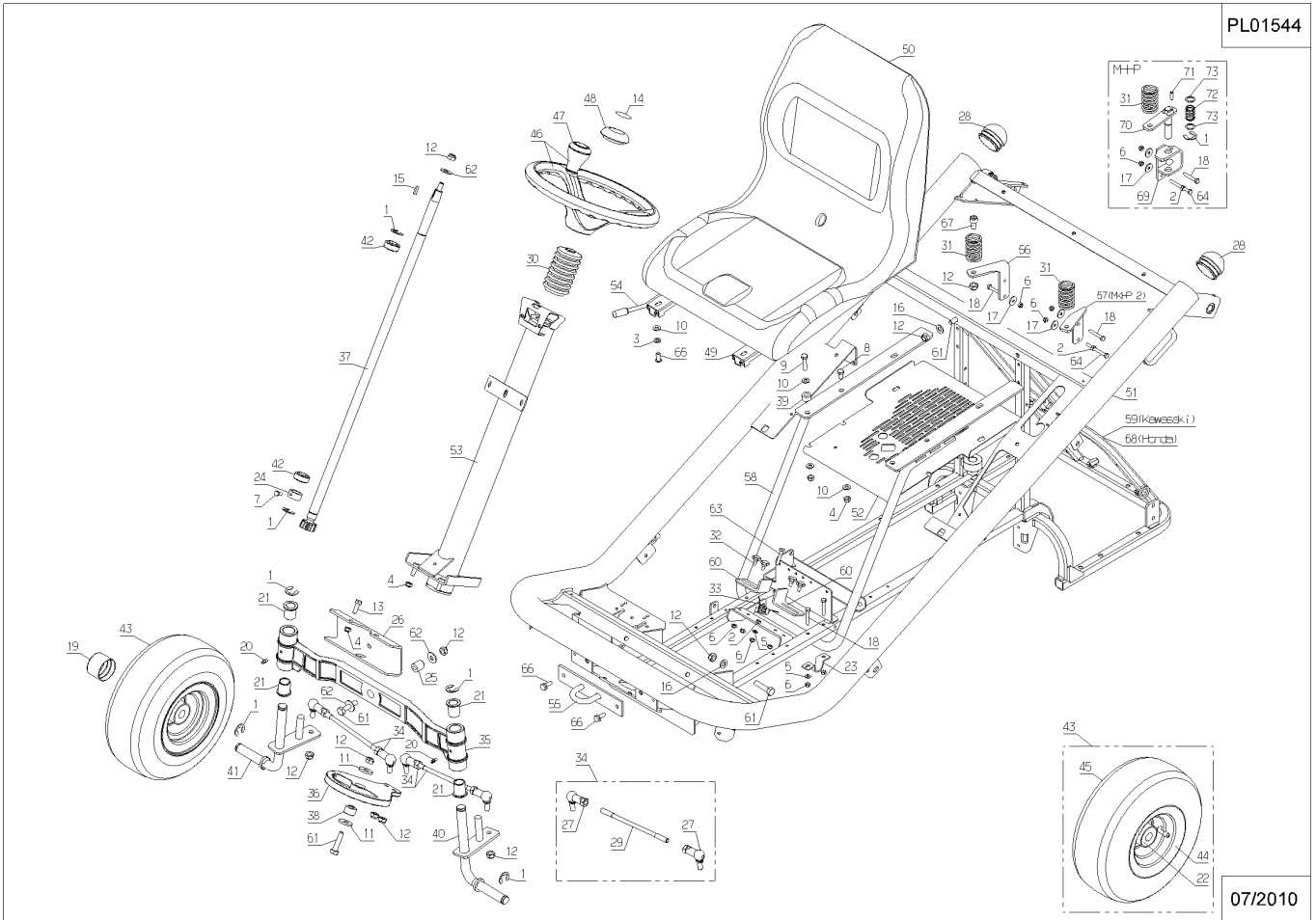


02/2013

Number	Part Number	Name	Quantity
1	1513	CIRCLIP 15	1,000
2	1557	NUT HM6	1,000
3	71343	SPRING WASHER A8	1,000
4	71205	SCREW M8	1,000
5	2235	WASHER A6.4	1,000
6	71201	NUT M6	1,000
7	37997	SCREW HM6-16 8.8	1,000
8	6169	SCREW HM8X16	1,000
9	7038	SCREW,DIN933 H M 8X	1,000
10	7335	WASHER	1,000
11	9009	WASHER	1,000
12	9017	NUT HM10	1,000
13	9056	BOLT 8X25	1,000
14	25330	BADGE - ETESIA	1,000
15	20606	KEY 5X5X20	1,000
16	21036	FLAT WASHER 10.5	1,000
17	22029	FLAT WASHER 6,5	1,000
18	22456	SCREW HM 6X40	1,000
19	25176	WHEEL CAP	1,000
20	25301	RH STD "HYDRAULIC"	1,000
21	25305	SELF-LUBRIC.RING C2	1,000
22	25616	BEARING	1,000
23	25711	STRAP	1,000
24	25728	BRAKE THRUST WASHER	1,000
25	28025	FRONT AXLE SPACER	1,000
26	28028	STEERING RING SUPP.	1,000
27	28047	STEER. KNUCKLE M10	1,000
28	28056	TUBE CAP 60	1,000
29	28536	STEERING ROD	1,000
30	28110	BELLOWS	1,000
31	28112	SEAT SPRING	1,000
32	28137	CATCH BOLT SP.SCREW	1,000
33	28206	SEAT BLOCAGE SPRING	1,000
35	28651	AXLE	1,000
36	28663	STEERING RING	1,000
37	28679	STEERING COLUMN	1,000
38	28690	SPACER	1,000
39	28711	SEAT SPACER	1,000
40	28718	LEFT STUB AXLE	1,000
41	28719	RIGHT STUB AXLE	1,000
42	28728	STEERING KNUCKLE	1,000

Number	Part Number	Name	Quantity
43	28731	FRONT WHEEL 13"	1,000
44	28732	FRONT RIM	1,000
45	28733	FRONT TYRE	1,000
46	29900	STEERING WHEEL	1,000
47	29923	STEERING WHEEL GAIT	1,000
48	29978	STEERING WHEEL CAP	1,000
49	30714	SEAT GUIDE LEFT	1,000
50	30691	SEAT	1,000
51	36721	FRAME DIA.60 GREEN	1,000
52	36847	SEAT CONTACT PLATE	1,000
53	36926	STEERING CONSOLE	1,000
54	37079	SEAT GUIDE RIGHT	1,000
55	37289	HOOK	1,000
56	53011	CORNER SEAT RIGHT	1,000
57	53012	CORNER SEAT LEFT	1,000
58	37812	SEAT BRACKET	1,000
59	38002	FRAME PRO	1,000
60	38056	SEAT STOP	1,000
61	71198	HEX.SCREW HM10X45	1,000
62	71238	WASHER A10,2	1,000
63	71259	SCREW HM6X35	1,000
64	71288	SCREW HM6X60 8.8	1,000
65	71373	SCREW M8X20	1,000
66	71413	SCREW HM 8-20	1,000
67	71434	IN.HEX.SCREW M10X20	1,000
68	38630	FRAME	1,000
69	38999	38999	1,000
70	39001	PIVOT CORNER	1,000
71	42731	PIN 6X20	1,000
72	43065	SPRING	1,000
73	71016	WASHER 16X22X1	1,000

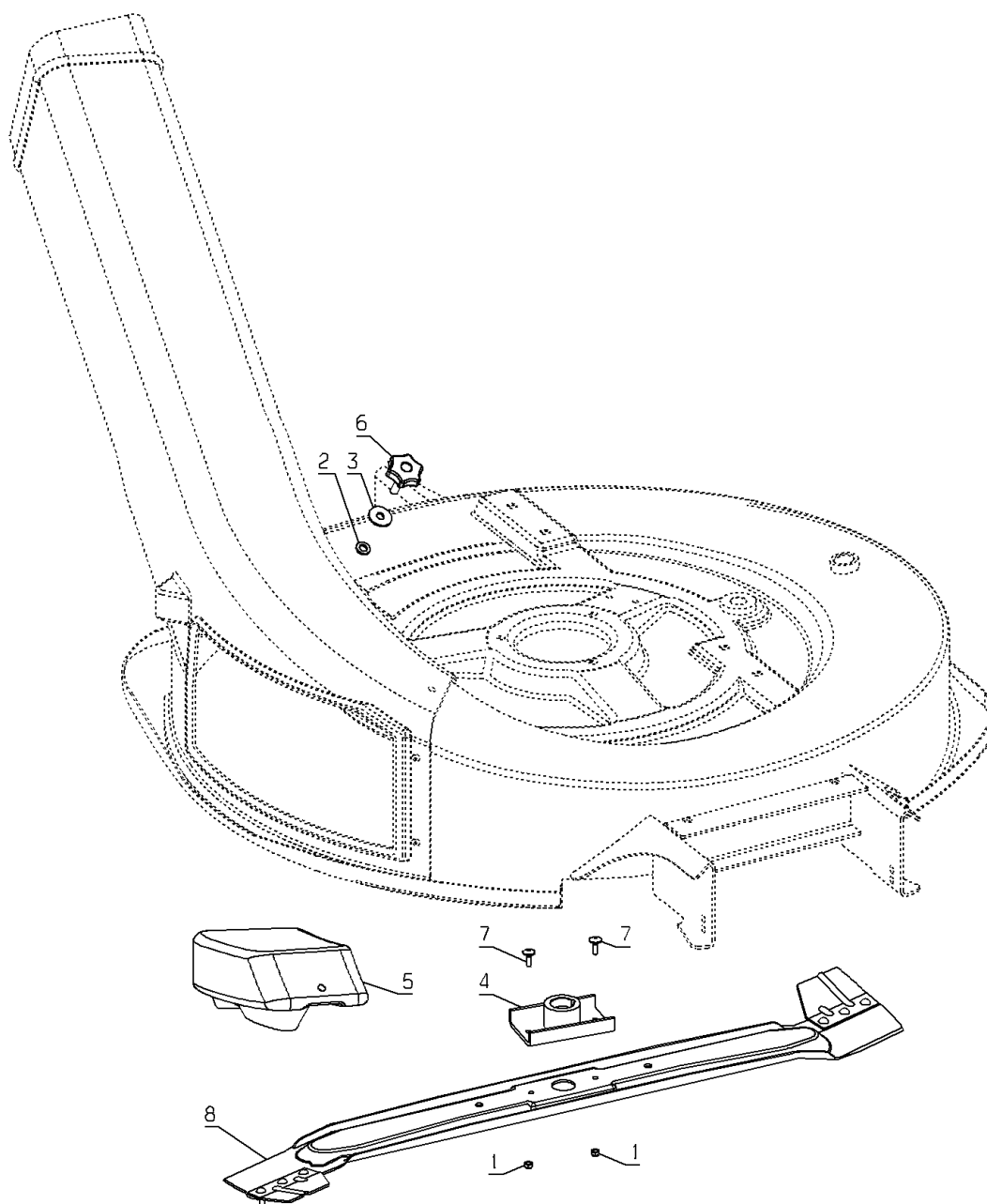
PL01544



Number	Part Number	Name	Quantity
1	37561	NUT	1,000
2	71343	SPRING WASHER A8	1,000
3	7035	FLAT WASHER	1,000
4	28420	BLADE COUPLING	1,000
5	35936	MULCHING PLUG	1,000
6	36152	BOTTOM	1,000
7	71231	SCREW JM5-16	1,000
8	MZ80M	BLADES FOR MULCHING	1,000

MU80N

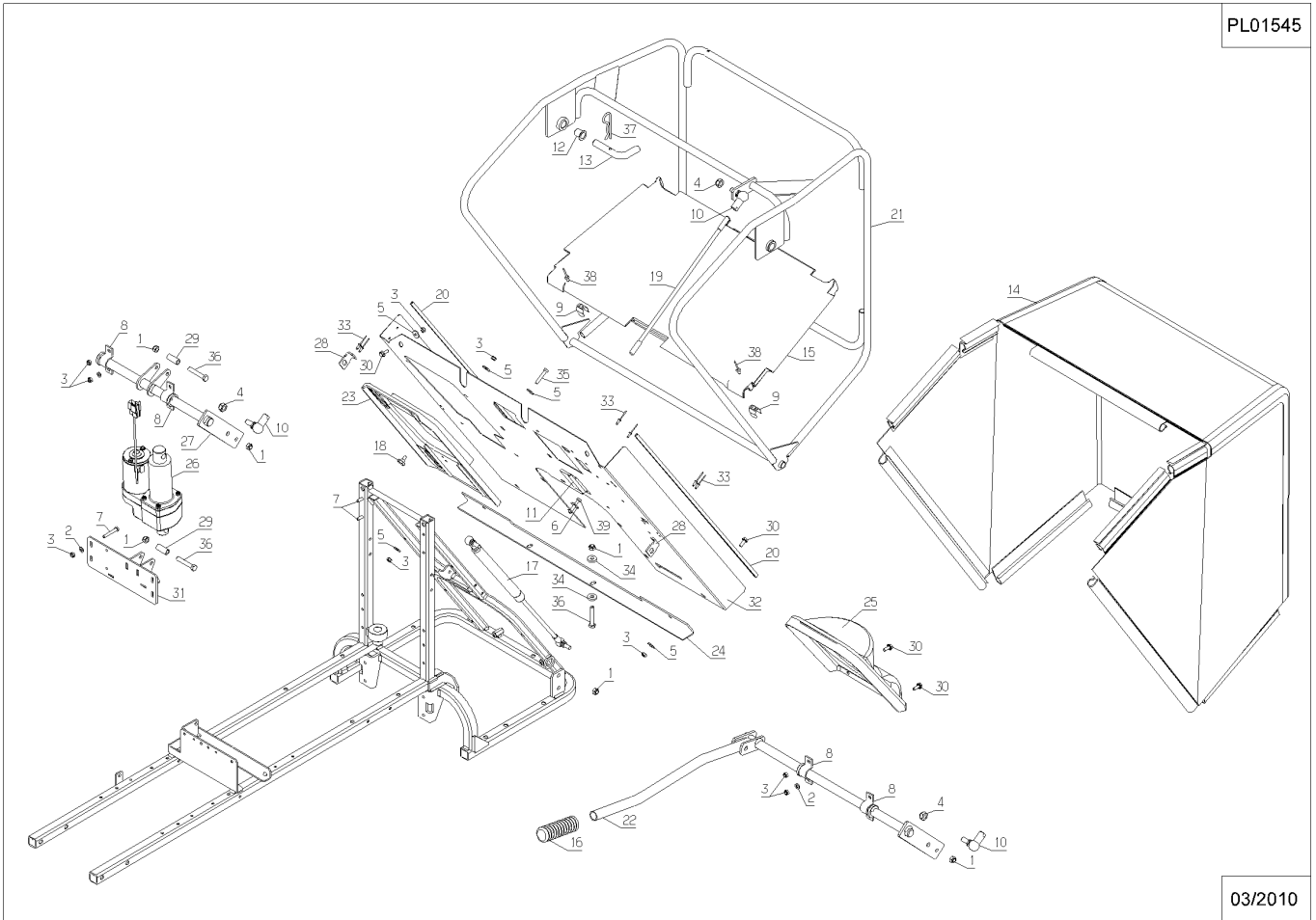
PL01316



02/2011

Number	Part Number	Name	Quantity
1	71205	SCREW M8	1,000
2	2235	WASHER A6.4	1,000
3	71201	NUT M6	1,000
4	9017	NUT HM10	1,000
5	21270	WASHER 6,4	1,000
6	22029	FLAT WASHER 6,5	1,000
7	22456	SCREW HM 6X40	1,000
8	25711	STRAP	1,000
9	25886	17/20 CUP	1,000
10	28047	STEER. KNUCKLE M10	1,000
11	28068	COLLECTOR BRUSH	1,000
12	28070	SLEEVE 15/17/20	1,000
13	28082	LINK AXLE	1,000
14	28087	BAG	1,000
15	28095	COLLECTOR BOTTOM	1,000
16	28118	CUT.HEIGHT LEVER HA	1,000
17	51458	GAS CYLINDER	1,000
18	28137	CATCH BOLT SP.SCREW	1,000
19	28168	RETURNING ROD	1,000
20	28254	PROTECT.COATING 690	1,000
21	28408	COLLECTOR FRAME	1,000
22	28409	LEVER	1,000
23	28568	CHANNEL GUIDE	1,000
24	28666	REINFORC.REAR PLATE	1,000
25	28726	TRANSMISSION COVER	1,000
26	36762	ELECTRIC RAM	1,000
27	36768	AXLE	1,000
28	37621	FIXING COVERING	1,000
29	37710	BUSH 30X12.7X8.5	1,000
30	37997	SCREW HM6-16 8.8	1,000
31	38046	CYLINDER BRACKET	1,000
32	38347	REAR PLATE	1,000
33	71114	ALUMINUM NAIL RIVET	1,000
34	71126	FLAT WASHER,DIN 734	1,000
35	71159	WASHER 7/16"	1,000
36	71223	SCREW M8X50	1,000
37	71228	BETA PIN 4	1,000
38	71241	NAIL RIVET 4,8X10,5	1,000
39	71259	SCREW HM6X35	1,000

PL01545



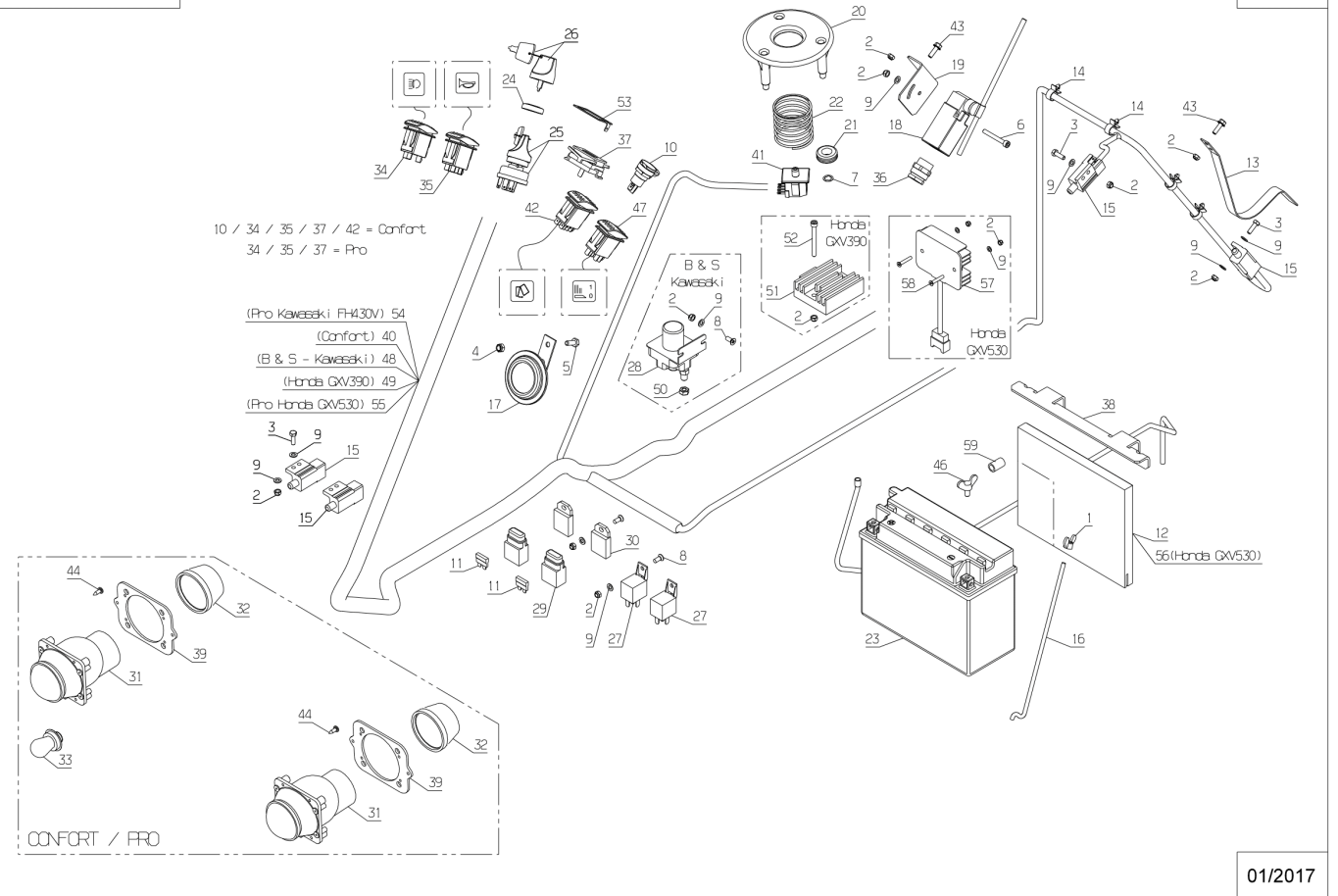
03/2010

Number	Part Number	Name	Quantity
1	1504	WING NUT	1,000
2	37561	NUT	1,000
3	5071	BOLT HM 5X20	1,000
4	71201	NUT M6	1,000
5	37997	SCREW HM6-16 8.8	1,000
6	5399	BOLT M5X40	1,000
7	7377	TRUARC COLLAR DIN 7	1,000
8	20563	SCREW M5 X 12	1,000
9	20564	WASHER 5,5	1,000
10	25822	FEMALE 2 WIR.CONNEC	1,000
11	25828	FUSE 25A 12V	1,000
12	28015	BATTERY HEAT PROTEC	1,000
13	28073	COLLECTOR SWITCH PL	1,000
14	28081	CLAMP 12,8MM	1,000
15	28159	SWITCH	1,000
16	28164	BATTERY CLAMP ROD	1,000
17	28209	ALARM	1,000
18	28210	BUZZER SWITCH	1,000
19	28211	BUZZER SWITCH SUPP.	1,000
20	28279	SENSITIVE DISK	1,000
21	28292	RUBBER FUNEL DIA.14	1,000
22	28293	SPRING	1,000
23	52101	BATTERY	1,000
24	28382	KEY CONTACT. EMBEL.	1,000
25	28384	KEY CONTACTOR	1,000
26	28388	SET OF 2 KEY	1,000
27	28392	WATERPROOF RELAY	1,000
28	16604	RELAY STARTER KIT	1,000
29	28582	PLUG FUSE HOLDER	1,000
30	28594	BRACKET	1,000
31	28689	LIGHT	1,000
32	28743	REAR CAP	1,000
33	28744	BULB	1,000
34	52497	SWITCH ON/OFF LIGHT	1,000
35	52495	SWITCH ON/OFF/ON	1,000
36	29789	CONTACTOR GROMMET	1,000
37	51640	HOUR COUNTER	1,000
38	35675	BATTERY ANGLE BRACK	1,000
39	37198	LIGHTS BRACKET	1,000
40	37834	ELECTRICAL WIRING	1,000
41	37835	SEAT SWITCH	1,000

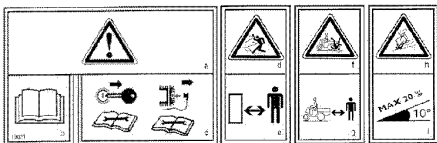
Number	Part Number	Name	Quantity
42	37838	SWITCH	1,000
43	37996	SCREW HM5-16 8.8	1,000
44	71111	TAPPING SCREW,DIN 7	1,000
46	71236	WING SCREW M6X12	1,000
47	52494	SWITCH	1,000
48	51760	WIRING	1,000
49	36728	ELECTRICAL WIRING	1,000
50	71001	NUT 1/4"	1,000
51	18796	REGULATOR	1,000
52	71167	CHC M5X50 SCREW	1,000
53	38459	TACHO.ANTIPARASITIC	1,000
54	36893	ELECTRICAL WIRING	1,000
55	38520	ELECTRICAL WIRING	1,000
56	38713	BATTERY HEAT PROTEC	1,000
57	18840	REGULATOR GXV 530	1,000
58	71058	SLOTTED SCREW,DIN 9	1,000
59	42019	BUSH 12X8,2X19	1,000

155182 → 163487

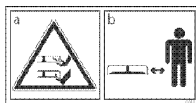
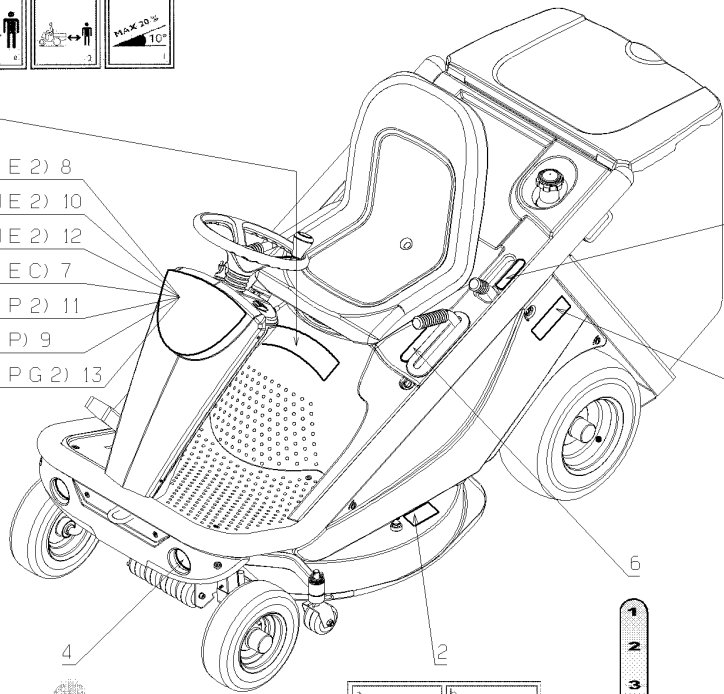
PL01507



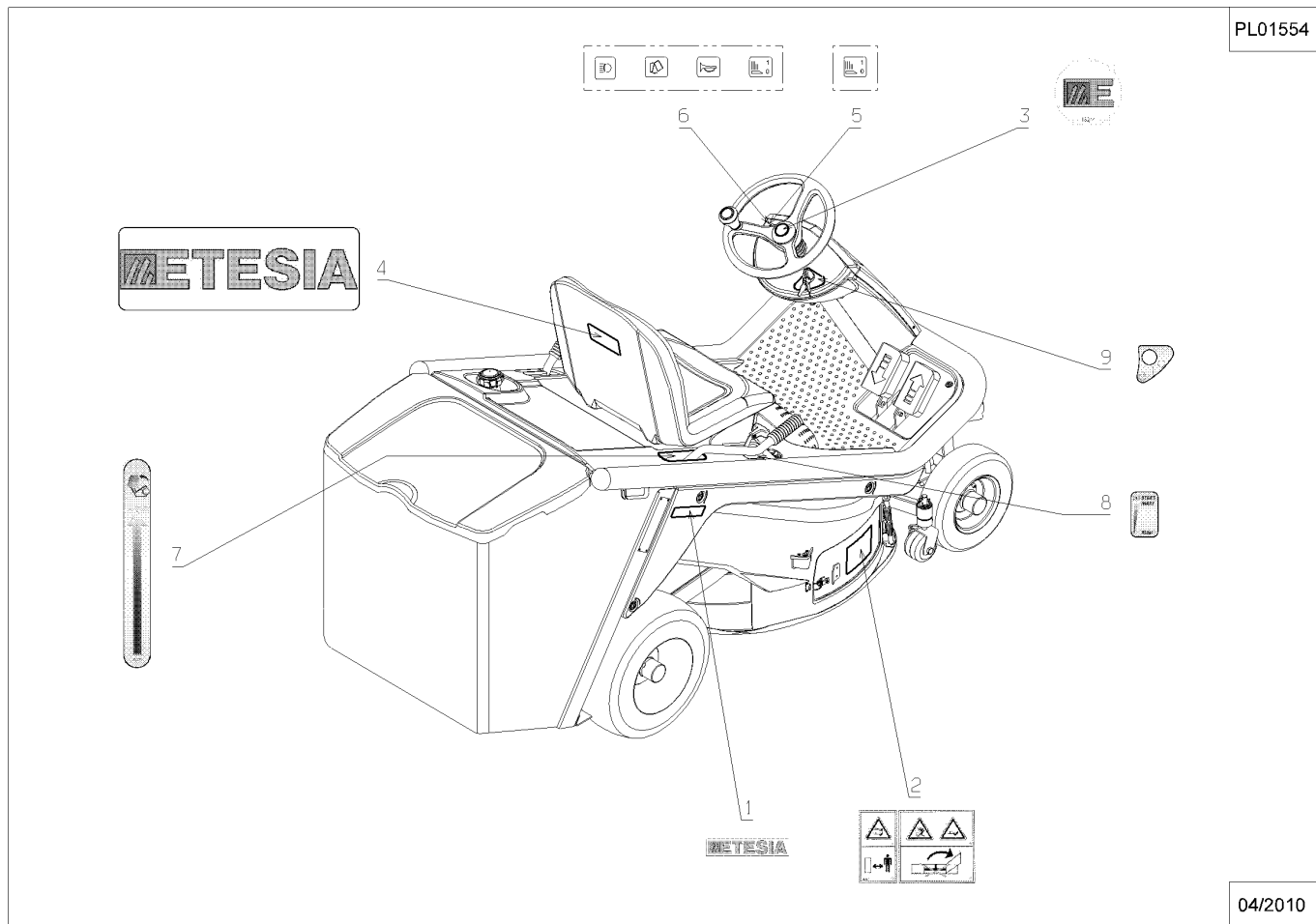
Number	Part Number	Name	Quantity
1	13021	STICKER	1,000
2	13062	STICKER CUT-DECK	1,000
3	13086	STICKER ETESIA	1,000
4	35866	STICKER - BLINKER	1,000
5	52810	KIT STICKERS	1,000
7	37828	STICKER MKHEC	1,000
8	54520	MBHE2 STICKER	1,000
9	38352	STICKER CONS.MHHP2	1,000
10	38253	-> 54521	1,000
11	54522	MKHP3 STICKER	1,000
12	54529	MKHE3 STICKER	1,000
13	36860	CONS.STICKER MKHPG2	1,000



- 1
- (MBHE 2) 8
- (MHHE 2) 10
- (MKHE 2) 12
- (MBHEC) 7
- (MKHP 2) 11
- (MHHP) 9
- (MKHPG 2) 13



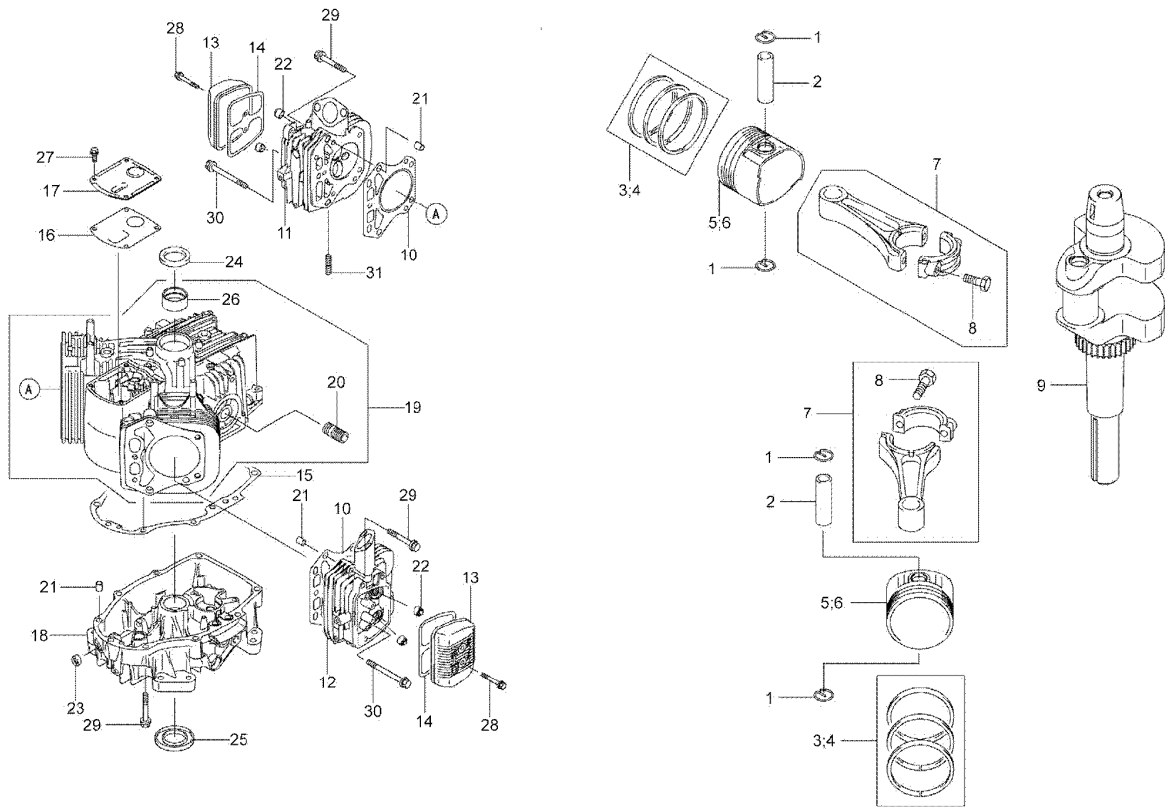
Number	Part Number	Name	Quantity
1	13086	STICKER ETESIA	1,000
2	13089	ETIQ. TRAPPE FR.	1,000
3	25330	BADGE - ETESIA	1,000
4	28308	ETESIA LOGO	1,000
5	37831	STICKER - BLADES	1,000
6	51432	STICKER	1,000
7	52810	KIT STICKERS	1,000
8	38053	STICKER	1,000
9	38146	STICKER	1,000



Number	Part Number	Name	Quantity
1	18225	RING SNAP	1,000
2	18140	PISTON PIN	1,000
3	17743	RING SET	1,000
4	18141	PISTON RINGS SET0,5	1,000
5	18139	PISTON	1,000
6	18142	PISTON 0,5	1,000
7	18156	CONNEC.ROD ASSY	1,000
8	17978	SCREW	1,000
9	18143	CRANKSHAFT	1,000
10	18117	CYL.HEAD GASKET	1,000
11	18118	CYLINDER HEAD 1	1,000
12	18119	CYLINDER HEAD 2	1,000
13	18123	CYLINDER HEAD COVER	1,000
14	18125	GASKET	1,000
15	18128	GASKET	1,000
16	18129	GASKET	1,000
17	18165	CAP	1,000
18	18198	LOWER CRANKCASE	1,000
19	18207	ENGINE CRANKCASE	1,000
20	18214	GASKET	1,000
21	18226	PIN	1,000
22	18228	OIL SEAL 6X11X10,2	1,000
23	15429	GASKET 8X14X5	1,000
24	18230	OIL SEAL 35X48X8	1,000
25	18231	OIL SEAL 35X62X8	1,000
26	18238	BUSH	1,000
27	17726	SCREW	1,000
28	18147	SCREW	1,000
29	18149	SCREW	1,000
30	18150	SCREW	1,000
31	18180	STUD	1,000

MKHE - H80

471.01



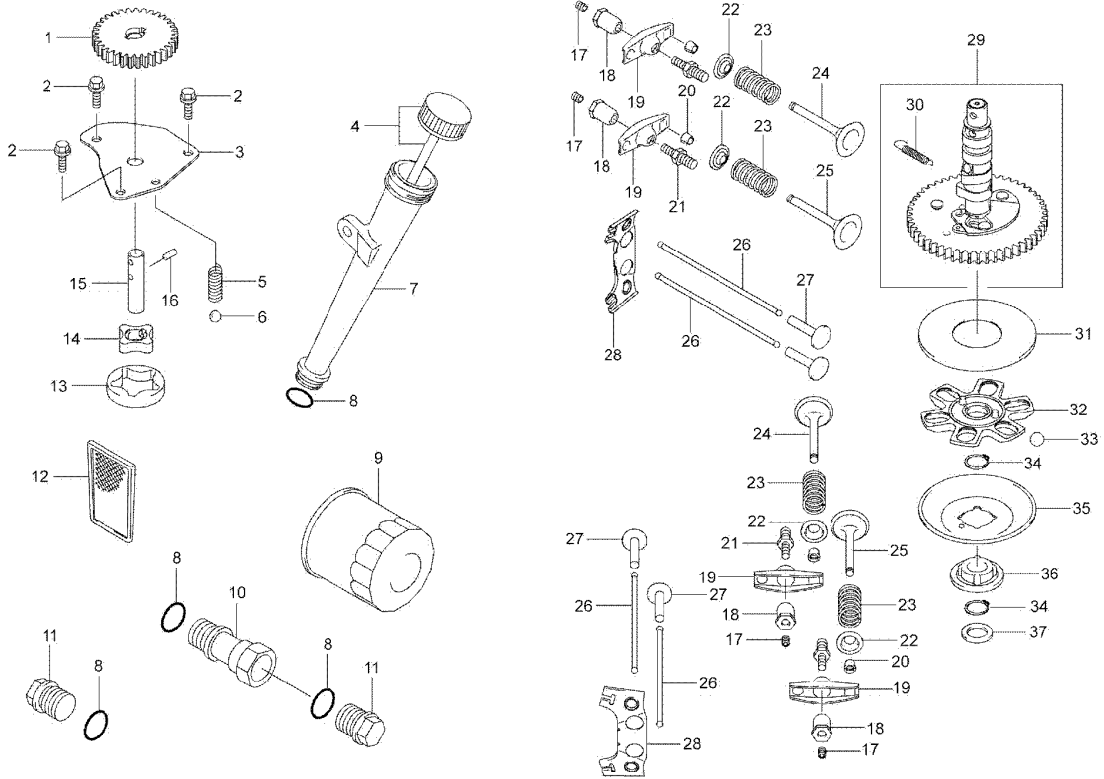
KAWASAKI
FH430V

10-2004

Number	Part Number	Name	Quantity
1	18212	GEAR	1,000
2	17726	SCREW	1,000
3	18160	PUMP COVER	1,000
4	18164	OIL GAUGE	1,000
5	18242	SPRING	1,000
6	18240	STEEL BALL	1,000
7	18217	FILLING TUBE	1,000
8	15686	O-RING	1,000
9	18088	OIL FILTER	1,000
10	18215	OIL DRAIN EXTENSION	1,000
11	18236	OIL DRAIN PLUG	1,000
12	18201	FILTER SCREEN	1,000
13	18176	PUMP BODY	1,000
14	18175	PUMP	1,000
15	18152	PUMP SHAFT	1,000
16	18227	PIN	1,000
17	17941	SCREW	1,000
18	17765	GUIDE NUT	1,000
19	18137	ROCKER ARM	1,000
20	18136	PELLET	1,000
21	18252	STUD	1,000
22	18135	WASHER	1,000
23	17762	VALVE SPRING	1,000
24	18133	INTAKE VALVE	1,000
25	18134	EXHAUST VALVE	1,000
26	18155	PUSH ROD	1,000
27	18138	LIFTER ARM	1,000
28	18144	GUIDE	1,000
29	18206	CAMSHAFT	1,000
30	18241	SPRING	1,000
31	18159	PLATE	1,000
32	18145	GUIDE	1,000
33	18239	STEEL BALL	1,000
34	18224	SNAP RING	1,000
35	18162	PLATE GOVERNOR	1,000
36	18197	SLEEVE	1,000
37	18259	WASHER	1,000

MKHE - H80

473.01



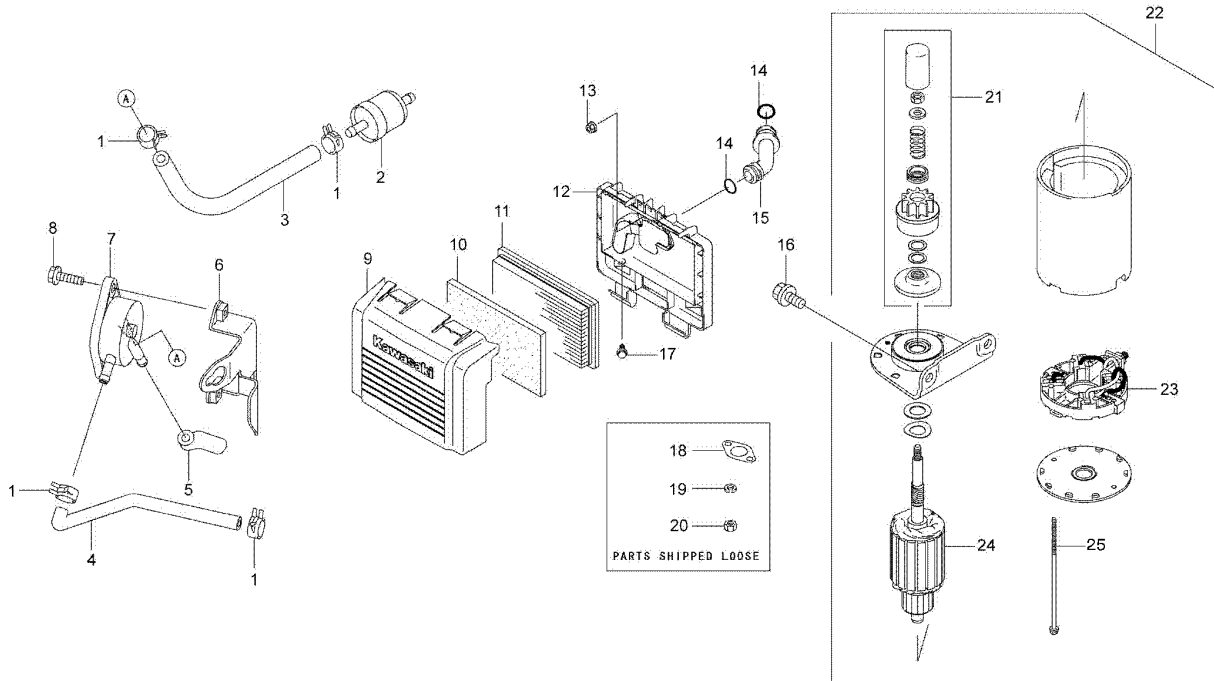
KAWASAKI
FH430V

10-2004

Number	Part Number	Name	Quantity
1	18253	CLAMP	1,000
2	18199	FILTER	1,000
3	18257	HOSE	1,000
4	18258	HOSE	1,000
5	18256	HOSE	1,000
6	18190	PUMP BARCKET	1,000
7	18200	PUMP	1,000
8	15276	SCREW 6X20	1,000
9	18120	AIR FILTER COVER	1,000
10	18121	PREFILTER	1,000
11	18122	CARTRIDGE	1,000
12	18124	FILTER BODY	1,000
13	18222	NUT	1,000
14	18218	O-RING	1,000
15	18194	PIPE BREATHER	1,000
16	18148	SCREW	1,000
17	18249	SCREW	1,000
18	18126	EXHAUST GASKET	1,000
19	15848	SPRING WASHER	1,000
20	15849	HEX NUT	1,000
21	18151	GEAR ASSY	1,000
22	18184	STARTER	1,000
23	18181	CARBON BRUSH	1,000
24	18183	ROTOR	1,000
25	18360	STARTER SCREW	1,000

KAWASAKI
FH430V

475.01



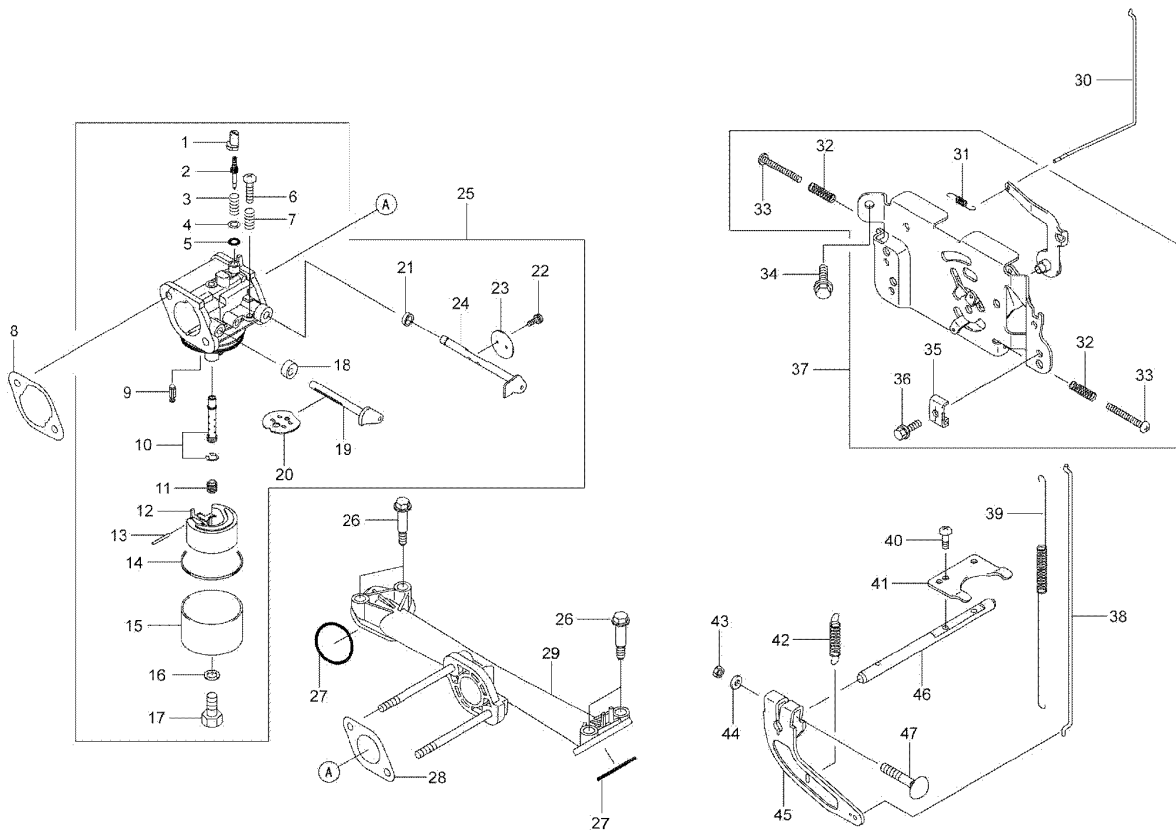
09/2008

Number	Part Number	Name	Quantity
1	18195	RING	1,000
2	18168	MIXTURE CONT.SCREW	1,000
3	18246	SPRING	1,000
4	18261	WASHER	1,000
5	18232	O-RING	1,000
6	18220	SCREW	1,000
7	18006	SPRING	1,000
8	18132	GASKET	1,000
9	18171	VALVE FLOAT	1,000
10	18208	CHOKE TUBE	1,000
11	18234	MAIN JET	1,000
12	18172	FLOAT	1,000
13	18154	FLOAT AXLE	1,000
14	18130	GASKET	1,000
15	18169	FLOAT CHAMBER	1,000
16	18131	GASKET	1,000
17	18255	SCREW	1,000
18	18237	GASKET	1,000
19	18173	CHOKE THROTTLE SHAF	1,000
20	18179	THROTTLE	1,000
21	18001	DICHTUNG	1,000
22	18219	SCREW	1,000
23	18170	GASKLAPPE	1,000
24	18174	ACC.THROTTLE SHAFT	1,000
25	18167	CARBURATOR CPLT	1,000
26	18251	SCREW	1,000
27	18233	O-RING	1,000
28	18127	GASKET	1,000
29	18216	MANIFOLD INTAKE	1,000
30	18177	CHOKE ROD	1,000
31	18244	SPRING	1,000
32	18245	SPRING	1,000
33	18221	SCREW	1,000
34	17726	SCREW	1,000
35	18254	GUARD	1,000
36	15753	SCREW	1,000
37	18205	CONTROL PLATE ASSY	1,000
38	18178	REGULATOR ROD	1,000
39	18243	SPRING	1,000
40	18188	SCREW	1,000
41	18285	PLAQUE	1,000

Number	Part Number	Name	Quantity
42	18196	SPRING	1,000
43	18193	NUT	1,000
44	15340	FLAT WASHER	1,000
45	18204	REGULATOR LEVER	1,000
46	18153	SHAFT	1,000
47	18248	SCREW	1,000

MKHE - H80

477.01



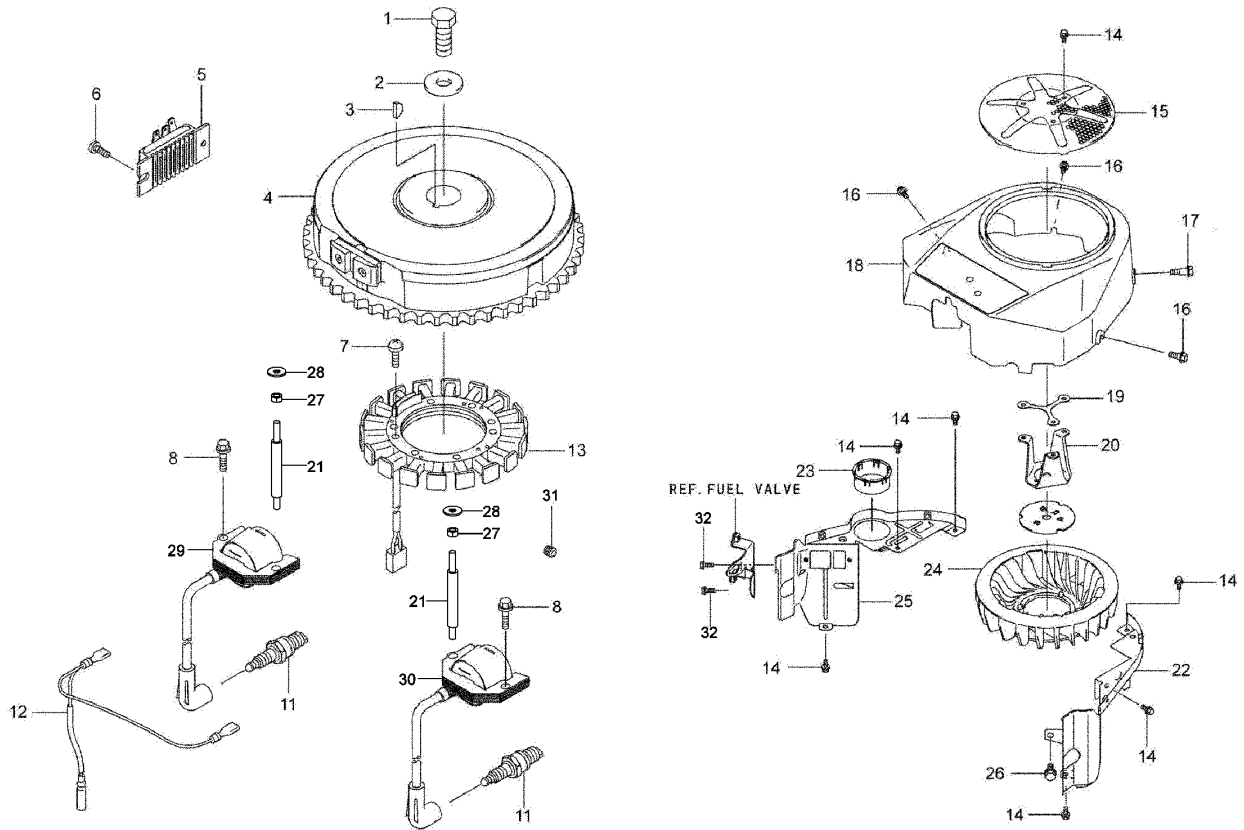
KAWASAKI
FH430V

10-2004

Number	Part Number	Name	Quantity
1	18247	SCREW	1,000
2	18260	WASHER	1,000
3	18209	KEY	1,000
4	18187	IGNITION WHEEL	1,000
5	18182	VOLTAGE REGULATOR	1,000
6	15604	SCREW	1,000
7	18189	SCREW	1,000
8	15276	SCREW 6X20	1,000
9	18264	COIL	1,000
10	18265	COIL	1,000
11	18116	SPARK PLUG	1,000
12	18192	WIRE HARNESS	1,000
13	18210	GENERATOR	1,000
14	17726	SCREW	1,000
15	18163	SCREEN	1,000
16	18249	SCREW	1,000
17	18250	SCREW	1,000
18	18213	ENGINE COVER	1,000
19	18223	SPACER	1,000
20	18191	BRACKET	1,000
21	18263	STUD	1,000
22	18202	SIDE COVER 2	1,000
23	18166	COVER	1,000
24	18211	COOLING FAN	1,000
25	18203	SIDE COVER 1	1,000
26	18148	SCREW	1,000
27	1557	NUT HM6	1,000
28	21270	WASHER 6,4	1,000
31	15471	PLUG	1,000
32	15840	SCREW	1,000

KAWASAKI
FH430V

479.01



11/2011