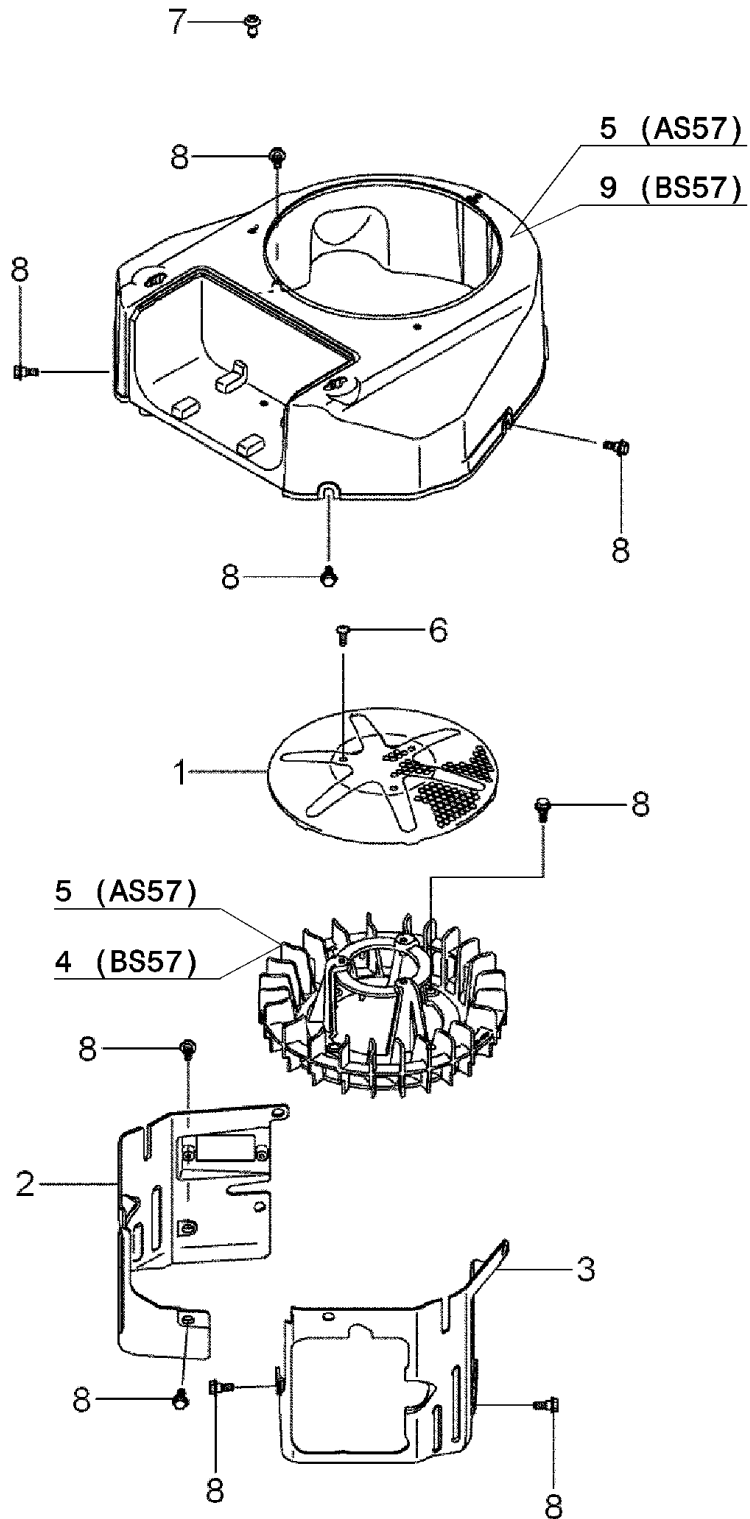


Number	Part Number	Name	Quantity
1	15287	GRID	1,000
2	15385	COVERING	1,000
3	15389	COVERING	1,000
4	15396	FAN	1,000
5	15522	ENGINE COVER KIT	1,000
6	15421	SCREW	1,000
7	15428	RIVET	1,000
8	18249	SCREW	1,000
9	15523	ENGINE COVER	1,000

KAWASAKI  
FS481V

PL01986

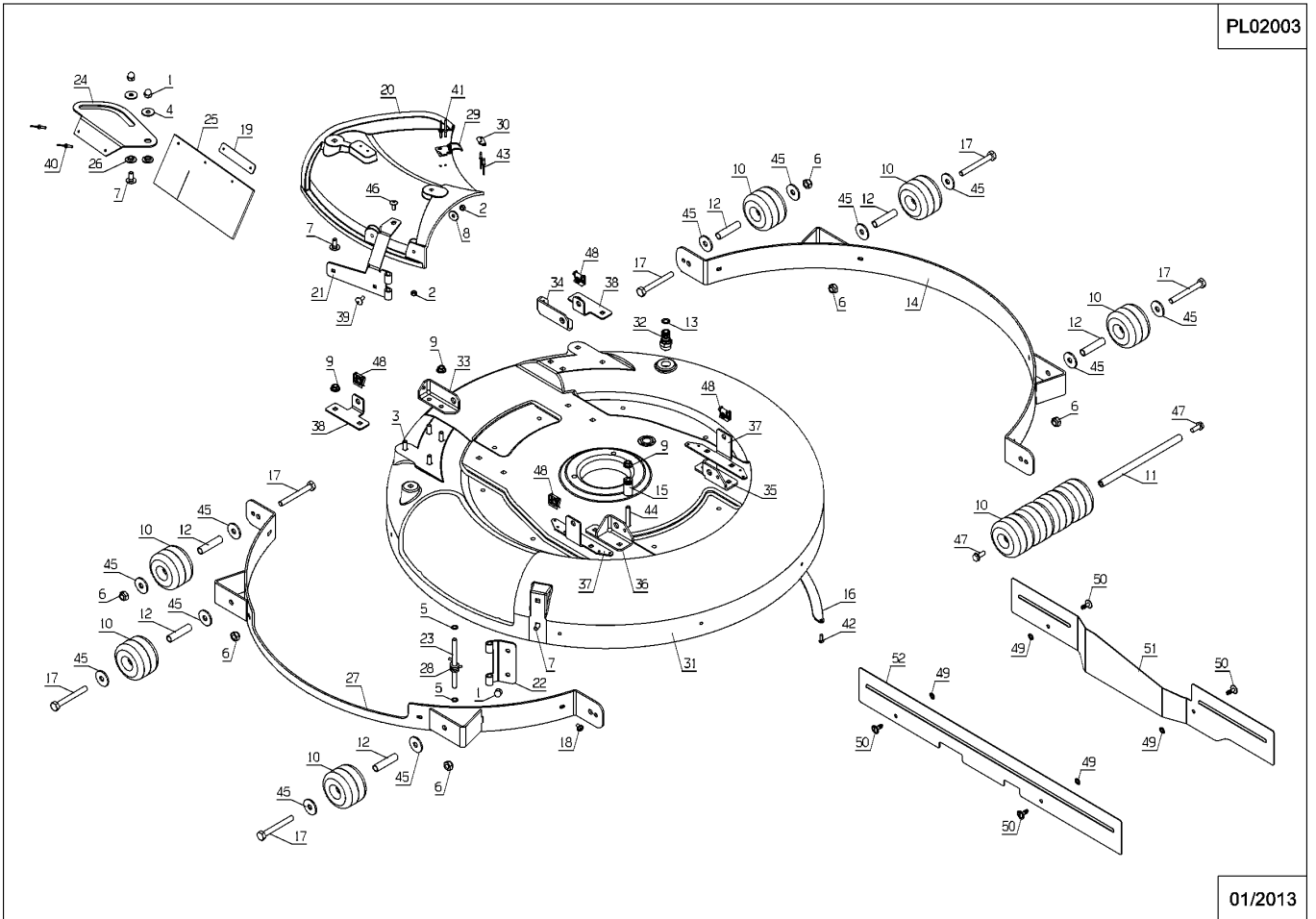


01/2015

Number	Part Number	Name	Quantity
1	5043	NUT	1,000
2	71201	NUT M6	1,000
3	5347	SCREW 8X25	1,000
4	7035	FLAT WASHER	1,000
5	7377	TRUARC COLLAR DIN 7	1,000
6	9017	NUT HM10	1,000
7	9071	SCREW M8X20	1,000
8	22029	FLAT WASHER 6,5	1,000
9	71205	SCREW M8	1,000
10	28123	ROLLER	1,000
11	28315	FR.ROLLER SHAFT 96	1,000
12	28333	ROLLER SPACER	1,000
13	28762	GASKET 10,77 X 2,6	1,000
14	32441	CUT.DECK SIDE PROT.	1,000
15	36047	SPRING HANG.STUD	1,000
16	36218	PROTECTION PLATE	1,000
17	36488	SCREW M10-85,8.8	1,000
18	36489	SCREW XM6-12	1,000
19	36576	PLATE	1,000
20	36642	MULCH. DEFLECTOR	1,000
21	36797	HINGE	1,000
22	36798	HINGE	1,000
23	36799	HINGE AXLE	1,000
24	36800	BRACKET	1,000
25	36801	RUBBER FLAPPER	1,000
26	36982	BUSH	1,000
27	36983	CUT.DECK PROTECT.R	1,000
28	37009	SPRING	1,000
29	37074	CLAMP	1,000
30	37085	CLAMP HOOK	1,000
31	38736	TAPPED CUT DECK 85M	1,000
32	39084	-> 53091	1,000
33	39292	BRACKET	1,000
34	39529	BRACKET	1,000
35	39531	BRACKET	1,000
36	39533	BRACKET	1,000
37	39539	BRACKET	1,000
38	39540	BRACKET	1,000
39	71069	BOLT DIN 603	1,000
40	71112	DIA.4X18 STAR RIVET	1,000
41	71113	NAIL RIVET, DIA. 4X	1,000

Number	Part Number	Name	Quantity
42	71128	SCREW TFCR M5X16	1,000
44	22031	SCREW 8X55	1,000
45	71257	WASHER R11	1,000
46	71361	SCREW RL X M6X16	1,000
47	71413	SCREW HM 8-20	1,000
48	37499	1/4 ROTATION LOCK	1,000
49	37500	1/4 ROTATION WASHER	1,000
50	37501	1/4 ROTATION SCREW	1,000
51	50143	LEFT PROTECTION	1,000
52	39542	RIGHT PROTECTION	1,000

PL02003

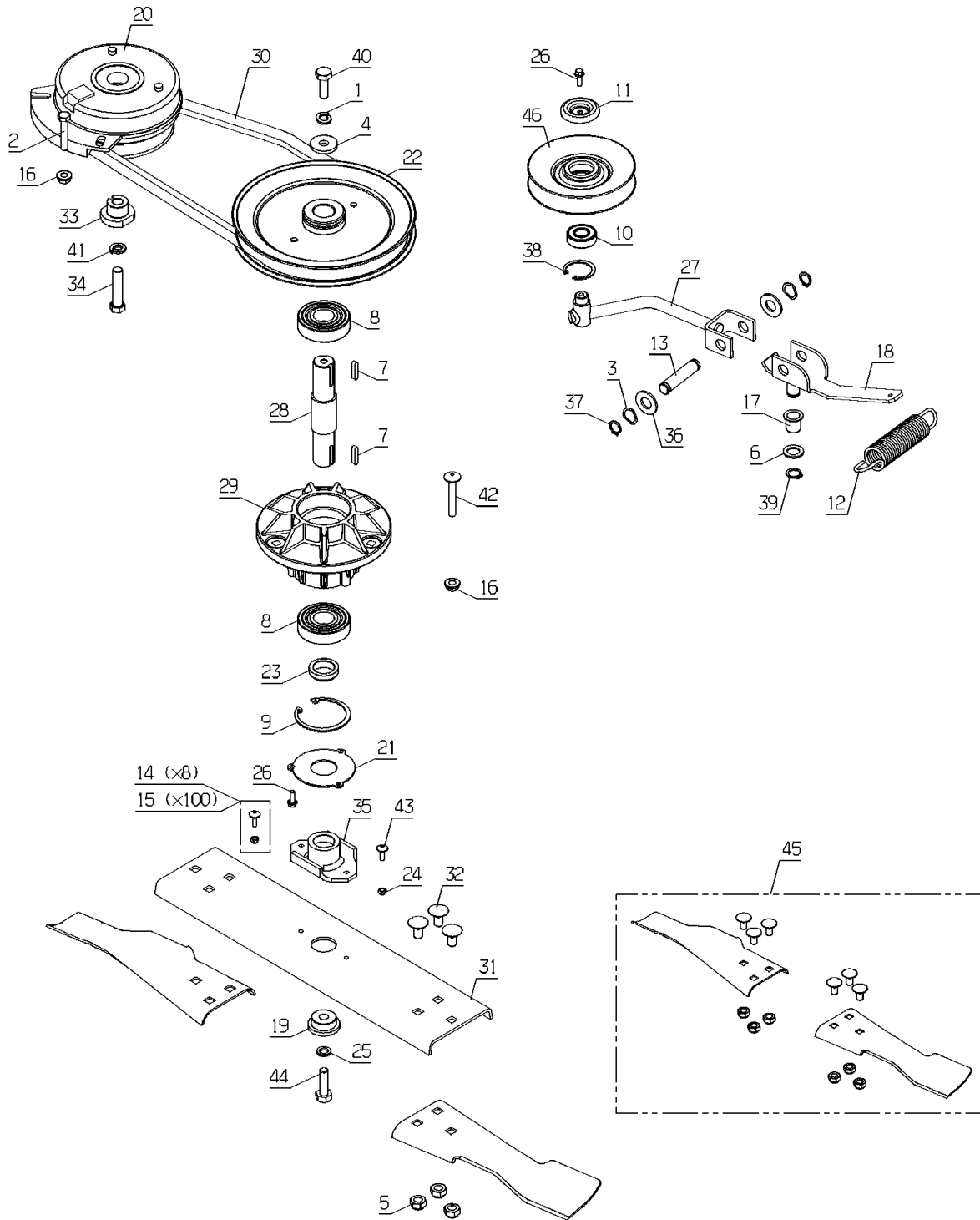


01/2013

Number	Part Number	Name	Quantity
1	71052	SPRING WASHER,DIN 1	1,000
2	5340	HEXAGON SCREW,DIN 9	1,000
3	5411	WASHER	1,000
4	9009	WASHER	1,000
5	9017	NUT HM10	1,000
6	9166	WASHER 15X24X2	1,000
7	20602	KEY 5X5X25	1,000
8	21553	BEARING 6305-2RS	1,000
9	21560	CIRCLIP 62X2 I.	1,000
10	25112	BALL BEARING,6202 S	1,000
11	25117	PLUG T. ARM	1,000
12	25124	TENSION SPRING	1,000
13	25126	BELT TIGHTENER ARM	1,000
14	26157	SET OF 8 SHEARBOLTS	1,000
15	26357	100 SHEAR BOLTS	1,000
16	71205	SCREW M8	1,000
17	28070	SLEEVE 15/17/20	1,000
18	28411	BELT TIGH.YOKE	1,000
19	32548	WASHER	1,000
20	35576	BLADE CLUTCH TG105	1,000
21	35748	BEARING PROTECTION	1,000
22	36044	PULLEY	1,000
23	36615	BUSH	1,000
24	37561	NUT	1,000
25	37665	WASHER	1,000
26	37996	SCREW HM5-16 8.8	1,000
27	39294	TENSIONNER ARM	1,000
28	39297	BLADE SHAFT	1,000
29	39298	BLADE BEARING	1,000
30	39299	BELT B/17 L1203	1,000
31	39919	BLADE BODY MKM	1,000
32	50071	SCREW	1,000
33	50084	STOP	1,000
34	50086	SCREW	1,000
35	50334	BLAD COUPLING	1,000
36	71034	FLAT WASHER NFE 276	1,000
37	71036	DIN 471 14X1 EXT. C	1,000
38	71039	CIRCLIP,DIN 427 35X	1,000
39	71047	CIRCLIP DIN 471 15X	1,000
40	71110	HEXAGON SCREW,DIN 9	1,000
41	71159	WASHER 7/16"	1,000

Number	Part Number	Name	Quantity
42	22031	SCREW 8X55	1,000
43	71231	SCREW JM5-16	1,000
44	71242	HEX.SCREW HM10X35	1,000
45	MC85MN	HALF BLADES MKM	1,000
46	26156	BELT TIGHTENER PULL	1,000

PL02004

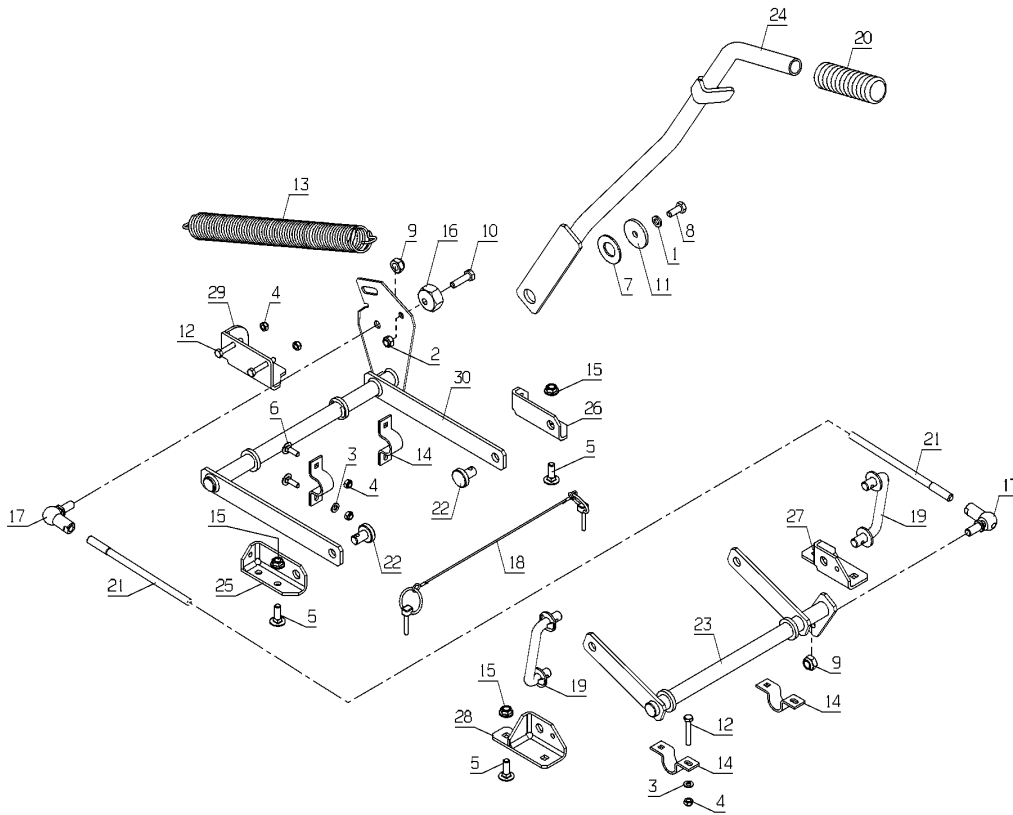


02/2014



Number	Part Number	Name	Quantity
1	71343	SPRING WASHER A8	1,000
2	71205	SCREW M8	1,000
3	2235	WASHER A6.4	1,000
4	71201	NUT M6	1,000
5	5347	SCREW 8X25	1,000
6	5496	SCREW 6X20	1,000
7	7330	WASHER	1,000
8	71413	SCREW HM 8-20	1,000
9	9017	NUT HM10	1,000
10	9061	BOLT 8X30	1,000
11	20021	WASHER 8,5X40X4	1,000
12	22456	SCREW HM 6X40	1,000
13	25425	COMPENSATION SPRING	1,000
14	25711	STRAP	1,000
16	28040	CUTTING HEIGHT STOP	1,000
17	28047	STEER. KNUCKLE M10	1,000
18	28075	SAFETY PIN & CHAIN	1,000
19	28113	INTERMEDIATE ROD	1,000
20	28118	CUT.HEIGHT LEVER HA	1,000
21	28119	ROD	1,000
22	28208	SHAFT	1,000
23	28419	CUTT.HEIGHT FR.ARM	1,000
24	28429	CUTT. HEIGHT LEVER	1,000
25	39292	BRACKET	1,000
26	39529	BRACKET	1,000
27	39531	BRACKET	1,000
28	39533	BRACKET	1,000
29	39777	CUTTING HEIGHT STOP	1,000
30	39929	ARM	1,000

PL02005

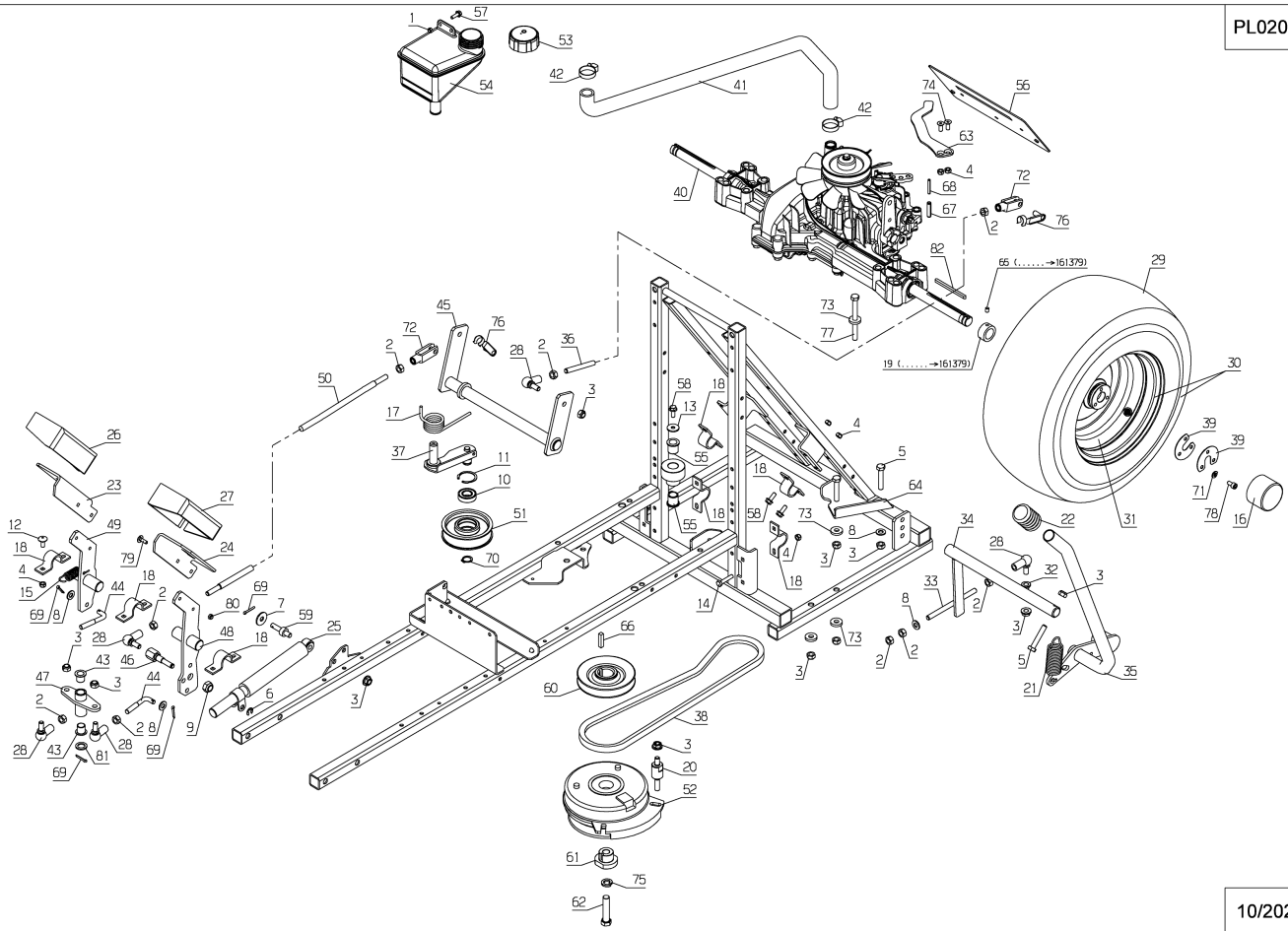


01/2013

Number	Part Number	Name	Quantity
1	37561	NUT	1,000
2	2020	NUT HM8	1,000
3	71205	SCREW M8	1,000
4	71201	NUT M6	1,000
5	5340	HEXAGON SCREW,DIN 9	1,000
6	5602	ANNEAU TRUARC	1,000
7	7035	FLAT WASHER	1,000
8	7335	WASHER	1,000
9	9017	NUT HM10	1,000
10	9022	BALL BEARING 6002	1,000
11	21256	CIRCLIP	1,000
12	21608	SCREW 6X16 DIN	1,000
13	22029	FLAT WASHER 6,5	1,000
14	22456	SCREW HM 6X40	1,000
15	24717	BRAKE SPRING	1,000
16	25176	WHEEL CAP	1,000
17	25511	UPPER BELT TIGHTENE	1,000
18	25711	STRAP	1,000
19	25728	BRAKE THRUST WASHER	1,000
20	52620	AXLE	1,000
21	28076	TENSION SPRING	1,000
22	28100	BRAKE LEVER HANDLE	1,000
23	28131	FORWARD PEDAL	1,000
24	28139	REVERSE PEDAL	1,000
25	28143	SHOCK ABSORBER	1,000
26	28167	COVERING FORW.PEDAL	1,000
27	28188	COVERING REV. PEDAL	1,000
28	28234	KNUCKLE M8	1,000
29	28445	REAR TYRE TREL	1,000
30	28479	REAR WHEEL GR. TREL	1,000
31	28483	REAR RIM GR. TR	1,000
32	28507	SPACER	1,000
33	28508	PARKING BRAKE ROD	1,000
34	28509	PARKING BRAKE TUBE	1,000
35	28512	PARKING BRAKE LEVER	1,000
36	28516	VORWARD DRIVE ROD	1,000
37	51189	BELT TIGHTENER	1,000
38	28525	BELT 955 MM	1,000
39	52175	SECURING RING	1,000
40	28529	HYDRO BOX K46	1,000
41	28532	PRE FORMED HOSE	1,000

Number	Part Number	Name	Quantity
42	28534	COLLAR 16-27	1,000
43	28555	SLEEVE 12/14/15	1,000
44	28556	PEDAL ROD	1,000
45	28558	FORW.DRIVE SHAFT.H.	1,000
46	28560	ROD PIN	1,000
47	28563	PLATE	1,000
48	28564	REV.PEDAL ROD ASSY	1,000
49	28566	FOR.PEDAL ROD ASSY	1,000
50	28605	ROD	1,000
51	35141	TENSIONNER PULLEY	1,000
52	35576	BLADE CLUTCH TG105	1,000
53	36382	PLUG 175	1,000
54	36569	COMPENSATION TANK	1,000
55	37059	BUSH JFM 141822-20	1,000
56	37506	BRACKET	1,000
57	37996	SCREW HM5-16 8.8	1,000
58	37997	SCREW HM6-16 8.8	1,000
59	50050	AXLE	1,000
60	50062	PULLEY	1,000
61	50084	STOP	1,000
62	50086	SCREW	1,000
63	50094	BY-PASS LEVER	1,000
64	50099	PLATE K46	1,000
65	71355	HEX.SCREW M6X10	1,000
66	71007	B-SHAPE KEY 6.35X6.	1,000
67	71013	SPIRAL PIN,DIN 1481	1,000
68	71014	SPIRAL PIN,DIN 1481	1,000
69	71018	V3,2 SPLIT PIN	1,000
70	71047	CIRCLIP DIN 471 15X	1,000
71	71049	SPRING WASHER,DIN 1	1,000
72	71077	YOKE DIN 71751 8X32	1,000
73	71126	FLAT WASHER,DIN 734	1,000
74	71137	BOLT M6X16	1,000
75	71159	WASHER 7/16"	1,000
76	71169	STUD 8X32	1,000
77	71199	SCREW HM8X90	1,000
79	71231	SCREW JM5-16	1,000
80	71308	LOCK NUT M5	1,000
81	71336	WASHER 13X20X2	1,000
82	71418	KEY 4,76X4,76X75	1,000

PL02001

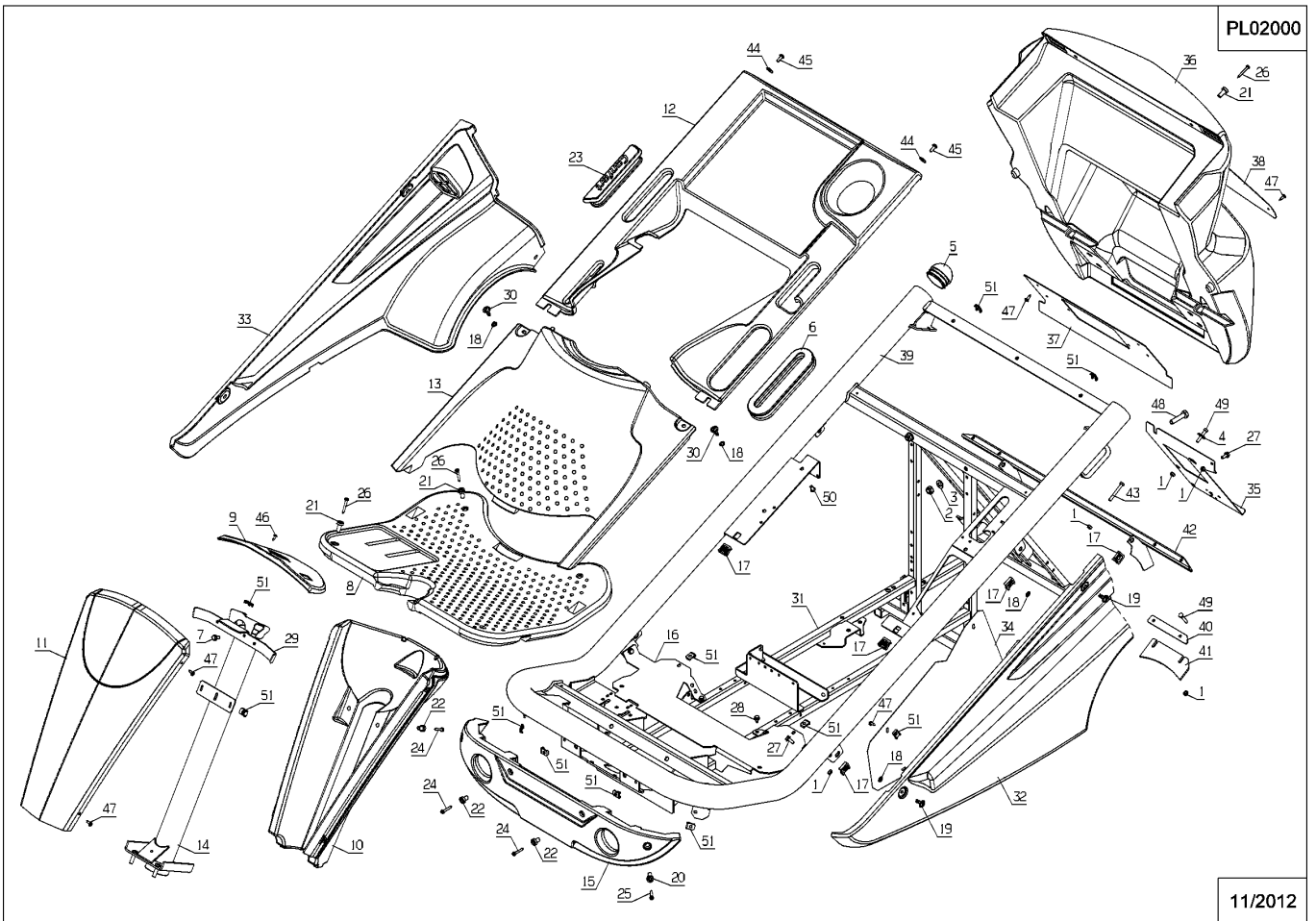


10/2023

Number	Part Number	Name	Quantity
1	71201	NUT M6	1,000
2	9017	NUT HM10	1,000
3	21036	FLAT WASHER 10.5	1,000
4	22029	FLAT WASHER 6,5	1,000
5	28056	TUBE CAP 60	1,000
6	28242	COVER CUTTING HEIGH	1,000
7	36489	SCREW XM6-12	1,000
8	36716	FLOOR	1,000
9	52503	DASHBOARD	1,000
10	36719	CONSOLE	1,000
11	36722	REAR CONSOLE WHITE	1,000
12	36723	REAR COVER WHITE	1,000
13	36724	FRONT COVER WHITE	1,000
14	36842	STEERING CONS.CPL.G	1,000
15	37328	STEERINGCOVER BLACK	1,000
16	37339	BRACKET	1,000
17	37499	1/4 ROTATION LOCK	1,000
18	37500	1/4 ROTATION WASHER	1,000
19	37501	1/4 ROTATION SCREW	1,000
20	37796	BUSH LG 29.7	1,000
21	37797	BUSH LG 20	1,000
22	37798	BUSH LG 13	1,000
23	37825	PLUG	1,000
24	37836	SCREW ST4.8-32,C	1,000
25	37837	SCREW ST4.8-45,C	1,000
26	37901	SCREW ST4.8-38,C	1,000
27	37997	SCREW HM6-16 8.8	1,000
28	38408	SCREW HM6-16 8,8	1,000
29	38422	REINFORCING PLATE	1,000
30	39230	LOCK 1/4 ROTATION	1,000
31	39517	FRAME	1,000
32	55109	BLACK COVER LEFT	1,000
33	55110	BLACK COVER RIGHT	1,000
34	39541	PROTECTION PLATE	1,000
35	39548	REAR PLATE	1,000
36	39549	REAR COVER MKM	1,000
37	39553	BRACKET	1,000
38	39554	PLATE	1,000
39	36721	FRAME DIA.60 GREEN	1,000
40	39935	REINFORCING PLATTE	1,000
41	39936	BOTTOM	1,000

Number	Part Number	Name	Quantity
42	39937	BRACKET	1,000
43	71023	SCREW HM 6X50	1,000
44	71096	WASHER B6,4	1,000
46	71111	TAPPING SCREW,DIN 7	1,000
48	71198	HEX.SCREW HM10X45	1,000
49	71259	SCREW HM6X35	1,000
50	71277	SCREW 60X12	1,000
51	71459	NUT	1,000

PL02000



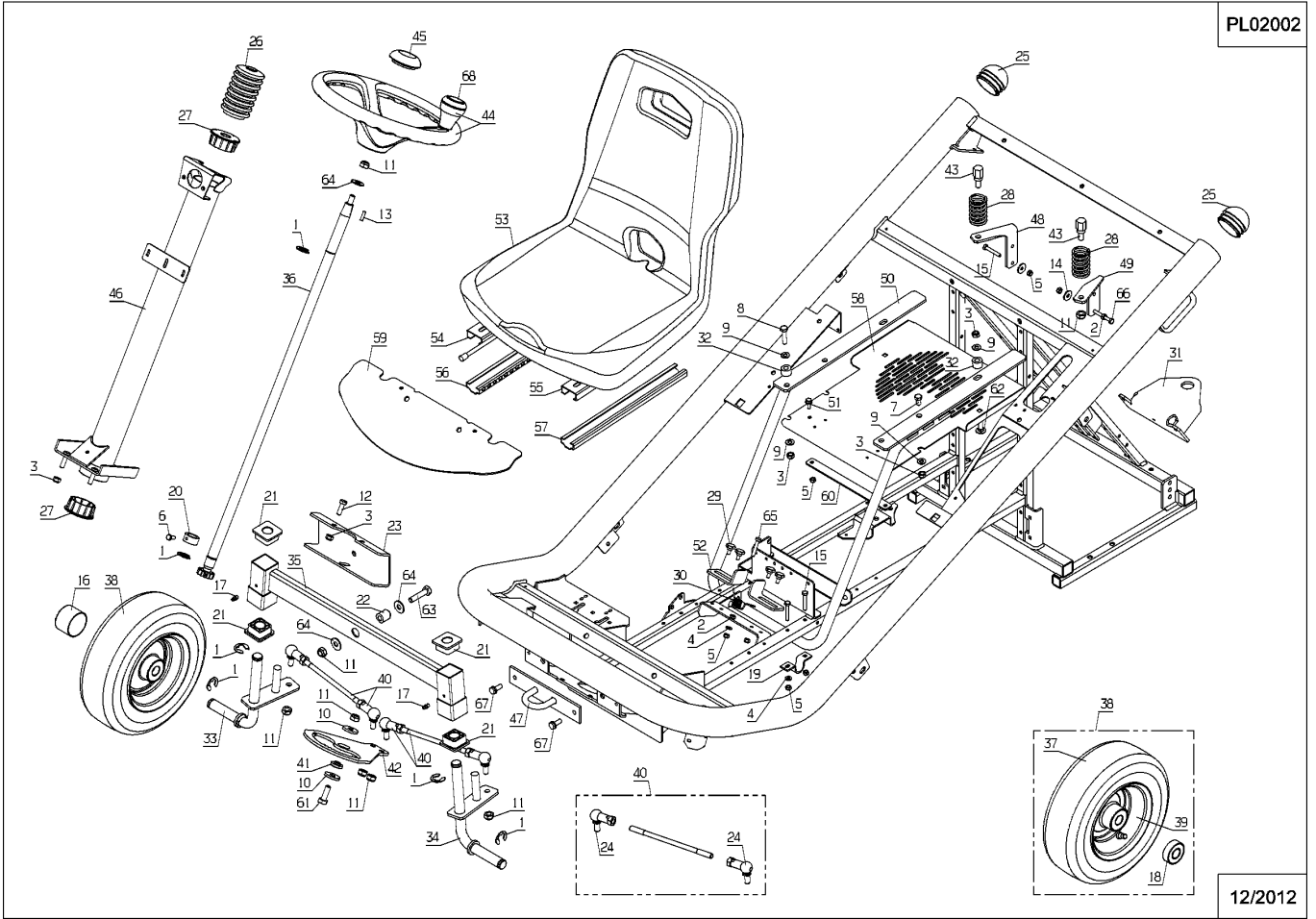
11/2012



Number	Part Number	Name	Quantity
1	1513	CIRCLIP 15	1,000
2	1557	NUT HM6	1,000
3	71205	SCREW M8	1,000
4	2235	WASHER A6.4	1,000
5	71201	NUT M6	1,000
6	37997	SCREW HM6-16 8.8	1,000
7	6169	SCREW HM8X16	1,000
8	7038	SCREW,DIN933 H M 8X	1,000
9	7335	WASHER	1,000
10	9009	WASHER	1,000
11	9017	NUT HM10	1,000
12	9056	BOLT 8X25	1,000
13	20606	KEY 5X5X20	1,000
14	22029	FLAT WASHER 6,5	1,000
15	22456	SCREW HM 6X40	1,000
16	25176	WHEEL CAP	1,000
17	25301	RH STD "HYDRAULIC"	1,000
18	25616	BEARING	1,000
19	25711	STRAP	1,000
20	25728	BRAKE THRUST WASHER	1,000
21	28024	GUIDE RING	1,000
22	28025	FRONT AXLE SPACER	1,000
23	28028	STEERING RING SUPP.	1,000
24	28047	STEER. KNUCKLE M10	1,000
25	28056	TUBE CAP 60	1,000
26	28110	BELLOWS	1,000
27	28111	CONSOLE GUIDE RING	1,000
28	28112	SEAT SPRING	1,000
29	28137	CATCH BOLT SP.SCREW	1,000
30	28206	SEAT BLOCAGE SPRING	1,000
31	28272	TOWING BRACKET	1,000
32	28296	SPACER	1,000
33	28401	RIGHT STUB AXLE	1,000
34	28402	LEFT STUB AXLE	1,000
35	28403	FRONT AXLE	1,000
36	28430	STEERING COLUMN	1,000
37	28444	FRONT TYRE 6"	1,000
38	28478	FRONT WHEEL GR. 6"	1,000
39	28482	FRONT RIM GR. 6"	1,000
40	28536	STEERING ROD	1,000
41	28608	SPACER	1,000

Number	Part Number	Name	Quantity
42	28609	DRIVE CROWN GEAR	1,000
43	28645	SEAT STOP	1,000
44	29900	STEERING WHEEL	1,000
45	29978	STEERING WHEEL CAP	1,000
46	36842	STEERING CONS.CPL.G	1,000
47	37289	HOOK	1,000
48	53011	CORNER SEAT RIGHT	1,000
49	53012	CORNER SEAT LEFT	1,000
50	37812	SEAT BRACKET	1,000
52	38056	SEAT STOP	1,000
53	38057	SEAT	1,000
54	38744	SEAT GUIDE RIGHT	1,000
55	38745	SEAT GUIDE LEFT	1,000
56	38746	SEAT GUIDE RIGHT	1,000
57	38747	SEAT GUIDE LEFT	1,000
58	50013	SEAT PLATE MKM	1,000
59	50096	PROTECTION RUBBER	1,000
60	50097	RUBBER FIXING	1,000
61	71110	HEXAGON SCREW,DIN 9	1,000
62	71118	SCREW 8X35	1,000
63	71198	HEX.SCREW HM10X45	1,000
64	71238	WASHER A10,2	1,000
65	71259	SCREW HM6X35	1,000
66	71288	SCREW HM6X60 8.8	1,000
67	71413	SCREW HM 8-20	1,000
68	29923	STEERING WHEEL GAIT	1,000

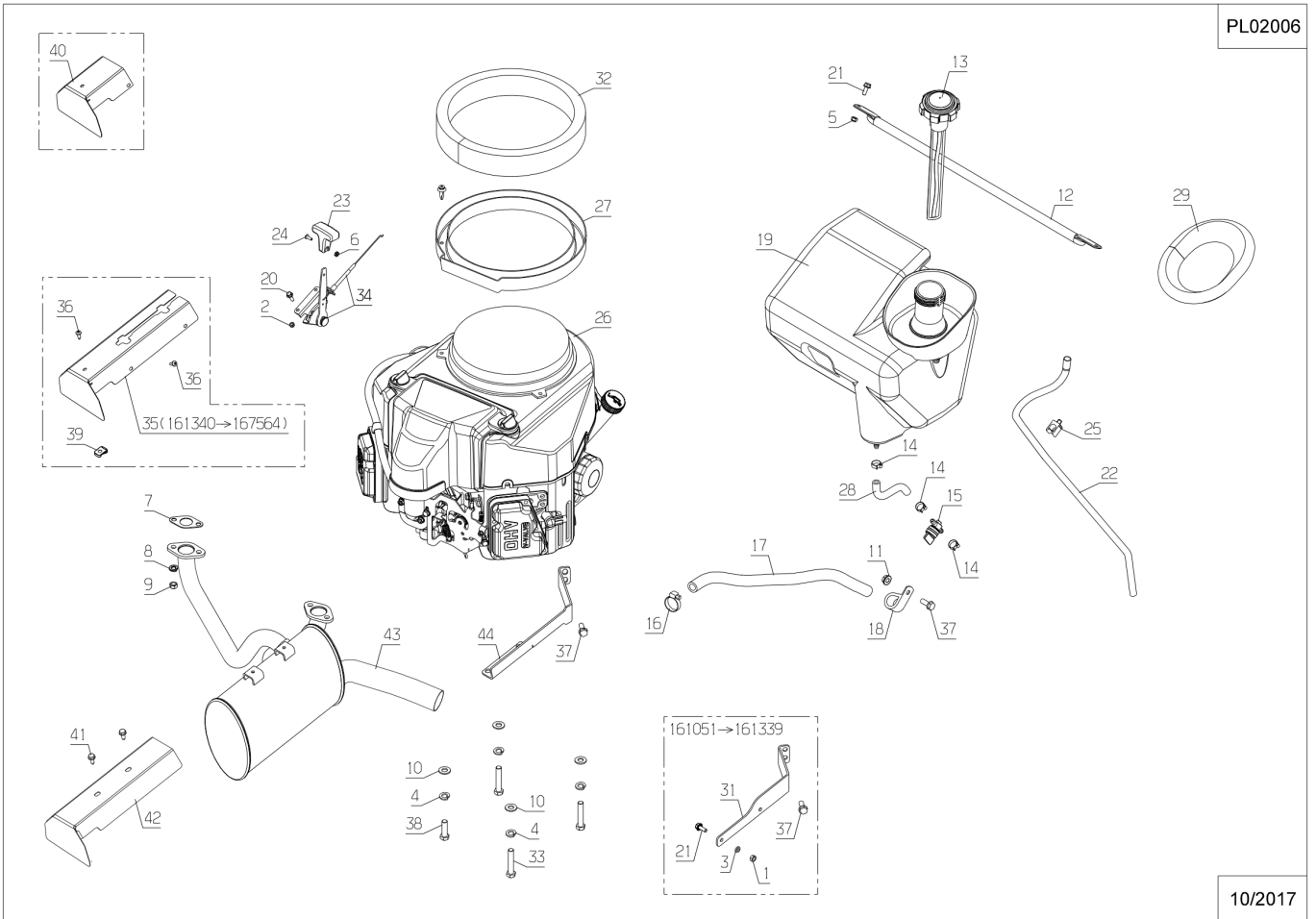
PL02002



12/2012

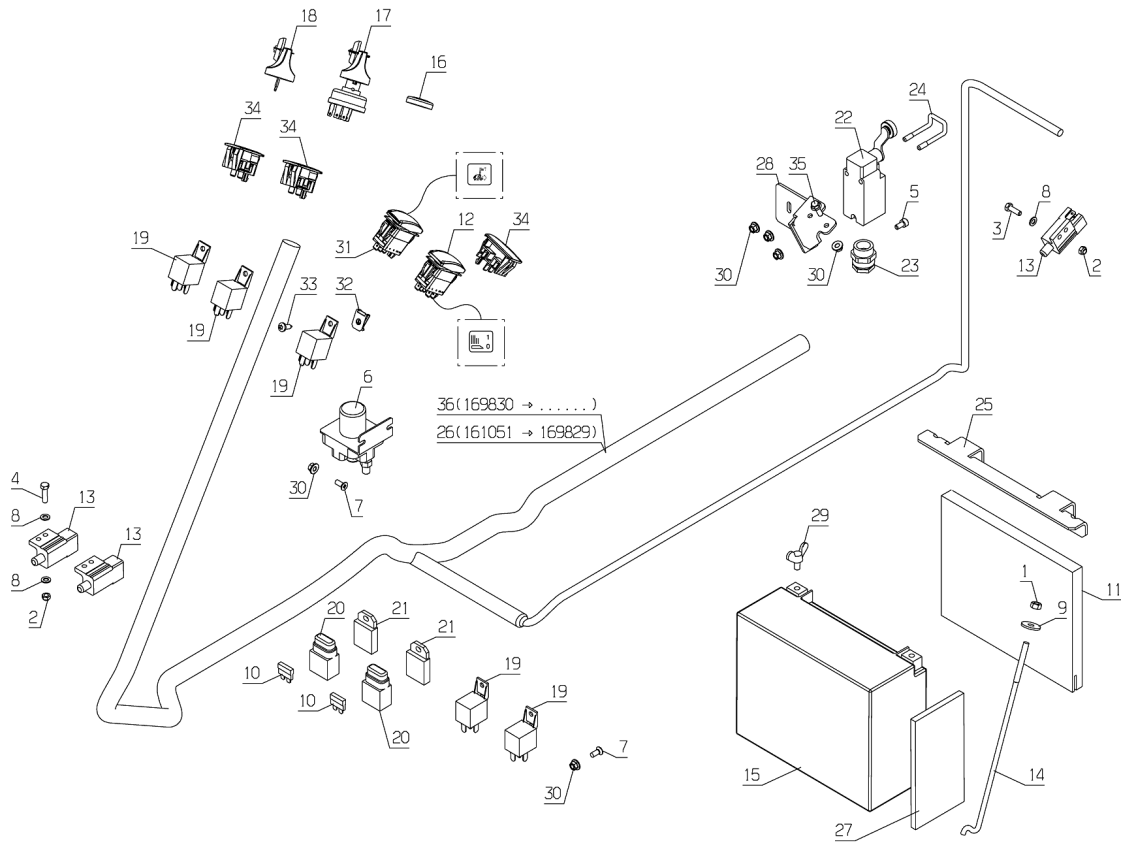
Number	Part Number	Name	Quantity
1	1557	NUT HM6	1,000
2	37561	NUT	1,000
3	71049	SPRING WASHER,DIN 1	1,000
4	71052	SPRING WASHER,DIN 1	1,000
5	71201	NUT M6	1,000
6	5488	NUT HM 4.8	1,000
7	15261	MUFFLER GASKET	1,000
8	15848	SPRING WASHER	1,000
9	15849	HEX NUT	1,000
10	21036	FLAT WASHER 10.5	1,000
11	71205	SCREW M8	1,000
12	28052	CROSSPIECE	1,000
13	28055	PETROL GAUGE	1,000
14	28323	HOSE HAND CLIP	1,000
15	28324	FUEL STOP VALVE	1,000
16	28534	COLLAR 16-27	1,000
17	28703	HOSE HG 710	1,000
18	30165	CLAMP DIA.20	1,000
19	37809	FUEL TANK	1,000
20	37996	SCREW HM5-16 8.8	1,000
21	37997	SCREW HM6-16 8.8	1,000
22	38000	HOSE	1,000
23	38127	THROTTLE LEVER	1,000
24	38130	SCREW M4X12,4.6	1,000
25	38273	CLIP DIAM 12	1,000
26	38403	ENGINE KAWA FS481V	1,000
27	38447	BRACKET	1,000
28	39194	FUEL HOSE	1,000
29	39273	TANK FOAM	1,000
30	39435	-> 51591 + 51593	1,000
31	39510	MUFFLER BRACKET	1,000
32	39730	BELLOW FOAM	1,000
33	39921	SCREW	1,000
34	50021	THROTTLE KIT	1,000
35	50854	HOT PROTECTION	1,000
36	71111	TAPPING SCREW,DIN 7	1,000
37	71413	SCREW HM 8-20	1,000
38	71454	SCRW.HUNC 3/8"1"1/4	1,000
39	71459	NUT	1,000
40	39764	PLATE	1,000
41	38408	SCREW HM6-16 8,8	1,000

Number	Part Number	Name	Quantity
42	52688	HOT PROTECT. PLATE	1,000
43	52687	MUFFLER	1,000
44	52689	MUFFLER FAST. LUG.	1,000



Number	Part Number	Name	Quantity
1	1557	NUT HM6	1,000
2	37561	NUT	1,000
3	2009	BOLT M5X16	1,000
4	5071	BOLT HM 5X20	1,000
5	5464	BOLT M5X10	1,000
6	16604	RELAY STARTER KIT	1,000
7	20563	SCREW M5 X 12	1,000
8	20564	WASHER 5,5	1,000
9	22029	FLAT WASHER 6,5	1,000
10	25828	FUSE 25A 12V	1,000
11	28015	BATTERY HEAT PROTEC	1,000
12	52494	SWITCH	1,000
13	28159	SWITCH	1,000
14	28164	BATTERY CLAMP ROD	1,000
15	52101	BATTERY	1,000
16	28382	KEY CONTACT. EMBEL.	1,000
17	28384	KEY CONTACTOR	1,000
18	28388	SET OF 2 KEY	1,000
19	28392	WATERPROOF RELAY	1,000
20	28582	PLUG FUSE HOLDER	1,000
21	28594	BRACKET	1,000
22	29257	SAFETY SWITCH	1,000
23	29789	CONTACTOR GROMMET	1,000
24	35213	SWITCH FIXING	1,000
25	35675	BATTERY ANGLE BRACK	1,000
26	39303	ELEC.WIRING.MKM	1,000
27	52788	ISOLATOR BATTERY	1,000
28	50083	SEATSWIT.BRACKET	1,000
29	71236	WING SCREW M6X12	1,000
30	71200	SCREW M5	1,000
31	52495	SWITCH ON/OFF/ON	1,000
32	71459	NUT	1,000
33	71111	TAPPING SCREW,DIN 7	1,000
34	52505	FRAME CONVER	1,000
35	37996	SCREW HM5-16 8.8	1,000
36	51669	ELECTRIC.WIRING MKM	1,000

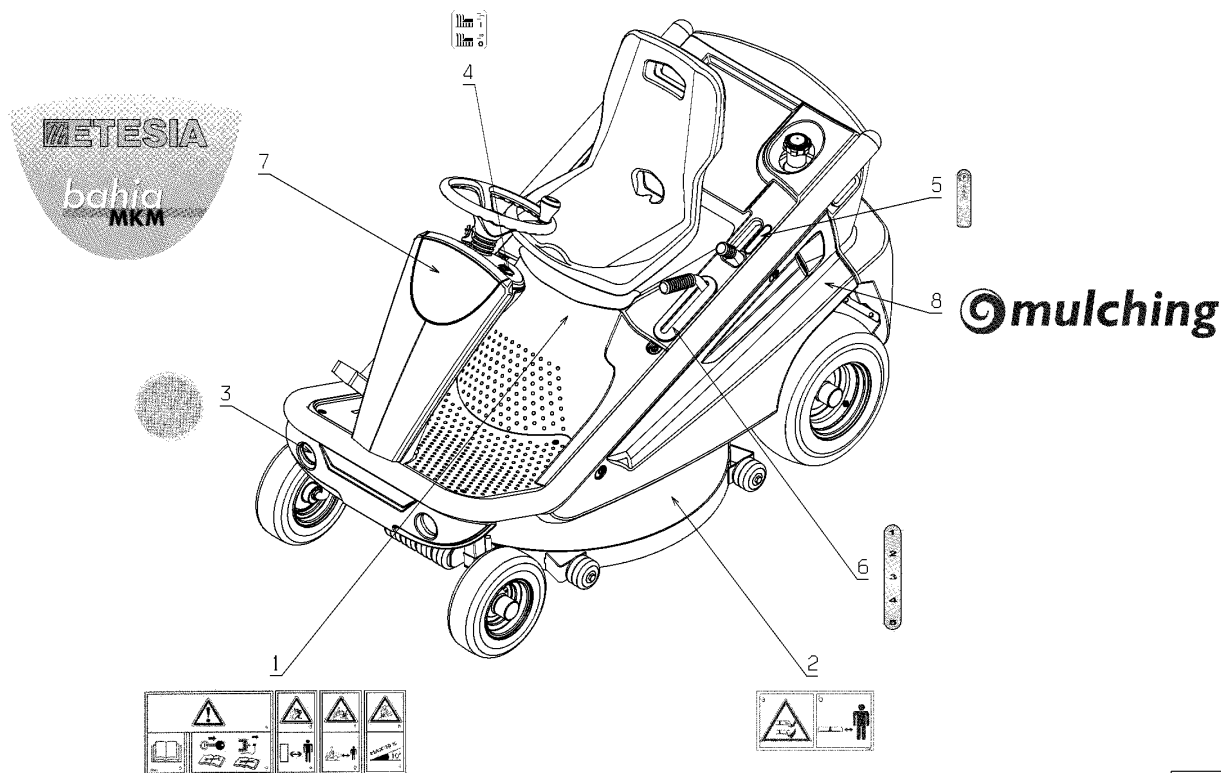
PL02007



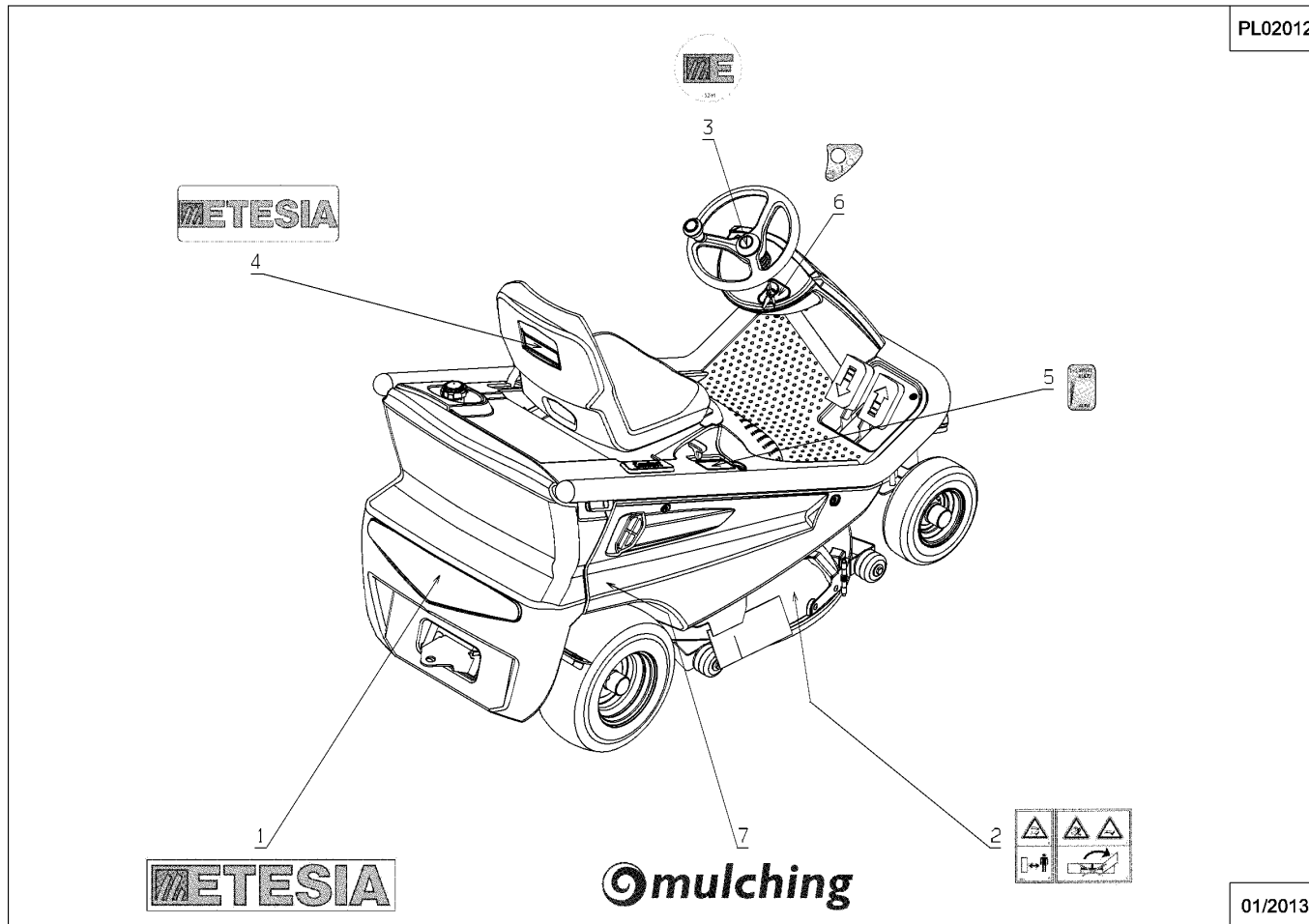
10/2021



Number	Part Number	Name	Quantity
1	13021	STICKER	1,000
2	13062	STICKER CUT-DECK	1,000
3	35866	STICKER - BLINKER	1,000
4	37831	STICKER - BLADES	1,000
5	52810	KIT STICKERS	1,000
7	54525	MKM STICKER	1,000
8	39932	STICKER	1,000



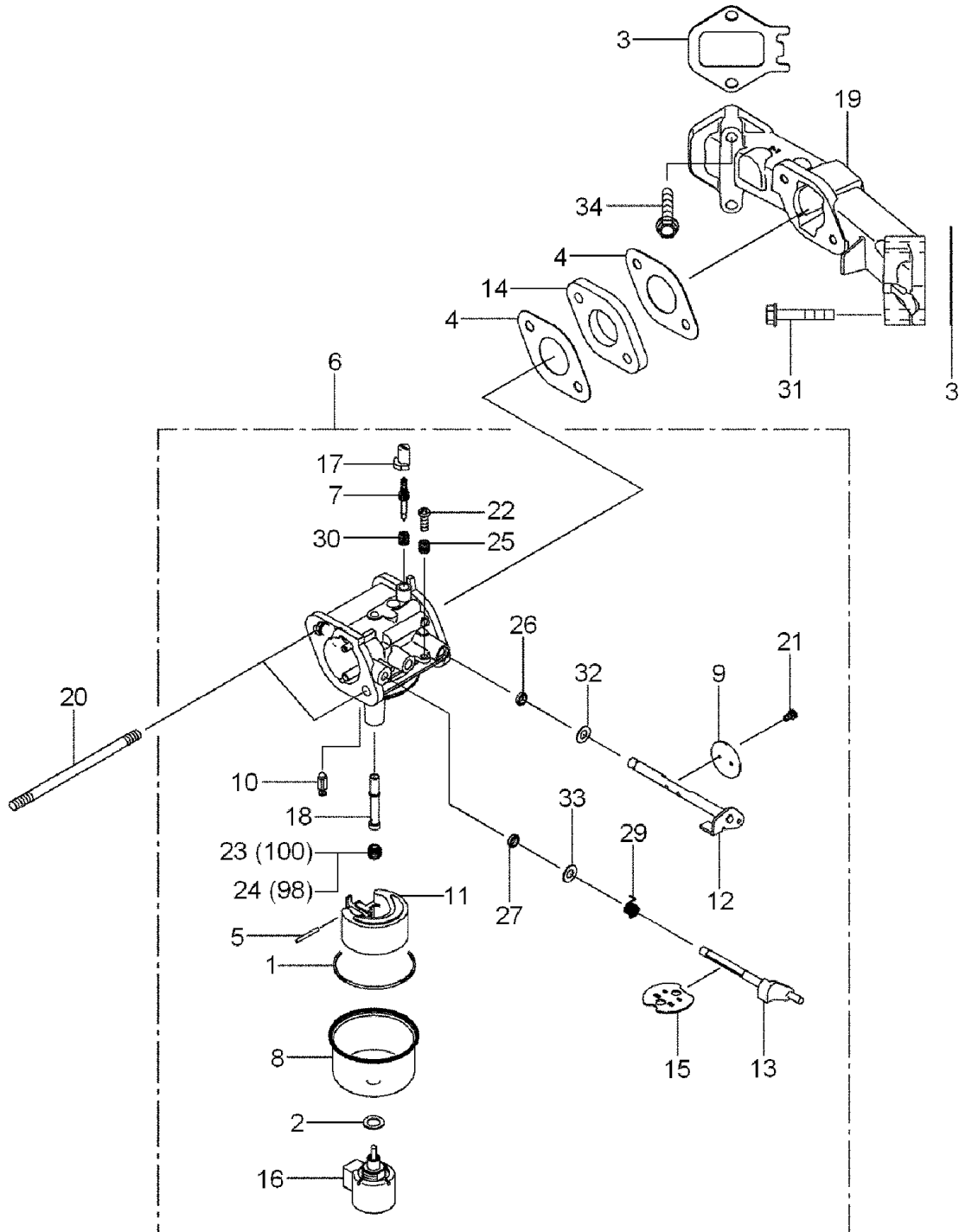
Number	Part Number	Name	Quantity
1	13021	STICKER	1,000
2	13062	STICKER CUT-DECK	1,000
3	35866	STICKER - BLINKER	1,000
4	37831	STICKER - BLADES	1,000
5	52810	KIT STICKERS	1,000
7	54525	MKM STICKER	1,000



Number	Part Number	Name	Quantity
1	18130	GASKET	1,000
2	18131	GASKET	1,000
3	15263	GASKET	1,000
4	15266	GASKET	1,000
5	18154	FLOAT AXLE	1,000
6	15290	CARBURETOR	1,000
7	15291	ADJUSTING SCREW	1,000
8	18169	FLOAT CHAMBER	1,000
9	18170	GASKLAPPE	1,000
10	18171	VALVE FLOAT	1,000
11	18172	FLOAT	1,000
12	18174	ACC.THROTTLE SHAFT	1,000
13	15292	THROTTLE SHAFT	1,000
14	18288	INSULATEUR	1,000
15	15298	VALVE CHOKE	1,000
16	18295	SOLENOIDE	1,000
17	18195	RING	1,000
18	15393	CHOKE TUBE	1,000
19	15399	INTAKE MANIFOLD	1,000
20	15420	ROD 6X98	1,000
21	18219	SCREW	1,000
22	18220	SCREW	1,000
23	18350	GICLEUR 100	1,000
24	18351	GICLEUR 98	1,000
25	18006	SPRING	1,000
26	15490	GASKET	1,000
27	15493	GASKET	1,000
29	15497	SPRING	1,000
30	18246	SPRING	1,000
31	15503	SCREW 6X37	1,000
32	15515	WASHER	1,000
33	18008	GASKET	1,000
34	18343	VIS	1,000

KAWASAKI  
FS481V

PL01989

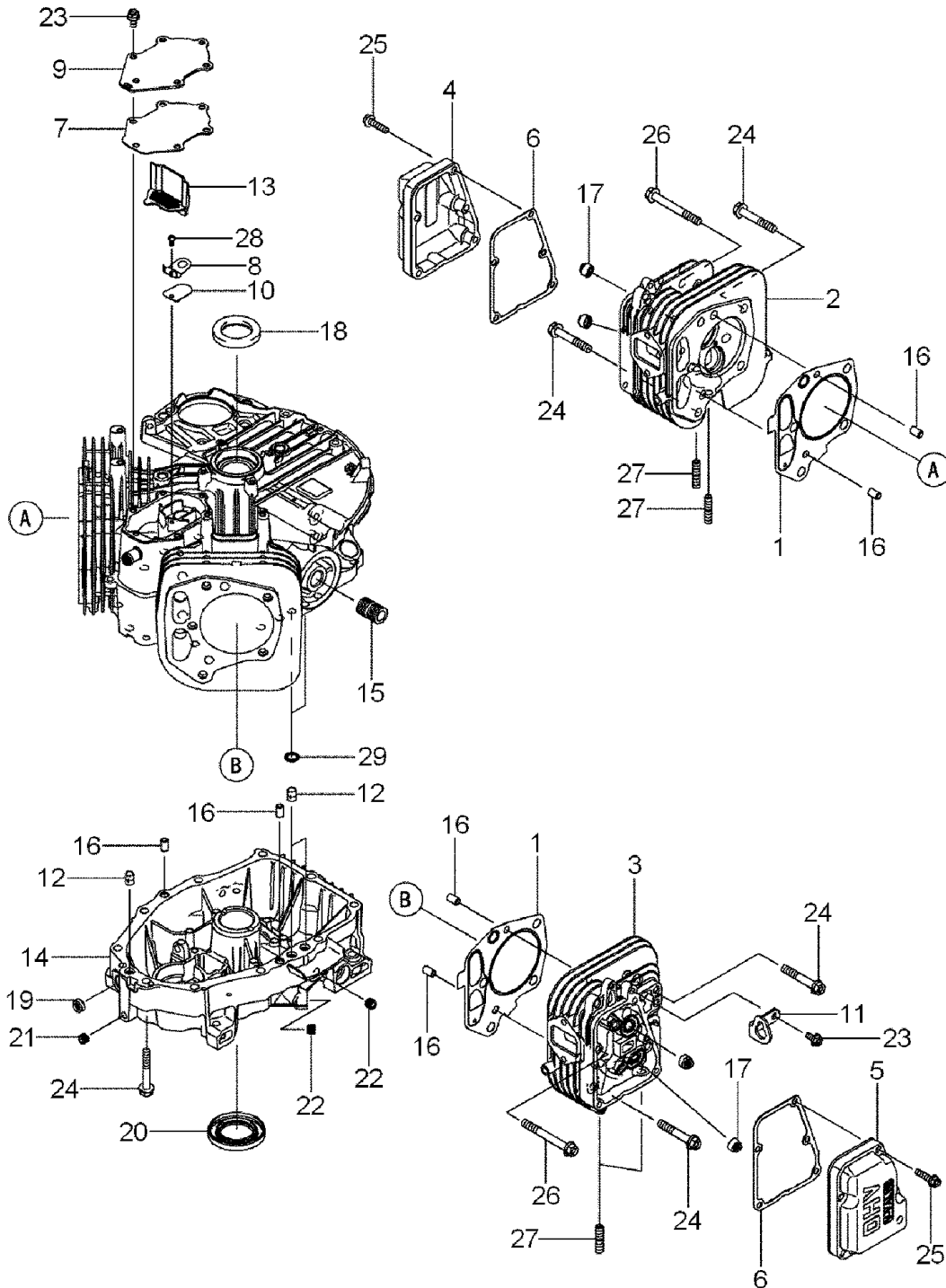


10/2012

Number	Part Number	Name	Quantity
1	15252	CYLIND.HEAD GASKET	1,000
2	15253	CYLINDER HEAD 1	1,000
3	15254	CYLINDER HEAD 2	1,000
4	15256	CYLIND.HEAD COVER 1	1,000
5	15257	CYLIND.HEAD COVER 2	1,000
6	15262	CYL.HEAD COV.GASKET	1,000
7	15264	GASKET	1,000
8	15285	PLATE	1,000
9	15289	COVER	1,000
10	15294	BREATHER	1,000
11	15336	HOOK	1,000
12	15361	CHANNEL	1,000
13	15362	AIR CHANNEL	1,000
14	15379	LOWER CRANKCASE	1,000
15	15398	GASKET	1,000
16	15623	CENTRING STUD	1,000
17	18228	OIL SEAL 6X11X10,2	1,000
18	18230	OIL SEAL 35X48X8	1,000
19	15429	GASKET 8X14X5	1,000
20	15430	GASKET 38X62X8	1,000
21	15470	PLUG	1,000
22	15471	PLUG	1,000
23	18332	VIS	1,000
24	18355	VIS	1,000
25	15277	SCREW 6X25	1,000
26	15279	SCREW 8X70	1,000
27	18180	STUD	1,000
28	18188	SCREW	1,000
29	15414	O-RING	1,000

KAWASAKI  
FS481V

PL01982



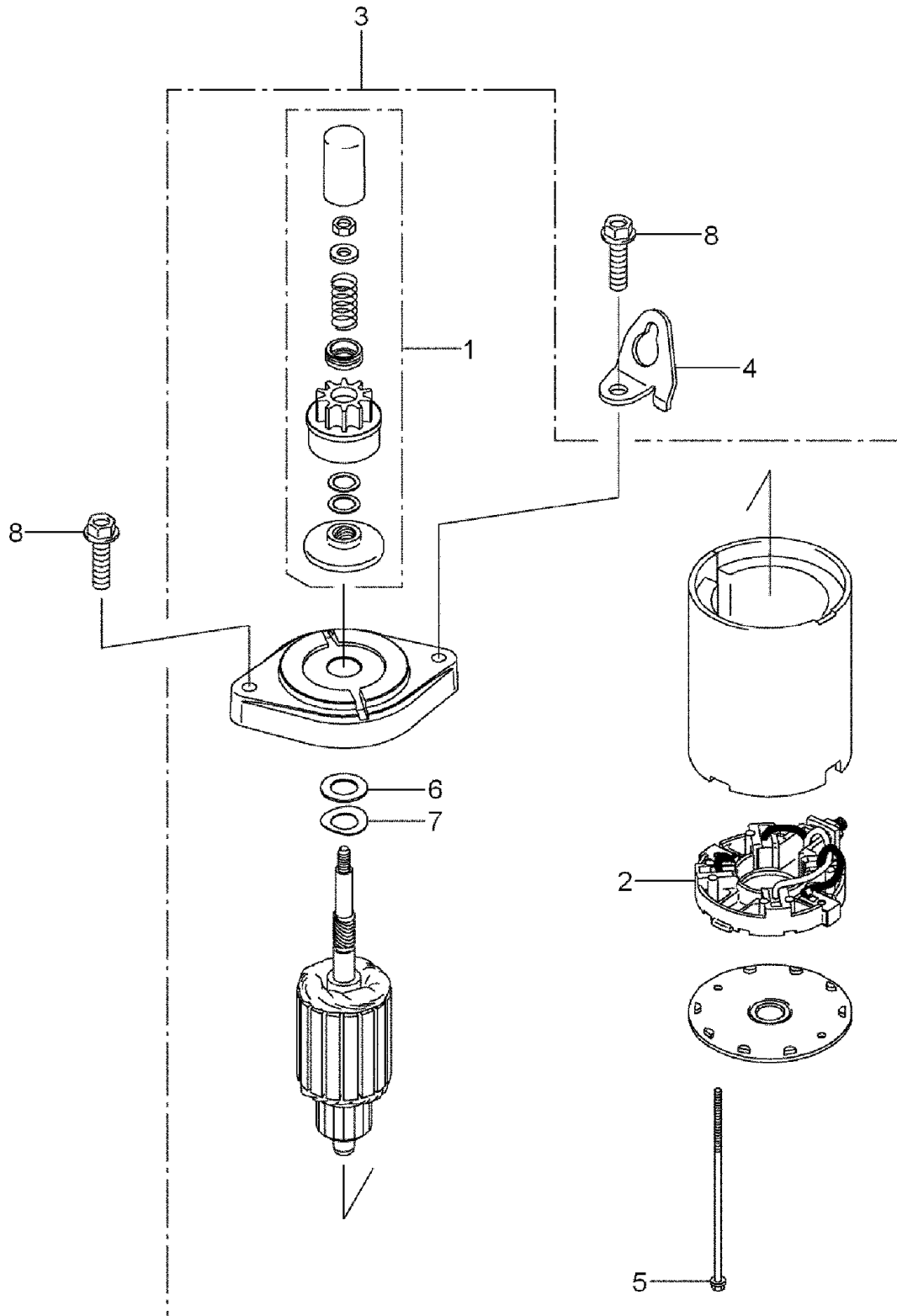
10/2012



Number	Part Number	Name	Quantity
1	15280	GEAR ASSY	1,000
2	18181	CARBON BRUSH	1,000
3	15313	STARTER	1,000
4	15348	HOOK	1,000
5	18360	STARTER SCREW	1,000
6	15518	WASHER	1,000
7	15519	WASHER	1,000
8	15691	SCREW	1,000

KAWASAKI  
FS481V

PL01992

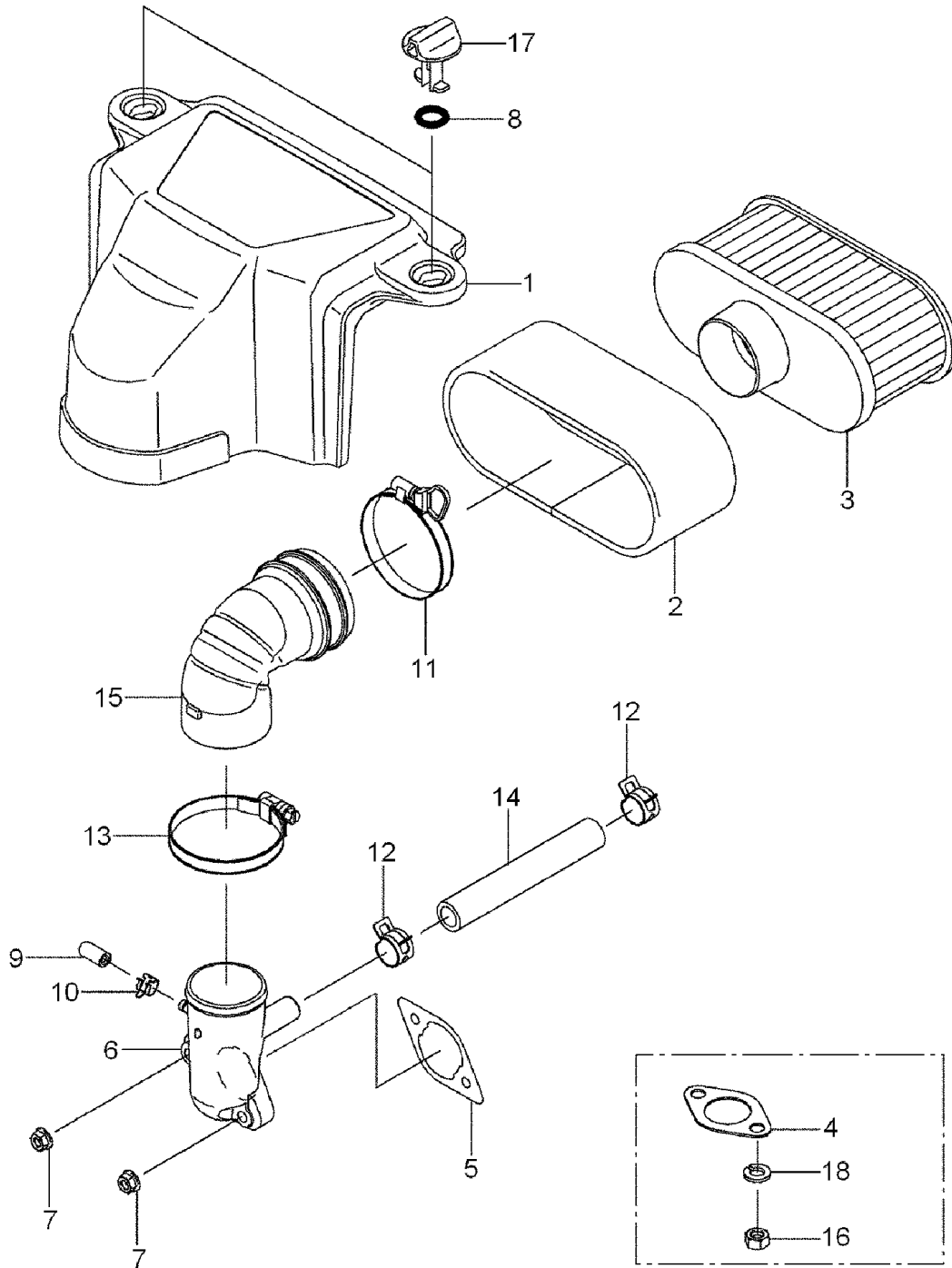


10/2012

Number	Part Number	Name	Quantity
1	15255	AIR FILTER COVER	1,000
2	18361	PREFILTER	1,000
3	18362	LUFTFILTER	1,000
4	15261	MUFFLER GASKET	1,000
5	15265	GASKET	1,000
6	15293	INTAKE PIPE	1,000
7	18222	NUT	1,000
8	15450	O-RING	1,000
9	15469	PLUG	1,000
10	15504	COLLAR	1,000
11	15507	COLLAR	1,000
12	15508	COLLAR	1,000
13	15509	COLLAR	1,000
14	15510	HOSE	1,000
15	15512	INTAKE PIPE	1,000
16	18342	ECROU	1,000
17	15521	FILTER COVER SCREW	1,000
18	15848	SPRING WASHER	1,000

KAWASAKI  
FS481V

PL01990

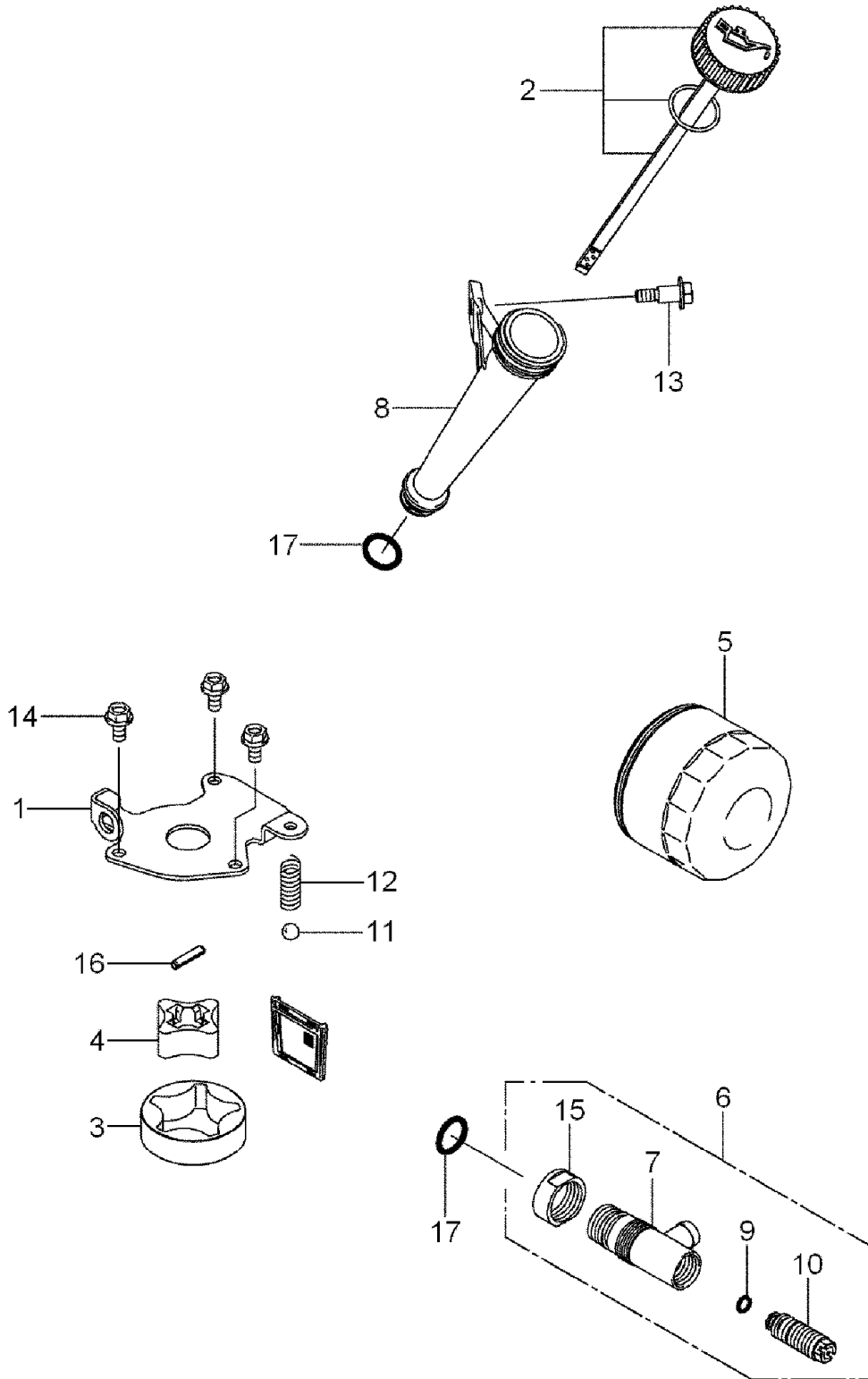


10/2012

Number	Part Number	Name	Quantity
1	15286	PUMP COVER	1,000
2	15288	OIL GAUCHE	1,000
3	15295	PUMP BODY	1,000
4	15296	PUMP	1,000
5	18363	OIL FILTER	1,000
6	36026	COCK	1,000
7	18317	CORPS ROBINET	1,000
8	15413	FILLING TUBE	1,000
9	18327	JOINT	1,000
10	18328	BOUCHON DE VIDANGE	1,000
11	18240	STEEL BALL	1,000
12	18242	SPRING	1,000
13	18250	SCREW	1,000
14	18332	VIS	1,000
15	18340	ECROU	1,000
16	15394	PIN 4X20	1,000
17	15686	O-RING	1,000

KAWASAKI  
FS481V

PL01985

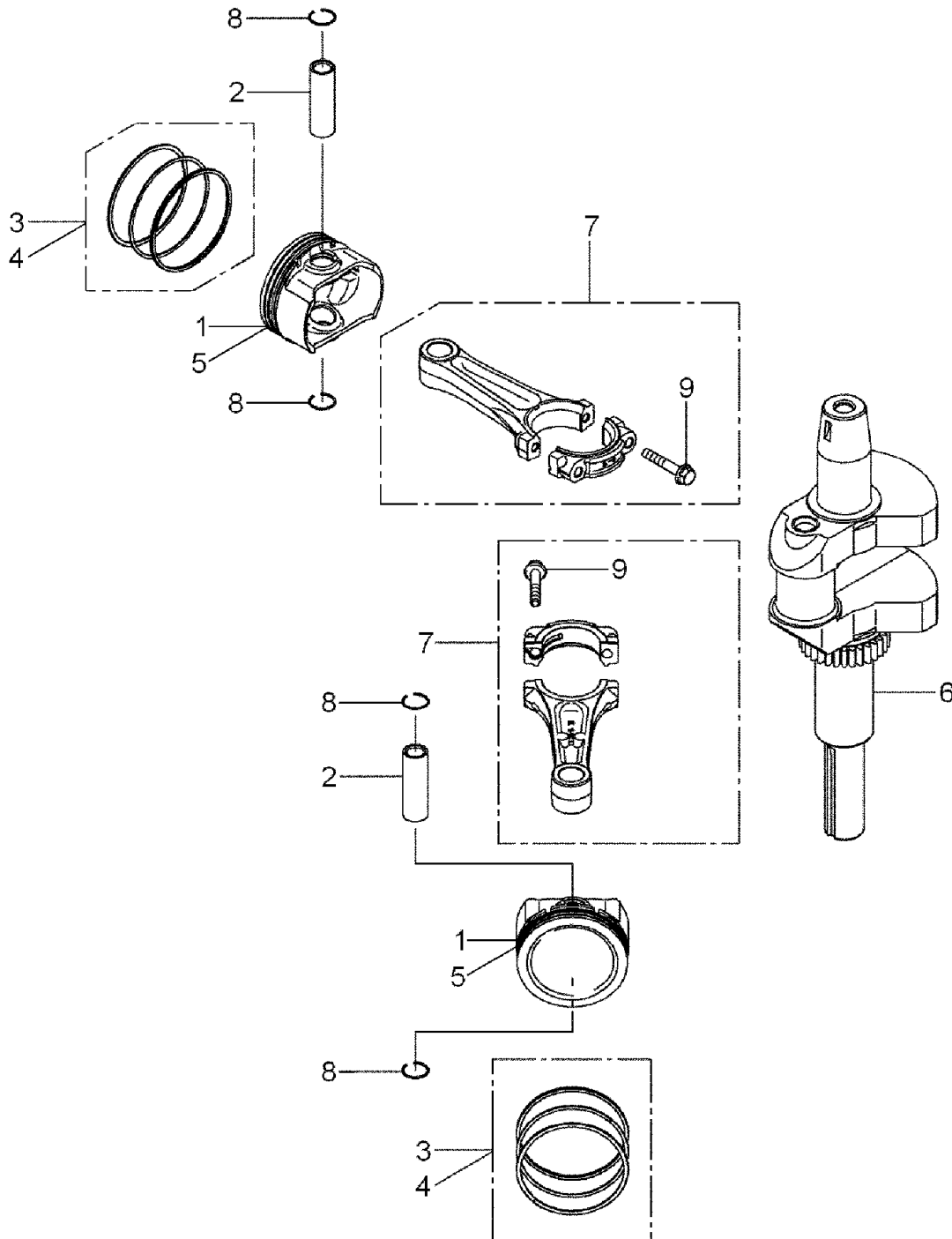


10/2012

Number	Part Number	Name	Quantity
1	15270	PISTON	1,000
2	18140	PISTON PIN	1,000
3	15271	RING SET	1,000
4	15272	RING SET 0,5	1,000
5	15273	PISTON 0,5	1,000
6	15274	CRANKSHAFT	1,000
7	15283	CONNECT.ROD ASSY	1,000
8	18225	RING SNAP	1,000
9	18331	VIS	1,000

KAWASAKI  
FS481V

PL01983



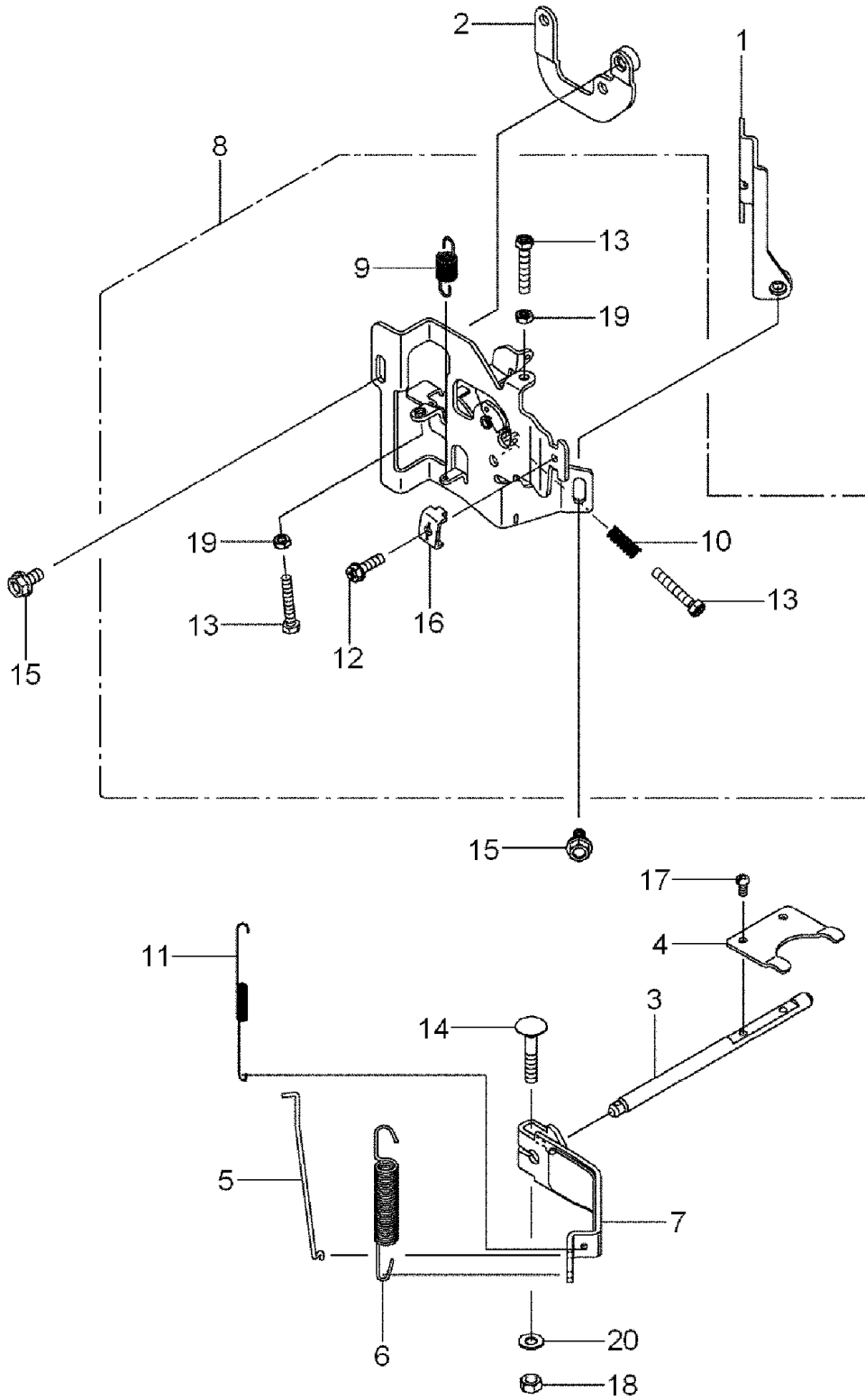
10/2012



Number	Part Number	Name	Quantity
1	15259	BRACKET	1,000
2	15260	BRACKET	1,000
3	15281	SHAFT	1,000
4	15284	SHEET PLATE	1,000
5	15297	ROD	1,000
6	15363	SPRING	1,000
7	15390	LEVER	1,000
8	15391	CONTROL PANEL	1,000
9	15494	SPRING	1,000
10	18245	SPRING	1,000
11	15498	SPRING	1,000
12	15753	SCREW	1,000
13	15499	SCREW 5X30	1,000
14	18248	SCREW	1,000
15	18332	VIS	1,000
16	18254	GUARD	1,000
17	18188	SCREW	1,000
18	18193	NUT	1,000
19	15351	NUT 5MM	1,000
20	15340	FLAT WASHER	1,000

KAWASAKI  
FS481V

PL01988



10/2012

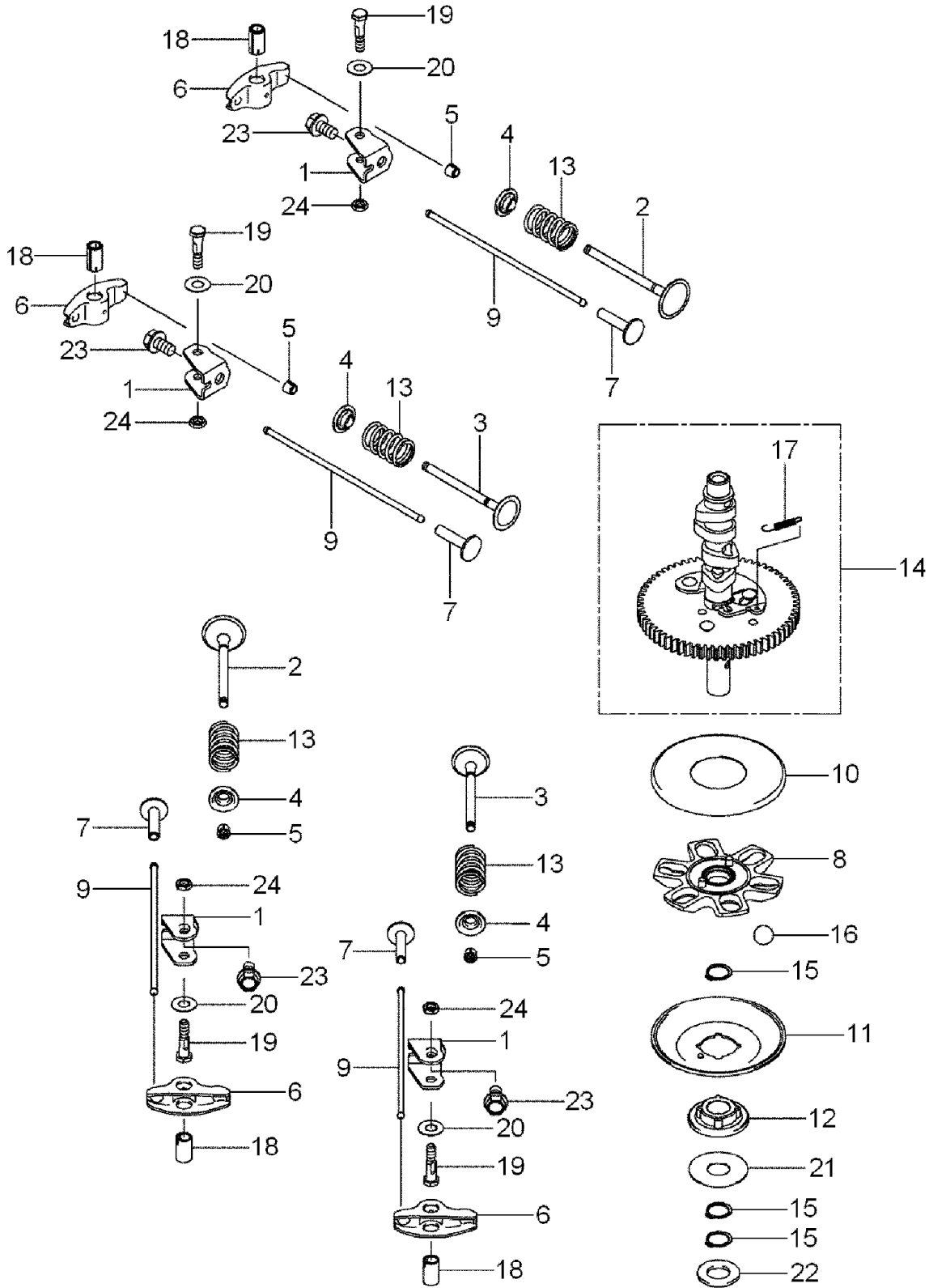
Number	Part Number	Name	Quantity
1	15364	BUSH	1,000
2	25266	FILTER FUEL	1,000
3	15380	FUEL PUMP	1,000
4	15421	SCREW	1,000
5	18253	CLAMP	1,000
6	15505	COLLAR	1,000
7	15506	COLLAR	1,000
8	15511	HOSE 150MM	1,000
9	15513	HOSE 185MM	1,000
10	15514	HOSE 375MM	1,000



Number	Part Number	Name	Quantity
1	15258	BRACKET	1,000
2	15267	INTAKE VALVE	1,000
3	15268	EXHAUST VALVE	1,000
4	18135	WASHER	1,000
5	18136	PELLET	1,000
6	15269	ROCKER ARM	1,000
7	18138	LIFTER ARM	1,000
8	15275	GUIDE	1,000
9	15282	PUSH ROD	1,000
10	18159	PLATE	1,000
11	18162	PLATE GOVERNOR	1,000
12	15365	BUSH	1,000
13	15381	SPRING	1,000
14	15392	CAMSHAFT	1,000
15	18224	SNAP RING	1,000
16	18239	STEEL BALL	1,000
17	18241	SPRING	1,000
18	15500	BUSH	1,000
19	15501	SCREW 6X29,5	1,000
20	15516	WASHER 8,1X18X0,5	1,000
21	15517	WASHER 16X42X0,91	1,000
22	15520	WASHER	1,000
23	15278	SCREW 8X14	1,000
24	15354	NUT 6MM	1,000

KAWASAKI  
FS481V

PL01984

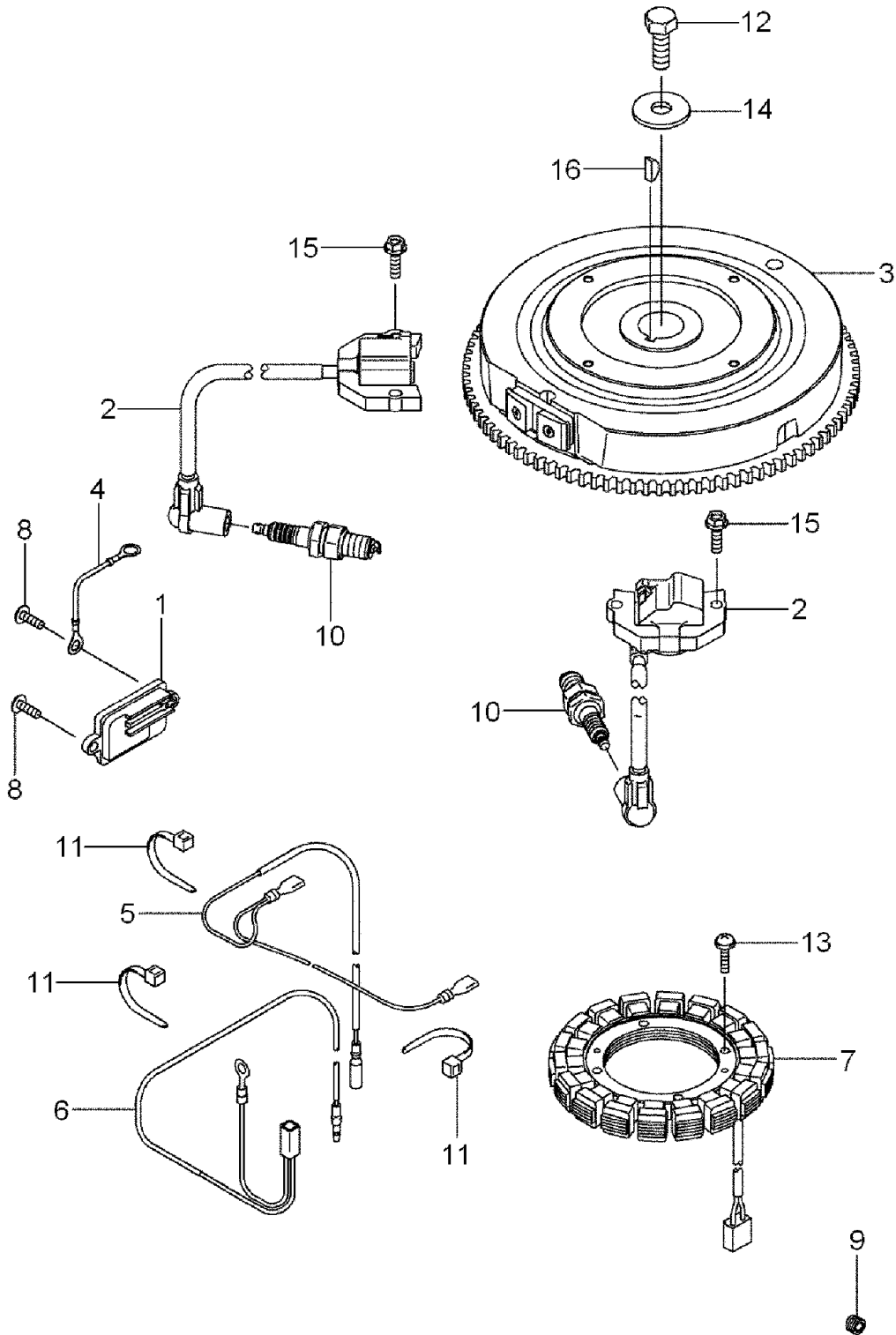


10/2012

Number	Part Number	Name	Quantity
1	15299	REGULATOR	1,000
2	15329	COIL	1,000
3	15330	FLYWHEEL	1,000
4	15333	CABLE	1,000
5	15334	WIRING	1,000
6	15335	WIRING	1,000
7	15395	ALTERNATOR	1,000
8	15421	SCREW	1,000
9	15471	PLUG	1,000
10	18364	SPARK PLUG FS481V	1,000
11	18329	COLLIER	1,000
12	15502	SCREW 12X30	1,000
13	18333	VIS	1,000
14	18260	WASHER	1,000
15	15276	SCREW 6X20	1,000
16	18209	KEY	1,000

KAWASAKI  
FS481V

PL01987



10/2012