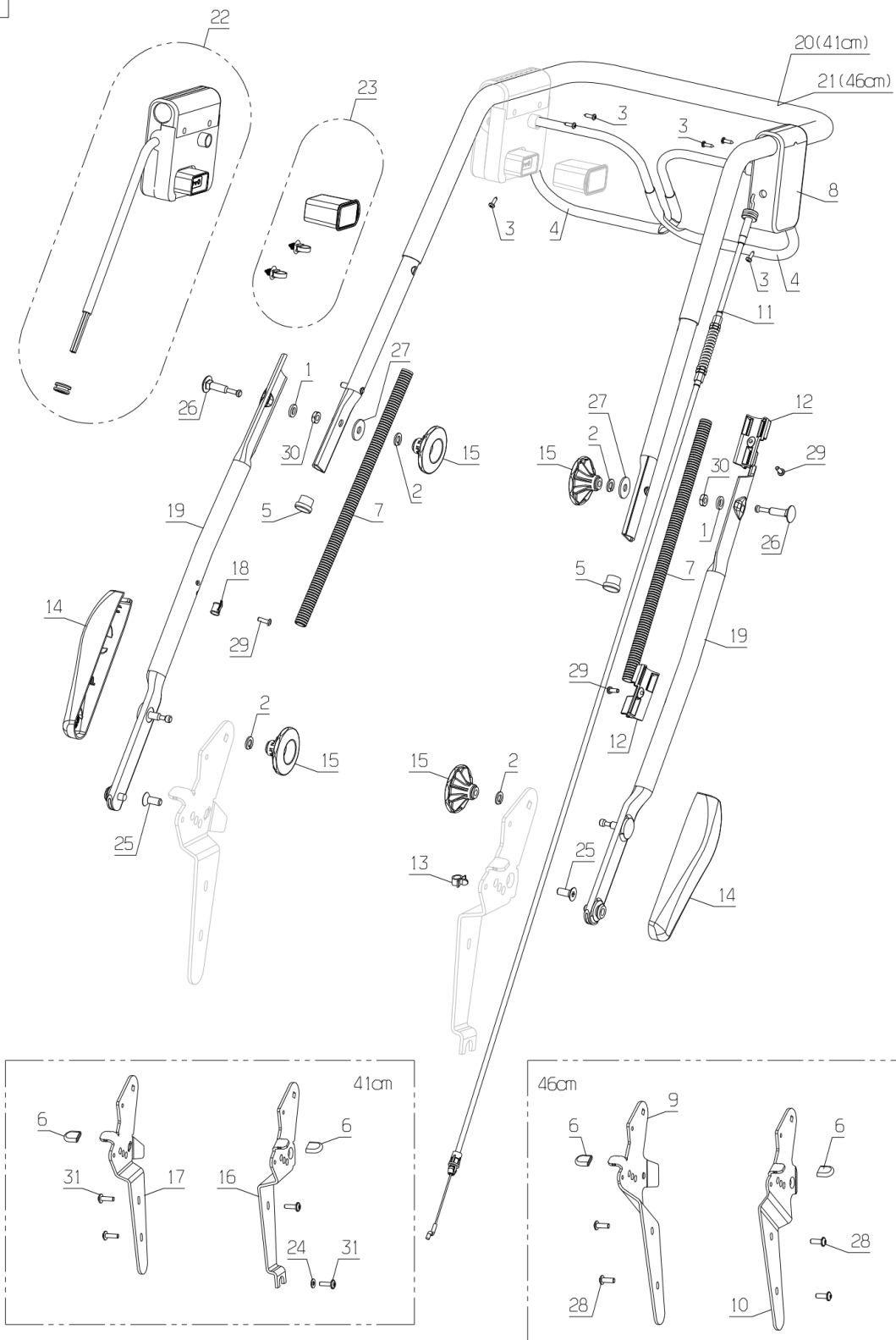


Number	Part Number	Name	Quantity
1	71343	SPRING WASHER A8	1,000
2	6416	WASHER	1,000
3	7095	SCREW Z ST3,5X13,4	1,000
4	22215	BOW	1,000
5	32071	TUBE CAP	1,000
6	35778	HANDLE BAR STOP	1,000
7	36779	RING	1,000
8	37271	BEARING D.24	1,000
9	37295	RIGHT ARM	1,000
10	37296	LEFT ARM	1,000
11	38502	DRIVE CABLE	1,000
12	38957	CABLE GUIDE	1,000
13	39758	CLIP	1,000
14	39846	COVERING	1,000
15	41433	HANDLE BAR LOCK2001	1,000
16	50663	ARM LEFT BLACK	1,000
17	50664	ARM RIGHT BLACK	1,000
18	51750	COLLAR DIAM.9	1,000
19	52088	L.HANDLEBAR RM41/46	1,000
20	52108	HANDLEBAR RM41	1,000
21	-	-	1,000
22	52314	BREAKER	1,000
23	52315	SAFETY KEY	1,000
24	71075	WASHER	1,000
25	71122	SCREW 8X20	1,000
26	71140	SCREW M8X45	1,000
27	71274	WASHER B8.4	1,000
28	71276	SCREW EJPT K70X20	1,000
29	71279	SCREW B.42-13 4.6	1,000
30	71347	NUT M8X1,25	1,000
31	71365	SCREW WN145160X20	1,000

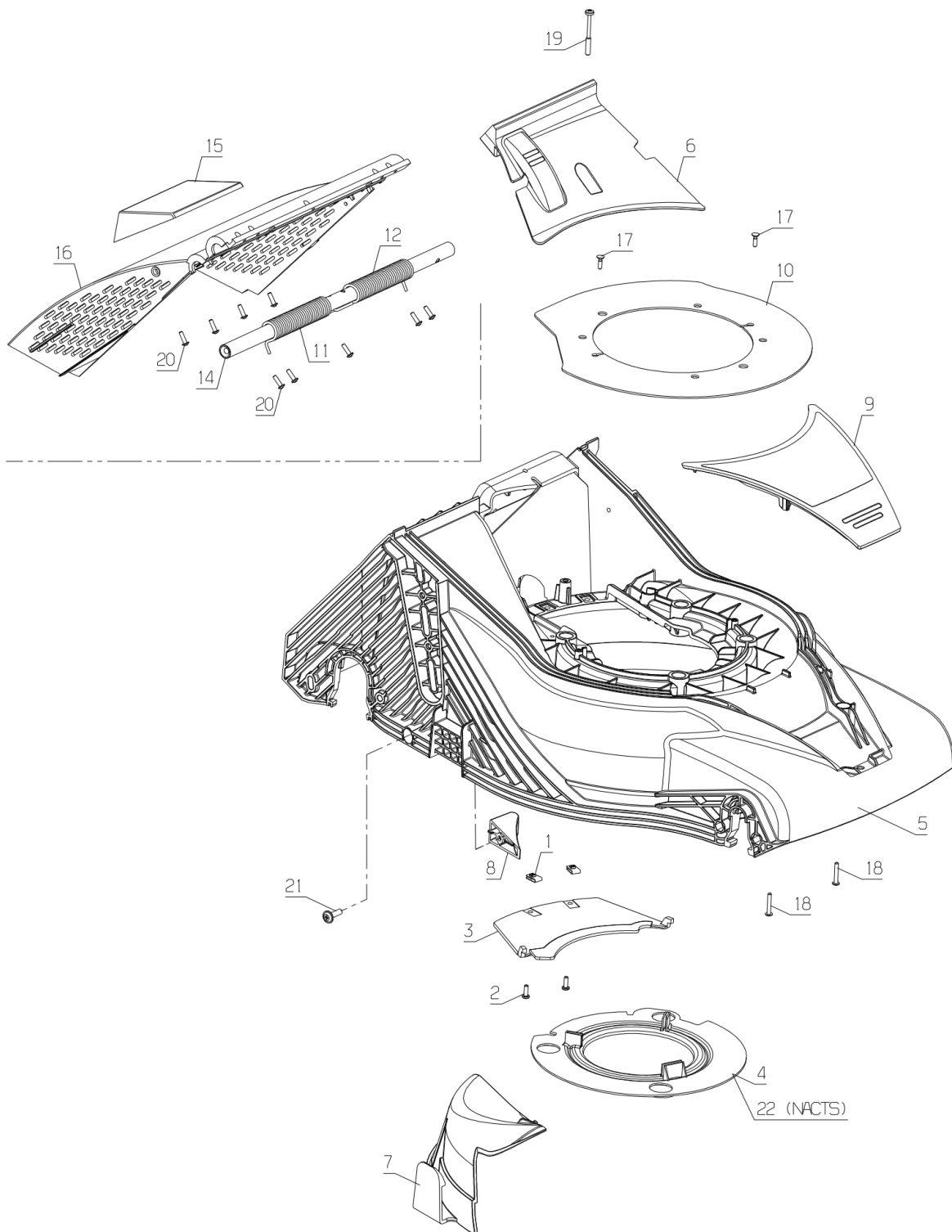
PL02187



03/2018

Number	Part Number	Name	Quantity
1	21436	CLIPS NUT	1,000
2	21437	SCREW	1,000
3	23724	LOW COVER 46	1,000
4	24617	THERMAL PROTECTION	1,000
5	50656	CUTTING DECK RM41	1,000
6	50653	TRANS.COVERING WHIT	1,000
7	38344	RM41 PLUG	1,000
8	50658	BASE PLATE RM41	1,000
9	50659	COVER + STICKER	1,000
10	50652	CENT.GREEN COVER	1,000
11	39392	SPRING	1,000
12	39393	SPRING	1,000
13	39599	DEFLECTOR	1,000
14	39600	DEFLECTOR AXLE RM41	1,000
15	40047	GRIP	1,000
16	41024	DEFLECTOR	1,000
17	71050	BOLT EJ.PT KA40X14	1,000
18	71190	SCREW EJ-PT KA40X25	1,000
19	71275	SCREW	1,000
20	71299	SCREW EJPT KA 40X14	1,000
21	71365	SCREW WN145160X20	1,000
22	24626	THERM.PROTECT.4 H.	1,000

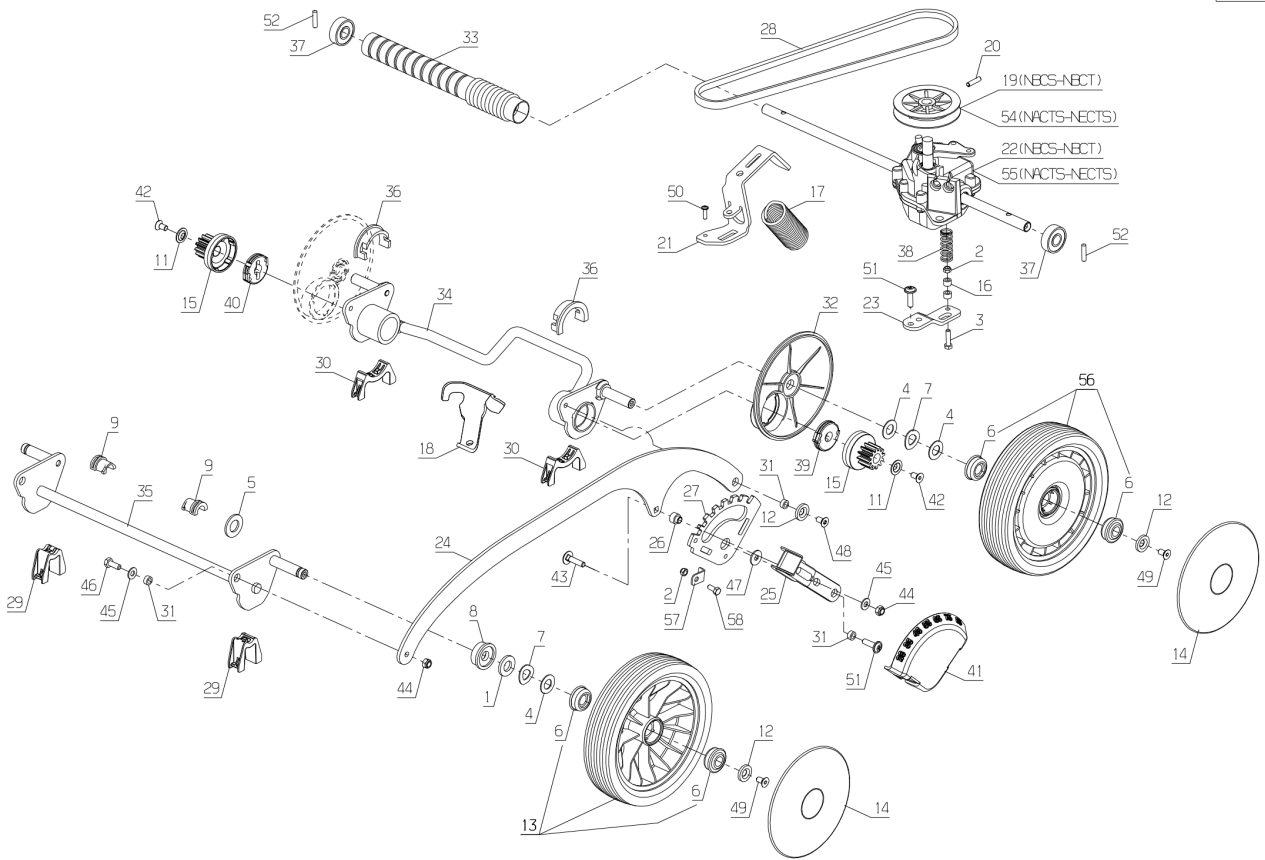
PL02051



02/2015

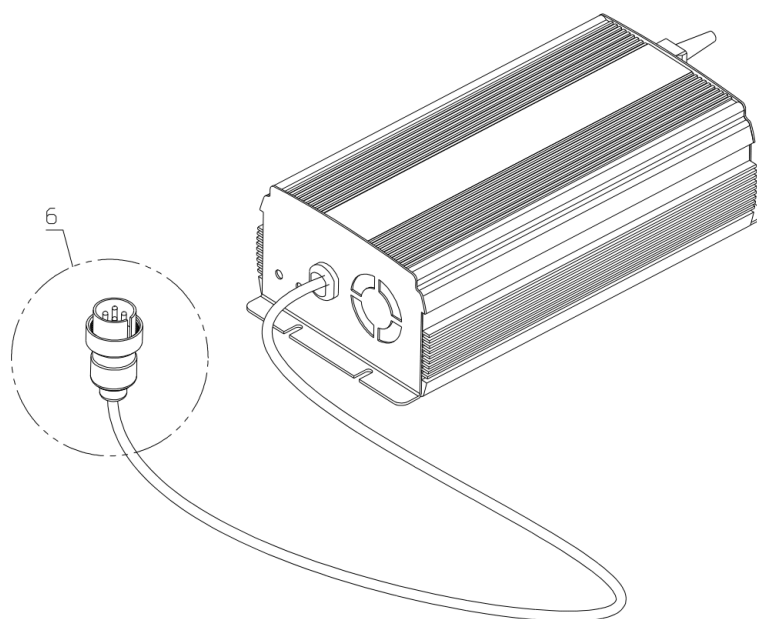
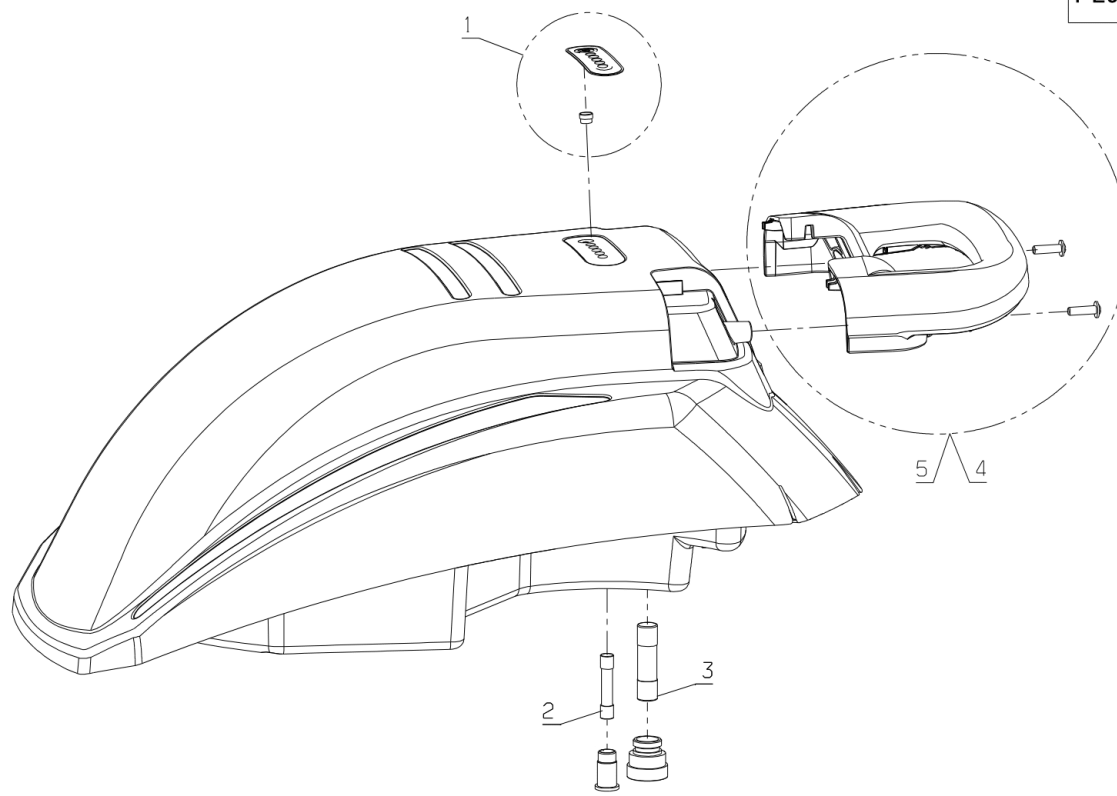
Number	Part Number	Name	Quantity
1	1560	FLAT WASHER 13X25X3	1,000
2	37561	NUT	1,000
3	5071	BOLT HM 5X20	1,000
4	6011	WASHER 12,2X23,2X1	1,000
5	9034	NYLON WASHER	1,000
6	20533	BEARING DIAM.12	1,000
7	20536	CRINKLE WASHER	1,000
8	20537	WHEEL RING	1,000
9	20539	FRONT RING	1,000
10	23275	REAR WHEEL KIT TR.	1,000
11	24067	WASHER	1,000
12	24132	SHAFT WASHER	1,000
13	24810	WHEEL 180 + BEARING	1,000
14	24922	WHEEL FLASK 180 GR.	1,000
15	35398	GEAR D12	1,000
16	35511	SPACER D9/D5,2X6	1,000
17	36478	SPRING	1,000
18	36597	SPRING FIXING	1,000
19	37647	PULLEY	1,000
20	37650	PIN 5X35	1,000
21	38308	TANK BRACKET	1,000
22	38318	OIL BATH REDUCER	1,000
23	38392	REDUCER FIX.	1,000
24	38488	LINKING ROD	1,000
25	38491	CUTT. HEIGHT LEVER	1,000
26	38494	SPACER	1,000
27	38508	CUTT.HEIGH.INDEXING	1,000
28	38799	BELT	1,000
29	39565	CLIP WHITE	1,000
30	39566	CLIP WHITE	1,000
31	41226	WASHER	1,000
32	41316	WHEEL FLASK	1,000
33	41665	AXLE PROTECT.TUBE	1,000
34	41858	REAR CUT.HEIGHT	1,000
35	41865	FRONT CUT.HEIGHT	1,000
36	42736	RING	1,000
37	43020	BEARING 6201 2RS	1,000
38	43036	BELT TENSION SPRING	1,000
39	43301	FREE WHEEL LEFT	1,000
40	43302	FREE WHEEL RIGHT	1,000
41	50654	CUT.HEIGHT COVERING	1,000

Number	Part Number	Name	Quantity
42	71021	SCREW FHC/90 M6X12	1,000
43	71060	BOLT TRCC 6X25	1,000
44	71201	NUT M6	1,000
45	71075	WASHER	1,000
46	71084	BOLT HM6X16 DIN 933	1,000
47	71096	WASHER B6,4	1,000
48	71212	SCREW	1,000
49	71222	SCREW FHC/90 6X12	1,000
50	71299	SCREW EJPT KA 40X14	1,000
51	71365	SCREW WN145160X20	1,000
52	71440	PIN SHAFT 5X22	1,000
53	41150	REAR WHEEL	1,000
54	37204	PULLEY MONO NECTS	1,000
55	39670	REDUCER MONO RM41E	1,000
57	35338	BRACKET	1,000
58	71284	SCREW HM5X12	1,000



Number	Part Number	Name	Quantity
1	52337	STICKER	1,000
2	50941	FUSE 15A	1,000
3	50940	FUSE 30A	1,000
5	52308	GRIP ASSY ETESIA	1,000
6	51621	MALE CONNECTOR	1,000

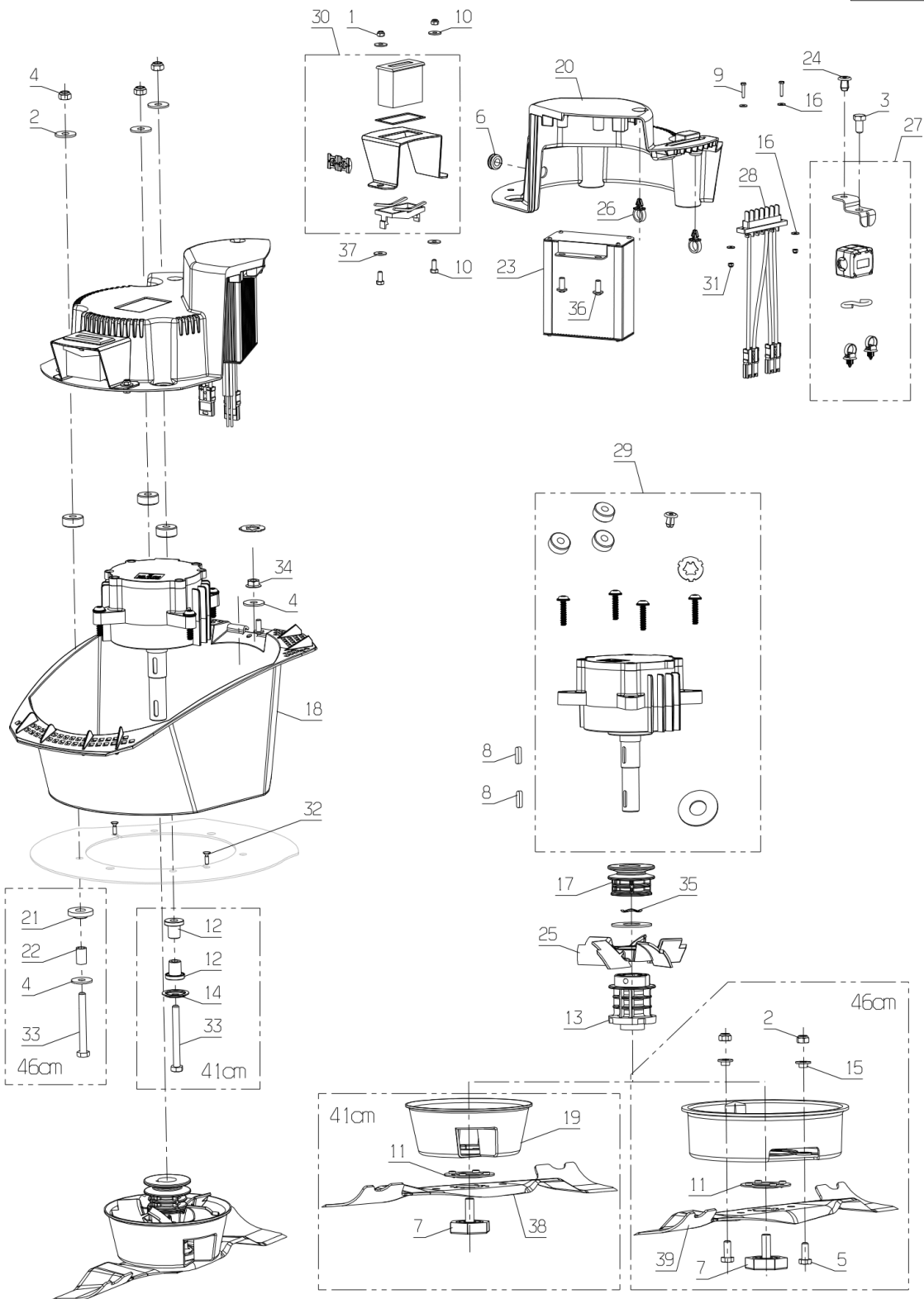
PL02189



03/2021

Number	Part Number	Name	Quantity
1	37561	NUT	1,000
2	71205	SCREW M8	1,000
3	6169	SCREW HM8X16	1,000
4	7035	FLAT WASHER	1,000
5	71413	SCREW HM 8-20	1,000
6	7915	RING	1,000
7	20512	SCREW	1,000
8	20606	KEY 5X5X20	1,000
9	21141	BOLT HM3X16	1,000
10	21481	WASHER	1,000
11	23002	SHEAR WASHER	1,000
12	23604	INSULATION MUFF	1,000
13	23611	COUPLING	1,000
14	24005	ENGINE WASHER	1,000
15	24052	KNUCKLE RING	1,000
16	35319	WASHER 3.2X9X1	1,000
17	37805	PULLEY	1,000
18	38312	ENGINE HOOD	1,000
19	38482	PROTECTION	1,000
20	39571	ENGINE COVERING	1,000
21	41007	INSULATION MUFF	1,000
22	42019	BUSH 12X8,2X19	1,000
23	50018	CHECK BOX 36V	1,000
24	50805	PLASTIC CLIP	1,000
25	50806	FAN RM41 ALI	1,000
26	-	-	1,000
27	52301	PLATE	1,000
28	52311	7PIN MALE+2X SAE-30	1,000
29	52312	ENGINE	1,000
30	52313	HOUR MATER	1,000
31	71012	NUT AUTO.HM3	1,000
32	71050	BOLT EJ.PT KA40X14	1,000
33	71067	HEXAG.SCREW HM8X75	1,000
34	71076	NUT VERBUS HM8	1,000
35	71214	WASHER R9	1,000
36	71277	SCREW 60X12	1,000
37	71284	SCREW HM5X12	1,000
38	MZ41E	BLADE FOR RM41	1,000
39	MZ46E	BLADE FOR RM46	1,000

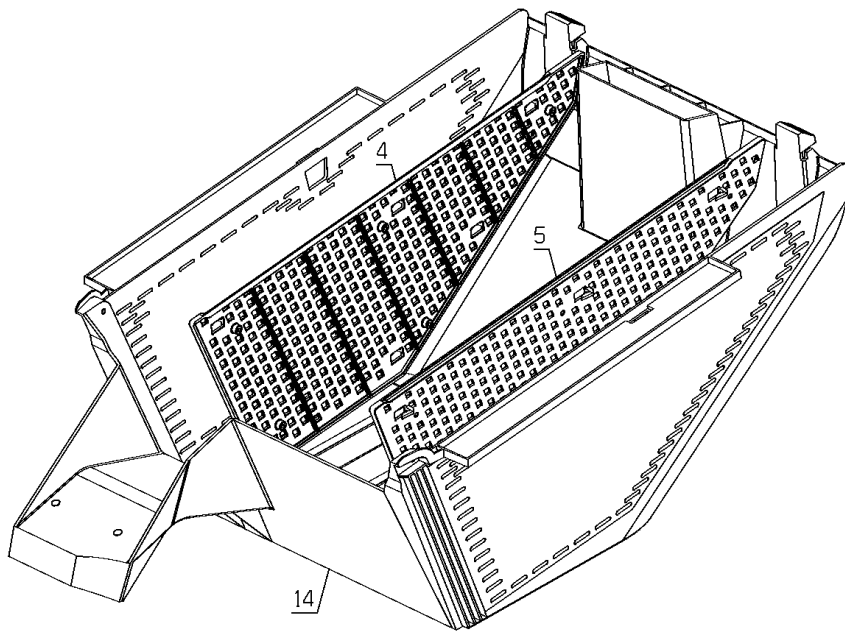
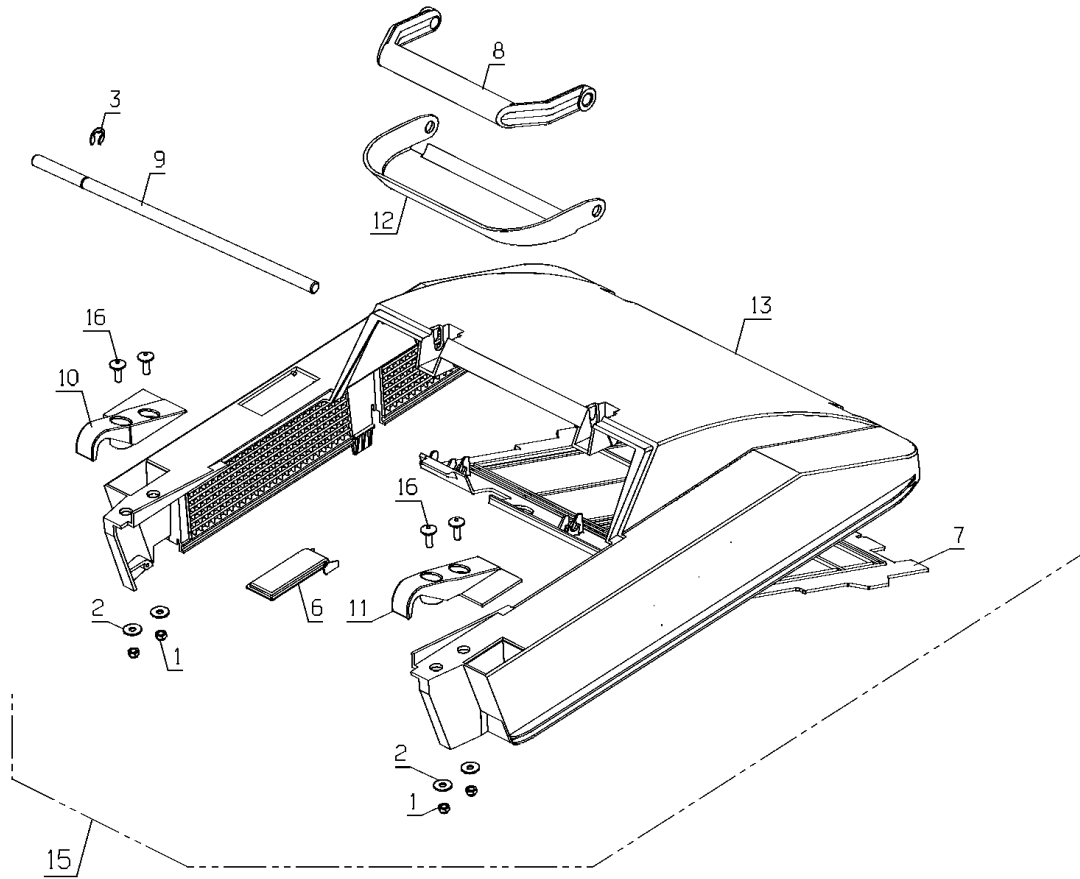
PL02188



03/2018

Number	Part Number	Name	Quantity
1	37561	NUT	1,000
2	21481	WASHER	1,000
3	24684	TRUARC RING	1,000
4	39556	R.GRASSBOX GRID	1,000
5	39557	L.GRASSBOX GRID	1,000
6	41608	INDICATOR FILLING	1,000
7	41652	GRASSBOX GRD	1,000
8	41655	GRASSBOX GRIP	1,000
9	41657	ROD	1,000
10	41658	GRASSBOX HOOK RIGHT	1,000
11	41659	GRASSBOX HOOK LEFT	1,000
12	41660	GRIP PROTECTION	1,000
13	41662	-> 39945	1,000
14	41663	LOWER BOX	1,000
15	41666	UPPER BOX	1,000
16	71231	SCREW JM5-16	1,000

PL02050



08/2013

Number	Part Number	Name	Quantity
1	12168	STICKER	1,000
2	12246	ENGINE BRAK.STICKER	1,000
3	38728	STICKER FRANCE/EURO	1,000
4	39998	STICKER	1,000
5	50665	STICKER NBCT	1,000
6	50668	STICKER NBCS	1,000
7	37095	DRIVE TRS STICKER	1,000
8	51571	STICKER NACTS	1,000
9	51541	STICKER NECTS	1,000

PL02058



2



7



3

4



1

- NBCT 5
- NBCS 6
- NACTS 8
- NECTS 9

02/2015