

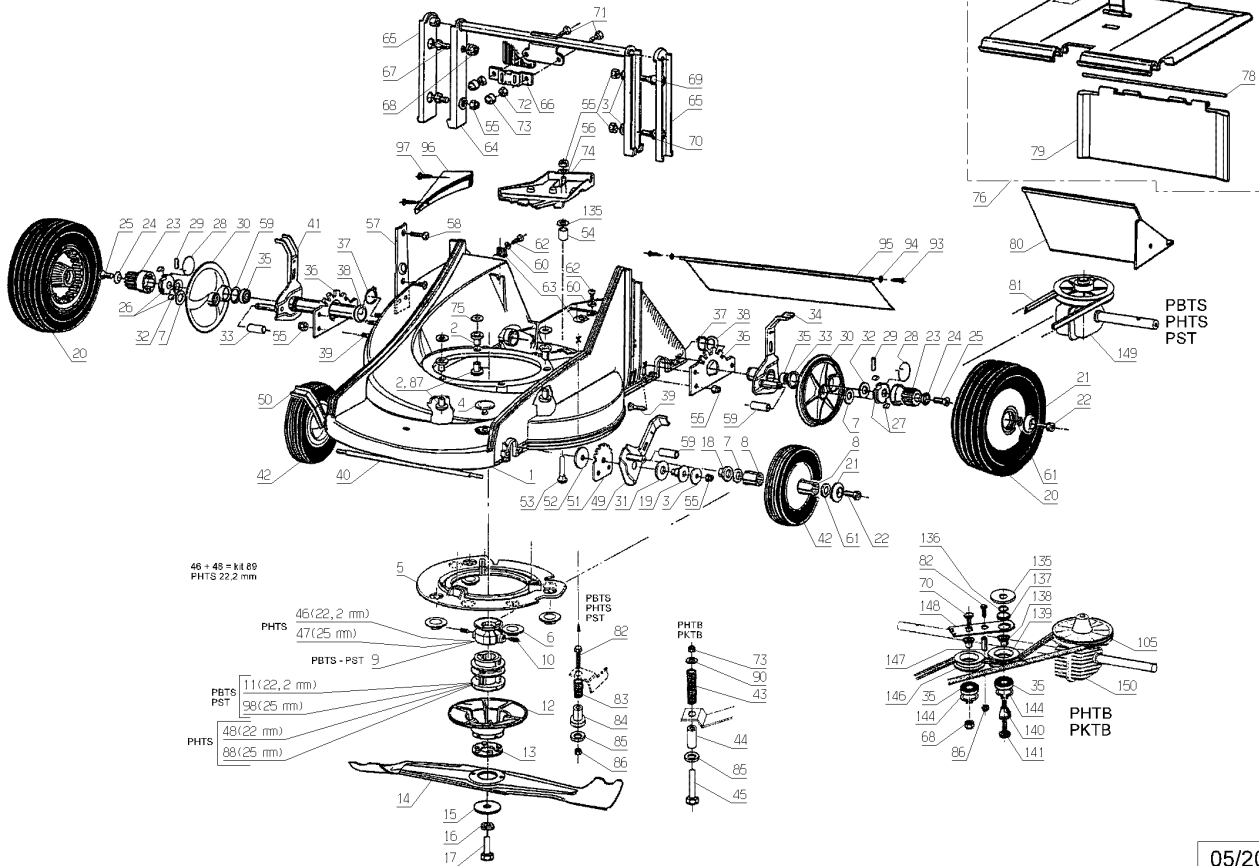
| Number | Part Number | Name | Quantity |
|--------|-------------|---------------------|----------|
| 1 | 23810 | 46 CUT.DECK NM | 1,000 |
| 2 | 23604 | INSULATION MUFF | 1,000 |
| 3 | 7035 | FLAT WASHER | 1,000 |
| 4 | 23615 | CAP | 1,000 |
| 5 | 24617 | THERMAL PROTECTION | 1,000 |
| 6 | 24005 | ENGINE WASHER | 1,000 |
| 7 | 9034 | NYLON WASHER | 1,000 |
| 8 | 5015 | STUDED BUSH | 1,000 |
| 9 | 23609 | PULLEY DIA.46 NG46 | 1,000 |
| 10 | 5353 | SCREW | 1,000 |
| 11 | 24616 | THERMAL COUPL.22,2 | 1,000 |
| 12 | 24618 | COUPLING DISK | 1,000 |
| 13 | 23002 | SHEAR WASHER | 1,000 |
| 14 | PZ46E | BLADES FOR PRO 46CM | 1,000 |
| 15 | 7341 | FLAT WASHER 10,3X49 | 1,000 |
| 16 | 71052 | SPRING WASHER,DIN 1 | 1,000 |
| 17 | 7342 | BOLT 3/8 - 24 | 1,000 |
| 18 | 7046 | SLEEVE | 1,000 |
| 19 | 7047 | SLEEVE | 1,000 |
| 20 | 23275 | REAR WHEEL KIT TR. | 1,000 |
| 21 | 24087 | PROTECTION WASHER | 1,000 |
| 22 | 71072 | BOLT CHC M6X10 | 1,000 |
| 23 | 5323 | GEAR | 1,000 |
| 24 | 24067 | WASHER | 1,000 |
| 25 | 71021 | SCREW FHC/90 M6X12 | 1,000 |
| 26 | 5733 | FREE WHEEL RIGHT | 1,000 |
| 27 | 5734 | FREE WHEEL LEFT | 1,000 |
| 28 | 5329 | CLICK SPRING | 1,000 |
| 29 | 21609 | PIN 5X22 | 1,000 |
| 30 | 43187 | REAR WHEEL COVER TR | 1,000 |
| 31 | 7330 | WASHER | 1,000 |
| 32 | 71016 | WASHER 16X22X1 | 1,000 |
| 33 | 24692 | SEALING WASHER | 1,000 |
| 34 | 23340 | CUTT.H.LEFT DISK RE | 1,000 |
| 35 | 9022 | BALL BEARING 6002 | 1,000 |
| 36 | 23025 | INDEXED PLATE | 1,000 |
| 37 | 5016 | EXT. TRUARC RING | 1,000 |
| 38 | 5067 | WASHER BELLEVILLE | 1,000 |
| 39 | 71070 | SCREW 8X30 | 1,000 |
| 40 | 23070 | FRONT LINKING SHAFT | 1,000 |
| 41 | 23339 | CUTT.H.RIGHT DISC R | 1,000 |

| Number | Part Number | Name | Quantity |
|--------|-------------|---------------------|----------|
| 42 | 23271 | WHEEL ASSY 180GREEN | 1,000 |
| 43 | 24669 | ABSORBER SPRING | 1,000 |
| 44 | 23062 | SPACER DIA 12 | 1,000 |
| 45 | 71092 | SCREW HM6-85,8.8 | 1,000 |
| 46 | 23730 | PULLEY | 1,000 |
| 47 | 23729 | TAPERLOCK PULLEYD25 | 1,000 |
| 48 | 23636 | COUPLING 22.2 | 1,000 |
| 49 | 23418 | CUT.HEIGHT R+F LEFT | 1,000 |
| 50 | 23419 | CUT.HEIGHT R+F RIGH | 1,000 |
| 51 | 24020 | NOTCHED DISK | 1,000 |
| 52 | 20021 | WASHER 8,5X40X4 | 1,000 |
| 53 | 22031 | SCREW 8X55 | 1,000 |
| 54 | 23004 | SPACER BELT COVER | 1,000 |
| 55 | 71074 | NUT HM8 | 1,000 |
| 56 | 7335 | WASHER | 1,000 |
| 57 | 23605 | BLACK COVER | 1,000 |
| 58 | 71048 | BOLT EJ.PT KA40X10 | 1,000 |
| 59 | 5019 | GUIDE RING | 1,000 |
| 60 | 7094 | FLAT WASHER | 1,000 |
| 61 | 21270 | WASHER 6,4 | 1,000 |
| 62 | 21437 | SCREW | 1,000 |
| 63 | 6178 | CLIP NUT | 1,000 |
| 64 | 23303 | TUBE + RAIL ASSY | 1,000 |
| 65 | 23612 | INSULATION | 1,000 |
| 66 | 23041 | RING | 1,000 |
| 67 | 9071 | SCREW M8X20 | 1,000 |
| 68 | 71076 | NUT VERBUS HM8 | 1,000 |
| 69 | 5041 | BOLT 8X30 | 1,000 |
| 70 | 5347 | SCREW 8X25 | 1,000 |
| 71 | 71084 | BOLT HM6X16 DIN 933 | 1,000 |
| 72 | 71201 | NUT M6 | 1,000 |
| 73 | 24628 | PROTECTING CAP HM6 | 1,000 |
| 74 | 23812 | BELT COVER 46 WHITE | 1,000 |
| 75 | 22065 | WASHER 25X8,5X3 | 1,000 |
| 76 | 23414 | DEFLECTOR GREEN CPL | 1,000 |
| 77 | 23614 | STRAP NG46 + ROD | 1,000 |
| 78 | 23005 | ROD | 1,000 |
| 79 | 23607 | DEFLECTOR QUARD 46 | 1,000 |
| 80 | 23712 | WHITE INTERFACE 46 | 1,000 |
| 81 | 23631 | BELT SPZ 837 MM | 1,000 |
| 82 | 71135 | SCREW 5X25 | 1,000 |

| Number | Part Number | Name | Quantity |
|--------|-------------|---------------------|----------|
| 83 | 24647 | SPRING | 1,000 |
| 84 | 23075 | SPRING SUPPORT | 1,000 |
| 85 | 22029 | FLAT WASHER 6,5 | 1,000 |
| 86 | 37561 | NUT | 1,000 |
| 87 | 23722 | INSULATION MUFF | 1,000 |
| 88 | 23620 | COUPLING D25 | 1,000 |
| 89 | 23347 | TAPERLOCK KIT D22.2 | 1,000 |
| 90 | 2235 | WASHER A6.4 | 1,000 |
| 93 | 6187 | SCREW | 1,000 |
| 94 | 20564 | WASHER 5,5 | 1,000 |
| 95 | 23626 | DECK FLAP 46 | 1,000 |
| 96 | 24602 | BASE PLATE BLACK | 1,000 |
| 97 | 71206 | BOLT EJ.PT KA50X16 | 1,000 |
| 98 | 23616 | COUPLING 25 MM | 1,000 |
| 105 | 23633 | BELT 10X5/855LI | 1,000 |
| 135 | 24058 | SUPPORT VARIATOR | 1,000 |
| 136 | 24085 | SPACER PIVOT | 1,000 |
| 137 | 24046 | VARIATOR PIVOT | 1,000 |
| 138 | 24836 | RING | 1,000 |
| 139 | 23632 | PULLEY | 1,000 |
| 140 | 24048 | VARIATOR SPACER | 1,000 |
| 144 | 21256 | CIRCLIP | 1,000 |
| 146 | 24659 | GROOVE PULLEY | 1,000 |
| 147 | 24846 | SPACER 15X8X5,2 | 1,000 |
| 148 | 24045 | PLATE SUPPORT | 1,000 |
| 149 | 23279 | DISC.GEARBOX46 ST | 1,000 |
| 150 | 23278 | DISC.GEARBOX 46 VAR | 1,000 |

PBTS-PHTS
PHTB-PKTB-PST

191.01



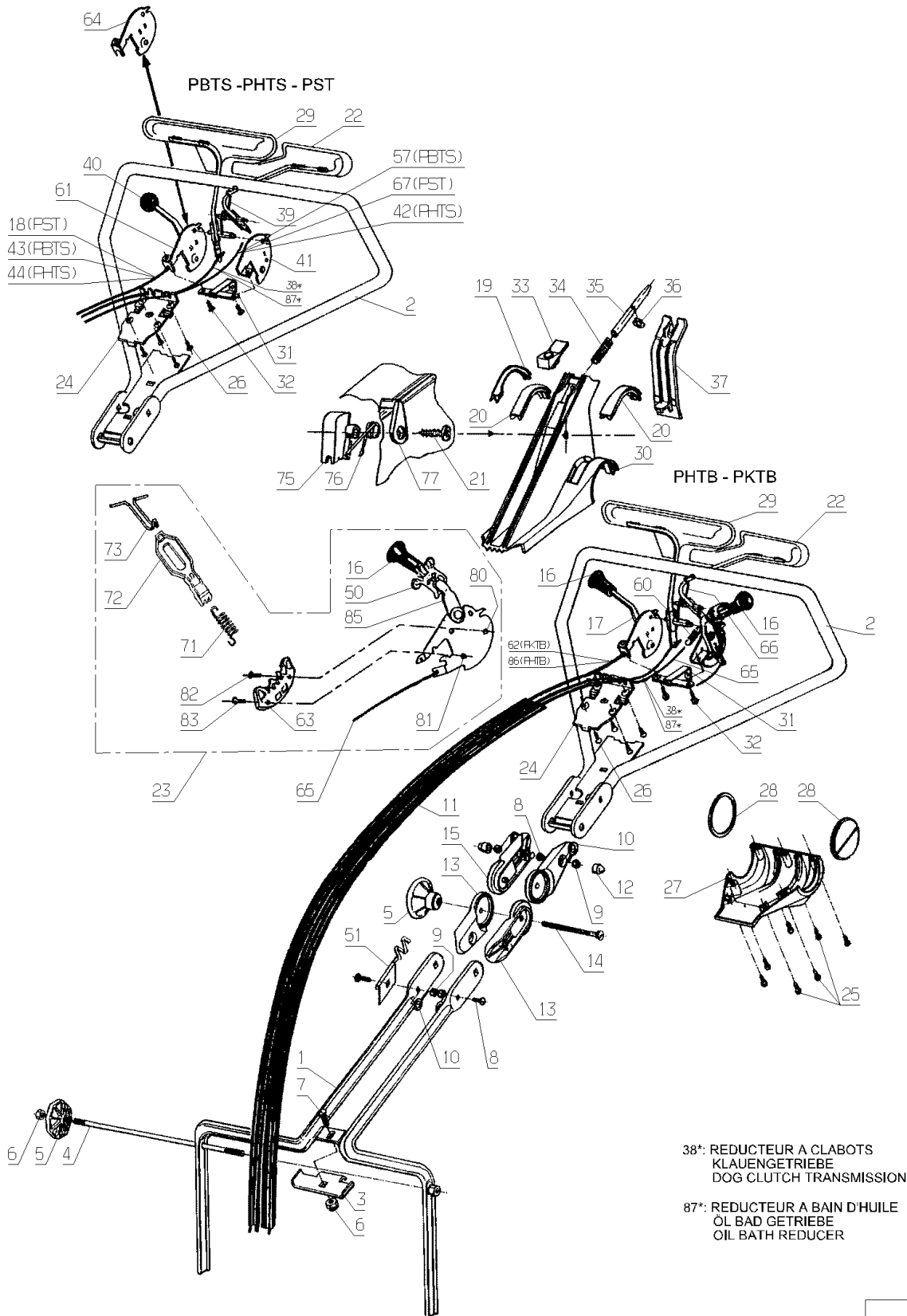
05/2006

| Number | Part Number | Name | Quantity |
|--------|-------------|----------------------|----------|
| 1 | 23301 | LOWER HANDLEBAR | 1,000 |
| 2 | 23306 | UP. HANDL. ASSY PSE | 1,000 |
| 3 | 24014 | COLLECTOR HOOK | 1,000 |
| 4 | 23014 | LOCKING PIN | 1,000 |
| 5 | 24610 | BUTTON (SMALL) | 1,000 |
| 6 | 71074 | NUT HM8 | 1,000 |
| 7 | 2217 | BOLT TRCC 8X16 | 1,000 |
| 8 | 71060 | BOLT TRCC 6X25 | 1,000 |
| 9 | 71201 | NUT M6 | 1,000 |
| 10 | 2235 | WASHER A6.4 | 1,000 |
| 11 | 23653 | REMOTE CONTR.SLEEVE | 1,000 |
| 12 | 24628 | PROTECTING CAP HM6 | 1,000 |
| 13 | 24614 | LOWER LOCKING JOINT | 1,000 |
| 14 | 71028 | BOLT TRCC 8X110 | 1,000 |
| 15 | 24629 | UPPER LOCKING JOINT | 1,000 |
| 16 | 21177 | BALL M8 | 1,000 |
| 17 | 23361 | LEVER + SCREWS | 1,000 |
| 18 | 23675 | THROTTLE CABL+SLEEVE | 1,000 |
| 19 | 24683 | HALF CAP | 1,000 |
| 20 | 24682 | COVER | 1,000 |
| 21 | 71082 | EJOT SCR.PT KA40X12 | 1,000 |
| 22 | 24433 | BLADE EN-/DISENGAGE | 1,000 |
| 23 | 24395 | ENGINE SPEED MODUL | 1,000 |
| 24 | 24050 | SLEEVE STOP | 1,000 |
| 25 | 71051 | BOLT EJ.PT KA40X14 | 1,000 |
| 26 | 71050 | BOLT EJ.PT KA40X14 | 1,000 |
| 27 | 23651 | LOWER HOUSING | 1,000 |
| 28 | 23666 | CAPSULE | 1,000 |
| 29 | 24434 | DRIVE EN-/DISENGAGE | 1,000 |
| 30 | 23650 | CENTRAL HOUSING | 1,000 |
| 31 | 24350 | LEVER STOP | 1,000 |
| 33 | 24690 | LOCKING BUTTON | 1,000 |
| 34 | 24609 | SPRING | 1,000 |
| 35 | 24059 | BOLT | 1,000 |
| 36 | 24684 | TRUARC RING | 1,000 |
| 37 | 23652 | CENTR.HOUSING REAR | 1,000 |
| 38 | 23660 | DRIVE CABLE+SLEEVE | 1,000 |
| 39 | 24778 | SPRING | 1,000 |
| 41 | 24128 | HS MOTOR BRAKE DISK | 1,000 |
| 42 | 23703 | ENG.-BRAK.TRANS.B&S | 1,000 |
| 43 | 23672 | THROTTLE CABLE BRIG | 1,000 |

| Number | Part Number | Name | Quantity |
|--------|-------------|---------------------|----------|
| 44 | 23685 | THROTTLECABLE GCV | 1,000 |
| 50 | 24700 | BUTTON | 1,000 |
| 51 | 24670 | GUIDE-RECOIL START. | 1,000 |
| 60 | 24838 | SPRING | 1,000 |
| 61 | 24354 | THROTTLE - SUZUKI | 1,000 |
| 62 | 24672 | THROTTLE CABLE PKTB | 1,000 |
| 63 | 24701 | INDEXED DISK | 1,000 |
| 64 | 23053 | THROTTLE R.PLATE | 1,000 |
| 65 | 23723 | BLADE CLUTCH CABLE | 1,000 |
| 66 | 24758 | LEVER SPRING | 1,000 |
| 67 | 23700 | MOTOR-BRAKE TRAN. | 1,000 |
| 71 | 24703 | BACK SPRING | 1,000 |
| 72 | 24644 | VARIATOR SLIDE | 1,000 |
| 73 | 24702 | LINKAGE | 1,000 |
| 75 | 24845 | LOCKING ARM | 1,000 |
| 76 | 24843 | DOUBLE CTRL.SPRING | 1,000 |
| 77 | 24844 | LOCKING LEVER | 1,000 |
| 80 | 71237 | SCREW F H M4-8,4.8 | 1,000 |
| 81 | 21525 | NUT HM4 | 1,000 |
| 83 | 21524 | SCREW M8X35 | 1,000 |
| 87 | 23681 | CABLE+SLEEVE CLUTCH | 1,000 |

PBTS-PHTS
PHTB-PKTB-PST

195.01

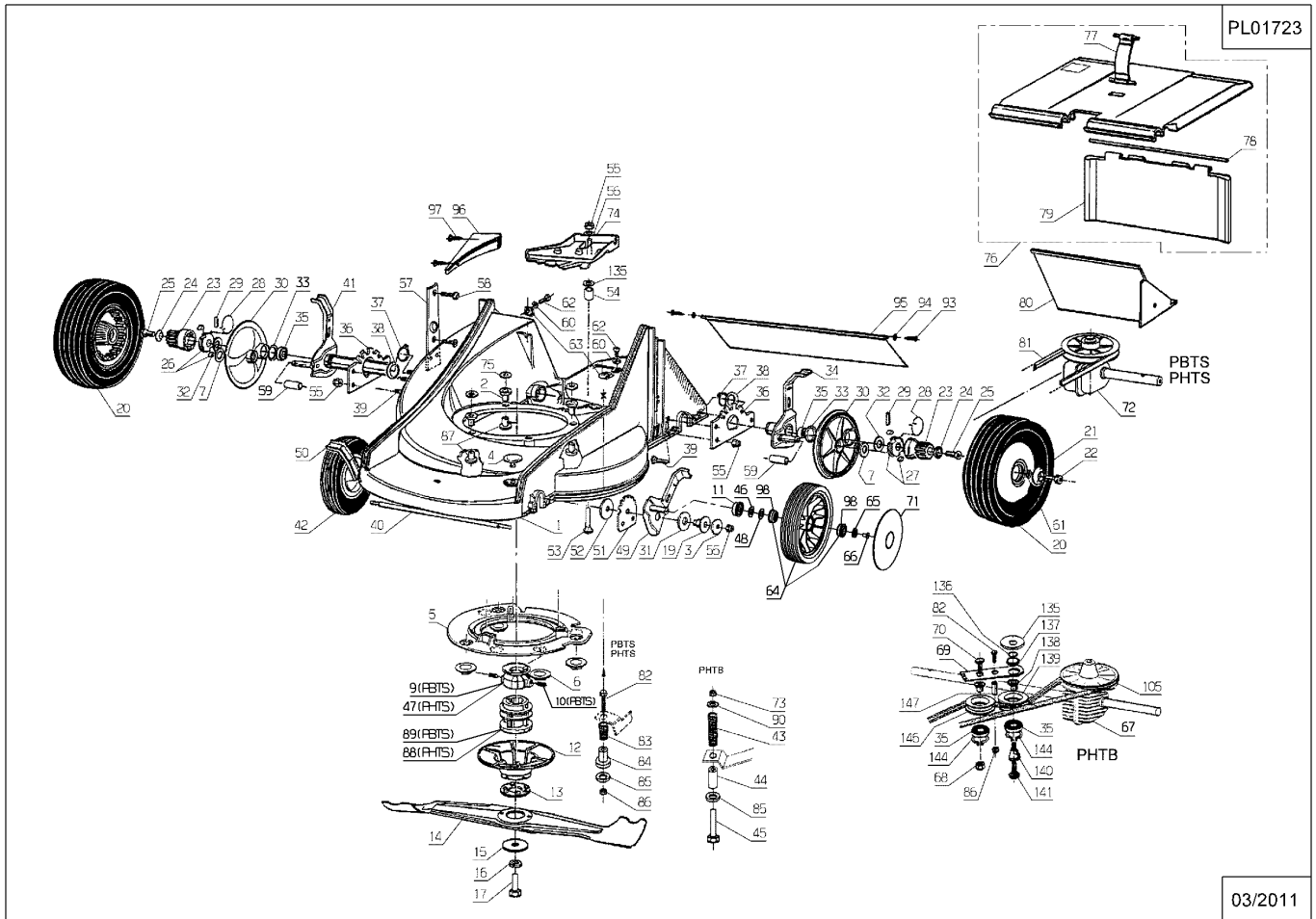


09/2006

| Number | Part Number | Name | Quantity |
|--------|-------------|---------------------|----------|
| 1 | 23810 | 46 CUT.DECK NM | 1,000 |
| 2 | 23604 | INSULATION MUFF | 1,000 |
| 3 | 7035 | FLAT WASHER | 1,000 |
| 4 | 23615 | CAP | 1,000 |
| 5 | 24617 | THERMAL PROTECTION | 1,000 |
| 6 | 24005 | ENGINE WASHER | 1,000 |
| 7 | 9034 | NYLON WASHER | 1,000 |
| 9 | 23609 | PULLEY DIA.46 NG46 | 1,000 |
| 10 | 5353 | SCREW | 1,000 |
| 11 | 20537 | WHEEL RING | 1,000 |
| 12 | 24618 | COUPLING DISK | 1,000 |
| 13 | 23002 | SHEAR WASHER | 1,000 |
| 14 | PZ46E | BLADES FOR PRO 46CM | 1,000 |
| 15 | 7341 | FLAT WASHER 10,3X49 | 1,000 |
| 16 | 71052 | SPRING WASHER,DIN 1 | 1,000 |
| 17 | 7342 | BOLT 3/8 - 24 | 1,000 |
| 19 | 7047 | SLEEVE | 1,000 |
| 20 | 23275 | REAR WHEEL KIT TR. | 1,000 |
| 21 | 24087 | PROTECTION WASHER | 1,000 |
| 22 | 71072 | BOLT CHC M6X10 | 1,000 |
| 23 | 5323 | GEAR | 1,000 |
| 24 | 24067 | WASHER | 1,000 |
| 25 | 71021 | SCREW FHC/90 M6X12 | 1,000 |
| 26 | 5733 | FREE WHEEL RIGHT | 1,000 |
| 27 | 5734 | FREE WHEEL LEFT | 1,000 |
| 28 | 5329 | CLICK SPRING | 1,000 |
| 29 | 21609 | PIN 5X22 | 1,000 |
| 30 | 43187 | REAR WHEEL COVER TR | 1,000 |
| 31 | 7330 | WASHER | 1,000 |
| 32 | 71016 | WASHER 16X22X1 | 1,000 |
| 33 | 24692 | SEALING WASHER | 1,000 |
| 34 | 23340 | CUTT.H.LEFT DISK RE | 1,000 |
| 35 | 9022 | BALL BEARING 6002 | 1,000 |
| 36 | 23025 | INDEXED PLATE | 1,000 |
| 37 | 5016 | EXT. TRUARC RING | 1,000 |
| 38 | 5067 | WASHER BELLEVILLE | 1,000 |
| 39 | 71070 | SCREW 8X30 | 1,000 |
| 40 | 23070 | FRONT LINKING SHAFT | 1,000 |
| 41 | 23339 | CUTT.H.RIGHT DISC R | 1,000 |
| 43 | 24669 | ABSORBER SPRING | 1,000 |
| 44 | 23062 | SPACER DIA 12 | 1,000 |

| Number | Part Number | Name | Quantity |
|--------|-------------|---------------------|----------|
| 45 | 71092 | SCREW HM6-85,8.8 | 1,000 |
| 46 | 20536 | CRINKLE WASHER | 1,000 |
| 47 | 23729 | TAPERLOCK PULLEYD25 | 1,000 |
| 48 | 6011 | WASHER 12,2X23,2X1 | 1,000 |
| 49 | 23422 | CUT.HEIGHT LEFT | 1,000 |
| 50 | 23423 | CUT.HEIGHT RIGHT | 1,000 |
| 51 | 24020 | NOTCHED DISK | 1,000 |
| 52 | 20021 | WASHER 8,5X40X4 | 1,000 |
| 53 | 22031 | SCREW 8X55 | 1,000 |
| 54 | 23004 | SPACER BELT COVER | 1,000 |
| 55 | 71074 | NUT HM8 | 1,000 |
| 56 | 7335 | WASHER | 1,000 |
| 57 | 23605 | BLACK COVER | 1,000 |
| 58 | 71048 | BOLT EJ.PT KA40X10 | 1,000 |
| 59 | 5019 | GUIDE RING | 1,000 |
| 60 | 7094 | FLAT WASHER | 1,000 |
| 61 | 21270 | WASHER 6,4 | 1,000 |
| 62 | 21437 | SCREW | 1,000 |
| 63 | 6178 | CLIP NUT | 1,000 |
| 64 | 24810 | WHEEL 180 + BEARING | 1,000 |
| 65 | 24132 | SHAFT WASHER | 1,000 |
| 66 | 71222 | SCREW FHC/90 6X12 | 1,000 |
| 67 | 23278 | DISC.GEARBOX 46 VAR | 1,000 |
| 68 | 71076 | NUT VERBUS HM8 | 1,000 |
| 69 | 24045 | PLATE SUPPORT | 1,000 |
| 70 | 5347 | SCREW 8X25 | 1,000 |
| 71 | 24922 | WHEEL FLASK 180 GR. | 1,000 |
| 72 | 23279 | DISC.GEARBOX46 ST | 1,000 |
| 73 | 24628 | PROTECTING CAP HM6 | 1,000 |
| 74 | 23812 | BELT COVER 46 WHITE | 1,000 |
| 75 | 22065 | WASHER 25X8,5X3 | 1,000 |
| 76 | 23414 | DEFLECTOR GREEN CPL | 1,000 |
| 77 | 23614 | STRAP NG46 + ROD | 1,000 |
| 78 | 23005 | ROD | 1,000 |
| 79 | 23607 | DEFLECTOR QUARD 46 | 1,000 |
| 80 | 23712 | WHITE INTERFACE 46 | 1,000 |
| 81 | 23631 | BELT SPZ 837 MM | 1,000 |
| 82 | 71135 | SCREW 5X25 | 1,000 |
| 83 | 24647 | SPRING | 1,000 |
| 84 | 23075 | SPRING SUPPORT | 1,000 |
| 85 | 22029 | FLAT WASHER 6,5 | 1,000 |

| Number | Part Number | Name | Quantity |
|--------|-------------|--------------------|----------|
| 86 | 37561 | NUT | 1,000 |
| 87 | 23722 | INSULATION MUFF | 1,000 |
| 88 | 23620 | COUPLING D25 | 1,000 |
| 89 | 36467 | COUPLING DIA.25 | 1,000 |
| 90 | 2235 | WASHER A6.4 | 1,000 |
| 93 | 6187 | SCREW | 1,000 |
| 94 | 20564 | WASHER 5,5 | 1,000 |
| 95 | 23626 | DECK FLAP 46 | 1,000 |
| 96 | 24602 | BASE PLATE BLACK | 1,000 |
| 97 | 71206 | BOLT EJ.PT KA50X16 | 1,000 |
| 98 | 20533 | BEARING DIAM.12 | 1,000 |
| 105 | 23633 | BELT 10X5/855LI | 1,000 |
| 135 | 24058 | SUPPORT VARIATOR | 1,000 |
| 136 | 24085 | SPACER PIVOT | 1,000 |
| 137 | 24046 | VARIATOR PIVOT | 1,000 |
| 138 | 24836 | RING | 1,000 |
| 139 | 23632 | PULLEY | 1,000 |
| 140 | 24048 | VARIATOR SPACER | 1,000 |
| 144 | 21256 | CIRCLIP | 1,000 |
| 146 | 24659 | GROOVE PULLEY | 1,000 |
| 147 | 24846 | SPACER 15X8X5,2 | 1,000 |



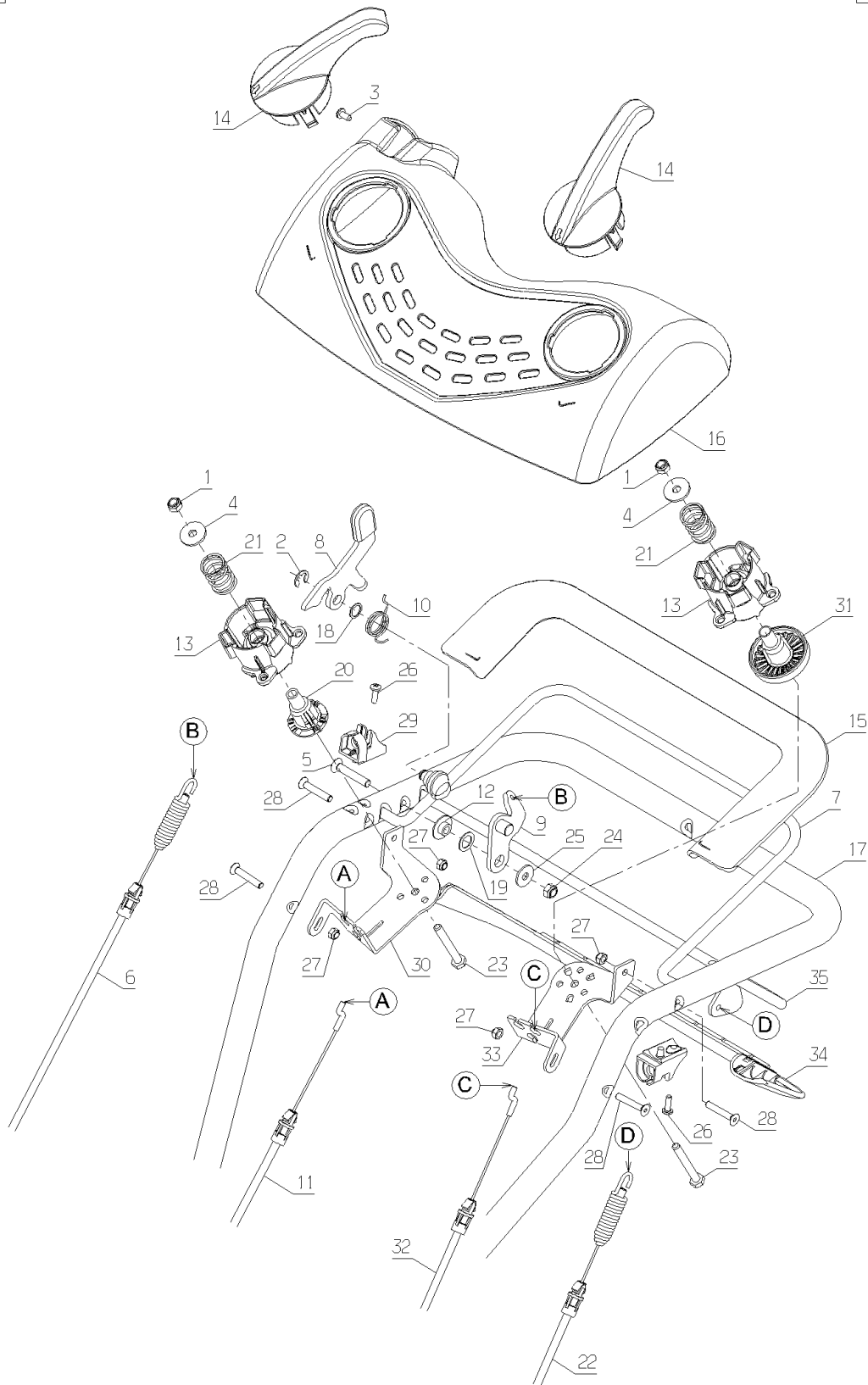
PL01723

03/2011

| Number | Part Number | Name | Quantity |
|--------|-------------|---------------------|----------|
| 1 | 71201 | NUT M6 | 1,000 |
| 2 | 5602 | ANNEAU TRUARC | 1,000 |
| 3 | 21585 | SCREW BZ 4,2X9,5 | 1,000 |
| 4 | 22029 | FLAT WASHER 6,5 | 1,000 |
| 5 | 35171 | SCREW | 1,000 |
| 6 | 35589 | BLADE CLUTCH CABLE | 1,000 |
| 7 | 36952 | LEVER | 1,000 |
| 8 | 36955 | DOUBLE LEVER | 1,000 |
| 9 | 36956 | STEERING | 1,000 |
| 10 | 36961 | SPRING | 1,000 |
| 11 | 37027 | THROTTLE CABLE | 1,000 |
| 12 | 37066 | BUSH | 1,000 |
| 13 | 37067 | BUTTOM | 1,000 |
| 14 | 37342 | LEVER | 1,000 |
| 15 | 37343 | RUBBER PROTECTION | 1,000 |
| 16 | 37611 | COVER | 1,000 |
| 17 | 37347 | HANDLE BAR | 1,000 |
| 18 | 37464 | WASHER | 1,000 |
| 19 | 37465 | WASHER | 1,000 |
| 20 | 43063 | THROTTLE LEVER GUID | 1,000 |
| 21 | 43065 | SPRING | 1,000 |
| 22 | 32351 | DRIVE CABLE | 1,000 |
| 23 | 71023 | SCREW HM 6X50 | 1,000 |
| 25 | 71096 | WASHER B6,4 | 1,000 |
| 26 | 71279 | SCREW B.42-13 4.6 | 1,000 |
| 27 | 71308 | LOCK NUT M5 | 1,000 |
| 28 | 71409 | SCREW FHC/90 M5-30 | 1,000 |
| 29 | 37173 | STOP | 1,000 |
| 30 | 36839 | RIGHT BRACKET | 1,000 |
| 31 | 35382 | GUIDE | 1,000 |
| 32 | 35603 | VAR.CABLE | 1,000 |
| 33 | 36822 | BRACKET | 1,000 |
| 34 | 37344 | RUBBER PROTECTION | 1,000 |
| 35 | 36903 | LEVER | 1,000 |

PHTB

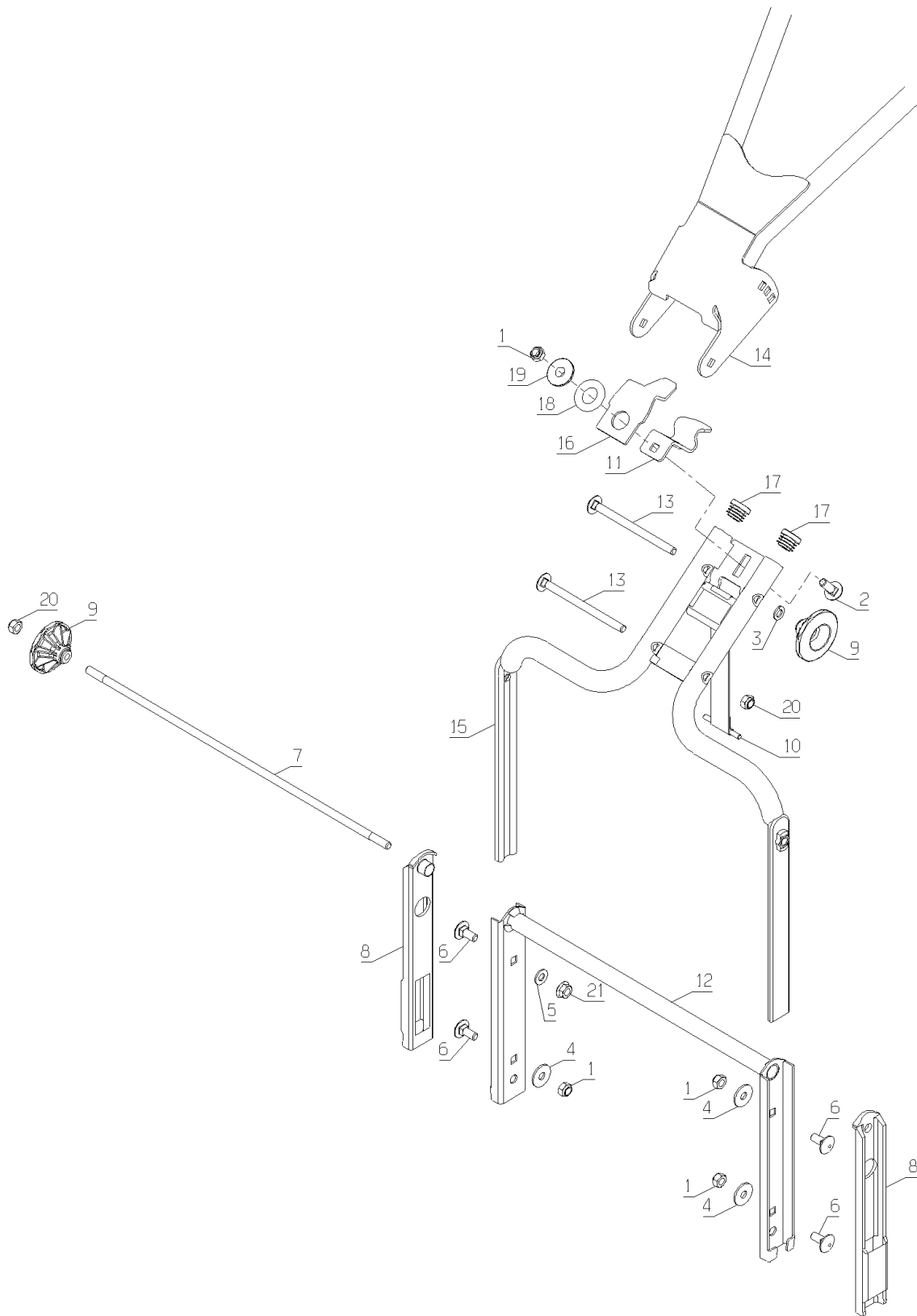
PL01467



01/2009

| Number | Part Number | Name | Quantity |
|--------|-------------|----------------|----------|
| 1 | 71205 | SCREW M8 | 1,000 |
| 2 | 5347 | SCREW 8X25 | 1,000 |
| 3 | 6416 | WASHER | 1,000 |
| 4 | 7035 | FLAT WASHER | 1,000 |
| 5 | 7335 | WASHER | 1,000 |
| 6 | 9071 | SCREW M8X20 | 1,000 |
| 7 | 23014 | LOCKING PIN | 1,000 |
| 8 | 23612 | INSULATION | 1,000 |
| 9 | 24610 | BUTTON (SMALL) | 1,000 |
| 10 | 35567 | STRAP | 1,000 |
| 11 | 36432 | HOOK | 1,000 |
| 12 | 36084 | TUBE + GUIDE | 1,000 |
| 13 | 37089 | SCREW | 1,000 |
| 14 | 37347 | HANDLE BAR | 1,000 |
| 15 | 37348 | HANDLE BAR | 1,000 |
| 16 | 37530 | STOP | 1,000 |
| 17 | 41437 | CAP 22X2,5 | 1,000 |
| 18 | 42088 | O-RING 18X8 | 1,000 |
| 19 | 42092 | BUSH | 1,000 |
| 20 | 71074 | NUT HM8 | 1,000 |
| 21 | 71076 | NUT VERBUS HM8 | 1,000 |

PL01468



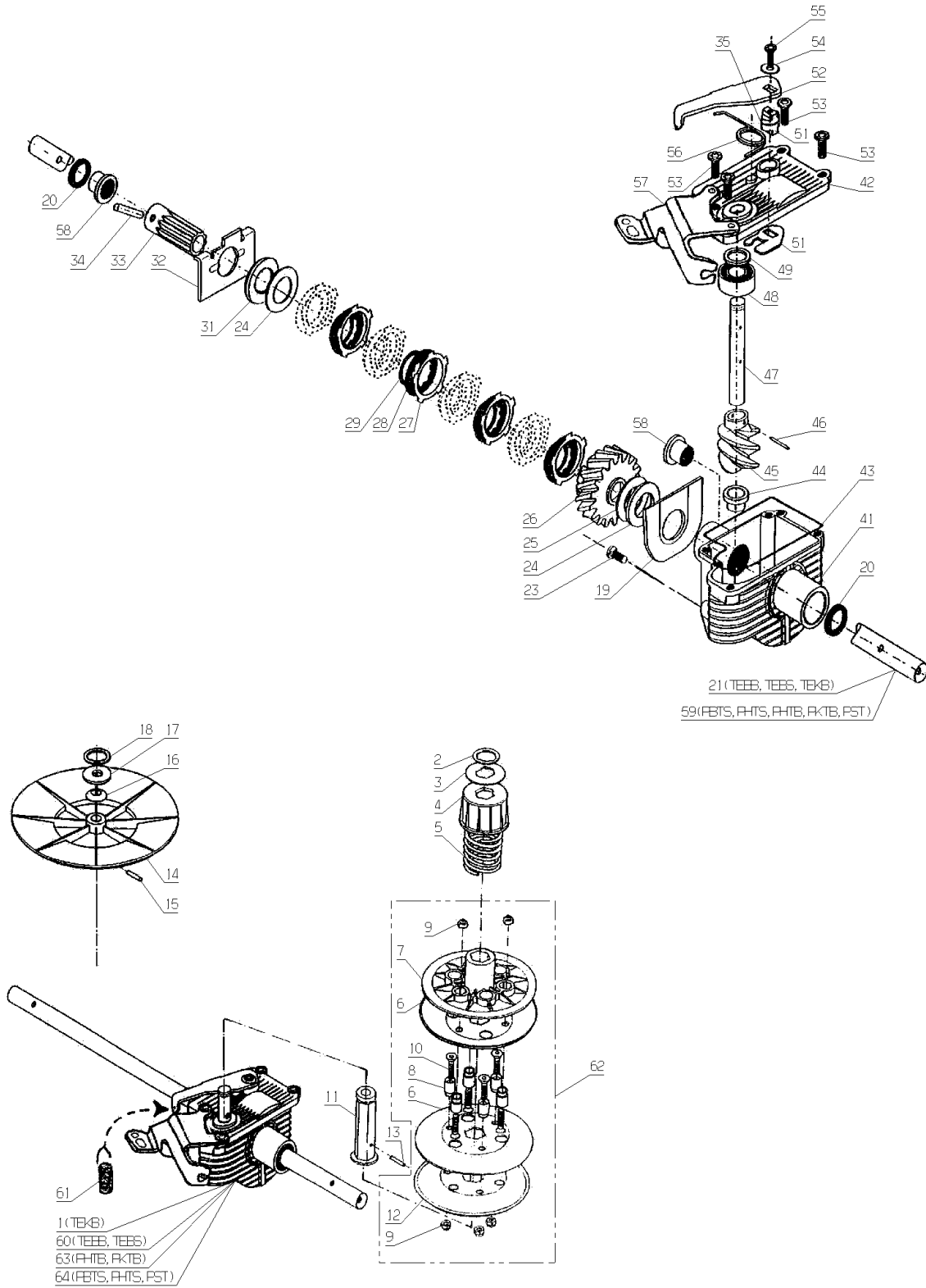
01/2009

| Number | Part Number | Name | Quantity |
|--------|-------------|----------------------|----------|
| 1 | 42240 | OIL BATH VAR. REDUC | 1,000 |
| 2 | 71019 | CIRCLIP 16X1 | 1,000 |
| 3 | 24072 | WASHER 32X16,5X1 | 1,000 |
| 4 | 24649 | PULLEY STOP | 1,000 |
| 5 | 24651 | PULLEY SPRING | 1,000 |
| 6 | 24044 | 1/2 PULLEY FLANGE | 1,000 |
| 7 | 24665 | 1/2 PULLEY | 1,000 |
| 8 | 24069 | GUIDE STUB | 1,000 |
| 9 | 37561 | NUT | 1,000 |
| 10 | 71022 | SCREW FHC/90 M5X20 | 1,000 |
| 11 | 41823 | WASHER+AXLE PUL.CPL | 1,000 |
| 12 | 24840 | 1/2 PULLEY | 1,000 |
| 13 | 20556 | PIN 3X15 | 1,000 |
| 14 | 22455 | REDUCTION GEAR PULL | 1,000 |
| 15 | 71088 | PIN 3X22 | 1,000 |
| 16 | 20561 | CURLED WASHER A10 | 1,000 |
| 17 | 21036 | FLAT WASHER 10.5 | 1,000 |
| 18 | 20559 | CIRCLIPS 10 | 1,000 |
| 19 | 41105 | CASING REINFORCEMENT | 1,000 |
| 20 | 71219 | LIP SEAL 15X21X5 | 1,000 |
| 21 | 24135 | SLOW SHAFT NG51 RD | 1,000 |
| 23 | 71211 | BOLT EJ-PT 50X16 | 1,000 |
| 24 | 41102 | STRIDDED STOP | 1,000 |
| 25 | 71216 | STOP WASHER | 1,000 |
| 26 | 24776 | BELL + WHEEL SET | 1,000 |
| 27 | 41097 | EXT.CLUTCH PLATE | 1,000 |
| 28 | 41096 | INT.CLUTCH PLATE | 1,000 |
| 29 | 71214 | WASHER R9 | 1,000 |
| 31 | 41095 | STOP WASHER | 1,000 |
| 32 | 41094 | FORK RD | 1,000 |
| 33 | 41104 | CARRIER | 1,000 |
| 34 | 21609 | PIN 5X22 | 1,000 |
| 35 | 71220 | O-RING 8,9X1,9 | 1,000 |
| 41 | 41050 | -> 41052 + 42095 | 1,000 |
| 42 | 41051 | REDUCT. GEAR COVER | 1,000 |
| 43 | 41110 | COVER SEAL | 1,000 |
| 44 | 20558 | RING C/10 15X10 | 1,000 |
| 45 | 20555 | ENDLESS BOLT | 1,000 |
| 47 | 41055 | QUICK SHAFT N.M | 1,000 |
| 48 | 24642 | BEARING | 1,000 |
| 49 | 71218 | LIP SEAL 10X18X4 | 1,000 |

| Number | Part Number | Name | Quantity |
|--------|-------------|---------------------|----------|
| 51 | 41822 | PUSH AXLE (SET) | 1,000 |
| 52 | 41059 | CONTROL ARM | 1,000 |
| 53 | 71244 | BOLT EJ-PT 50X20 | 1,000 |
| 54 | 7094 | FLAT WASHER | 1,000 |
| 55 | 71213 | BOLT M4X10 | 1,000 |
| 56 | 41060 | CLUTCH SPRING | 1,000 |
| 57 | 42095 | BRACKET | 1,000 |
| 58 | 41056 | SELF LUBRICATE BUSH | 1,000 |
| 59 | 23087 | SLOW SHAFT 46 RD | 1,000 |
| 60 | 24269 | OIL BATH RED 1SPEED | 1,000 |
| 61 | 24686 | SPRING | 1,000 |
| 62 | 24275 | VARIATOR PULLEY | 1,000 |
| 63 | 23278 | DISC.GEARBOX 46 VAR | 1,000 |
| 64 | 23279 | DISC.GEARBOX46 ST | 1,000 |

VIVA 46/51

180.01



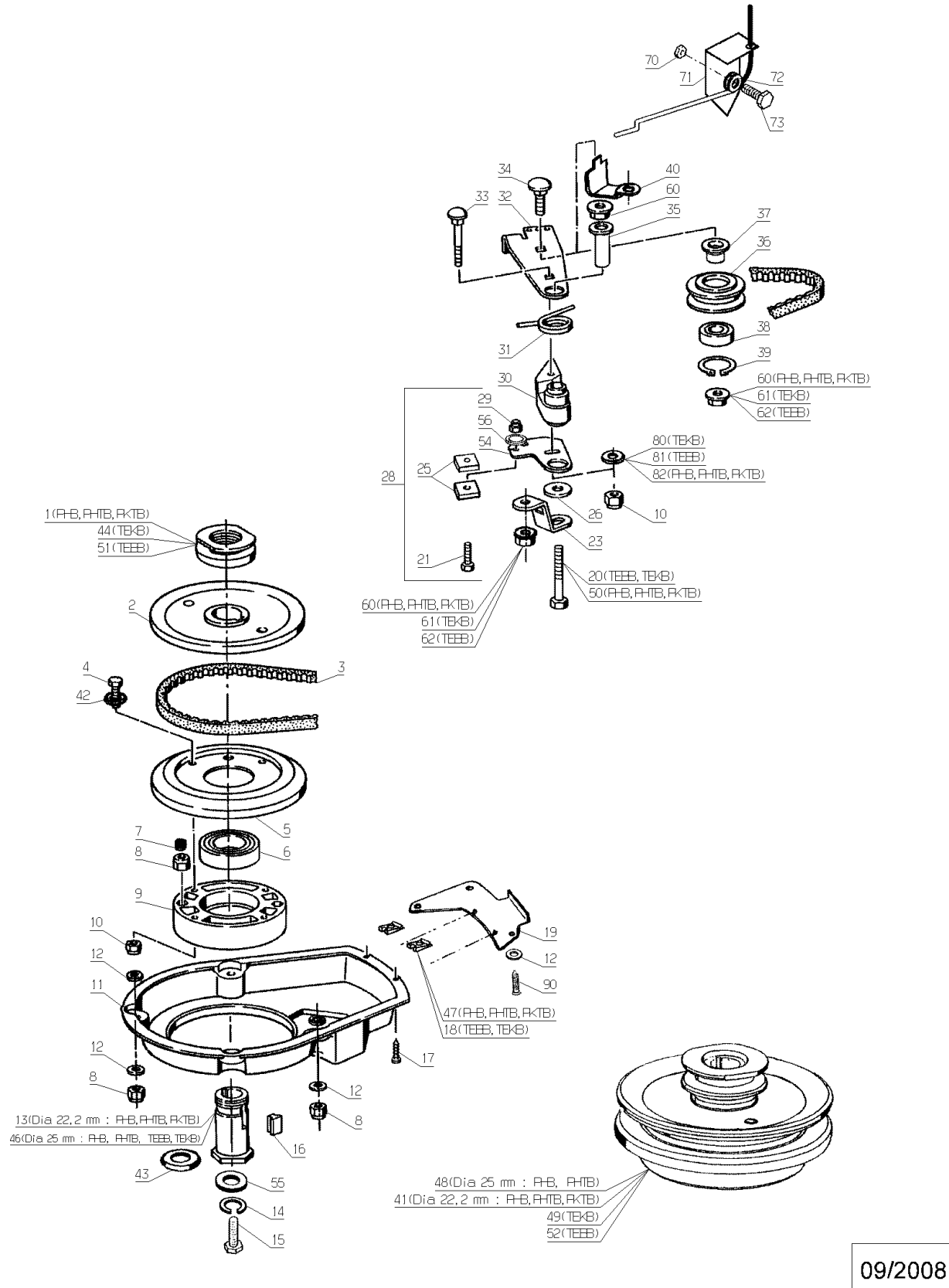
09/2005

| Number | Part Number | Name | Quantity |
|--------|-------------|---------------------|----------|
| 1 | 23720 | PULLEY DIA 44 | 1,000 |
| 2 | 24831 | FLYWHEEL | 1,000 |
| 3 | 24825 | BELT 13X560 | 1,000 |
| 4 | 37997 | SCREW HM6-16 8.8 | 1,000 |
| 5 | 24156 | 1/2 PULLEY | 1,000 |
| 6 | 24832 | BEARING 6007-2RS1 | 1,000 |
| 7 | 40173 | ADJUST - SPRING. | 1,000 |
| 8 | 71205 | SCREW M8 | 1,000 |
| 9 | 24834 | BLADE COUPLING | 1,000 |
| 10 | 71201 | NUT M6 | 1,000 |
| 11 | 24823 | PROTEC. HOUSING | 1,000 |
| 12 | 7335 | WASHER | 1,000 |
| 13 | 24830 | THREADED BUSH | 1,000 |
| 14 | 71052 | SPRING WASHER,DIN 1 | 1,000 |
| 15 | 7342 | BOLT 3/8 - 24 | 1,000 |
| 16 | 40128 | KEY | 1,000 |
| 17 | 6187 | SCREW | 1,000 |
| 18 | 21442 | CLIPS | 1,000 |
| 19 | 24820 | LOWER COVER 51 | 1,000 |
| 20 | 20633 | HEX.SCREW 8X65 | 1,000 |
| 21 | 71268 | FHC SCREW M4X20 | 1,000 |
| 23 | 24150 | RENF. PLATE | 1,000 |
| 25 | 24835 | BRAKE PAD | 1,000 |
| 26 | 7035 | FLAT WASHER | 1,000 |
| 28 | 24430 | BRAKE PAD ASSY | 1,000 |
| 29 | 21525 | NUT HM4 | 1,000 |
| 30 | 24824 | BEARING | 1,000 |
| 31 | 24822 | SPRING | 1,000 |
| 32 | 24151 | CLUTCH PLATE | 1,000 |
| 33 | 5608 | SCREW 6X35 | 1,000 |
| 34 | 5347 | SCREW 8X25 | 1,000 |
| 35 | 24152 | SLEEVE TUBE | 1,000 |
| 36 | 42070 | IRON PULLEY DIA.45 | 1,000 |
| 37 | 24836 | RING | 1,000 |
| 38 | 9022 | BALL BEARING 6002 | 1,000 |
| 39 | 21256 | CIRCLIP | 1,000 |
| 40 | 24155 | BELT STOP | 1,000 |
| 41 | 23429 | FLYW.+PULL.44/D22,2 | 1,000 |
| 42 | 22029 | FLAT WASHER 6,5 | 1,000 |
| 43 | 42068 | WASHER D54,5X35X0,5 | 1,000 |
| 44 | 24829 | PULLEY DIA 42 | 1,000 |

| Number | Part Number | Name | Quantity |
|--------|-------------|---------------------|----------|
| 46 | 24833 | THREADED BUSH | 1,000 |
| 47 | 21436 | CLIPS NUT | 1,000 |
| 48 | 23439 | FLYWHEEL+PUL.44/D25 | 1,000 |
| 49 | 24436 | FLYWHL.+PULL.42/D25 | 1,000 |
| 50 | 71223 | SCREW M8X50 | 1,000 |
| 51 | 23726 | TAPPED PULLEY 45 | 1,000 |
| 52 | 23431 | FLYWHEEL+PUL.45/D25 | 1,000 |
| 54 | 42051 | BRAKE PLATE | 1,000 |
| 55 | 7341 | FLAT WASHER 10,3X49 | 1,000 |
| 56 | 21481 | WASHER | 1,000 |
| 61 | 71076 | NUT VERBUS HM8 | 1,000 |
| 70 | 37561 | NUT | 1,000 |
| 71 | 24153 | SLEEVE STOP | 1,000 |
| 72 | 5070 | CLUTCH PULLEY | 1,000 |
| 73 | 24154 | THREADED SHAFT | 1,000 |
| 80 | 2235 | WASHER A6.4 | 1,000 |
| 82 | 21270 | WASHER 6,4 | 1,000 |
| 90 | 71097 | EJOT SCR.PT A 80X20 | 1,000 |

VIVA 46/51

205.01



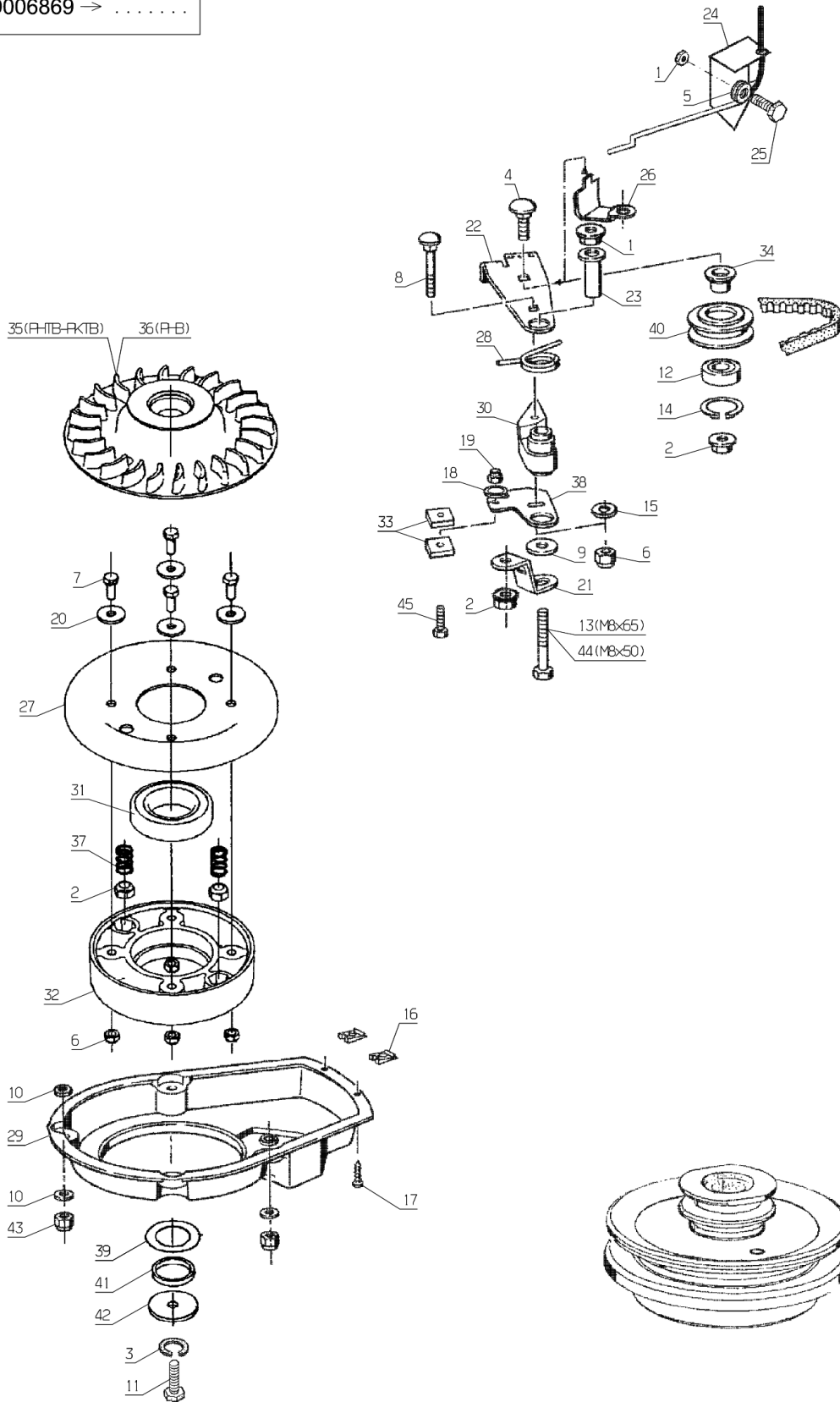
09/2008

| Number | Part Number | Name | Quantity |
|--------|-------------|---------------------|----------|
| 1 | 37561 | NUT | 1,000 |
| 2 | 71205 | SCREW M8 | 1,000 |
| 3 | 71052 | SPRING WASHER,DIN 1 | 1,000 |
| 4 | 5041 | BOLT 8X30 | 1,000 |
| 5 | 5070 | CLUTCH PULLEY | 1,000 |
| 6 | 71201 | NUT M6 | 1,000 |
| 7 | 37997 | SCREW HM6-16 8.8 | 1,000 |
| 8 | 5608 | SCREW 6X35 | 1,000 |
| 9 | 7035 | FLAT WASHER | 1,000 |
| 10 | 7335 | WASHER | 1,000 |
| 11 | 7342 | BOLT 3/8 - 24 | 1,000 |
| 12 | 9022 | BALL BEARING 6002 | 1,000 |
| 13 | 20633 | HEX.SCREW 8X65 | 1,000 |
| 14 | 21256 | CIRCLIP | 1,000 |
| 15 | 21270 | WASHER 6,4 | 1,000 |
| 16 | 21436 | CLIPS NUT | 1,000 |
| 17 | 21437 | SCREW | 1,000 |
| 18 | 21481 | WASHER | 1,000 |
| 19 | 21525 | NUT HM4 | 1,000 |
| 20 | 22029 | FLAT WASHER 6,5 | 1,000 |
| 21 | 24150 | RENF. PLATE | 1,000 |
| 22 | 24151 | CLUTCH PLATE | 1,000 |
| 23 | 24152 | SLEEVE TUBE | 1,000 |
| 24 | 24153 | SLEEVE STOP | 1,000 |
| 25 | 24154 | THREADED SHAFT | 1,000 |
| 26 | 24155 | BELT STOP | 1,000 |
| 27 | 24156 | 1/2 PULLEY | 1,000 |
| 28 | 24822 | SPRING | 1,000 |
| 29 | 24823 | PROTEC. HOUSING | 1,000 |
| 30 | 24824 | BEARING | 1,000 |
| 31 | 24832 | BEARING 6007-2RS1 | 1,000 |
| 32 | 24834 | BLADE COUPLING | 1,000 |
| 33 | 24835 | BRAKE PAD | 1,000 |
| 34 | 24836 | RING | 1,000 |
| 35 | 35709 | WHEEL/FLYWHEEL 25 | 1,000 |
| 36 | 35710 | WHEEL / FLYWHEEL | 1,000 |
| 37 | 40173 | ADJUST - SPRING. | 1,000 |
| 38 | 42051 | BRAKE PLATE | 1,000 |
| 39 | 42068 | WASHER D54,5X35X0,5 | 1,000 |
| 40 | 42070 | IRON PULLEY DIA.45 | 1,000 |
| 41 | 43087 | WASHER 42,4X36X6 | 1,000 |

| Number | Part Number | Name | Quantity |
|--------|-------------|------------------|----------|
| 42 | 43088 | WASHER 49X10,5X4 | 1,000 |
| 43 | 71074 | NUT HM8 | 1,000 |
| 44 | 71223 | SCREW M8X50 | 1,000 |
| 45 | 71268 | FHC SCREW M4X20 | 1,000 |

PHB 1629705 →
 PHTB 9006869 →

PL01760

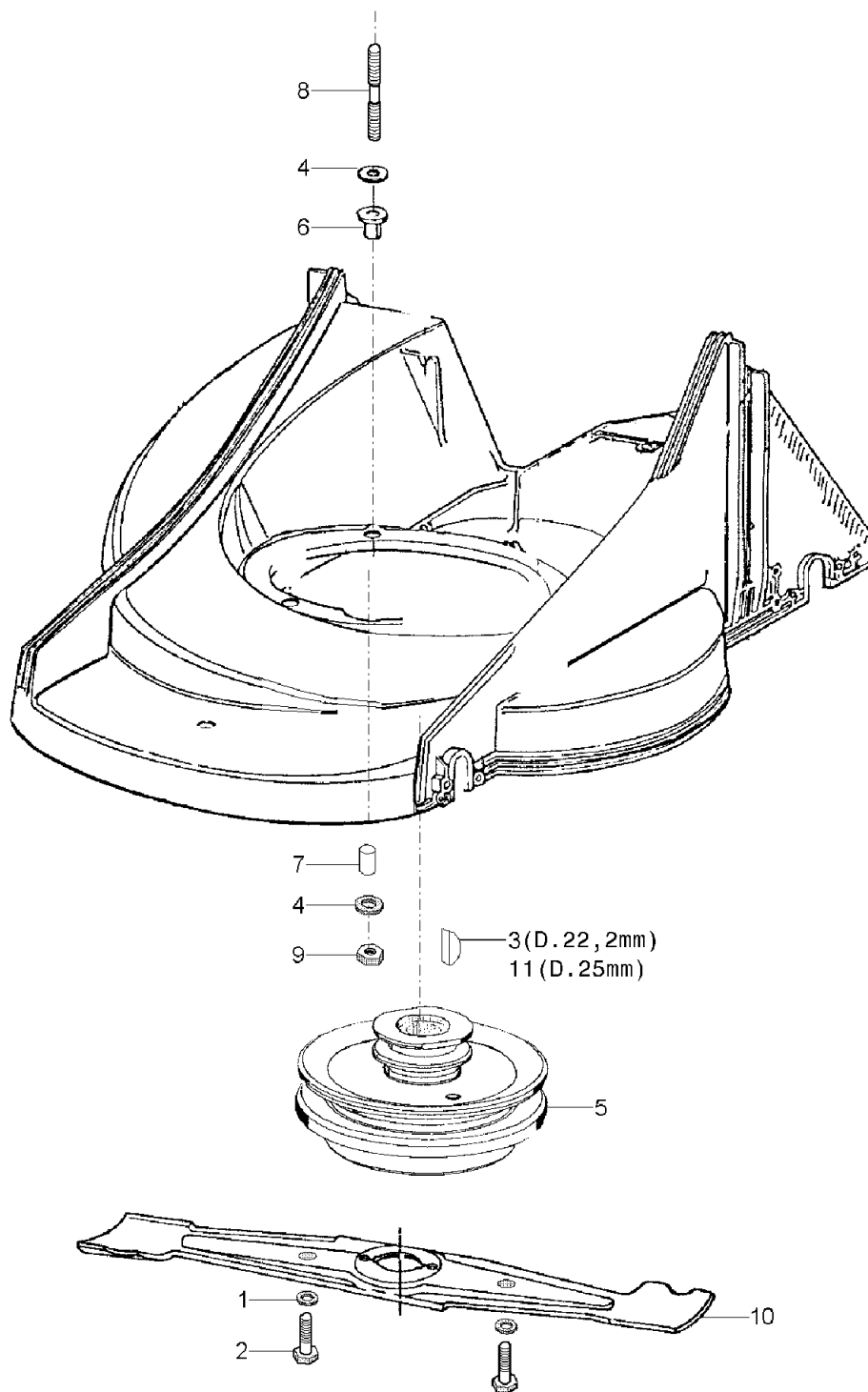


11/2011

| Number | Part Number | Name | Quantity |
|--------|-------------|---------------------|----------|
| 1 | 71343 | SPRING WASHER A8 | 1,000 |
| 2 | 71413 | SCREW HM 8-20 | 1,000 |
| 3 | 7337 | KEY | 1,000 |
| 4 | 22065 | WASHER 25X8,5X3 | 1,000 |
| 5 | 23429 | FLYW.+PULL.44/D22,2 | 1,000 |
| 6 | 23604 | INSULATION MUFF | 1,000 |
| 7 | 23722 | INSULATION MUFF | 1,000 |
| 8 | 24827 | THREADED PIN M10/M8 | 1,000 |
| 9 | 71074 | NUT HM8 | 1,000 |
| 10 | PZ46E | BLADES FOR PRO 46CM | 1,000 |
| 11 | 71127 | KEY 4,8X6,5X15,72 | 1,000 |

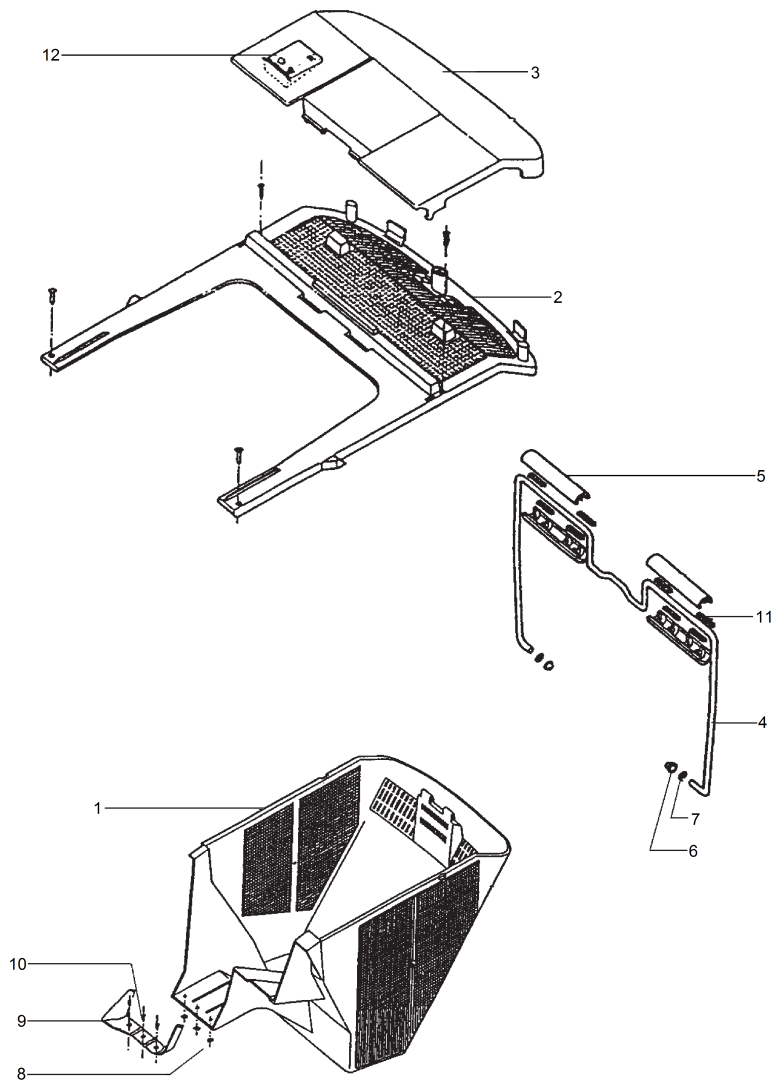
PHB - PHTB
PKTB

PL01132



09/2006

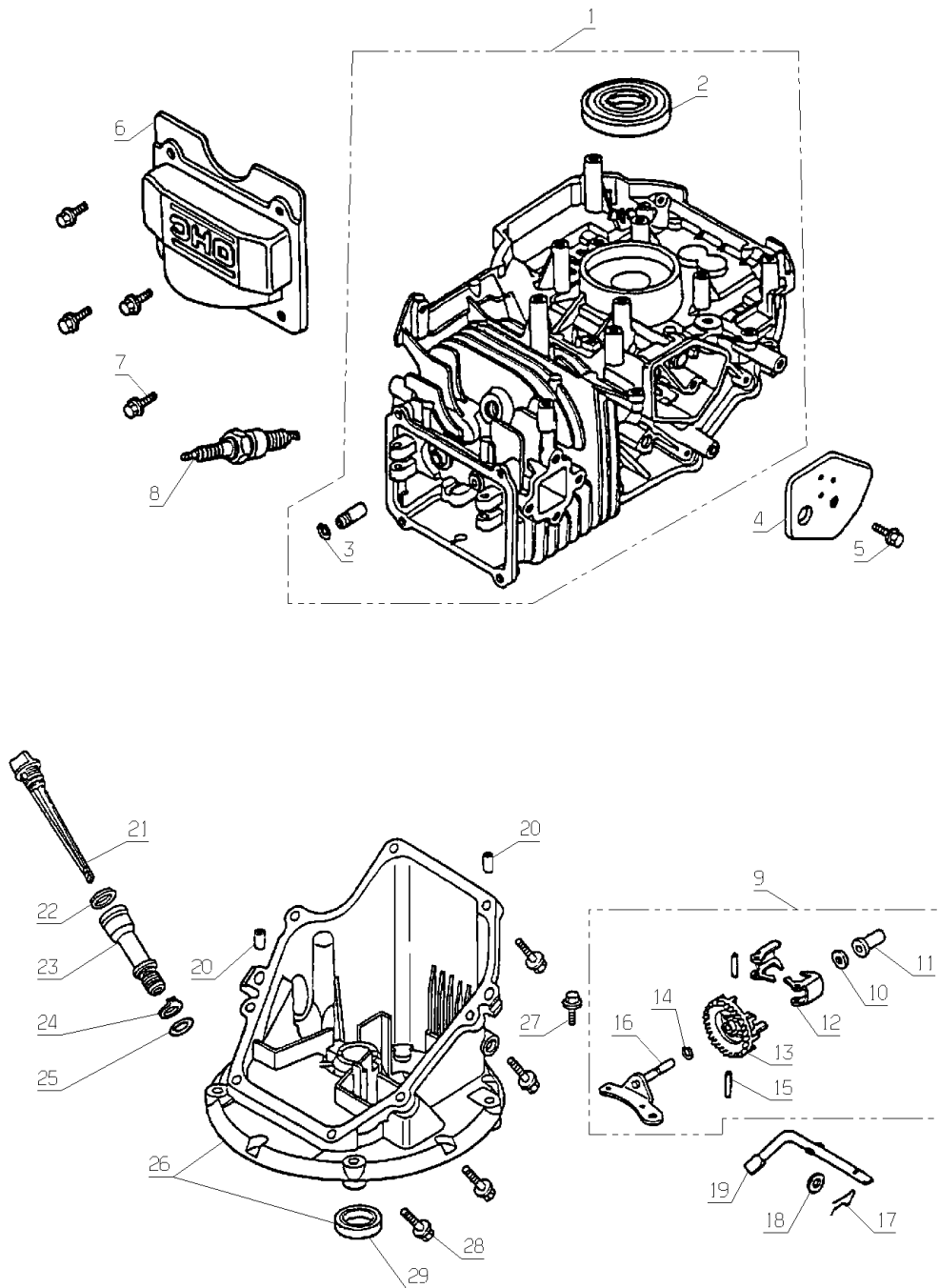
| Number | Part Number | Name | Quantity |
|--------|-------------|---------------------|----------|
| 1 | 23925 | COLLECT.LOWER PU46E | 1,000 |
| 2 | 23926 | COLLECT.UPPER PU46E | 1,000 |
| 3 | 23927 | GREEN DUST GARD | 1,000 |
| 4 | 23904 | COLLECTOR HANDLE 46 | 1,000 |
| 5 | 24991 | -> 2X 24903 | 1,000 |
| 6 | 71164 | STARLOCK TRIM | 1,000 |
| 7 | 7335 | WASHER | 1,000 |
| 8 | 7094 | FLAT WASHER | 1,000 |
| 9 | 23253 | FAN HOUSING NG46 | 1,000 |
| 10 | 21204 | RIVET TP 4X7,9 | 1,000 |
| 11 | 24906 | FOAM PADDING | 1,000 |
| 12 | 23928 | INDICATOR FILLING G | 1,000 |



| Number | Part Number | Name | Quantity |
|--------|-------------|---------------------|----------|
| 1 | 18500 | CRANKCASE 160 | 1,000 |
| 2 | 18507 | COLLAR | 1,000 |
| 3 | 18502 | CIRCLIP | 1,000 |
| 4 | 18504 | COVER | 1,000 |
| 5 | 18506 | SCREW 6X14 | 1,000 |
| 6 | 18503 | CASE ROCKER | 1,000 |
| 7 | 18505 | SCREW 6X12 | 1,000 |
| 8 | 3861 | SPARK PLUG D.14X19R | 1,000 |
| 9 | 18516 | SLINGER OIL | 1,000 |
| 10 | 18523 | WASHER 6MM | 1,000 |
| 11 | 18520 | PIVOT | 1,000 |
| 12 | 18517 | FEEDER | 1,000 |
| 13 | 18518 | SLINGER OIL | 1,000 |
| 14 | 18524 | CIRCLIPS | 1,000 |
| 15 | 18519 | COTTER PIN | 1,000 |
| 16 | 18515 | REGULATOR SHAFT | 1,000 |
| 17 | 18528 | CUP | 1,000 |
| 18 | 18527 | WASHER 6MM | 1,000 |
| 19 | 18521 | GOVERNOR SHAFT | 1,000 |
| 20 | 18529 | SLEEVE | 1,000 |
| 21 | 18511 | OIL GAUGE | 1,000 |
| 22 | 18512 | SEAL | 1,000 |
| 23 | 18513 | FILLING TUBE | 1,000 |
| 24 | 18514 | WASHER | 1,000 |
| 25 | 18526 | O-RING | 1,000 |
| 26 | 18510 | OILSUMP | 1,000 |
| 28 | 18522 | SCREW 6X25 | 1,000 |
| 29 | 18525 | OIL SEAL | 1,000 |

HONDA
OHC 160

261.01

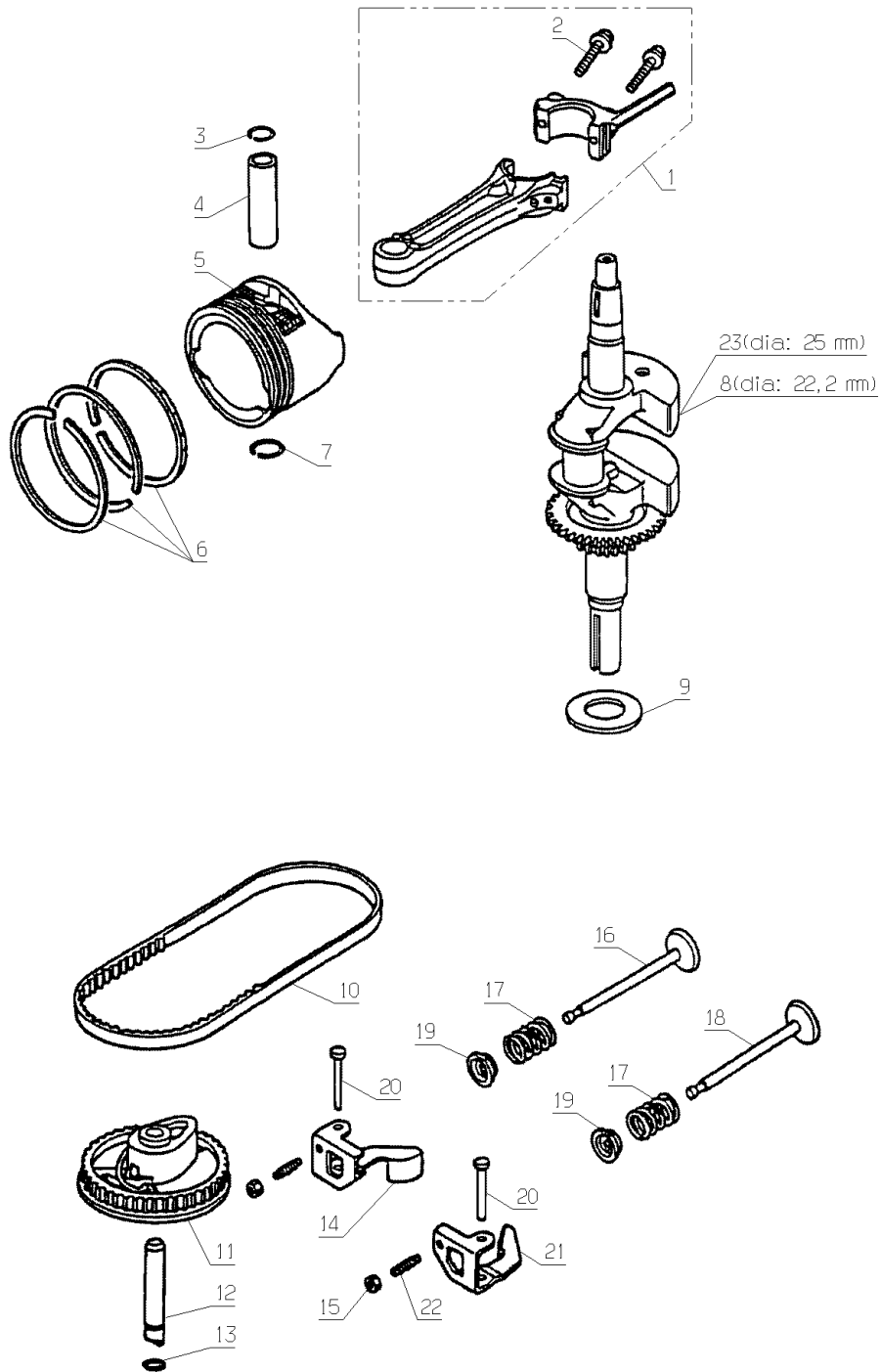


04/2005

| Number | Part Number | Name | Quantity |
|--------|-------------|---------------------|----------|
| 1 | 18535 | ROD ASSY CONNECTING | 1,000 |
| 2 | 18537 | SCREW | 1,000 |
| 3 | 18538 | CIRCLIPS 13MM | 1,000 |
| 4 | 18534 | PISTON PIN | 1,000 |
| 5 | 18533 | PISTON | 1,000 |
| 6 | 18539 | PISTON RING, SET OF | 1,000 |
| 8 | 18530 | CRANKSHAFT 160 | 1,000 |
| 9 | 18532 | WASHER THRUST | 1,000 |
| 10 | 18543 | BELT | 1,000 |
| 11 | 18541 | PULLEY | 1,000 |
| 12 | 18542 | SHAFT | 1,000 |
| 13 | 18554 | O-RING 6,8X1,9 | 1,000 |
| 14 | 18546 | ROCKER ARM EXHAUST | 1,000 |
| 15 | 18553 | NUT | 1,000 |
| 16 | 18549 | EXH. VALVE | 1,000 |
| 17 | 18550 | VALVE SPRING | 1,000 |
| 18 | 18548 | INLETVALVE | 1,000 |
| 19 | 18551 | VALVE CUP | 1,000 |
| 20 | 18547 | SHAFT | 1,000 |
| 21 | 18545 | ROCKER ARM INLET | 1,000 |
| 22 | 18552 | ADJUSTING SCREW | 1,000 |
| 23 | 18540 | CRANKSHAFT 160 D.25 | 1,000 |

HONDA
OHC 160

263.01

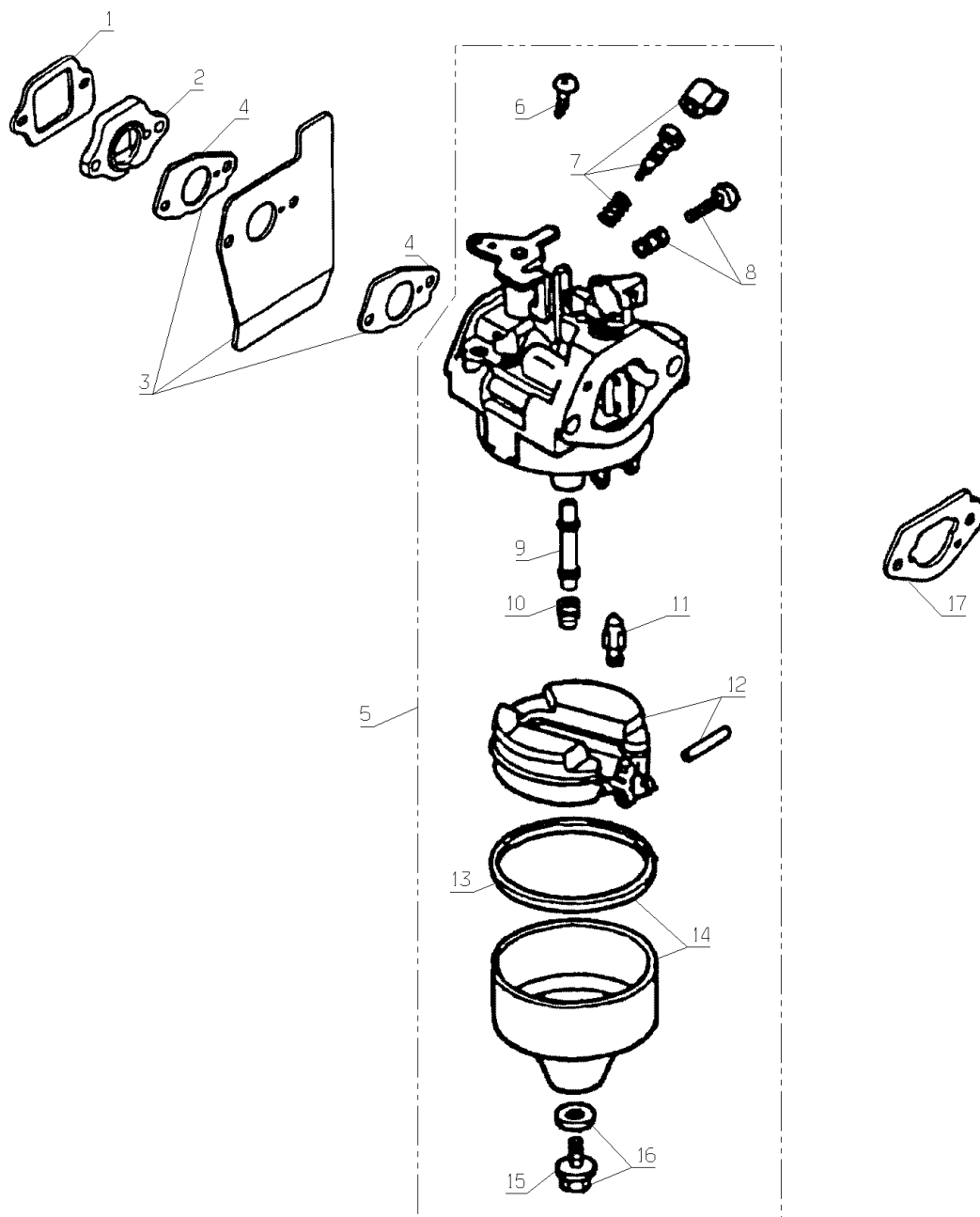


09/2008

| Number | Part Number | Name | Quantity |
|--------|-------------|---------------------|----------|
| 1 | 18588 | GASKET | 1,000 |
| 2 | 18587 | INSULATOR | 1,000 |
| 3 | 18591 | DEFLECTOR | 1,000 |
| 4 | 18589 | SEAL | 1,000 |
| 5 | 18582 | CARBURETOR 160 | 1,000 |
| 6 | 18593 | SCREW | 1,000 |
| 7 | 18579 | ADJUSTING SCREW SET | 1,000 |
| 8 | 18581 | SCREW WITH SPRING | 1,000 |
| 9 | 18585 | CHOKE TUBE | 1,000 |
| 10 | 18595 | JET DIA.65 | 1,000 |
| 11 | 18584 | FLOAT SPINDLE | 1,000 |
| 12 | 18577 | FLOAT | 1,000 |
| 13 | 18576 | GASKET SET | 1,000 |
| 14 | 18578 | FLOAT CHAMBER +SEAL | 1,000 |
| 16 | 18580 | SCREW WITH SEAL | 1,000 |
| 17 | 18590 | SEAL | 1,000 |

HONDA
OHC 160

265.01

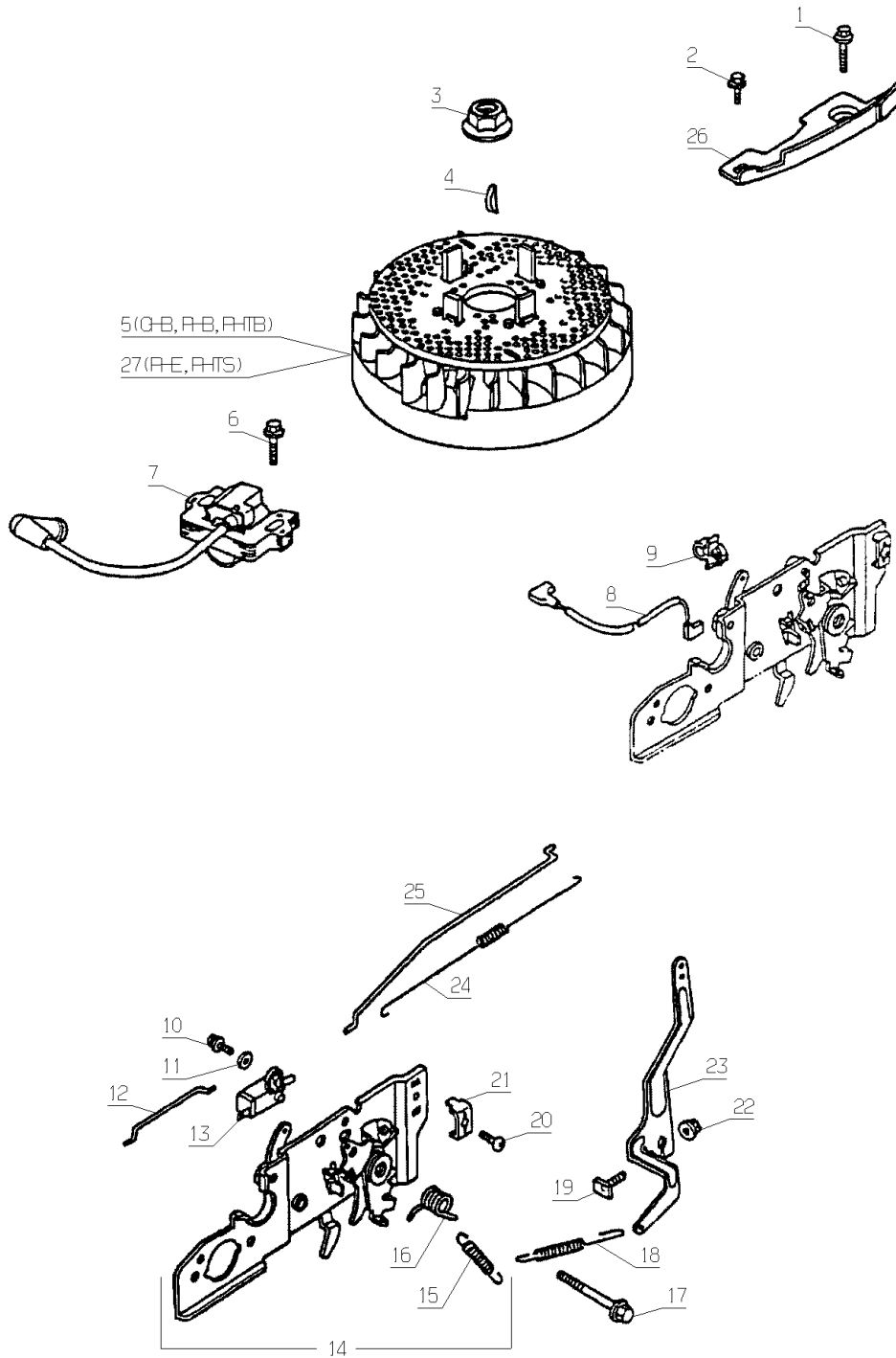


09/2008

| Number | Part Number | Name | Quantity |
|--------|-------------|---------------------|----------|
| 1 | 18505 | SCREW 6X12 | 1,000 |
| 2 | 18506 | SCREW 6X14 | 1,000 |
| 3 | 18628 | SPECIAL NUT 14MM | 1,000 |
| 4 | 18620 | WOODRUFF KEY | 1,000 |
| 5 | 18623 | FLYWHEEL | 1,000 |
| 6 | 18627 | SCREW | 1,000 |
| 7 | 18622 | COIL TRANSISTER | 1,000 |
| 8 | 18625 | GROUND CABLE | 1,000 |
| 9 | 18629 | BRACKET | 1,000 |
| 10 | 18630 | SCREW 4X12 | 1,000 |
| 11 | 18631 | WASHER 4MM | 1,000 |
| 12 | 18648 | ROD, CHOKE | 1,000 |
| 13 | 18626 | SWITCH | 1,000 |
| 14 | 18646 | DRIVE PLATE ENG.BR. | 1,000 |
| 15 | 18643 | SPRING | 1,000 |
| 16 | 18647 | RETURN SPRING | 1,000 |
| 17 | 18650 | SCREW | 1,000 |
| 18 | 18639 | GOVERNOR SPRING | 1,000 |
| 19 | 18649 | SCREW LEVER | 1,000 |
| 20 | 18651 | SCREW 5X16 | 1,000 |
| 21 | 18644 | CLAMP | 1,000 |
| 22 | 18652 | NUT 6MM | 1,000 |
| 23 | 18636 | REGULATOR LEVER | 1,000 |
| 24 | 18641 | RETURN SPRING | 1,000 |
| 25 | 18637 | GOVERNOR ROD | 1,000 |
| 26 | 18621 | FLANGE | 1,000 |
| 27 | 18632 | FLYWHEEL | 1,000 |

HONDA
OHC 160

267.01

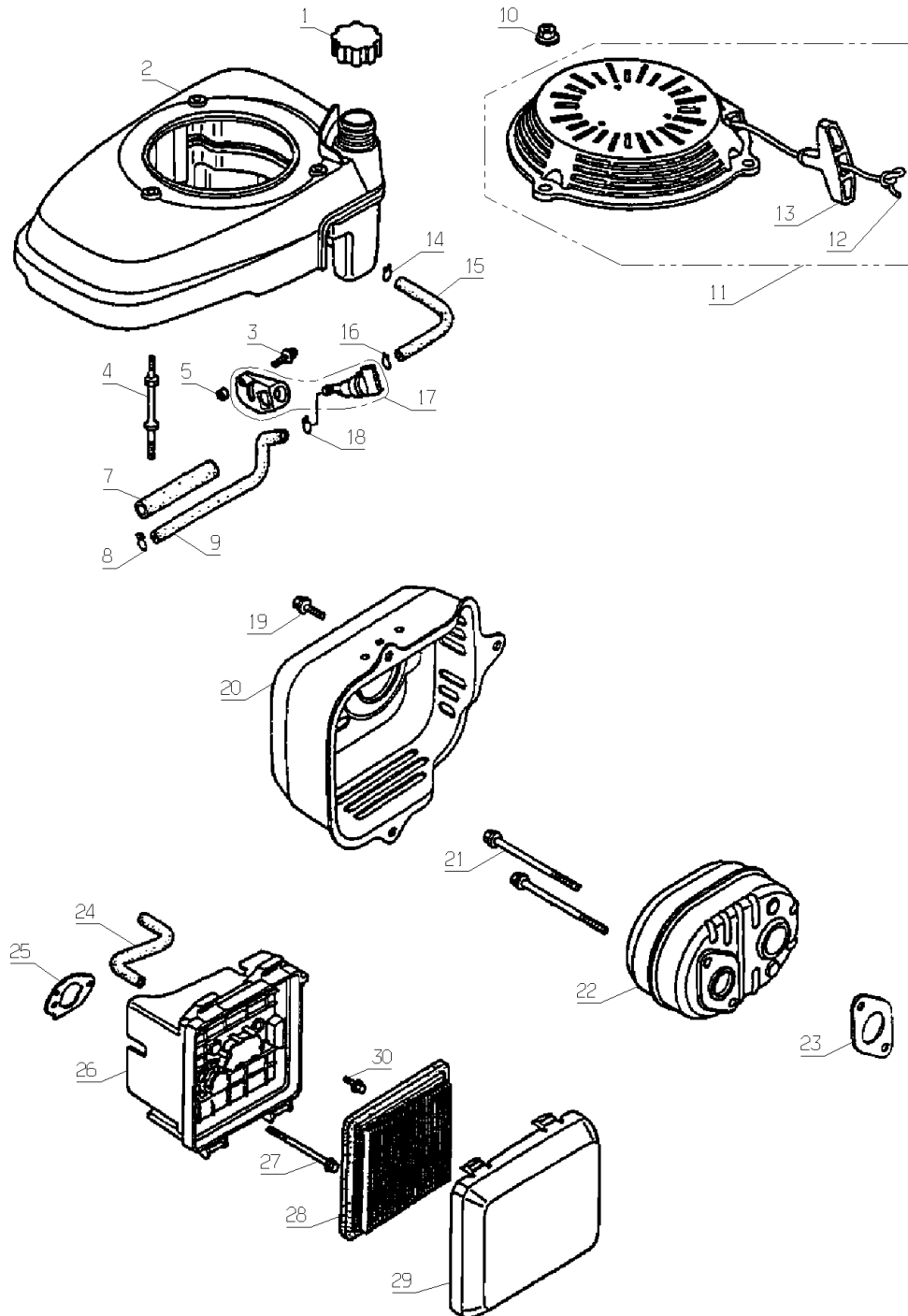


04/2005

| Number | Part Number | Name | Quantity |
|--------|-------------|--------------------|----------|
| 1 | 18563 | PLUG | 1,000 |
| 2 | 18565 | TANK CPL BLACK | 1,000 |
| 3 | 18570 | SCREW | 1,000 |
| 4 | 18569 | THREADED STUD | 1,000 |
| 5 | 18567 | RING | 1,000 |
| 7 | 18560 | RUBBER BRACKET | 1,000 |
| 8 | 18573 | CLIP | 1,000 |
| 9 | 18564 | HOSE | 1,000 |
| 10 | 18558 | NUT | 1,000 |
| 11 | 18556 | STARTER ASSY BLACK | 1,000 |
| 12 | 18559 | ROPE | 1,000 |
| 13 | 18557 | STARTER HANDLE | 1,000 |
| 14 | 18574 | CLIP | 1,000 |
| 15 | 18572 | HOSE 5,3X200 | 1,000 |
| 17 | 18561 | COCK | 1,000 |
| 18 | 18575 | CLIP | 1,000 |
| 19 | 18505 | SCREW 6X12 | 1,000 |
| 20 | 18611 | MISSION GUARD | 1,000 |
| 21 | 18612 | SCREW | 1,000 |
| 22 | 18610 | EXHAUST | 1,000 |
| 23 | 18613 | GASKET | 1,000 |
| 24 | 18600 | INLETTUBE | 1,000 |
| 25 | 18603 | FILTER GASKET | 1,000 |
| 26 | 18602 | FILTERBOX | 1,000 |
| 27 | 18605 | SCREW | 1,000 |
| 28 | 18607 | FILTER | 1,000 |
| 29 | 18604 | FILTER COVER | 1,000 |
| 30 | 18606 | SCREW | 1,000 |

HONDA
GCV 160

269.01



04/2009