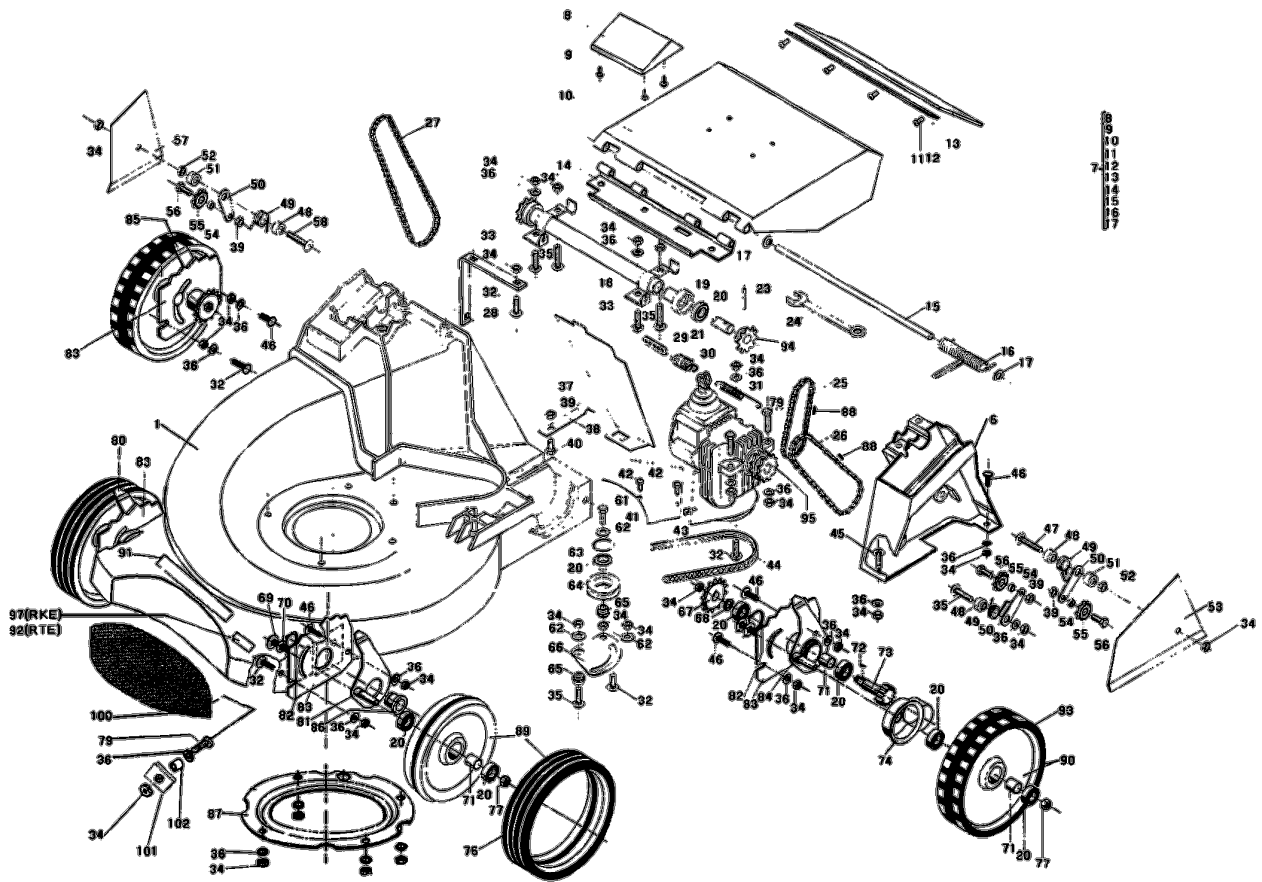


Number	Part Number	Name	Quantity
1	40289	CUTTING DECK 56CM	1,000
6	40251	HANDLEBAR BRACKET	1,000
7	40314	DEFLECTOR COMPLET	1,000
8	40047	GRIP	1,000
9	7914	SCREW	1,000
10	40256	DEFLECTOR	1,000
11	71113	NAIL RIVET, DIA. 4X	1,000
12	40071	REINFORCEMENT	1,000
13	40048	FLAP	1,000
14	40255	HINGE	1,000
15	40070	DEFLECTOR AXLE	1,000
16	40069	DEFLECTOR SPRING	1,000
17	7377	TRUARC COLLAR DIN 7	1,000
18	40330	AXLE TUBE	1,000
19	40010	SLEEVE	1,000
20	9022	BALL BEARING 6002	1,000
21	40011	AXLE	1,000
23	9033	PIN DIN 7343	1,000
24	25971	WRENCH 17	1,000
25	21678	CHAIN	1,000
26	40013	CHAIN	1,000
27	5060	CHAIN	1,000
28	40079	BRACKET	1,000
29	40067	ADJUSTEMENT PLATE	1,000
30	24686	SPRING	1,000
31	5203	RETURN SPRING	1,000
32	5041	BOLT 8X30	1,000
33	5347	SCREW 8X25	1,000
34	71205	SCREW M8	1,000
35	71118	SCREW 8X35	1,000
36	7335	WASHER	1,000
37	40260	REAR COVER	1,000
38	40016	LOCK	1,000
39	71201	NUT M6	1,000
40	21608	SCREW 6X16 DIN	1,000
41	40022	BELT COVER	1,000
42	6187	SCREW	1,000
43	21442	CLIPS	1,000
44	40059	BELT	1,000
45	9057	SQUARE BOLT,DIN 603	1,000
46	9071	SCREW M8X20	1,000

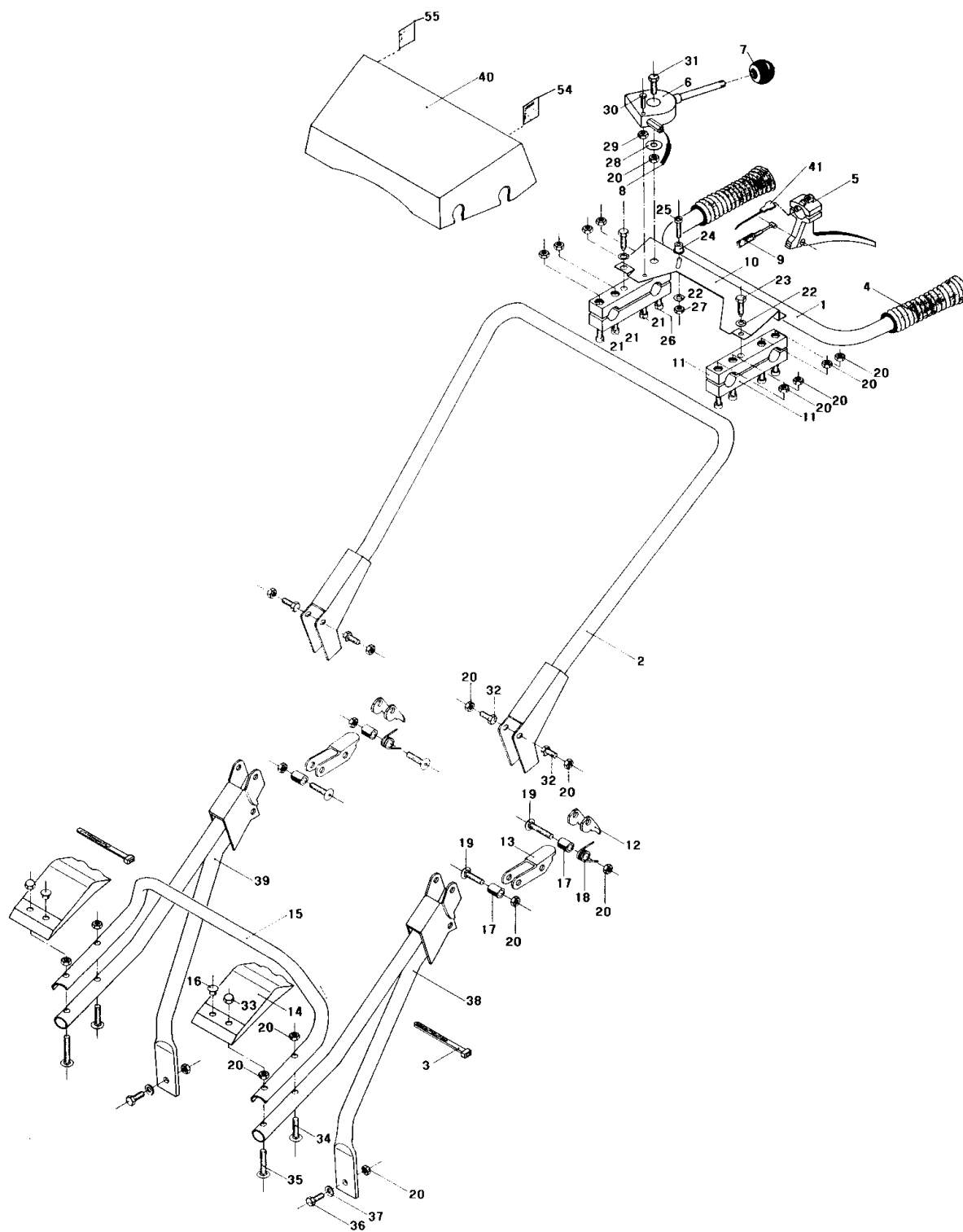
Number	Part Number	Name	Quantity
47	21513	BOLT M8X50	1,000
48	40065	BRACE	1,000
49	40063	TENSIONNER SPRING	1,000
50	40014	TENSIONER LEVER	1,000
51	40068	BRACE	1,000
52	2020	NUT HM8	1,000
53	40258	LEFT SIDE COVER	1,000
54	40078	BRACE	1,000
55	40064	9 TOOTH GEAR	1,000
56	20507	BOLT HM 6X20	1,000
57	40259	RIGHT SIDE COVER	1,000
58	22031	SCREW 8X55	1,000
59	9056	BOLT 8X25	1,000
60	21114	BOLT 8X40	1,000
61	9061	BOLT 8X30	1,000
62	7035	FLAT WASHER	1,000
63	21256	CIRCLIP	1,000
64	24659	GROOVE PULLEY	1,000
65	40031	RING	1,000
66	40030	PULLEY SUPPORT	1,000
67	2047	FREE WHEEL	1,000
68	9024	BRACE	1,000
69	71445	SCREW J M10-75	1,000
70	40085	WASHER	1,000
71	40082	BRACE	1,000
72	2048	KEY	1,000
73	40081	DRIVING SHAFT	1,000
74	40066	GEAR HOUSING	1,000
76	9026	TYRE D. 220	1,000
77	9017	NUT HM10	1,000
79	7038	SCREW, DIN933 H M 8X	1,000
80	40306	WHEEL CARRIER F. R.	1,000
81	40305	WHEEL CARRIER F. L	1,000
82	71010	CIRCLIPS	1,000
83	40007	FIXED PLATE	1,000
84	40303	WHEEL CARRIER R.L	1,000
85	40304	WHEEL CARRIER R. R	1,000
86	9062	RING	1,000
87	40267	FLANGE BLACK	1,000
88	5388	CHAIN QUICK CONNECT	1,000
89	40301	FRONT WHEEL	1,000

Number	Part Number	Name	Quantity
90	40300	REAR WHEEL	1,000
91	12048	STICKER 26*4	1,000
92	12711	12711	1,000
93	40107	REARWHEEL TIRE	1,000
94	9032	10 TOOTH GEAR	1,000
95	40479	DOUBLE PIGNON 10 T.	1,000
96	40476	DOUBLE 11T. GEAR	1,000
97	12727	12727	1,000
100	42042	FRONT BUMPER	1,000
101	42059	BUMPER PLATE	1,000
102	42043	BUSH 15X8,5X10	1,000
103	40291	FENDER KIT RT56	1,000

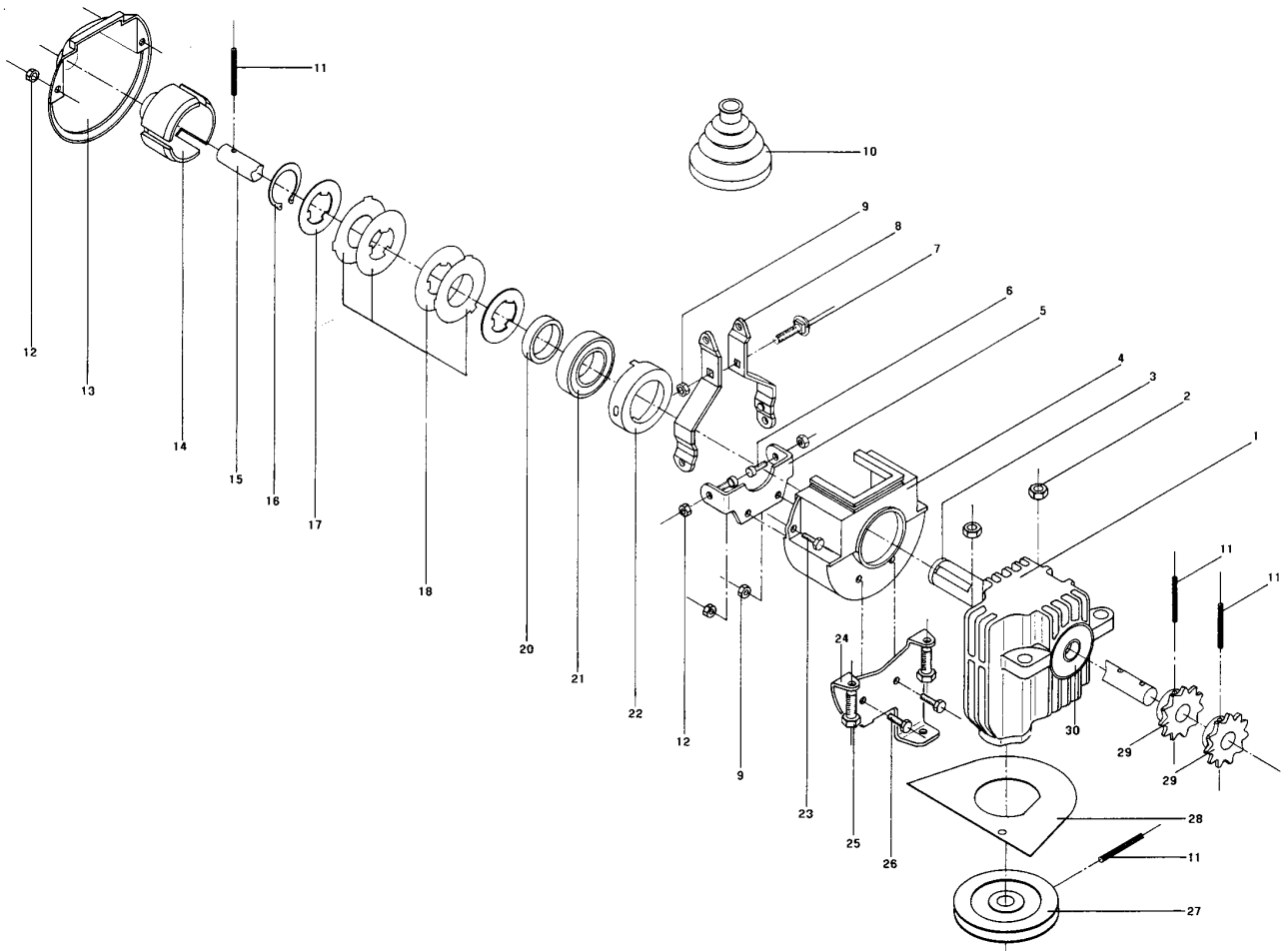


Number	Part Number	Name	Quantity
1	40262	UPPER HANDLEBAR	1,000
2	40324	INTERMEDIATE HANDLE	1,000
3	21119	COLLAR 260 MM	1,000
4	5356	HANDLEBAR GRIP	1,000
5	21156	TRACTION LEVER	1,000
6	5468	SPEED CONTROL	1,000
7	21177	BALL M8	1,000
8	40036	SPEED CONTROL CABLE	1,000
9	40035	CLUTCH CABLE+SHEATH	1,000
10	5946	SUPPORT PLATE	1,000
11	21113	HANDLEBAR LOCK	1,000
12	40080	LOCKING CAM	1,000
13	40039	LOCKING BODY	1,000
14	40257	CHAIN COVER	1,000
15	40044	DECK CROSS BEAM	1,000
16	40015	PLUG	1,000
17	40083	TUBE	1,000
18	40084	SPRING	1,000
19	9057	SQUARE BOLT,DIN 603	1,000
20	71205	SCREW M8	1,000
21	21116	BOLT M 8 X 40	1,000
22	2235	WASHER A6.4	1,000
23	5498	TAPTITE BOLT M6X16	1,000
24	23033	GUIDE RING	1,000
25	1340	BOLT M6X20	1,000
26	5490	BOLT M8X50	1,000
27	71201	NUT M6	1,000
28	5444	WASHER	1,000
29	21525	NUT HM4	1,000
30	5486	BOLT HM 4X30	1,000
31	9061	BOLT 8X30	1,000
32	40102	PIVOT	1,000
33	5043	NUT	1,000
34	20520	BOLT 8X45	1,000
35	21513	BOLT M8X50	1,000
36	9071	SCREW M8X20	1,000
37	7335	WASHER	1,000
38	40319	HANDLEBAR LEFT	1,000
39	40318	HANDLEBAR RIGHT	1,000
40	40037	COVER	1,000
41	40156	EARTH CABLE	1,000

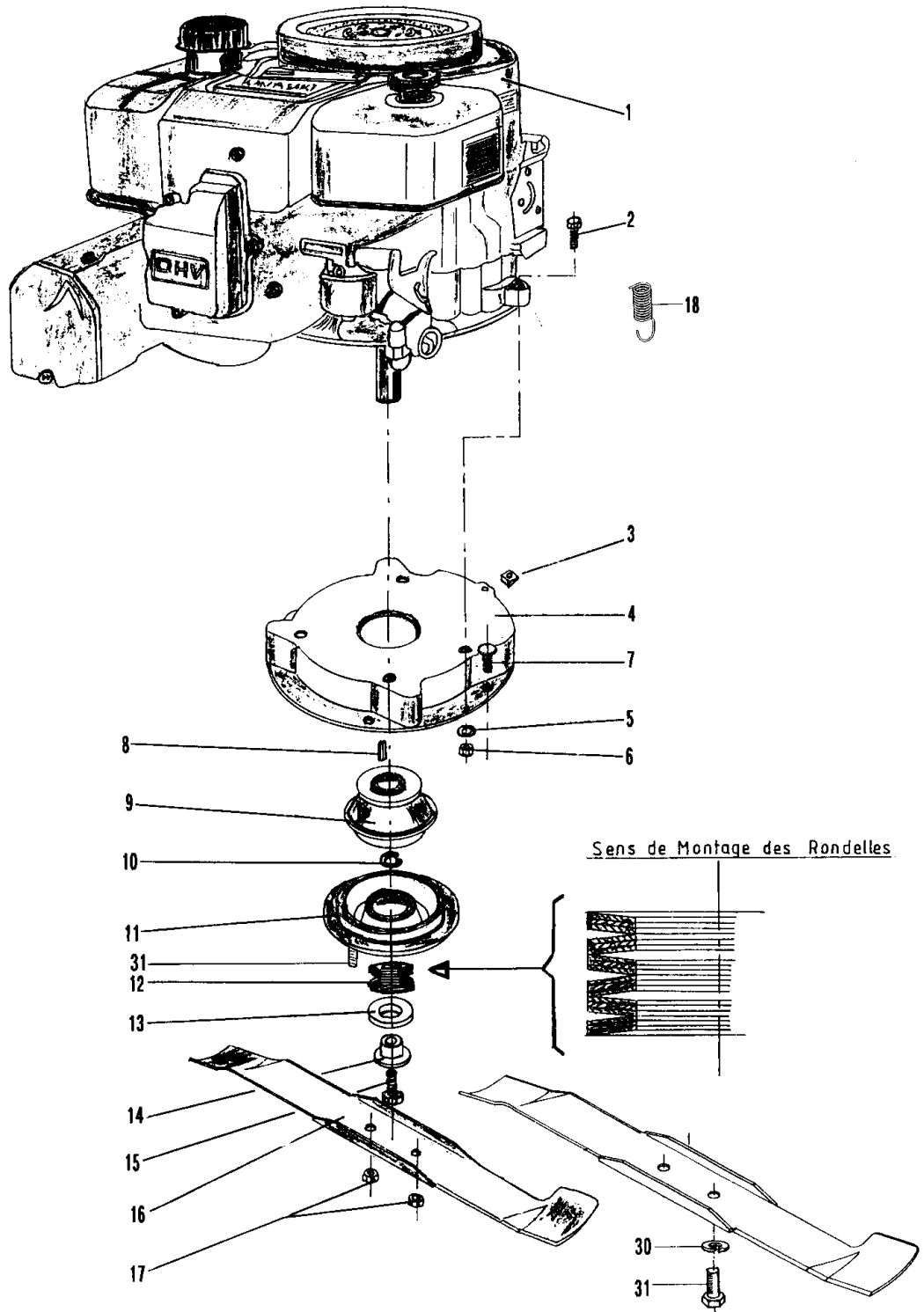
Number	Part Number	Name	Quantity
54	12047	STICKER ETESIA	1,000
55	12098	12098	1,000



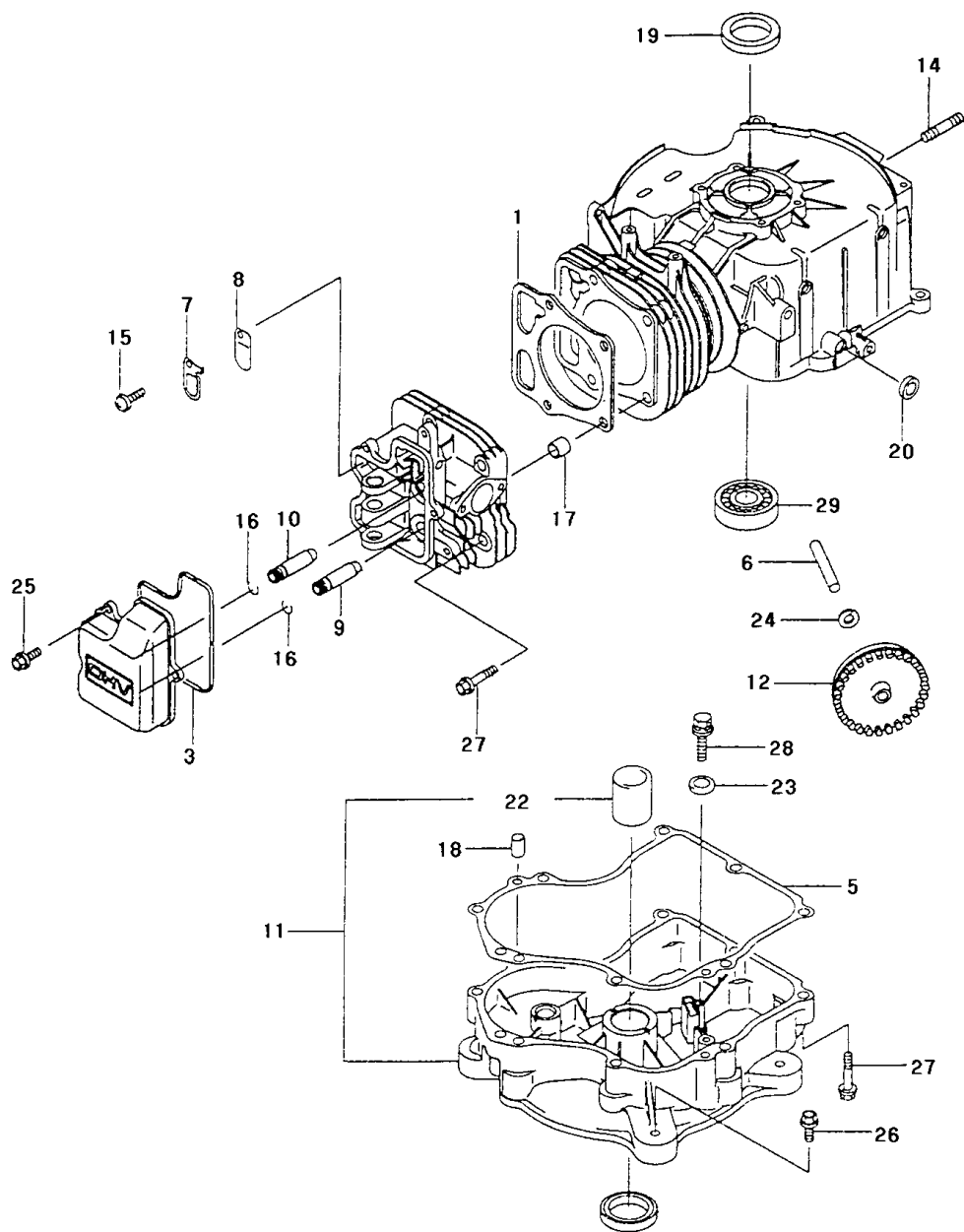
Number	Part Number	Name	Quantity
1	9974	STANDARD REDUCTION	1,000
2	71205	SCREW M8	1,000
3	40108	RING C15 19X16BP25	1,000
4	40273	VARNISHED CLUTCH HO	1,000
5	40020	CLUTCH LEVER	1,000
6	5464	BOLT M5X10	1,000
7	21608	SCREW 6X16 DIN	1,000
8	40350	WELDED CLUTCH LEVER	1,000
9	71201	NUT M6	1,000
10	40029	PROTECTION BELLOWS	1,000
11	9033	PIN DIN 7343	1,000
12	37561	NUT	1,000
13	40274	VARNISHED HOUSING	1,000
14	40026	DRIVE HOUSING	1,000
15	40027	REDUCTION GEAR OUTP	1,000
16	9201	CIRCLIP	1,000
17	9203	THRUSTDISK	1,000
18	40298	SET OF CLUTCH DISKS	1,000
20	40025	CLUTCH RING	1,000
21	5454	THRUST BEARING 6006	1,000
22	40024	BEARING CAGE	1,000
23	2009	BOLT M5X16	1,000
24	40003	REDUCTION GEAR HOUS	1,000
25	9056	BOLT 8X25	1,000
26	20507	BOLT HM 6X20	1,000
27	40017	REDUCTION GEAR PULL	1,000
28	40253	FIXED BELT COVER	1,000
29	9032	10 TOOTH GEAR	1,000
30	9022	BALL BEARING 6002	1,000



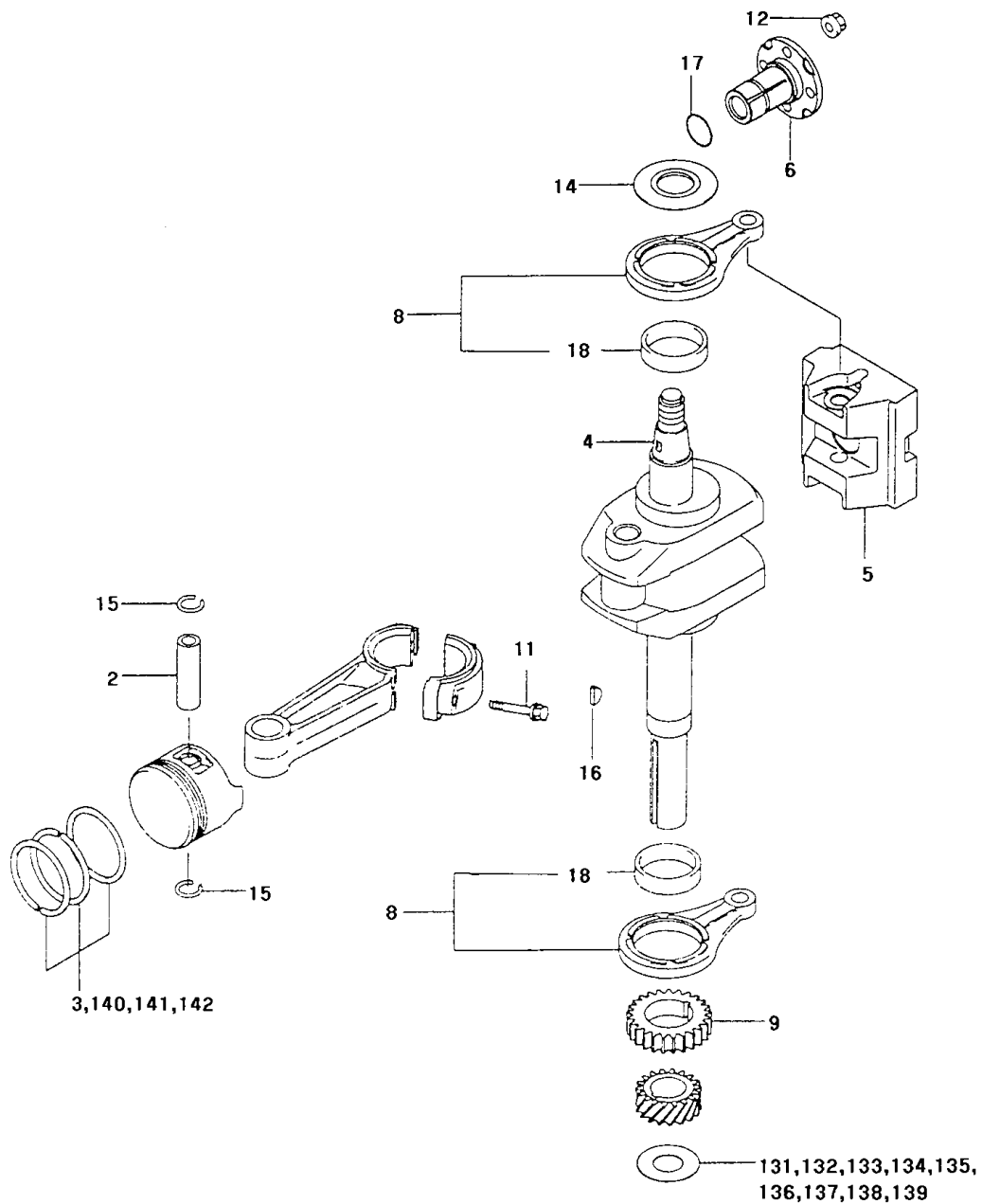
Number	Part Number	Name	Quantity
1	40097	KAWA ENGINE FC290V	1,000
2	9061	BOLT 8X30	1,000
3	21436	CLIPS NUT	1,000
4	40272	ENGINE BEARER	1,000
5	7335	WASHER	1,000
6	71205	SCREW M8	1,000
7	5041	BOLT 8X30	1,000
8	71007	B-SHAPE KEY 6.35X6.	1,000
9	40154	DRIVING CONE	1,000
10	21256	CIRCLIP	1,000
11	9103	CONICAL COUPLING	1,000
12	40444	COUPLING WASHERS	1,000
13	9015	THRUST BALL BEARING	1,000
14	40160	BUSHING + WASHER	1,000
15	7357	-> 71031	1,000
16	RZA56	BLADE FOR RTE	1,000
17	9017	NUT HM10	1,000
18	6190	BACK SPRING	1,000
30	71052	SPRING WASHER,DIN 1	1,000
31	70086	HEXAGON SCREW,DIN 9	1,000



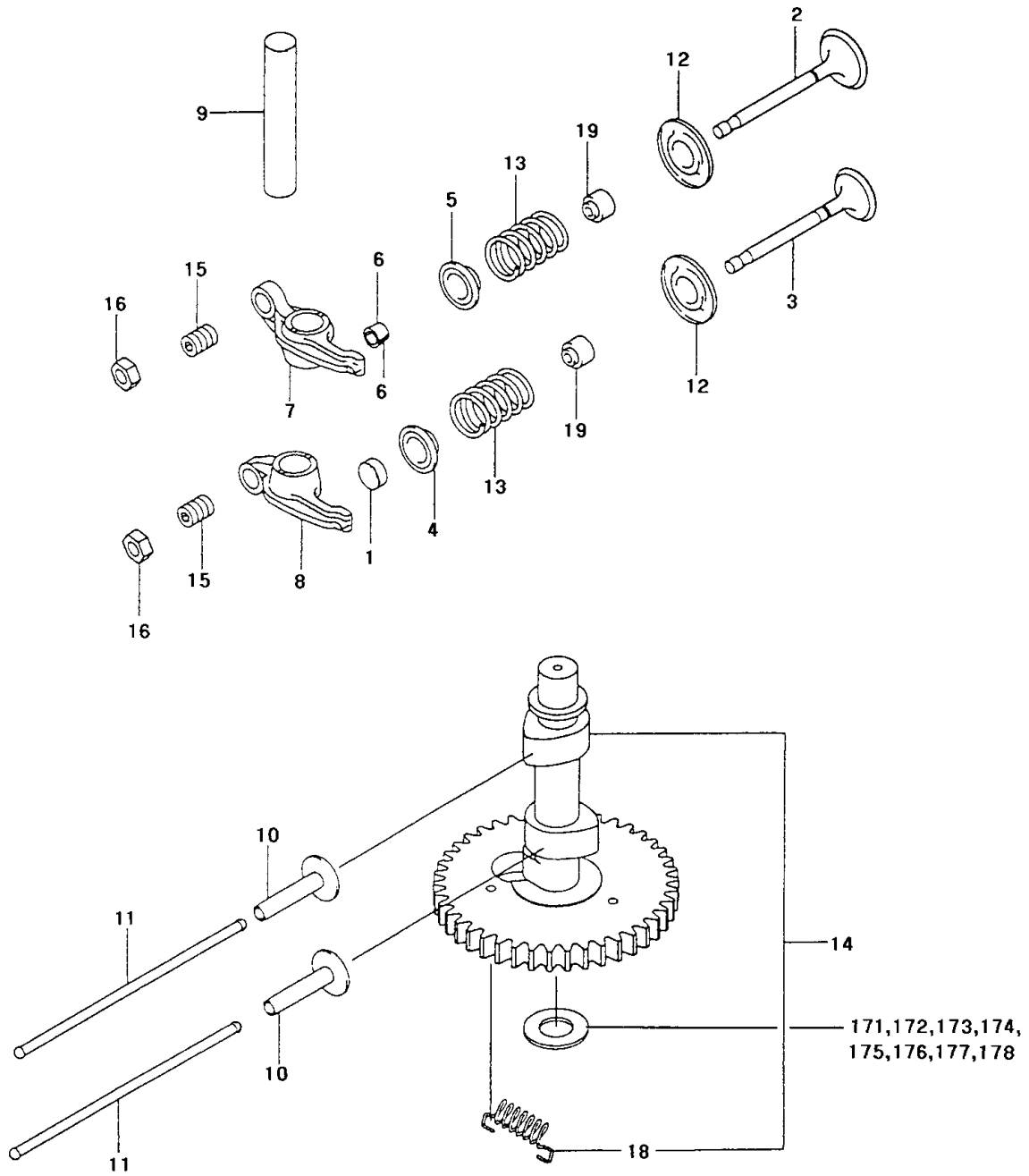
Number	Part Number	Name	Quantity
1	17516	GASKET NEAD	1,000
3	17503	GASKET ROCKER CASE	1,000
5	17505	GASKET CRANKCASE CO	1,000
6	17506	SHAFT	1,000
7	17507	PLATE	1,000
8	17508	VALVE	1,000
9	17509	GUIDE VALVE EXHAUST	1,000
10	17510	GUIDE VALVE INTAKE	1,000
11	17511	COVER CRANKCASE	1,000
12	17512	SLINGER OIL	1,000
14	15611	PIN	1,000
15	15604	SCREW	1,000
16	15613	CLIP	1,000
17	17514	CENTRING STUD	1,000
18	15623	CENTRING STUD	1,000
19	17720	COLLAR	1,000
20	15616	GASKET	1,000
22	17518	BEARING PLANE	1,000
23	17519	WASHER 5X16X0,8	1,000
24	17520	WASHER 6X12X1,6	1,000
25	15601	SCREW	1,000
26	15628	SCREW	1,000
27	15626	SCREW	1,000
28	17521	BOLT UPSET WSP	1,000
29	17522	BEARING BALL	1,000



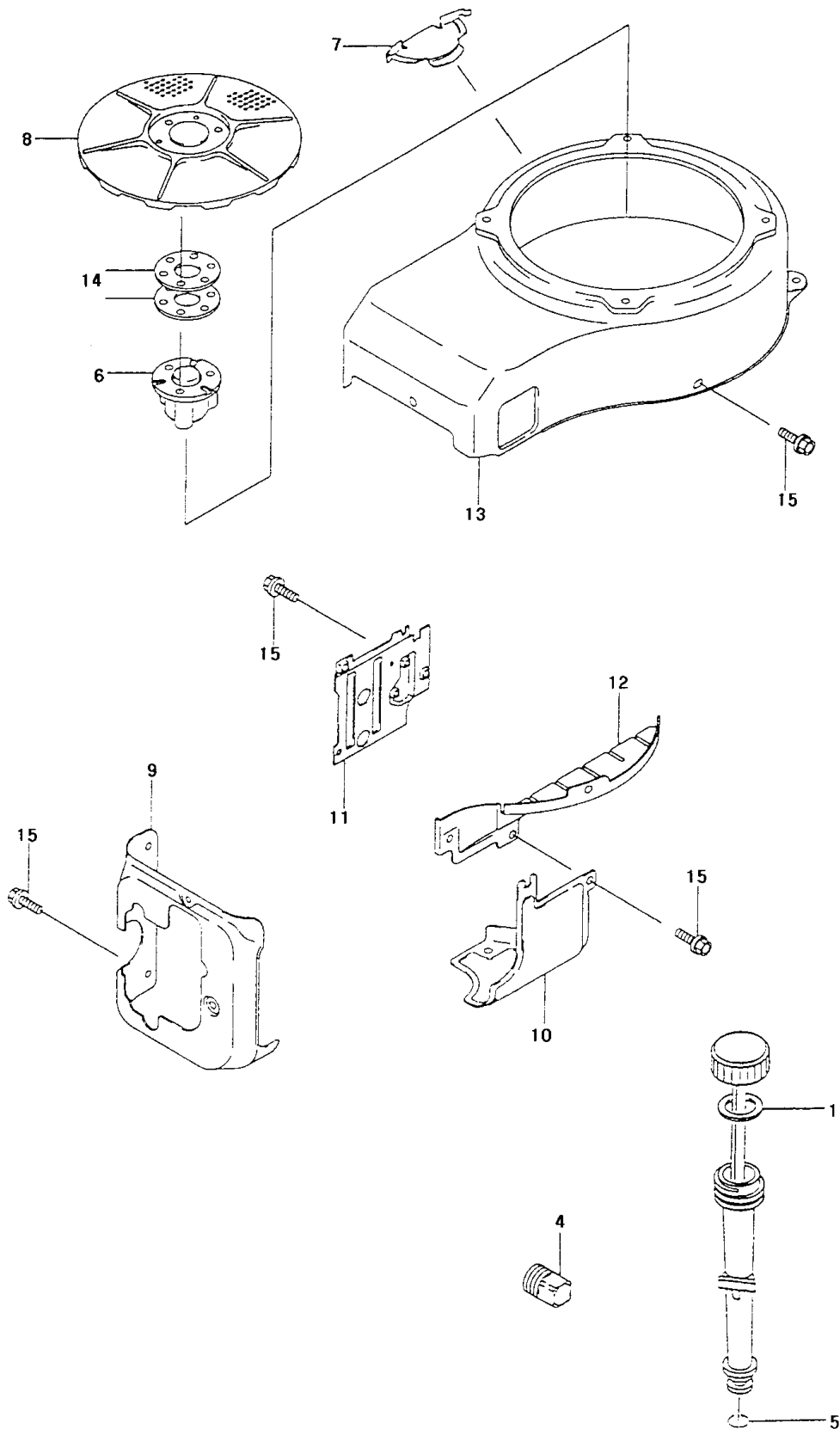
Number	Part Number	Name	Quantity
2	17529	PIN PISTON	1,000
3	17530	RING SET	1,000
4	17534	CRANKSHAFT	1,000
5	17535	WEIGHT	1,000
6	17536	CONTRA WEIGHTS GUID	1,000
8	17538	ROD	1,000
9	17539	GEAR SPUR	1,000
11	17541	BOLT	1,000
12	15646	NUT	1,000
14	17544	SPACER	1,000
15	17545	RING SNAPP	1,000
16	17546	KEY	1,000
17	15687	SEAL	1,000
18	17548	BEARING PLANE	1,000
131	17682	SHIM 1,13	1,000
132	17683	SHIM 1,18	1,000
133	17684	SHIM 1,23	1,000
134	17685	SHIM 1,28	1,000
135	17686	SHIM 1,33	1,000
136	17687	SHIM 1,38	1,000
137	17688	SHIM 1,43	1,000
138	17689	SCHIM 1,48	1,000
139	17690	SHIM 1,53	1,000
140	17351	PLAQUE D'ARRET	1,000
141	17352	RONDELLE ELASTIQUE	1,000
142	17353	JOINT FIBRE D6X33	1,000



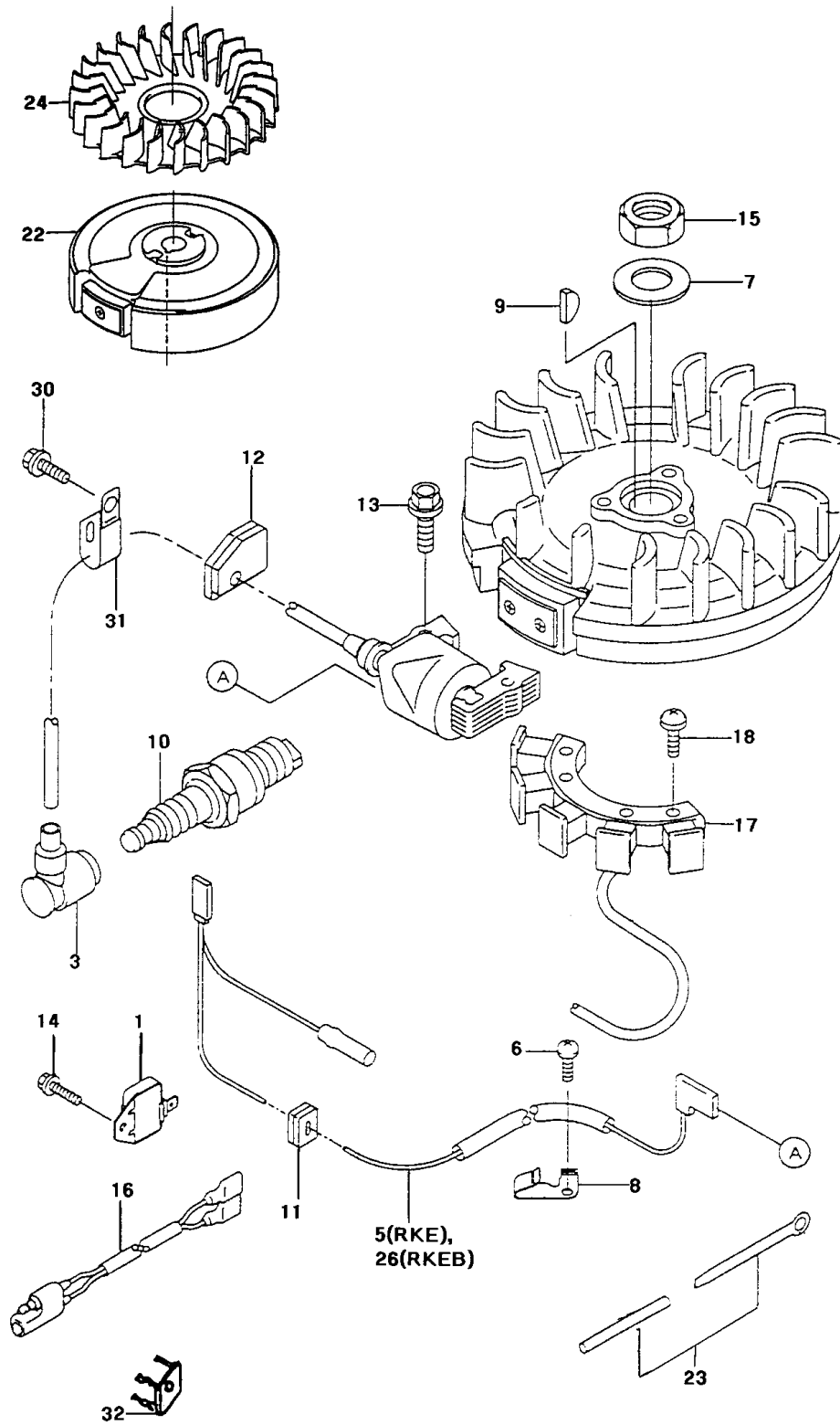
Number	Part Number	Name	Quantity
1	15664	PELLET	1,000
2	17550	VALVE INTAKE	1,000
3	17551	VALVE EXHAUST	1,000
4	15665	STOP CUP	1,000
5	15672	STOP CUP	1,000
6	15671	COLLAR	1,000
7	15663	ROCKER ARM	1,000
8	15670	ROCKER ARM	1,000
9	17558	SHAFT ROCKER	1,000
10	17552	TAPPET	1,000
11	17553	ROD PUSH	1,000
12	15668	THRUST WASHER	1,000
13	17554	SPRING ENGINE VALVE	1,000
14	17555	CAMSHAFT	1,000
15	15662	SCREW	1,000
16	15661	NUT	1,000
18	17557	SPRING	1,000
19	15667	GASKET	1,000
171	17691	SHIM 1,60	1,000
172	17692	SHIM 1,65	1,000
173	17693	SHIM 1,70	1,000
174	17694	SHIM 1,75	1,000
175	17695	SHIM 1,80	1,000
176	17696	SHIM 1,85	1,000
177	17697	SHIM 1,90	1,000
178	17698	SHIM 1,95	1,000



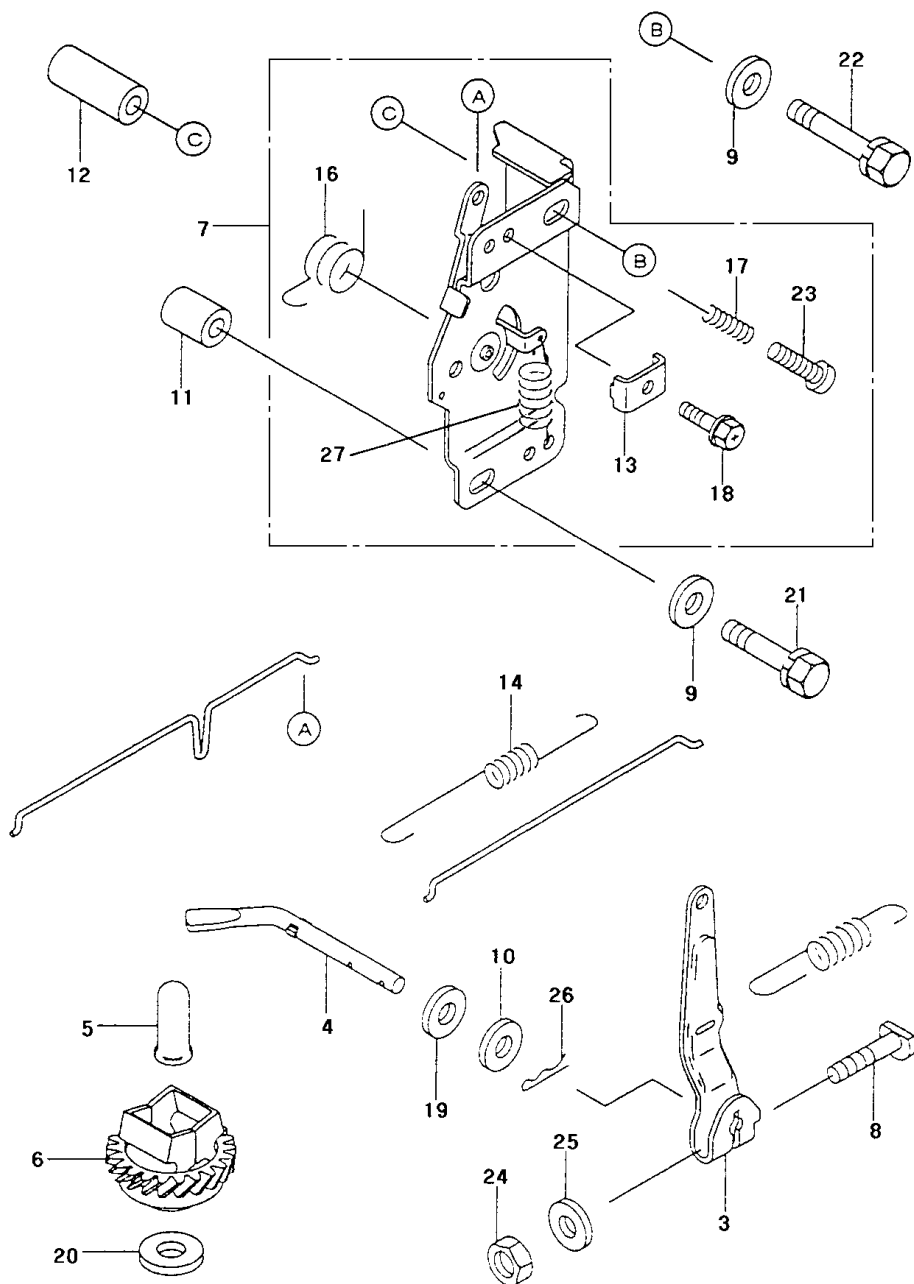
Number	Part Number	Name	Quantity
1	15682	GASKET	1,000
4	17562	PLUG	1,000
5	15686	O-RING	1,000
6	17563	BRACKET	1,000
7	17564	COVER	1,000
8	17565	SCREEN	1,000
9	17566	SHROUD ENGINE	1,000
10	17567	SHROUD LEFT	1,000
11	17568	SHROUD RIGHT	1,000
12	17569	HOUSING FAN	1,000
13	17570	HOUSING FAN	1,000
14	17571	SHIM	1,000
15	17726	SCREW	1,000



Number	Part Number	Name	Quantity
1	17573	IGNITER	1,000
3	15722	SPARK PLUG CAP	1,000
5	15732	LOAD WIRE	1,000
6	15604	SCREW	1,000
7	15737	WASHER	1,000
8	15730	CUP	1,000
9	15650	KEY	1,000
10	3861	SPARK PLUG D.14X19R	1,000
11	15724	GROMMET	1,000
12	15733	GROMMET	1,000
13	5071	BOLT HM 5X20	1,000
14	15725	SCREW	1,000
15	17576	NUT HEX.	1,000
16	18043	EXTENSION CORD	1,000
17	18044	ALTERNATOR	1,000
18	18045	SCREW	1,000
22	18047	FLYWHEEL (1995)	1,000
23	18046	CABLE CLIP	1,000
24	18050	COOLING FAN	1,000
26	18042	CABLE	1,000
30	15696	SCREW	1,000
32	40139	RECTIFIER	1,000

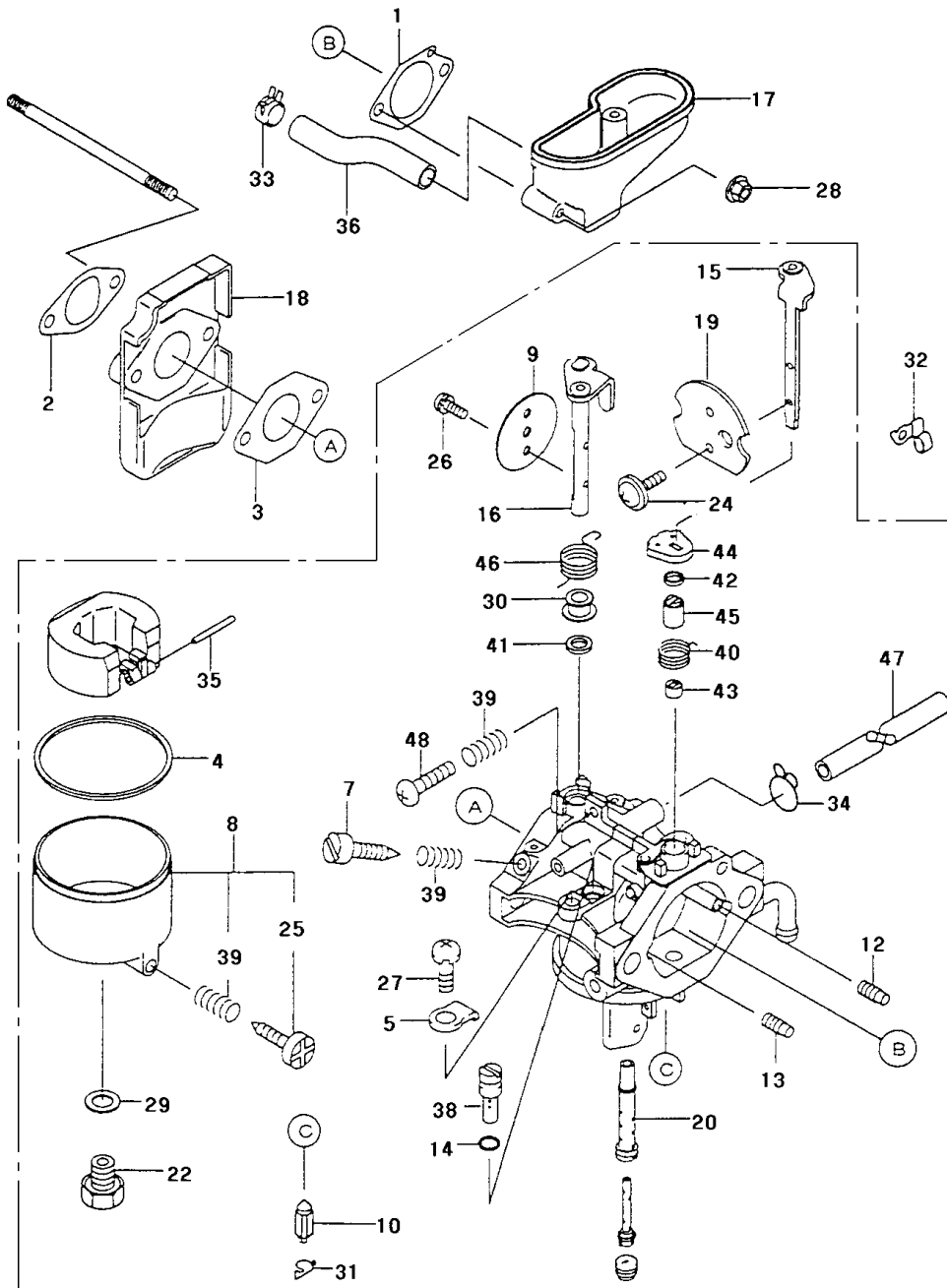


Number	Part Number	Name	Quantity
3	17579	ARM ASSY	1,000
4	17580	ARM PIVOT	1,000
5	15741	TEAT-SCREW	1,000
6	17581	GOVERNOR ASSY	1,000
7	17582	CPLTE CONTROL PLATE	1,000
8	15744	BOLT	1,000
9	15755	WASHER	1,000
10	17583	WASHER	1,000
11	15754	SEPARATING PIECE	1,000
12	17584	SPACER	1,000
13	15752	GUARD	1,000
14	17585	SPRING	1,000
16	15751	SPRING	1,000
17	15346	SPRING	1,000
18	15753	SCREW	1,000
19	17587	WASHER	1,000
20	15360	FLAT WASHER	1,000
21	15756	SCREW	1,000
22	17588	BOLT	1,000
23	15347	SCREW	1,000
24	15339	NUT	1,000
25	15340	FLAT WASHER	1,000
26	15358	COTTER PIN	1,000
27	6190	BACK SPRING	1,000

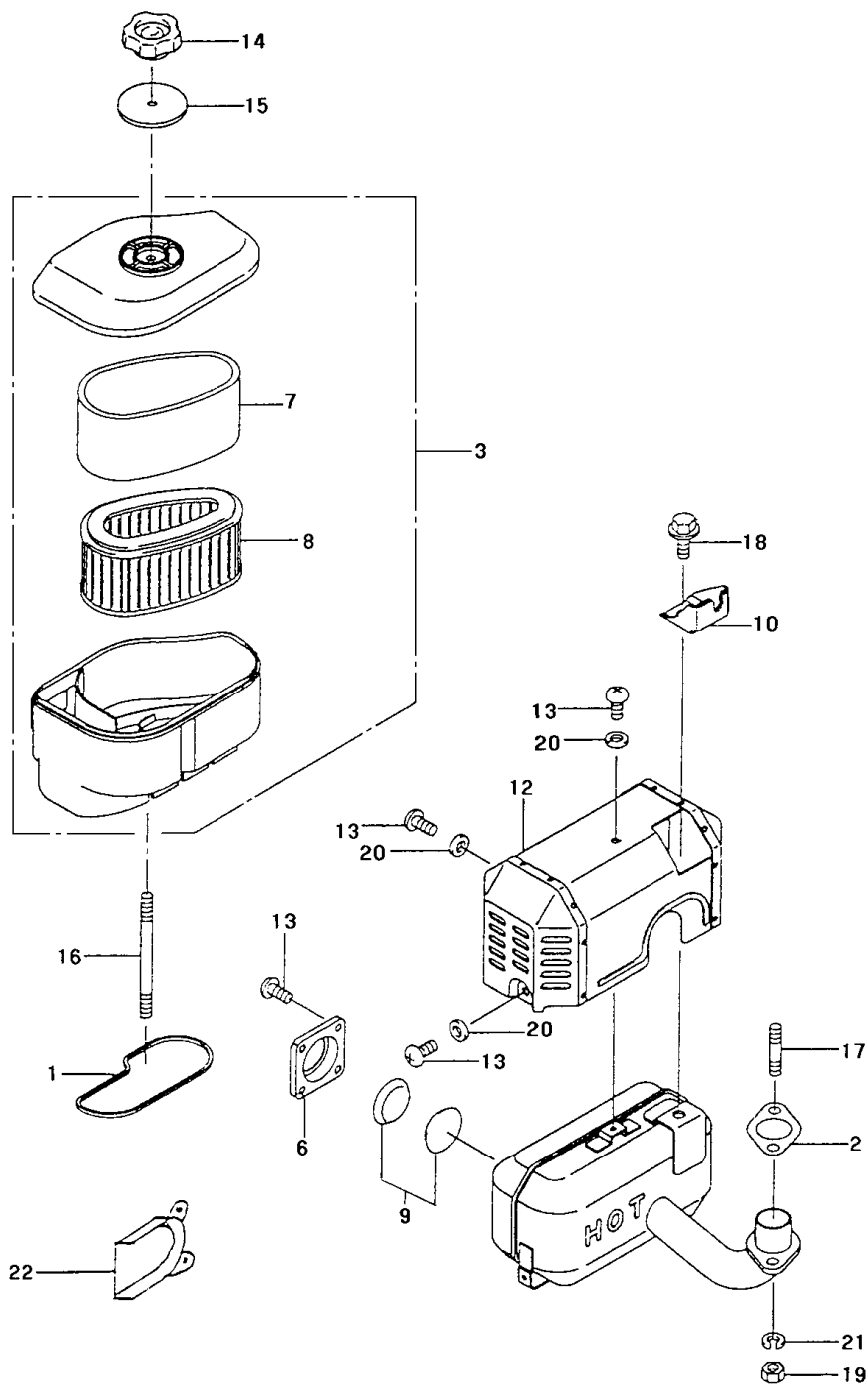


Number	Part Number	Name	Quantity
1	17590	GASKET AIR FILTER	1,000
2	17591	GASKET INSULATOR	1,000
3	17593	GASKET CARBURATOR	1,000
4	15802	GASKET	1,000
5	15787	STOP PLATE	1,000
7	17595	SCREW PILOT AIR	1,000
8	15782	FLOAT CHAMBER	1,000
9	17596	VALVE THROTTLE	1,000
10	15779	FLOAT SPINDLE	1,000
12	15778	1,7 JET	1,000
13	17597	JET-AIR 1,1	1,000
14	15789	GASKET	1,000
15	17598	SHAFT CARBU.CHOKE	1,000
16	17599	SHAFT CARBU THROTTL	1,000
17	17600	PIPE INTAKE	1,000
18	17601	INSULATOR	1,000
19	17602	VALVE CHOKE	1,000
20	17603	MAIN NOZZLE	1,000
22	15804	SCREW	1,000
24	15771	SCREW	1,000
25	15784	BLEED SCREW	1,000
26	15793	SCREW	1,000
27	15786	SCREW	1,000
28	15646	NUT	1,000
29	15803	WASHER	1,000
30	15795	RING	1,000
31	15780	CLIP	1,000
32	17606	CLAMP	1,000
33	17607	CLAMP	1,000
34	17608	CLAMP	1,000
35	15781	FLOAT SHAFT	1,000
36	17609	TUBE	1,000
38	17611	JET PILOT 47,5	1,000
39	15783	SPRING	1,000
40	17612	SPRING	1,000
41	15797	SEALING WASHER	1,000
42	17613	SEAL	1,000
43	17614	COLLAR	1,000
44	17615	COLLAR	1,000
45	17616	COLLAR	1,000
46	17617	SPRING	1,000

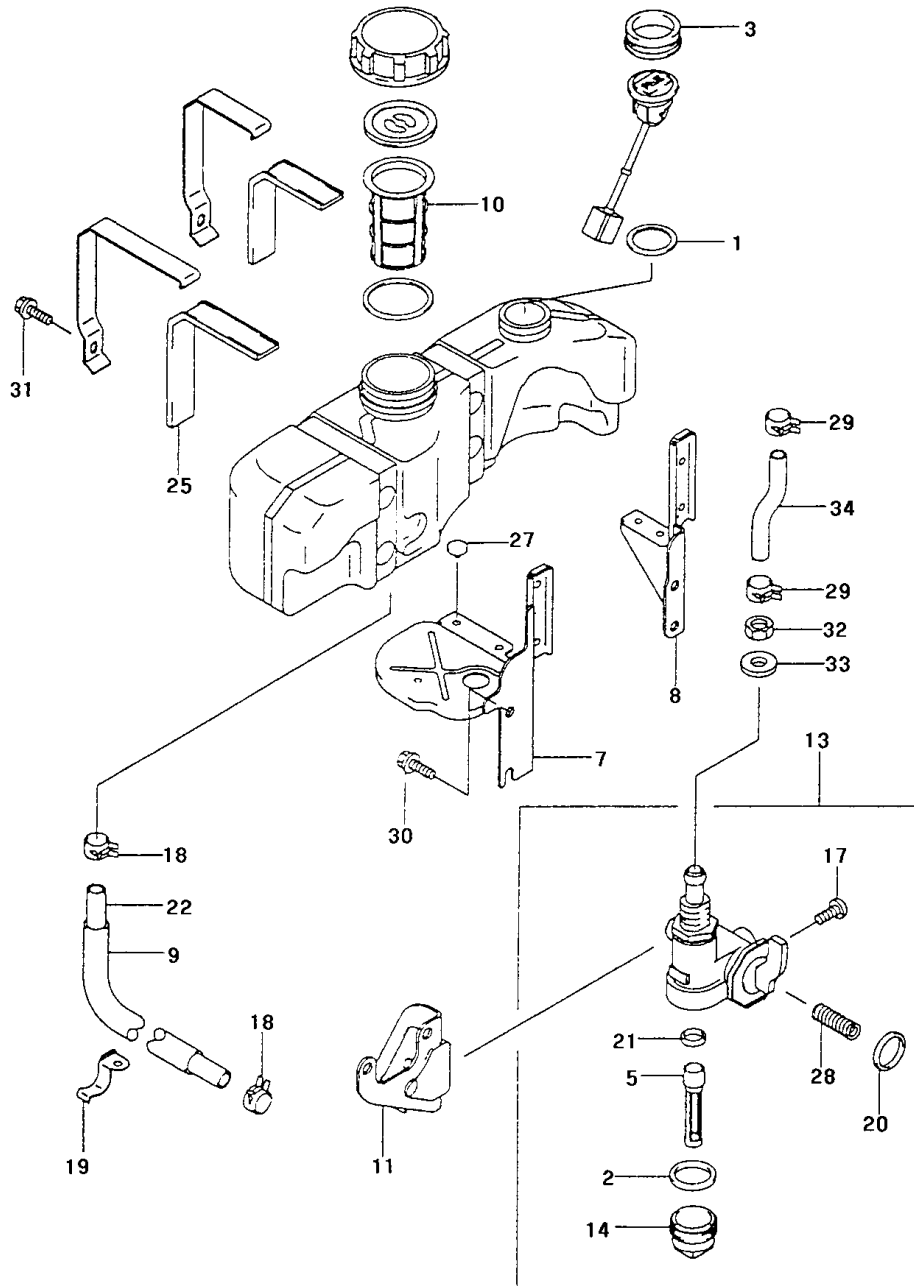
Number	Part Number	Name	Quantity
47	17618	TUBE 5X8X100	1,000
48	17619	SCREW	1,000



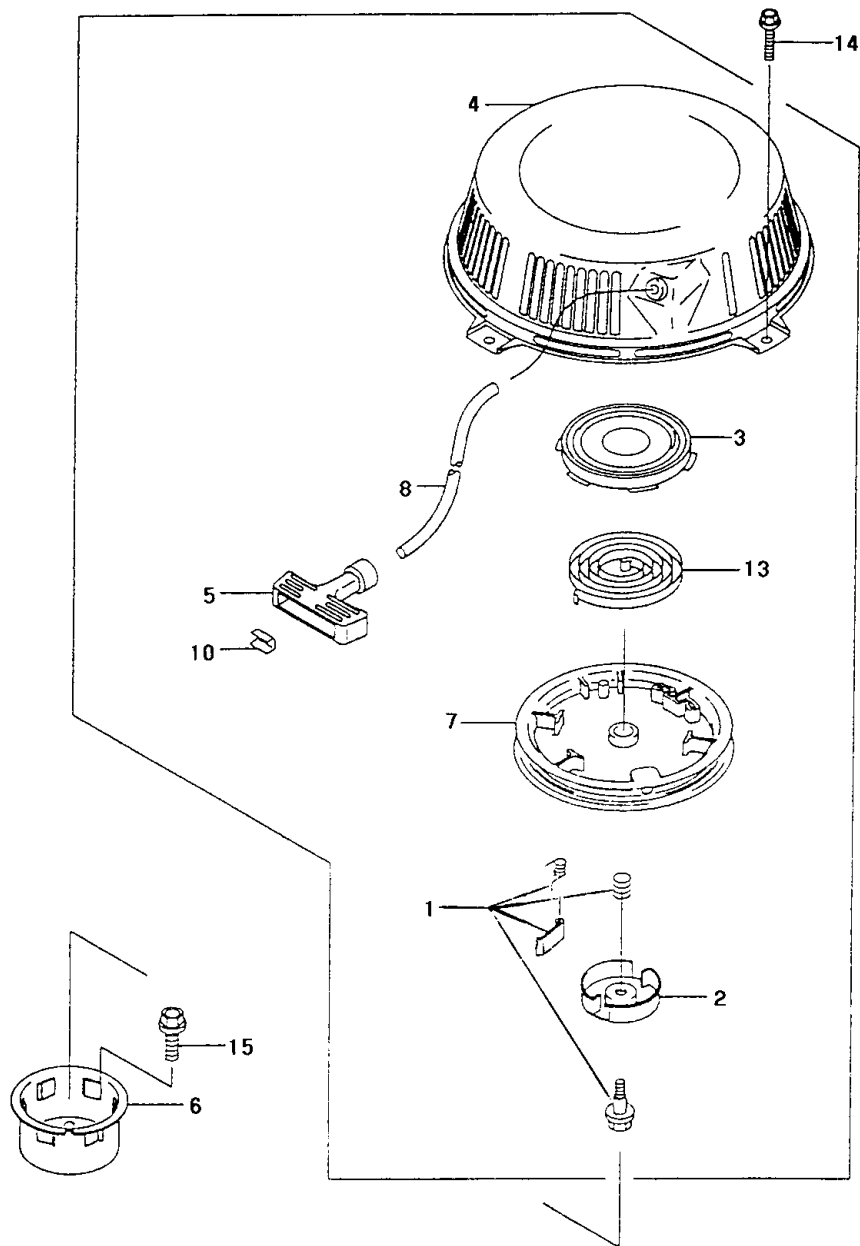
Number	Part Number	Name	Quantity
1	17620	GASKET AIR FILTER	1,000
2	17621	GASKET MUFFLER	1,000
3	17622	AIR FILTER ASSY	1,000
6	17625	CAP SPARK ARRESTER	1,000
7	17501	PRE FILTER	1,000
8	17500	FILTER CARTRIDGE	1,000
9	17628	ARRESTER SPARK	1,000
10	17629	BRACKET MUFFLER	1,000
12	17631	COVER MUFFLER	1,000
13	15819	SCREW	1,000
14	17633	NUT	1,000
15	17634	WASHER	1,000
16	17635	BOLT STUD	1,000
17	15618	PIN	1,000
18	17636	BOLT UPSET	1,000
19	15849	HEX NUT	1,000
20	17637	WASHER PLAIN	1,000
21	15848	SPRING WASHER	1,000
22	40151	MUFFLER DEFLECTOR	1,000



Number	Part Number	Name	Quantity
1	17638	GASKET	1,000
2	17639	GASKET	1,000
3	17640	CAP	1,000
4	17641	GASKET	1,000
5	17642	FILTER	1,000
7	17644	BRACKET TANK	1,000
8	17645	BRACKET TANK	1,000
9	17646	PIPE	1,000
10	17647	FILTER FUEL	1,000
11	17648	BRACKET TAP	1,000
13	17650	TAP ASSY	1,000
14	17651	CUP FUEL TAP	1,000
17	17654	SCREW	1,000
18	15764	CLAMP	1,000
19	17655	CLAMP	1,000
20	17656	RING O	1,000
21	17657	RING O	1,000
22	17658	TUBE	1,000
25	17661	DAMPER	1,000
27	17663	DAMPER	1,000
28	17664	SPRING	1,000
29	15843	CLAMP	1,000
30	17665	BOLT UPSET	1,000
31	17666	BOLT UPSET	1,000
32	15443	NUT	1,000
33	17667	WASHER PLAIN	1,000
34	15842	HOSE	1,000



Number	Part Number	Name	Quantity
1	17097	PAWL KIT	1,000
2	17669	RETAINER	1,000
3	17670	CASE SPRING	1,000
4	17671	CASE RECOIL STARTER	1,000
5	17672	GRIP RECOIL STARTER	1,000
6	17673	PULLEY STARTING	1,000
7	17674	REEL RECOIL STARTER	1,000
8	4792	ROPE 5MM X 1,75 M.	1,000
10	17677	WASHER	1,000
13	15478	SPRING	1,000
14	15696	SCREW	1,000
15	17681	BOLT FLANGED	1,000



Number	Part Number	Name	Quantity
5	5104	HINGE	1,000
7	71201	NUT M6	1,000
8	24991	-> 2X 24903	1,000
9	40195	NM GRASBAG HANDLE	1,000
10	2235	WASHER A6.4	1,000
11	40391	GRASBAG FRAME NM	1,000
12	40190	GRASBAG NM	1,000

162.01
PANIER
FANGKORB
GRASSBOX

