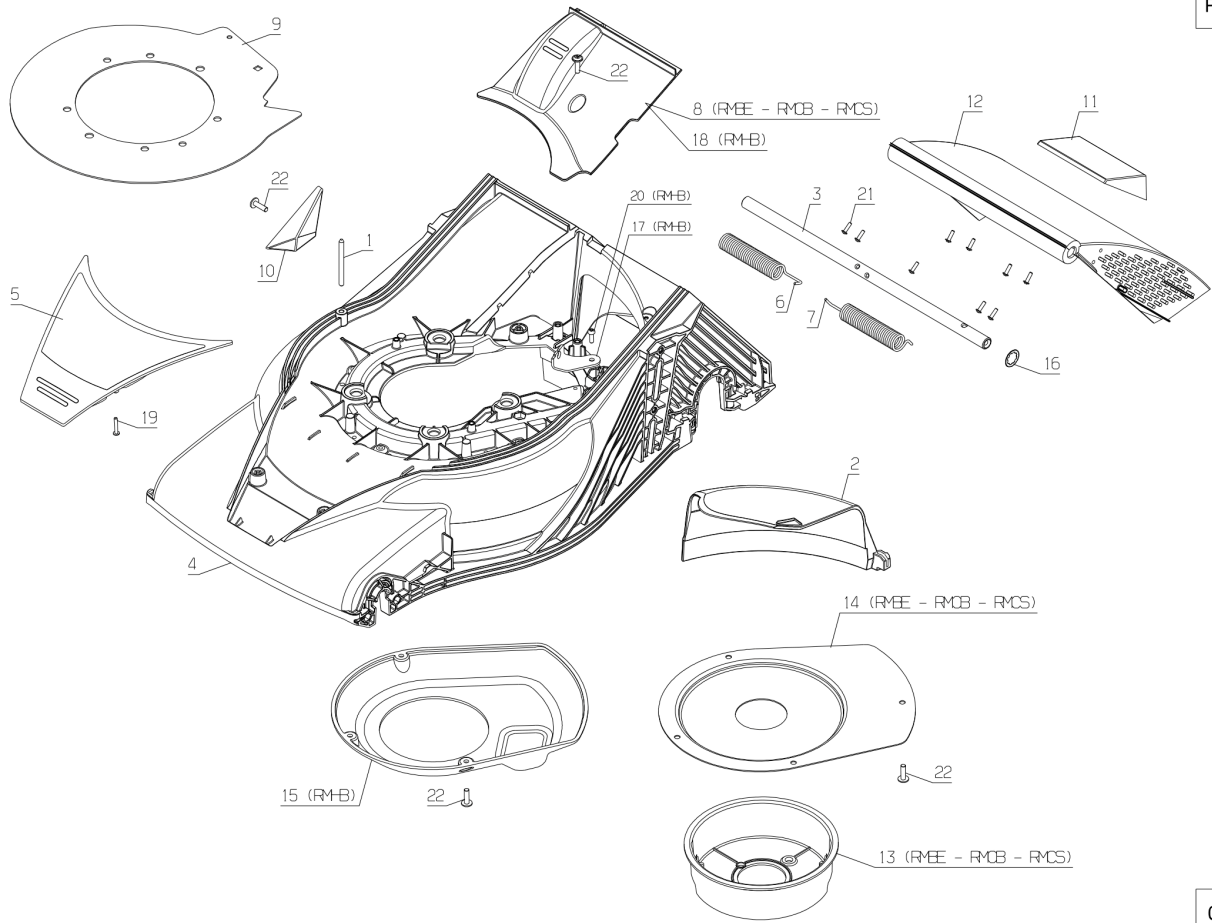


Number	Part Number	Name	Quantity
1	35128	CUT.HGT.INDICATOR	1,000
2	36332	SEALING PLATE	1,000
3	50103	DEFLECTOR AXLE RM46	1,000
4	51280	-> 54563	1,000
5	51278	COVER FRONT WHITE	1,000
6	39392	SPRING	1,000
7	39393	SPRING	1,000
8	39847	COVER RM46	1,000
9	39943	PLATE	1,000
10	39994	BASE PLATE RM46	1,000
11	40047	GRIP	1,000
12	41024	DEFLECTOR	1,000
13	42696	PROTECTION	1,000
14	43504	COUPLING COVER	1,000
15	43548	COVER MBK	1,000
16	50104	HOOK WASHER	1,000
17	50628	CABLE STOP	1,000
18	50729	TRANSM.COVER WHITE	1,000
19	71190	SCREW EJ-PT KA40X25	1,000
20	71211	BOLT EJ-PT 50X16	1,000
21	71299	SCREW EJPT KA 40X14	1,000
22	71365	SCREW WN145160X20	1,000

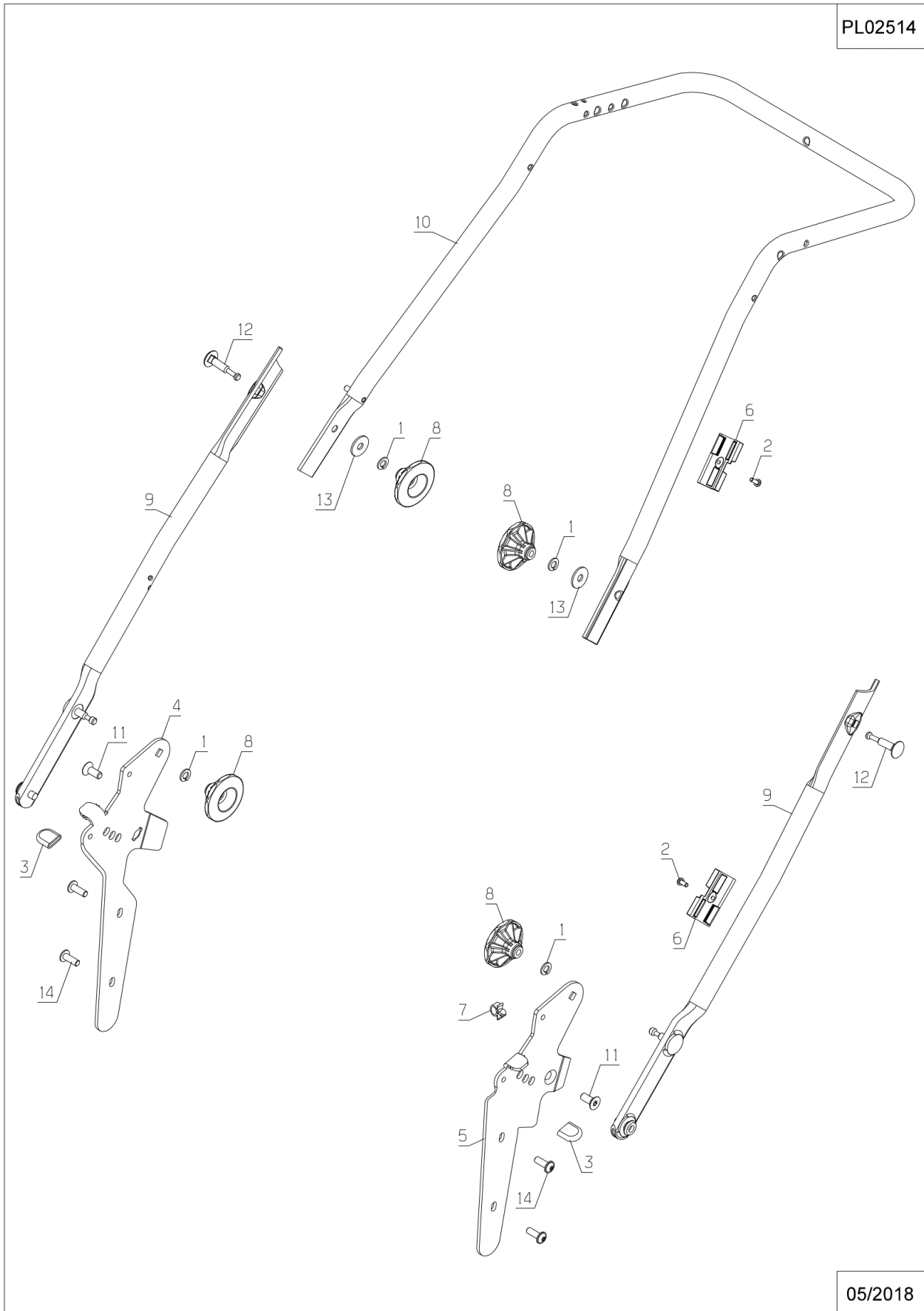
PL02016



06/2018

Number	Part Number	Name	Quantity
1	6416	WASHER	1,000
2	21437	SCREW	1,000
3	35778	HANDLE BAR STOP	1,000
4	37295	RIGHT ARM	1,000
5	37296	LEFT ARM	1,000
6	38957	CABLE GUIDE	1,000
7	39758	CLIP	1,000
8	41443	INSERT BUTTON	1,000
9	52088	L.HANDLEBAR RM41/46	1,000
10	52099	HANDLE BAR RM 46	1,000
11	71122	SCREW 8X20	1,000
12	71140	SCREW M8X45	1,000
13	71274	WASHER B8.4	1,000
14	71276	SCREW EJPT K70X20	1,000

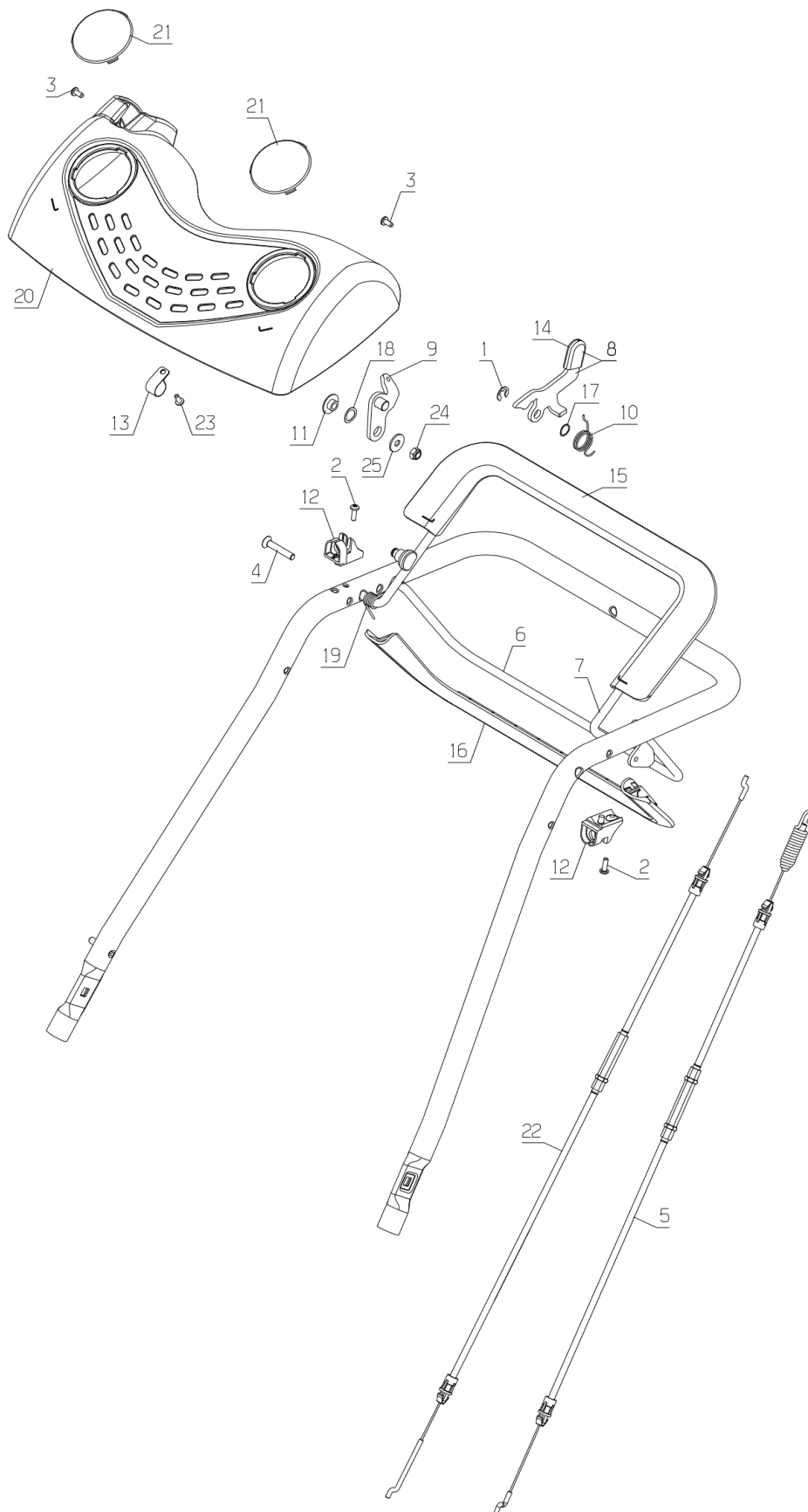
PL02514



05/2018

Number	Part Number	Name	Quantity
1	5602	ANNEAU TRUARC	1,000
2	21437	SCREW	1,000
3	21585	SCREW BZ 4,2X9,5	1,000
4	35171	SCREW	1,000
5	36738	DRIVE CABLE RM46	1,000
6	36903	LEVER	1,000
7	36952	LEVER	1,000
8	36955	DOUBLE LEVER	1,000
9	36956	STEERING	1,000
10	36961	SPRING	1,000
11	37066	BUSH	1,000
12	37173	STOP	1,000
13	37184	COLLAR DIA.14	1,000
14	37309	ROUND END BONNET	1,000
15	37343	RUBBER PROTECTION	1,000
16	37344	RUBBER PROTECTION	1,000
17	37464	WASHER	1,000
18	37465	WASHER	1,000
19	37498	SPRING	1,000
20	37611	COVER	1,000
21	43089	COVER	1,000
22	52257	ENGINE CABLE	1,000
23	71048	BOLT EJ.PT KA40X10	1,000
24	71201	NUT M6	1,000
25	71096	WASHER B6,4	1,000

PL02513

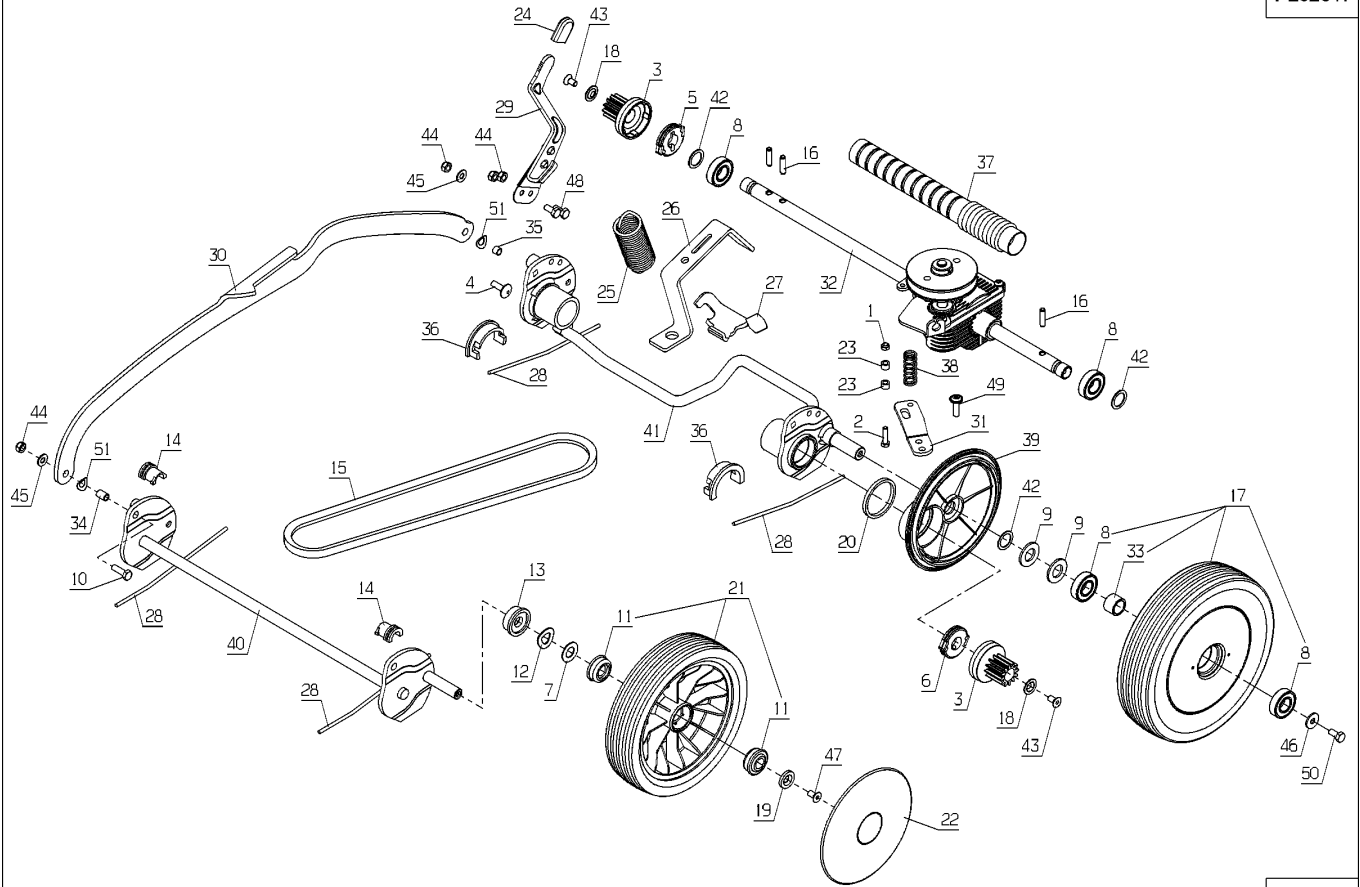


06/2018

Number	Part Number	Name	Quantity
1	37561	NUT	1,000
2	5071	BOLT HM 5X20	1,000
3	5323	GEAR	1,000
4	5496	SCREW 6X20	1,000
5	5733	FREE WHEEL RIGHT	1,000
6	5734	FREE WHEEL LEFT	1,000
7	6011	WASHER 12,2X23,2X1	1,000
8	9022	BALL BEARING 6002	1,000
9	9034	NYLON WASHER	1,000
10	20507	BOLT HM 6X20	1,000
11	20533	BEARING DIAM.12	1,000
12	20536	CRINKLE WASHER	1,000
13	20537	WHEEL RING	1,000
14	20539	FRONT RING	1,000
15	20567	BELT SPZ800	1,000
16	21609	PIN 5X22	1,000
17	23276	WHEEL 46 TR GREEN	1,000
18	24067	WASHER	1,000
19	24132	SHAFT WASHER	1,000
20	24692	SEALING WASHER	1,000
21	24810	WHEEL 180 + BEARING	1,000
22	24922	WHEEL FLASK 180 GR.	1,000
23	35511	SPACER D9/D5,2X6	1,000
24	35778	HANDLE BAR STOP	1,000
25	36478	SPRING	1,000
26	36483	BRACKET	1,000
27	36597	SPRING FIXING	1,000
28	36720	SPRING	1,000
29	52035	CUT.HEIGHT CONTROL	1,000
30	37293	LINKING ROD	1,000
31	38392	REDUCER FIX.	1,000
32	39971	DISC REDUCER	1,000
33	42097	SPACER	1,000
34	42704	SPACER CUTTING H.FR	1,000
35	42706	SPACER CUTTING H.R.	1,000
36	42736	RING	1,000
37	43032	SHAFT PROTECT.HOSE	1,000
38	43036	BELT TENSION SPRING	1,000
39	43187	REAR WHEEL COVER TR	1,000
40	43265	FRONT CUT.HGT	1,000
41	43292	R.CUTTING HEIGHT	1,000

Number	Part Number	Name	Quantity
42	71016	WASHER 16X22X1	1,000
43	71021	SCREW FHC/90 M6X12	1,000
44	71201	NUT M6	1,000
45	71075	WASHER	1,000
46	71096	WASHER B6,4	1,000
47	71222	SCREW FHC/90 6X12	1,000
48	71255	SCREW TH M6X14	1,000
49	71365	SCREW WN145160X20	1,000
50	71425	SCREW TH M6X14	1,000
51	71427	S WASHER DIN 137-A8	1,000

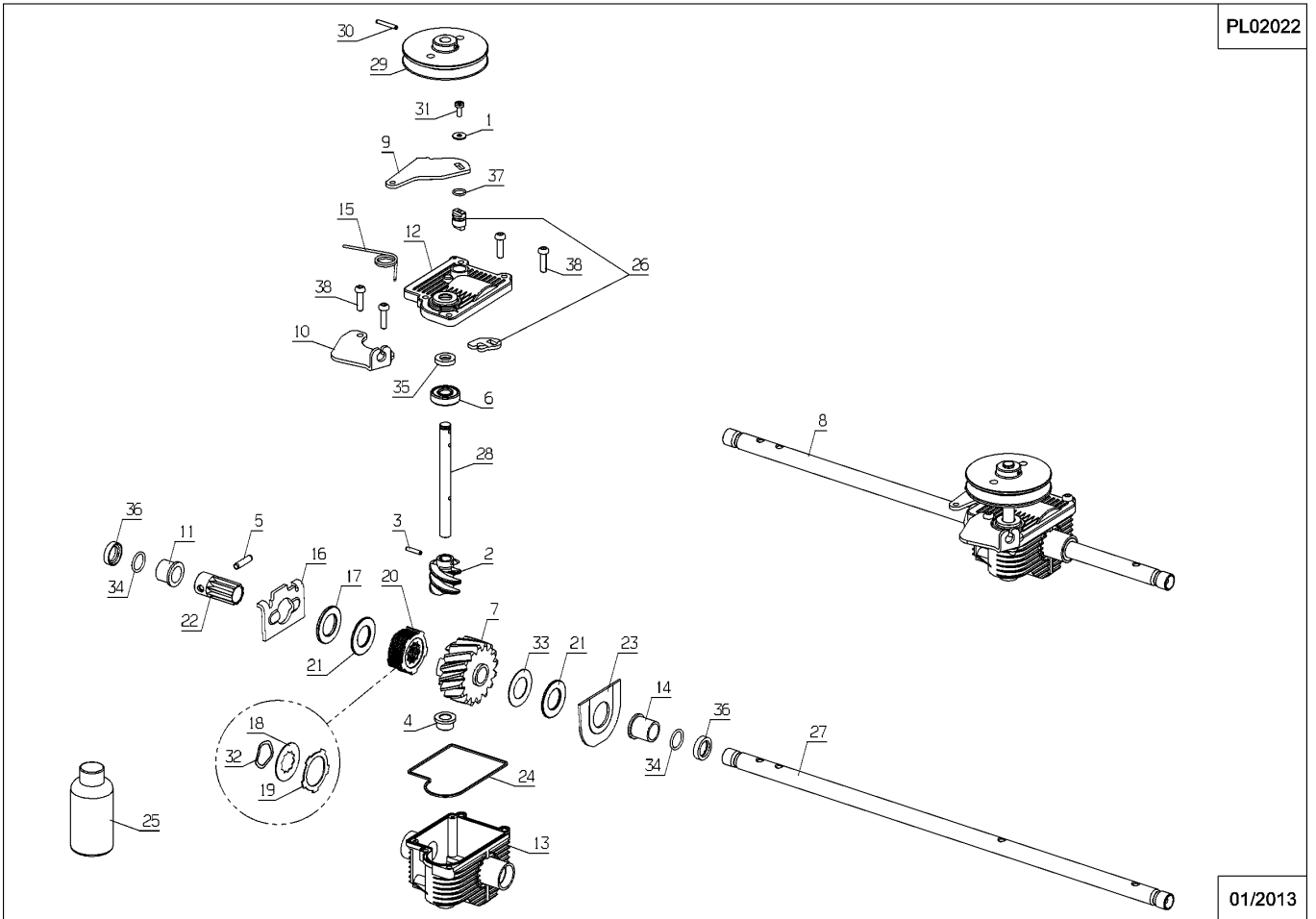
PL02017



01/2013

Number	Part Number	Name	Quantity
1	7094	FLAT WASHER	1,000
2	20555	ENDLESS BOLT	1,000
3	20556	PIN 3X15	1,000
4	20558	RING C/10 15X10	1,000
5	21609	PIN 5X22	1,000
6	24642	BEARING	1,000
7	24776	BELL + WHEEL SET	1,000
8	39971	DISC REDUCER	1,000
9	39973	ARM RM46	1,000
10	39974	BRACKET	1,000
11	40108	RING C15 19X16BP25	1,000
12	41051	REDUCT. GEAR COVER	1,000
13	41052	OIL BATH REDUCER NM	1,000
14	41056	SELF LUBRICATE BUSH	1,000
15	41060	CLUTCH SPRING	1,000
16	41094	FORK RD	1,000
17	41095	STOP WASHER	1,000
18	41096	INT.CLUTCH PLATE	1,000
19	41097	EXT.CLUTCH PLATE	1,000
20	41100	DISK SET + STOP	1,000
21	41102	STRIDDED STOP	1,000
22	41104	CARRIER	1,000
23	41105	CASING REINFORCEMENT	1,000
24	41110	COVER SEAL	1,000
25	41116	OIL AZOLLA 60ML	1,000
26	41822	PUSH AXLE (SET)	1,000
27	43034	SHAFT NG 48	1,000
28	43520	QUICK SHAFT	1,000
29	50006	PULLEY DP:72	1,000
30	71088	PIN 3X22	1,000
31	71213	BOLT M4X10	1,000
32	71214	WASHER R9	1,000
33	71216	STOP WASHER	1,000
34	71217	O-RING 15X2	1,000
35	71218	LIP SEAL 10X18X4	1,000
36	71219	LIP SEAL 15X21X5	1,000
37	71220	O-RING 8,9X1,9	1,000
38	71244	BOLT EJ-PT 50X20	1,000
39	50629	GEAR DISK REDUCER	1,000
41	41823	WASHER+AXLE PUL.CPL	1,000

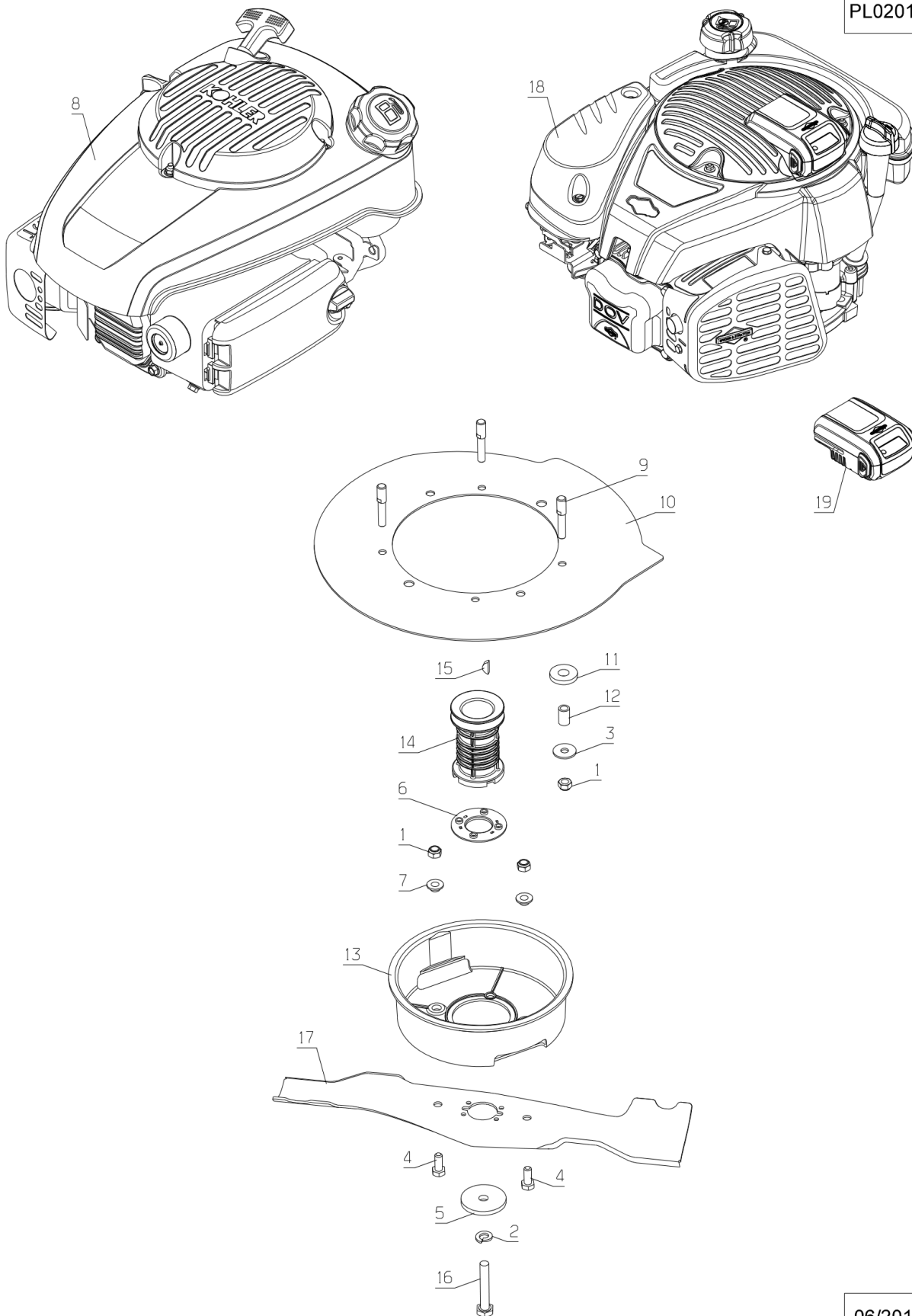
PL02022



01/2013

Number	Part Number	Name	Quantity
1	71205	SCREW M8	1,000
2	71052	SPRING WASHER,DIN 1	1,000
3	7035	FLAT WASHER	1,000
4	71413	SCREW HM 8-20	1,000
5	7341	FLAT WASHER 10,3X49	1,000
6	24006	SHEAR WASHER	1,000
7	24052	KNUCKLE RING	1,000
8	35101	ENG.KOHL.COUR.XT-6	1,000
9	37806	STUD M10 X 20 X M8	1,000
10	39943	PLATE	1,000
11	41007	INSULATION MUFF	1,000
12	42019	BUSH 12X8,2X19	1,000
13	42696	PROTECTION	1,000
14	42717	BLADE COUPLING	1,000
15	71127	KEY 4,8X6,5X15,72	1,000
16	71398	BOLT H UNF 3/8"60	1,000
17	MZ46E	BLADE FOR RM46	1,000
19	52232	BATTERY (DOV IS)	1,000

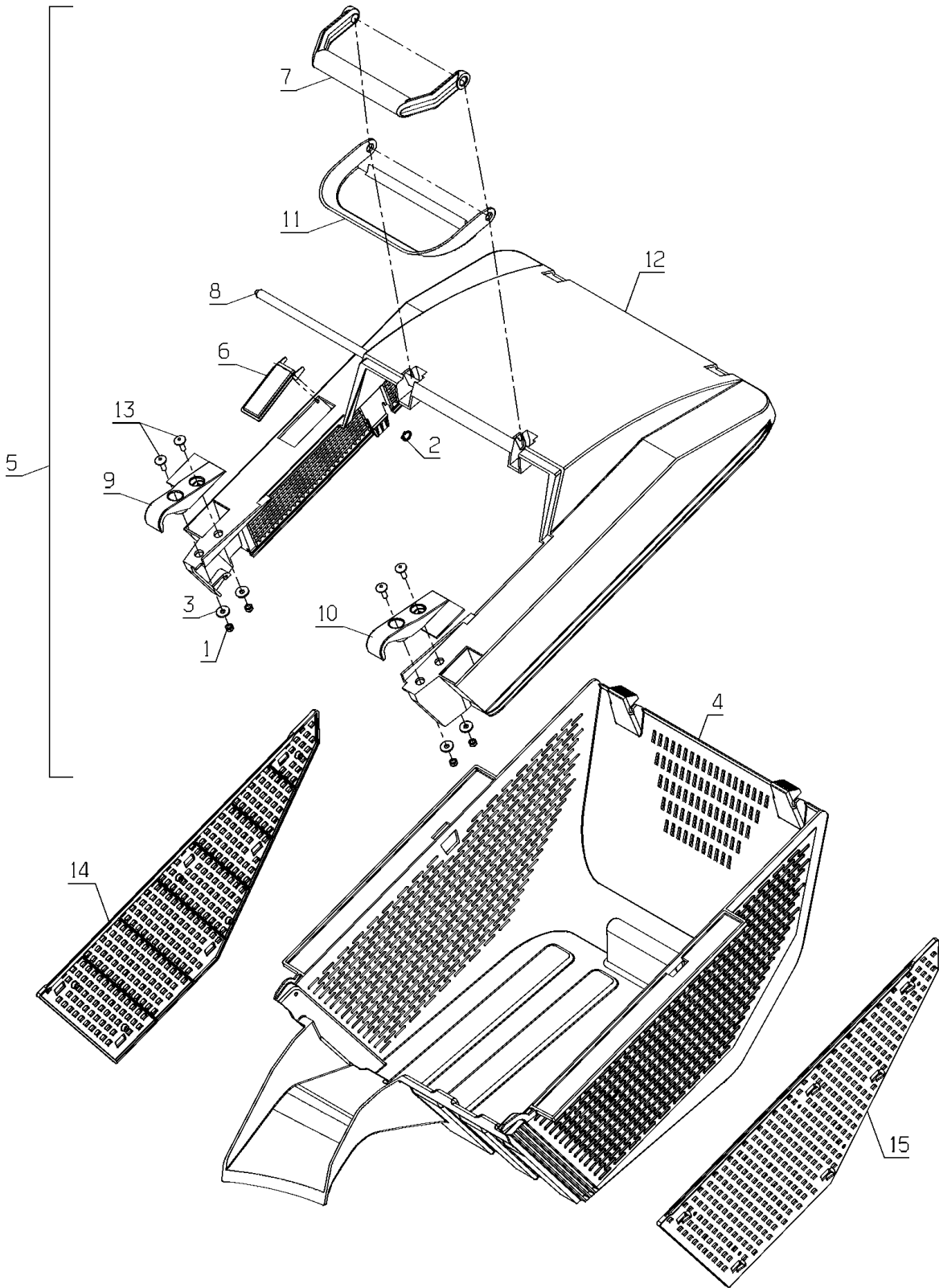
PL02014



06/2018

Number	Part Number	Name	Quantity
1	37561	NUT	1,000
2	20559	CIRCLIPS 10	1,000
3	21481	WASHER	1,000
4	39944	LOWER GRASSBOX WHITE	1,000
5	39945	BRACKET GRASSBOX CP	1,000
6	41608	INDICATOR FILLING	1,000
7	41655	GRASSBOX GRIP	1,000
8	41657	ROD	1,000
9	41658	GRASSBOX HOOK RIGHT	1,000
10	41659	GRASSBOX HOOK LEFT	1,000
11	41660	GRIP PROTECTION	1,000
12	41662	-> 39945	1,000
13	71231	SCREW JM5-16	1,000
14	39556	R.GRASSBOX GRID	1,000
15	39557	L.GRASSBOX GRID	1,000

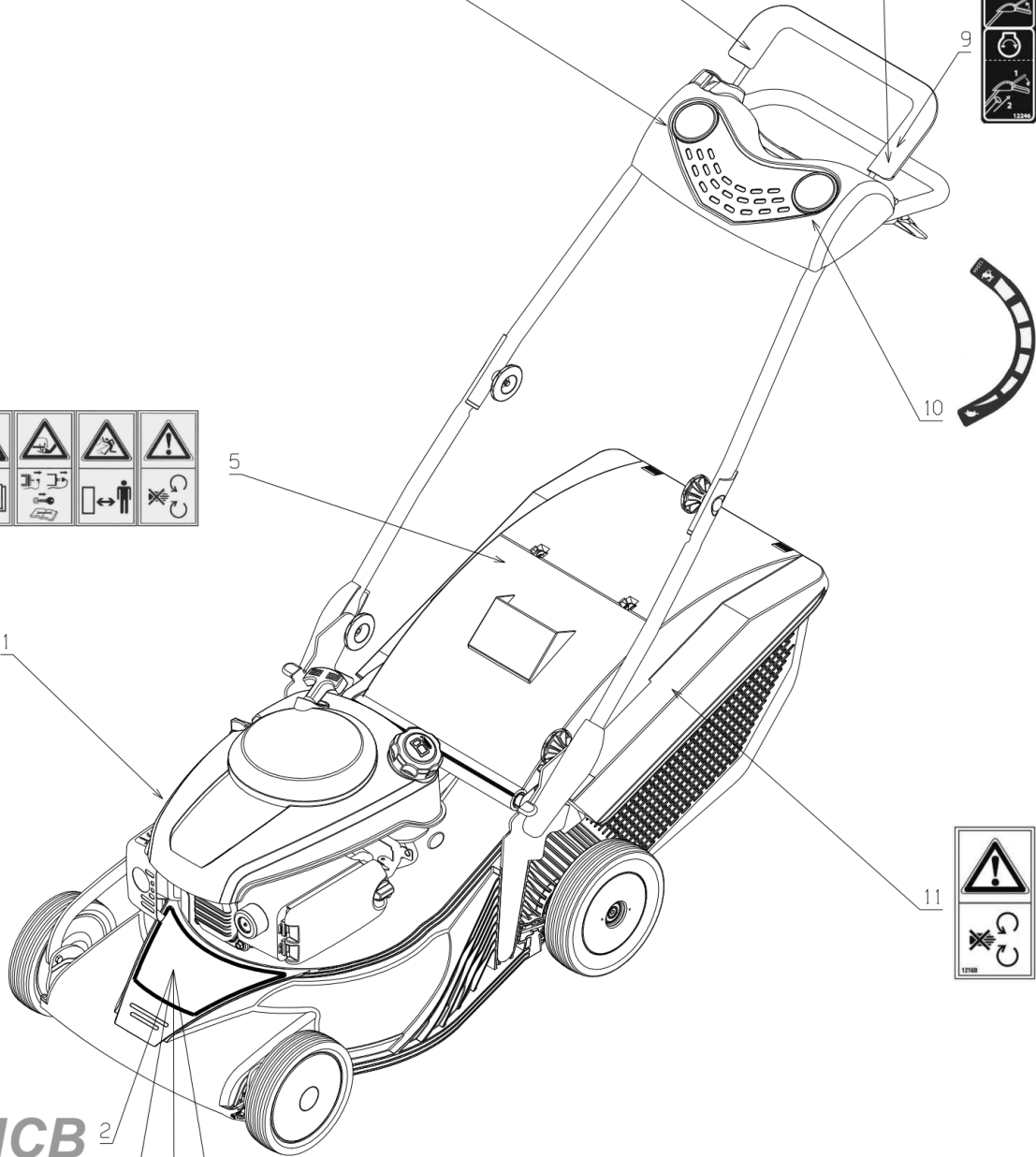
PL02013



01/2013

Number	Part Number	Name	Quantity
1	37247	STICKER RM46	1,000
2	39976	STICKER RMCB	1,000
3	50753	STICKER RMBH	1,000
4	39979	STICKER RMCS	1,000
5	39998	STICKER	1,000
6	12248	STICKER HONDA	1,000
7	37095	DRIVE TRS STICKER	1,000
8	12247	CLUTCH STICKER	1,000
9	12246	ENGINE BRAK.STICKER	1,000
10	12244	STICKER VARIO	1,000
11	12168	STICKER	1,000

PL02025



- RMCB 2
- RMHB 3
- RMCS 4
- RMBE** 12

06/2018