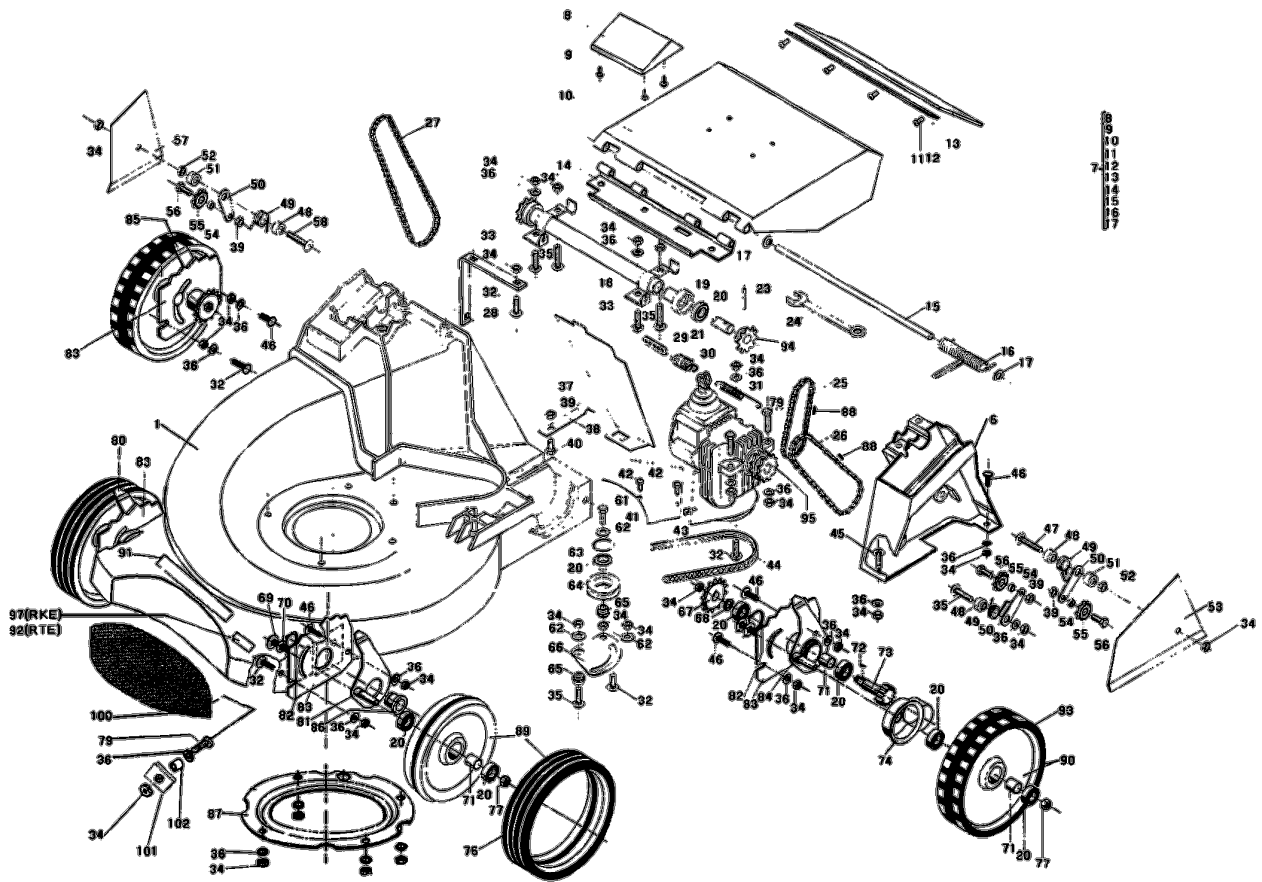


| Number | Part Number | Name | Quantity |
|--------|-------------|---------------------|----------|
| 1 | 40289 | CUTTING DECK 56CM | 1,000 |
| 6 | 40251 | HANDLEBAR BRACKET | 1,000 |
| 7 | 40314 | DEFLECTOR COMPLET | 1,000 |
| 8 | 40047 | GRIP | 1,000 |
| 9 | 7914 | SCREW | 1,000 |
| 10 | 40256 | DEFLECTOR | 1,000 |
| 11 | 71113 | NAIL RIVET, DIA. 4X | 1,000 |
| 12 | 40071 | REINFORCEMENT | 1,000 |
| 13 | 40048 | FLAP | 1,000 |
| 14 | 40255 | HINGE | 1,000 |
| 15 | 40070 | DEFLECTOR AXLE | 1,000 |
| 16 | 40069 | DEFLECTOR SPRING | 1,000 |
| 17 | 7377 | TRUARC COLLAR DIN 7 | 1,000 |
| 18 | 40330 | AXLE TUBE | 1,000 |
| 19 | 40010 | SLEEVE | 1,000 |
| 20 | 9022 | BALL BEARING 6002 | 1,000 |
| 21 | 40011 | AXLE | 1,000 |
| 23 | 9033 | PIN DIN 7343 | 1,000 |
| 24 | 25971 | WRENCH 17 | 1,000 |
| 25 | 21678 | CHAIN | 1,000 |
| 26 | 40013 | CHAIN | 1,000 |
| 27 | 5060 | CHAIN | 1,000 |
| 28 | 40079 | BRACKET | 1,000 |
| 29 | 40067 | ADJUSTEMENT PLATE | 1,000 |
| 30 | 24686 | SPRING | 1,000 |
| 31 | 5203 | RETURN SPRING | 1,000 |
| 32 | 5041 | BOLT 8X30 | 1,000 |
| 33 | 5347 | SCREW 8X25 | 1,000 |
| 34 | 71205 | SCREW M8 | 1,000 |
| 35 | 71118 | SCREW 8X35 | 1,000 |
| 36 | 7335 | WASHER | 1,000 |
| 37 | 40260 | REAR COVER | 1,000 |
| 38 | 40016 | LOCK | 1,000 |
| 39 | 71201 | NUT M6 | 1,000 |
| 40 | 21608 | SCREW 6X16 DIN | 1,000 |
| 41 | 40022 | BELT COVER | 1,000 |
| 42 | 6187 | SCREW | 1,000 |
| 43 | 21442 | CLIPS | 1,000 |
| 44 | 40059 | BELT | 1,000 |
| 45 | 9057 | SQUARE BOLT,DIN 603 | 1,000 |
| 46 | 9071 | SCREW M8X20 | 1,000 |

| Number | Part Number | Name | Quantity |
|--------|-------------|----------------------|----------|
| 47 | 21513 | BOLT M8X50 | 1,000 |
| 48 | 40065 | BRACE | 1,000 |
| 49 | 40063 | TENSIONNER SPRING | 1,000 |
| 50 | 40014 | TENSIONER LEVER | 1,000 |
| 51 | 40068 | BRACE | 1,000 |
| 52 | 2020 | NUT HM8 | 1,000 |
| 53 | 40258 | LEFT SIDE COVER | 1,000 |
| 54 | 40078 | BRACE | 1,000 |
| 55 | 40064 | 9 TOOTH GEAR | 1,000 |
| 56 | 20507 | BOLT HM 6X20 | 1,000 |
| 57 | 40259 | RIGHT SIDE COVER | 1,000 |
| 58 | 22031 | SCREW 8X55 | 1,000 |
| 59 | 9056 | BOLT 8X25 | 1,000 |
| 60 | 21114 | BOLT 8X40 | 1,000 |
| 61 | 9061 | BOLT 8X30 | 1,000 |
| 62 | 7035 | FLAT WASHER | 1,000 |
| 63 | 21256 | CIRCLIP | 1,000 |
| 64 | 24659 | GROOVE PULLEY | 1,000 |
| 65 | 40031 | RING | 1,000 |
| 66 | 40030 | PULLEY SUPPORT | 1,000 |
| 67 | 2047 | FREE WHEEL | 1,000 |
| 68 | 9024 | BRACE | 1,000 |
| 69 | 71445 | SCREW J M10-75 | 1,000 |
| 70 | 40085 | WASHER | 1,000 |
| 71 | 40082 | BRACE | 1,000 |
| 72 | 2048 | KEY | 1,000 |
| 73 | 40081 | DRIVING SHAFT | 1,000 |
| 74 | 40066 | GEAR HOUSING | 1,000 |
| 76 | 9026 | TYRE D. 220 | 1,000 |
| 77 | 9017 | NUT HM10 | 1,000 |
| 79 | 7038 | SCREW, DIN933 H M 8X | 1,000 |
| 80 | 40306 | WHEEL CARRIER F. R. | 1,000 |
| 81 | 40305 | WHEEL CARRIER F. L | 1,000 |
| 82 | 71010 | CIRCLIPS | 1,000 |
| 83 | 40007 | FIXED PLATE | 1,000 |
| 84 | 40303 | WHEEL CARRIER R.L | 1,000 |
| 85 | 40304 | WHEEL CARRIER R. R | 1,000 |
| 86 | 9062 | RING | 1,000 |
| 87 | 40267 | FLANGE BLACK | 1,000 |
| 88 | 5388 | CHAIN QUICK CONNECT | 1,000 |
| 89 | 40301 | FRONT WHEEL | 1,000 |

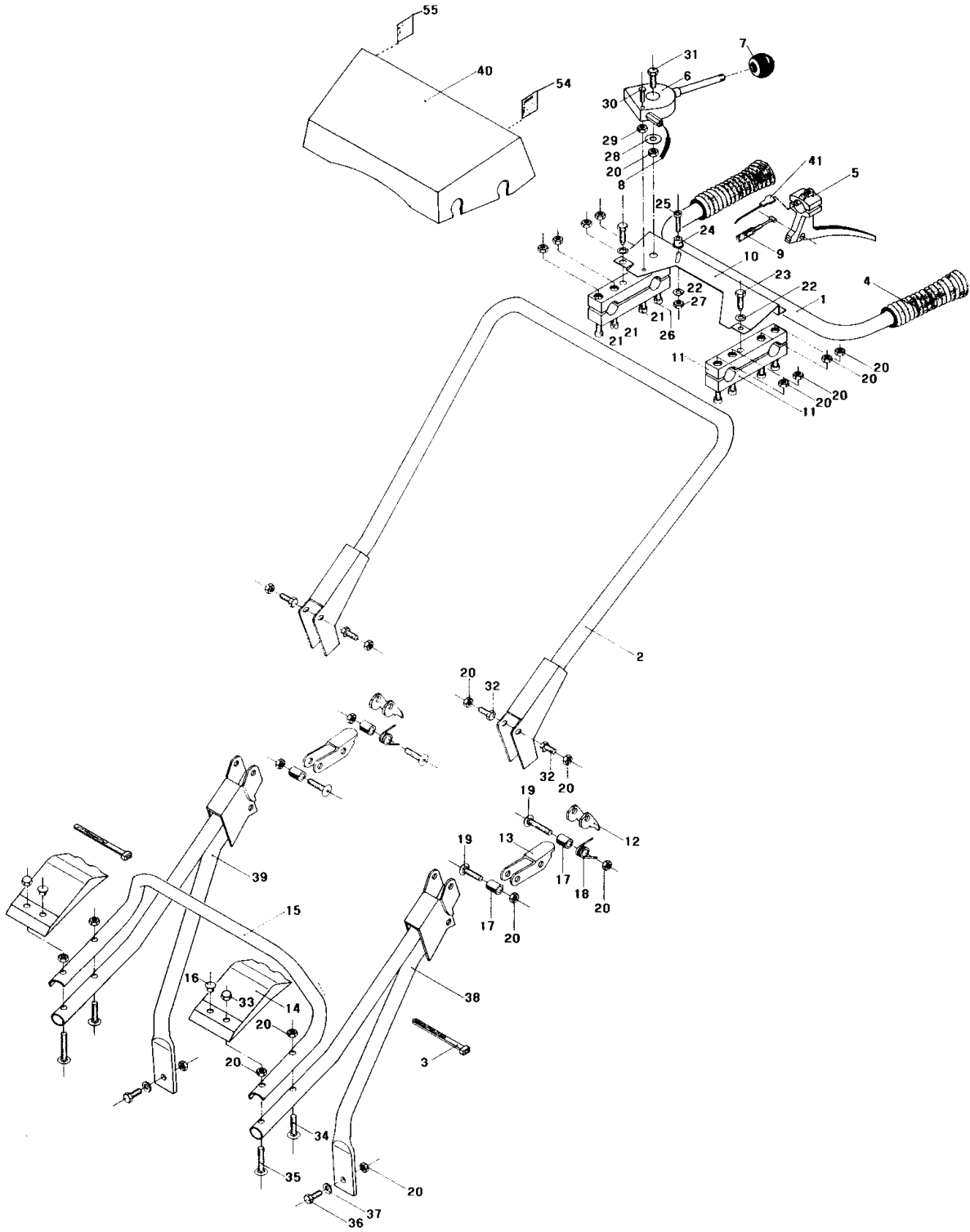
| Number | Part Number | Name | Quantity |
|--------|-------------|---------------------|----------|
| 90 | 40300 | REAR WHEEL | 1,000 |
| 91 | 12048 | STICKER 26*4 | 1,000 |
| 92 | 12711 | 12711 | 1,000 |
| 93 | 40107 | REARWHEEL TIRE | 1,000 |
| 94 | 9032 | 10 TOOTH GEAR | 1,000 |
| 95 | 40479 | DOUBLE PIGNON 10 T. | 1,000 |
| 96 | 40476 | DOUBLE 11T. GEAR | 1,000 |
| 97 | 12727 | 12727 | 1,000 |
| 100 | 42042 | FRONT BUMPER | 1,000 |
| 101 | 42059 | BUMPER PLATE | 1,000 |
| 102 | 42043 | BUSH 15X8,5X10 | 1,000 |
| 103 | 40291 | FENDER KIT RT56 | 1,000 |



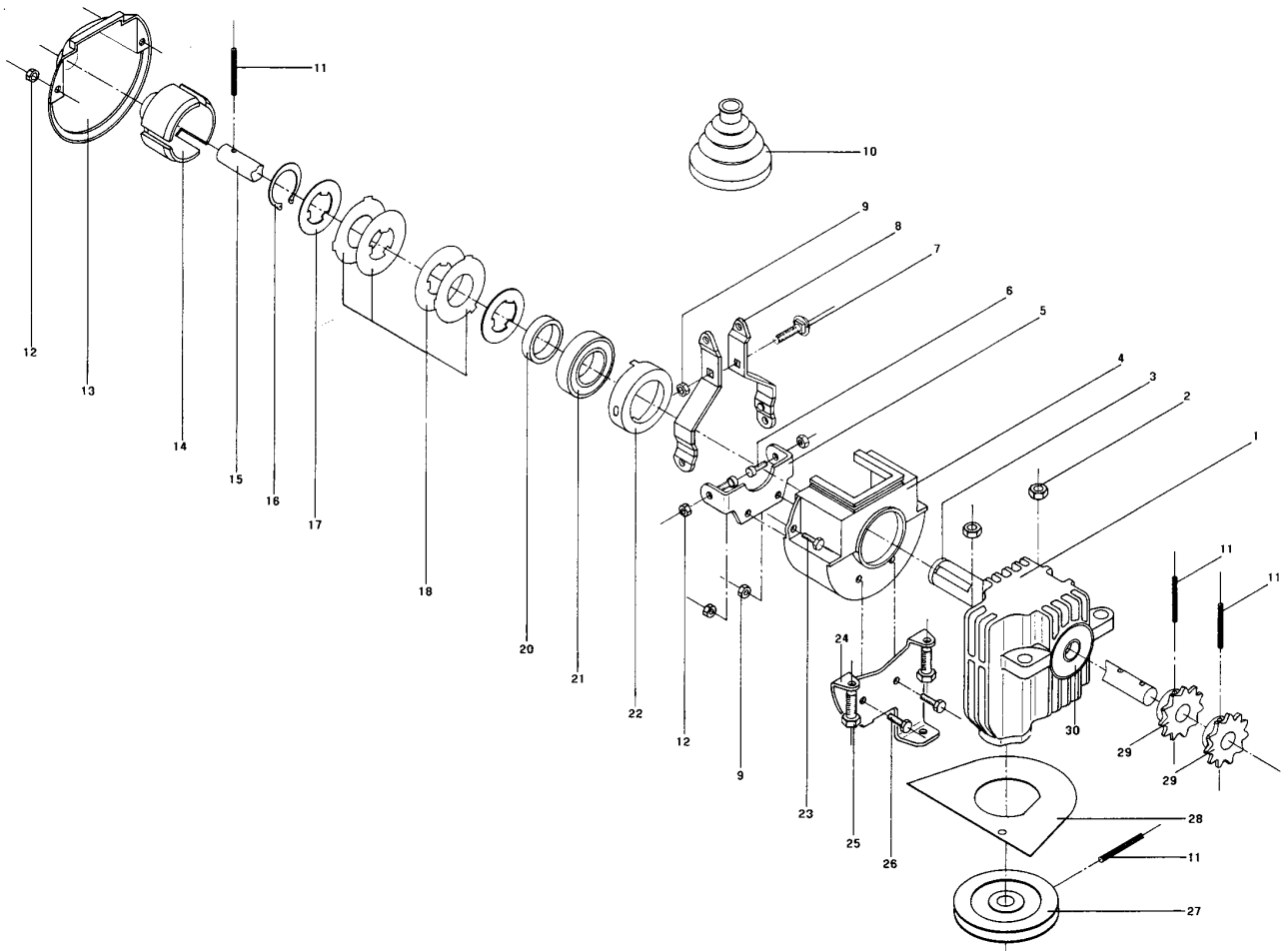
| Number | Part Number | Name | Quantity |
|--------|-------------|---------------------|----------|
| 1 | 40262 | UPPER HANDLEBAR | 1,000 |
| 2 | 40324 | INTERMEDIATE HANDLE | 1,000 |
| 3 | 21119 | COLLAR 260 MM | 1,000 |
| 4 | 5356 | HANDLEBAR GRIP | 1,000 |
| 5 | 21156 | TRACTION LEVER | 1,000 |
| 6 | 5468 | SPEED CONTROL | 1,000 |
| 7 | 21177 | BALL M8 | 1,000 |
| 8 | 40036 | SPEED CONTROL CABLE | 1,000 |
| 9 | 40035 | CLUTCH CABLE+SHEATH | 1,000 |
| 10 | 5946 | SUPPORT PLATE | 1,000 |
| 11 | 21113 | HANDLEBAR LOCK | 1,000 |
| 12 | 40080 | LOCKING CAM | 1,000 |
| 13 | 40039 | LOCKING BODY | 1,000 |
| 14 | 40257 | CHAIN COVER | 1,000 |
| 15 | 40044 | DECK CROSS BEAM | 1,000 |
| 16 | 40015 | PLUG | 1,000 |
| 17 | 40083 | TUBE | 1,000 |
| 18 | 40084 | SPRING | 1,000 |
| 19 | 9057 | SQUARE BOLT,DIN 603 | 1,000 |
| 20 | 71205 | SCREW M8 | 1,000 |
| 21 | 21116 | BOLT M 8 X 40 | 1,000 |
| 22 | 2235 | WASHER A6.4 | 1,000 |
| 23 | 5498 | TAPTITE BOLT M6X16 | 1,000 |
| 24 | 23033 | GUIDE RING | 1,000 |
| 25 | 1340 | BOLT M6X20 | 1,000 |
| 26 | 5490 | BOLT M8X50 | 1,000 |
| 27 | 71201 | NUT M6 | 1,000 |
| 28 | 5444 | WASHER | 1,000 |
| 29 | 21525 | NUT HM4 | 1,000 |
| 30 | 5486 | BOLT HM 4X30 | 1,000 |
| 31 | 9061 | BOLT 8X30 | 1,000 |
| 32 | 40102 | PIVOT | 1,000 |
| 33 | 5043 | NUT | 1,000 |
| 34 | 20520 | BOLT 8X45 | 1,000 |
| 35 | 21513 | BOLT M8X50 | 1,000 |
| 36 | 9071 | SCREW M8X20 | 1,000 |
| 37 | 7335 | WASHER | 1,000 |
| 38 | 40319 | HANDLEBAR LEFT | 1,000 |
| 39 | 40318 | HANDLEBAR RIGHT | 1,000 |
| 40 | 40037 | COVER | 1,000 |
| 41 | 40156 | EARTH CABLE | 1,000 |



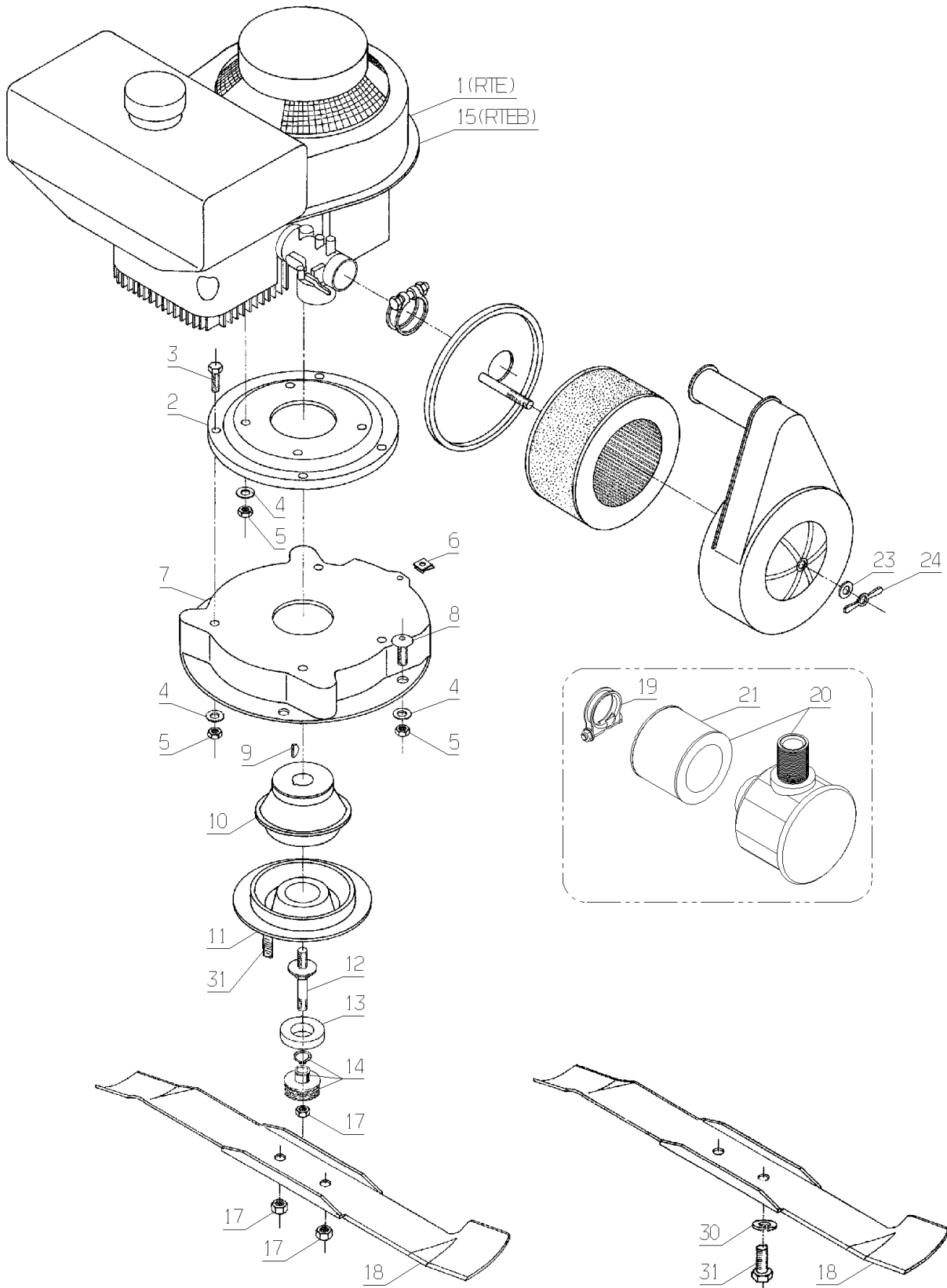
| Number | Part Number | Name | Quantity |
|--------|-------------|----------------|----------|
| 54 | 12047 | STICKER ETESIA | 1,000 |
| 55 | 12098 | 12098 | 1,000 |



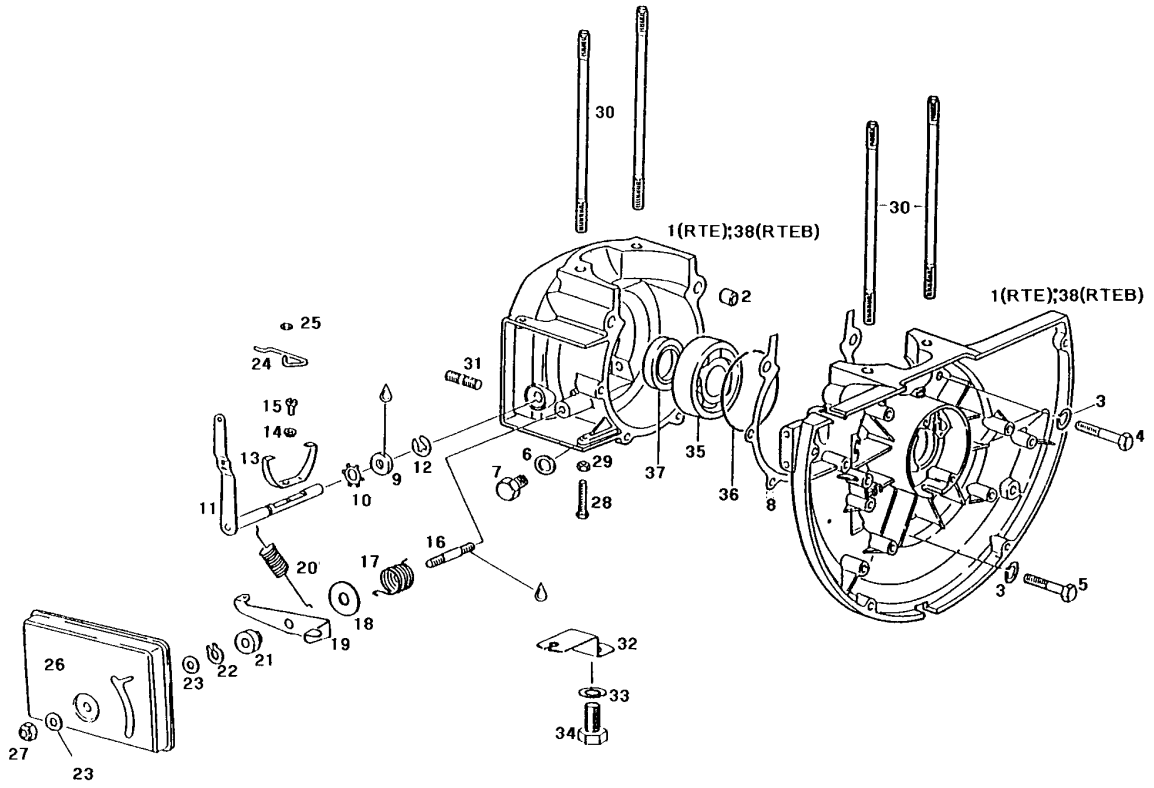
| Number | Part Number | Name | Quantity |
|--------|-------------|---------------------|----------|
| 1 | 9974 | STANDARD REDUCTION | 1,000 |
| 2 | 71205 | SCREW M8 | 1,000 |
| 3 | 40108 | RING C15 19X16BP25 | 1,000 |
| 4 | 40273 | VARNISHED CLUTCH HO | 1,000 |
| 5 | 40020 | CLUTCH LEVER | 1,000 |
| 6 | 5464 | BOLT M5X10 | 1,000 |
| 7 | 21608 | SCREW 6X16 DIN | 1,000 |
| 8 | 40350 | WELDED CLUTCH LEVER | 1,000 |
| 9 | 71201 | NUT M6 | 1,000 |
| 10 | 40029 | PROTECTION BELLOWS | 1,000 |
| 11 | 9033 | PIN DIN 7343 | 1,000 |
| 12 | 37561 | NUT | 1,000 |
| 13 | 40274 | VARNISHED HOUSING | 1,000 |
| 14 | 40026 | DRIVE HOUSING | 1,000 |
| 15 | 40027 | REDUCTION GEAR OUTP | 1,000 |
| 16 | 9201 | CIRCLIP | 1,000 |
| 17 | 9203 | THRUSTDISK | 1,000 |
| 18 | 40298 | SET OF CLUTCH DISKS | 1,000 |
| 20 | 40025 | CLUTCH RING | 1,000 |
| 21 | 5454 | THRUST BEARING 6006 | 1,000 |
| 22 | 40024 | BEARING CAGE | 1,000 |
| 23 | 2009 | BOLT M5X16 | 1,000 |
| 24 | 40003 | REDUCTION GEAR HOUS | 1,000 |
| 25 | 9056 | BOLT 8X25 | 1,000 |
| 26 | 20507 | BOLT HM 6X20 | 1,000 |
| 27 | 40017 | REDUCTION GEAR PULL | 1,000 |
| 28 | 40253 | FIXED BELT COVER | 1,000 |
| 29 | 9032 | 10 TOOTH GEAR | 1,000 |
| 30 | 9022 | BALL BEARING 6002 | 1,000 |



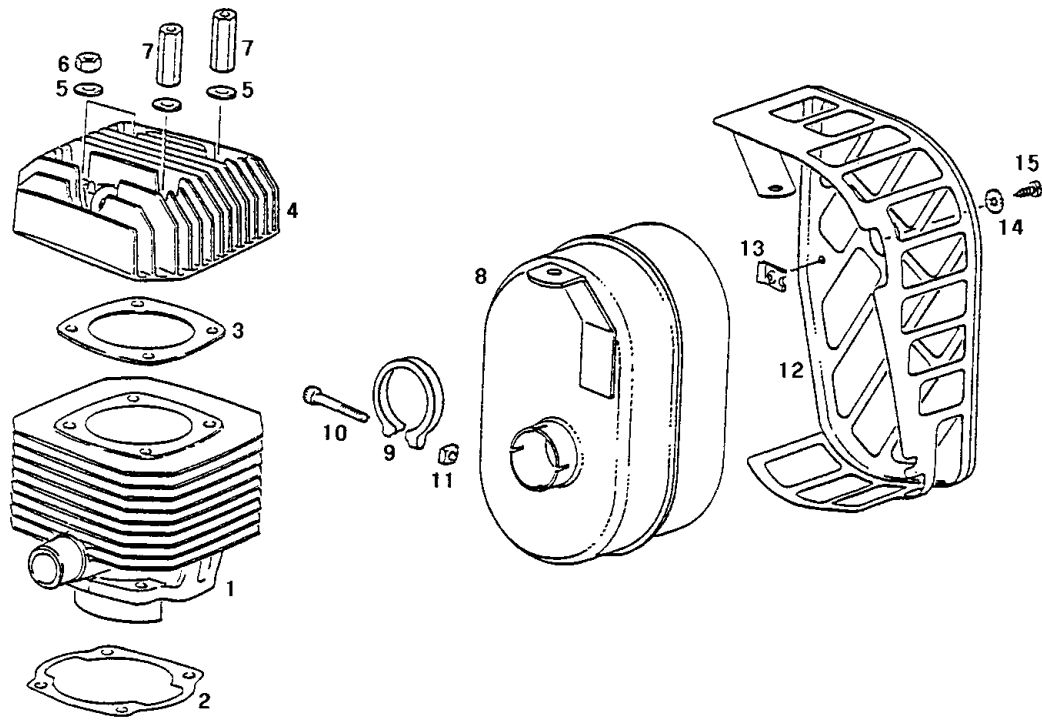
| Number | Part Number | Name | Quantity |
|--------|-------------|---------------------|----------|
| 1 | 40095 | ROTAX ENGINE 232 | 1,000 |
| 2 | 21032 | ENGINE FLANGE | 1,000 |
| 3 | 9061 | BOLT 8X30 | 1,000 |
| 4 | 7335 | WASHER | 1,000 |
| 5 | 71205 | SCREW M8 | 1,000 |
| 6 | 21436 | CLIPS NUT | 1,000 |
| 7 | 40272 | ENGINE BEARER | 1,000 |
| 8 | 5041 | BOLT 8X30 | 1,000 |
| 9 | 7337 | KEY | 1,000 |
| 10 | 40008 | DRIVING CONE | 1,000 |
| 11 | 9103 | CONICAL COUPLING | 1,000 |
| 12 | 40334 | THREADED AXLE | 1,000 |
| 13 | 9015 | THRUST BALL BEARING | 1,000 |
| 14 | 9101 | BUSHING + WASHERS | 1,000 |
| 15 | 40098 | ROTAX ENGINE+ALTERN | 1,000 |
| 17 | 9017 | NUT HM10 | 1,000 |
| 18 | RZA56 | BLADE FOR RTE | 1,000 |
| 19 | 40214 | FIXING COLLAR | 1,000 |
| 20 | 40215 | AIR CLEANER | 1,000 |
| 21 | 40216 | FILTER CARTRIDGE | 1,000 |
| 23 | 2235 | WASHER A6.4 | 1,000 |
| 24 | 1504 | WING NUT | 1,000 |
| 30 | 71052 | SPRING WASHER,DIN 1 | 1,000 |



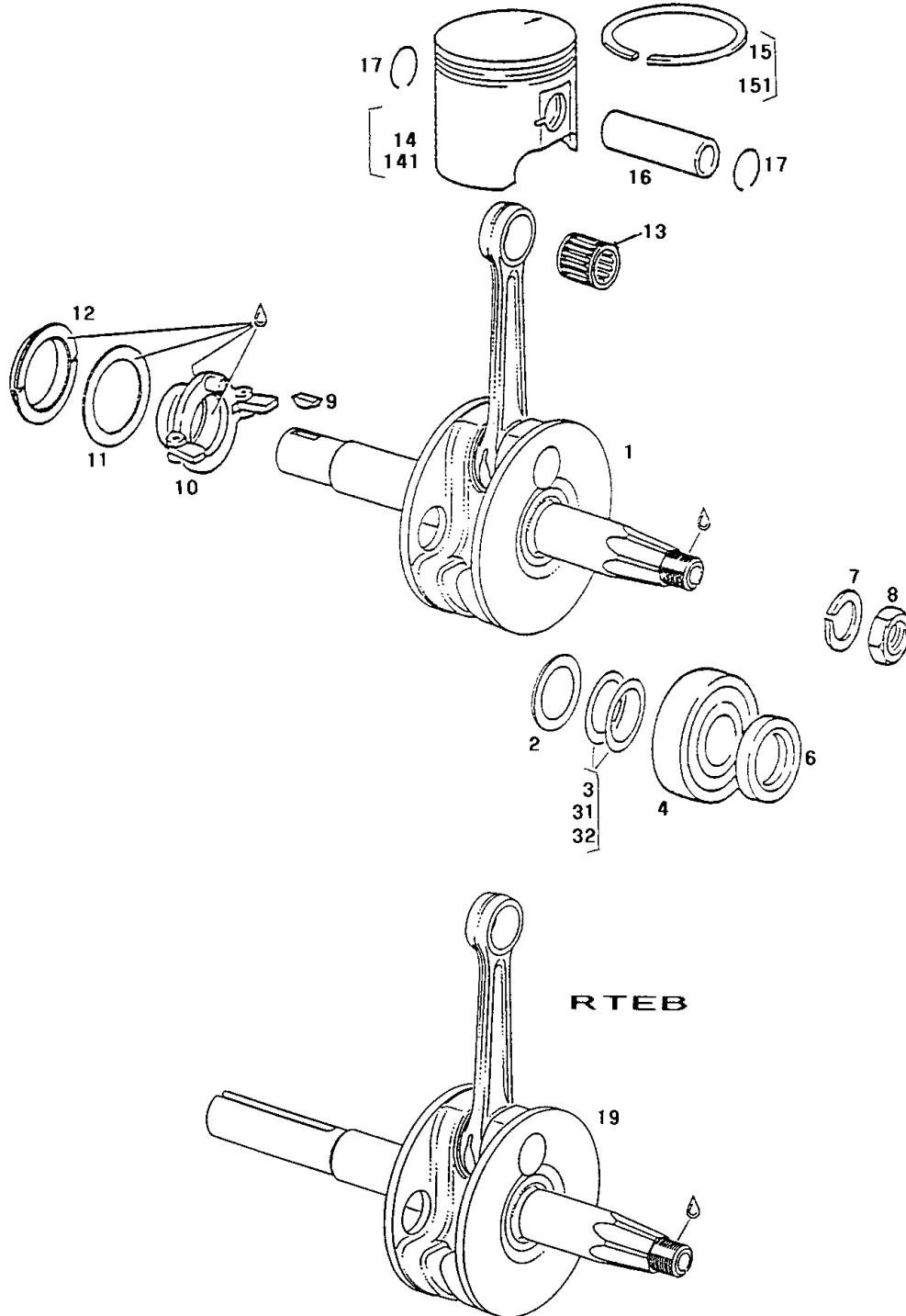
| Number | Part Number | Name | Quantity |
|--------|-------------|---------------------|----------|
| 1 | 9600 | ENGINE CASING | 1,000 |
| 2 | 9601 | SPACER 9,8X10 | 1,000 |
| 3 | 9602 | SPRING WASHER | 1,000 |
| 4 | 9603 | BOLT M6X40 | 1,000 |
| 5 | 9604 | BOLT M6X35 | 1,000 |
| 6 | 9736 | WASHER A8X13 | 1,000 |
| 7 | 9737 | BOLT M8X9 | 1,000 |
| 8 | 9605 | CASING GASKET | 1,000 |
| 9 | 9608 | GASKET | 1,000 |
| 10 | 9609 | RING | 1,000 |
| 11 | 9611 | REG.AXLE CPLT | 1,000 |
| 12 | 9607 | CIRCLIP | 1,000 |
| 13 | 9613 | PRESSURE LEVER | 1,000 |
| 14 | 9612 | SOCKET | 1,000 |
| 15 | 9738 | BOLT M4X10 | 1,000 |
| 16 | 9739 | STUD M6X25/12 | 1,000 |
| 17 | 9614 | TENSION SPRING | 1,000 |
| 18 | 9615 | WASHER | 1,000 |
| 19 | 9616 | SETTING LEVER | 1,000 |
| 20 | 9617 | REG. SPRING 2900 | 1,000 |
| 21 | 9618 | SLEEVE | 1,000 |
| 22 | 9619 | CIRCLIP | 1,000 |
| 23 | 9620 | WASHER | 1,000 |
| 24 | 9622 | REG.ROD | 1,000 |
| 25 | 9623 | WASHER | 1,000 |
| 26 | 9621 | REGUL. COVER | 1,000 |
| 27 | 71201 | NUT M6 | 1,000 |
| 28 | 4788 | BOLT M5X25 | 1,000 |
| 29 | 71200 | SCREW M5 | 1,000 |
| 30 | 9606 | PIN M8X158,5 | 1,000 |
| 31 | 4710 | DOUBLE END STUD | 1,000 |
| 32 | 9624 | SLEEVING STOP | 1,000 |
| 33 | 71052 | SPRING WASHER,DIN 1 | 1,000 |
| 34 | 9740 | BOLT M10X20 | 1,000 |
| 35 | 9635 | BALL BEARING | 1,000 |
| 36 | 9636 | CABLE RING | 1,000 |
| 37 | 9637 | SEAL | 1,000 |
| 38 | 9765 | ENGINE CRANKCASE | 1,000 |



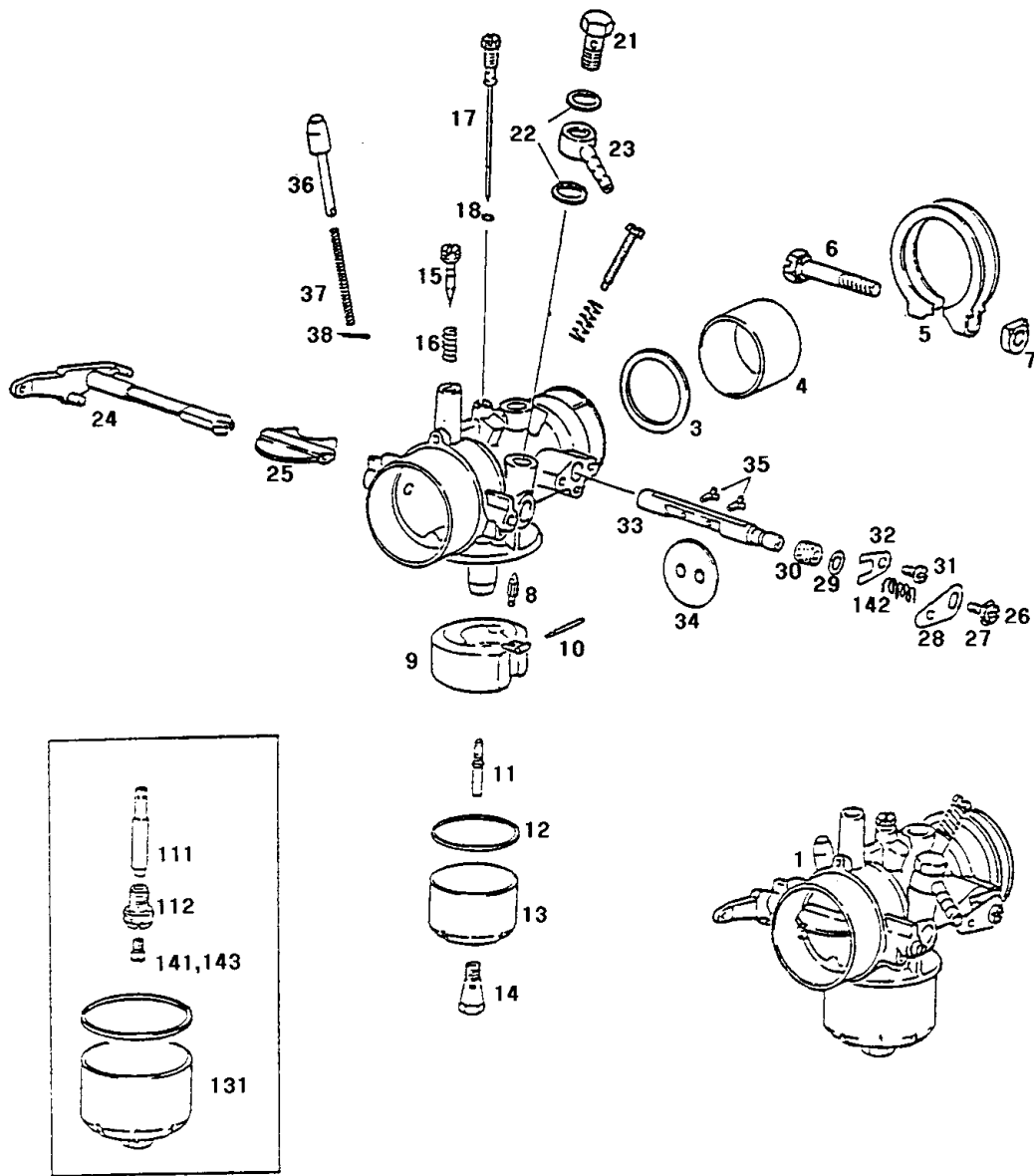
| Number | Part Number | Name | Quantity |
|--------|-------------|---------------------|----------|
| 1 | 9655 | WORKING CYLINDER | 1,000 |
| 2 | 9656 | CYLINDER GASKET | 1,000 |
| 3 | 9657 | CYL. HEAD GASKET | 1,000 |
| 4 | 9658 | CYLINDER HEAD | 1,000 |
| 5 | 7335 | WASHER | 1,000 |
| 6 | 2020 | NUT HM8 | 1,000 |
| 7 | 9659 | NUT M8X37 | 1,000 |
| 8 | 9734 | MUFFLER | 1,000 |
| 9 | 9661 | RING CPLT | 1,000 |
| 10 | 9662 | BOLT M 7X40 | 1,000 |
| 11 | 9663 | NUT M7 | 1,000 |
| 12 | 9735 | PROTECTOR | 1,000 |
| 13 | 21436 | CLIPS NUT | 1,000 |
| 14 | 71049 | SPRING WASHER,DIN 1 | 1,000 |
| 15 | 21437 | SCREW | 1,000 |



| Number | Part Number | Name | Quantity |
|--------|-------------|--------------------|----------|
| 1 | 9758 | CRANKSHAFT ASSEMB. | 1,000 |
| 2 | 9631 | WASHER 1,0MM | 1,000 |
| 3 | 9632 | WASHER 0,2MM | 1,000 |
| 4 | 9635 | BALL BEARING | 1,000 |
| 6 | 9637 | SEAL | 1,000 |
| 7 | 9638 | SPRING WASHER | 1,000 |
| 8 | 9639 | NUT M16X1,5 | 1,000 |
| 9 | 7337 | KEY | 1,000 |
| 10 | 9641 | REGULATOR CUP | 1,000 |
| 11 | 9642 | DISK | 1,000 |
| 12 | 9643 | FRICTION WASHER | 1,000 |
| 13 | 9650 | NEEDLE BEARING | 1,000 |
| 14 | 9644 | PISTON STD | 1,000 |
| 15 | 9646 | PISTON SEGMT STD | 1,000 |
| 16 | 9648 | PISTON AXLE | 1,000 |
| 17 | 9649 | RING 18 | 1,000 |
| 19 | 9769 | CRANKSHAFT CPLTE | 1,000 |
| 31 | 9633 | WASHER 0,3MM | 1,000 |
| 32 | 9634 | WASHER 0,5MM | 1,000 |
| 141 | 9645 | PISTON D1 | 1,000 |
| 151 | 9647 | PISTON SEGMENT D1 | 1,000 |

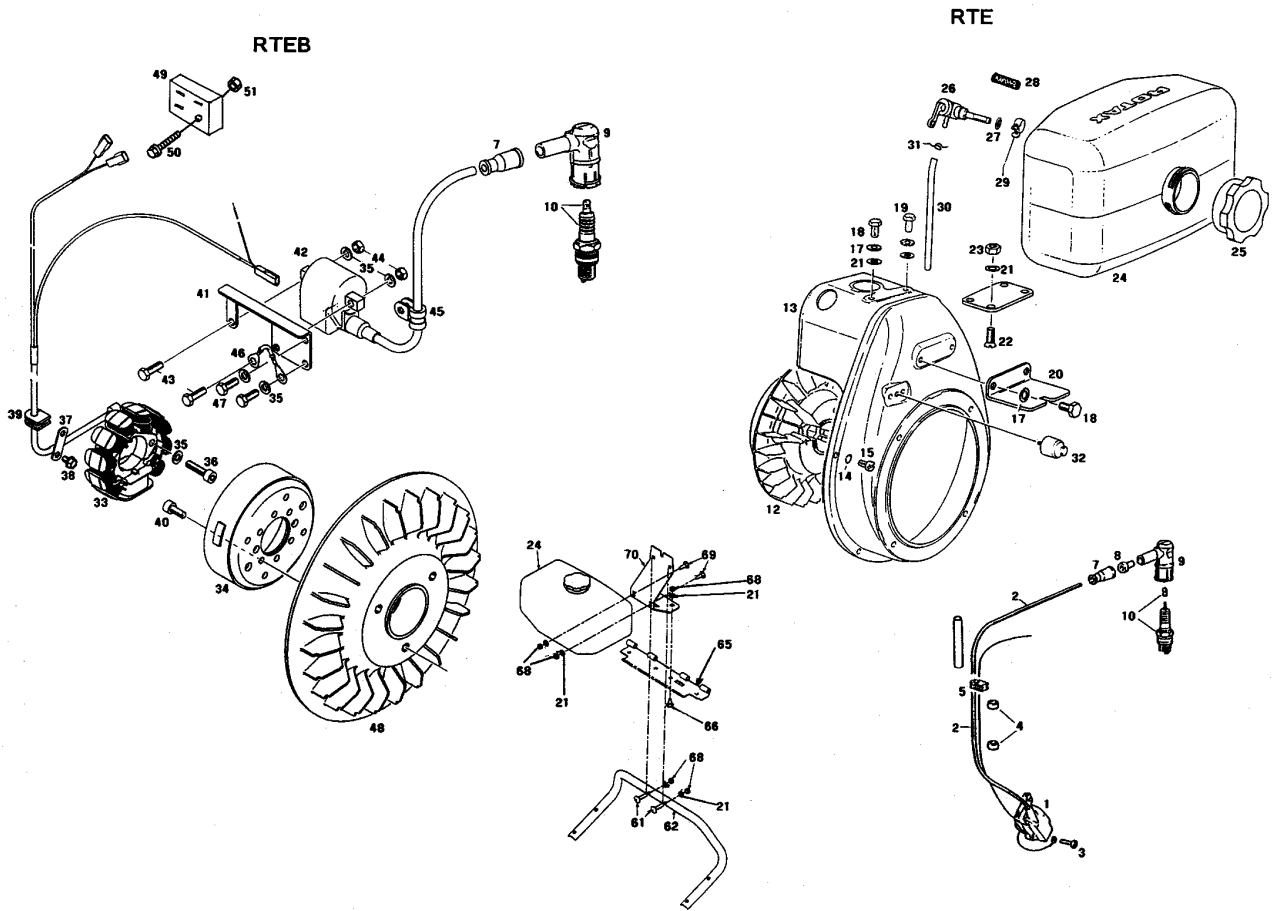


| Number | Part Number | Name | Quantity |
|--------|-------------|---------------------|----------|
| 1 | 9690 | CARBURETOR CPLT | 1,000 |
| 3 | 9691 | WASHER | 1,000 |
| 4 | 9692 | INSULATING RING | 1,000 |
| 5 | 9693 | CLAMP | 1,000 |
| 6 | 9745 | BOLT M6X35 | 1,000 |
| 7 | 9746 | NUT M6 | 1,000 |
| 8 | 9694 | VALVE NEEDLE | 1,000 |
| 9 | 9747 | CARBURETTOR FLOAT | 1,000 |
| 10 | 9748 | PIN | 1,000 |
| 11 | 9695 | MIX TUBE | 1,000 |
| 12 | 9749 | WASHER | 1,000 |
| 13 | 9750 | CARBURATOR VAT | 1,000 |
| 14 | 9696 | MAIN NOZZLE 115 | 1,000 |
| 15 | 9697 | AIR SET SCREW | 1,000 |
| 16 | 9698 | SPRING | 1,000 |
| 17 | 9699 | SLOW SPEED JET | 1,000 |
| 18 | 9700 | SEAL | 1,000 |
| 21 | 9751 | BOLT | 1,000 |
| 22 | 9752 | GASKET | 1,000 |
| 23 | 9753 | CONNEXION | 1,000 |
| 24 | 9703 | STARTER AXLE | 1,000 |
| 25 | 9704 | STARTER VALVE | 1,000 |
| 26 | 9705 | SCREW M3X5 | 1,000 |
| 27 | 9706 | SPRING WASHER | 1,000 |
| 28 | 9707 | REGULATOR LEVER | 1,000 |
| 29 | 9708 | WASHER | 1,000 |
| 30 | 9709 | SHEATH | 1,000 |
| 31 | 9754 | BOLT M3,5 X 5 | 1,000 |
| 32 | 9755 | PLATTE | 1,000 |
| 33 | 9710 | REGULATOR AXLE | 1,000 |
| 34 | 9711 | REGULATING FLAP | 1,000 |
| 35 | 9712 | SCREW | 1,000 |
| 36 | 9713 | PUMP | 1,000 |
| 37 | 9714 | PUMP SPRING | 1,000 |
| 38 | 9715 | PIN 0,8X5 | 1,000 |
| 111 | 9760 | MIXING TUBE | 1,000 |
| 112 | 9764 | SPRAY NOZZLE HOLDER | 1,000 |
| 131 | 9761 | FLOATTER CELL | 1,000 |
| 141 | 4852 | MAIN SPRAY NOZ.100 | 1,000 |
| 142 | 9717 | PRESSION SPRING | 1,000 |
| 143 | 4825 | JET 105 | 1,000 |

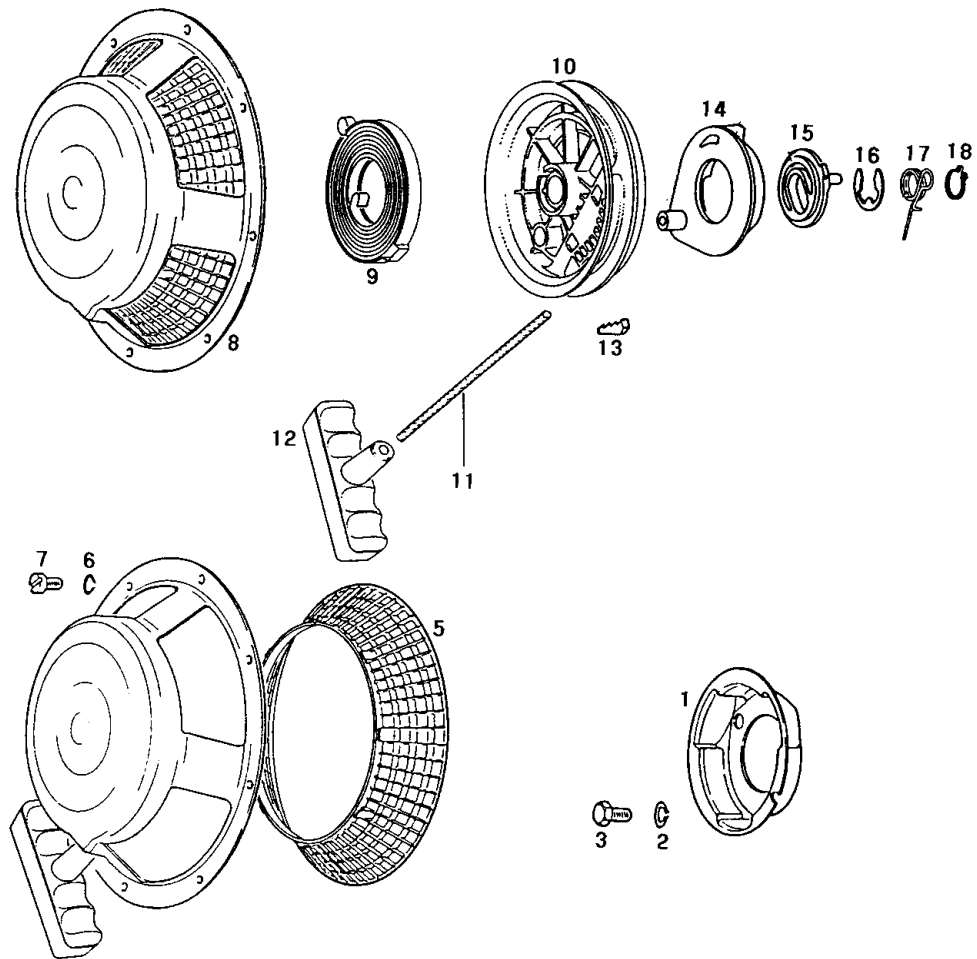


| Number | Part Number | Name | Quantity |
|--------|-------------|---------------------|----------|
| 1 | 9665 | COIL+CABLE | 1,000 |
| 2 | 9666 | SPARK CABLE | 1,000 |
| 3 | 9667 | SCREW | 1,000 |
| 4 | 9668 | RING | 1,000 |
| 5 | 9669 | CABLE BUSHING | 1,000 |
| 7 | 9743 | CABLE PROTECTION | 1,000 |
| 8 | 9670 | SLEEVE | 1,000 |
| 9 | 9671 | SPARK PLUG CAP | 1,000 |
| 10 | 3041 | SPARK PLUG | 1,000 |
| 12 | 9676 | FLYWHEEL | 1,000 |
| 13 | 9677 | VENTILATION CASING | 1,000 |
| 14 | 71049 | SPRING WASHER,DIN 1 | 1,000 |
| 15 | 9741 | BOLT M6X12 | 1,000 |
| 17 | 9742 | WASHER | 1,000 |
| 18 | 9756 | BOLT M8X16 | 1,000 |
| 19 | 71413 | SCREW HM 8-20 | 1,000 |
| 20 | 40387 | TANK SUPPORT SET | 1,000 |
| 21 | 7335 | WASHER | 1,000 |
| 22 | 9680 | BOLT M8X20 | 1,000 |
| 23 | 2020 | NUT HM8 | 1,000 |
| 24 | 9681 | TANK | 1,000 |
| 25 | 9682 | TANK CAP | 1,000 |
| 26 | 9684 | VALVE | 1,000 |
| 27 | 9664 | SEAL | 1,000 |
| 28 | 9686 | STRAINER | 1,000 |
| 29 | 9685 | RING | 1,000 |
| 30 | 9688 | PIPE 210MM | 1,000 |
| 31 | 9687 | SQUEERING RING | 1,000 |
| 32 | 9744 | SHORT CIRCUIT | 1,000 |
| 33 | 9770 | ALTERNATOR | 1,000 |
| 34 | 9771 | FLYWHEEL MAGNETO | 1,000 |
| 35 | 9602 | SPRING WASHER | 1,000 |
| 36 | 20693 | HEX.SCREW HM6X25 | 1,000 |
| 37 | 9767 | PLATE | 1,000 |
| 38 | 9768 | SCREW M5X8 | 1,000 |
| 40 | 2009 | BOLT M5X16 | 1,000 |
| 41 | 9766 | COIL TRANSIST.BRACK | 1,000 |
| 42 | 9773 | IGNITION COIL | 1,000 |
| 43 | 20507 | BOLT HM 6X20 | 1,000 |
| 44 | 1557 | NUT HM6 | 1,000 |
| 45 | 9774 | COLLAR 8/M6 | 1,000 |

| Number | Part Number | Name | Quantity |
|--------|-------------|---------------------|----------|
| 46 | 9775 | GROUND CABLE | 1,000 |
| 47 | 71084 | BOLT HM6X16 DIN 933 | 1,000 |
| 48 | 9772 | COOLING FAN | 1,000 |
| 49 | 40139 | RECTIFIER | 1,000 |
| 50 | 71183 | SCREW M5X20 | 1,000 |
| 51 | 37561 | NUT | 1,000 |
| 61 | 71118 | SCREW 8X35 | 1,000 |
| 62 | 40044 | DECK CROSS BEAM | 1,000 |
| 65 | 40255 | HINGE | 1,000 |
| 66 | 9071 | SCREW M8X20 | 1,000 |
| 68 | 71205 | SCREW M8 | 1,000 |
| 69 | 5347 | SCREW 8X25 | 1,000 |
| 70 | 40182 | BRACKET | 1,000 |



| Number | Part Number | Name | Quantity |
|--------|-------------|---------------------|----------|
| 1 | 9721 | STARTER PULLEY | 1,000 |
| 2 | 9742 | WASHER | 1,000 |
| 3 | 9756 | BOLT M8X16 | 1,000 |
| 5 | 9720 | GRID | 1,000 |
| 6 | 71049 | SPRING WASHER,DIN 1 | 1,000 |
| 7 | 9741 | BOLT M6X12 | 1,000 |
| 8 | 9722 | STARTER CASING | 1,000 |
| 9 | 9723 | SPRING | 1,000 |
| 10 | 9724 | ROPE PULLEY | 1,000 |
| 11 | 4792 | ROPE 5MM X 1,75 M. | 1,000 |
| 12 | 9727 | STATER HANDLE | 1,000 |
| 13 | 9725 | KEY | 1,000 |
| 14 | 9728 | DRIVER | 1,000 |
| 15 | 9729 | BRAKE | 1,000 |
| 16 | 9730 | CIRCLIP | 1,000 |
| 17 | 9731 | BRAKE SPRING | 1,000 |
| 18 | 9732 | CIRCLIP | 1,000 |



| Number | Part Number | Name | Quantity |
|--------|-------------|-------------------|----------|
| 5 | 5104 | HINGE | 1,000 |
| 7 | 71201 | NUT M6 | 1,000 |
| 8 | 24991 | -> 2X 24903 | 1,000 |
| 9 | 40195 | NM GRASBAG HANDLE | 1,000 |
| 10 | 2235 | WASHER A6.4 | 1,000 |
| 11 | 40391 | GRASBAG FRAME NM | 1,000 |
| 12 | 40190 | GRASBAG NM | 1,000 |

162.01
PANIER
FANGKORB
GRASSBOX

