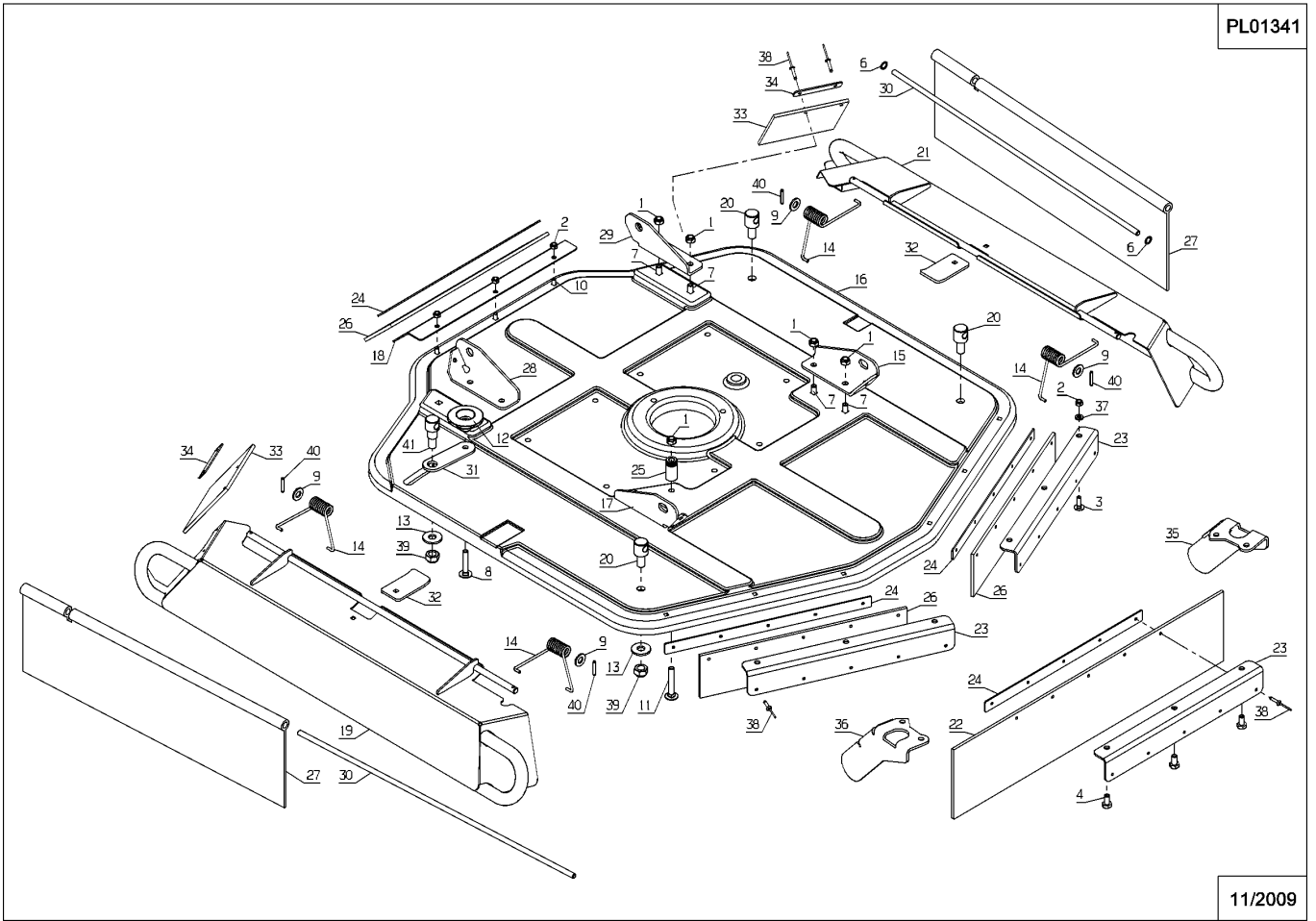


Number	Part Number	Name	Quantity
1	71205	SCREW M8	1,000
2	71201	NUT M6	1,000
3	5496	SCREW 6X20	1,000
4	6169	SCREW HM8X16	1,000
6	7377	TRUARC COLLAR DIN 7	1,000
7	9071	SCREW M8X20	1,000
8	20520	BOLT 8X45	1,000
9	21036	FLAT WASHER 10.5	1,000
10	21608	SCREW 6X16 DIN	1,000
11	22031	SCREW 8X55	1,000
12	24610	BUTTON (SMALL)	1,000
13	1560	FLAT WASHER 13X25X3	1,000
14	28245	FLAP SPRING	1,000
15	32310	BRACKET	1,000
16	32345	CUT.DECK CENTR.PART	1,000
17	32364	BRACKET	1,000
18	32405	REAR DEFLECTOR	1,000
19	32417	DEFLECTOR	1,000
20	32423	ROTATION BLOCK	1,000
21	32425	CUT.DECK PROTECTION	1,000
22	32539	FR.RUBBER FLAPPER	1,000
23	32540	RUBB.FLAPP.BRACKET	1,000
24	35744	RUB.FLAP.REINFORC.	1,000
25	36047	SPRING HANG.STUD	1,000
26	36482	RUBBER FLAPPER	1,000
27	36486	PROTECION	1,000
28	36494	BRACKET	1,000
29	36495	BRACKET	1,000
30	36496	AXLE	1,000
31	36775	CONNECTING ROD	1,000
32	36776	ANSCHLAG DEFLECTOR	1,000
33	36792	RUBBER FLAPPER	1,000
34	36793	RUB.FLAP.FIX.PLATE	1,000
35	36807	FOOT PROTEC.LEFT	1,000
36	36808	FOOT PROTECT.RIGHT	1,000
37	71094	WASHER 6,4	1,000
38	71112	DIA.4X18 STAR RIVET	1,000
39	71157	NUT AUTOFR.HM12	1,000
40	71188	PIN 4-26	1,000
41	36777	ADJUSTMENT BOLT	1,000

PL01341



11/2009

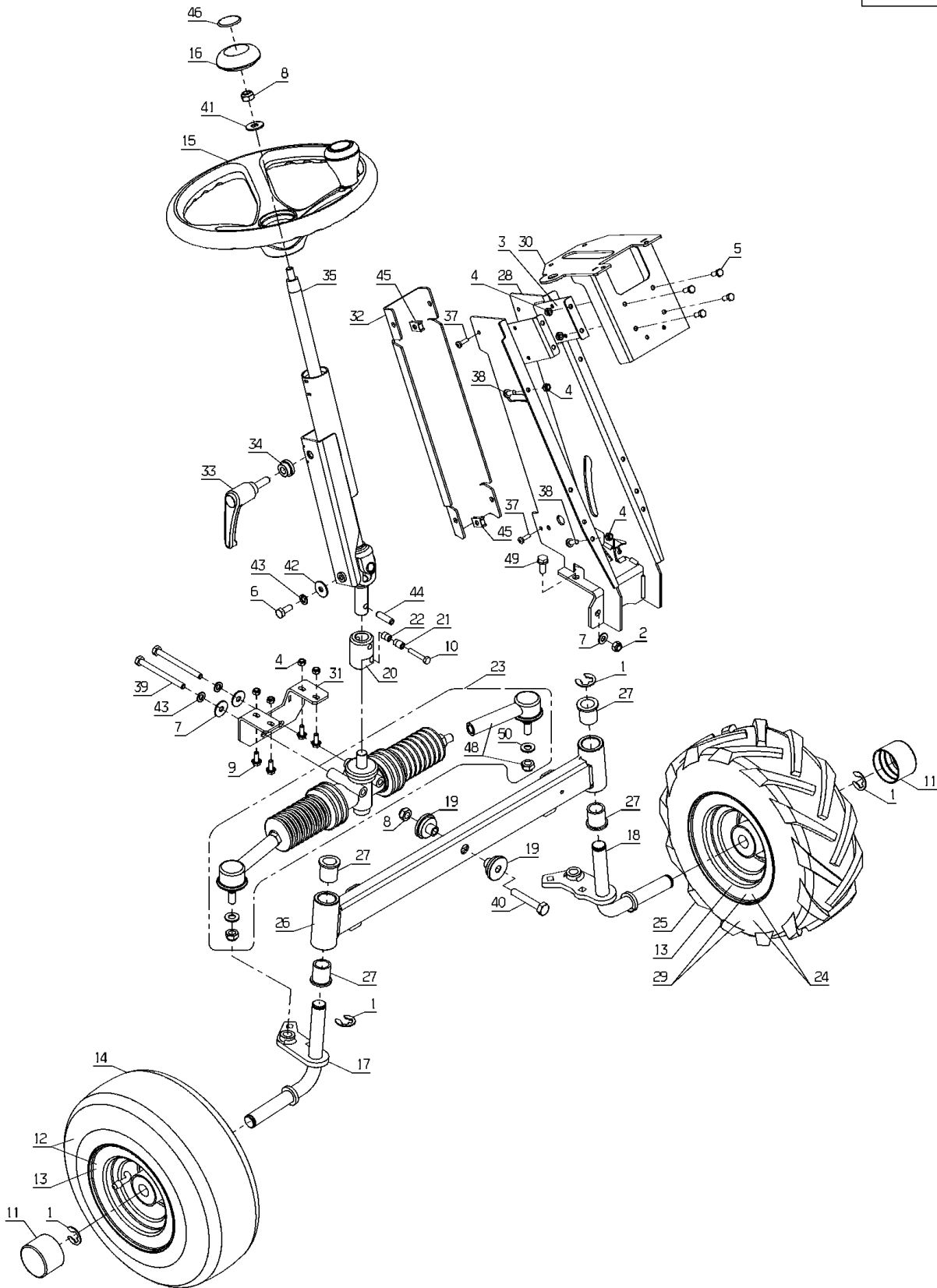
Number	Part Number	Name	Quantity
1	71205	SCREW M8	1,000
2	71052	SPRING WASHER,DIN 1	1,000
3	71201	NUT M6	1,000
4	7335	WASHER	1,000
5	9009	WASHER	1,000
6	71053	HEXAG.NUT,DIN 985-8	1,000
7	20507	BOLT HM 6X20	1,000
8	20602	KEY 5X5X25	1,000
9	71382	SCREW M8X65	1,000
10	21553	BEARING 6305-2RS	1,000
11	27166	SCREW M14X35	1,000
12	21608	SCREW 6X16 DIN	1,000
13	25117	PLUG T. ARM	1,000
14	25124	TENSION SPRING	1,000
15	25126	BELT TIGHTENER ARM	1,000
16	26156	BELT TIGHTENER PULL	1,000
17	28070	SLEEVE 15/17/20	1,000
18	28078	CLUTCH STOP GUIDE	1,000
19	28411	BELT TIGH.YOKE	1,000
21	38391	BLADE BELT	1,000
22	54928	BLADE BODY	1,000
23	32315	BLADE SHAFT	1,000
24	32398	TENSIONNER ARM	1,000
25	32438	BEARING	1,000
26	32548	WASHER	1,000
27	27543	FIXING KIT MC85	1,000
28	35323	BLADE CLUTCH STOP	1,000
29	35576	BLADE CLUTCH TG105	1,000
30	35748	BEARING PROTECTION	1,000
31	36044	PULLEY	1,000
32	36615	BUSH	1,000
33	71034	FLAT WASHER NFE 276	1,000
34	71036	DIN 471 14X1 EXT. C	1,000
35	71049	SPRING WASHER,DIN 1	1,000
36	37665	WASHER	1,000
37	71032	KAWA SCREW H M10X75	1,000
39	71110	HEXAGON SCREW,DIN 9	1,000
40	71242	HEX.SCREW HM10X35	1,000
42	27266	KNIFE COLLAR	1,000
43	9166	WASHER 15X24X2	1,000
44	71047	CIRCLIP DIN 471 15X	1,000

Number	Part Number	Name	Quantity
45	25112	BALL BEARING,6202 S	1,000
46	71039	CIRCLIP,DIN 427 35X	1,000
47	71200	SCREW M5	1,000
48	71284	SCREW HM5X12	1,000
50	21560	CIRCLIP 62X2 I.	1,000
51	5411	WASHER	1,000
53	54924	BLADE COUPLING M8	1,000
54	5347	SCREW 8X25	1,000
59	5496	SCREW 6X20	1,000
60	MC85	SWING TIP KIT	1,000

Number	Part Number	Name	Quantity
1	1513	CIRCLIP 15	1,000
2	71205	SCREW M8	1,000
3	2235	WASHER A6.4	1,000
4	71201	NUT M6	1,000
5	37997	SCREW HM6-16 8.8	1,000
6	71413	SCREW HM 8-20	1,000
7	7335	WASHER	1,000
8	9017	NUT HM10	1,000
10	22456	SCREW HM 6X40	1,000
11	25176	WHEEL CAP	1,000
12	28765	FRONT WHEEL 13"	1,000
13	28766	-> 38813	1,000
14	28767	-> 28733	1,000
15	29900	STEERING WHEEL	1,000
16	29978	STEERING WHEEL CAP	1,000
17	32368	RIGHT STUB AXLE	1,000
18	32371	LEFT STUB AXLE	1,000
19	32406	BUSH	1,000
20	32407	COUPLING	1,000
21	32408	BUSH	1,000
22	32409	BUSH	1,000
23	32435	-> 51529	1,000
24	32498	-> 55357	1,000
25	32499	AGRARIAN TYRE 13"	1,000
26	35261	FRONT AXLE	1,000
27	35412	BEARING 20/26/30	1,000
28	35578	CONSOLE	1,000
29	35777	-> 55356	1,000
30	35812	BRACKET	1,000
31	35905	PLATE	1,000
32	35907	REAR CONSOLE COVER	1,000
33	36206	GRIP	1,000
34	36237	SPACER	1,000
35	32375	STEERING COLUMN	1,000
37	37996	SCREW HM5-16 8.8	1,000
39	71199	SCREW HM8X90	1,000
40	71210	SCREW HM10-60,8.8	1,000
41	71238	WASHER A10,2	1,000
42	71274	WASHER B8.4	1,000
43	71343	SPRING WASHER A8	1,000
44	71389	SPIRAL PIN 8X30	1,000

Number	Part Number	Name	Quantity
45	71403	NUT	1,000
46	25330	BADGE - ETESIA	1,000
47	7035	FLAT WASHER	1,000
48	34614	STEERING KNUCKLE	1,000
50	21036	FLAT WASHER 10.5	1,000

PL01344

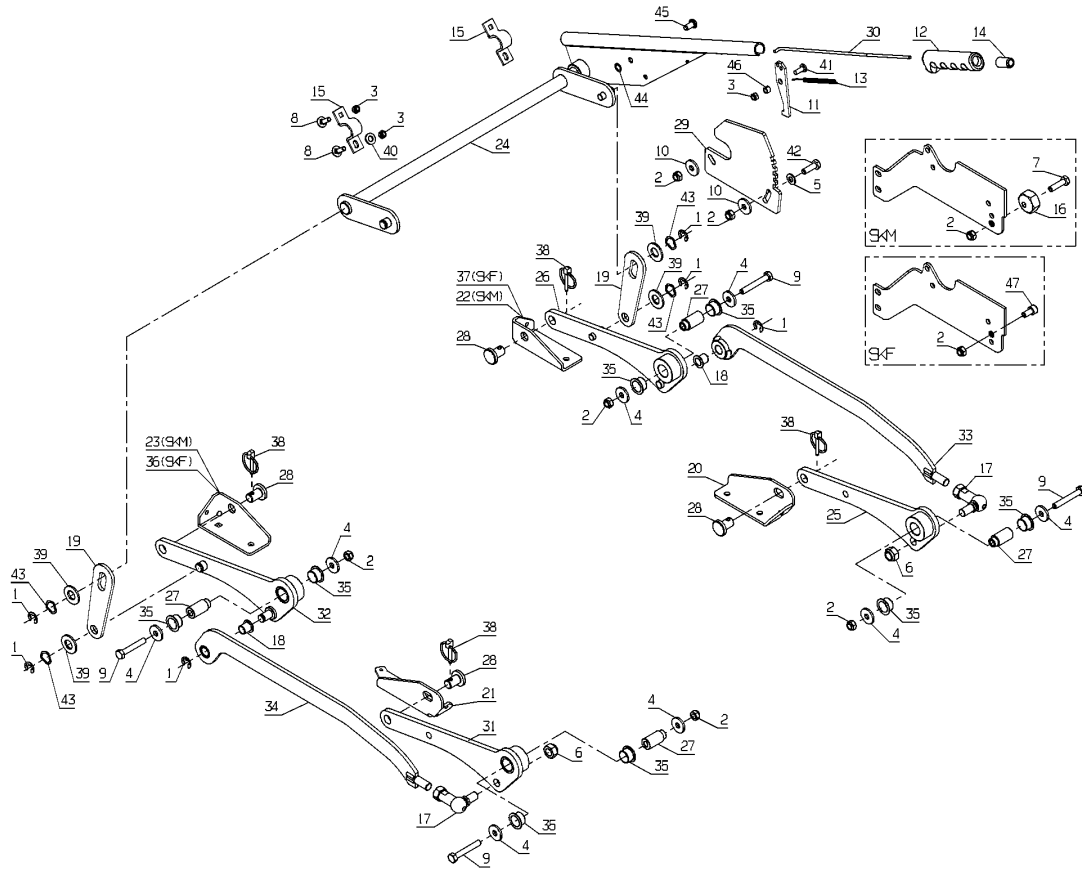


04/2010

Number	Part Number	Name	Quantity
1	1559	RING TRUARC 10	1,000
2	71205	SCREW M8	1,000
3	71201	NUT M6	1,000
4	7035	FLAT WASHER	1,000
5	7335	WASHER	1,000
6	71157	NUT AUTOFR.HM12	1,000
7	9061	BOLT 8X30	1,000
8	21608	SCREW 6X16 DIN	1,000
9	21687	HEXAGON SCREW,DIN 9	1,000
10	22065	WASHER 25X8,5X3	1,000
11	25419	RATCHET	1,000
12	25421	GRIP	1,000
13	25422	RATCHET PULL-BACK S	1,000
14	25429	PARKING BRAKE RELEA	1,000
15	25711	STRAP	1,000
16	28040	CUTTING HEIGHT STOP	1,000
17	37178	KNUCKLE M12	1,000
18	28555	SLEEVE 12/14/15	1,000
19	32305	CONNECTING ROD	1,000
20	32310	BRACKET	1,000
21	32364	BRACKET	1,000
22	32374	BRACKET	1,000
23	32386	BRACKET	1,000
24	32393	CUT.HEIG.STEER.ASSY	1,000
25	32472	ARM FRONT	1,000
26	32492	ARM	1,000
27	32493	SHAFT	1,000
28	32504	SHAFT	1,000
29	32506	PLATE	1,000
30	35160	STEERING ROD	1,000
31	36333	ARM	1,000
32	36334	ARM	1,000
33	36342	LINGAGE	1,000
34	36359	LINKAGE	1,000
35	36360	BEARING 18/20/12	1,000
36	36494	BRACKET	1,000
37	36495	BRACKET	1,000
38	71005	SAFETY PIN,DIN 1102	1,000
39	71034	FLAT WASHER NFE 276	1,000
40	71075	WASHER	1,000
41	37997	SCREW HM6-16 8.8	1,000

Number	Part Number	Name	Quantity
42	71273	SCREW H M8X25	1,000
43	5411	WASHER	1,000
44	7377	TRUARC COLLAR DIN 7	1,000
45	71041	A TYPE SHAFT,DIN 14	1,000
46	25887	STEP SPACER	1,000
47	71372	IN.HEX.SCREW M8X16	1,000

PL01349

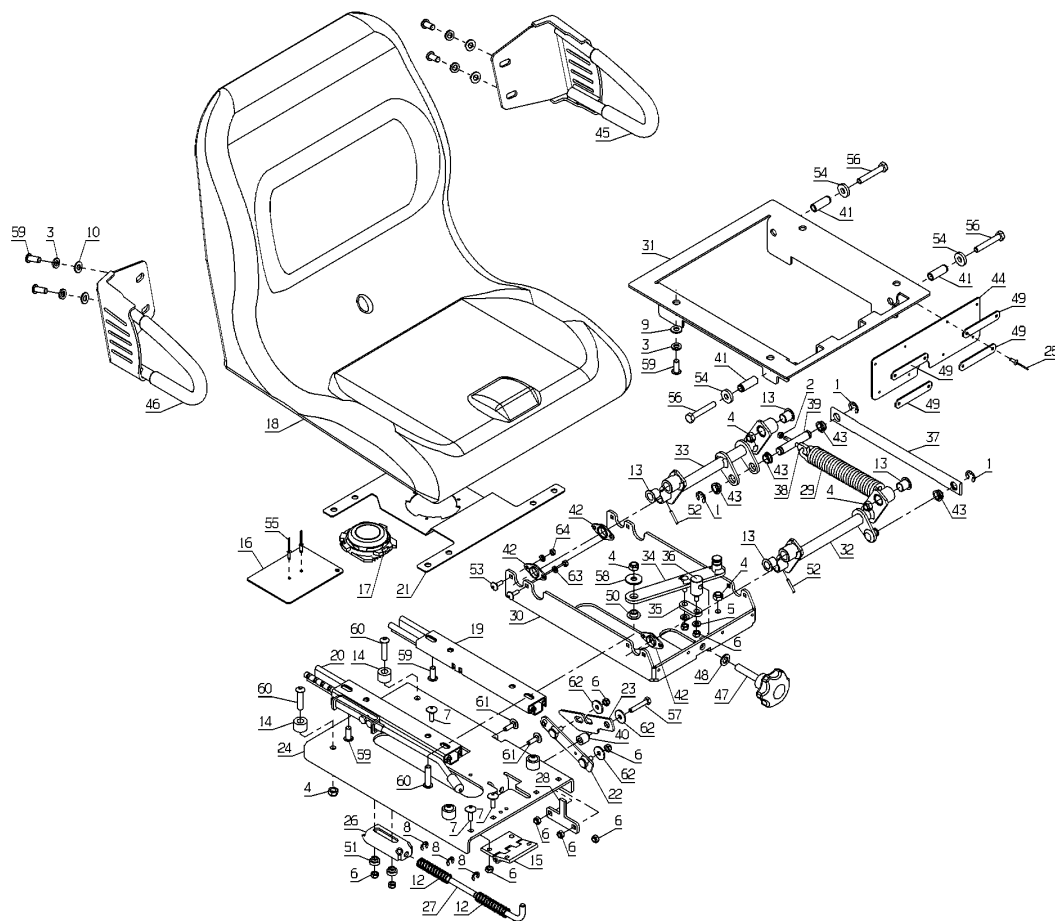


04/2010

Number	Part Number	Name	Quantity
1	1559	RING TRUARC 10	1,000
2	37561	NUT	1,000
3	71343	SPRING WASHER A8	1,000
4	71205	SCREW M8	1,000
5	2235	WASHER A6.4	1,000
6	71201	NUT M6	1,000
7	5496	SCREW 6X20	1,000
8	5602	ANNEAU TRUARC	1,000
9	7335	WASHER	1,000
10	7035	FLAT WASHER	1,000
12	24609	SPRING	1,000
13	28555	SLEEVE 12/14/15	1,000
14	28296	SPACER	1,000
15	30418	COVER HINGE	1,000
16	30689	USER DETECT.PLATE	1,000
17	30690	SEAT SWITCH	1,000
18	30691	SEAT	1,000
19	30714	SEAT GUIDE LEFT	1,000
20	37079	SEAT GUIDE RIGHT	1,000
21	30718	SWITCH PLATE	1,000
22	31329	LOWER ROD	1,000
23	31330	UPPER ROD PLATE	1,000
24	32349	SEAT BRACKET	1,000
25	71114	ALUMINUM NAIL RIVET	1,000
26	35711	LATCH	1,000
27	35712	STALK	1,000
28	36186	STOP	1,000
29	36238	SEAT SPRING	1,000
30	36241	PLATE	1,000
31	36242	PLATE	1,000
32	36243	ARM	1,000
33	36247	ARM	1,000
34	36251	LEVER	1,000
35	36253	STALK	1,000
36	36254	LEVER AXLE	1,000
37	36256	LINKAGE	1,000
38	37264	ADJUST END	1,000
39	36260	SHAFT	1,000
40	36265	SPACER	1,000
41	36268	SHAFT	1,000
42	36269	BEARING	1,000

Number	Part Number	Name	Quantity
43	36270	BEARING	1,000
44	36435	PROTECTION	1,000
45	36867	ARMREST. LEFT	1,000
46	36868	ARMREST. RIGHT	1,000
47	36960	GRIP	1,000
48	37023	WASHER 1018-020	1,000
49	37031	PLATE	1,000
50	42530	CUT.HEIGHT SPACER	1,000
51	43054	WASHER	1,000
52	71088	PIN 3X22	1,000
53	71231	SCREW JM5-16	1,000
54	71126	FLAT WASHER,DIN 734	1,000
55	71139	RIVET ALU TF 4X11	1,000
56	71223	SCREW M8X50	1,000
57	71259	SCREW HM6X35	1,000
58	71274	WASHER B8.4	1,000
59	71373	SCREW M8X20	1,000
60	71438	SCREW B HC M8X35	1,000
61	21608	SCREW 6X16 DIN	1,000
62	21270	WASHER 6,4	1,000
63	71200	SCREW M5	1,000

PL01353



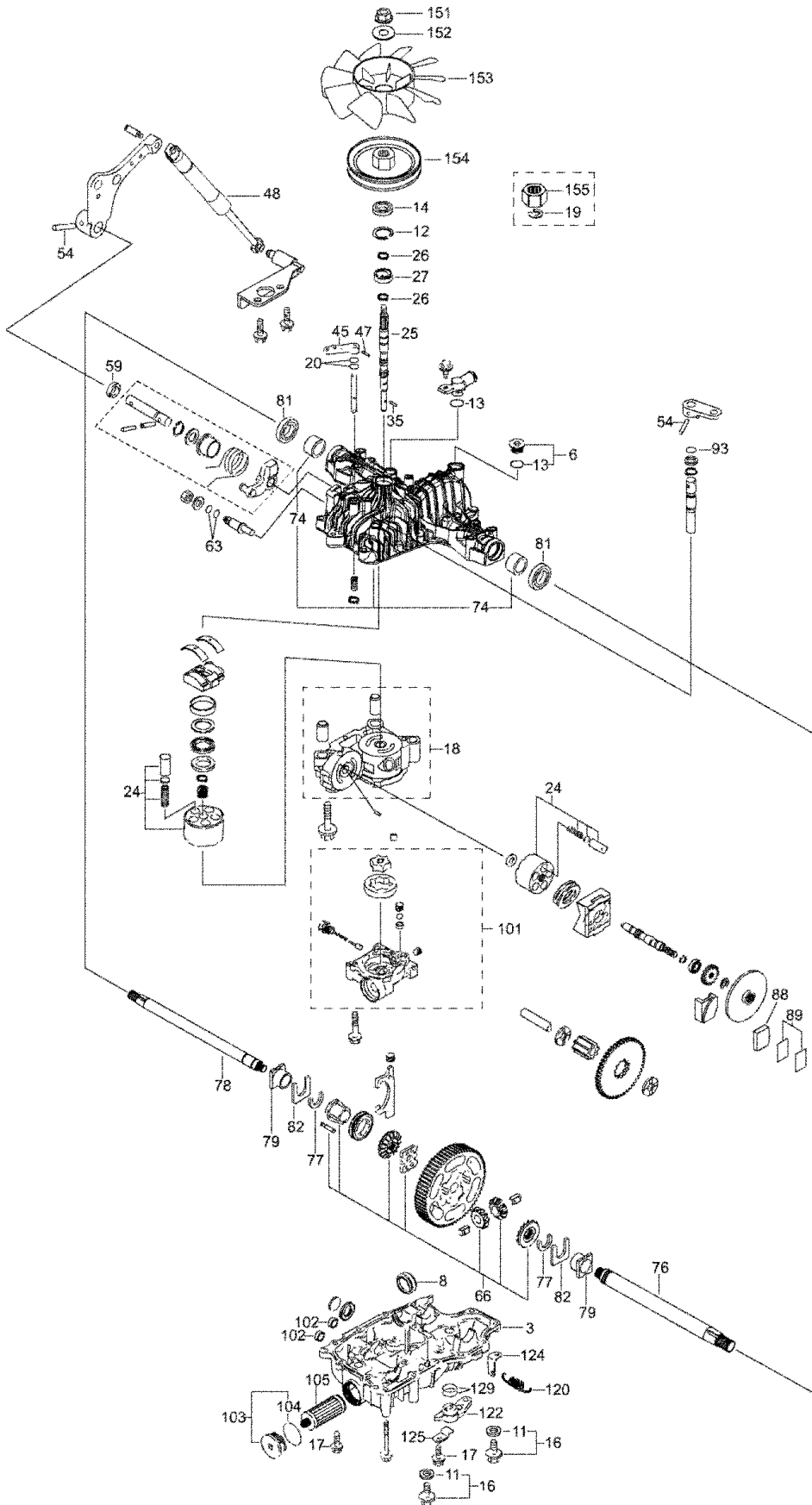
04/2010

Number	Part Number	Name	Quantity
3	28873	LOWER CRANKCASE K66	1,000
6	34400	OIL PLUG K66	1,000
8	34401	FILTER	1,000
11	34402	OIL CHANGE WASHER	1,000
12	71039	CIRCLIP,DIN 427 35X	1,000
13	28196	OIL CAP GASKET	1,000
14	28235	GASKET PUMP SHAFT	1,000
16	34403	OIL CHANGE SCREW	1,000
17	34623	SCREW 8X30	1,000
18	34404	CENTRAL CRANKCASE	1,000
19	28544	CIRCLIP	1,000
20	28625	GASKET	1,000
24	34405	PUMP KIT K66	1,000
25	34406	INPUT SHAFT K66	1,000
26	71202	CIRCL.K55 13,8X1,27	1,000
27	40465	BEARING 6202	1,000
35	34407	PIN 3X13,8	1,000
45	28545	BY-PASS LEVER	1,000
47	34408	PIN 3.0AX20	1,000
48	34409	ABSORBER	1,000
54	28629	PIN	1,000
59	34410	GASKET 162606	1,000
63	28623	O-RING	1,000
66	34411	DIFFERENTIAL KIT	1,000
74	34412	OUTPUT BUSH	1,000
76	34413	OUTPUT SHAFT LEFT	1,000
77	34414	RING 23	1,000
78	34415	OUTPUT SHAFT RIGHT	1,000
79	34416	BUSH K66	1,000
81	34417	GASKET 25.4X42X8	1,000
82	34418	RING K66	1,000
88	34419	BRAKE SHOE K66	1,000
89	34420	BRAKE SHIM	1,000
93	28634	O-RING	1,000
101	34421	PUMP CASE K66	1,000
102	34422	PLUG 20	1,000
103	34423	FILTER PLUG	1,000
104	34424	GASKET 1A2040	1,000
105	37075	OIL FILTER K66	1,000
120	34425	BY-PASS SPRING K66	1,000
122	34622	DIFF.BLO.LEVER	1,000

Number	Part Number	Name	Quantity
124	34621	SPRING HOOK	1,000
125	34620	BLO.LEVER CLIP	1,000
129	34426	GASKET 1AG25	1,000
151	34427	INPUTSHAFT NUT 10	1,000
152	34428	WASHER 11X32X3.2	1,000
153	34429	FLYWHEEL K66	1,000
154	34430	PULLEY K66	1,000
155	34431	SPACER K66	1,000

K66

PL01386

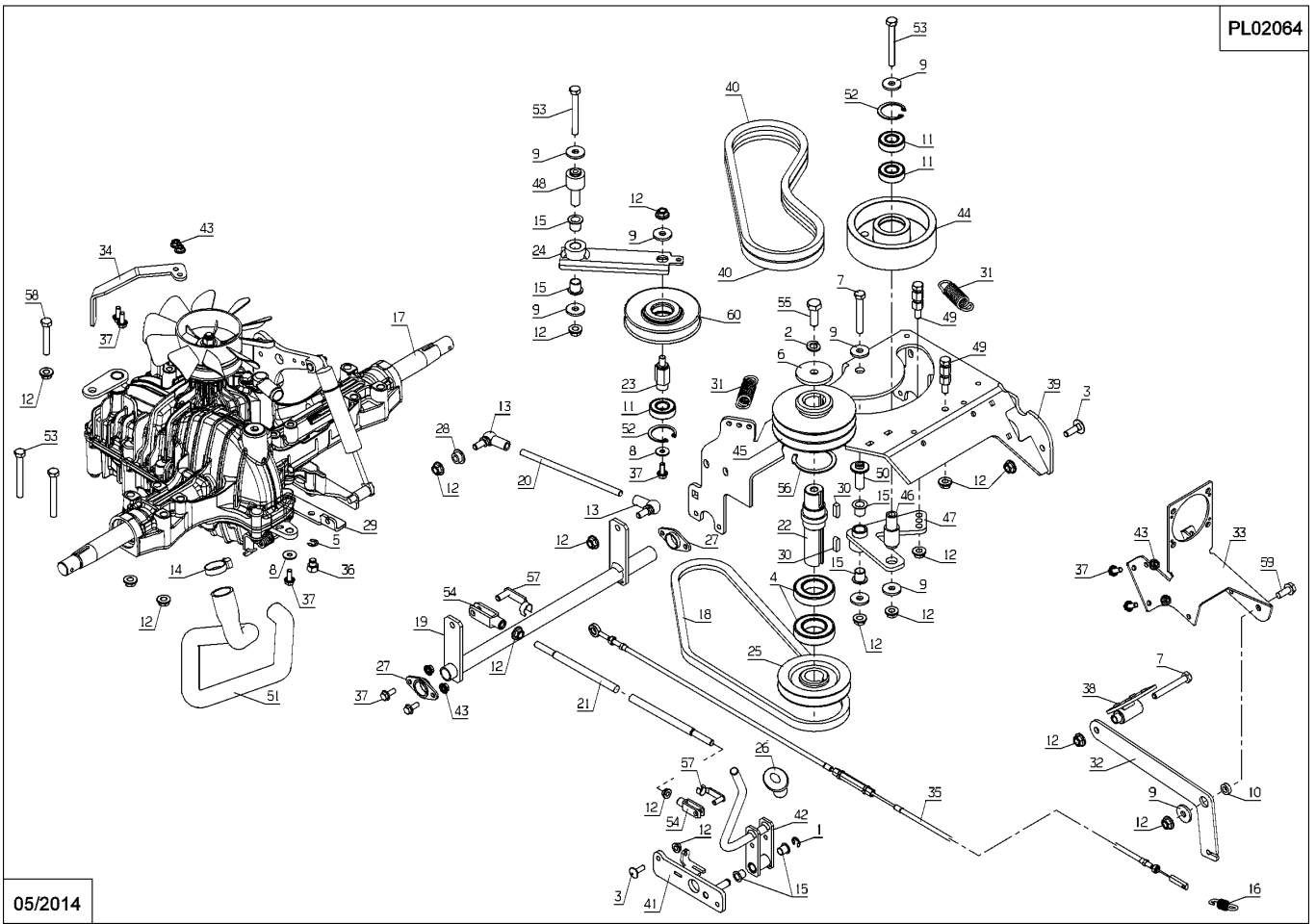


11/2011

Number	Part Number	Name	Quantity
1	1559	RING TRUARC 10	1,000
2	71052	SPRING WASHER,DIN 1	1,000
3	5347	SCREW 8X25	1,000
4	5454	THRUST BEARING 6006	1,000
5	5602	ANNEAU TRUARC	1,000
6	7341	FLAT WASHER 10,3X49	1,000
7	20513	SCREW,DIN 933 H M 8	1,000
8	21270	WASHER 6,4	1,000
9	22065	WASHER 25X8,5X3	1,000
10	24085	SPACER PIVOT	1,000
11	25112	BALL BEARING,6202 S	1,000
12	71205	SCREW M8	1,000
13	28234	KNUCKLE M8	1,000
14	28534	COLLAR 16-27	1,000
15	28555	SLEEVE 12/14/15	1,000
16	29225	BRAKE SPRING	1,000
17	32300	GEARBOX K66	1,000
18	32309	BELT	1,000
19	32317	BRACKET	1,000
20	32455	STALK	1,000
21	32464	STALK	1,000
22	32527	SHAFT	1,000
23	32528	SHAFT	1,000
24	32533	TENSIONNER	1,000
25	32535	PULLEY	1,000
26	35050	GRIP	1,000
27	35329	BEARING	1,000
28	35573	BUSH	1,000
29	35614	BRACKET	1,000
30	35861	KEY 6.35X6.35X20	1,000
31	35863	SPRING	1,000
32	35992	PEDALE	1,000
33	36001	BRACKET	1,000
34	36028	BY PASS STALK	1,000
35	36168	DIFF. CABLE	1,000
36	36519	CABLE HANG	1,000
37	37997	SCREW HM6-16 8,8	1,000
38	38330	PEDAL	1,000
39	39662	PLATE	1,000
40	39810	BELT	1,000
41	39813	BRACKET	1,000

Number	Part Number	Name	Quantity
42	39815	DRIVE PLATE	1,000
43	71201	NUT M6	1,000
44	50832	TENSION ROLLER	1,000
45	50833	PULLEY	1,000
46	50836	TENSIONNER SHAFT	1,000
47	50837	TENSIONNER	1,000
48	50838	TENSIONNER SHAFT	1,000
49	50839	TANK BRACKET	1,000
50	50863	TENSIONNER SHAFT	1,000
51	51397	HOSE	1,000
52	71039	CIRCLIP,DIN 427 35X	1,000
53	71068	HEXAGON SCREW,DIN 9	1,000
54	71077	YOKE DIN 71751 8X32	1,000
55	71110	HEXAGON SCREW,DIN 9	1,000
56	71153	CIRCLIP 55X2	1,000
57	71169	STUD 8X32	1,000
58	71223	SCREW M8X50	1,000
59	71413	SCREW HM 8-20	1,000
60	25509	TENSIONING PULLEY	1,000

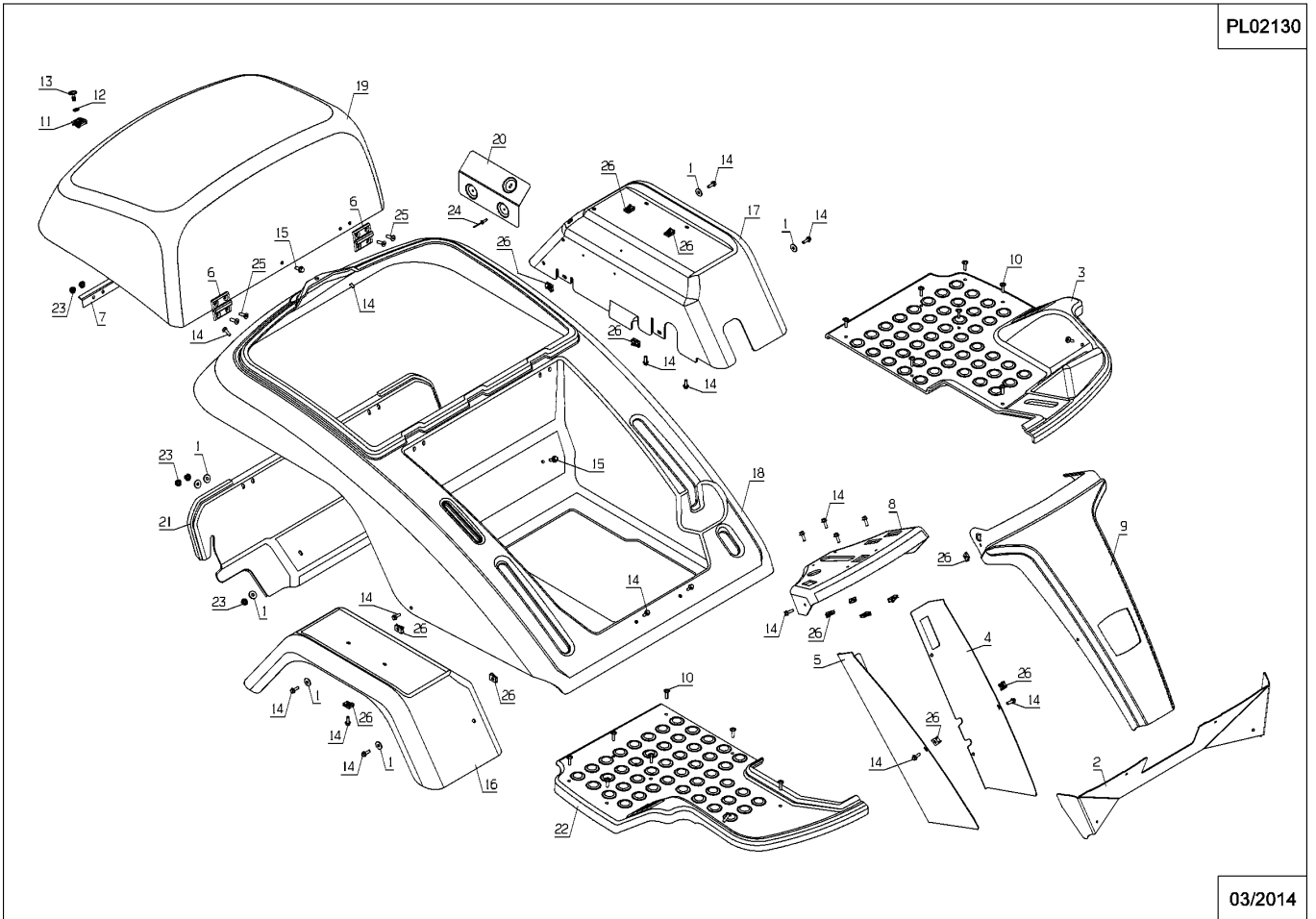
PL02064



05/2014

Number	Part Number	Name	Quantity
1	21270	WASHER 6,4	1,000
2	32434	FRONT COVER	1,000
3	35707	LEFT FOOT REST.	1,000
4	35769	LEFT CONSOLE COVER	1,000
5	35770	RIGHT CONSOLE COVER	1,000
6	36014	HINGE	1,000
7	36159	HINGE LINKAGE	1,000
8	52515	DASHBOARD	1,000
9	36421	STEERG COLUMN COVER	1,000
10	36823	SCREW RL M5-20	1,000
11	37499	1/4 ROTATION LOCK	1,000
12	37500	1/4 ROTATION WASHER	1,000
13	37501	1/4 ROTATION SCREW	1,000
14	37996	SCREW HM5-16 8.8	1,000
15	37997	SCREW HM6-16 8.8	1,000
16	38427	RIGHT MUDGUARD	1,000
17	38428	LEFT MUDGUARD	1,000
18	38429	CENTRAL COVER	1,000
19	38430	ENGINE COVER CPLT	1,000
20	38554	HOT PROTECTION	1,000
21	38641	DUST COVER	1,000
22	50204	FOOTBOARD	1,000
23	71201	NUT M6	1,000
24	71113	NAIL RIVET, DIA. 4X	1,000
25	71381	SCREW FHC/90 M6-20	1,000
26	71403	NUT	1,000

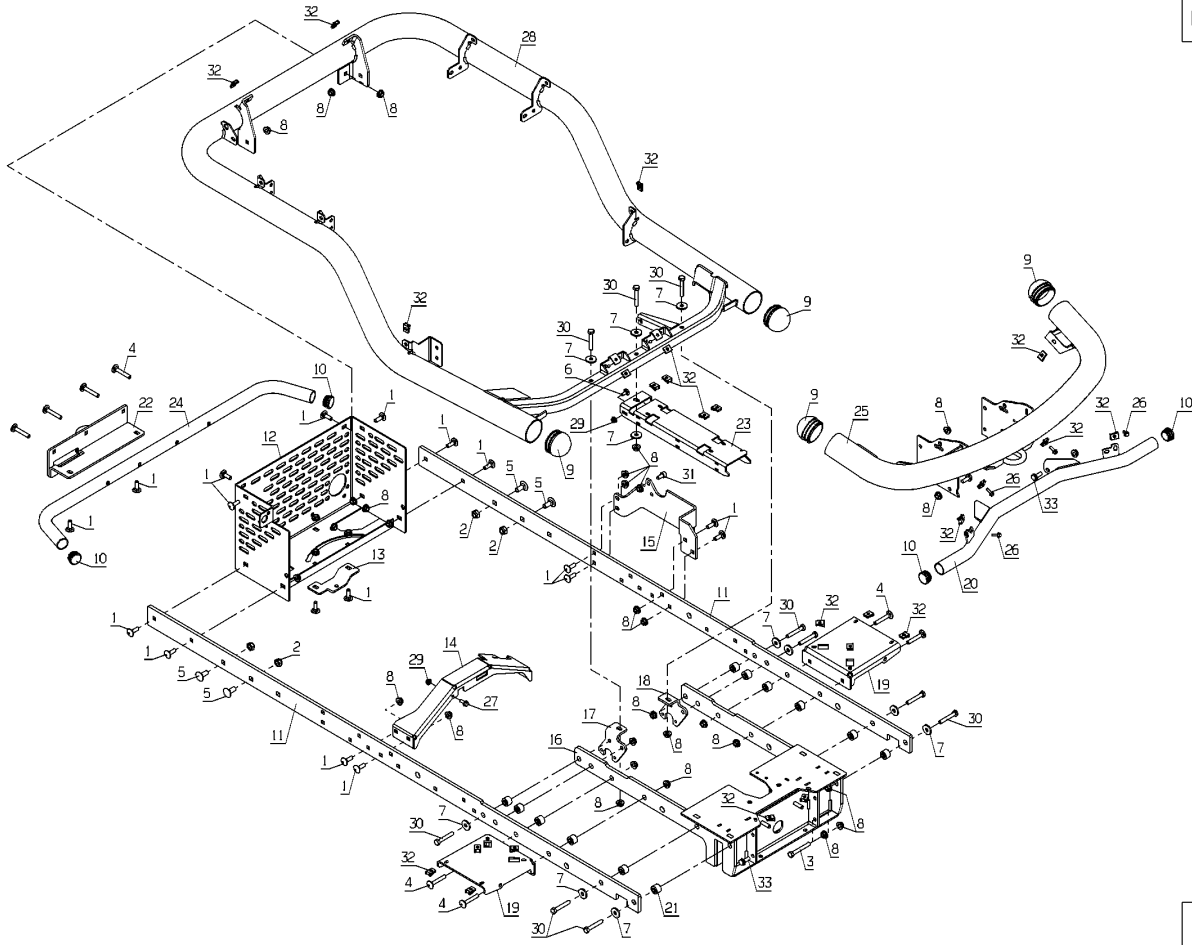
PL02130



03/2014

Number	Part Number	Name	Quantity
1	5347	SCREW 8X25	1,000
2	9017	NUT HM10	1,000
3	20513	SCREW,DIN 933 H M 8	1,000
4	21513	BOLT M8X50	1,000
5	21559	SCREW JM 10-25	1,000
6	21608	SCREW 6X16 DIN	1,000
7	22065	WASHER 25X8,5X3	1,000
8	71205	SCREW M8	1,000
9	28056	TUBE CAP 60	1,000
10	29647	CAP DIA.30	1,000
11	32358	GIRDER	1,000
12	32360	REAR REINFORCEMENT	1,000
13	32379	REINFORCEMENT	1,000
14	32511	CROSSPIECE BRACKET	1,000
15	32547	BRACKET	1,000
16	35326	FRAME	1,000
17	35342	BRACKET	1,000
18	35343	BRACKET	1,000
19	35607	BRACKET	1,000
20	35697	DASHPOT	1,000
21	35973	SPACER	1,000
22	35989	TOWING BAR	1,000
23	36077	BRACKET	1,000
24	36352	REAR TUBE	1,000
25	36427	FRONT FRAME GREEN	1,000
26	37996	SCREW HM5-16 8.8	1,000
27	37997	SCREW HM6-16 8.8	1,000
28	38593	FRAME	1,000
29	71201	NUT M6	1,000
30	71223	SCREW M8X50	1,000
31	71372	IN.HEX.SCREW M8X16	1,000
32	71403	NUT	1,000
33	71413	SCREW HM 8-20	1,000

PL02131

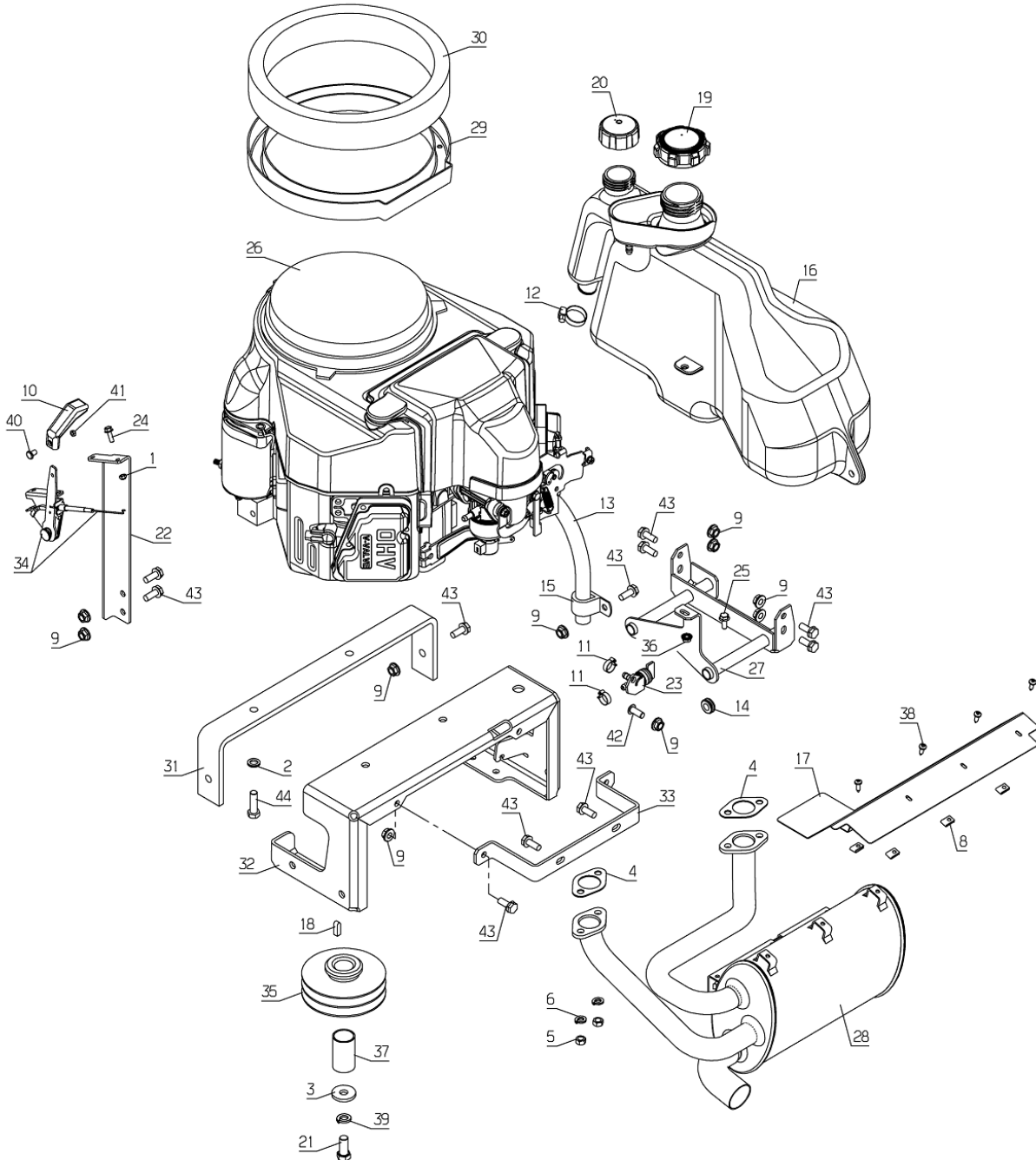


04/2014

Number	Part Number	Name	Quantity
1	37561	NUT	1,000
2	37665	WASHER	1,000
3	9009	WASHER	1,000
4	15261	MUFFLER GASKET	1,000
5	15849	HEX NUT	1,000
6	15848	SPRING WASHER	1,000
8	21436	CLIPS NUT	1,000
9	71205	SCREW M8	1,000
10	28177	GAS GRIP	1,000
11	28323	HOSE HAND CLIP	1,000
12	28534	COLLAR 16-27	1,000
13	28703	HOSE HG 710	1,000
14	29549	RUBBER GROMMET 14	1,000
15	30165	CLAMP DIA.20	1,000
16	32390	TANK	1,000
17	35451	HOT PROTECTION	1,000
18	35861	KEY 6.35X6.35X20	1,000
19	35904	PLUG	1,000
20	36382	PLUG 175	1,000
21	36477	SCREW 7/16"-1"	1,000
22	36539	BRACKET	1,000
23	37123	FUEL STOP VALVE	1,000
24	37996	SCREW HM5-16 8.8	1,000
25	37997	SCREW HM6-16 8.8	1,000
26	38403	ENGINE KAWA FS481V	1,000
27	38432	38432	1,000
28	38441	MUFFLER FS	1,000
29	38447	BRACKET	1,000
30	39730	BELLOW FOAM	1,000
31	39826	FRONT ENG. BRACKET	1,000
32	39827	REAR ENGINE BRACKET	1,000
33	39833	MUFFLER BRACKET	1,000
34	50185	THROTTLE CABLE	1,000
35	50833	PULLEY	1,000
36	50864	ENGINE KAWA FS 541	1,000
37	50879	SPACER	1,000
38	71111	TAPPING SCREW,DIN 7	1,000
39	71159	WASHER 7/16"	1,000
40	71224	GAS GRIP SCREW 8-32	1,000
41	71225	GAS GRIP NUT 8-32"	1,000
42	71373	SCREW M8X20	1,000

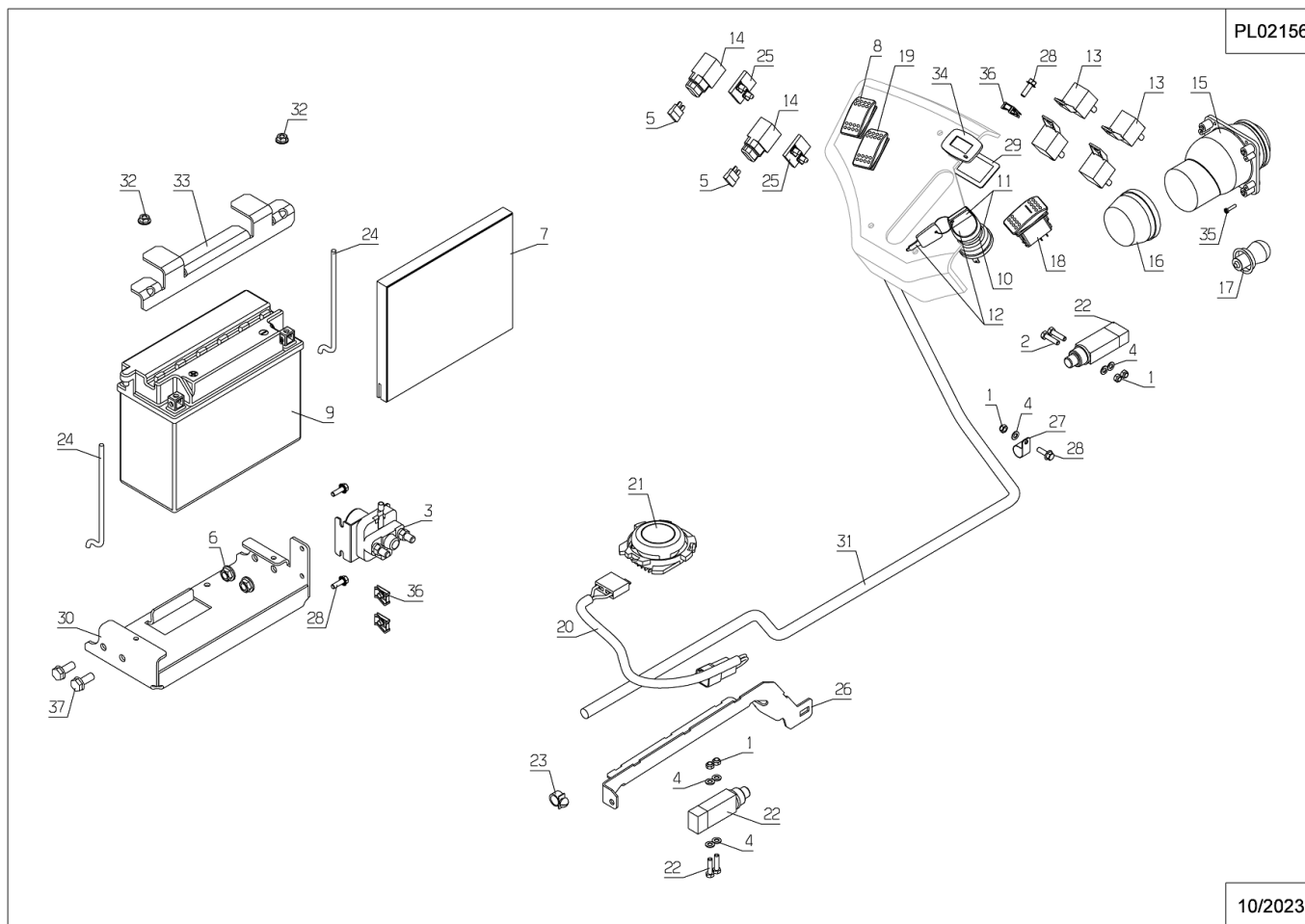
Number	Part Number	Name	Quantity
43	71413	SCREW HM 8-20	1,000
44	71454	SCRW.HUNC 3/8"1"1/4	1,000

PL02155



10/2023

Number	Part Number	Name	Quantity
1	37561	NUT	1,000
2	5071	BOLT HM 5X20	1,000
3	16604	RELAY STARTER KIT	1,000
4	20564	WASHER 5,5	1,000
5	25824	FUSE 20A 12V	1,000
6	71205	SCREW M8	1,000
7	28015	BATTERY HEAT PROTEC	1,000
8	52494	SWITCH	1,000
9	52101	BATTERY	1,000
10	28382	KEY CONTACT. EMBEL.	1,000
11	28384	KEY CONTACTOR	1,000
12	28388	SET OF 2 KEY	1,000
13	28392	WATERPROOF RELAY	1,000
14	28582	PLUG FUSE HOLDER	1,000
15	28689	LIGHT	1,000
16	28743	REAR CAP	1,000
17	28744	BULB	1,000
18	52497	SWITCH ON/OFF LIGHT	1,000
19	52495	SWITCH ON/OFF/ON	1,000
20	30688	SEAT WIRING	1,000
21	30690	SEAT SWITCH	1,000
22	31405	SWITCH	1,000
23	32219	KLAMP 12X2	1,000
24	35811	STALK	1,000
25	36239	BRACKET	1,000
26	36761	FUNNEL	1,000
27	37184	COLLAR DIA.14	1,000
28	37996	SCREW HM5-16 8.8	1,000
29	38459	TACHO.ANTIPARASITIC	1,000
30	38595	BATTERY BRACKET	1,000
31	39830	ELECTRICAL WIRING	1,000
32	71201	NUT M6	1,000
33	35675	BATTERY ANGLE BRACK	1,000
34	51640	HOUR COUNTER	1,000
35	71197	SCREW CBH2.9-13ST,C	1,000
36	71403	NUT	1,000
37	71413	SCREW HM 8-20	1,000

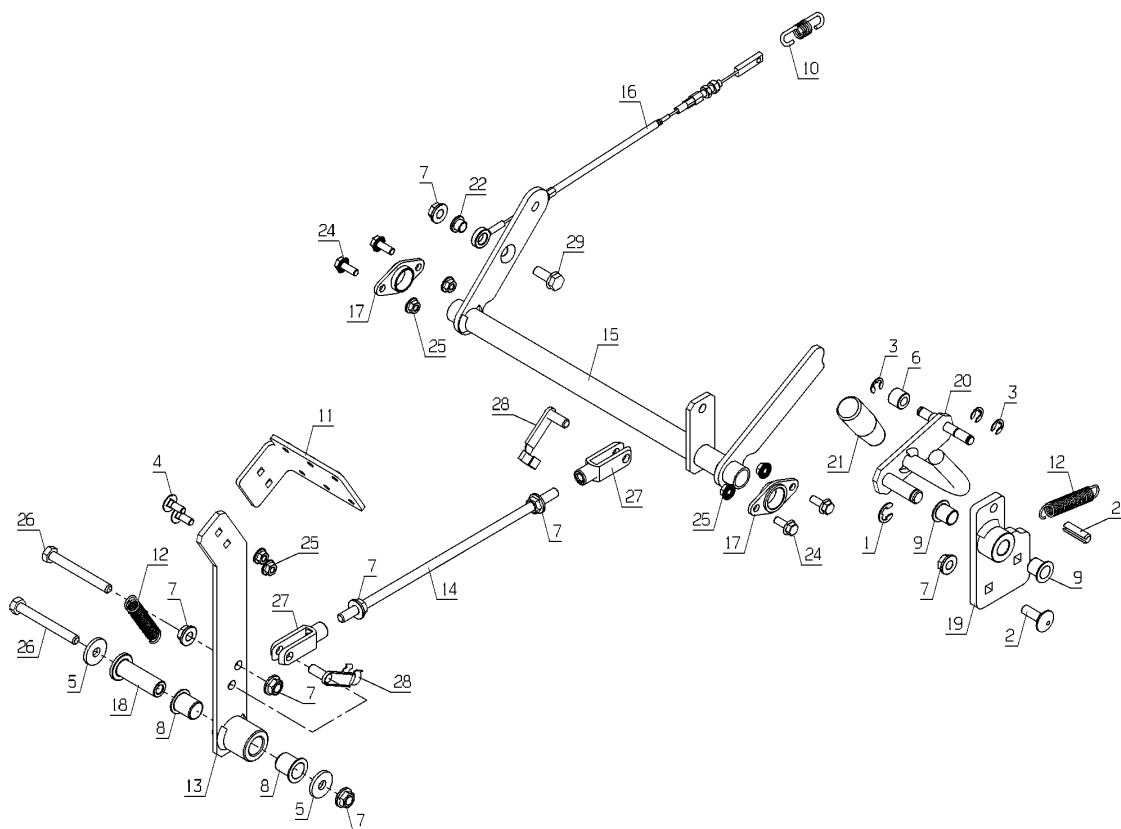


PL02156

10/2023

Number	Part Number	Name	Quantity
1	1559	RING TRUARC 10	1,000
2	5347	SCREW 8X25	1,000
3	5602	ANNEAU TRUARC	1,000
4	21608	SCREW 6X16 DIN	1,000
5	22065	WASHER 25X8,5X3	1,000
6	36107	ROLLER	1,000
7	71205	SCREW M8	1,000
8	28070	SLEEVE 15/17/20	1,000
9	28555	SLEEVE 12/14/15	1,000
10	29225	BRAKE SPRING	1,000
11	29862	BRAKE PEDAL	1,000
12	31368	SPRING	1,000
13	32446	BRAKE CONNECT. LOD	1,000
14	32448	STALK	1,000
15	32449	BRAKE STEERING AXLE	1,000
16	35282	BRAKE CABLE	1,000
17	35329	BEARING	1,000
18	35418	SHAFT	1,000
19	36050	BRACKET	1,000
20	36059	LEVEL	1,000
21	36211	LEVER CAP	1,000
22	36396	SPACER	1,000
23	37628	SPLIT 8X28	1,000
24	37997	SCREW HM6-16 8.8	1,000
25	71201	NUT M6	1,000
26	71068	HEXAGON SCREW,DIN 9	1,000
27	71077	YOKE DIN 71751 8X32	1,000
28	71169	STUD 8X32	1,000
29	71413	SCREW HM 8-20	1,000

PL02157

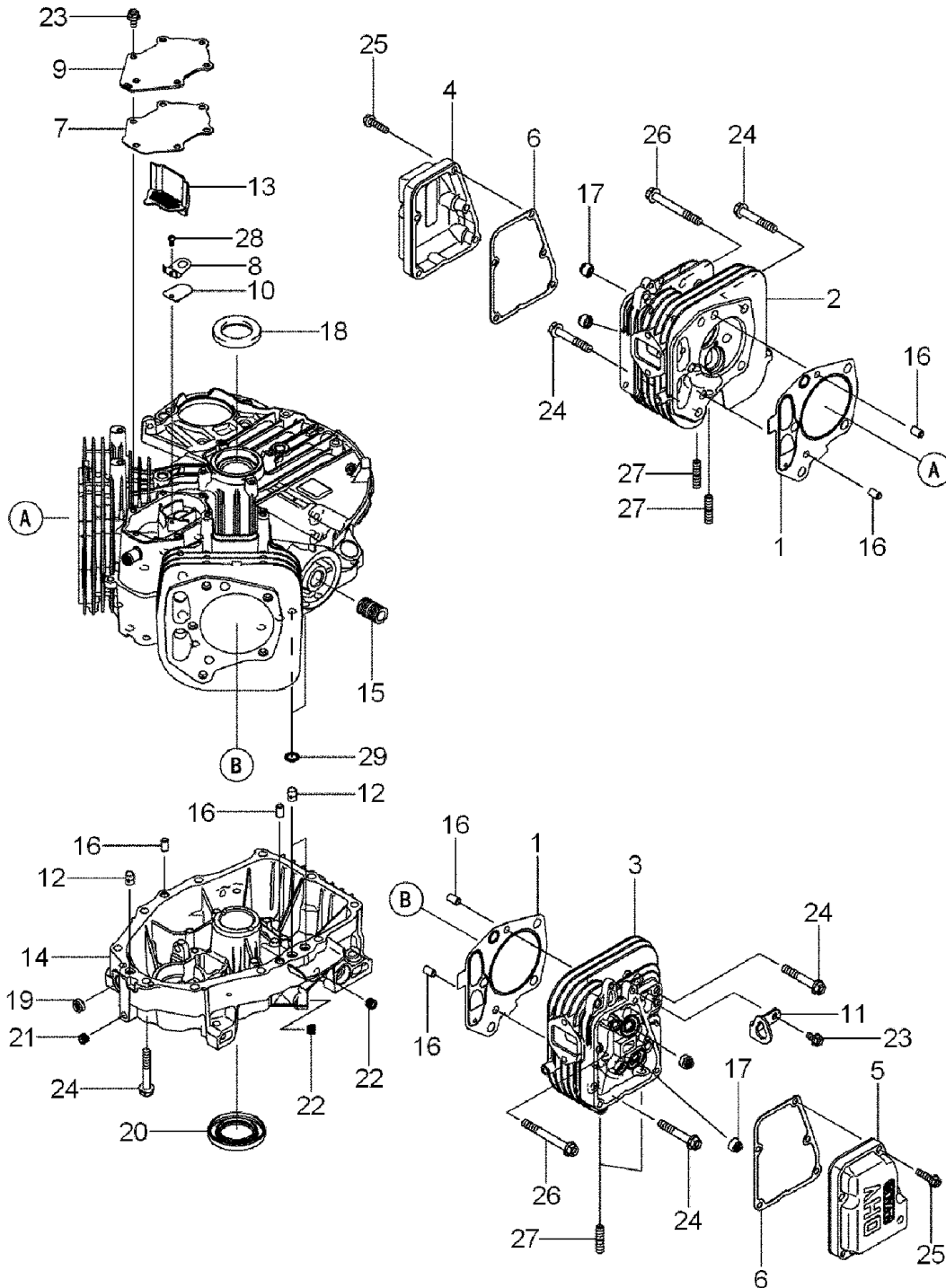


06/2014

Number	Part Number	Name	Quantity
1	15252	CYLIND.HEAD GASKET	1,000
2	15253	CYLINDER HEAD 1	1,000
3	15254	CYLINDER HEAD 2	1,000
4	15256	CYLIND.HEAD COVER 1	1,000
5	15257	CYLIND.HEAD COVER 2	1,000
6	15262	CYL.HEAD COV.GASKET	1,000
7	15264	GASKET	1,000
8	15285	PLATE	1,000
9	15289	COVER	1,000
10	15294	BREATHER	1,000
11	15336	HOOK	1,000
12	15361	CHANNEL	1,000
13	15362	AIR CHANNEL	1,000
14	15379	LOWER CRANKCASE	1,000
15	15398	GASKET	1,000
16	15623	CENTRING STUD	1,000
17	18228	OIL SEAL 6X11X10,2	1,000
18	18230	OIL SEAL 35X48X8	1,000
19	15429	GASKET 8X14X5	1,000
20	15430	GASKET 38X62X8	1,000
21	15470	PLUG	1,000
22	15471	PLUG	1,000
23	18332	VIS	1,000
24	18355	VIS	1,000
25	15277	SCREW 6X25	1,000
26	15279	SCREW 8X70	1,000
27	18180	STUD	1,000
28	18188	SCREW	1,000
29	15414	O-RING	1,000

KAWASAKI FS481V / FS541V

PL01982

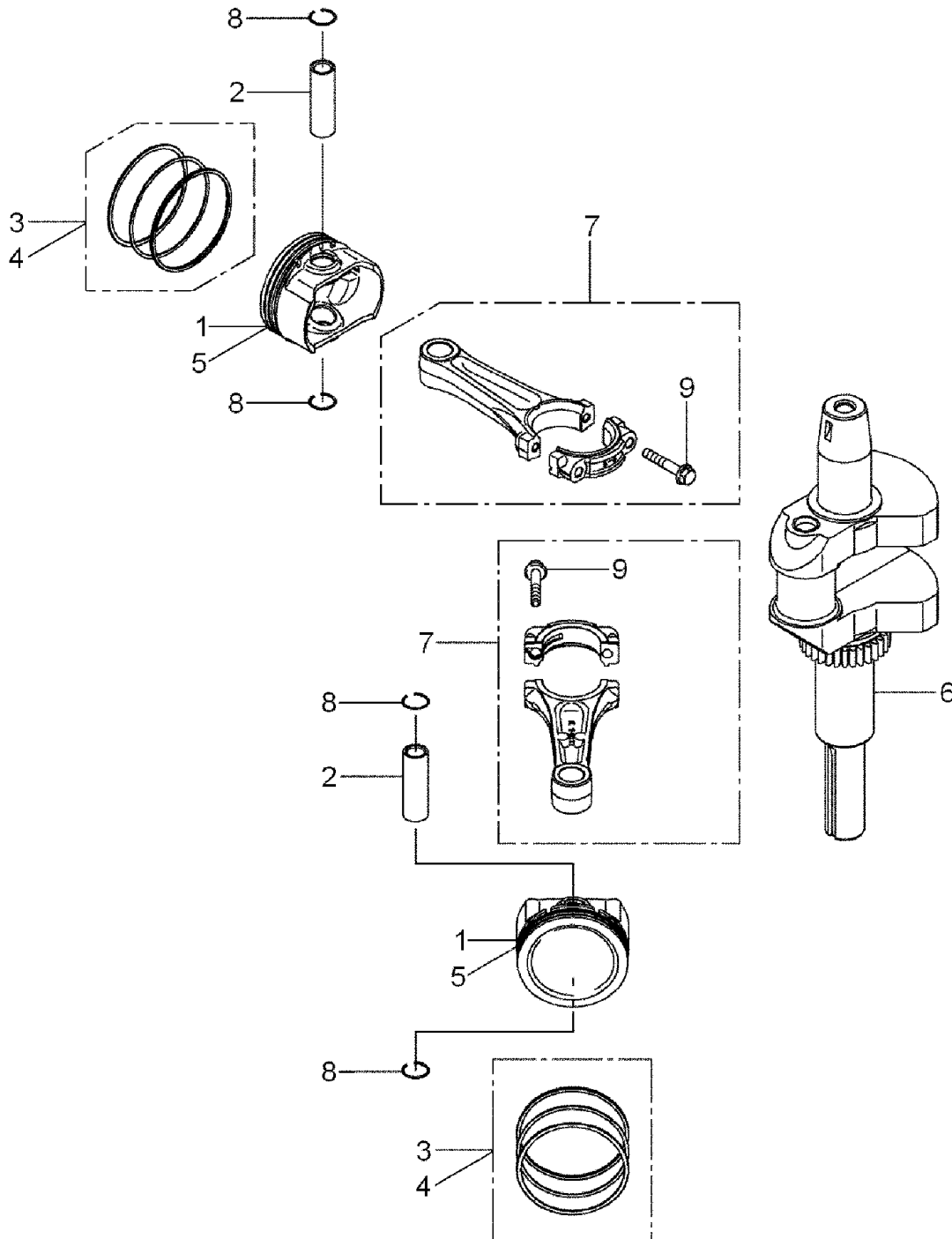


01/2015

Number	Part Number	Name	Quantity
1	15270	PISTON	1,000
2	18140	PISTON PIN	1,000
3	15271	RING SET	1,000
4	15272	RING SET 0,5	1,000
5	15273	PISTON 0,5	1,000
6	15274	CRANKSHAFT	1,000
7	15283	CONNECT.ROD ASSY	1,000
8	18225	RING SNAP	1,000
9	18331	VIS	1,000

KAWASAKI FS481V / FS541V

PL01983

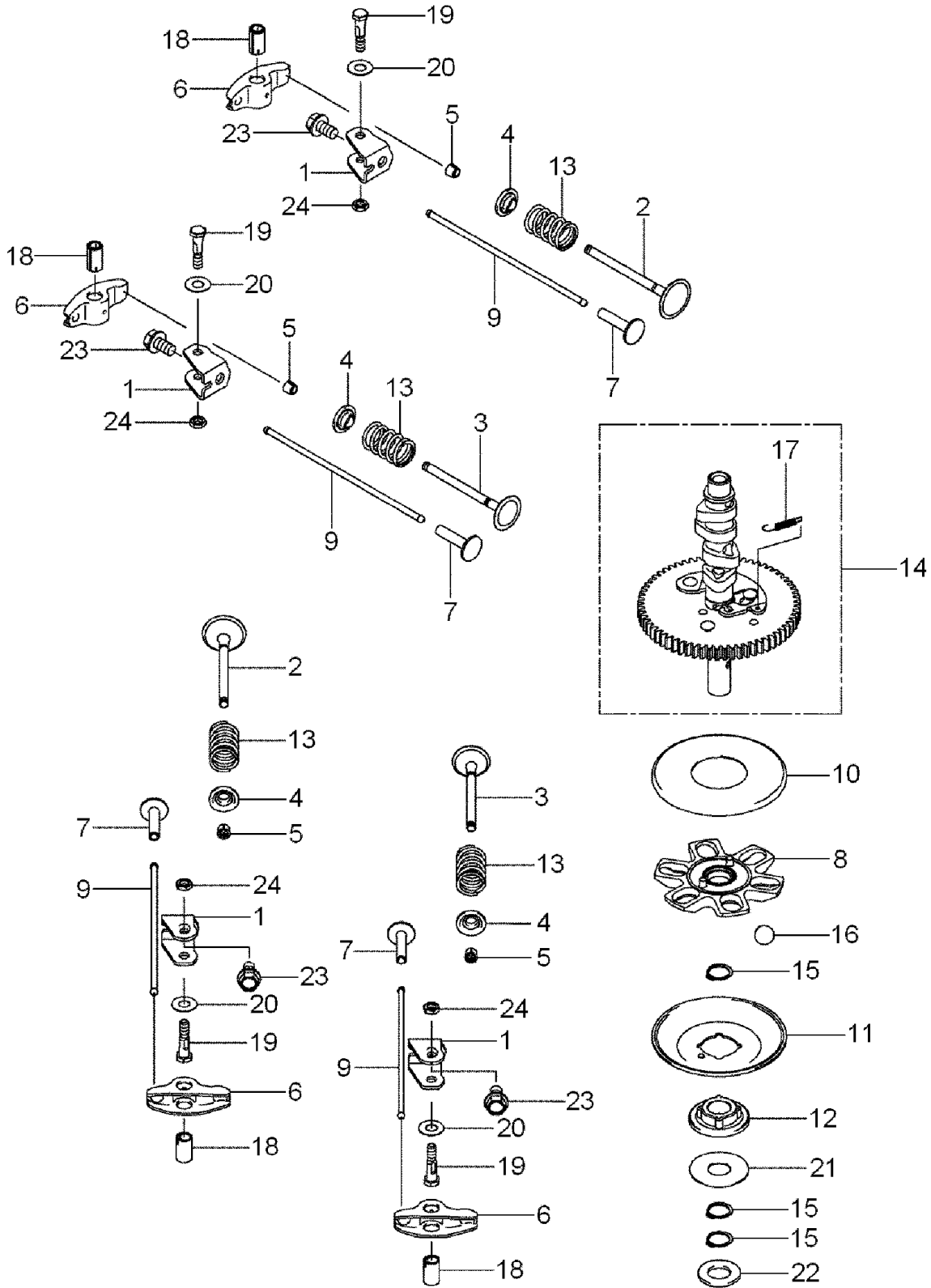


01/2015

Number	Part Number	Name	Quantity
1	15258	BRACKET	1,000
2	15267	INTAKE VALVE	1,000
3	15268	EXHAUST VALVE	1,000
4	18135	WASHER	1,000
5	18136	PELLET	1,000
6	15269	ROCKER ARM	1,000
7	18138	LIFTER ARM	1,000
8	15275	GUIDE	1,000
9	15282	PUSH ROD	1,000
10	18159	PLATE	1,000
11	18162	PLATE GOVERNOR	1,000
12	15365	BUSH	1,000
13	15381	SPRING	1,000
14	15392	CAMSHAFT	1,000
15	18224	SNAP RING	1,000
16	18239	STEEL BALL	1,000
17	18241	SPRING	1,000
18	15500	BUSH	1,000
19	15501	SCREW 6X29,5	1,000
20	15516	WASHER 8,1X18X0,5	1,000
21	15517	WASHER 16X42X0,91	1,000
22	15520	WASHER	1,000
23	15278	SCREW 8X14	1,000
24	15354	NUT 6MM	1,000

KAWASAKI FS481V / FS541V

PL01984

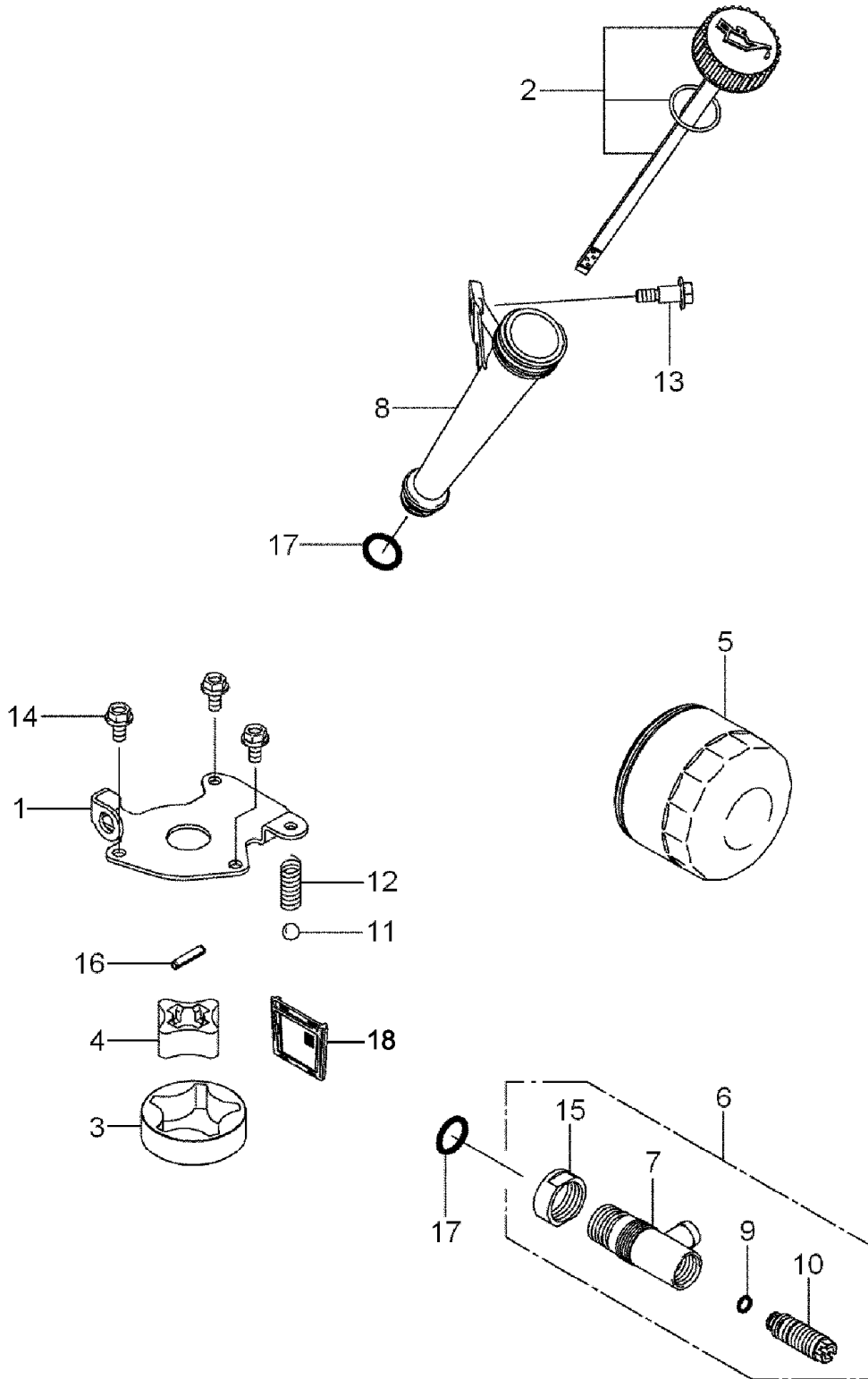


01/2015

Number	Part Number	Name	Quantity
1	15286	PUMP COVER	1,000
2	15288	OIL GAUCHE	1,000
3	15295	PUMP BODY	1,000
4	15296	PUMP	1,000
5	18363	OIL FILTER	1,000
6	36026	COCK	1,000
7	18317	CORPS ROBINET	1,000
8	15413	FILLING TUBE	1,000
9	18327	JOINT	1,000
10	18328	BOUCHON DE VIDANGE	1,000
11	18240	STEEL BALL	1,000
12	18242	SPRING	1,000
13	18250	SCREW	1,000
14	18332	VIS	1,000
15	18340	ECROU	1,000
16	15394	PIN 4X20	1,000
17	15686	O-RING	1,000
18	15532	FILTER	1,000

KAWASAKI FS481V / FS541V

PL01985

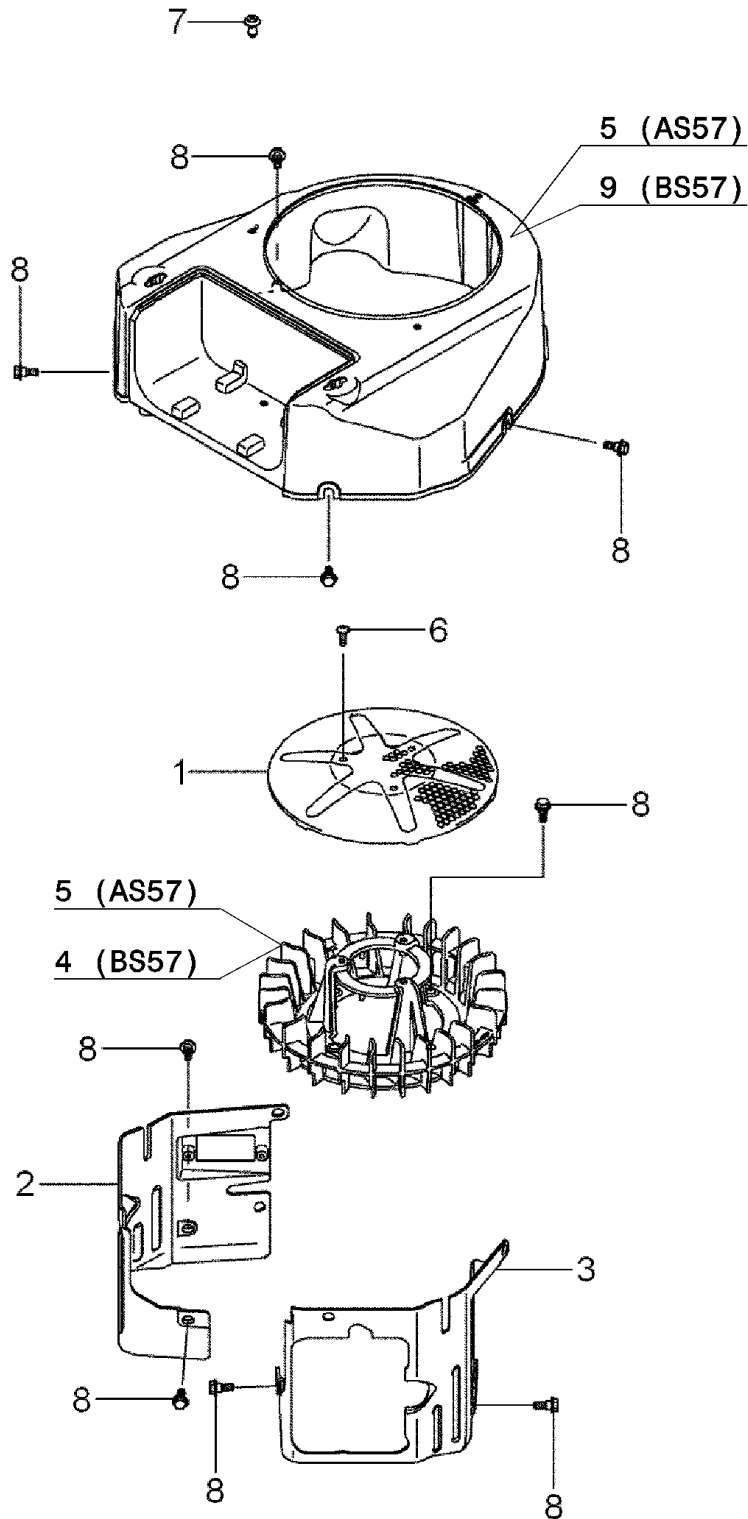


01/2015

Number	Part Number	Name	Quantity
1	15287	GRID	1,000
2	15385	COVERING	1,000
3	15389	COVERING	1,000
4	15396	FAN	1,000
5	15522	ENGINE COVER KIT	1,000
6	15421	SCREW	1,000
7	15428	RIVET	1,000
8	18249	SCREW	1,000
9	15523	ENGINE COVER	1,000

KAWASAKI
FS481V

PL01986

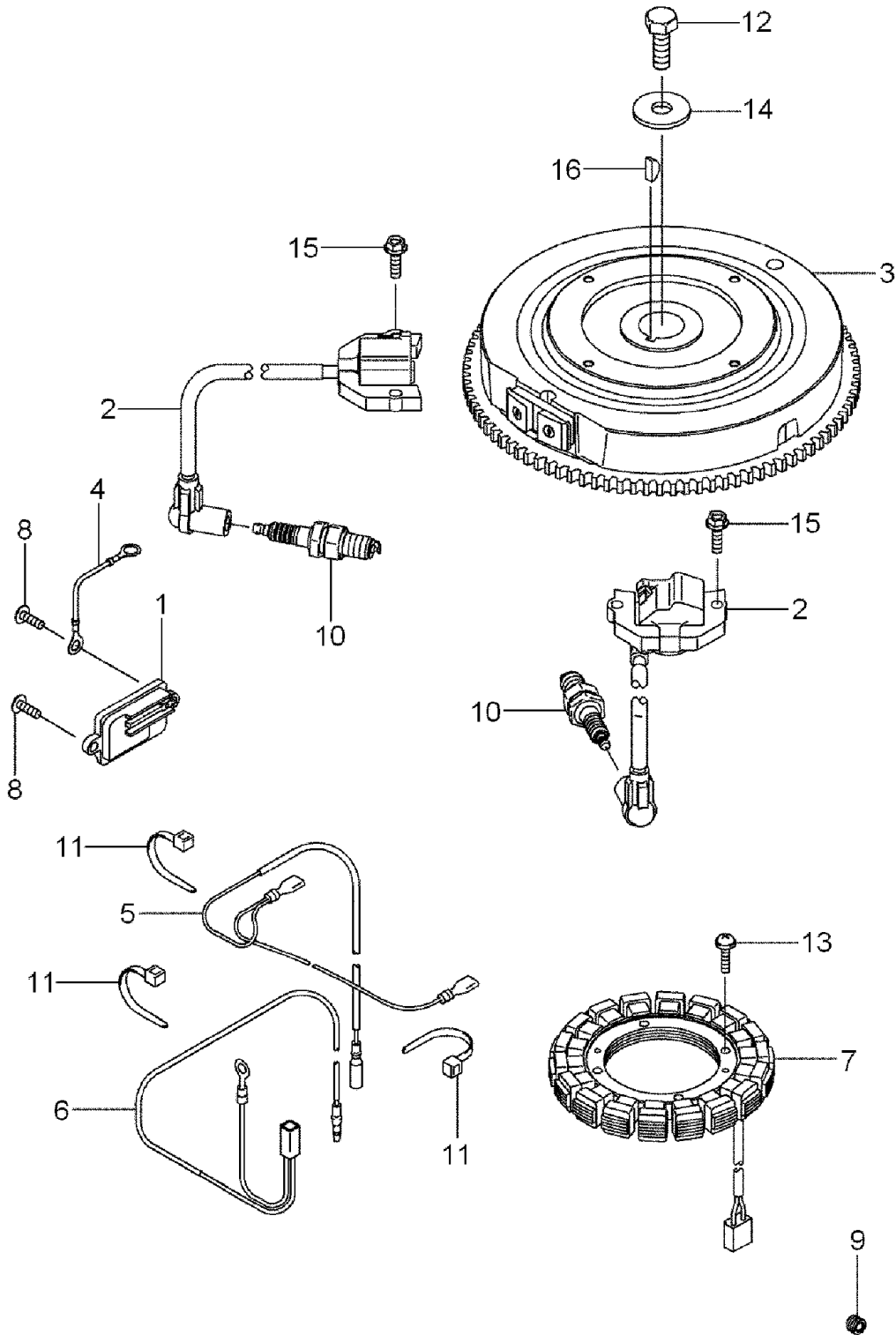


01/2015

Number	Part Number	Name	Quantity
1	15299	REGULATOR	1,000
2	15329	COIL	1,000
3	15330	FLYWHEEL	1,000
4	15333	CABLE	1,000
5	15334	WIRING	1,000
6	15335	WIRING	1,000
7	15395	ALTERNATOR	1,000
8	15421	SCREW	1,000
9	15471	PLUG	1,000
10	18364	SPARK PLUG FS481V	1,000
11	18329	COLLIER	1,000
12	15502	SCREW 12X30	1,000
13	18333	VIS	1,000
14	18260	WASHER	1,000
15	15276	SCREW 6X20	1,000
16	18209	KEY	1,000

KAWASAKI FS481V / FS541V

PL01987

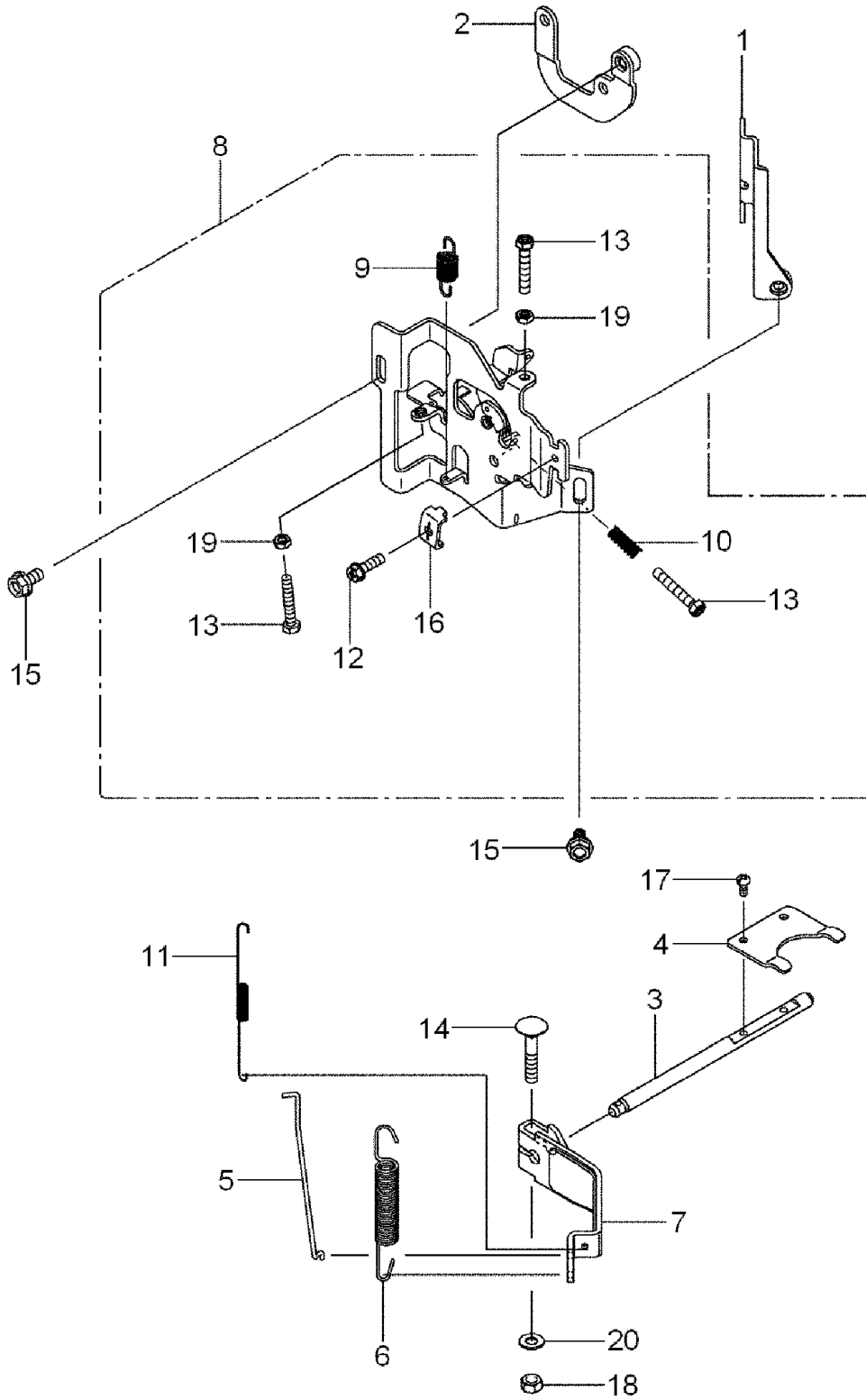


01/2015

Number	Part Number	Name	Quantity
1	15259	BRACKET	1,000
2	15260	BRACKET	1,000
3	15281	SHAFT	1,000
4	15284	SHEET PLATE	1,000
5	15297	ROD	1,000
6	15363	SPRING	1,000
7	15390	LEVER	1,000
8	15391	CONTROL PANEL	1,000
9	15494	SPRING	1,000
10	18245	SPRING	1,000
11	15498	SPRING	1,000
12	15753	SCREW	1,000
13	15499	SCREW 5X30	1,000
14	18248	SCREW	1,000
15	18332	VIS	1,000
16	18254	GUARD	1,000
17	18188	SCREW	1,000
18	18193	NUT	1,000
19	15351	NUT 5MM	1,000
20	15340	FLAT WASHER	1,000

KAWASAKI
FS481V

PL01988

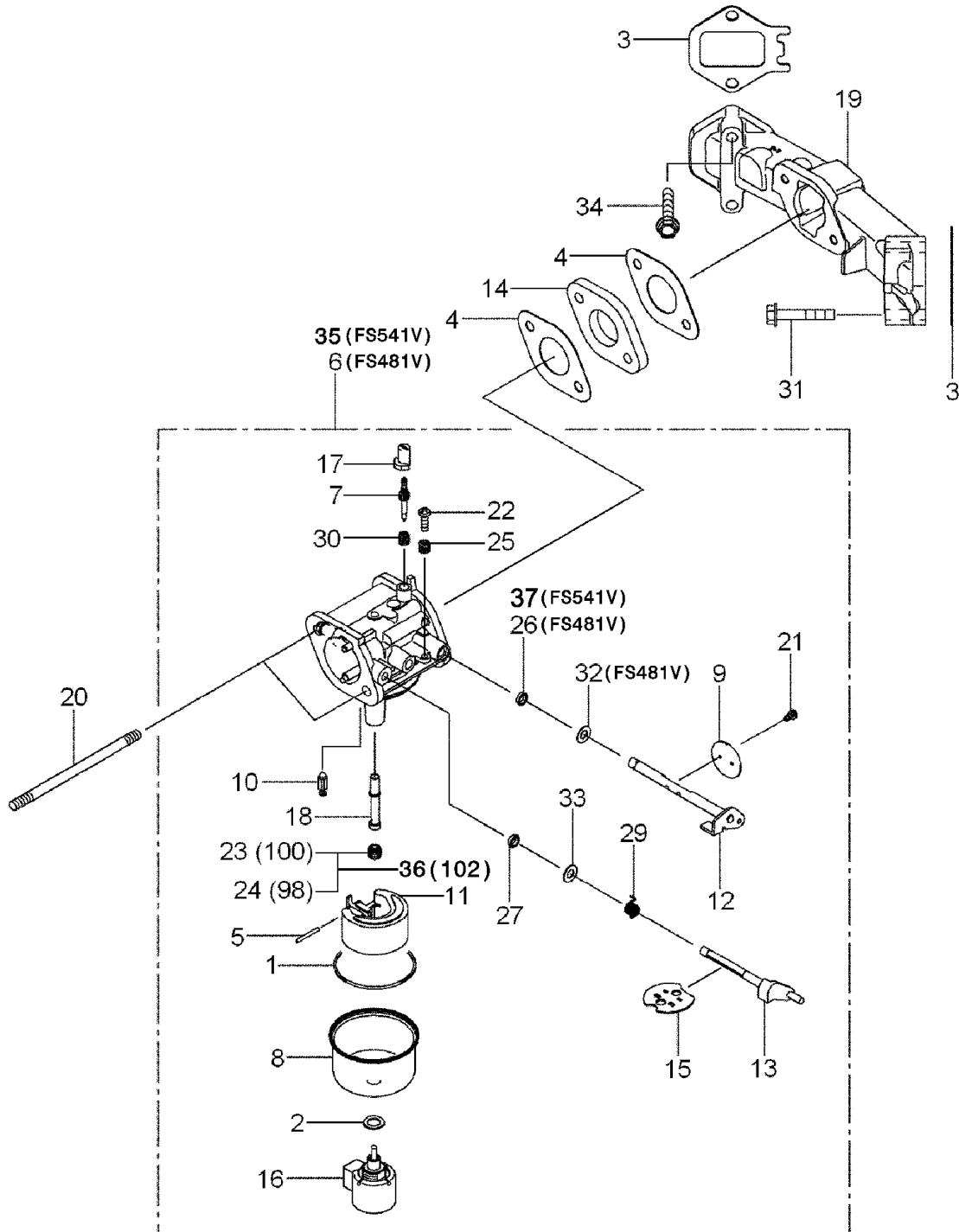


10/2012

Number	Part Number	Name	Quantity
1	18130	GASKET	1,000
2	18131	GASKET	1,000
3	15263	GASKET	1,000
4	15266	GASKET	1,000
5	18154	FLOAT AXLE	1,000
6	15290	CARBURETOR	1,000
7	15291	ADJUSTING SCREW	1,000
8	18169	FLOAT CHAMBER	1,000
9	18170	GASKLAPPE	1,000
10	18171	VALVE FLOAT	1,000
11	18172	FLOAT	1,000
12	18174	ACC.THROTTLE SHAFT	1,000
13	15292	THROTTLE SHAFT	1,000
14	18288	INSULATEUR	1,000
15	15298	VALVE CHOKE	1,000
16	18295	SOLENOIDE	1,000
17	18195	RING	1,000
18	15393	CHOKE TUBE	1,000
19	15399	INTAKE MANIFOLD	1,000
20	15420	ROD 6X98	1,000
21	18219	SCREW	1,000
22	18220	SCREW	1,000
23	18350	GICLEUR 100	1,000
24	18351	GICLEUR 98	1,000
25	18006	SPRING	1,000
26	15490	GASKET	1,000
27	15493	GASKET	1,000
29	15497	SPRING	1,000
30	18246	SPRING	1,000
31	15503	SCREW 6X37	1,000
32	15515	WASHER	1,000
33	18008	GASKET	1,000
34	18343	VIS	1,000
35	15524	CARBURATOR	1,000
36	15526	JET 102	1,000
37	18001	DICHTUNG	1,000

KAWASAKI FS481V / FS541V

PL01989

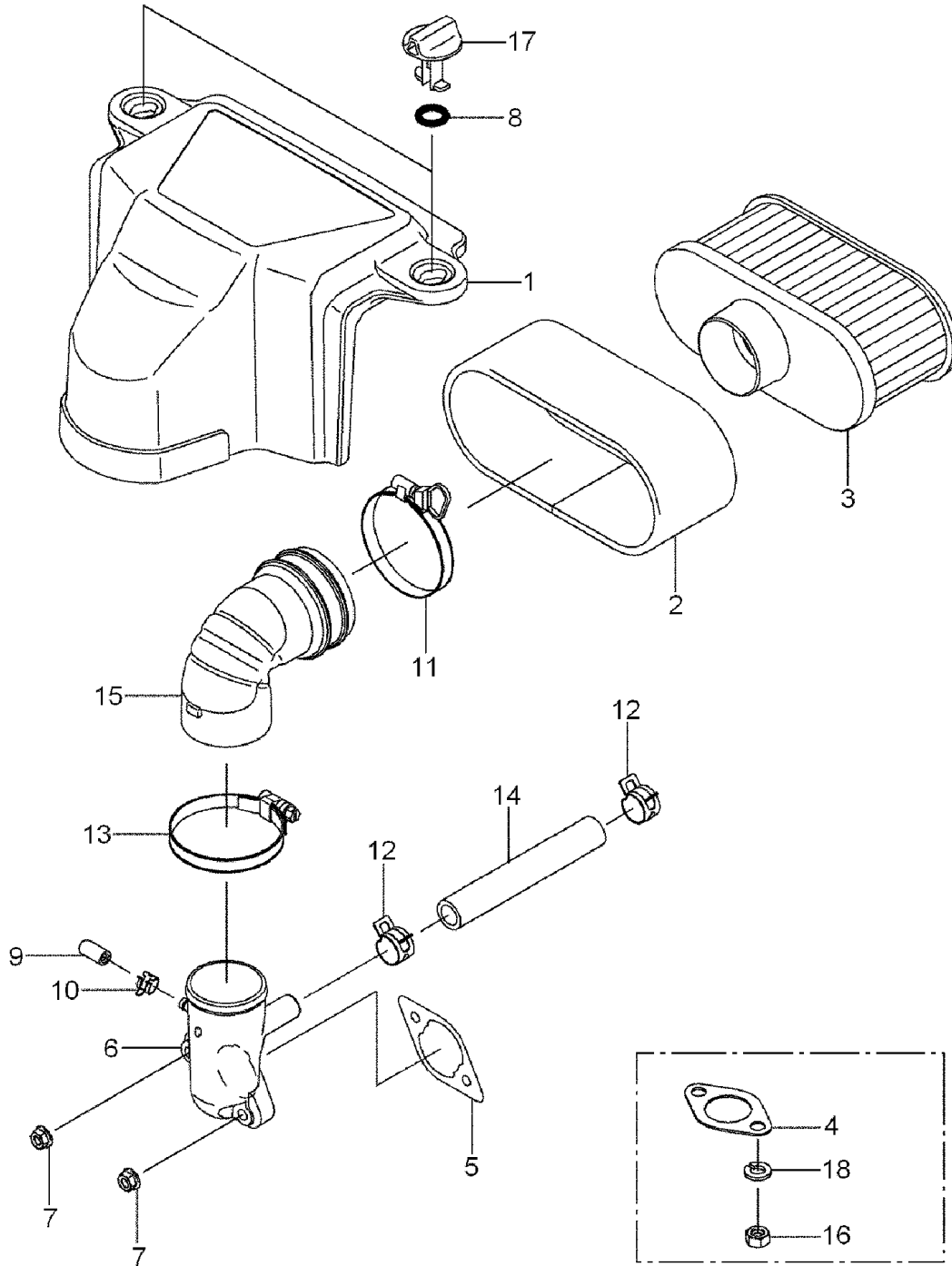


01/2015

Number	Part Number	Name	Quantity
1	15255	AIR FILTER COVER	1,000
2	18361	PREFILTER	1,000
3	18362	LUFTFILTER	1,000
4	15261	MUFFLER GASKET	1,000
5	15265	GASKET	1,000
6	15293	INTAKE PIPE	1,000
7	18222	NUT	1,000
8	15450	O-RING	1,000
9	15469	PLUG	1,000
10	15504	COLLAR	1,000
11	15507	COLLAR	1,000
12	15508	COLLAR	1,000
13	15509	COLLAR	1,000
14	15510	HOSE	1,000
15	15512	INTAKE PIPE	1,000
16	18342	ECROU	1,000
17	15521	FILTER COVER SCREW	1,000
18	15848	SPRING WASHER	1,000

KAWASAKI FS481V / FS541V

PL01990

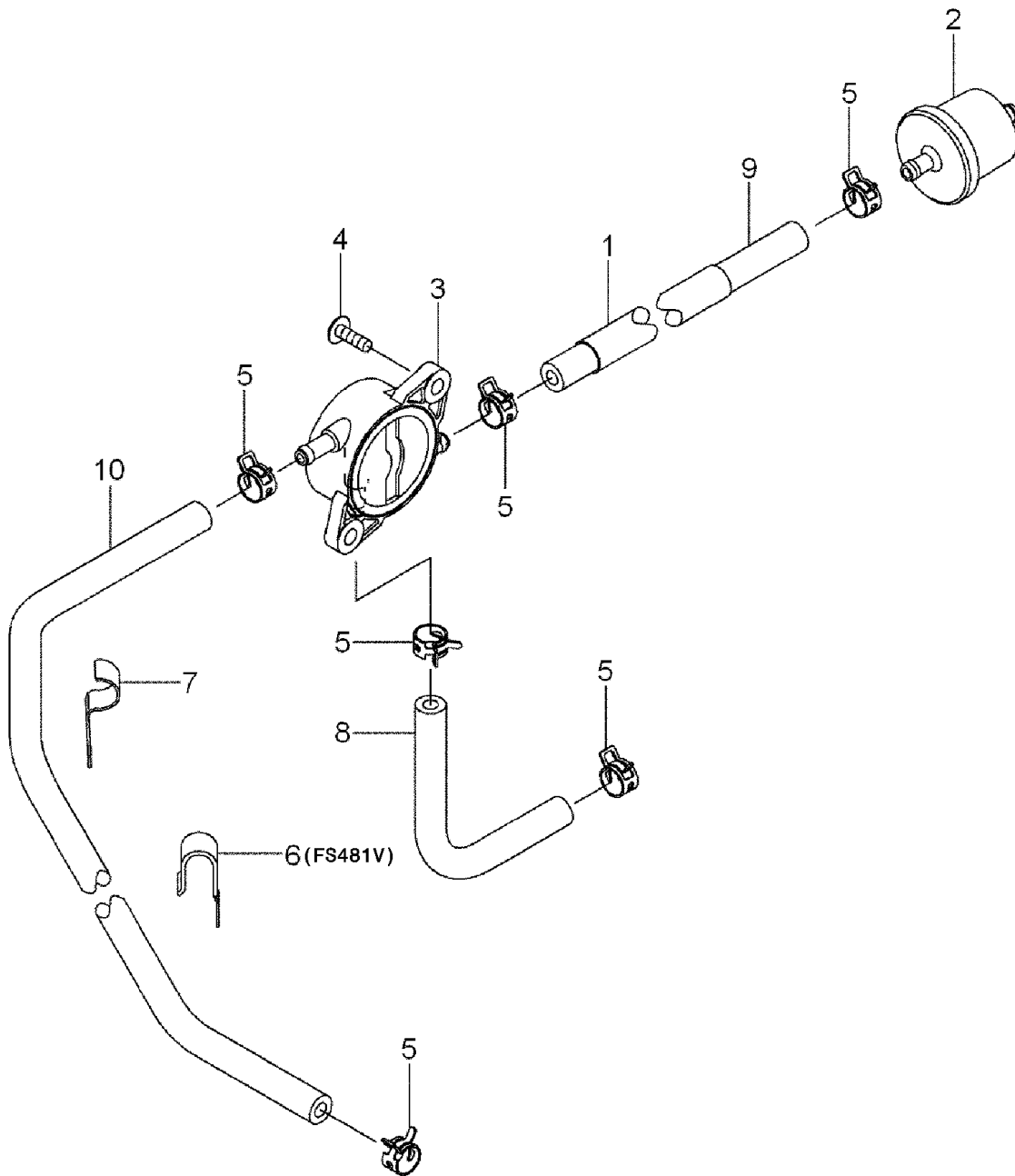


01/2015

Number	Part Number	Name	Quantity
1	15364	BUSH	1,000
2	25266	FILTER FUEL	1,000
3	15380	FUEL PUMP	1,000
4	15421	SCREW	1,000
5	18253	CLAMP	1,000
6	15505	COLLAR	1,000
7	15506	COLLAR	1,000
8	15511	HOSE 150MM	1,000
9	15513	HOSE 185MM	1,000
10	15514	HOSE 375MM	1,000

KAWASAKI FS481V / FS541V

PL01991

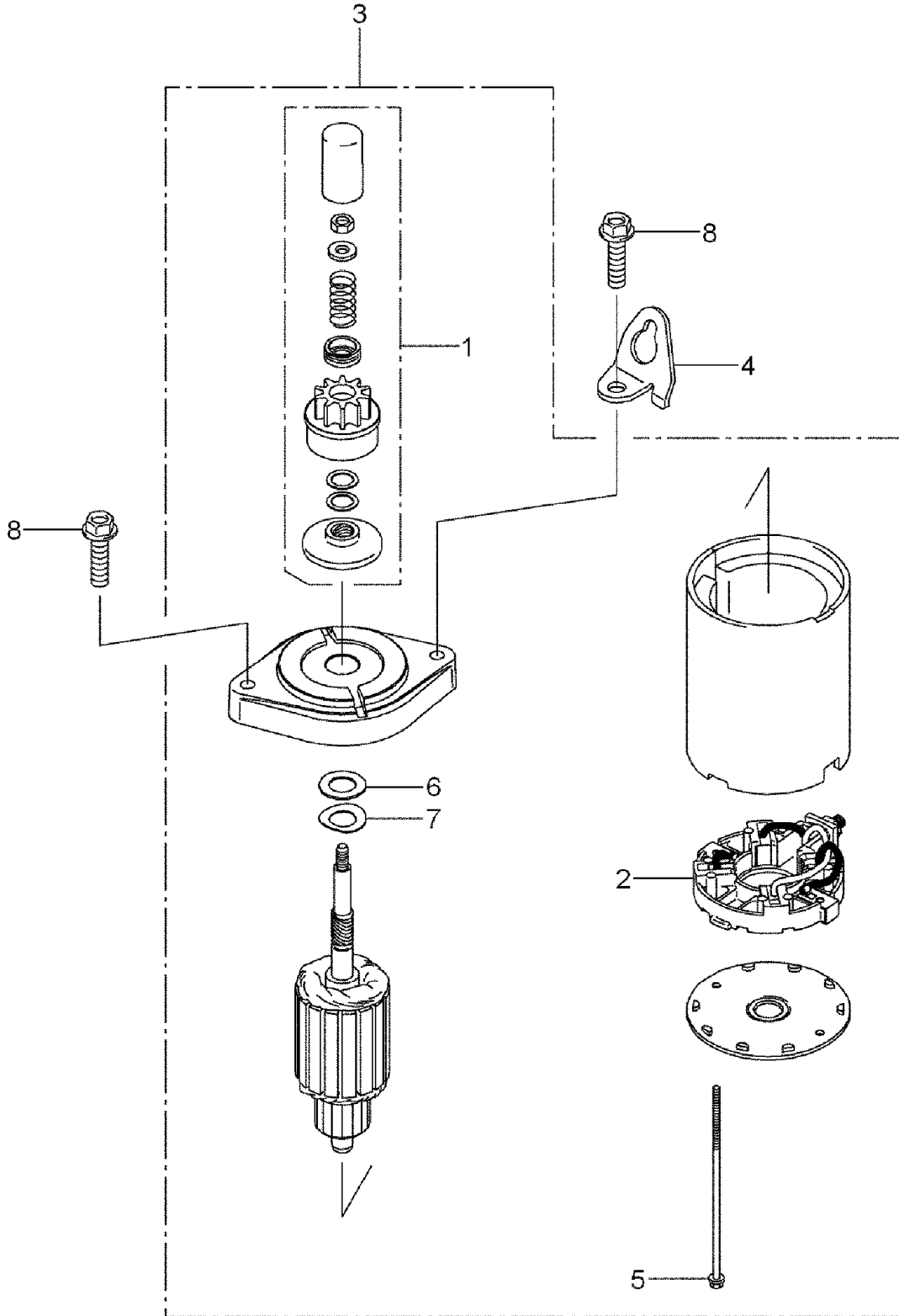


01/2015

Number	Part Number	Name	Quantity
1	15280	GEAR ASSY	1,000
2	18181	CARBON BRUSH	1,000
3	15313	STARTER	1,000
4	15348	HOOK	1,000
5	18360	STARTER SCREW	1,000
6	15518	WASHER	1,000
7	15519	WASHER	1,000
8	15691	SCREW	1,000

KAWASAKI
FS481V

PL01992



10/2012