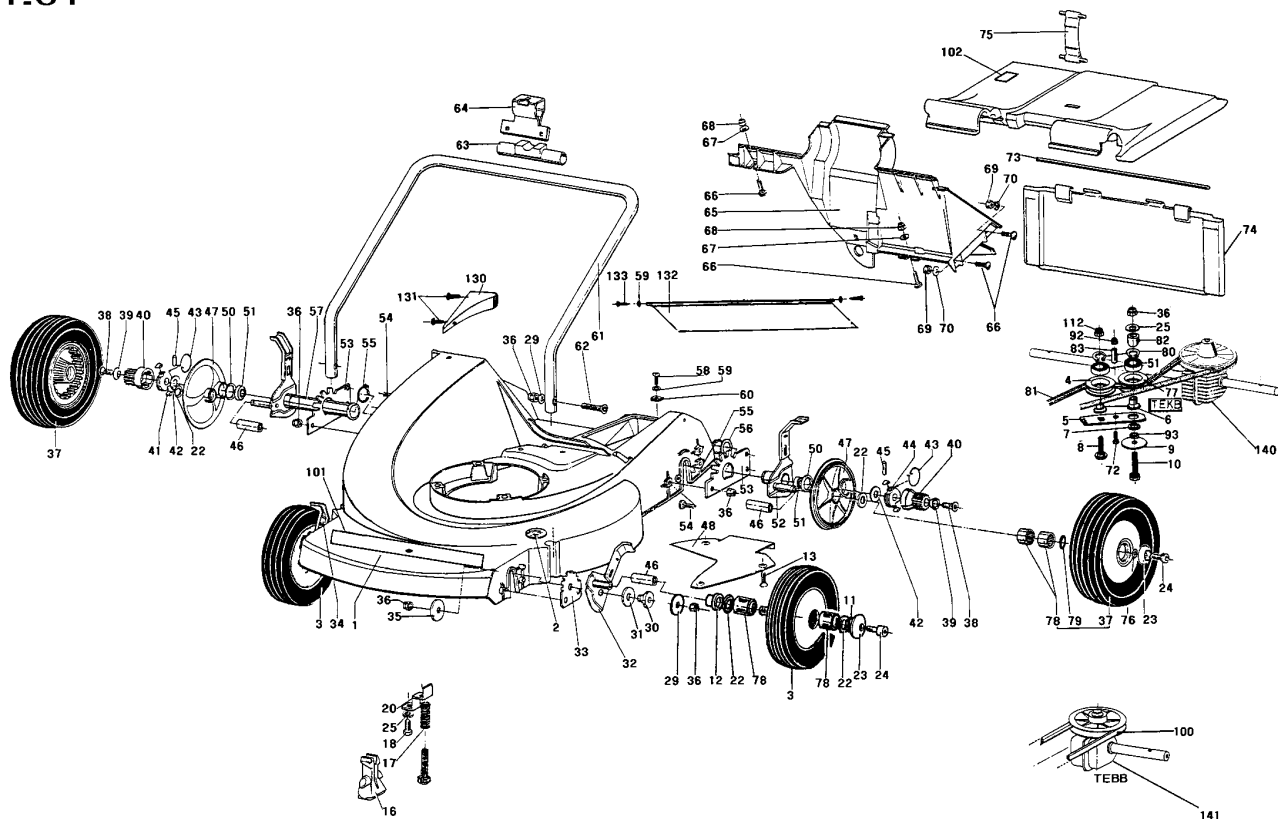


Number	Part Number	Name	Quantity
1	24957	CUTT.DECK 51 WHITE	1,000
2	23615	CAP	1,000
3	23274	WHEEL ASSY 200GREEN	1,000
4	24659	GROOVE PULLEY	1,000
5	24045	PLATE SUPPORT	1,000
6	24836	RING	1,000
7	24046	VARIATOR PIVOT	1,000
8	5347	SCREW 8X25	1,000
9	24058	SUPPORT VARIATOR	1,000
10	71223	SCREW M8X50	1,000
11	21270	WASHER 6,4	1,000
12	7046	SLEEVE	1,000
13	71097	EJOT SCR.PT A 80X20	1,000
16	24611	LOWER INSULATION	1,000
17	24669	ABSORBER SPRING	1,000
18	5083	M8X20 TAPTITE SCREW	1,000
19	20686	HEXAG. SCREW 6X55	1,000
20	24040	FIXED LEVER	1,000
22	9034	NYLON WASHER	1,000
23	24087	PROTECTION WASHER	1,000
24	71072	BOLT CHC M6X10	1,000
25	7335	WASHER	1,000
29	7035	FLAT WASHER	1,000
30	24638	SPACER	1,000
31	7330	WASHER	1,000
32	24422	CUT.H.R+F LEFT 51	1,000
33	24020	NOTCHED DISK	1,000
34	24423	CUT.H.R+F RIGHT 51	1,000
35	20021	WASHER 8,5X40X4	1,000
36	71074	NUT HM8	1,000
37	24411	REAR WHEEL 51 KIT	1,000
38	71021	SCREW FHC/90 M6X12	1,000
39	24067	WASHER	1,000
40	5323	GEAR	1,000
41	5733	FREE WHEEL RIGHT	1,000
42	71016	WASHER 16X22X1	1,000
43	5329	CLICK SPRING	1,000
44	5734	FREE WHEEL LEFT	1,000
45	21609	PIN 5X22	1,000
46	5019	GUIDE RING	1,000
47	43187	REAR WHEEL COVER TR	1,000

Number	Part Number	Name	Quantity
48	24002	BELT COVER INF.	1,000
50	24692	SEALING WASHER	1,000
51	9022	BALL BEARING 6002	1,000
52	24426	CUT.H.L.51 STD	1,000
53	23025	INDEXED PLATE	1,000
54	71070	SCREW 8X30	1,000
55	5016	EXT. TRUARC RING	1,000
56	5067	WASHER BELLEVILLE	1,000
57	24340	CUT.H.R.51 STD	1,000
58	21437	SCREW	1,000
59	7094	FLAT WASHER	1,000
60	21436	CLIPS NUT	1,000
61	24010	HANDLEBAR INF.	1,000
62	71056	SCREW FHC/90 M8X40	1,000
63	24612	CENTRAL ISOLATION	1,000
64	24016	HANDLEBAR LOCK	1,000
65	24924	COVER WHITE 51	1,000
66	71069	BOLT DIN 603	1,000
67	71096	WASHER B6,4	1,000
68	71201	NUT M6	1,000
69	1557	NUT HM6	1,000
70	71049	SPRING WASHER,DIN 1	1,000
72	71135	SCREW 5X25	1,000
73	24003	DEFLEKTOR ROD	1,000
74	24605	RUBBER FLAPPER	1,000
75	24606	STRAP NG51 + SHAFT	1,000
77	23632	PULLEY	1,000
78	5015	STUDED BUSH	1,000
79	21655	IMPERVIOUSNESS RING	1,000
80	21256	CIRCLIP	1,000
81	24655	BELT 51	1,000
82	24048	VARIATOR SPACER	1,000
83	24846	SPACER 15X8X5,2	1,000
92	37561	NUT	1,000
93	24085	SPACER PIVOT	1,000
100	24646	BELT 51 STD	1,000
101	12048	STICKER 26*4	1,000
102	39049	STICKER	1,000
112	71076	NUT VERBUS HM8	1,000
130	24602	BASE PLATE BLACK	1,000
131	71206	BOLT EJ.PT KA50X16	1,000

Number	Part Number	Name	Quantity
132	24781	NG51 FLAP	1,000
133	6187	SCREW	1,000
140	42240	OIL BATH VAR. REDUC	1,000
141	24269	OIL BATH RED 1SPEED	1,000

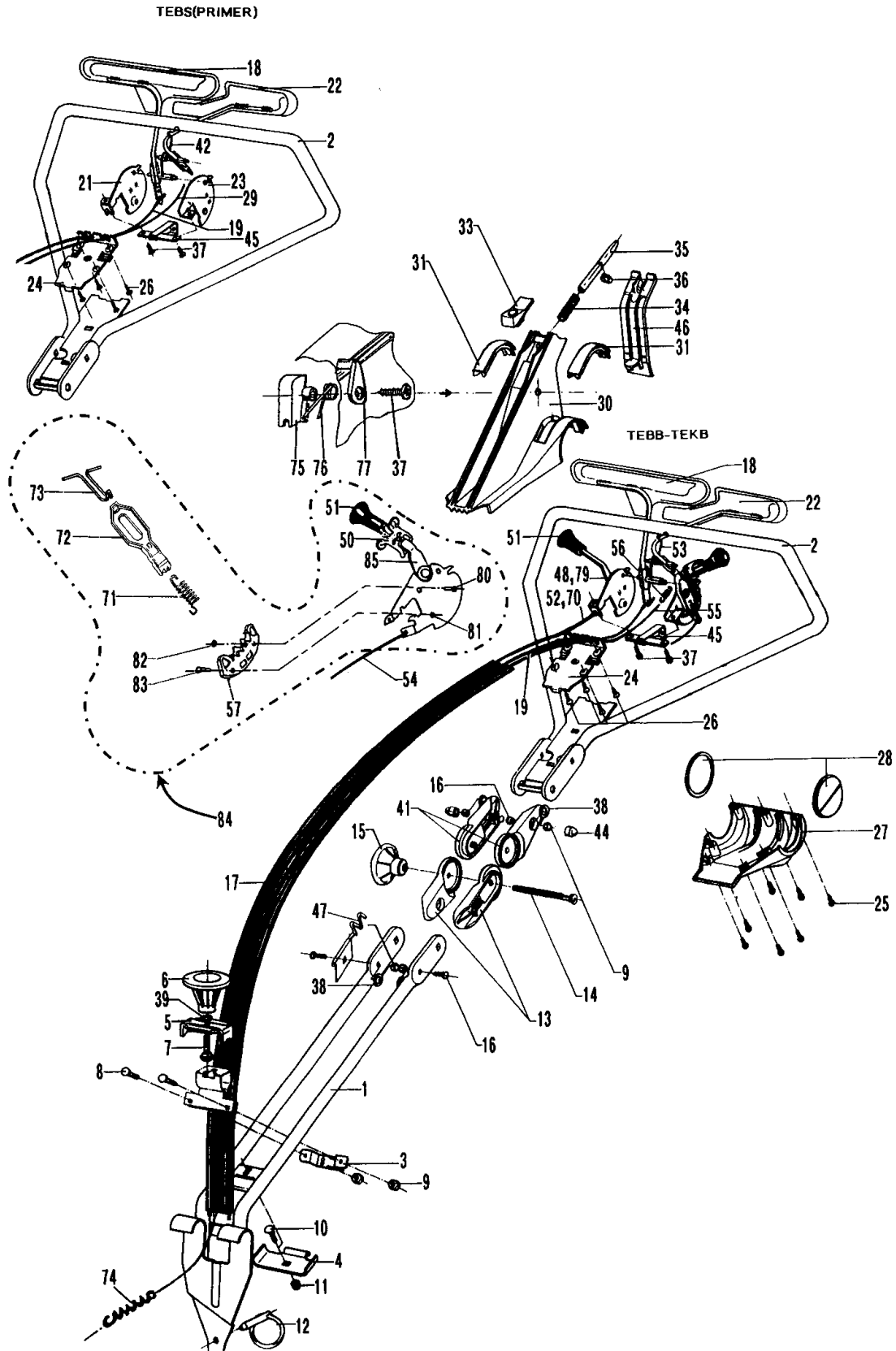
171.01



Number	Part Number	Name	Quantity
1	24311	LOWER HANDLEBAR	1,000
2	23306	UP. HANDL. ASSY PSE	1,000
3	23041	RING	1,000
4	24014	COLLECTOR HOOK	1,000
5	24018	SQUEEZE PLATE	1,000
6	24615	BUTTON (BIG)	1,000
7	71017	SCREW 8X40	1,000
8	5496	SCREW 6X20	1,000
9	71201	NUT M6	1,000
10	2217	BOLT TRCC 8X16	1,000
11	71074	NUT HM8	1,000
12	24704	PIN + CLIP	1,000
13	24614	LOWER LOCKING JOINT	1,000
14	71028	BOLT TRCC 8X110	1,000
15	24610	BUTTON (SMALL)	1,000
16	71060	BOLT TRCC 6X25	1,000
17	23654	REMOTE CTRL SLEEVE	1,000
18	24434	DRIVE EN-/DISENGAGE	1,000
19	24775	CLUTCH CABLE 51RD	1,000
21	24094	TEBS THROTTLE CABLE	1,000
22	24433	BLADE EN-/DISENGAGE	1,000
23	24128	HS MOTOR BRAKE DISK	1,000
24	24050	SLEEVE STOP	1,000
25	71051	BOLT EJ.PT KA40X14	1,000
26	71050	BOLT EJ.PT KA40X14	1,000
27	23651	LOWER HOUSING	1,000
28	23666	CAPSULE	1,000
29	24792	BRAKE CABLE ENGINE	1,000
30	23650	CENTRAL HOUSING	1,000
31	24682	COVER	1,000
33	24690	LOCKING BUTTON	1,000
34	24609	SPRING	1,000
35	24059	BOLT	1,000
36	24684	TRUARC RING	1,000
37	71082	EJOT SCR.PT KA40X12	1,000
38	2235	WASHER A6.4	1,000
39	71343	SPRING WASHER A8	1,000
41	24629	UPPER LOCKING JOINT	1,000
42	24778	SPRING	1,000
44	24628	PROTECTING CAP HM6	1,000
45	24350	LEVER STOP	1,000

Number	Part Number	Name	Quantity
46	23652	CENTR.HOUSING REAR	1,000
47	24670	GUIDE-RECOIL START.	1,000
48	24314	GAZ MODULE KAWA	1,000
50	24700	BUTTON	1,000
51	21177	BALL M8	1,000
52	24757	KAWA.THROTTLE CABLE	1,000
53	24758	LEVER SPRING	1,000
54	24711	CABLE+SLEEVE VARIAT	1,000
55	24821	CABL+SLEEV.BLADE CL	1,000
56	24838	SPRING	1,000
57	24701	INDEXED DISK	1,000
70	24673	THR.CABLE+SLEEVE BS	1,000
71	24703	BACK SPRING	1,000
72	24644	VARIATOR SLIDE	1,000
73	24702	LINKAGE	1,000
74	24686	SPRING	1,000
75	24845	LOCKING ARM	1,000
76	24843	DOUBLE CTRL.SPRING	1,000
77	24844	LOCKING LEVER	1,000
79	24364	GAZ MODULE BRIGGS	1,000
80	71237	SCREW F H M4-8,4.8	1,000
81	21525	NUT HM4	1,000
83	21524	SCREW M8X35	1,000
84	24395	ENGINE SPEED MODUL	1,000
85	24777	BOUTON MANOEUV.VERT	1,000

175.01

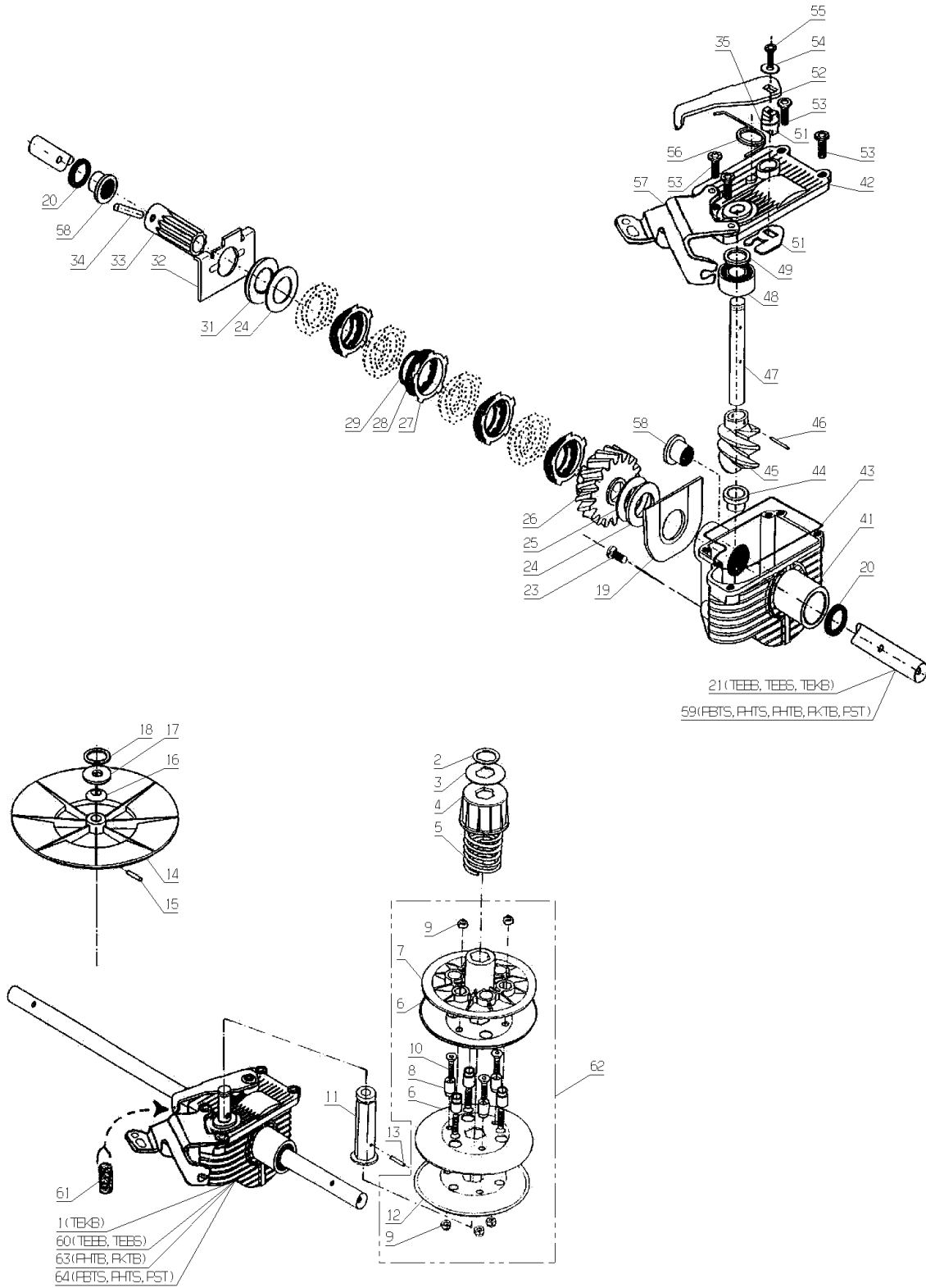


Number	Part Number	Name	Quantity
1	42240	OIL BATH VAR. REDUC	1,000
2	71019	CIRCLIP 16X1	1,000
3	24072	WASHER 32X16,5X1	1,000
4	24649	PULLEY STOP	1,000
5	24651	PULLEY SPRING	1,000
6	24044	1/2 PULLEY FLANGE	1,000
7	24665	1/2 PULLEY	1,000
8	24069	GUIDE STUB	1,000
9	37561	NUT	1,000
10	71022	SCREW FHC/90 M5X20	1,000
11	41823	WASHER+AXLE PUL.CPL	1,000
12	24840	1/2 PULLEY	1,000
13	20556	PIN 3X15	1,000
14	22455	REDUCTION GEAR PULL	1,000
15	71088	PIN 3X22	1,000
16	20561	CURLED WASHER A10	1,000
17	21036	FLAT WASHER 10.5	1,000
18	20559	CIRCLIPS 10	1,000
19	41105	CASING REINFORCEMENT	1,000
20	71219	LIP SEAL 15X21X5	1,000
21	24135	SLOW SHAFT NG51 RD	1,000
23	71211	BOLT EJ-PT 50X16	1,000
24	41102	STRIDDED STOP	1,000
25	71216	STOP WASHER	1,000
26	24776	BELL + WHEEL SET	1,000
27	41097	EXT.CLUTCH PLATE	1,000
28	41096	INT.CLUTCH PLATE	1,000
29	71214	WASHER R9	1,000
31	41095	STOP WASHER	1,000
32	41094	FORK RD	1,000
33	41104	CARRIER	1,000
34	21609	PIN 5X22	1,000
35	71220	O-RING 8,9X1,9	1,000
41	41050	-> 41052 + 42095	1,000
42	41051	REDUCT. GEAR COVER	1,000
43	41110	COVER SEAL	1,000
44	20558	RING C/10 15X10	1,000
45	20555	ENDLESS BOLT	1,000
47	41055	QUICK SHAFT N.M	1,000
48	24642	BEARING	1,000
49	71218	LIP SEAL 10X18X4	1,000

Number	Part Number	Name	Quantity
51	41822	PUSH AXLE (SET)	1,000
52	41059	CONTROL ARM	1,000
53	71244	BOLT EJ-PT 50X20	1,000
54	7094	FLAT WASHER	1,000
55	71213	BOLT M4X10	1,000
56	41060	CLUTCH SPRING	1,000
57	42095	BRACKET	1,000
58	41056	SELF LUBRICATE BUSH	1,000
59	23087	SLOW SHAFT 46 RD	1,000
60	24269	OIL BATH RED 1SPEED	1,000
61	24686	SPRING	1,000
62	24275	VARIATOR PULLEY	1,000
63	23278	DISC.GEARBOX 46 VAR	1,000
64	23279	DISC.GEARBOX46 ST	1,000

VIVA 46/51

180.01



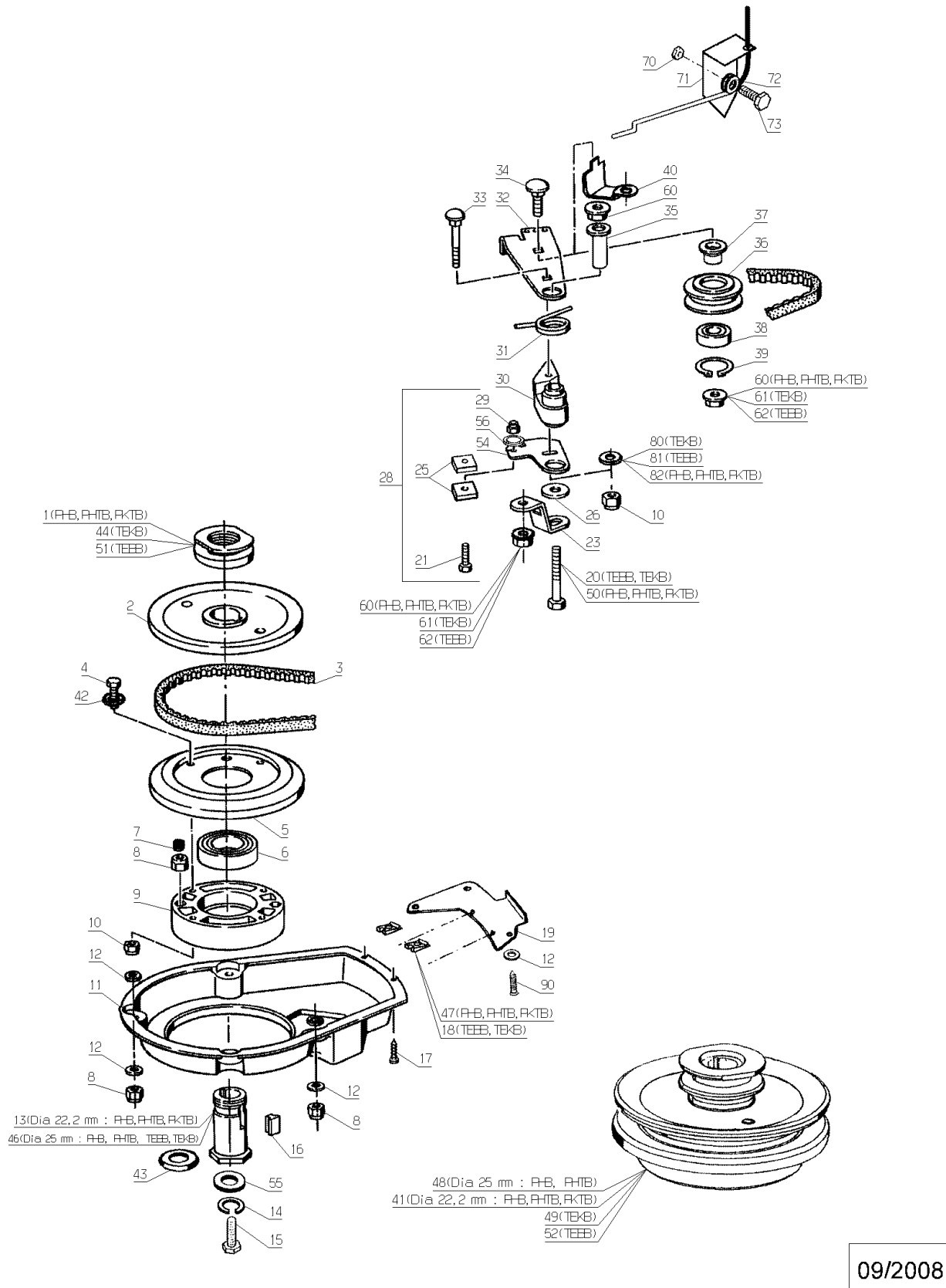
09/2005

Number	Part Number	Name	Quantity
1	23720	PULLEY DIA 44	1,000
2	24831	FLYWHEEL	1,000
3	24825	BELT 13X560	1,000
4	37997	SCREW HM6-16 8.8	1,000
5	24156	1/2 PULLEY	1,000
6	24832	BEARING 6007-2RS1	1,000
7	40173	ADJUST - SPRING.	1,000
8	71205	SCREW M8	1,000
9	24834	BLADE COUPLING	1,000
10	71201	NUT M6	1,000
11	24823	PROTEC. HOUSING	1,000
12	7335	WASHER	1,000
13	24830	THREADED BUSH	1,000
14	71052	SPRING WASHER,DIN 1	1,000
15	7342	BOLT 3/8 - 24	1,000
16	40128	KEY	1,000
17	6187	SCREW	1,000
18	21442	CLIPS	1,000
19	24820	LOWER COVER 51	1,000
20	20633	HEX.SCREW 8X65	1,000
21	71268	FHC SCREW M4X20	1,000
23	24150	RENF. PLATE	1,000
25	24835	BRAKE PAD	1,000
26	7035	FLAT WASHER	1,000
28	24430	BRAKE PAD ASSY	1,000
29	21525	NUT HM4	1,000
30	24824	BEARING	1,000
31	24822	SPRING	1,000
32	24151	CLUTCH PLATE	1,000
33	5608	SCREW 6X35	1,000
34	5347	SCREW 8X25	1,000
35	24152	SLEEVE TUBE	1,000
36	42070	IRON PULLEY DIA.45	1,000
37	24836	RING	1,000
38	9022	BALL BEARING 6002	1,000
39	21256	CIRCLIP	1,000
40	24155	BELT STOP	1,000
41	23429	FLYW.+PULL.44/D22,2	1,000
42	22029	FLAT WASHER 6,5	1,000
43	42068	WASHER D54,5X35X0,5	1,000
44	24829	PULLEY DIA 42	1,000

Number	Part Number	Name	Quantity
46	24833	THREADED BUSH	1,000
47	21436	CLIPS NUT	1,000
48	23439	FLYWHEEL+PUL.44/D25	1,000
49	24436	FLYWHL.+PULL.42/D25	1,000
50	71223	SCREW M8X50	1,000
51	23726	TAPPED PULLEY 45	1,000
52	23431	FLYWHEEL+PUL.45/D25	1,000
54	42051	BRAKE PLATE	1,000
55	7341	FLAT WASHER 10,3X49	1,000
56	21481	WASHER	1,000
61	71076	NUT VERBUS HM8	1,000
70	37561	NUT	1,000
71	24153	SLEEVE STOP	1,000
72	5070	CLUTCH PULLEY	1,000
73	24154	THREADED SHAFT	1,000
80	2235	WASHER A6.4	1,000
82	21270	WASHER 6,4	1,000
90	71097	EJOT SCR.PT A 80X20	1,000

VIVA 46/51

205.01

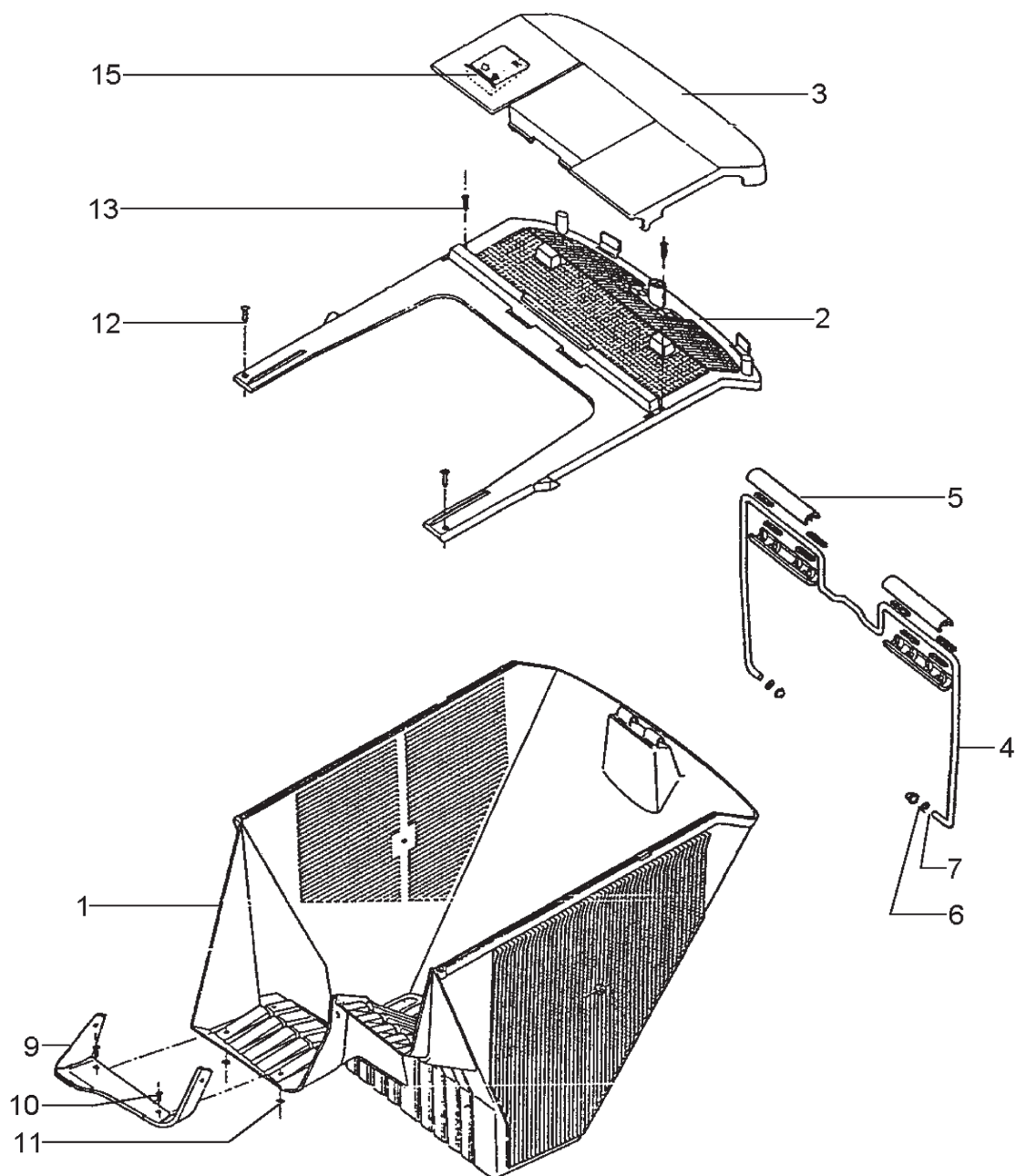


09/2008

Number	Part Number	Name	Quantity
1	TU51E	GRASS COLLECT. 51CM	1,000
2	24929	UPPER PART	1,000
3	24930	DUST COVER GREEN	1,000
4	24905	ARCHED HANDLE 51	1,000
5	24903	1/2 GRIP	1,000
6	71164	STARLOCK TRIM	1,000
7	7335	WASHER	1,000
9	24252	PROTECTION PLATE	1,000
10	21204	RIVET TP 4X7,9	1,000
11	7094	FLAT WASHER	1,000
12	71048	BOLT EJ.PT KA40X10	1,000
13	71050	BOLT EJ.PT KA40X14	1,000
15	23928	INDICATOR FILLING G	1,000

PRO51

185.01



01/2022