

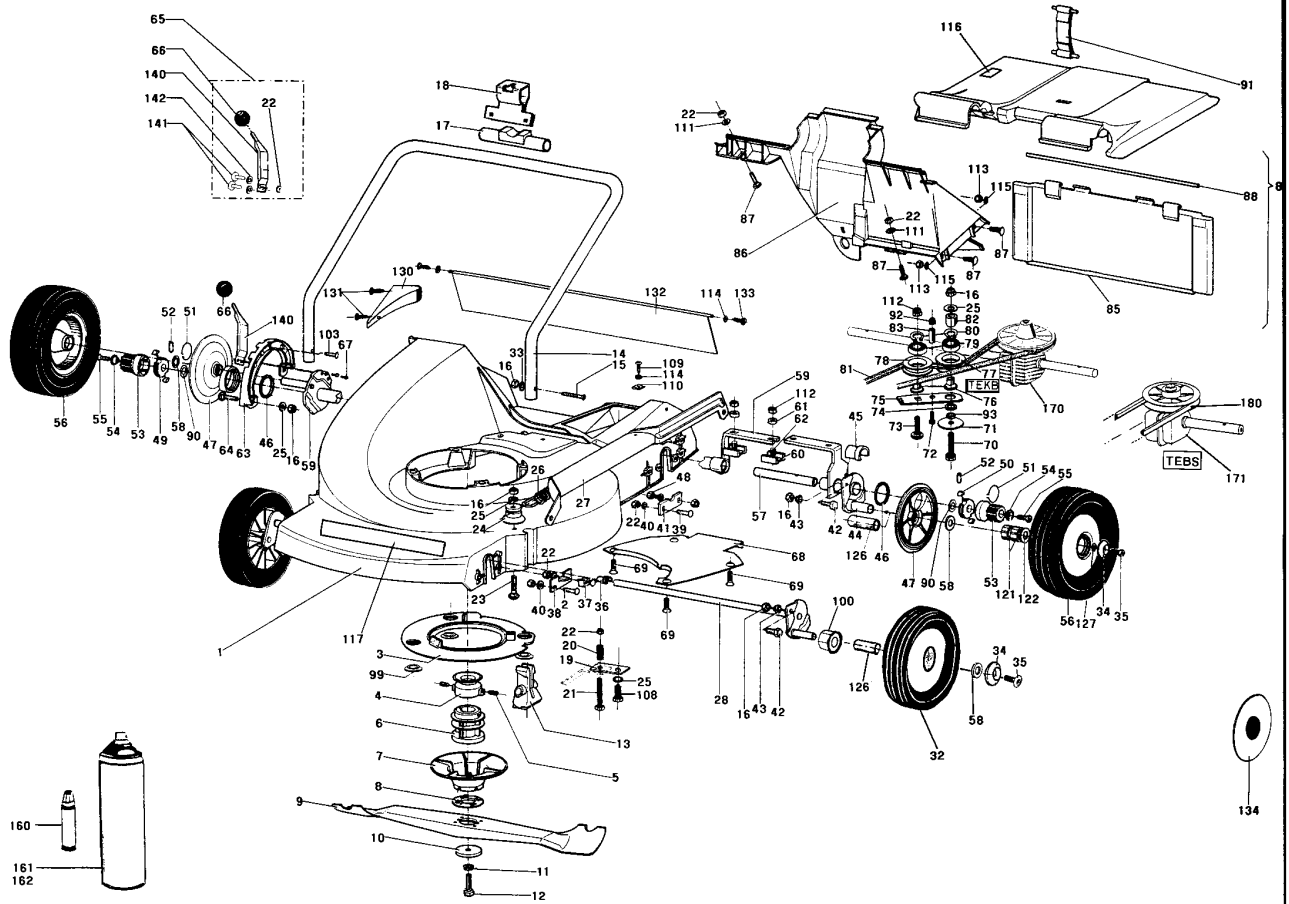
Number	Part Number	Name	Quantity
1	24957	CUTT.DECK 51 WHITE	1,000
2	71060	BOLT TRCC 6X25	1,000
3	24617	THERMAL PROTECTION	1,000
4	24601	PULLEY 63 NG51	1,000
5	5353	SCREW	1,000
6	23616	COUPLING 25 MM	1,000
7	24618	COUPLING DISK	1,000
8	24006	SHEAR WASHER	1,000
9	TZ51E	BLADES FOR 51CM	1,000
10	7341	FLAT WASHER 10,3X49	1,000
11	71052	SPRING WASHER,DIN 1	1,000
12	7342	BOLT 3/8 - 24	1,000
13	24611	LOWER INSULATION	1,000
14	24010	HANDLEBAR INF.	1,000
15	71056	SCREW FHC/90 M8X40	1,000
16	71074	NUT HM8	1,000
17	24612	CENTRAL ISOLATION	1,000
18	24016	HANDLEBAR LOCK	1,000
19	24030	SPRING STOP	1,000
20	21308	SPRING	1,000
21	20686	HEXAG. SCREW 6X55	1,000
22	71201	NUT M6	1,000
23	71017	SCREW 8X40	1,000
24	23623	SPRING SHAFT	1,000
25	7335	WASHER	1,000
26	24632	46CUT.HEIGHT SPRING	1,000
27	24320	CONNECTING ROD KIT	1,000
28	24323	CUTTING H FRONT	1,000
29	20537	WHEEL RING	1,000
30	20536	CRINKLE WASHER	1,000
31	6011	WASHER 12,2X23,2X1	1,000
32	24926	WHEEL 200 BALL B.	1,000
33	7035	FLAT WASHER	1,000
34	24087	PROTECTION WASHER	1,000
35	71072	BOLT CHC M6X10	1,000
36	20539	FRONT RING	1,000
37	24634	DAMPING ELEMENT	1,000
38	24024	BASE SHEET FRONT	1,000
39	5496	SCREW 6X20	1,000
40	2235	WASHER A6.4	1,000
41	24038	REAR SHEET	1,000

Number	Part Number	Name	Quantity
42	71071	HEXAG. SCREW 8X20	1,000
43	24052	KNUCKLE RING	1,000
44	24274	CUT.HEIGHT REAR L51	1,000
45	24633	GUIDE RING	1,000
46	24692	SEALING WASHER	1,000
47	43187	REAR WHEEL COVER TR	1,000
48	20507	BOLT HM 6X20	1,000
49	5733	FREE WHEEL RIGHT	1,000
50	5734	FREE WHEEL LEFT	1,000
51	5329	CLICK SPRING	1,000
52	21609	PIN 5X22	1,000
53	5323	GEAR	1,000
54	24067	WASHER	1,000
55	71021	SCREW FHC/90 M6X12	1,000
56	24411	REAR WHEEL 51 KIT	1,000
57	24135	SLOW SHAFT NG51 RD	1,000
58	9034	NYLON WASHER	1,000
59	24273	CUT.HEIGHT REAR R51	1,000
60	24022	CLAMPING BOW	1,000
61	24083	CORNER RING	1,000
62	71122	SCREW 8X20	1,000
63	42067	INDEXED DISK 51	1,000
64	71070	SCREW 8X30	1,000
65	24439	LEVER + SCREW	1,000
66	21177	BALL M8	1,000
67	20548	NAIL RIVET 6X15	1,000
68	24002	BELT COVER INF.	1,000
69	71097	EJOT SCR.PT A 80X20	1,000
70	71223	SCREW M8X50	1,000
71	24058	SUPPORT VARIATOR	1,000
72	71135	SCREW 5X25	1,000
73	5347	SCREW 8X25	1,000
74	24046	VARIATOR PIVOT	1,000
75	24045	PLATE SUPPORT	1,000
76	24836	RING	1,000
77	23632	PULLEY	1,000
78	24659	GROOVE PULLEY	1,000
79	9022	BALL BEARING 6002	1,000
80	21256	CIRCLIP	1,000
81	24655	BELT 51	1,000
82	24048	VARIATOR SPACER	1,000

Number	Part Number	Name	Quantity
83	24846	SPACER 15X8X5,2	1,000
84	42283	DEFLECTOR CPL GREEN	1,000
85	24605	RUBBER FLAPPER	1,000
86	24924	COVER WHITE 51	1,000
87	71069	BOLT DIN 603	1,000
88	24003	DEFLEKTOR ROD	1,000
90	71016	WASHER 16X22X1	1,000
91	24606	STRAP NG51 + SHAFT	1,000
92	37561	NUT	1,000
93	24085	SPACER PIVOT	1,000
99	24005	ENGINE WASHER	1,000
100	7046	SLEEVE	1,000
103	71078	SCREW TF 5X16	1,000
108	5083	M8X20 TAPTITE SCREW	1,000
109	21437	SCREW	1,000
110	21436	CLIPS NUT	1,000
111	71096	WASHER B6,4	1,000
112	71076	NUT VERBUS HM8	1,000
113	1557	NUT HM6	1,000
114	7094	FLAT WASHER	1,000
115	71049	SPRING WASHER,DIN 1	1,000
116	39049	STICKER	1,000
117	12048	STICKER 26*4	1,000
121	5015	STUDED BUSH	1,000
122	21655	IMPERVIOUSNESS RING	1,000
126	5019	GUIDE RING	1,000
127	21270	WASHER 6,4	1,000
128	24132	SHAFT WASHER	1,000
129	71222	SCREW FHC/90 6X12	1,000
130	24602	BASE PLATE BLACK	1,000
131	71206	BOLT EJ.PT KA50X16	1,000
132	24781	NG51 FLAP	1,000
133	6187	SCREW	1,000
134	24927	WHEEL FLANGE 200	1,000
140	42270	LEVER CUTTING HEIGH	1,000
141	71255	SCREW TH M6X14	1,000
142	71075	WASHER	1,000
160	25480	GREEN COLOUR STICK	1,000
161	25965	COLOR SPRAY GREEN	1,000
162	25966	COLOR SPRAY WHITE	1,000
170	42240	OIL BATH VAR. REDUC	1,000

Number	Part Number	Name	Quantity
171	24269	OIL BATH RED 1SPEED	1,000
180	24646	BELT 51 STD	1,000

170.01

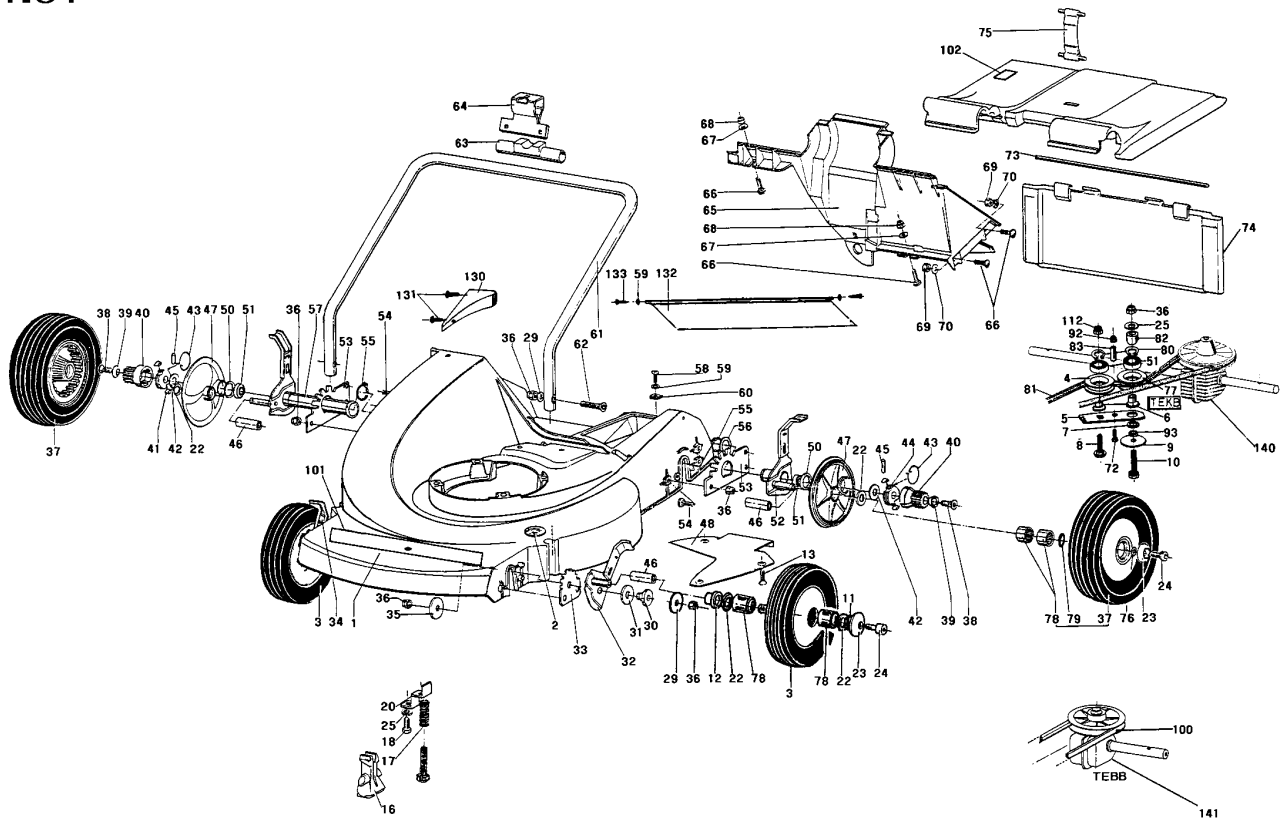


Number	Part Number	Name	Quantity
1	24957	CUTT.DECK 51 WHITE	1,000
2	23615	CAP	1,000
3	23274	WHEEL ASSY 200GREEN	1,000
4	24659	GROOVE PULLEY	1,000
5	24045	PLATE SUPPORT	1,000
6	24836	RING	1,000
7	24046	VARIATOR PIVOT	1,000
8	5347	SCREW 8X25	1,000
9	24058	SUPPORT VARIATOR	1,000
10	71223	SCREW M8X50	1,000
11	21270	WASHER 6,4	1,000
12	7046	SLEEVE	1,000
13	71097	EJOT SCR.PT A 80X20	1,000
16	24611	LOWER INSULATION	1,000
17	24669	ABSORBER SPRING	1,000
18	5083	M8X20 TAPTITE SCREW	1,000
20	24040	FIXED LEVER	1,000
22	9034	NYLON WASHER	1,000
23	24087	PROTECTION WASHER	1,000
24	71072	BOLT CHC M6X10	1,000
25	7335	WASHER	1,000
29	7035	FLAT WASHER	1,000
30	24638	SPACER	1,000
31	7330	WASHER	1,000
32	24422	CUT.H.R+F LEFT 51	1,000
33	24020	NOTCHED DISK	1,000
34	24423	CUT.H.R+F RIGHT 51	1,000
35	20021	WASHER 8,5X40X4	1,000
36	71074	NUT HM8	1,000
37	24411	REAR WHEEL 51 KIT	1,000
38	71021	SCREW FHC/90 M6X12	1,000
39	24067	WASHER	1,000
40	5323	GEAR	1,000
41	5733	FREE WHEEL RIGHT	1,000
42	71016	WASHER 16X22X1	1,000
43	5329	CLICK SPRING	1,000
44	5734	FREE WHEEL LEFT	1,000
45	21609	PIN 5X22	1,000
46	5019	GUIDE RING	1,000
47	43187	REAR WHEEL COVER TR	1,000
48	24820	LOWER COVER 51	1,000

Number	Part Number	Name	Quantity
50	24692	SEALING WASHER	1,000
51	9022	BALL BEARING 6002	1,000
52	24426	CUT.H.L.51 STD	1,000
53	23025	INDEXED PLATE	1,000
54	71070	SCREW 8X30	1,000
55	5016	EXT. TRUARC RING	1,000
56	5067	WASHER BELLEVILLE	1,000
57	24340	CUT.H.R.51 STD	1,000
58	21437	SCREW	1,000
59	7094	FLAT WASHER	1,000
60	21436	CLIPS NUT	1,000
61	24010	HANDLEBAR INF.	1,000
62	71056	SCREW FHC/90 M8X40	1,000
63	24612	CENTRAL ISOLATION	1,000
64	24016	HANDLEBAR LOCK	1,000
65	24924	COVER WHITE 51	1,000
66	71069	BOLT DIN 603	1,000
67	71096	WASHER B6,4	1,000
68	71201	NUT M6	1,000
69	1557	NUT HM6	1,000
70	71049	SPRING WASHER,DIN 1	1,000
72	71135	SCREW 5X25	1,000
73	24003	DEFLEKTOR ROD	1,000
74	24605	RUBBER FLAPPER	1,000
75	24606	STRAP NG51 + SHAFT	1,000
77	23632	PULLEY	1,000
78	5015	STUDED BUSH	1,000
79	21655	IMPERVIOUSNESS RING	1,000
80	21256	CIRCLIP	1,000
81	24655	BELT 51	1,000
82	24048	VARIATOR SPACER	1,000
83	24846	SPACER 15X8X5,2	1,000
92	37561	NUT	1,000
93	24085	SPACER PIVOT	1,000
100	24646	BELT 51 STD	1,000
101	12048	STICKER 26*4	1,000
102	39049	STICKER	1,000
112	71076	NUT VERBUS HM8	1,000
130	24602	BASE PLATE BLACK	1,000
131	71206	BOLT EJ.PT KA50X16	1,000
132	24781	NG51 FLAP	1,000

Number	Part Number	Name	Quantity
133	6187	SCREW	1,000
140	42240	OIL BATH VAR. REDUC	1,000
141	24269	OIL BATH RED 1SPEED	1,000

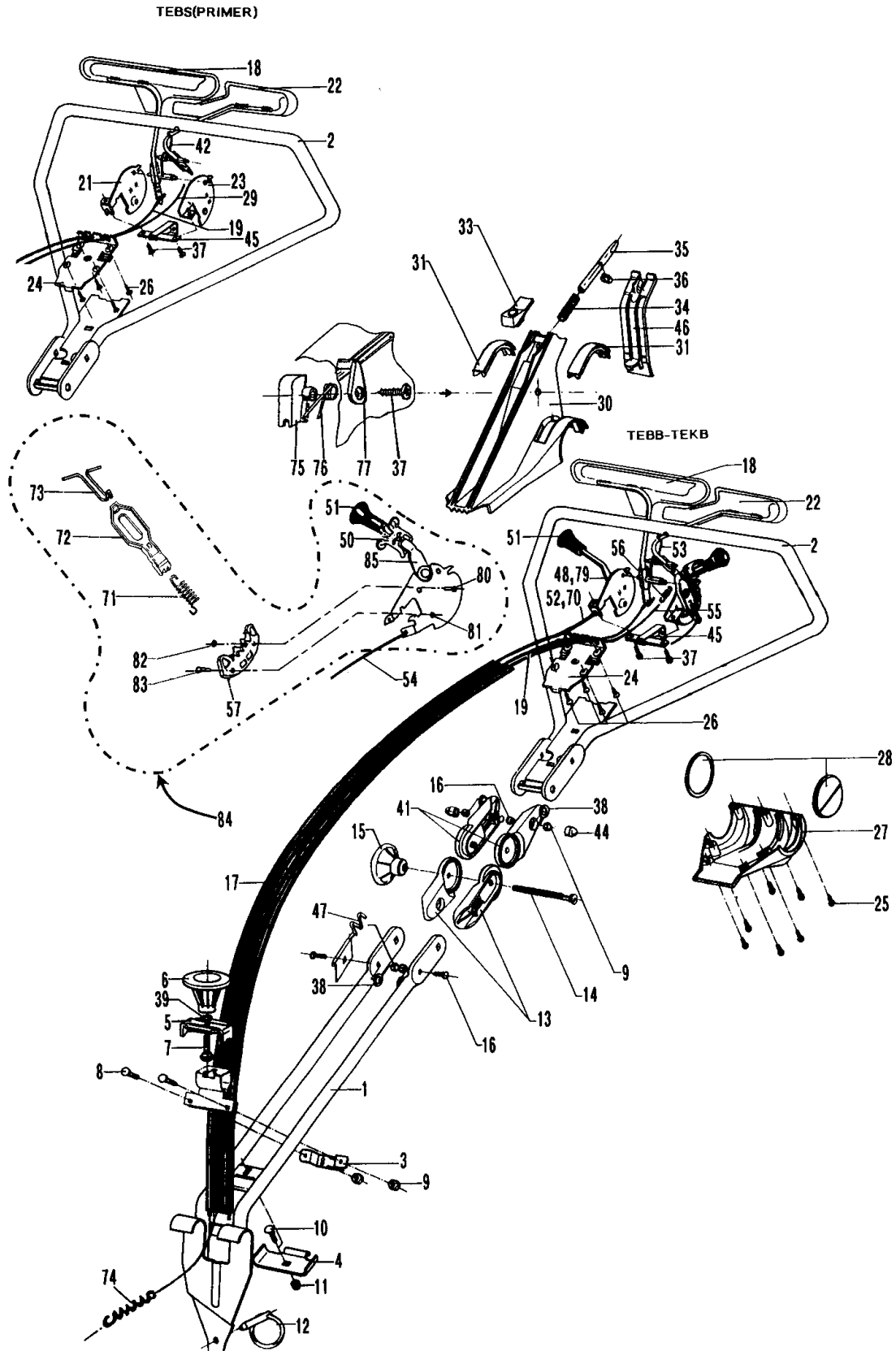
171.01



Number	Part Number	Name	Quantity
1	24311	LOWER HANDLEBAR	1,000
2	23306	UP. HANDL. ASSY PSE	1,000
3	23041	RING	1,000
4	24014	COLLECTOR HOOK	1,000
5	24018	SQUEEZE PLATE	1,000
6	24615	BUTTON (BIG)	1,000
7	71017	SCREW 8X40	1,000
8	5496	SCREW 6X20	1,000
9	71201	NUT M6	1,000
10	2217	BOLT TRCC 8X16	1,000
11	71074	NUT HM8	1,000
12	24704	PIN + CLIP	1,000
13	24614	LOWER LOCKING JOINT	1,000
14	71028	BOLT TRCC 8X110	1,000
15	24610	BUTTON (SMALL)	1,000
16	71060	BOLT TRCC 6X25	1,000
17	23654	REMOTE CTRL SLEEVE	1,000
18	24434	DRIVE EN-/DISENGAGE	1,000
19	24775	CLUTCH CABLE 51RD	1,000
21	24094	TEBS THROTTLE CABLE	1,000
22	24433	BLADE EN-/DISENGAGE	1,000
23	24128	HS MOTOR BRAKE DISK	1,000
24	24050	SLEEVE STOP	1,000
25	71051	BOLT EJ.PT KA40X14	1,000
26	71050	BOLT EJ.PT KA40X14	1,000
27	23651	LOWER HOUSING	1,000
28	23666	CAPSULE	1,000
29	24792	BRAKE CABLE ENGINE	1,000
30	23650	CENTRAL HOUSING	1,000
31	24682	COVER	1,000
33	24690	LOCKING BUTTON	1,000
34	24609	SPRING	1,000
35	24059	BOLT	1,000
36	24684	TRUARC RING	1,000
37	71082	EJOT SCR.PT KA40X12	1,000
38	2235	WASHER A6.4	1,000
39	71343	SPRING WASHER A8	1,000
41	24629	UPPER LOCKING JOINT	1,000
42	24778	SPRING	1,000
44	24628	PROTECTING CAP HM6	1,000
45	24350	LEVER STOP	1,000

Number	Part Number	Name	Quantity
46	23652	CENTR.HOUSING REAR	1,000
47	24670	GUIDE-RECOIL START.	1,000
48	24314	GAZ MODULE KAWA	1,000
50	24700	BUTTON	1,000
51	21177	BALL M8	1,000
52	24757	KAWA.THROTTLE CABLE	1,000
53	24758	LEVER SPRING	1,000
54	24711	CABLE+SLEEVE VARIAT	1,000
55	24821	CABL+SLEEV.BLADE CL	1,000
56	24838	SPRING	1,000
57	24701	INDEXED DISK	1,000
70	24673	THR.CABLE+SLEEVE BS	1,000
71	24703	BACK SPRING	1,000
72	24644	VARIATOR SLIDE	1,000
73	24702	LINKAGE	1,000
74	24686	SPRING	1,000
75	24845	LOCKING ARM	1,000
76	24843	DOUBLE CTRL.SPRING	1,000
77	24844	LOCKING LEVER	1,000
79	24364	GAZ MODULE BRIGGS	1,000
80	71237	SCREW F H M4-8,4.8	1,000
81	21525	NUT HM4	1,000
83	21524	SCREW M8X35	1,000
84	24395	ENGINE SPEED MODUL	1,000
85	24777	BOUTON MANOEUV.VERT	1,000

175.01

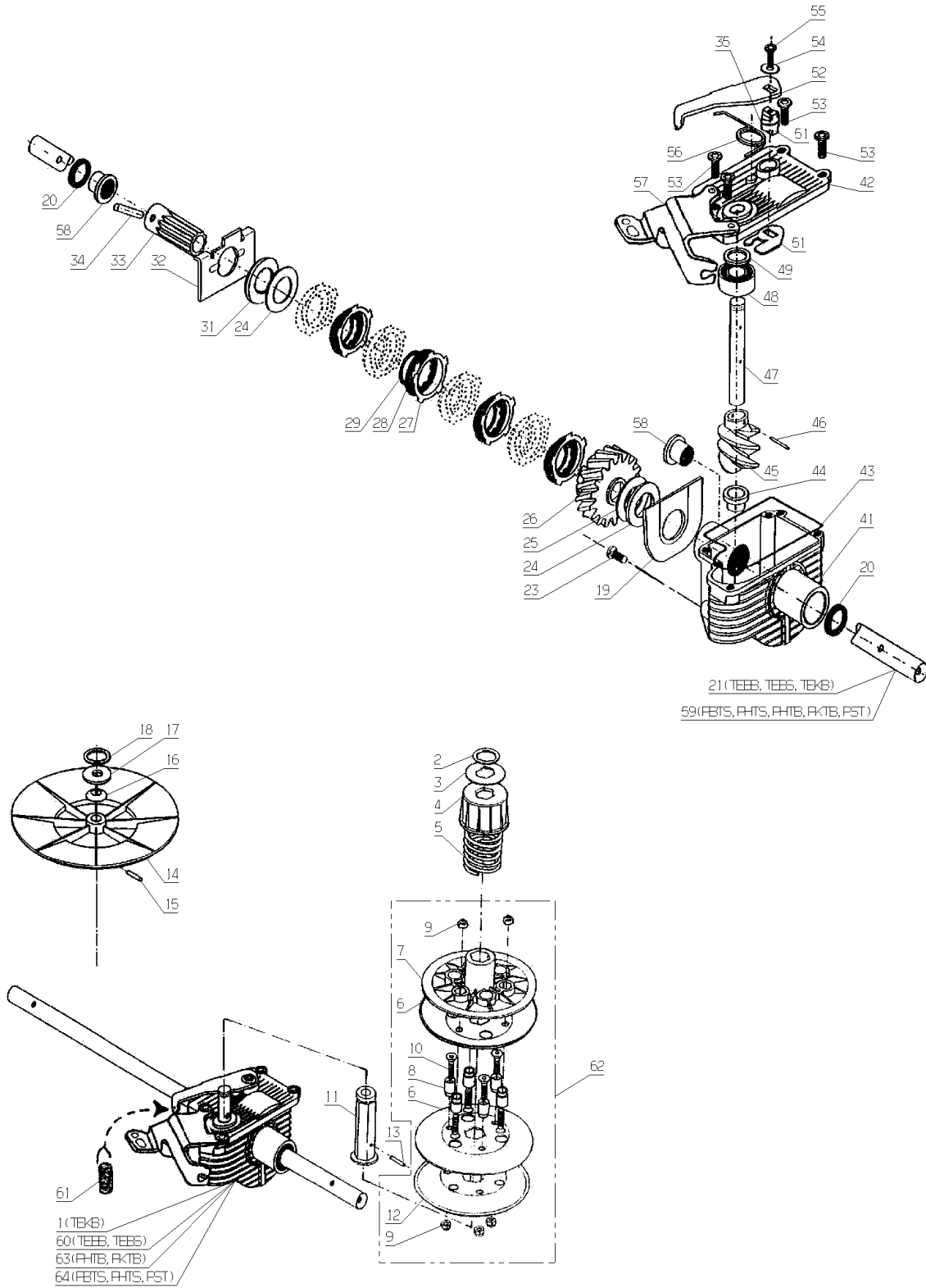


Number	Part Number	Name	Quantity
1	42240	OIL BATH VAR. REDUC	1,000
2	71019	CIRCLIP 16X1	1,000
3	24072	WASHER 32X16,5X1	1,000
4	24649	PULLEY STOP	1,000
5	24651	PULLEY SPRING	1,000
6	24044	1/2 PULLEY FLANGE	1,000
7	24665	1/2 PULLEY	1,000
8	24069	GUIDE STUB	1,000
9	37561	NUT	1,000
10	71022	SCREW FHC/90 M5X20	1,000
11	41823	WASHER+AXLE PUL.CPL	1,000
12	24840	1/2 PULLEY	1,000
13	20556	PIN 3X15	1,000
14	22455	REDUCTION GEAR PULL	1,000
15	71088	PIN 3X22	1,000
16	20561	CURLED WASHER A10	1,000
17	21036	FLAT WASHER 10.5	1,000
18	20559	CIRCLIPS 10	1,000
19	41105	CASING REINFORCEMENT	1,000
20	71219	LIP SEAL 15X21X5	1,000
21	24135	SLOW SHAFT NG51 RD	1,000
23	71211	BOLT EJ-PT 50X16	1,000
24	41102	STRIDDED STOP	1,000
25	71216	STOP WASHER	1,000
26	24776	BELL + WHEEL SET	1,000
27	41097	EXT.CLUTCH PLATE	1,000
28	41096	INT.CLUTCH PLATE	1,000
29	71214	WASHER R9	1,000
31	41095	STOP WASHER	1,000
32	41094	FORK RD	1,000
33	41104	CARRIER	1,000
34	21609	PIN 5X22	1,000
35	71220	O-RING 8,9X1,9	1,000
41	41050	-> 41052 + 42095	1,000
42	41051	REDUCT. GEAR COVER	1,000
43	41110	COVER SEAL	1,000
44	20558	RING C/10 15X10	1,000
45	20555	ENDLESS BOLT	1,000
47	41055	QUICK SHAFT N.M	1,000
48	24642	BEARING	1,000
49	71218	LIP SEAL 10X18X4	1,000

Number	Part Number	Name	Quantity
51	41822	PUSH AXLE (SET)	1,000
52	41059	CONTROL ARM	1,000
53	71244	BOLT EJ-PT 50X20	1,000
54	7094	FLAT WASHER	1,000
55	71213	BOLT M4X10	1,000
56	41060	CLUTCH SPRING	1,000
57	42095	BRACKET	1,000
58	41056	SELF LUBRICATE BUSH	1,000
59	23087	SLOW SHAFT 46 RD	1,000
60	24269	OIL BATH RED 1SPEED	1,000
61	24686	SPRING	1,000
62	24275	VARIATOR PULLEY	1,000
63	23278	DISC.GEARBOX 46 VAR	1,000
64	23279	DISC.GEARBOX46 ST	1,000

VIVA 46/51

180.01



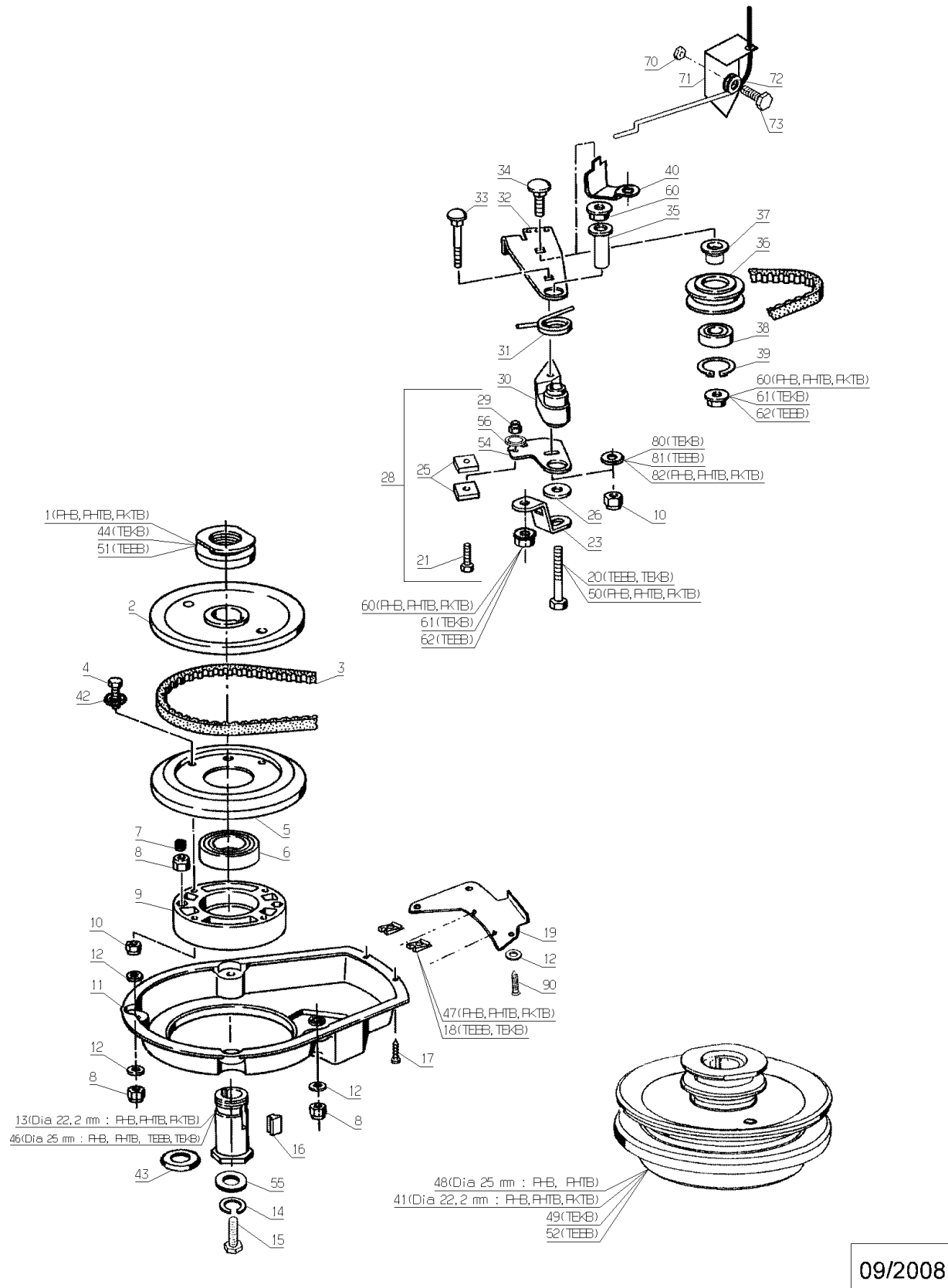
09/2005

Number	Part Number	Name	Quantity
1	23720	PULLEY DIA 44	1,000
2	24831	FLYWHEEL	1,000
3	24825	BELT 13X560	1,000
4	37997	SCREW HM6-16 8.8	1,000
5	24156	1/2 PULLEY	1,000
6	24832	BEARING 6007-2RS1	1,000
7	40173	ADJUST - SPRING.	1,000
8	71205	SCREW M8	1,000
9	24834	BLADE COUPLING	1,000
10	71201	NUT M6	1,000
11	24823	PROTEC. HOUSING	1,000
12	7335	WASHER	1,000
13	24830	THREADED BUSH	1,000
14	71052	SPRING WASHER,DIN 1	1,000
15	7342	BOLT 3/8 - 24	1,000
16	40128	KEY	1,000
17	6187	SCREW	1,000
18	21442	CLIPS	1,000
19	24820	LOWER COVER 51	1,000
20	20633	HEX.SCREW 8X65	1,000
21	71268	FHC SCREW M4X20	1,000
23	24150	RENF. PLATE	1,000
25	24835	BRAKE PAD	1,000
26	7035	FLAT WASHER	1,000
28	24430	BRAKE PAD ASSY	1,000
29	21525	NUT HM4	1,000
30	24824	BEARING	1,000
31	24822	SPRING	1,000
32	24151	CLUTCH PLATE	1,000
33	5608	SCREW 6X35	1,000
34	5347	SCREW 8X25	1,000
35	24152	SLEEVE TUBE	1,000
36	42070	IRON PULLEY DIA.45	1,000
37	24836	RING	1,000
38	9022	BALL BEARING 6002	1,000
39	21256	CIRCLIP	1,000
40	24155	BELT STOP	1,000
41	23429	FLYW.+PULL.44/D22,2	1,000
42	22029	FLAT WASHER 6,5	1,000
43	42068	WASHER D54,5X35X0,5	1,000
44	24829	PULLEY DIA 42	1,000

Number	Part Number	Name	Quantity
46	24833	THREADED BUSH	1,000
47	21436	CLIPS NUT	1,000
48	23439	FLYWHEEL+PUL.44/D25	1,000
49	24436	FLYWHL.+PULL.42/D25	1,000
50	71223	SCREW M8X50	1,000
51	23726	TAPPED PULLEY 45	1,000
52	23431	FLYWHEEL+PUL.45/D25	1,000
54	42051	BRAKE PLATE	1,000
55	7341	FLAT WASHER 10,3X49	1,000
56	21481	WASHER	1,000
61	71076	NUT VERBUS HM8	1,000
70	37561	NUT	1,000
71	24153	SLEEVE STOP	1,000
72	5070	CLUTCH PULLEY	1,000
73	24154	THREADED SHAFT	1,000
80	2235	WASHER A6.4	1,000
82	21270	WASHER 6,4	1,000
90	71097	EJOT SCR.PT A 80X20	1,000

VIVA 46/51

205.01

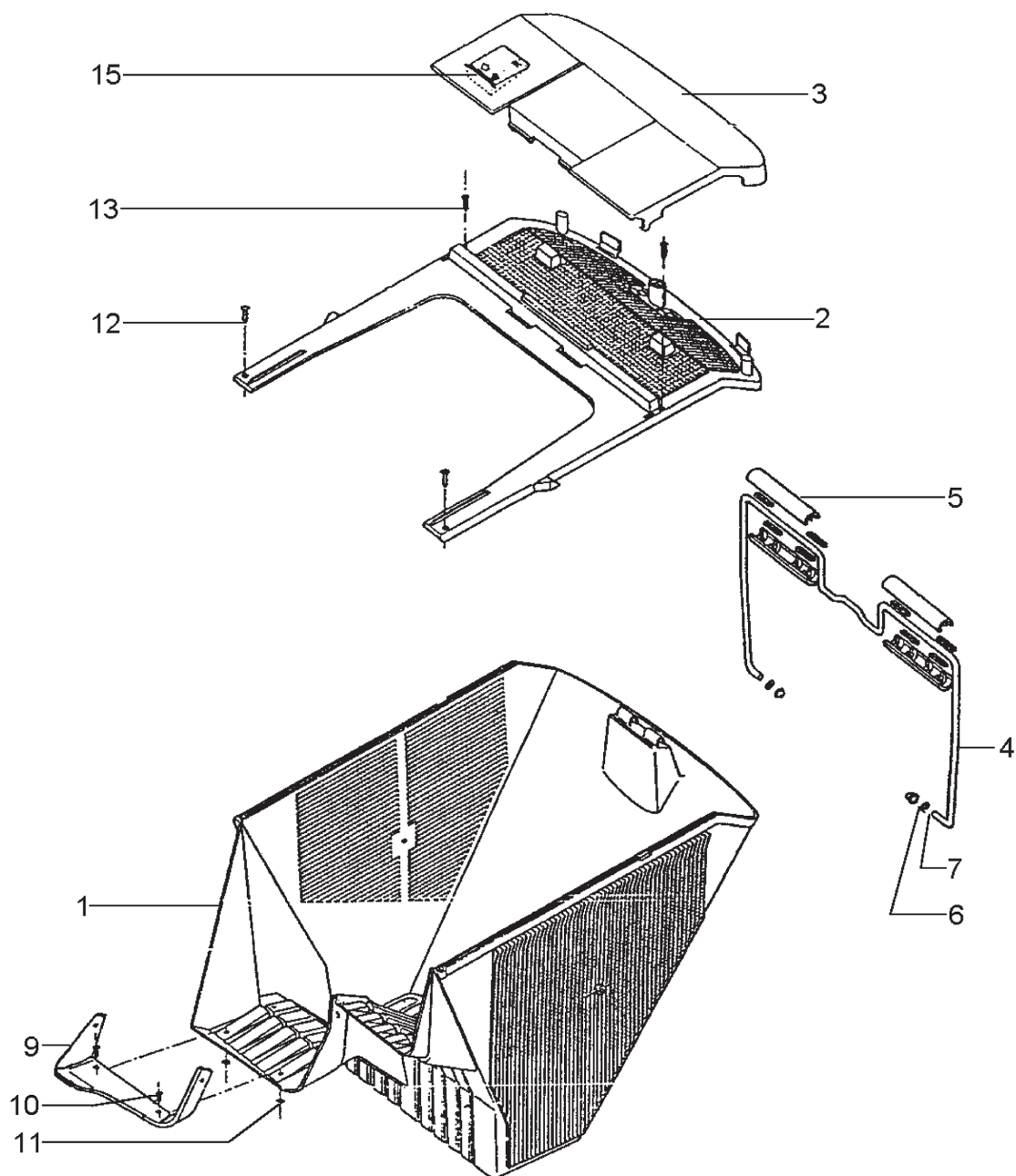


09/2008

Number	Part Number	Name	Quantity
1	TU51E	GRASS COLLECT. 51CM	1,000
2	24929	UPPER PART	1,000
3	24930	DUST COVER GREEN	1,000
4	24905	ARCHED HANDLE 51	1,000
5	24903	1/2 GRIP	1,000
6	71164	STARLOCK TRIM	1,000
7	7335	WASHER	1,000
9	24252	PROTECTION PLATE	1,000
10	21204	RIVET TP 4X7,9	1,000
11	7094	FLAT WASHER	1,000
12	71048	BOLT EJ.PT KA40X10	1,000
13	71050	BOLT EJ.PT KA40X14	1,000
15	23928	INDICATOR FILLING G	1,000

PRO51

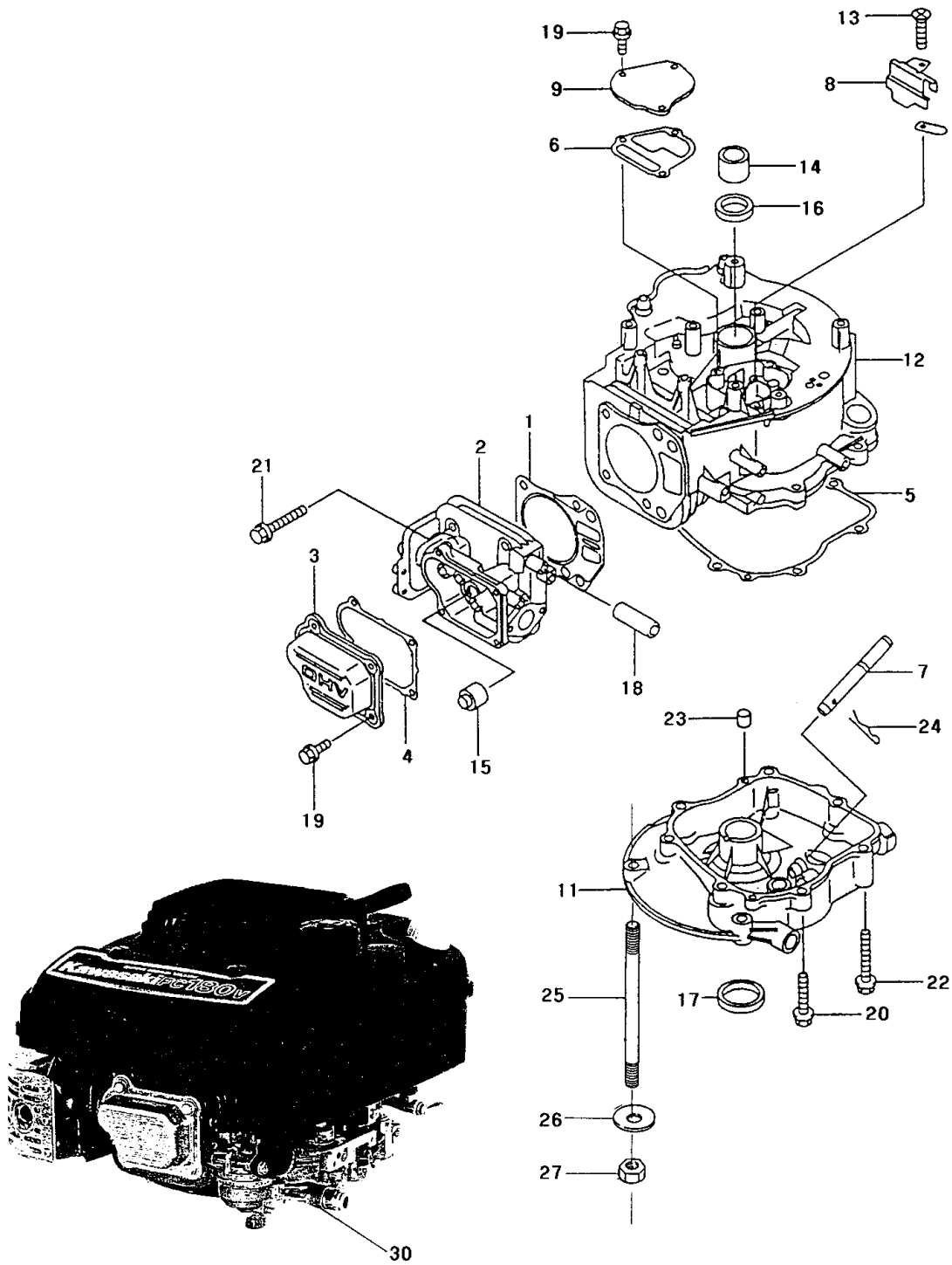
185.01



01/2022

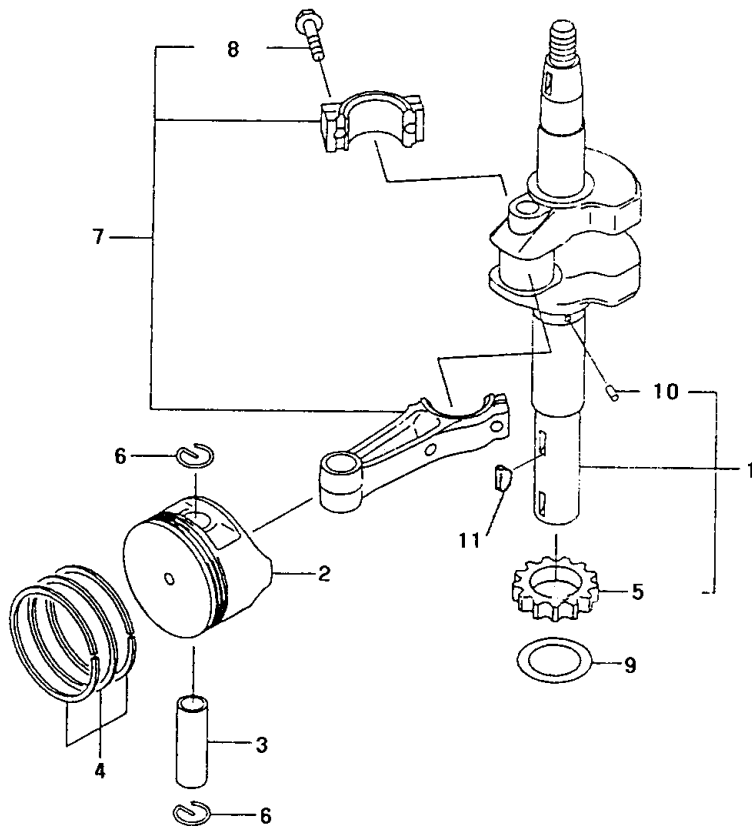
Number	Part Number	Name	Quantity
1	17901	HEAD GASKET	1,000
2	17902	CYLINDER HEAD	1,000
3	17903	CYLINDER HEAD COVER	1,000
4	17904	GASKET	1,000
5	17905	GASKET	1,000
6	17906	GASKET	1,000
7	17907	SHAFT	1,000
8	17908	PLATE	1,000
9	17909	COVER	1,000
11	17911	COVER CRANKCASE	1,000
12	17912	CRANKASE	1,000
13	15819	SCREW	1,000
14	17914	RING	1,000
15	17915	COLLAR	1,000
16	17720	COLLAR	1,000
17	17917	COLLAR	1,000
18	17918	TUBE 12 X 16 X 46	1,000
19	17726	SCREW	1,000
20	17920	SCREW	1,000
21	17729	SCREW	1,000
22	17922	SCREW	1,000
23	15332	ASSEMBLY BUSH	1,000
24	15358	COTTER PIN	1,000
25	24827	THREADED PIN M10/M8	1,000
26	7035	FLAT WASHER	1,000
27	71205	SCREW M8	1,000
30	24867	MIL. ENGINE FC180V	1,000

KAWASAKI OHV FC 180 V



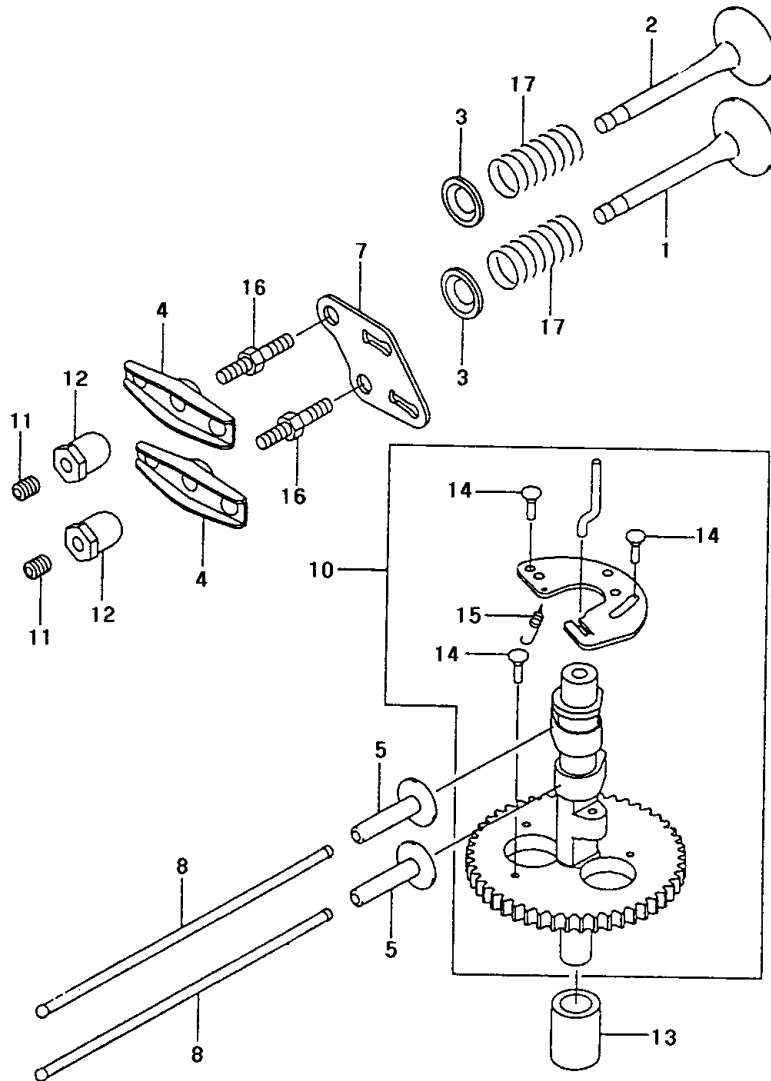
Number	Part Number	Name	Quantity
1	17924	CRANKSHAFT	1,000
2	17925	PISTON	1,000
3	17926	PIN - PISTON	1,000
4	17927	RING SET	1,000
5	17928	GEAR	1,000
6	17929	RING SHAP	1,000
7	17930	ROD-ASSY-CONNECTING	1,000
8	17749	SCREW	1,000
9	17931	WASHER 28X40X0,5	1,000
10	17932	PIN	1,000
11	71127	KEY 4,8X6,5X15,72	1,000

KAWASAKI OHV FC 180 V



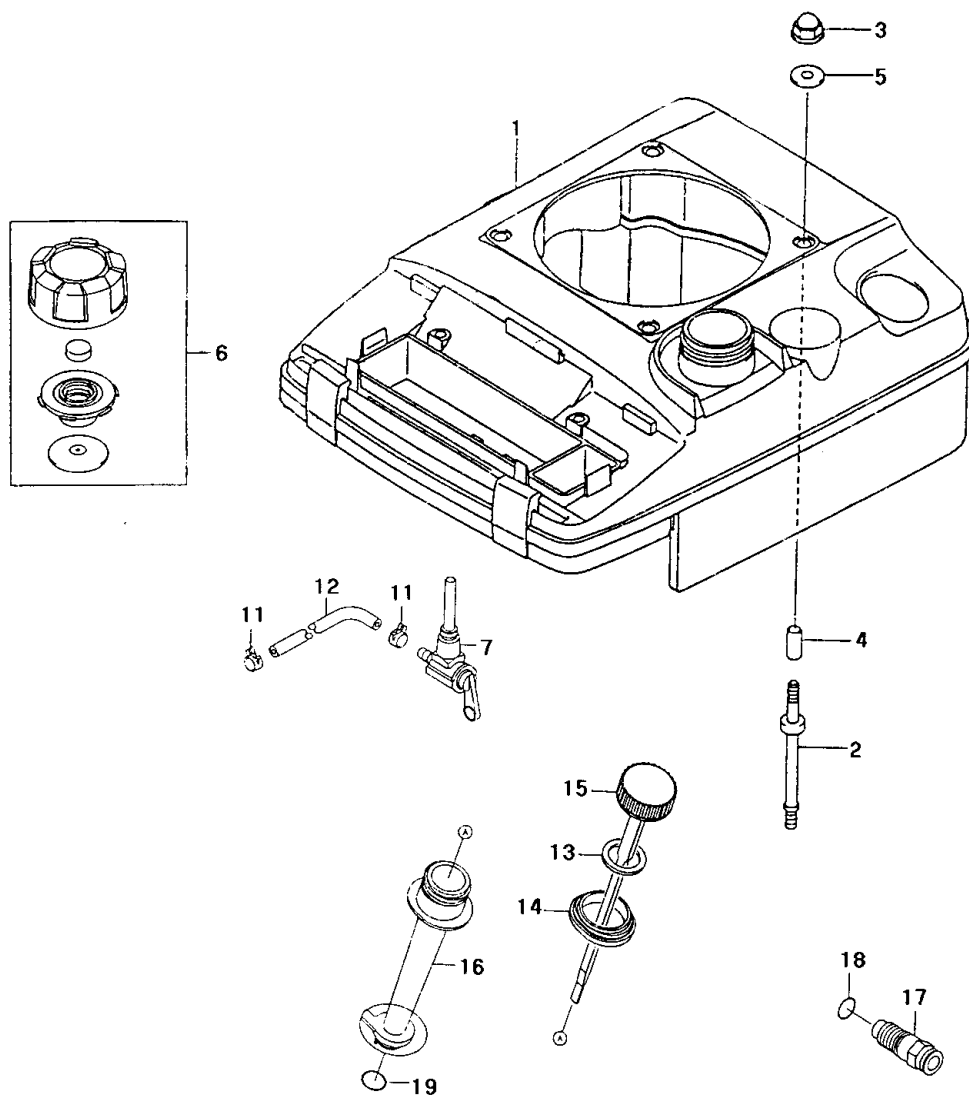
Number	Part Number	Name	Quantity
1	17934	INTAKE VALVE	1,000
2	17935	EXHAUST VALVE	1,000
3	17756	THRUST WASHER	1,000
4	17757	ROCKER ARM	1,000
5	17758	TAPET	1,000
7	17937	GUIDE	1,000
8	17760	PUSH ROD	1,000
10	17940	CAMSHAFT COMPLETE	1,000
11	17941	SCREW	1,000
12	17765	GUIDE NUT	1,000
13	17943	SPACER 12,5X19X24,9	1,000
14	17766	PIN	1,000
15	17945	SPRING	1,000
16	17946	SCREW	1,000
17	17762	VALVE SPRING	1,000

KAWASAKI OHV FC 180 V



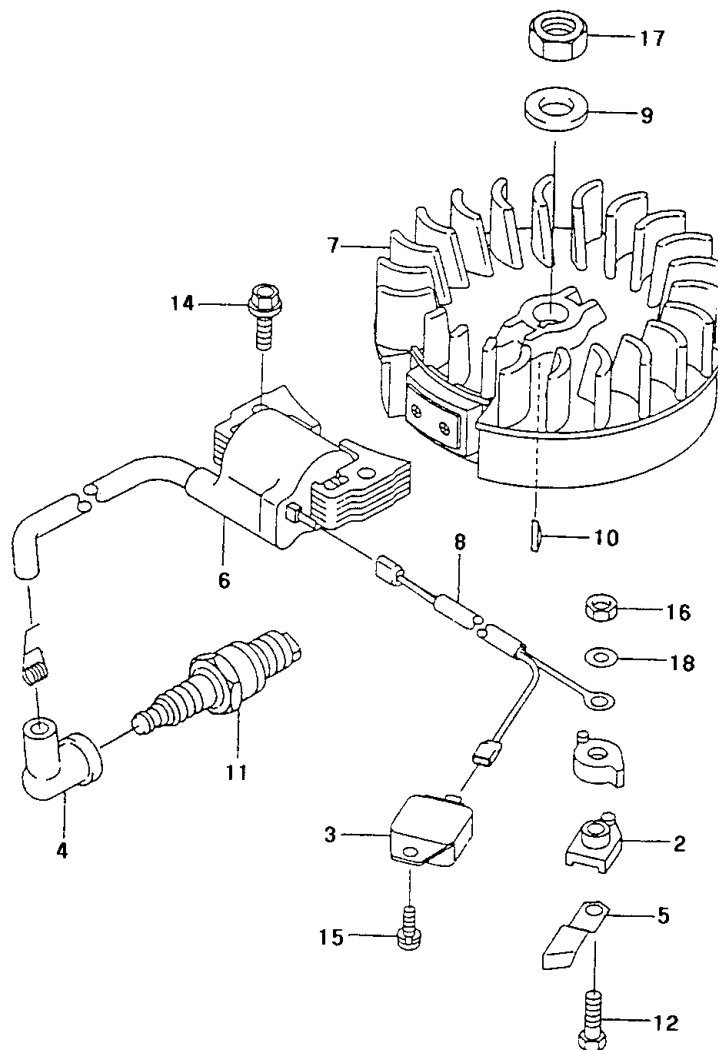
Number	Part Number	Name	Quantity
1	17948	FUEL TANK COVER	1,000
2	18054	STUD	1,000
3	17775	CAP NUT	1,000
4	17777	SPACER 6,2X7,8X17	1,000
5	71096	WASHER B6,4	1,000
6	17951	FUEL TANK CAP	1,000
7	17952	VALVE	1,000
11	17956	CUP	1,000
12	17957	PIPE 5 X 10 X 223	1,000
13	15682	GASKET	1,000
14	17959	GUIDE	1,000
15	17960	OIL GAUGE	1,000
16	17961	FILLER	1,000
17	17962	PLUG	1,000
18	15367	O-RING	1,000
19	15686	O-RING	1,000

KAWASAKI OHV FC 180 V



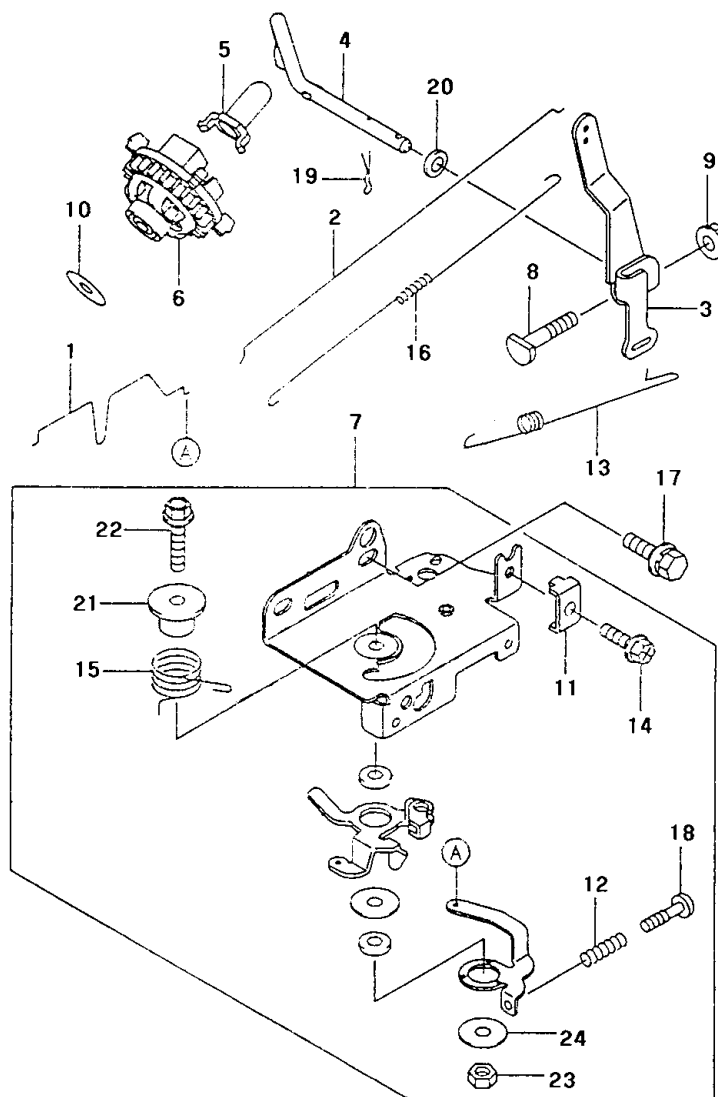
Number	Part Number	Name	Quantity
2	17964	ISOLATOR	1,000
3	17790	IGNITER	1,000
4	15722	SPARK PLUG CAP	1,000
5	17791	SOCKET	1,000
6	18060	IGNITION COIL	1,000
7	17965	FLYWHEEL	1,000
8	17966	LOAD WIRE	1,000
9	17795	WASHER	1,000
10	17796	KEY	1,000
11	3861	SPARK PLUG D.14X19R	1,000
12	71025	SCREW HM5X18	1,000
14	17727	SCREW	1,000
15	17799	SCREW	1,000
16	71200	SCREW M5	1,000
17	17798	FLYWHEEL NUT	1,000
18	17637	WASHER PLAIN	1,000

KAWASAKI OHV FC 180 V

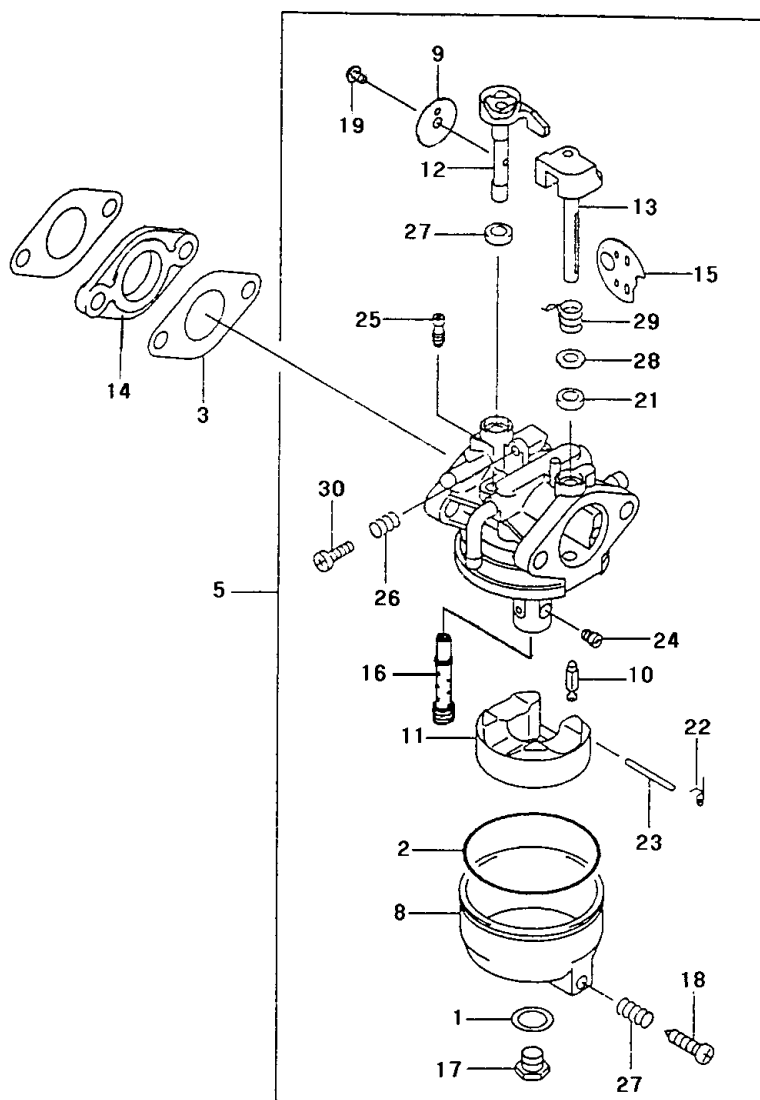


Number	Part Number	Name	Quantity
1	17968	STARTER ROD	1,000
2	17969	GOVERNOR ROD	1,000
3	17970	LEVER	1,000
4	17971	GOVERNOR SHAFT	1,000
5	15356	GOVERNOR BEARING	1,000
6	17972	GOVERNOR ASSY	1,000
7	17973	PANEL-COMP-CONTROL	1,000
8	15744	BOLT	1,000
9	15646	NUT	1,000
10	15360	FLAT WASHER	1,000
11	17808	CUP	1,000
12	15346	SPRING	1,000
13	17974	SPRING	1,000
14	15753	SCREW	1,000
15	17975	SPRING	1,000
16	17976	SPRING	1,000
17	17811	SCREW	1,000
18	17812	ADJUST SCREW	1,000
19	15358	COTTER PIN	1,000
20	17587	WASHER	1,000
21	17977	RING	1,000
22	17978	SCREW	1,000
23	71201	NUT M6	1,000
24	17979	WASHER	1,000

KAWASAKI OHV FC 180 V



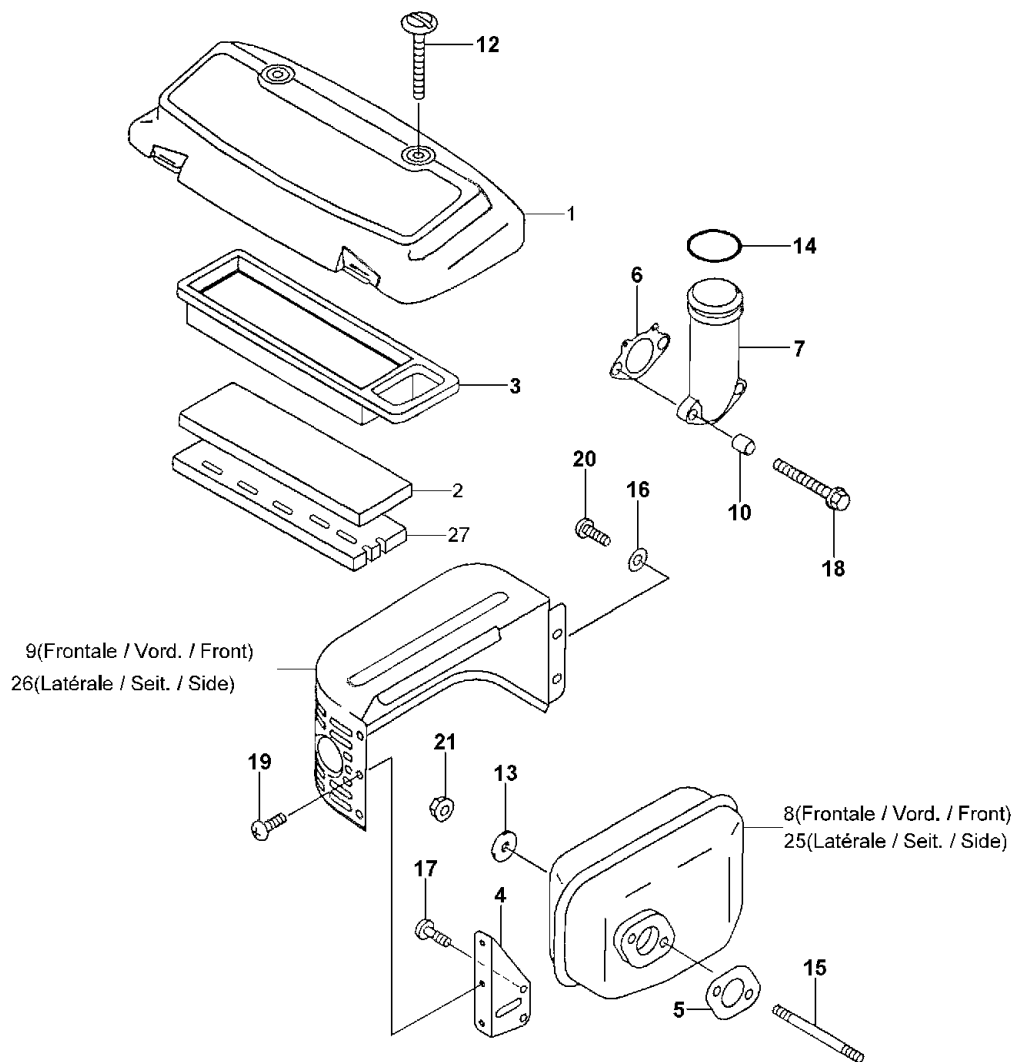
Number	Part Number	Name	Quantity
1	17981	GASKET	1,000
2	17982	GASKET	1,000
3	17983	CARBURETOR GASKET	1,000
5	17980	CARBURETOR DS54	1,000
8	17988	FLOAT CHAMBER	1,000
9	17989	THROTTLE VALVE	1,000
10	17990	FLOAT SPINDLE	1,000
11	17996	FLOAT	1,000
12	17992	CARB.THROTTLE SHAFT	1,000
13	17993	CARBUR.CHOKE SHAFT	1,000
14	17994	ISOLATOR	1,000
15	17995	CHOKE VALVE	1,000
16	17986	MAIN NOZZLE	1,000
17	17997	FLOAT CHAMBER SCREW	1,000
18	17998	BLEED SCREW	1,000
19	17999	SCREW	1,000
21	18001	DICHTUNG	1,000
22	18002	SPRING	1,000
23	18003	FLOAT SHAFT	1,000
24	18010	JET 84	1,000
25	18005	JET 44	1,000
26	18006	SPRING	1,000
27	18007	SPRING	1,000
28	18008	GASKET	1,000
29	18009	SPRING	1,000
30	17619	SCREW	1,000



Number	Part Number	Name	Quantity
1	18011	COVER	1,000
2	18012	PRE - FILTER	1,000
3	18013	FILTER	1,000
4	17849	STRAP	1,000
5	18015	GASKET	1,000
6	18016	GASKET	1,000
7	18017	INTAKE PIPE	1,000
8	17853	MUFFLER FRONT EXIT	1,000
9	17854	MUFFLER COVER FRONT	1,000
10	17855	SPACER 6,2X7,8X8	1,000
12	17857	SCREW	1,000
13	17858	WASHER 7X21X2,3	1,000
14	18019	O - RING	1,000
15	17860	PIN	1,000
16	17637	WASHER PLAIN	1,000
17	17862	SCREW	1,000
18	18018	SCREW	1,000
19	15819	SCREW	1,000
20	15604	SCREW	1,000
21	15646	NUT	1,000
25	18075	MUFFLER SIDE EXIT	1,000
26	18076	MUFFLER COVER SIDE	1,000
27	18014	PREFILTER	1,000

KAWASAKI FC180V

254.01



09/2008

Number	Part Number	Name	Quantity
1	18021	STARTER CPLT	1,000
2	18022	SCREEN	1,000
3	17883	INSERT	1,000
4	18024	STARTING PULLEY	1,000
5	18025	CASE RECOIL STARTER	1,000
6	18026	PAWL	1,000
7	18027	PAWL SUPPORT	1,000
8	17888	HANDLE	1,000
9	18029	PULLEY	1,000
10	7842	ROPE 3 X 2150 MM	1,000
11	18031	SCREW	1,000
13	18033	BACK SPRING	1,000
14	18034	CIRCLIP	1,000
15	17895	SPRING	1,000

