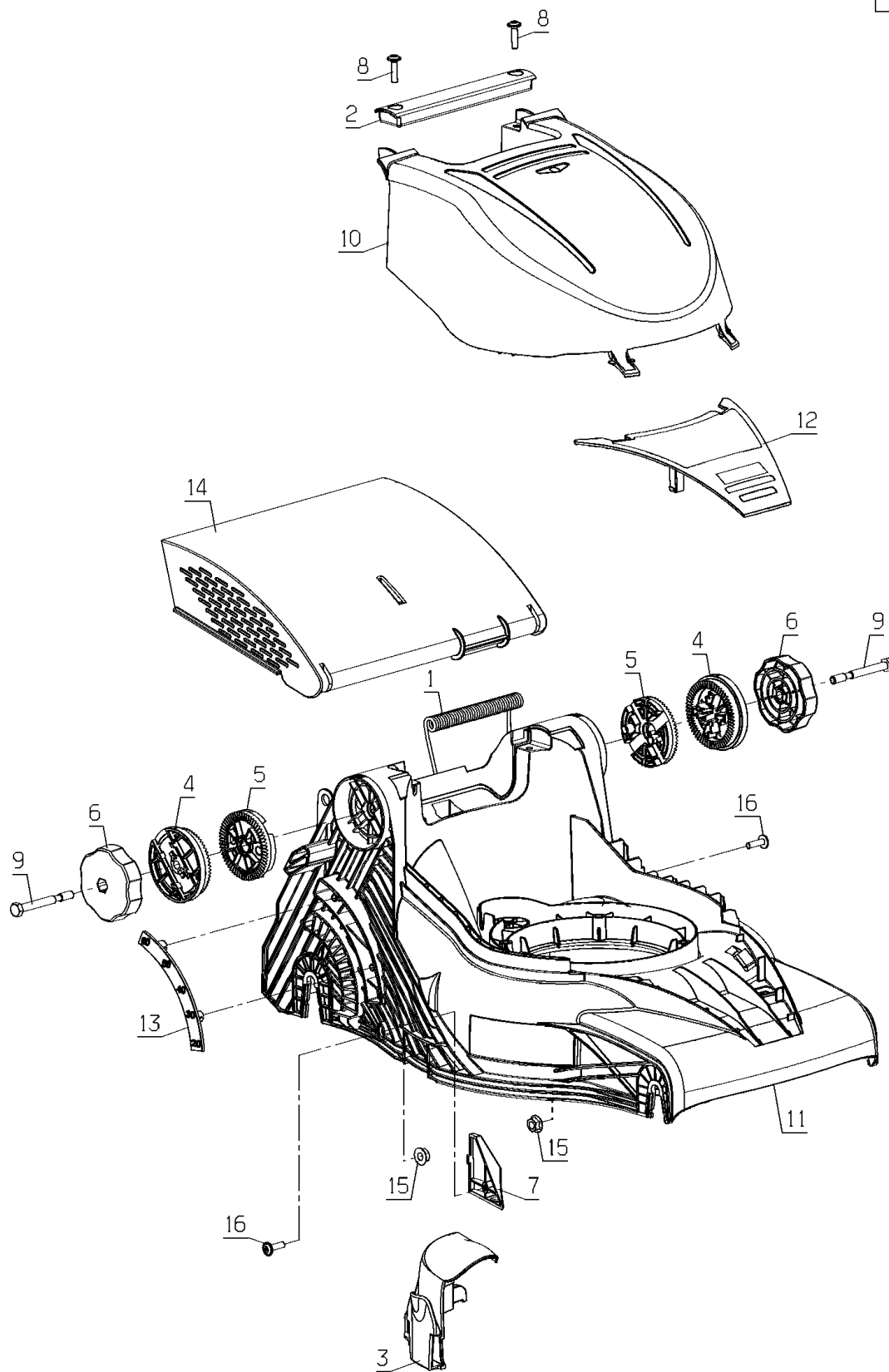


Number	Part Number	Name	Quantity
1	39011	SPRING	1,000
2	39018	TRANSPORT GRIP	1,000
3	39021	SEALING PLATE	1,000
4	39037	FLANGE	1,000
5	39038	FLANGE	1,000
6	39041	BOTTOM	1,000
7	39195	BASE PLATE BLACK	1,000
8	39451	SCREW K60X25/22	1,000
9	39459	SCREW HM8X75	1,000
10	51219	COVER 37CM CPLT	1,000
11	51228	CUTTING DECK 37CM	1,000
12	51231	FRONT COVER+STICKER	1,000
13	51241	INDICATOR	1,000
14	51243	DEFLECTOR	1,000
15	71076	NUT VERBUS HM8	1,000
16	71365	SCREW WN145160X20	1,000

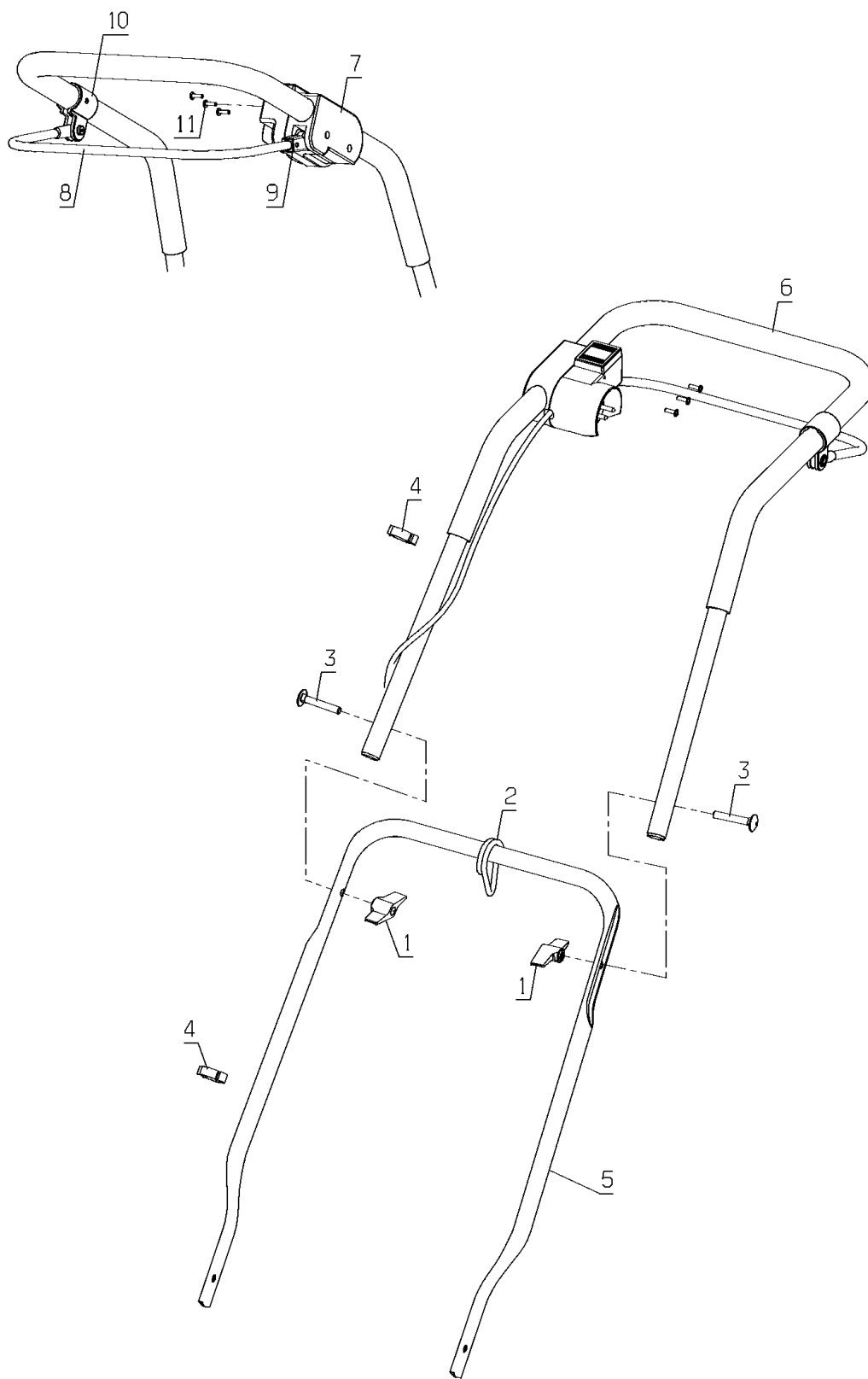
PL02070



12/2013

Number	Part Number	Name	Quantity
1	24610	BUTTON (SMALL)	1,000
2	21123	SAFETY RING	1,000
3	21513	BOLT M8X50	1,000
4	22097	CLIP D.20MM	1,000
5	39030	LOW. HANDLEBAR	1,000
6	39031	UP. HANDLEBAR	1,000
7	39039	STAND.EXCHAN.SWITCH	1,000
8	39042	CONTACT LEVER	1,000
9	39043	-> 39039	1,000
10	39047	COLLAR	1,000
11	71299	SCREW EJPT KA 40X14	1,000

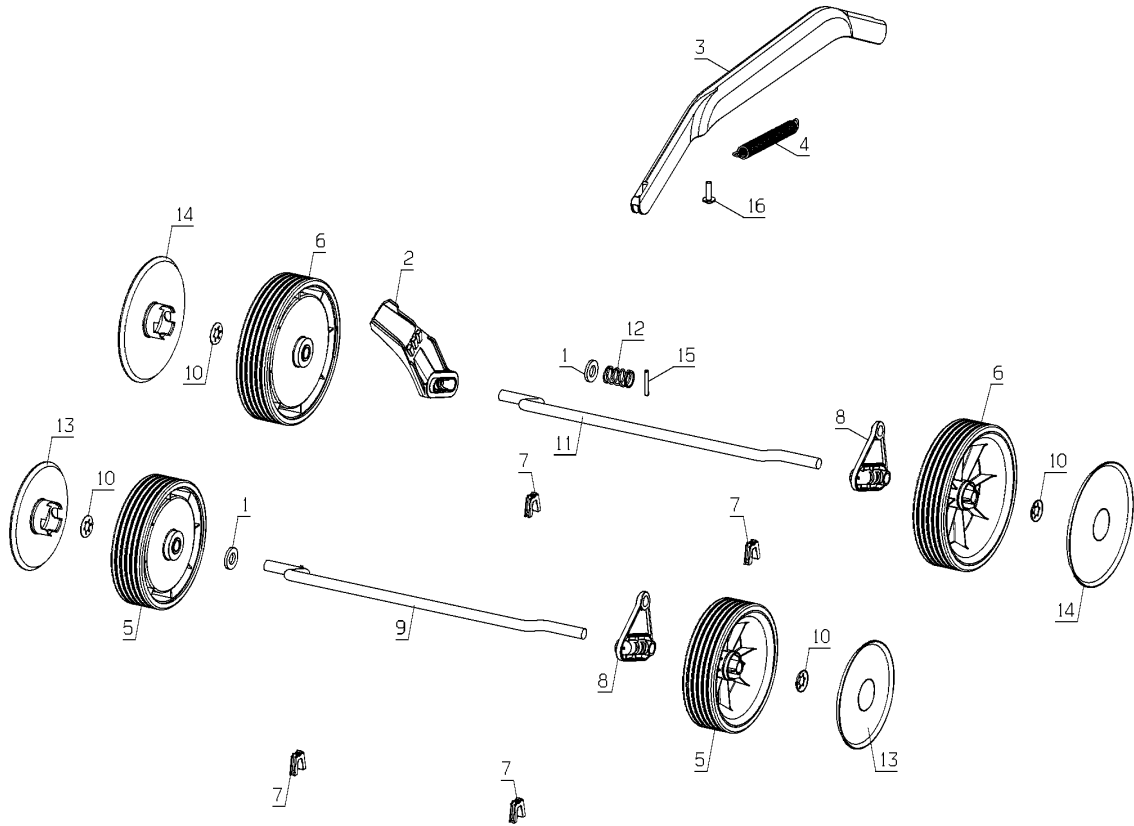
PL02071



12/2013

Number	Part Number	Name	Quantity
1	1560	FLAT WASHER 13X25X3	1,000
2	39014	LEVER	1,000
3	39015	LINKING ROD	1,000
4	39022	SPRING	1,000
5	39023	WHEEL DIAM. 150	1,000
6	39025	WHEEL DIAM. 170	1,000
7	39027	CLIP	1,000
8	39028	ARM	1,000
9	39029	STRAP	1,000
10	39040	TRUARC COLLAR 12	1,000
11	39419	STRAP	1,000
12	43065	SPRING	1,000
13	51254	WHEEL CAP DIAM.150	1,000
14	51255	WHEEL CAP DIAM.170	1,000
15	71014	SPIRAL PIN,DIN 1481	1,000
16	71365	SCREW WN145160X20	1,000

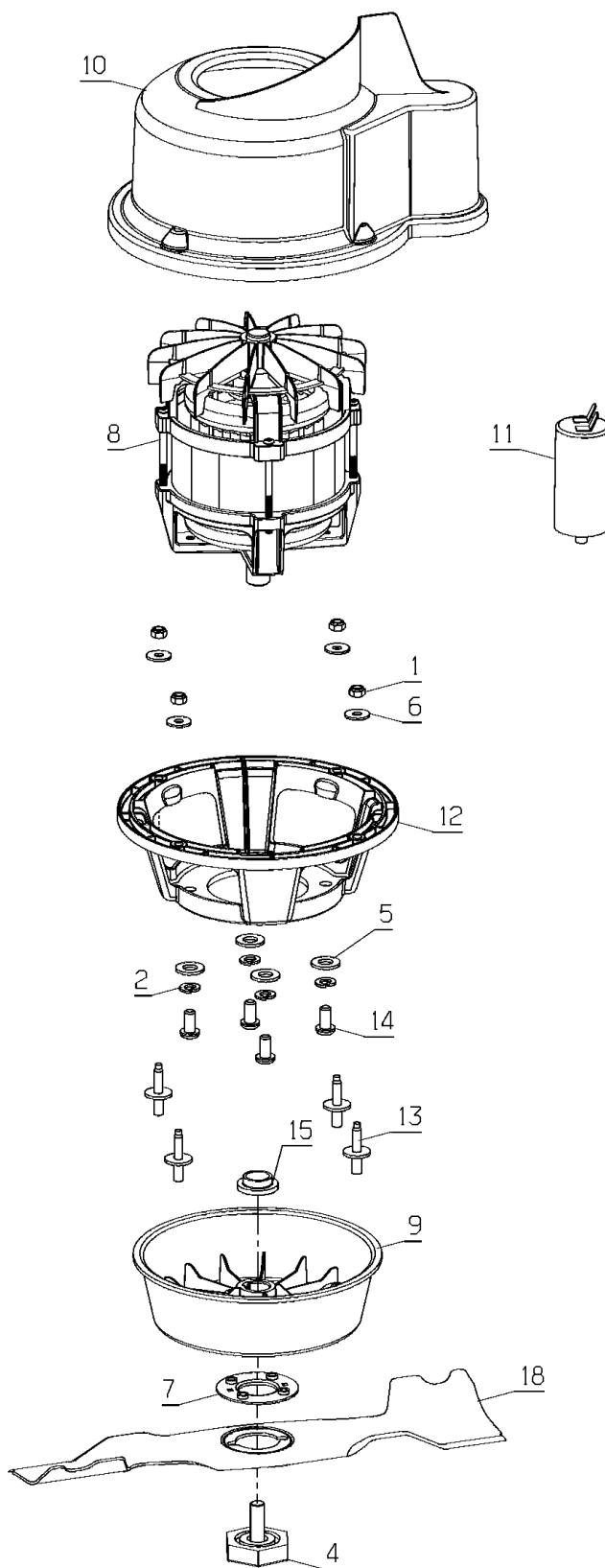
PL02072



12/2013

Number	Part Number	Name	Quantity
1	71201	NUT M6	1,000
2	6416	WASHER	1,000
3	7907	KEY	1,000
4	20512	SCREW	1,000
5	21036	FLAT WASHER 10.5	1,000
6	21270	WASHER 6,4	1,000
7	23002	SHEAR WASHER	1,000
8	38763	ELEC. ENGINE 1300W	1,000
9	39012	FLYWHEEL	1,000
10	39016	REPRESSION COVER	1,000
11	39032	-> 20603	1,000
12	39090	ENGINE BRACKET	1,000
13	50153	THREADED PIN K70-15	1,000
14	50617	SCREW M8X16	1,000
15	51261	BUSH	1,000
16	51393	BLADE COUPLING	1,000
17	GOUPILLE	GOUPILLE	1,000
18	MZ37E	BLADE 37 CM	1,000

PL02073

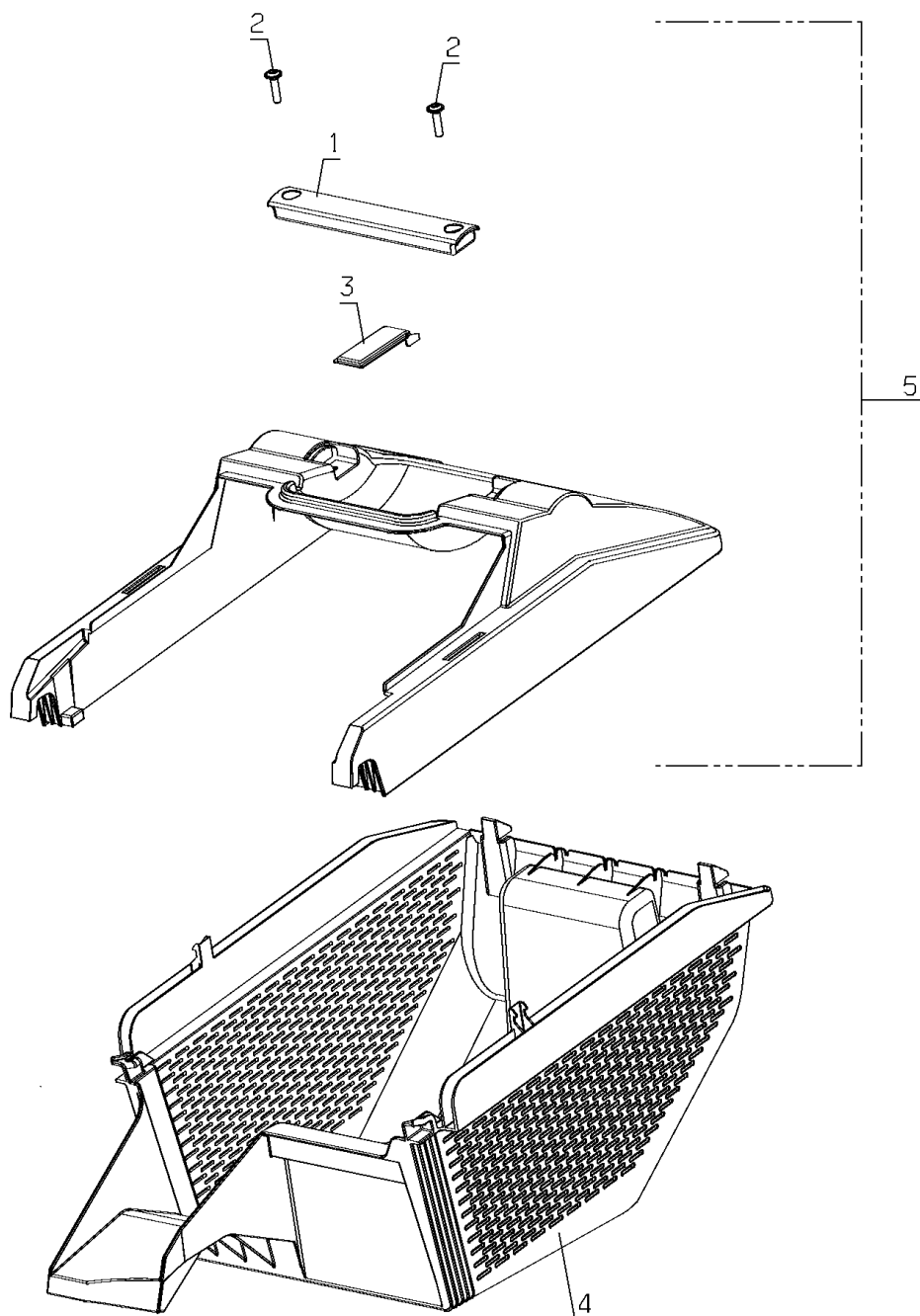


12/2013



Number	Part Number	Name	Quantity
1	39018	TRANSPORT GRIP	1,000
2	39451	SCREW K60X25/22	1,000
3	41608	INDICATOR FILLING	1,000
4	51218	LOWER GRASBOX WHITE	1,000
5	51242	UP. GRASBOX	1,000

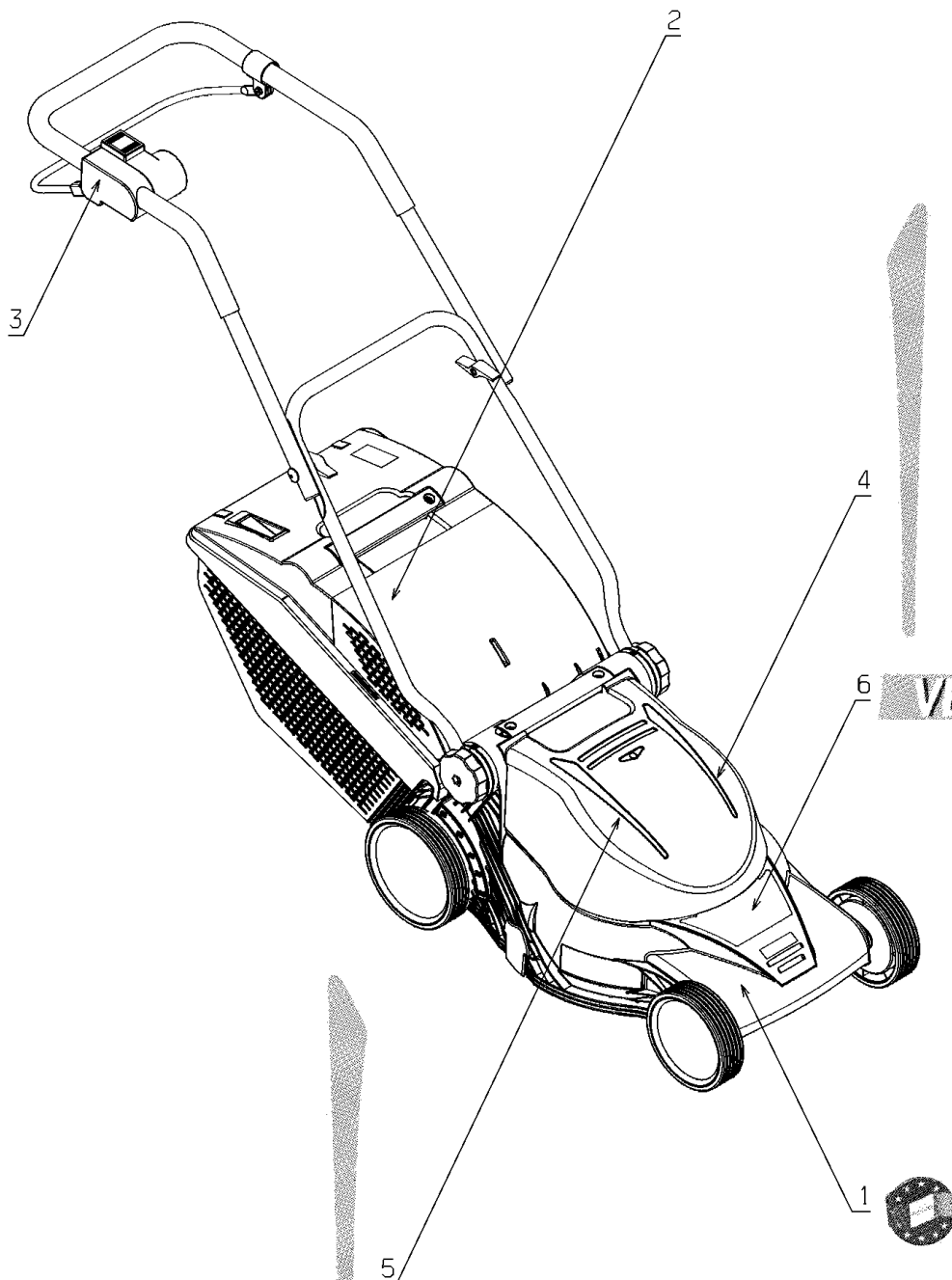
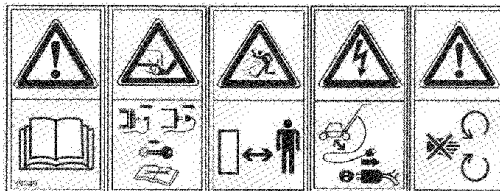
PL02074



12/2013

Number	Part Number	Name	Quantity
1	38728	STICKER FRANCE/EURO	1,000
2	39049	STICKER	1,000
3	50145	STICKER	1,000
4	50226	50226	1,000
5	50227	STOP	1,000
6	51231	FRONT COVER+STICKER	1,000

PL02075



12/2013