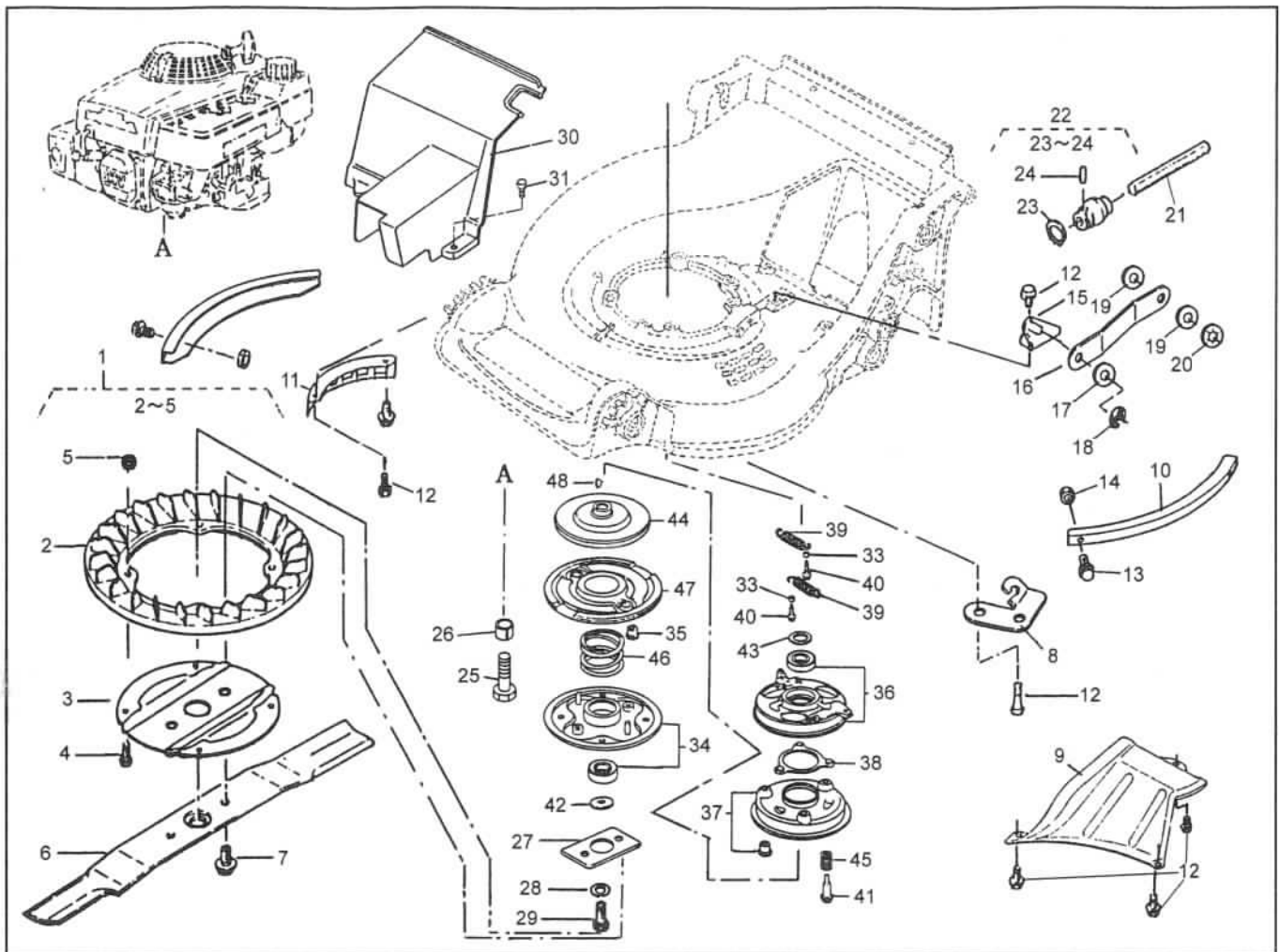


PARTS LIST

MODEL : LM4840HXR

46013-979

REF. No.	PARTS No.		PARTS NAME	WHEEL		1/2	RECOMM.(%) Lot.100	REMARKS
				Q'TY INCLUDING	PRICE()			
1	51043	146 42	HOUSING	1			3	
2	11142	112	ADJUSTER	1			3	
3	11142	113	ADJUSTER	1			3	
4	71041	103	WHEEL ASSY	2			-	
5	91086	102	TIRE	2			15	
6	36107	102	WHEEL	2			3	
7	932L	0696	BEARING		4		5	
8	36070	110	CAP	2			3	
9	68036	101	WASHER	2			3	
10	664V	0626	WAVE SPRING WASHER	2			5	M6 × 26
11	31057	181	HEXAGON BOLT	3			3	
12	11150	101 09	ADJUST LEVER	2			5	
13	36061	121	KNOB	3			3	
14	31057	132 181	HEXAGON BOLT <i>31057-132</i>	2			10	
15	569L	0800	FLANGE NYLON NUT	4			10	M6
16	11113	294	STAY	1			3	
17	11113	295	STAY	1			3	
18	342J	0612	FLANGE BOLT TAPPING	4			3	M6 × 12
19	11142	110	ADJUSTER	1			3	
20	11142	121	ADJUSTER	1			3	
21	36099	121	ROLLER	1			5	
22	36099	122	ROLLER	1			5	
23	91020	131	KEY	1			5	
24	11150	104 09	ADJUST LEVER	1			5	
25	31057	200	HEXAGON BOLT	2			10	
26	68013	265	SPRING	1			3	
27	36065	404	COVER	1			3	

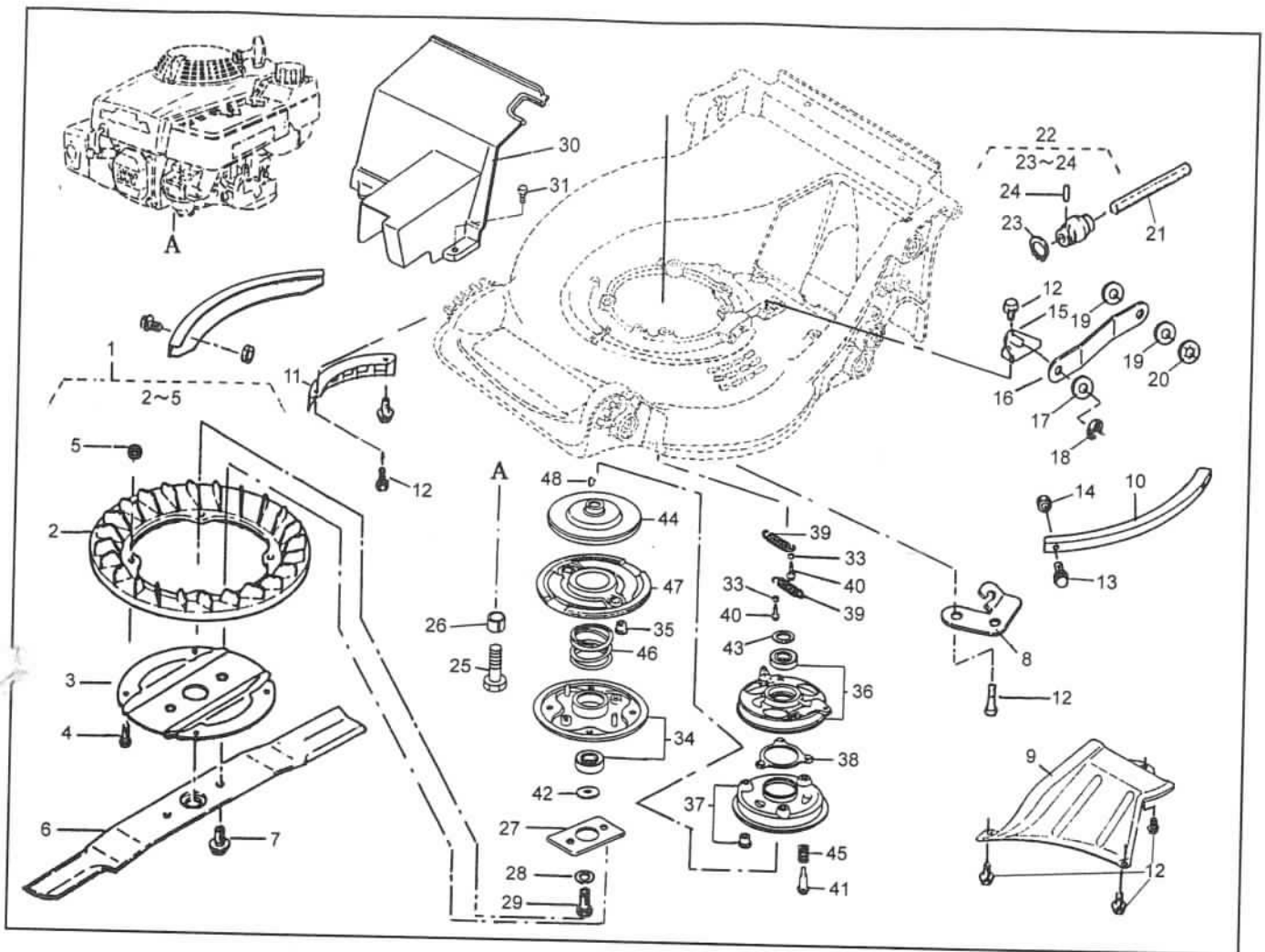


PARTS LIST

MODEL : LM4840HXR

46013-979

REF. No.	PARTS No.		PARTS NAME	GRASS-CUTTING		1/2		REMARKS
				QTY INCLUDING	PRICE()	RECOMM.(%) Lot.100	Mar.26.2002	
1	71082	111	FAN ASSY	1		-		
2	51125	103	FAN	1		5		
3	11102	151	HOLDER	1		5		
4	31062	169	PRE-COAT LOCK BOLT	4		5		
5	579L	0600	FLANGE NUT	4		5		
6	91014	165	BLADE	1		15		
7	31057	197	HEXAGON BOLT	2		15		
8	51002	118	WIRE HOLDER	1		3		
9	36065	400	COVER	1		10		
10	51090	128 09	PROTECTOR	2		5		
11	36065	180	COVER	1		3		
12	342J	0612	FLANGE BOLT TAPPING	9		3		M6 × 12
13	335L	0616	FLANGE BOLT	4		5		M6 × 16
14	512L	0600	HEXAGON NUT	4		3		M6
15	11006	113	STAY C.P.	1		5		
16	91049	126	CONNECTOR	1		5		
17	611L	1000	WASHER	1		3		M10
18	816V	0800	E-SNAP RING	1		5		φ8
19	68001	110	FIBER WASHER	2		5		
20	576V	1000	PUSH NUT	1		5		φ10
21	64014	240	SHAFT	1		3		
22	91097	101	UNIVERSAL JOINT	1		3		
23	812V	2000	C-SNAP RING FOR SHAFT	1		1		φ20
24	717B	0418	PARALLEL PIN	1		5		φ4 × 18
25	31057	243	FLANGE BOLT	4		3		
26	61024	142	SPACER	2		3		
27	61024	208	SPACER	1		3		

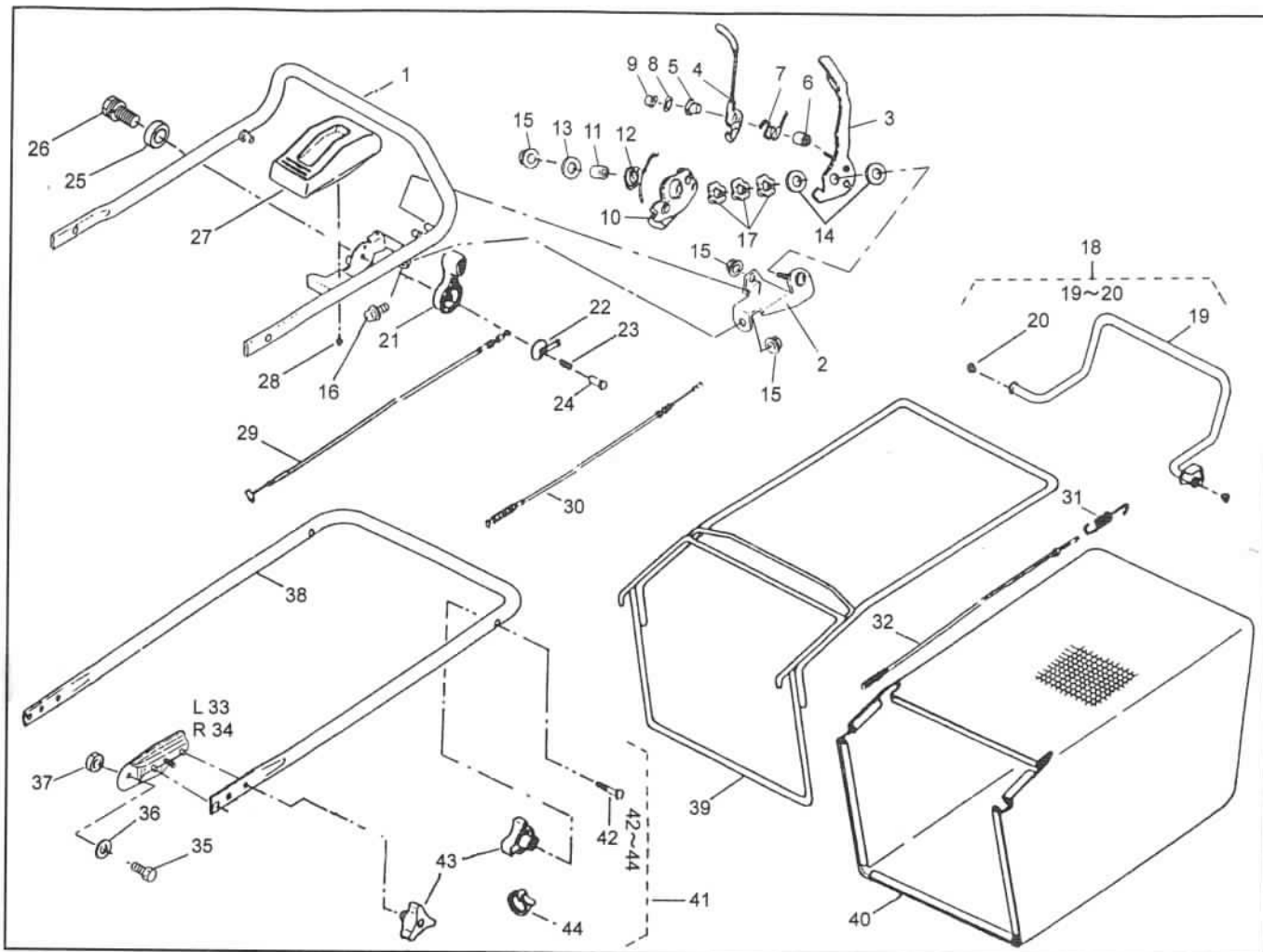


PARTS LIST

MODEL : LM4840HXR

46013-979

REF. No.	PARTS No.		PARTS NAME	GRASS-CUTTING		2/2	REMARKS
				Q'TY INCLUDING	PRICE()	RECOMM.(%) Lot.100	
28	671V	1000	CONICAL SPRING WASHER	1		3	
29	31057	196	HEXAGON BOLT	1		3	
30	36065	398	COVER	1		3	
31	342L	0616	FLANGE BOLT TAPPING	1		3	
32	71067	106	BRAKE ASSY	1		3	M6 x 16
33	19512	883 000	FAN COLLAR	2		-	
34	72600	VA4 010	BLADE HOLDER ASSY	1		3	
35	72613	VA4 000	BLADE HOLDER BUSH	2		5	
36	75090	VA4 020	BALL CONTROL PLATE	1		10	
37	75100	VA4 010	BRAKE C.P.	1		3	
38	75110	VA4 000	BALL RETAINER C.P.	1		10	
39	75182	VA3J 001	CLUTCH RETURN SPRING	2		5	
40	90014	952 000	FLANGE BOLT	4		3	
41	90021	VA4 000	SPECIAL BOLT	3		3	
42	90409	952 000	WASHER	1		3	
43	90501	952 010	THRUST WASHER	1		3	
44	75130	VA4 000	DRIVE DISK	1		3	
45	75132	VA4 000	BRAKE HOLDER SPRING	3		5	
46	75183	VA3J 000	CLUTCH SPRING	1		3	
47	75150	VA3J 01	DRIVEN DISK C.P.	1		3	
48	94401	16150	WOOD RUFF KEY	1		15	

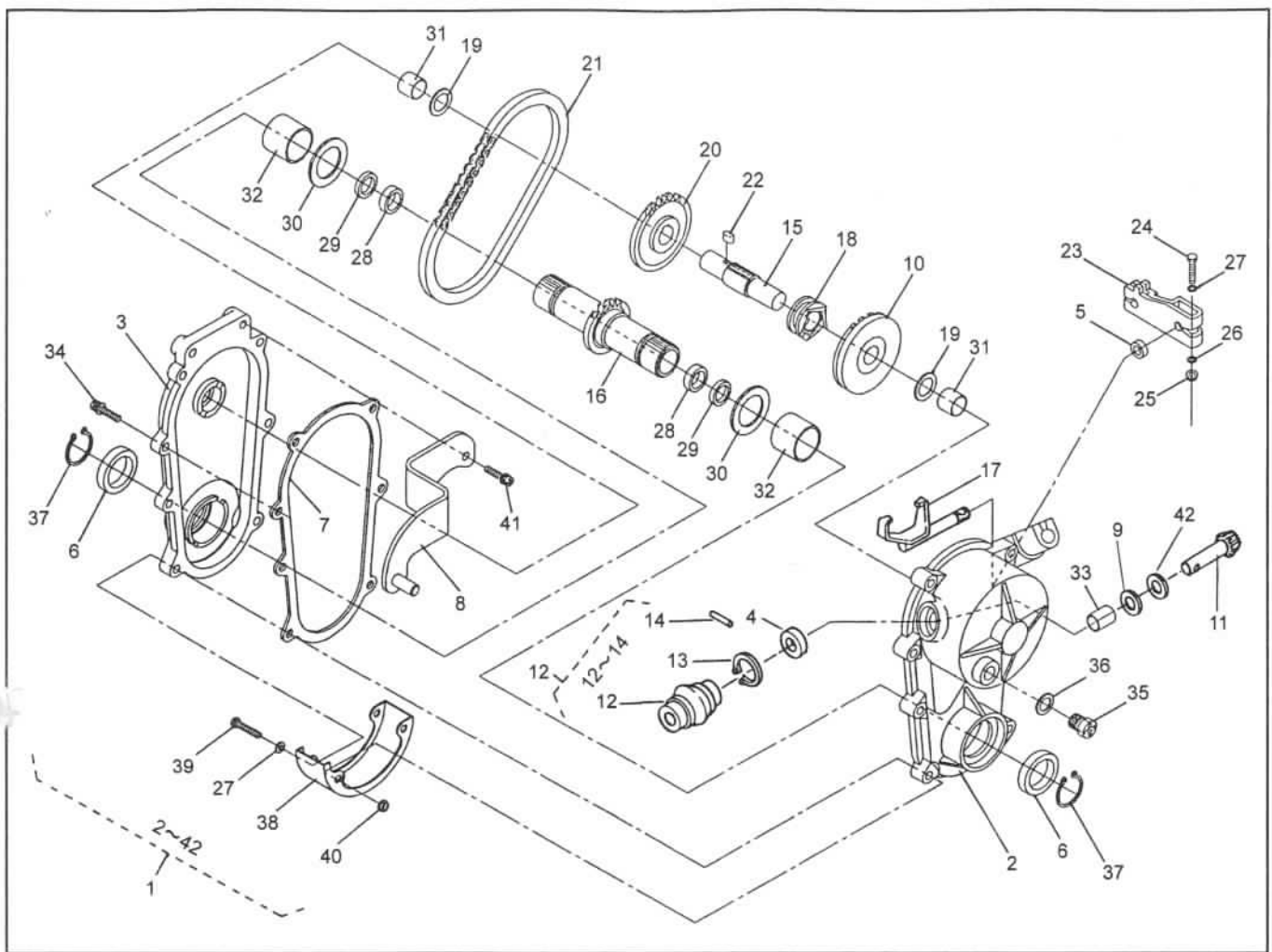


PARTS LIST

MODEL : LM4840HXR

46013-980

REF. No.	PARTS No.		PARTS NAME	HANDLE		1/2	RECOMM.(%) Lot.100	Mar.26,2002	REMARKS
				QTY	PRICE()				
1	51027	222	HANDLE	1			3		
2	11113	396 09	STAY	1			5		
3	11095	160 09	LEVER	1			10		
4	11095	161 09	LEVER	1			10		
5	76007	131	BUSH	1			10		
6	61024	206	SPACER	1			5		
7	68013	334	SPRING	1			5		
8	68036	198	WASHER	1			3		
9	563L	0600	U-HEXAGON CAP NUT	1			5		M6
10	11109	108	LINK	1			5		
11	61024	207	SPACER	1			10		
12	68013	335	SPRING	1			10		
13	68036	262	WASHER	1			5		
14	68036	200	WASHER	2			5		
15	569L	0800	FLANGE NYLON NUT	3			5		M8
16	335L	0820	FLANGE BOLT	1			3		M8 x 20
17	664J	1600	WAVE SPRING WASHER	3			3		M16
18	71161	111 09	LEVER ASSY	1			-		
19			LEVER	1			-		
20	76007	131	BUSH	2			15		
21	91010	169	THROTTLE LEVER	1			10		
22	61003	113	THRUST PLATE	1			5		
23	68013	160	SPRING	1			3		
24	31058	107	HEXAGON NUT	1			3		
25	68036	125	WASHER	1			3		
26	318L	0612	(+)HEXAGON BOLT(SW)	1			5		
27	71900	691	COVER ASSY	1			3		



PARTS LIST

MODEL : SLM4840HXR

46013-980

REF. No.	PARTS No.		PARTS NAME	GEAR CASE		1/2	RECOMM.(%) Lot.100	REMARKS
				Q'TY INCLUDING	PRICE()			
1	71008	269	GEAR CASE ASSY	1		-		
2	51001	243	GEAR CASE	1		3		
3	51001	244	GEAR CASE	1		3		
4	61002	161	OIL SEAL	1		5		SD 10 20 5
5	61002	162	OIL SEAL	1		5		SD 8 14 4
6	61002	188	OIL SEAL	2		5		SD 28 38 6
7	61019	189	PACKING	1		5		
8	11006	116	STAY C.P.	1		3		
9	61003	109	THRUST PLATE	1		3		
10	78001	136	BEVEL GEAR	1		3		
11	78003	111	PINION	1		3		
12	91097	101	UNIVERSAL JOINT	1		3		
13	812V	2000	C-SNAP RING FOR SHAFT		1	1		φ 20
14	717B	0418	PARALLEL PIN		1	3		φ 4 × 18
15	64014	242	SHAFT	1		3		
16	64014	243	SHAFT	1		3		
17	11097	106	SHIFTER FORK	1		3		
18	11129	107	CLUTCH	1		3		
19	61024	118	SPACER	2		3		
20	36112	115	SPROCKET	1		3		
21	91074	107	CHAIN	1		3		
22	91020	147	KEY	1		3		
23	11104	153	ARM	1		3		
24	311M	0630	(+)HEXAGON BOLT	1		3		M6 × 30
25	571L	0600	FLANGE NUT	1		3		M6
26	613L	0600	PLAIN WASHER	1		3		M6
27	611L	0600	PLAIN WASHER	3		3		M6

