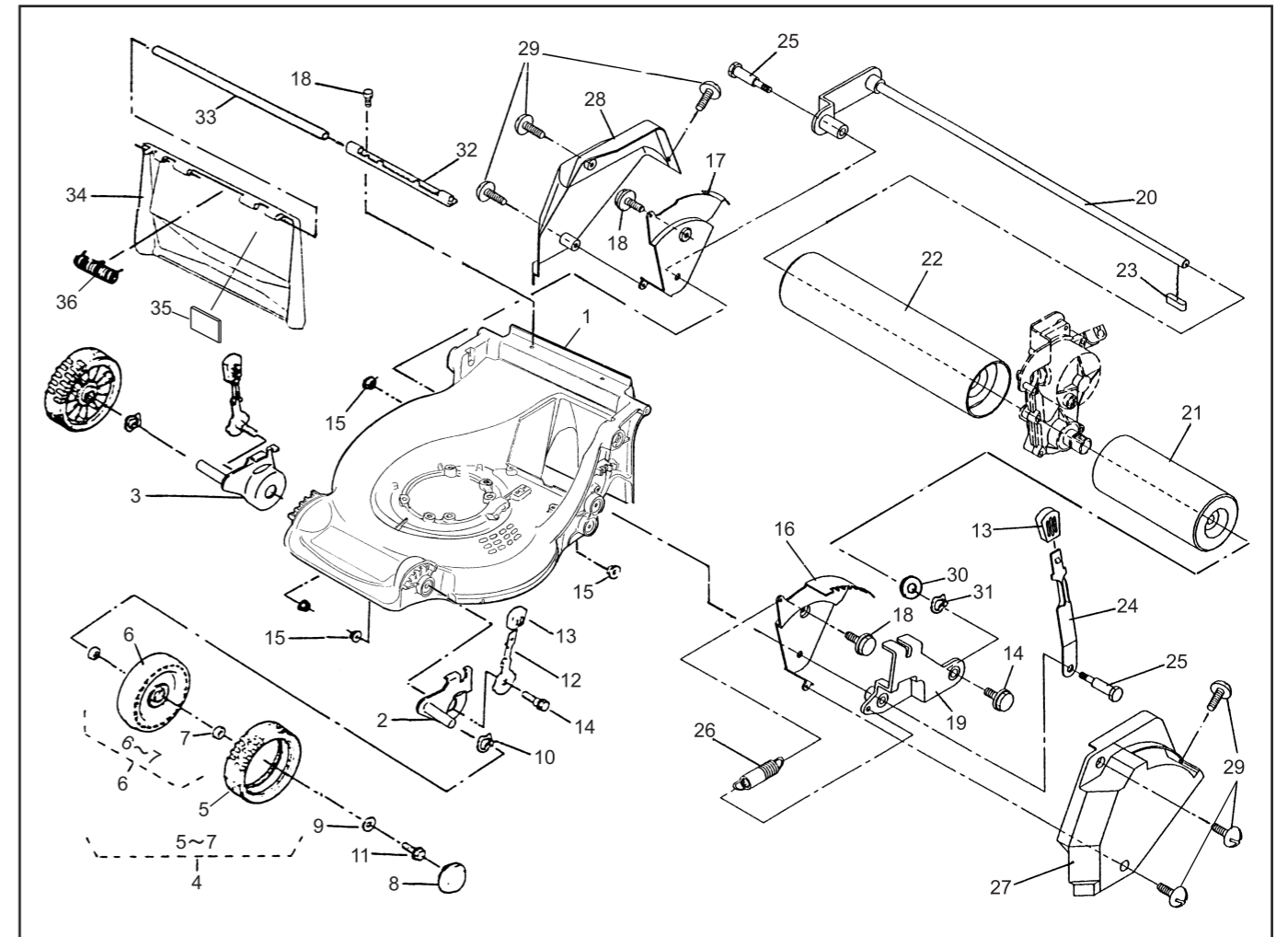


PARTS LIST

MODEL : LM4850KXR (KAAZ)

46014-285

REF. No.	PARTS No.	PARTS NAME	WHEEL		1/2	RECOMM.(%) Lot.100	REMARKS
			Q'TY INCLUDING	PRICE()			
1	51043 146 42	HOUSING	1		3		
2	11142 112	ADJUSTER	1		3		
3	11142 113	ADJUSTER	1		3		
4	71041 103	WHEEL ASSY	2		-		
5	91086 102	TIRE	2		15		
6	36107 102	WHEEL	2		3		
7	932L 0696	BEARING		4	5		
8	36070 110	CAP	2		3		
9	68036 101	WASHER	2		3		
10	664V 0626	WAVE SPRING WASHER	2		5		M6 × 26
11	31057 181	HEXAGON BOLT	3		3		
12	11150 101 09	ADJUST LEVER	2		5		
13	36061 121	KNOB	3		3		
14	31057 132	HEXAGON BOLT	2		10		
15	569L 0800	FLANGE NYLON NUT	4		10		M6
16	11113 294	STAY	1		3		
17	11113 295	STAY	1		3		
18	342L 0612	FLANGE BOLT TAPPING	4		3		M6 × 12
19	11142 110	ADJUSTER	1		3		
20	11142 121	ADJUSTER	1		3		
21	36099 121	ROLLER	1		5		
22	36099 122	ROLLER	1		5		
23	91020 131	KEY	1		5		
24	11150 104 09	ADJUST LEVER	1		5		
25	31057 200	HEXAGON BOLT	2		10		
26	68013 265	SPRING	1		3		
27	36065 404	COVER	1		3		

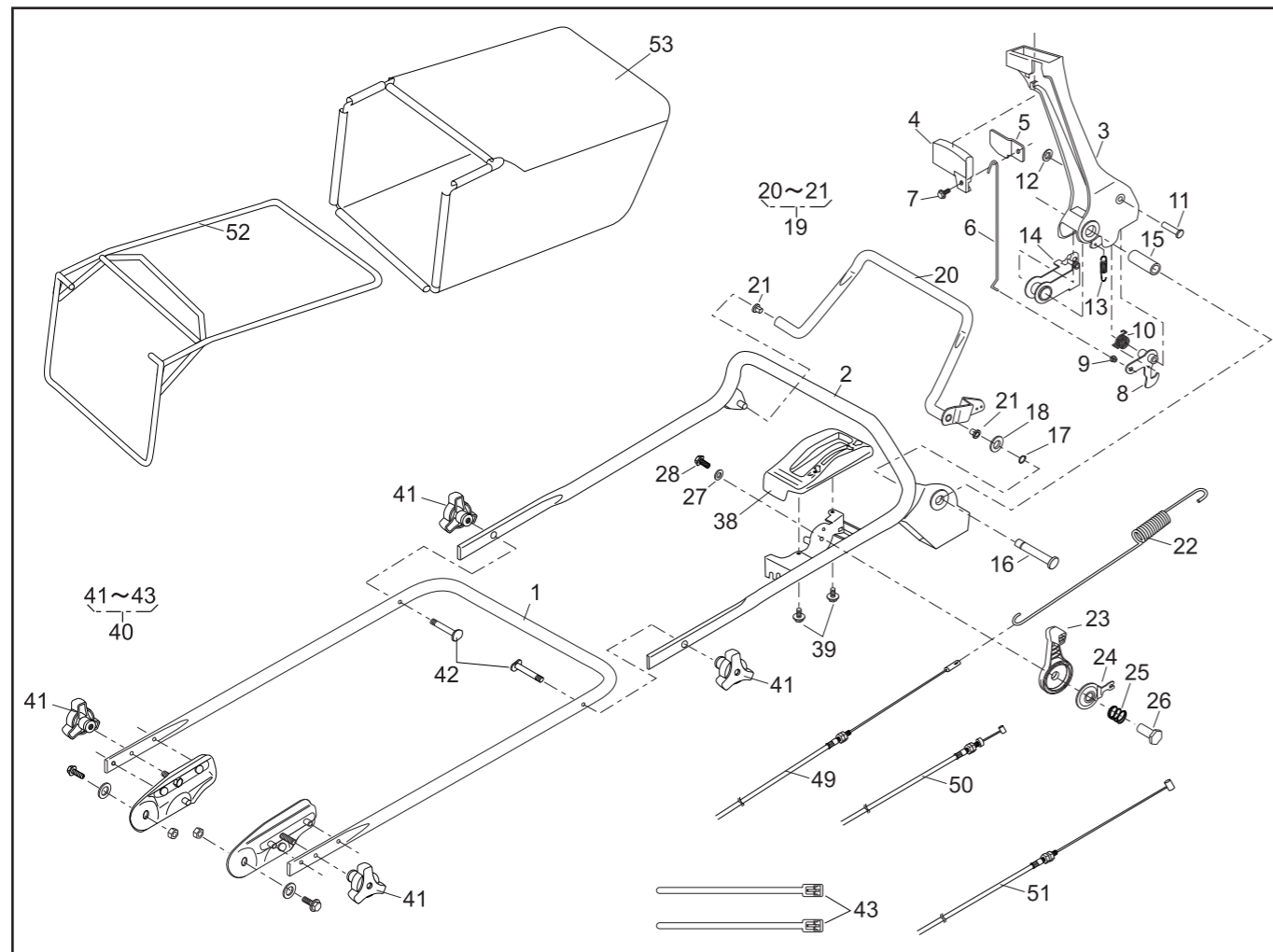


PARTS LIST

MODEL : LM4850KXR (KAAZ)

46014-285

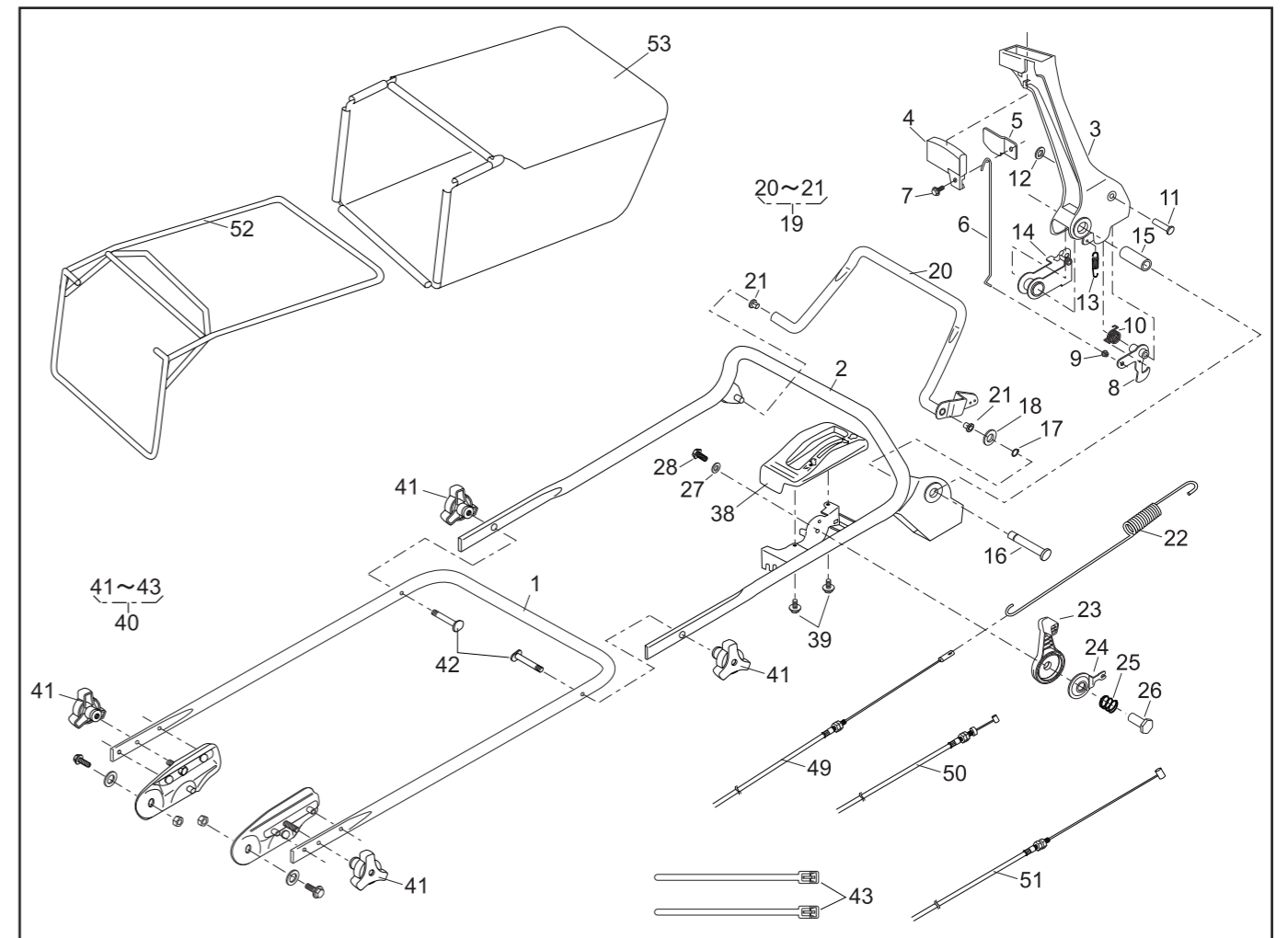
REF. No.	PARTS No.	PARTS NAME	WHEEL		2/2	RECOMM.(%) Lot.100	REMARKS
			Q'TY INCLUDING	PRICE()			
28	36065 405	COVER	1		3		
29	475L 0516	(+)TAPPING SCREW	6		3		M5 × 16
30	61024 118	SPACER	0~2		3		
31	664V 0016	WAVE SPRING WASHER	0~2		3		
32	11113 292	STAY	1		3		
33	64014 324	SHAFT	1		3		
34	36068 188 46	GUARD	1		3		
35	36080 149	RUBBER SHEET	1		10		
36	68013 336	SPRING	1		3		



PARTS LIST

46014-304-00

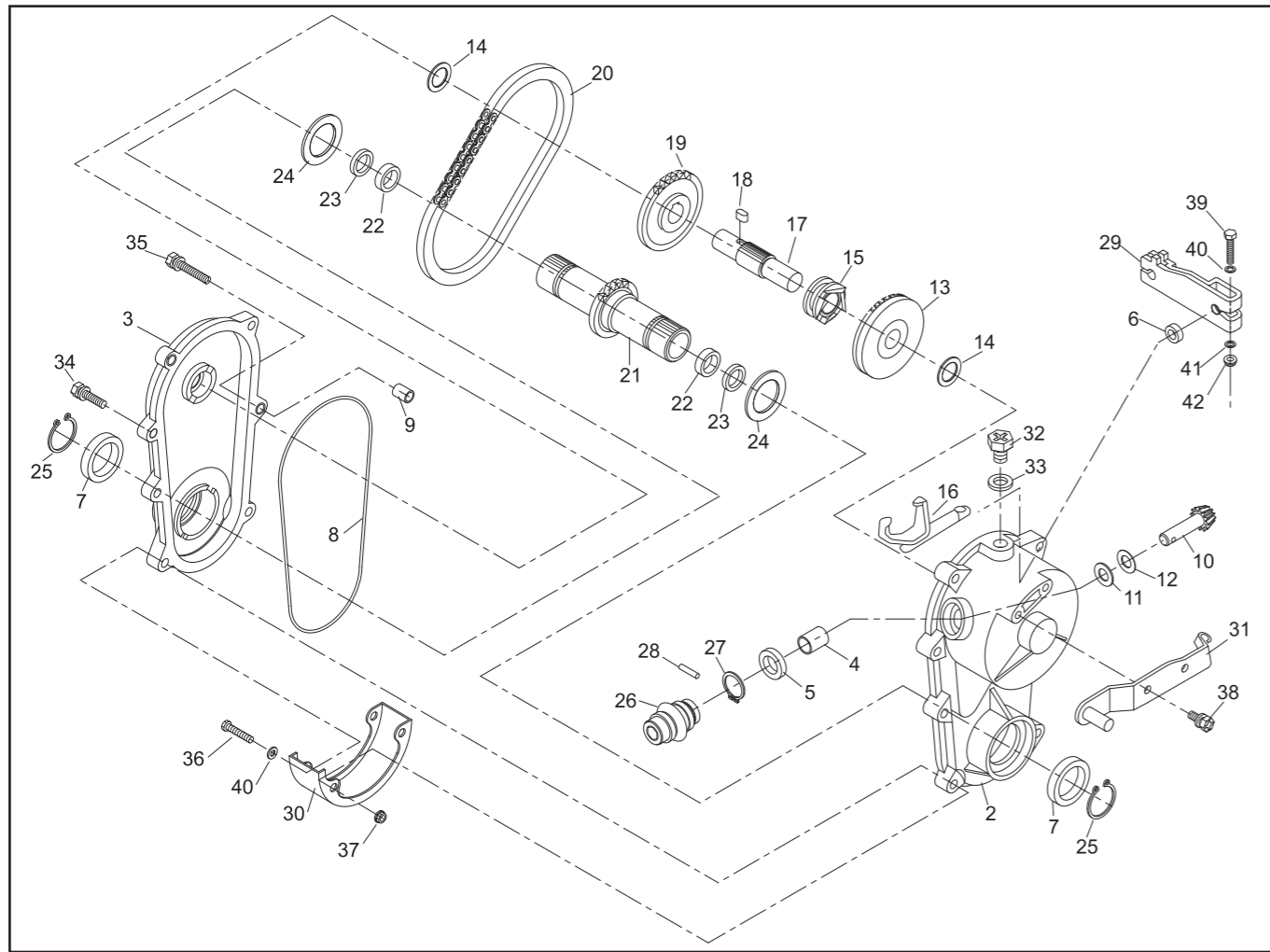
REF. No.	PARTS No.	PARTS NAME	HANDLE-ROLLER		1/2	RECOMM.(%) Lot.100	REMARKS
			Q'TY INCLUDING	PRICE()			
1	51027 146	HANDLE	1				
2	51027 255	HANDLE	1				
3	11095 172	LEVER(BBC)	1				
4	36110 102	BUTTON	1				
5	11049 109	SLIDE PLATE	1				
6	64014 336	SHAFT	1				
7	335N 0612	FLANGE BOLT	1				
8	71203 135	ARM C.P.	1				
9	76007 183	BUSH	1				
10	68013 371	SPRING	1				
11	31056 127	GIB-HEADED PIN	1				
12	576V 0600	PUSH NUT	1				
13	68013 372	SPRING	1				
14	11109 111	LINK	1				
15	61023 190	SLEEVE	1				
16	64014 337	SHAFT	1				
17	812V 0800	C-SNAP RING FOR SHAFT	1				
18	613L 0800	WASHER	1				
19	71161 114 09	LEVER ASSY	1				
20		LEVER	1				
21	76007 131	BUSH	2				
22	68013 382	SPRING	1				
23	91010 147	THROTTLE LEVER(FC150V/FC180V)	1				
24	61003 113	THRUST PLATE	1				
25	68013 356	SPRING	1				
26	31058 168	NUT	1				
27	68036 125	WASHER	1				
28	318L 0612	(+)HEX.BOLT(SW)	1				



PARTS LIST

46014-304-00

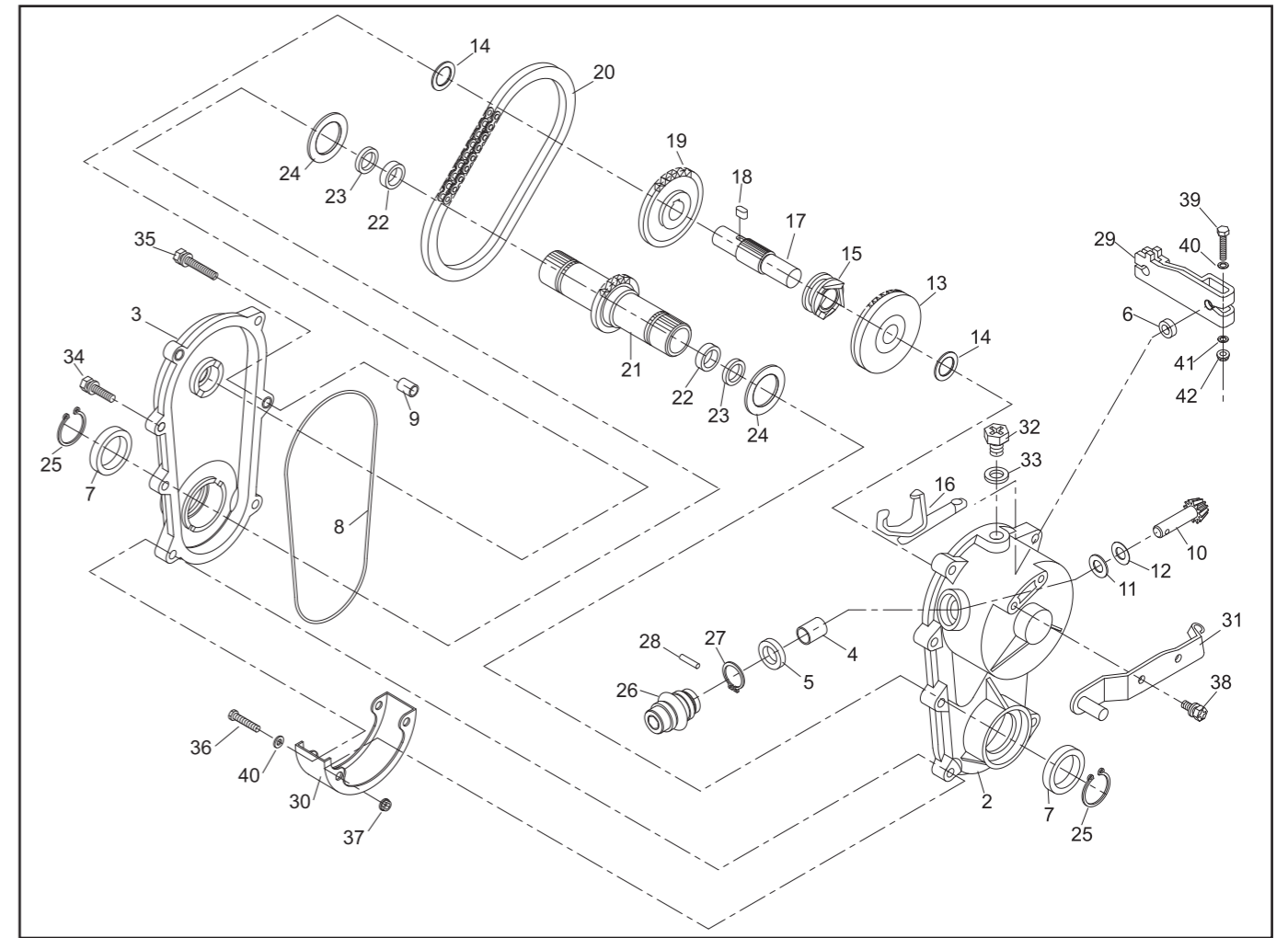
REF. No.	PARTS No.	PARTS NAME	HANDLE-ROLLER		2/2	RECOMM.(%) Lot.100	REMARKS
			Q'TY INCLUDING	PRICE()			
29							
30							
31							
32							
33							
34							
35							
36							
37							
38	71900 795	COVER ASSY	1				
39	470L 0514	(+)TAPPING SCREW	2				
40	71052 119	BOLT SET	1				
41	36061 118	KNOB	4				
42	31057 134	BOLT	2				
43	68028 103	WIRE BAND	2				
44							
45							
46							
47							
48							
49	91003 165	CONTROL CABLE	1				
50	91001 182	THROTTLE WIRE(FC150V)	1				
51	91003 177	CONTROL CABLE(BBC)	1				
52	11062 174	FRAME C.P.	1				
53	36098 133	GRASS BAG C.P.(KAAZ)	1				
54							
55							
56							



PARTS LIST
GEAR CASE ASSY (71008-369)

46014-265

REF. No.	PARTS No.	PARTS NAME	GEAR CASE		1/2		Feb.07,2005	
			Q'TY INCLUDING	PRICE()	RECOMM.(%) Lot.100	REMARKS		
1	71008 369	GEAR CASE ASSY	1		-			
2	51001 279	GEAR CASE(L)	1		3			
3	51001 280	GEAR CASE(R)	1		3			
4	76007 167	BUSH	1		3			
5	61002 161	OIL SEAL	1		5		SD 10 20 5	
6	61002 162	OIL SEAL	1		5		SD 8 14 4	
7	61002 188	OIL SEAL	2		5		SD 28 38 6	
8	214B 1350	O-RING	1		5			
9	11083 201	COLLAR	2		3			
10	78003 130	PINION	1		5			
11	61003 109	THRUST PLATE	1		3			
12	68007 132	SIM	0-2		5			
13	78001 162	BEVEL GEAR	1		3			
14	61024 118	SPACER	2		3		$\phi 16.2 \times \phi 24 \times t1$	
15	11129 107	CLUTCH	1		3			
16	11097 106	SHIFTER FORK	1		5			
17	64014 242	SHAFT	1		3			
18	91020 147	KEY	1		3			
19	36112 115	SPROCKET	1		3			
20	91074 107	CHAIN	1		3			
21	64014 243	SHAFT	1		3			
22	927B 1512	NEEDLE BEARING	2		3		FJ1512	
23	61002 189	OIL SEAL	2		5		SO 15 21 3	
24	61024 171	SPACER	2		3		$\phi 28.2 \times \phi 36 \times t1$	
25	812V 2800	C-SNAP RING FOR SHAFT	2		3		$\phi 28$	



PARTS LIST
GEAR CASE ASSY (71008-369)

46014-265

REF. No.	PARTS No.	PARTS NAME	GEAR CASE		2/2		Feb.07,2005	
			Q'TY INCLUDING	PRICE()	RECOMM.(%) Lot.100	REMARKS		
26	91097 101	UNIVERSAL JOINT	1		3			
27	812V 2000	C-SNAP RING FOR SHAFT	1		3		$\phi 20$	
28	717B 0418	PARALLEL PIN	1		3		$\phi 4 \times 18$	
29	11104 169	ARM	1		3			
30	36065 311	COVER	1		3			
31	11006 148	STAY C.P.	1		5			
32	31057 126	HEXAGON BOLT	1		3			
33	68001 110	FIBER WASHER	1		3			
34	315L 0625	(+)HEXAGON BOLT(SW,PW)	3		3		M6 x 25	
35	315L 0630	(+)HEXAGON BOLT(SW,PW)	2		3		M6 x 30	
36	322L 0635	(+)HEXAGON BOLT	2		3		M6 x 35	
37	580L 0600	FLANGE LOCK NUT	2		3		M6	
38	315L 0616	(+)HEXAGON BOLT(SW,PW)	2		3		M6 x 16	
39	311M 0630	(+)HEXAGON BOLT	1		3		M6 x 30 8T	
40	611L 0600	PLAIN WASHER	3		3		M6	
41	613L 0600	PLAIN WASHER	1		3		M6	
42	571L 0600	FLANGE NUT	1		3		M6	

