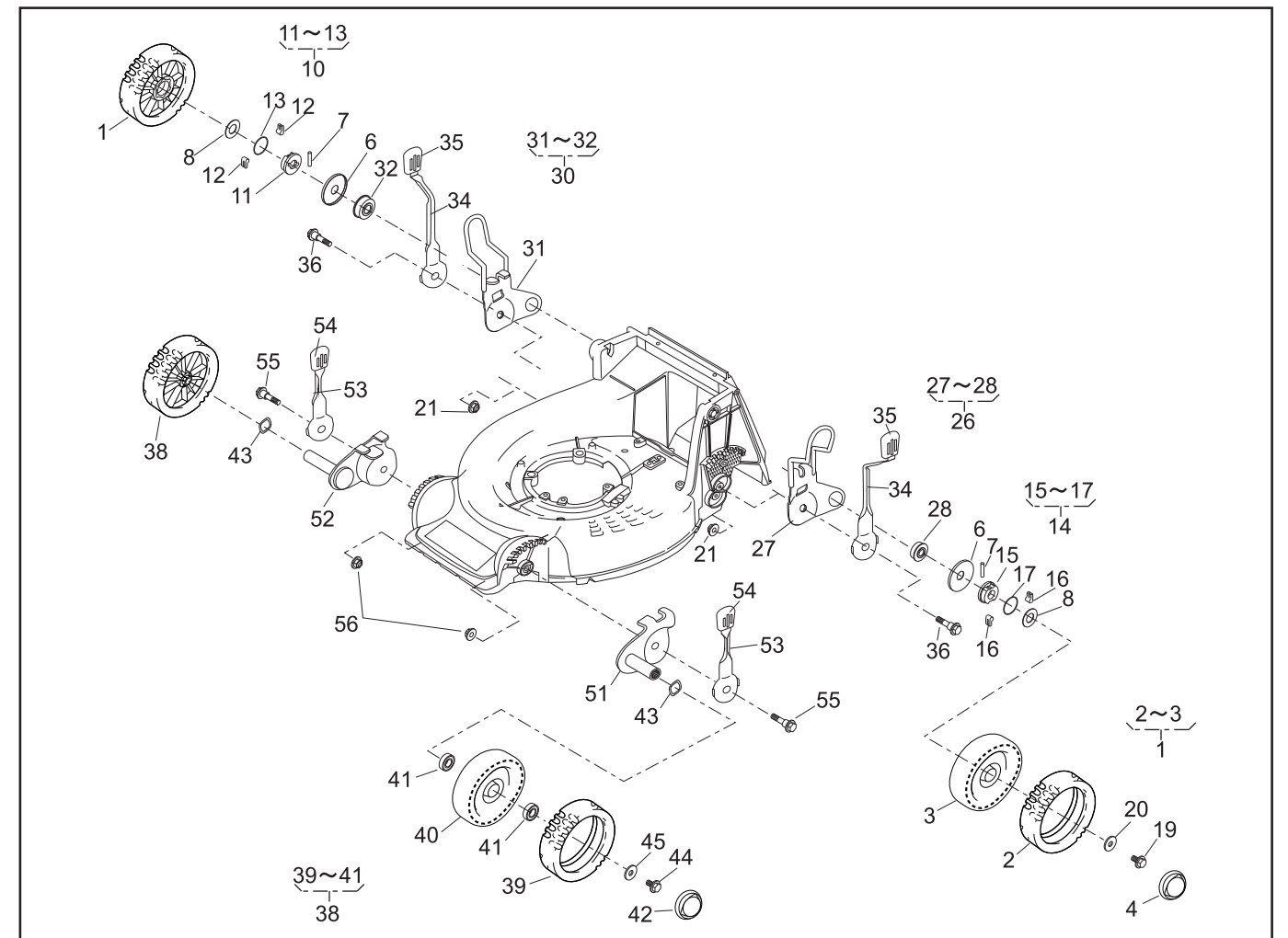


PARTS LIST

46014-369-00

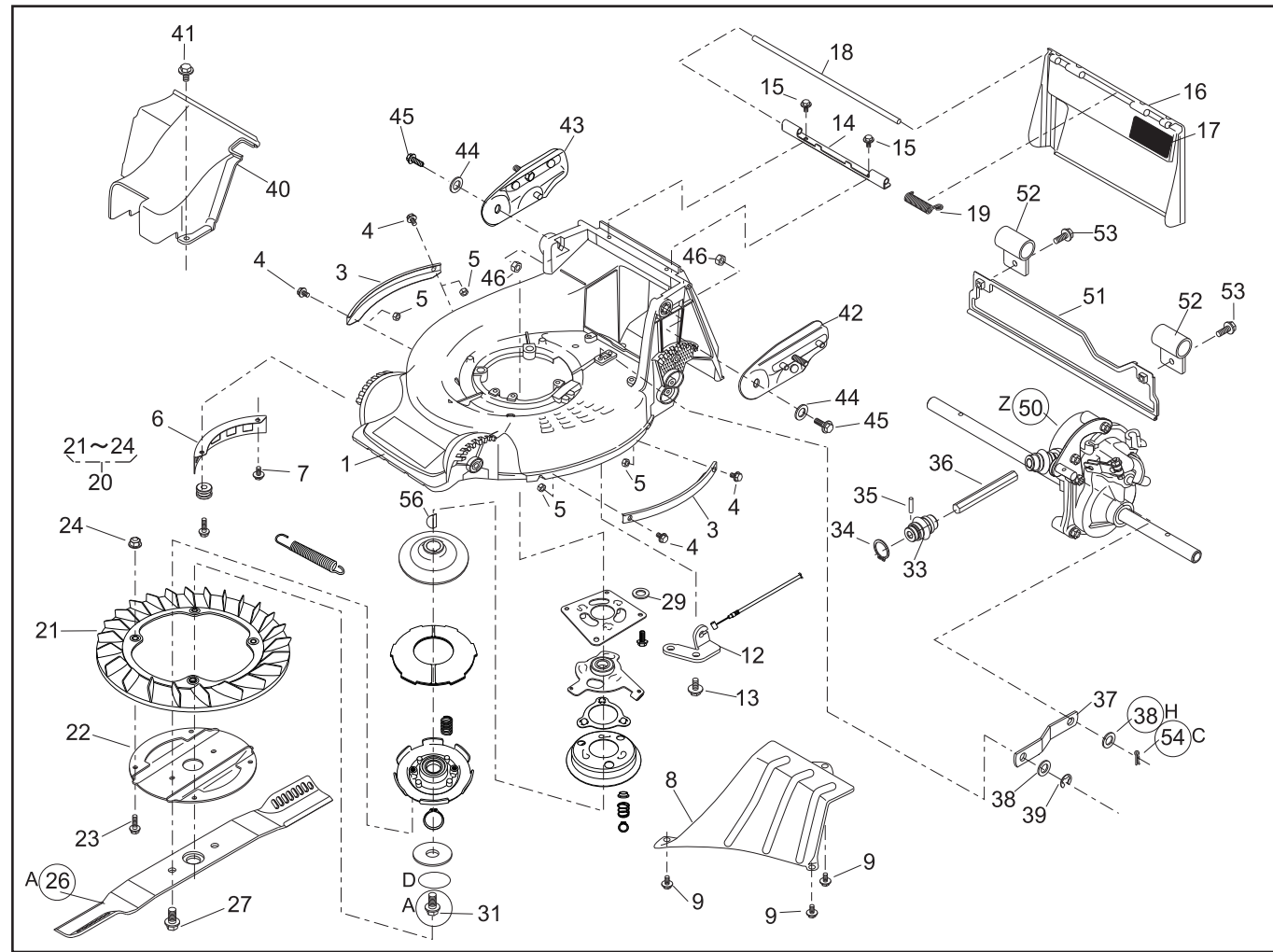
REF. No.	PARTS No.	PARTS NAME	WHEEL		PRICE()	RECOMM.(%) Lot.100	REMARKS
			Q'TY INCLUDING				
1	71041 112	WHEEL ASSY(R)	2				
2	91086 106	TIRE	2				
3	36107 101	WHEEL	2				
4	36070 110	CAP	2				
5							
6	61003 112	THRUST PLATE	2				
7	31034 137	PIN	2				
8	68036 146	WASHER	2				
9							
10	71158 101	RATCHET ASSY(RR)	1				
11	11102 138	HOLDER	1				
12	31034 170	PIN	2				
13	68013 266	SPRING	1				
14	71158 102	RATCHET ASSY(RL)	1				
15	11102 138	HOLDER	1				
16	31034 170	PIN	2				
17	68013 266	SPRING	1				
18							
19	31057 181	HEXAGON BOLT	2				
20	68036 101	WASHER	2				
21	569L 0800	FLANGE NYLON NUT	2				
22							
23							
24							
25							
26	71122 101	ADJUSTER ASSY(RL)	1				
27	11142 104	ADJUSTER	1				
28	945L 0349	BEARING	1				



PARTS LIST

46014-369-00

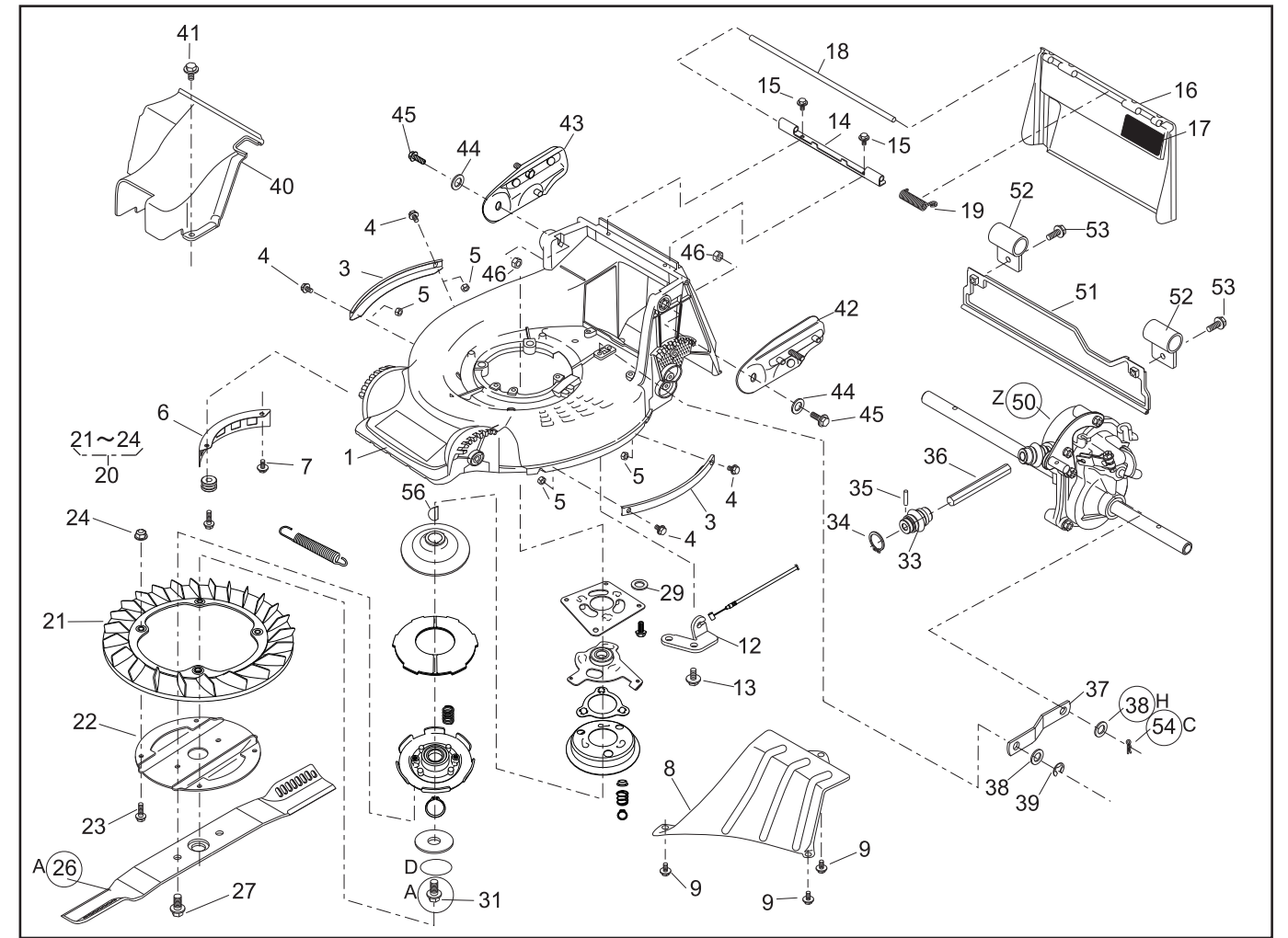
REF. No.	PARTS No.	PARTS NAME	WHEEL		PRICE()	RECOMM.(%) Lot.100	REMARKS
			Q'TY INCLUDING				
29							
30	71122 102	ADJUSTER ASSY(RR)	1				
31	11142 105	ADJUSTER	1				
32	945L 0349	BEARING	1				
33							
34	11150 102 09	ADJUST LEVER(R)	2				
35	36061 121	KNOB	2				
36	31057 260	HEXAGON BOLT	2				
37							
38	71041 103	WHEEL ASSY(F)	2				
39	91086 102	TIRE	2				
40	36107 102	WHEEL	2				
41	932L 0696	BEARING	4				
42	36070 110	CAP	2				
43	664V 0626	WAVE SPRING WASHER	2				
44	31057 181	HEXAGON BOLT	2				
45	68036 101	WASHER	2				
46							
47							
48							
49							
50							
51	11142 112	ADJUSTER(FL)	1				
52	11142 113	ADJUSTER(FR)	1				
53	11150 107 09	ADJUST LEVER(F)	2				
54	36061 121	KNOB	2				
55	31057 260	HEXAGON BOLT	2				
56	569L 0800	FLANGE NYLON NUT	2				



PARTS LIST

P/L No. 46014-372-02

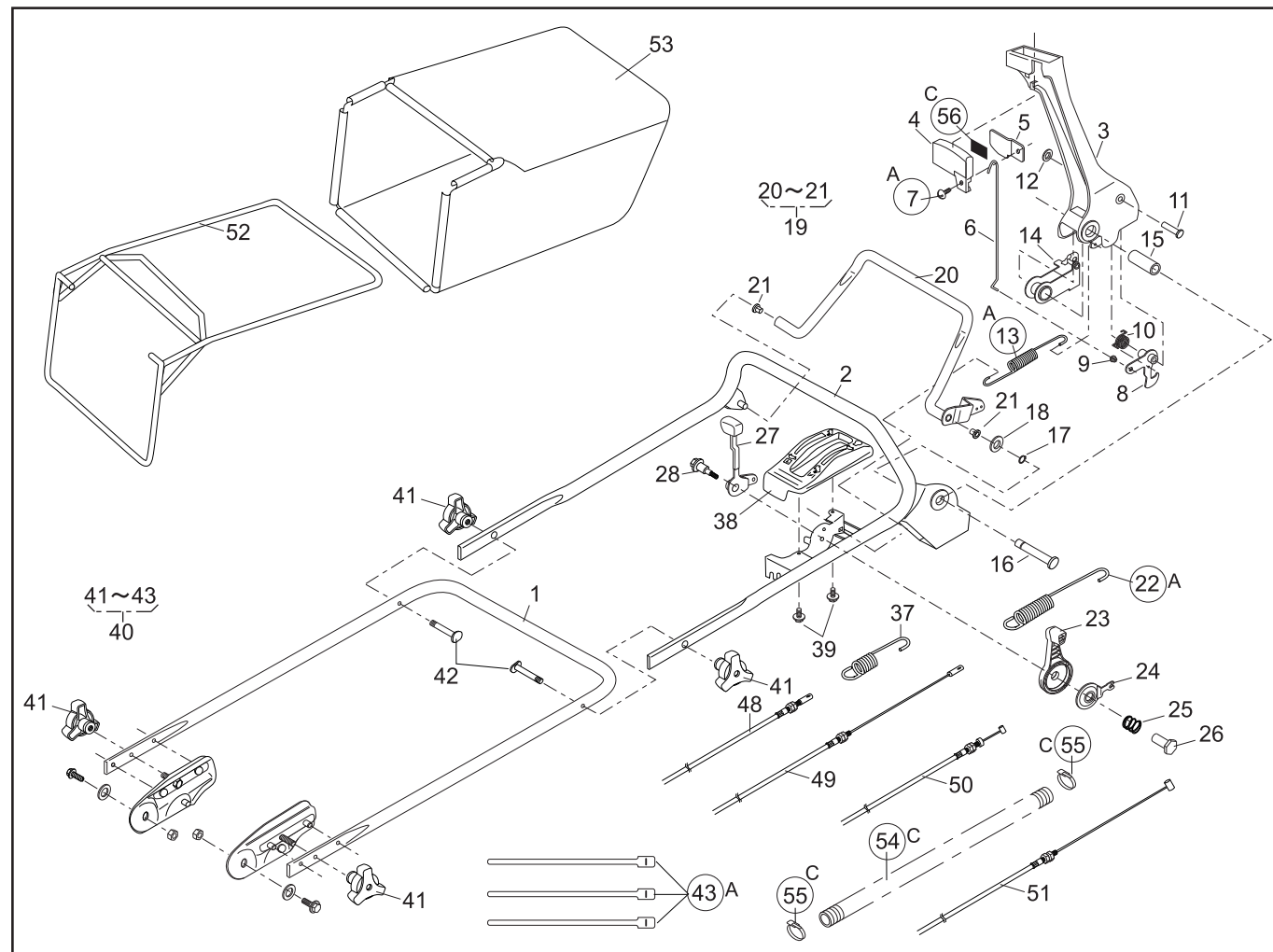
NOTE	REF. No.	PARTS No.	PARTS NAME	GRASS-CUTTING		1/2	Dec. 26. 2006	REMARKS
				Q'TY INCLUDING	PRICE()			
	1	51043 149 42	HOUSING	1				
	2							
	3	51090 128 09	PROTECTOR	2				
	4	335L 0616	FLANGE BOLT	4				
	5	512L 0600	HEXAGON NUT	4				
	6	36065 180	COVER	1				
	7	342L 0612	FLANGE BOLT TAPPING	1				
	8	36065 400	COVER	1				
	9	342L 0612	FLANGE BOLT TAPPING	3				
	10							
	11							
	12	51002 118	WIRE HOLDER	1				
	13	342L 0612	FLANGE BOLT TAPPING	2				
	14	11113 292	STAY	1				
	15	342L 0612	FLANGE BOLT TAPPING	2				
	16	36068 188 46	GUARD	1				
	17	36080 149	RUBBER SHEET	1				
	18	64014 324	SHAFT	1				
	19	68013 336	SPRING	1				
	20	71082 111	FAN ASSY	1				
	21	51125 103	FAN	1				
	22	11102 151	HOLDER	1				
	23	31062 169	PRE-COAT LOCK BOLT	4				
	24	579L 0600	FLANGE NUT	4				
	25							
A	26	91014 190	BLADE	1				
	27	335M 1020	FLANGE BOLT	2				
	28							



PARTS LIST

P/L No. 46014-372-02

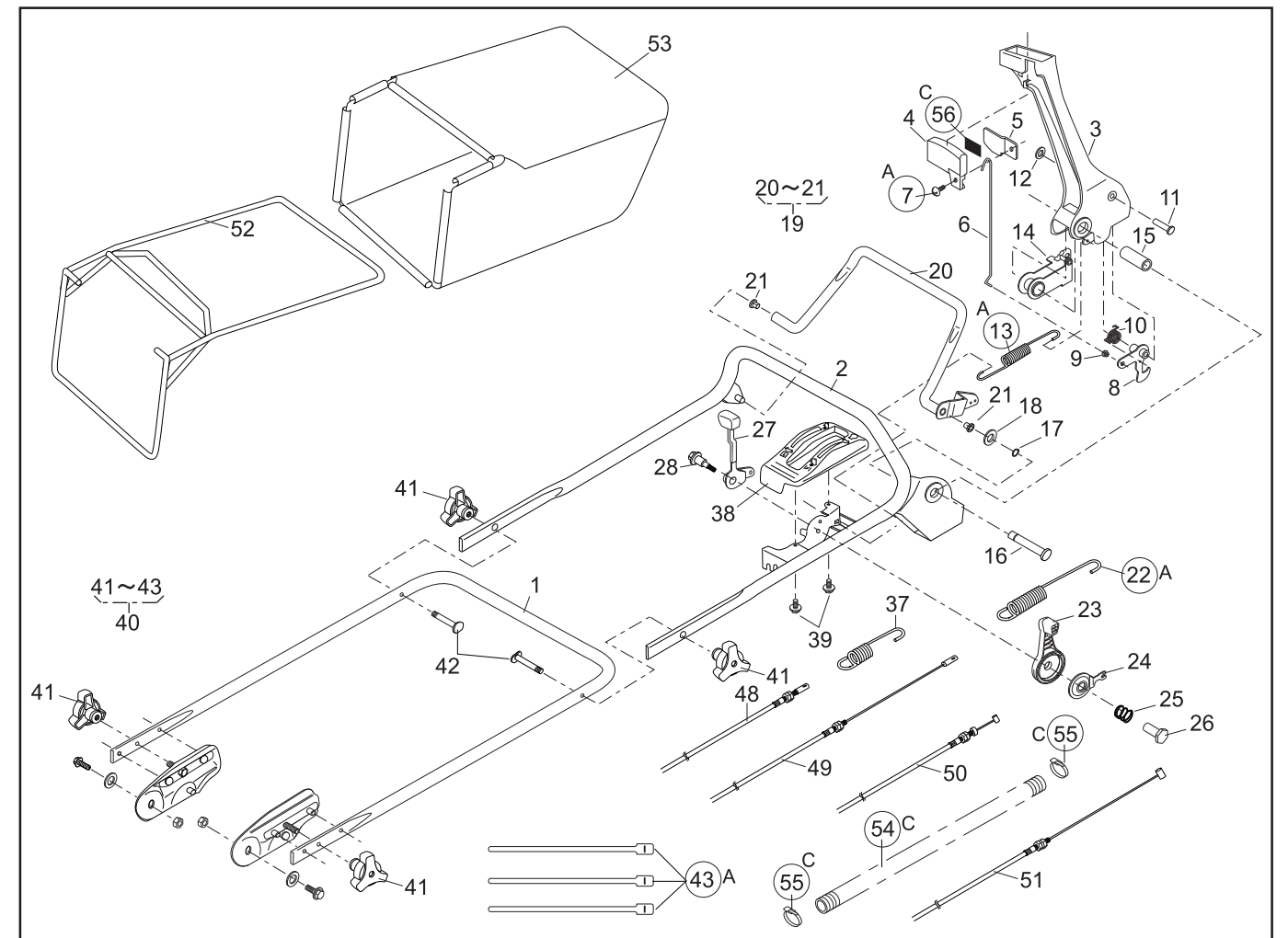
NOTE	REF. No.	PARTS No.	PARTS NAME	GRASS-CUTTING		2/2	Dec. 26. 2006	REMARKS
				Q'TY INCLUDING	PRICE()			
	29	68036 292	WASHER	4				
	30	71067 116	BRAKE ASSY	1				
A	31	31057 272	HEXAGON BOLT	1				
D	32							
	33	91097 101	UNIVERSAL JOINT	1				
	34	812V 2000	C-SNAP RING FOR SHAFT	1				
	35	717B 0418	PARALLEL PIN	1				
	36	64014 372	SHAFT	1				
	37	91049 136	CONNECTOR	1				
H	38	68036 280	WASHER	2				
	39	816V 0800	E-SNAP RING	1				
	40	36065 455	COVER	1				
	41	335L 0616	FLANGE BOLT	1				
	42	51116 145	HANDLE BRACKET(L)	1				
	43	51116 146	HANDLE BRACKET(R)	1				
	44	68036 101	WASHER	2				
	45	312M 0830	BOLT	2				
	46	512L 0800	HEXAGON NUT	2				
	47							
	48							
	49							
Z	50	71008 326	GEAR CASE ASSY	1				
	51	36046 122	SAFETY GUARD	1				
	52	11012 126	HANGER BAND	2				
	53	335L 0616	FLANGE BOLT	2				
C	54	733L 1000	SNAP PIN	1				
	55	122048	ENGINE:KAWASAKI FJ151V-AC50	1				
	56	96007 183	KEY	1				



PARTS LIST

P/L No. 46014-377-02

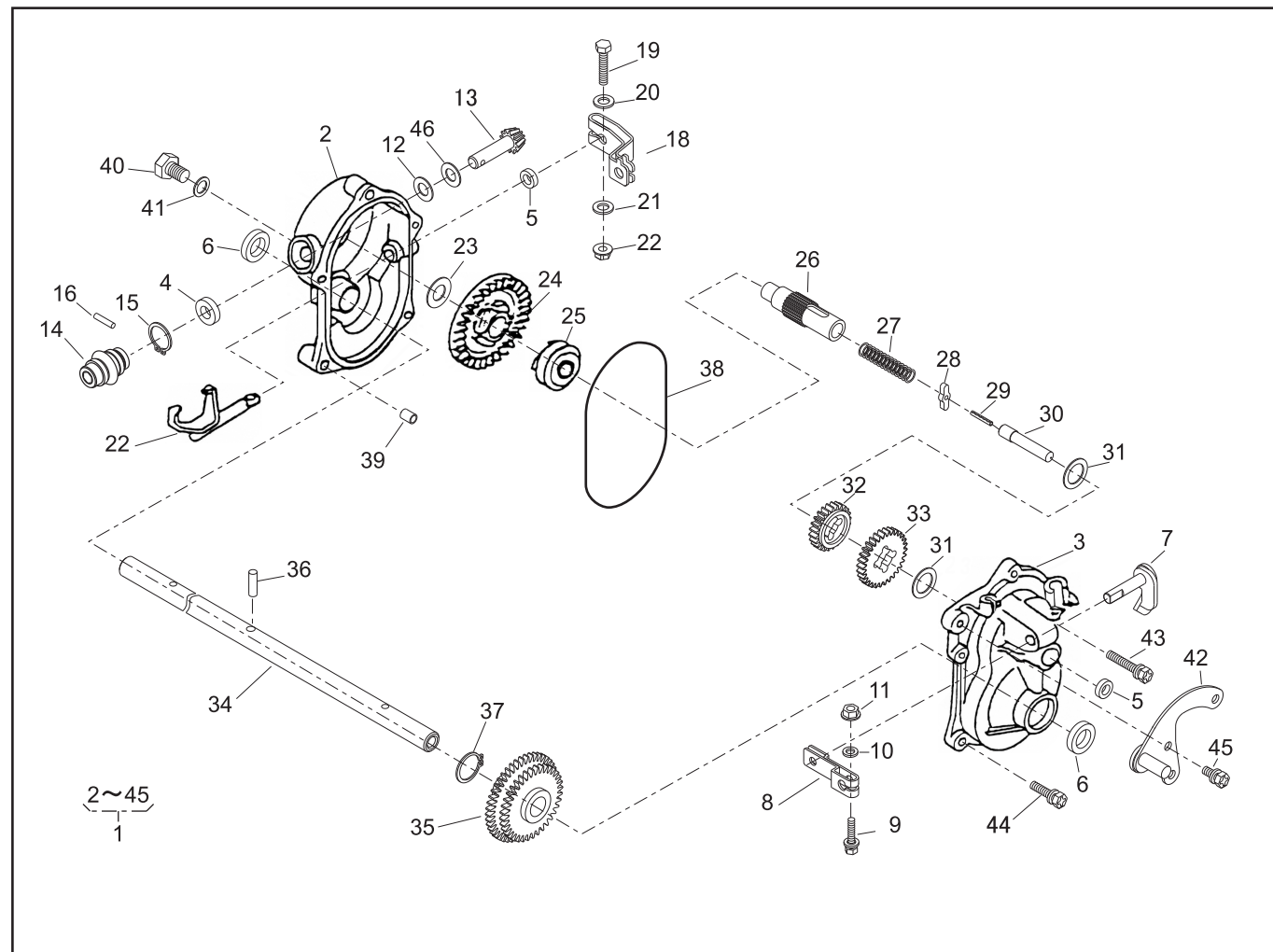
NOTE	REF. No.	PARTS No.	PARTS NAME	HANDLE		1/2	Dec. 26. 2006	REMARKS
				Q'TY INCLUDING	PRICE()			
	1	51027 146	HANDLE	1				
	2	51027 255	HANDLE	1				
	3	11095 172	LEVER(BBC)	1				
	4	36110 102	BUTTON	1				
	5	11049 109	SLIDE PLATE	1				
	6	64014 336	SHAFT	1				
A	7	376L 0612	(+)TAPPING SCREW	1				
	8	71203 135	ARM C.P.	1				
	9	76007 183	BUSH	1				
	10	68013 371	SPRING	1				
	11	31056 127	GIB-HEADED PIN	1				
	12	576V 0600	PUSH NUT	1				
A	13	68013 392	SPRING	1				
	14	11109 111	LINK	1				
	15	61023 190	SLEEVE	1				
	16	64014 337	SHAFT	1				
	17	812V 0800	C-SNAP RING FOR SHAFT	1				
	18	613L 0800	WASHER	1				
	19	71161 114 09	LEVER ASSY	1				
	20		LEVER	1				
	21	76007 131	BUSH	2				
A	22	68013 391	SPRING	1				
	23	91010 194	THROTTLE LEVER(FJ151V)	1				
	24	61003 113	THRUST PLATE	1				
	25	68013 356	SPRING	1				
	26	31058 168	NUT	1				
	27	11095 117	LEVER	1				
	28	31062 109	PRE-COAT LOCK BOLT	1				



PARTS LIST

P/L No. 46014-377-02

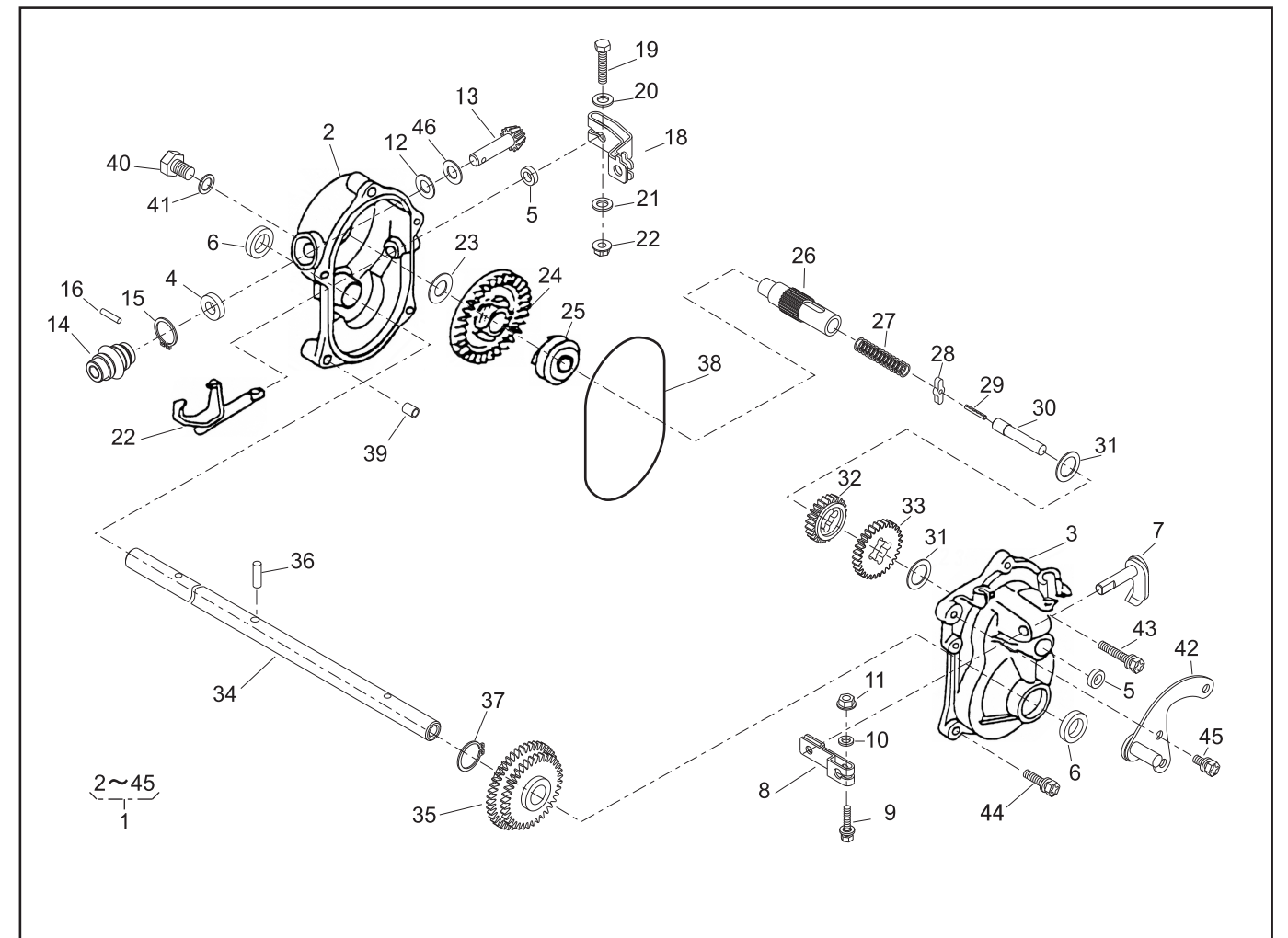
NOTE	REF. No.	PARTS No.	PARTS NAME	HANDLE		2/2	Dec. 26. 2006	REMARKS
				Q'TY INCLUDING	PRICE()			
	29							
	30							
	31							
	32							
	33							
	34							
	35							
	36							
	37	68013 161	SPRING	1				
	38	71900 796	COVER ASSY	1				
	39	470L 0514	(+)TAPPING SCREW	2				
	40	71052 119	BOLT SET	1				
	41	36061 118	KNOB	4				
	42	31057 134	BOLT	2				
A	43	68028 118	WIRE BAND	3				
	44							
	45							
	46							
	47							
	48	91003 125	CONTROL CABLE	1				
	49	91003 170	CONTROL CABLE	1				
	50	91001 337	THROTTLE WIRE(FJ151V)	1				
	51	91003 177	CONTROL CABLE(BBC)	1				
	52	11062 174	FRAME C.P.	1				
	53	36098 133	GRASS BAG C.P.(KAAZ)	1				
C	54	41003 201	TUBE (15.6x800L)	1				
C	55	68028 119	WIRE BAND	2				
C	56	36080 156	RUBBER SHEET	1				



PARTS LIST
MODEL : LM4850KX (KAAZ)

46014-119-1

REF. No.	PARTS No.	PARTS NAME	GEAR CASE		PRICE()	1/2		REMARKS
			Q'TY INCLUDING			RECOMM.(%) Lot.100		
1	71008 326	GEAR CASE ASSY	1			-		
2	51001 195	GEAR CASE	1			3		
3	51001 196	GEAR CASE	1			3		
4	61002 161	OIL SEAL	1			5		SD 10 20 5
5	61002 162	OIL SEAL	2			5		SD 8 14 4
6	61002 163	OIL SEAL	2			5		SD 15 24 5
7	64024 104	THIFTER SHAFT	1			3		
8	11104 119	ARM	1			3		
9	320L 0525	HEXAGON BOLT(PW)	1			3		M5 × 25
10	611L 0500	PLAIN WASHER	1			3		M5
11	571L 0500	FLANGE NUT	1			3		M5
12	61003 109	THRUST PLATE	1			5		
13	78003 130	PINION	1			3		
14	91097 101	UNIVERSAL JOINT	1			3		
15	812V 2000	C-SNAP RING FOR SHAFT	1			1		φ 20
16	717B 0418	PARALLEL PIN	1			3		φ 4 × 18
17	11097 106	SHIFTER FORK	1			3		
18	11104 137	ARM	1			3		
19	311M 0630	(+)HEXAGON BOLT	1			3		M6 × 30
20	611L 0600	PLAIN WASHER	1			3		M6
21	613L 0600	PLAIN WASHER	1			3		M6
22	571L 0600	FLANGE NUT	1			3		M6
23	61024 117	SPACER	1			5		
24	78001 162	BEVEL GEAR	1			3		
25	11129 107	CLUTCH	1			3		
26	64014 236	SHAFT	1			3		
27	68013 262	SPRING	1			3		



PARTS LIST
MODEL : LM4850KX (KAAZ)

46014-119-1

REF. No.	PARTS No.	PARTS NAME	GEAR CASE		PRICE()	2/2		REMARKS
			Q'TY INCLUDING			RECOMM.(%) Lot.100		
28	31034 171	PIN	1			3		
29	736U 0320	SPRING PIN	1			3		
30	64014 235	SHAFT	1			3		
31	61024 118	SPACER	2			3		
32	78004 156	GEAR	1			3		
33	78004 155	GEAR	1			3		
34	64014 185	SHAFT	1			3		
35	78012 107	GEAR C.P.	1			3		
36	31034 150	PIN	1			3		
37	812V 2200	C-SNAP RING FOR SHAFT	1			1		φ 22
38	214B 11000	O-RING	1			5		S110
39	11083 201	COLLAR	2			5		
40	31057 126	HEXAGON BOLT	1			3		
41	68001 110	FIBER WASHER	1			3		
42	11006 101	STAY C.P.	1			5		
43	315L 0625	(+)HEXAGON BOLT(SW,PW)	3			3		M6 × 25
44	315L 0635	(+)HEXAGON BOLT(SW,PW)	2			3		M6 × 35
45	318L 0612	(+)HEXAGON BOLT(SW)	1			3		M6 × 12
46	68007 132	SHIM	0~2			3		

