

WHEEL
 Brand: KAAZ
 P.cd: 609111

Date: 27-Mar-2015
 Revision: 00

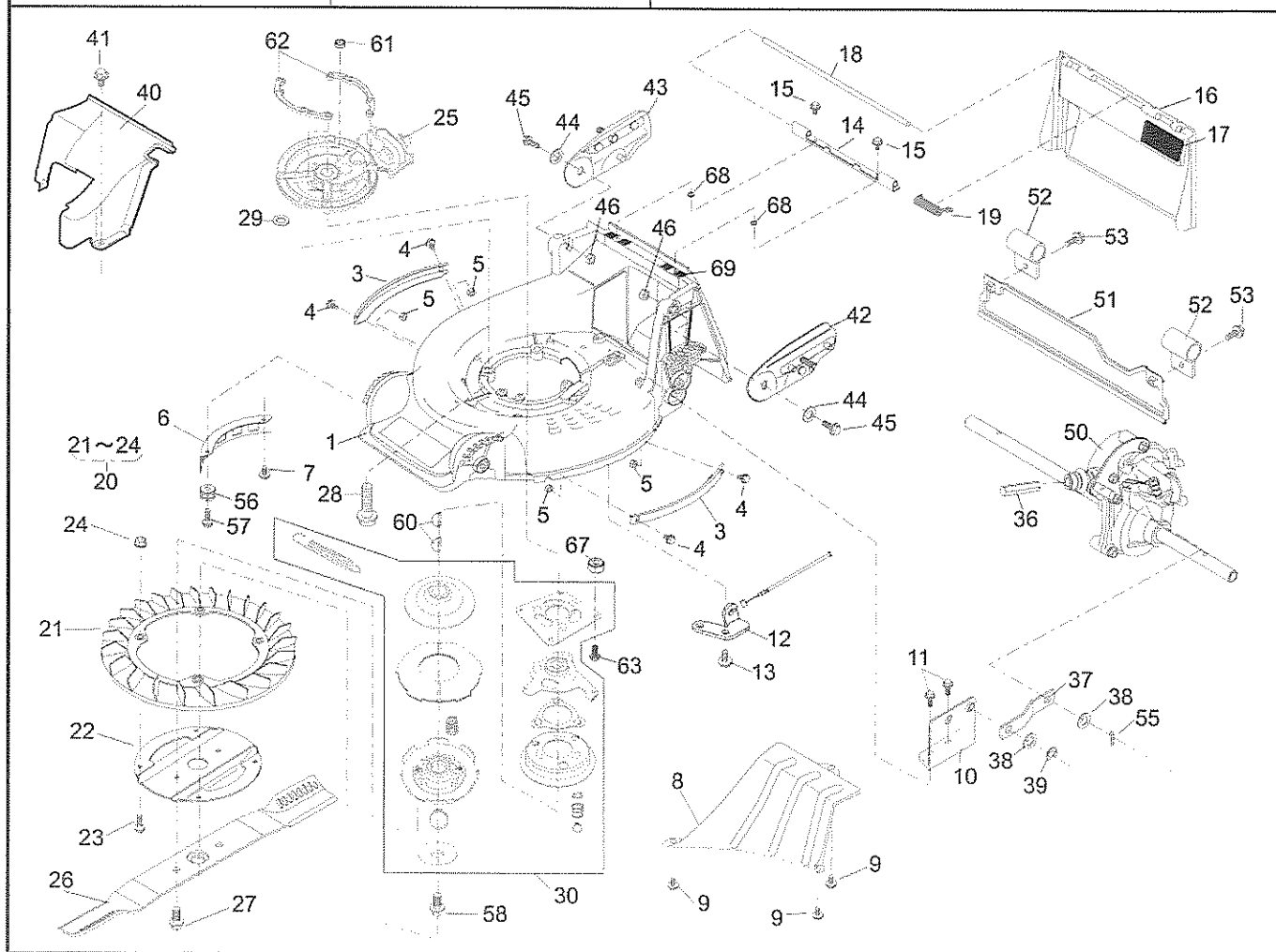
(A): LM4861SX
 (B):
 (C):

Ref.No	Parts.No	Parts.Name	Q'ty			Remarks	Recomm(%) Lot.100
			(A)	(B)	(C)		
1	71041-112	WHEEL ASS'Y	2				5
2	91086-106	TIRE	2				5
3	36107-101	WHEEL	2				5
4	36070-110	CAP	2				3
6	61003-112	THRUST PLATE	2				10
7	31034-137	PIN	2				10
8	68036-146	WASHER (16x31.5x1.0)	2				5
10	71158-104	RATCHET ASS'Y	1				-
11	11102-235	HOLDER	1				10
12	31034-170	PIN	2				10
13	68013-266	SPRING	1				10
14	71158-103	RATCHET ASS'Y	1				-
15	11102-235	HOLDER	1				10
16	31034-170	PIN	2				10
17	68013-266	SPRING	1				10
19	31057-181	HEXAGON BOLT	2				3
20	68036-101	WASHER (9x25x2.3)	2				3
21	569L0800	FLANGE NYLON NUT	2				10
26	71122-101	ADJUSTER ASS'Y	1				-
27	11142-104	ADJUSTER	1				10
28	945L0349	BEARING (F-PC0349L)	1				10
30	71122-102	ADJUSTER ASS'Y	1				-
31	11142-105	ADJUSTER	1				10
32	945L0349	BEARING (F-PC0349L)	1				10
34	11150-102-09	ADJUST LEVER	2				5
35	36061-121	KNOB	2				5
36	31057-260	HEXAGON BOLT	2				10
38	71041-103	WHEEL ASS'Y	2				5
39	91086-102	TIRE	2				5
40	36107-102	WHEEL	2				5
41	932L0696	BEARING (PCB-0696)	4				5
42	36070-110	CAP	2				3
43	664V0626	WAVE SPRING WASHER	2				3
44	31057-181	HEXAGON BOLT	2				3
45	68036-101	WASHER (9x25x2.3)	2				3
51	11142-123	ADJUSTER	1				10
52	11142-124	ADJUSTER	1				10
55	31057-260	HEXAGON BOLT	2				10
56	569L0800	FLANGE NYLON NUT	2				10
57	11150-115-09	ADJUST LEVER(L)	1				5
58	11150-116-09	ADJUST LEVER(R)	1				5

Brand : KAAZ

Model : LM4861SX

Product Code : 609111



GRASS-CUTTING

Brand: KAAZ

P.cd: 609111

Date: 27-Mar-2015

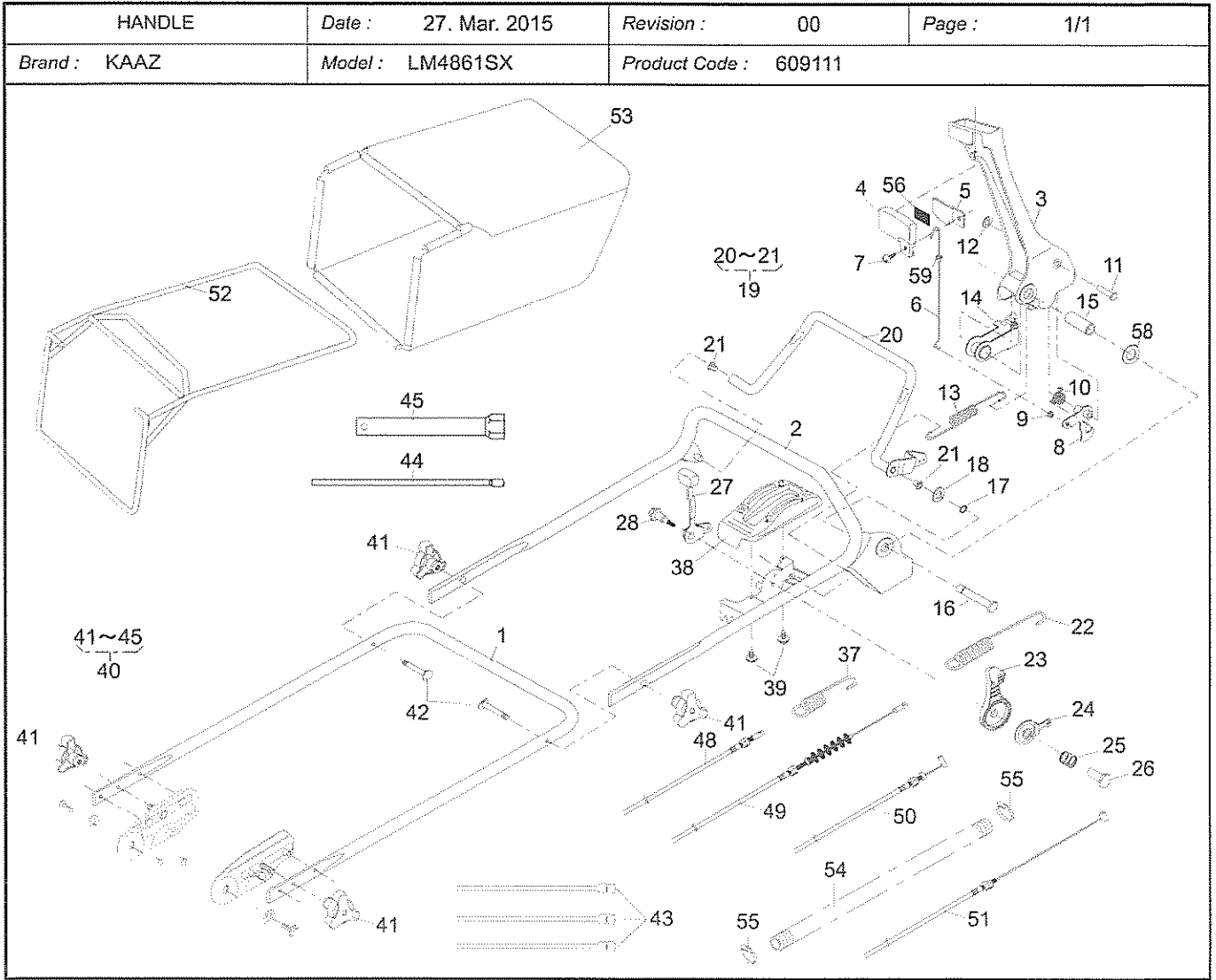
Revision: 00

(A): LM4861SX

(B):

(C):

Ref.No	Parts.No	Parts.Name	Q'ty			Remarks	Recomm(%) Lot.100
			(A)	(B)	(C)		
1	51043-146-42	HOUSING	1				3
3	51090-128-09	PROTECTOR	2				5
4	335L0616	FLANGE BOLT	4				3
5	512L0600	HEXAGON NUT	4				3
6	36065-180	COVER	1				3
7	342L0612	FLANGE TAPPING BOLT	1				3
8	36065-400	COVER	1				10
9	342L0612	FLANGE TAPPING BOLT	3				3
10	11006-196	STAY C.P.	1				5
11	342L0612	FLANGE TAPPING BOLT	2				3
12	51002-118	WIRE HOLDER	1				3
13	342L0612	FLANGE TAPPING BOLT	2				3
14	11113-292	STAY	1				3
15	342L0612	FLANGE TAPPING BOLT	2				3
16	36068-188-46	GUARD	1				3
17	36080-149	RUBBER SHEET	1				3
18	64014-324	SHAFT	1				3
19	68013-336	SPRING	1				3
20	71082-111	FAN ASS'Y	1				-
21	51125-103	FAN	1				5
22	11102-151	HOLDER	1				5
23	31062-169	PRE-COAT LOCK BOLT	4				5
24	579L0600	FLANGE NUT	4				5
25	71008-425	GEAR CASE ASS'Y	1				3
26	91014-190	BLADE	1				15
27	335M1020	FLANGE BOLT	2				15
28	335L1075	FLANGE BOLT	4				3
29	68036-335	WASHER (10.5x22x3.2)	4				3
30	71067-120	BRAKE ASS'Y	1				-
36	64014-411	SHAFT	1				3
37	91049-143	CONNECTOR	1				5
38	68036-280	WASHER (10.5x18x1.6)	2				3
39	816V0800	E-SNAP RING	1				5
40	36065-515	COVER	1				3
41	342L0616	FLANGE TAPPING BOLT	1				3
42	51116-145	HANDLE BRACKET	1				3
43	51116-146	HANDLE BRACKET	1				3
44	68036-101	WASHER (9x25x2.3)	2				3
45	312M0830	HEX. BOLT(W/SW)	2				3
46	512L0800	HEXAGON NUT	2				3
50	71008-326	GEAR CASE ASS'Y	1				-
51	36046-122	SAFETY GUARD	1				3
52	11012-126	HANGER BAND	2				3
53	335L0616	FLANGE BOLT	2				3
55	733L1000	SNAP PIN	1				5
56	11083-270	COLLAR	1				3
57	342L0620	FLANGE TAPPING BOLT	1				3
58	31057-341	HEXAGON BOLT	1				3
60	91020-161	KEY	2				-
61	61014-124	SHAFT COLLAR	1				3
62	61024-209	SPACER	2				3
63	335L0830	FLANGE BOLT	4				3
67	61024-247	SPACER	4				3
68	68036-125	WASHER(6.5x18x1.6)	2				3
69	36080-179	RUBBER SHEET	4				3



HANDLE

Brand: KAAZ

P.cd: 609111

Date: 27-Mar-2015

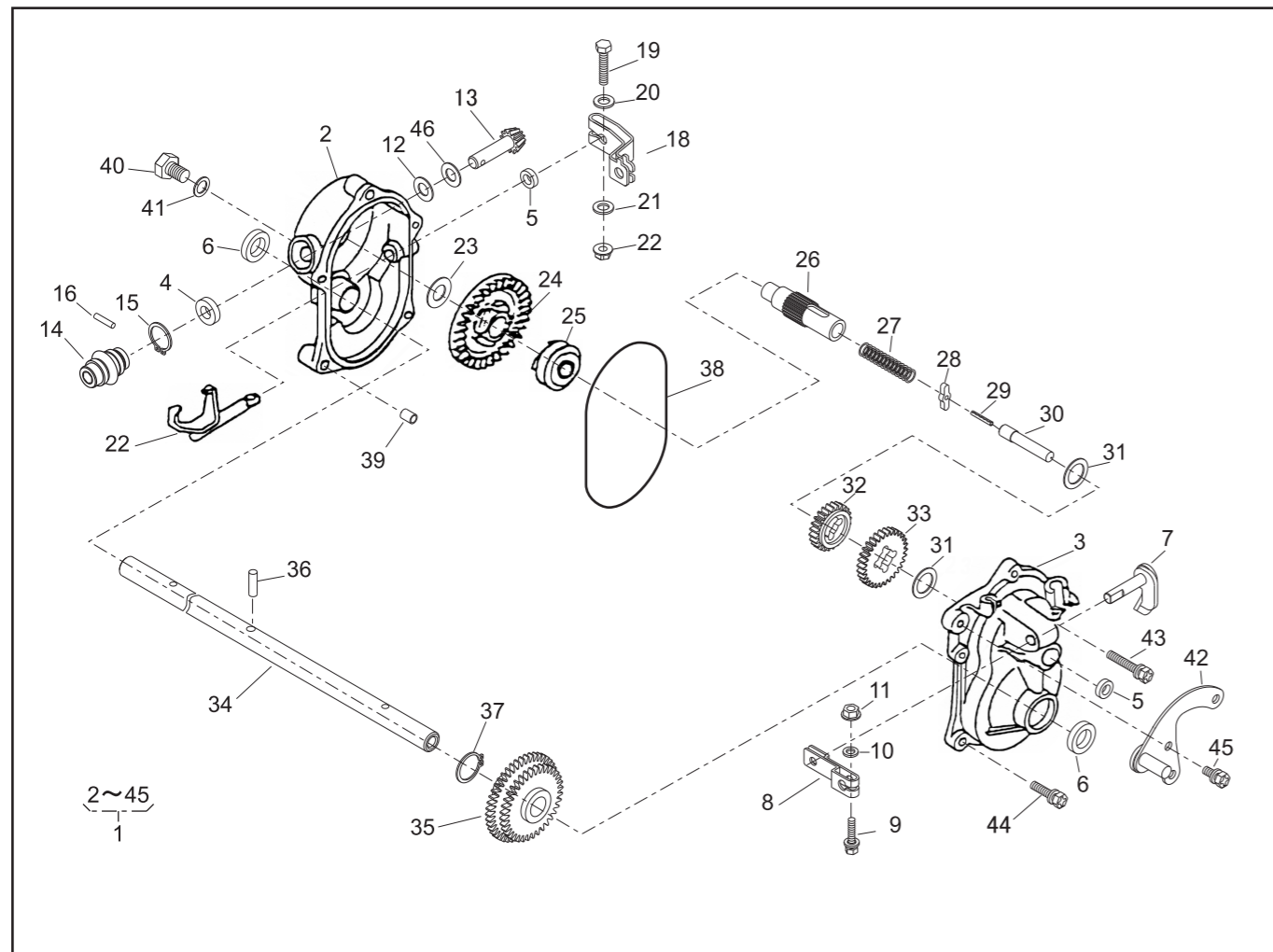
Revision: 00

(A): LM4861SX

(B):

(C):

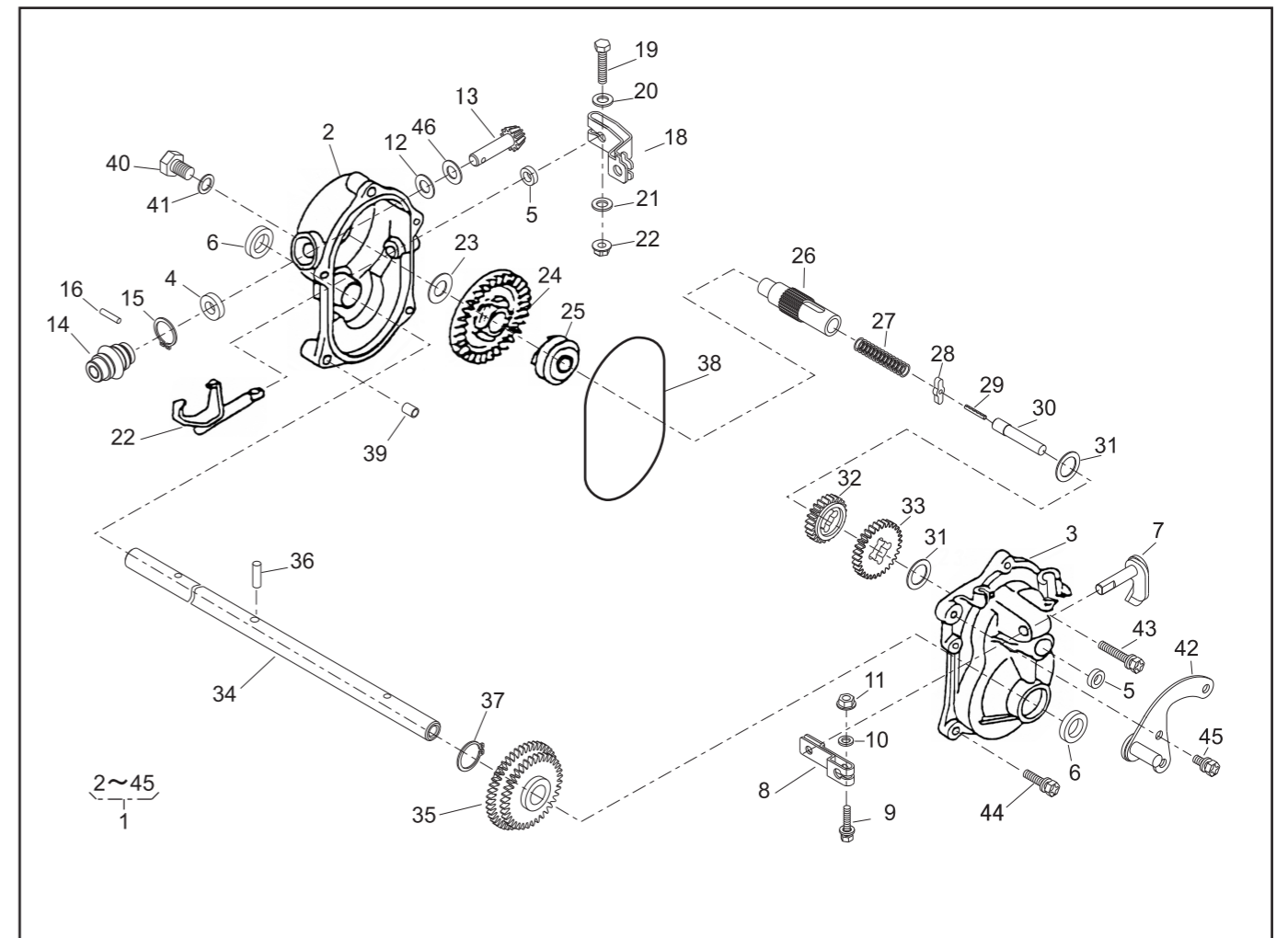
Ref.No	Parts.No	Parts.Name	Q'ty			Remarks	Recomm(%) Lot.100
			(A)	(B)	(C)		
1	51027-271-103	HANDLE	1				3
2	51027-267-103	HANDLE	1				3
3	11095-172	LEVER	1				3
4	36110-102	BUTTON	1				5
5	11049-109	SLIDE PLATE	1				5
6	64014-336	SHAFT	1				5
7	376L0612	(+)TRUSS SCREW	1				5
8	71203-135	ARM C.P.	1				3
9	76007-183	BUSH	1				3
10	68013-371	SPRING	1				3
11	31056-127	GIB-HEADED PIN	1				3
12	576V0600	PUSH NUT	1				3
13	68013-392	SPRING	1				3
14	11109-111	LINK	1				3
15	61023-190	SLEEVE	1				3
16	64014-337	SHAFT	1				3
17	812V0800	C-SNAP RING	1				3
18	613L0800	PLAIN WASHER	1				3
19	71161-114-09	LEVER ASS'Y	1				5
21	76007-131	BUSH	2				5
22	68013-391	SPRING	1				3
23	91010-200	THROTTLE LEVER	1				3
24	61003-113	THRUST PLATE	1				3
25	68013-356	SPRING	1				3
26	31058-168	HEXAGON NUT	1				3
27	11095-117	LEVER	1				3
28	31062-109	PRE-COAT LOCK BOLT	1				3
37	68013-161	SPRING	1				5
38	71906-813	COVER ASS'Y	1				3
39	470L0514	(+)TAPPING SCREW	2				3
40	71906-140	BOLT SET	1				3
41	36061-118	KNOB	4				3
42	31057-134	HEXAGON BOLT	2				3
43	68028-118	WIRE BAND (GT280)	3				5
44	66008-103	PLUG BOX BAR (8x200)	1				1
45	66006-125	BOX SPANNER	1				1
48	91003-125	CONTROL CABLE	1				5
49	91003-189	CONTROL CABLE	1				5
50	91001-395	THROTTLE WIRE	1				5
51	91003-177	CONTROL CABLE	1				5
52	11062-174	FRAME C.P.	1				5
53	36098-133	GRASS BAG C.P.	1				10
54	41003-201	TUBE (15.6x800L)	1				5
55	68028-119	WIRE BAND (SHT18R-W)	2				5
56	36080-156	RUBBER SHEET	1				5
58	68007-144	SHIM(20x13.2)	1				3
59	76007-183	BUSH	1				3



PARTS LIST
MODEL : LM4850KX (KAAZ)

46014-119-1

REF. No.	PARTS No.	PARTS NAME	GEAR CASE		PRICE()	1/2		REMARKS
			Q'TY INCLUDING			RECOMM.(%) Lot.100		
1	71008 326	GEAR CASE ASSY	1			-		
2	51001 195	GEAR CASE	1			3		
3	51001 196	GEAR CASE	1			3		
4	61002 161	OIL SEAL	1			5		SD 10 20 5
5	61002 162	OIL SEAL	2			5		SD 8 14 4
6	61002 163	OIL SEAL	2			5		SD 15 24 5
7	64024 104	THIFTER SHAFT	1			3		
8	11104 119	ARM	1			3		
9	320L 0525	HEXAGON BOLT(PW)	1			3		M5 × 25
10	611L 0500	PLAIN WASHER	1			3		M5
11	571L 0500	FLANGE NUT	1			3		M5
12	61003 109	THRUST PLATE	1			5		
13	78003 130	PINION	1			3		
14	91097 101	UNIVERSAL JOINT	1			3		
15	812V 2000	C-SNAP RING FOR SHAFT		1		1		φ 20
16	717B 0418	PARALLEL PIN		1		3		φ 4 × 18
17	11097 106	SHIFTER FORK	1			3		
18	11104 137	ARM	1			3		
19	311M 0630	(+)HEXAGON BOLT	1			3		M6 × 30
20	611L 0600	PLAIN WASHER	1			3		M6
21	613L 0600	PLAIN WASHER	1			3		M6
22	571L 0600	FLANGE NUT	1			3		M6
23	61024 117	SPACER	1			5		
24	78001 162	BEVEL GEAR	1			3		
25	11129 107	CLUTCH	1			3		
26	64014 236	SHAFT	1			3		
27	68013 262	SPRING	1			3		



PARTS LIST
MODEL : LM4850KX (KAAZ)

46014-119-1

REF. No.	PARTS No.	PARTS NAME	GEAR CASE		PRICE()	2/2		REMARKS
			Q'TY INCLUDING			RECOMM.(%) Lot.100		
28	31034 171	PIN	1			3		
29	736U 0320	SPRING PIN	1			3		
30	64014 235	SHAFT	1			3		
31	61024 118	SPACER	2			3		
32	78004 156	GEAR	1			3		
33	78004 155	GEAR	1			3		
34	64014 185	SHAFT	1			3		
35	78012 107	GEAR C.P.	1			3		
36	31034 150	PIN	1			3		
37	812V 2200	C-SNAP RING FOR SHAFT	1			1		φ 22
38	214B 11000	O-RING	1			5		§110
39	11083 201	COLLAR	2			5		
40	31057 126	HEXAGON BOLT	1			3		
41	68001 110	FIBER WASHER	1			3		
42	11006 101	STAY C.P.	1			5		
43	315L 0625	(+)HEXAGON BOLT(SW,PW)	3			3		M6 × 25
44	315L 0635	(+)HEXAGON BOLT(SW,PW)	2			3		M6 × 35
45	318L 0612	(+)HEXAGON BOLT(SW)	1			3		M6 × 12
46	68007 132	SHIM	0~2			3		

GEAR CASE ASS'Y

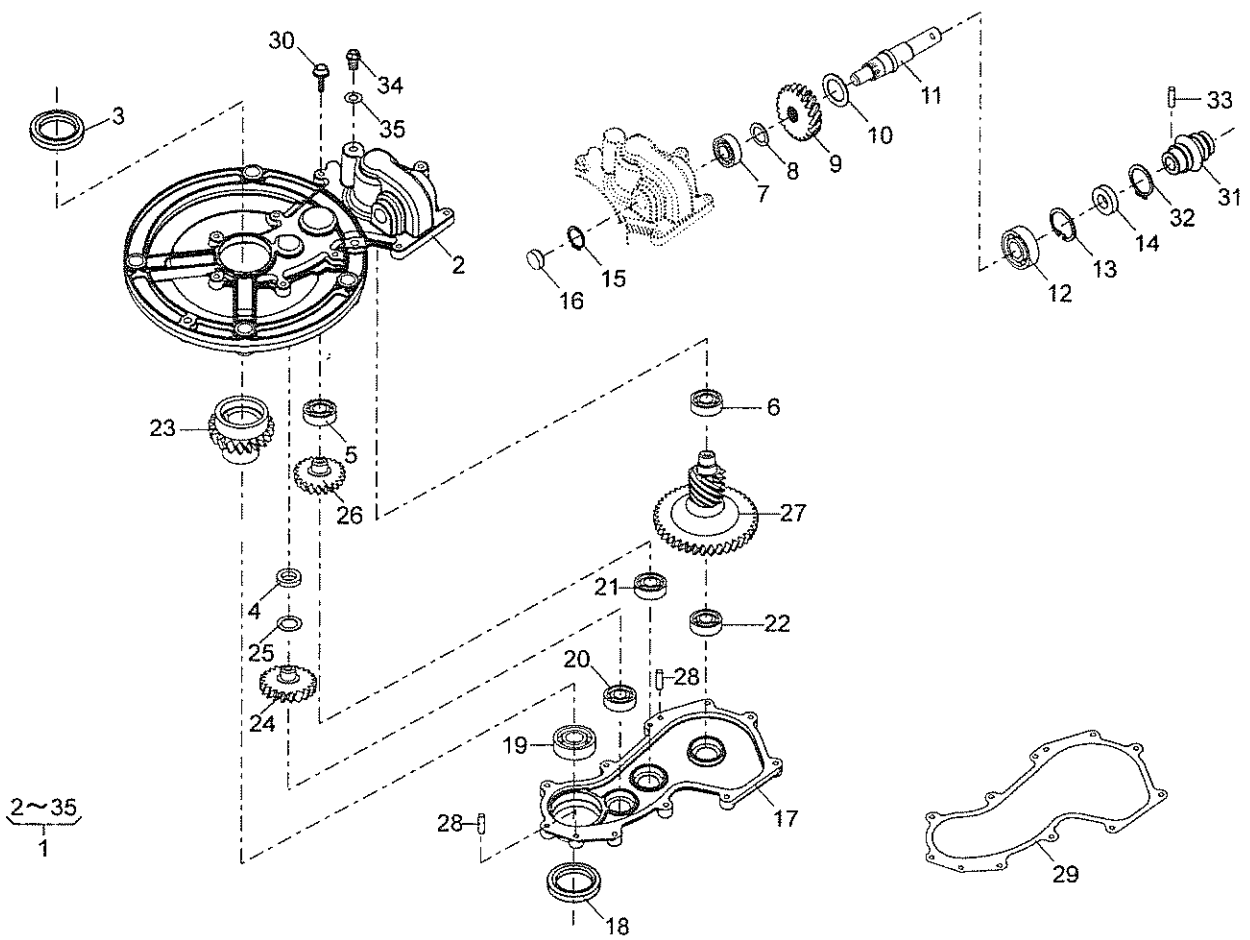
Date : 08. Aug, 2010

Revision : 00

Page: 1/1

Product code : 71008-425

Model :



Gear case ass'y

Brand:

P.cd: 71008-425

Date: 6-Aug-2010

Revision: 00

(A):

(B):

(C):

Ref.No	Parts.No	Parts.Name	Q'ty			Remarks	Recomm(%) Lot.100
			(A)	(B)	(C)		
1	71008-425	GEAR CASE ASS'Y	1				
2	51001-321	GEAR CASE	1				
3	61002-206	OIL SEAL	1				
4	76007-209	BUSH	1				
5	913B6001	BEARING (6001)	1				
6	913B6001	BEARING (6001)	1				
7	913B6000	BEARING (6000)	1				
8	61024-223	SPACER	1				
9	78004-321	GEAR	1				
10	61024-224	SPACER	1				
11	64001-198	SPLINE SHAFT	1				
12	913B6001	BEARING (6001)	1				
13	811V2800	C-SNAP RING	1				
14	61002-204	OIL SEAL	1				
15	812V1000	C-SNAP RING	1				
16	91033-108	BLIND COVER	1				
17	51001-322	GEAR CASE	1				
18	61002-205	OIL SEAL	1				
19	913B6906	BEARING (6906)	1				
20	913B6001	BEARING (6001)	1				
21	913B6001	BEARING (6001)	1				
22	913B6001	BEARING (6001)	1				
23	78004-328	GEAR	1				
24	78004-319	GEAR	1				
25	68036-291	WASHER	1				
26	78004-320	GEAR	1				
27	78012-164	GEAR C.P.	1				
28	713B0616	PARALLEL PIN	2				
29	61019-238	PACKING	1				
30	423U0620	SOCKET SCREW FLANGE	10				
31	91097-101	UNIVERSAL JOINT	1				
32	812V2000	C-SNAP RING	1				
33	717B0418	PARALLEL PIN	1				
34	31057-262	HEXAGON BOLT	1				
35	214B0800	O-RING (S8)	1				

