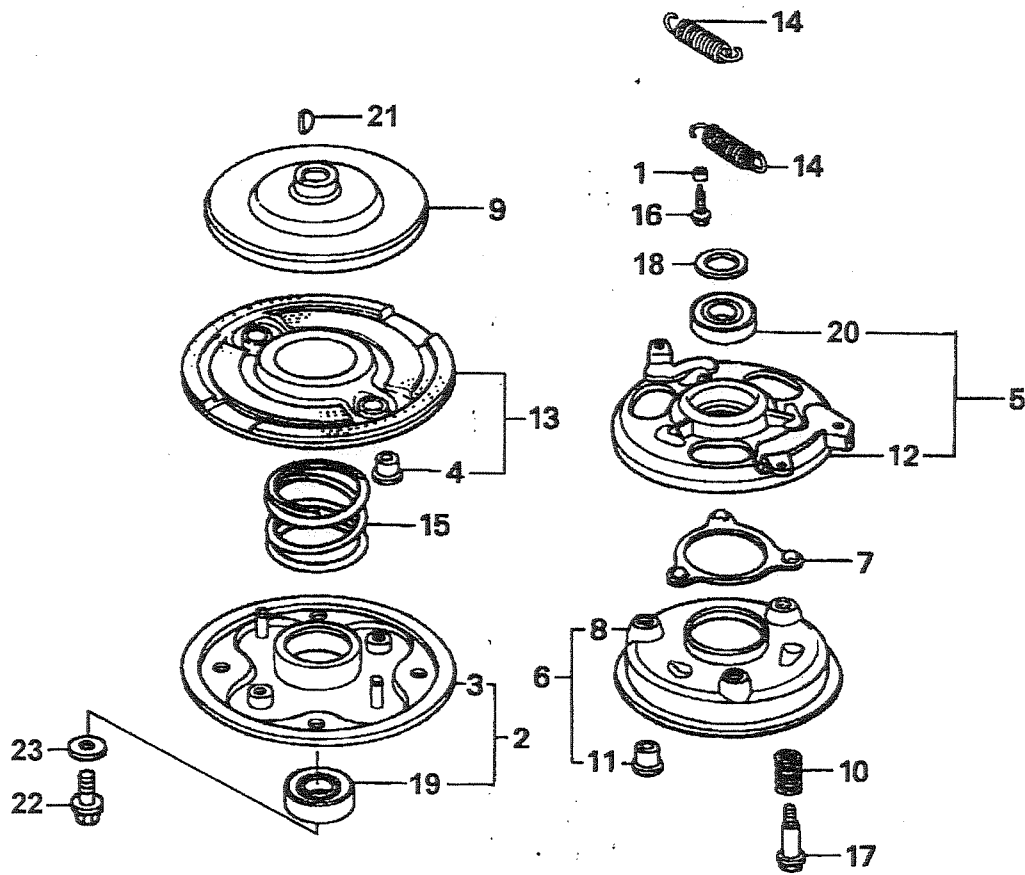
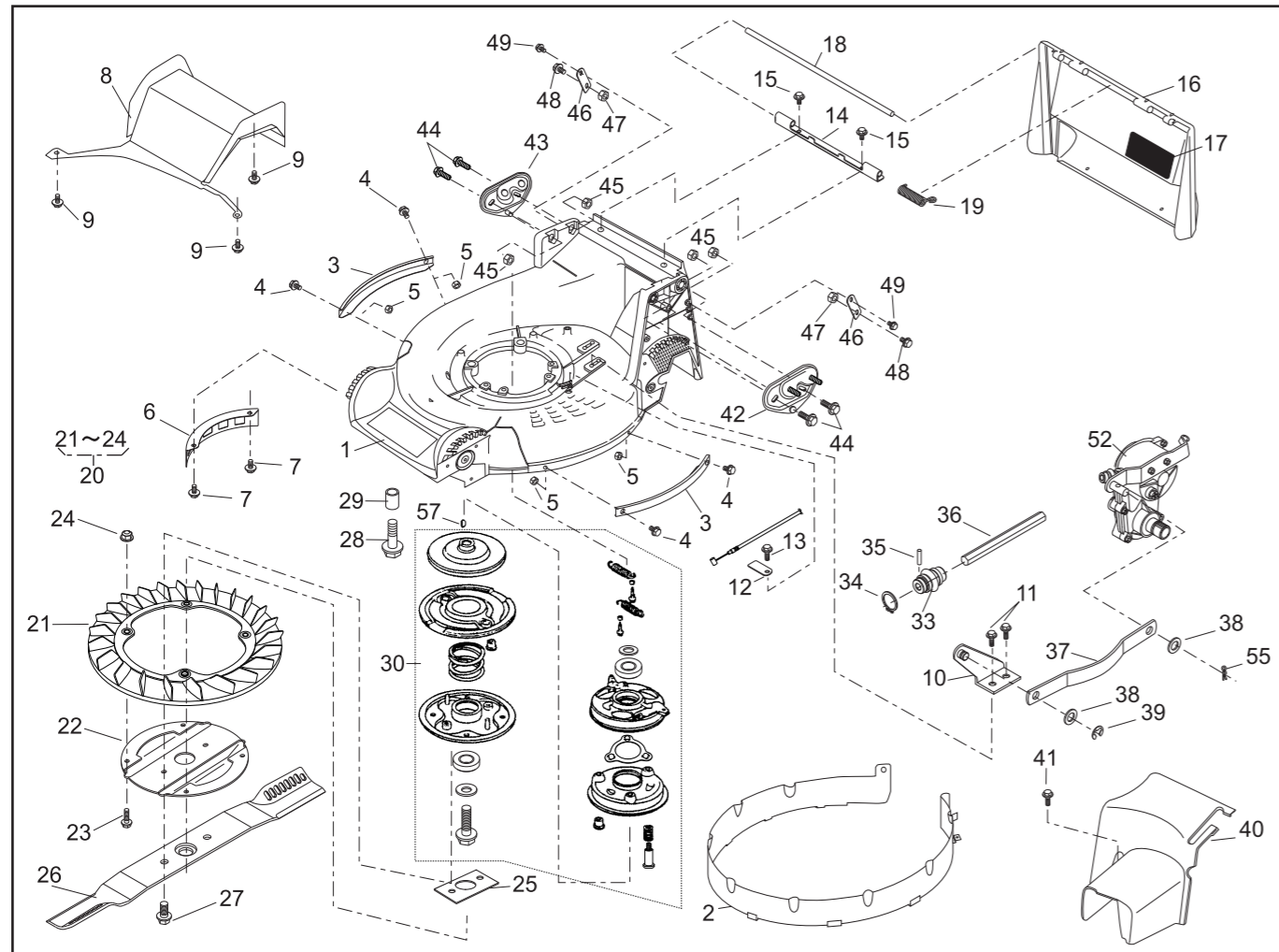


BRAKE ASS'Y	Date : 01. Dec, 2011	Revision : 02	Page: 1/1
-------------	----------------------	---------------	-----------

Product code : 71067-106	Model :
--------------------------	---------

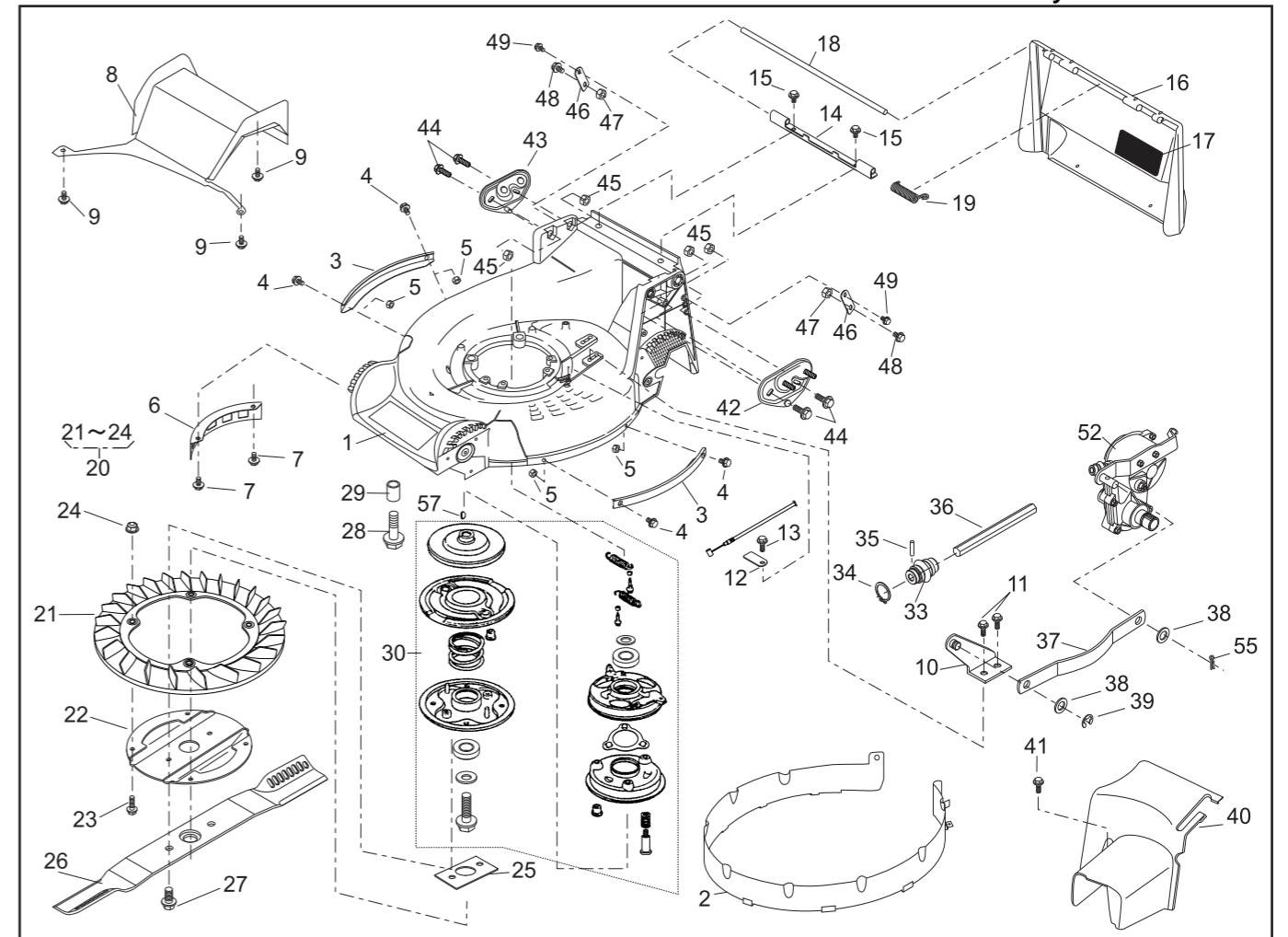




PARTS LIST

P/L No. 46014-547-00

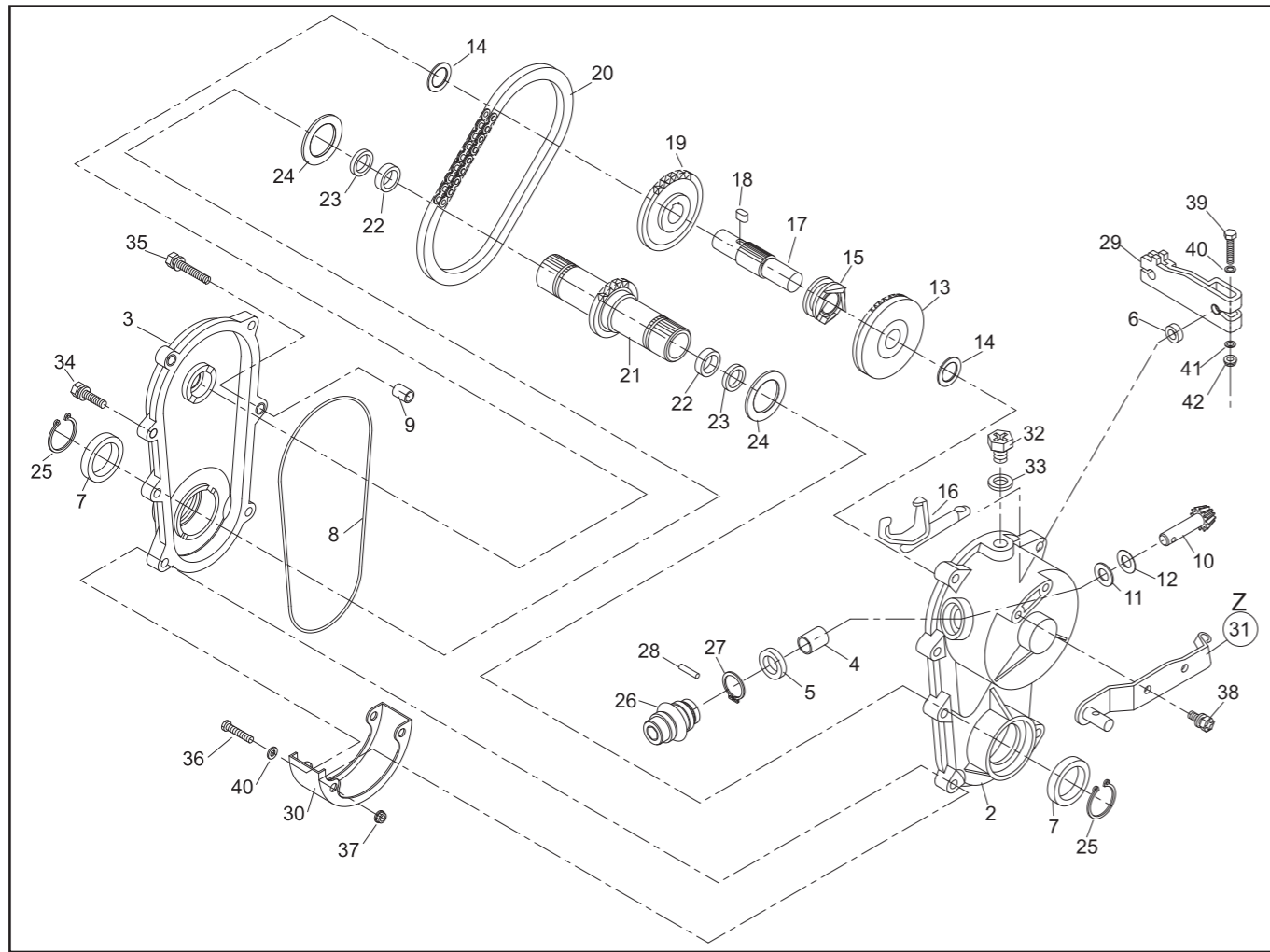
NOTE	REF. No.	PARTS No.	PARTS NAME	GRASS-CUTTING-PRO		1/2	RECOMM.(%) Lot.100	Dec. 25, 2006	REMARKS
				Q'TY	PRICE()				
	1	51043 151 42	HOUSING	1					
	2	36068 204	GUARD	1					
	3	51090 117 09	PROTECTOR	2					
	4	335L 0616	FLANGE BOLT	4					
	5	512L 0600	HEXAGON NUT	4					
	6	36065 180	COVER	1					
	7	342L 0612	FLANGE BOLT TAPPING	2					
	8	36065 460 42	COVER	1					
	9	342L 0612	FLANGE BOLT TAPPING	3					
	10	11006 155	STAY C.P.	1					
	11	342L 0612	FLANGE BOLT TAPPING	2					
	12	11113 407	STAY	1					
	13	342L 0612	FLANGE BOLT TAPPING	1					
	14	11113 292	STAY	1					
	15	342L 0612	FLANGE BOLT TAPPING	2					
	16	36068 196 46	GUARD	1					
	17	36080 149	RUBBER SHEET	1					
	18	64014 324	SHAFT	1					
	19	68013 336	SPRING	1					
	20	71082 111	FAN ASSY	1					
	21	51125 103	FAN	1					
	22	11102 151	HOLDER	1					
	23	31062 169	PRE-COAT LOCK BOLT	4					
	24	579L 0600	FLANGE NUT	4					
	25	61024 208	SPACER	1					
	26	91014 188	BLADE	1					
	27	31057 197	HEXAGON BOLT	2					
	28	31057 243	HEXAGON BOLT	4					
	29	61024 142	SPACER	3					
	30	71067 106	BRAKE ASSY	1					



PARTS LIST

P/L No. 46014-547-00

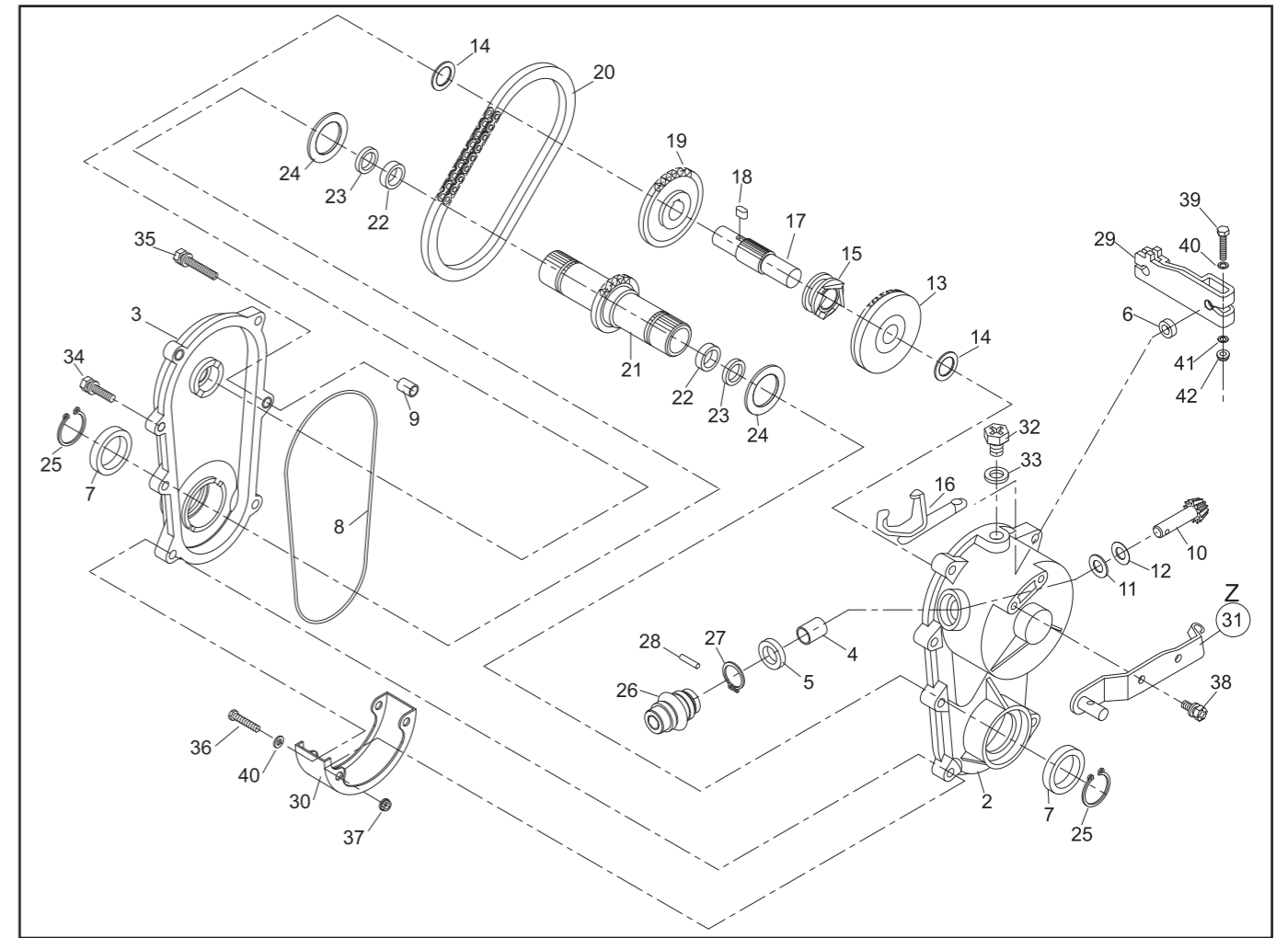
NOTE	REF. No.	PARTS No.	PARTS NAME	GRASS-CUTTING-PRO		2/2	RECOMM.(%) Lot.100	Dec. 25, 2006	REMARKS
				Q'TY	PRICE()				
	31								
	32								
	33	91097 101	UNIVERSAL JOINT	1					
	34	812V 2000	C-SNAP RING FOR SHAFT	1					
	35	717B 0418	PARALLEL PIN	1					
	36	64014 359	SHAFT	1					
	37	91049 133	CONNECTOR	1					
	38	68036 280	WASHER	2					
	39	816V 0800	E-SNAP RING	1					
	40	36065 438	COVER	1					
	41	342L 0616	FLANGE BOLT TAPPING	1					
	42	51116 149	HANDLE BRACKET(L)	1					
	43	51116 150	HANDLE BRACKET(R)	1					
	44	31057 255	HEXAGON BOLT	4					
	45	512L 0800	HEXAGON NUT	4					
	46	11113 408	STAY	2					
	47	512L 0800	HEXAGON NUT	2					
	48	31057 181	HEXAGON BOLT	2					
	49	342L 0612	FLANGE BOLT TAPPING	2					
	50								
	51								
	52	71008 369	GEAR CASE ASSY	1					
	53								
	54								
	55	733L 1000	SNAP PIN	1					
	56								
	57								
	58								
	59	122039	ENGINE:HONDA GXV160H2-SFL1-R280	1					
	60		WOOD RUFF KEY	1					



PARTS LIST
GEAR CASE ASSY (71008-369)

P/L No. 46014-265-02

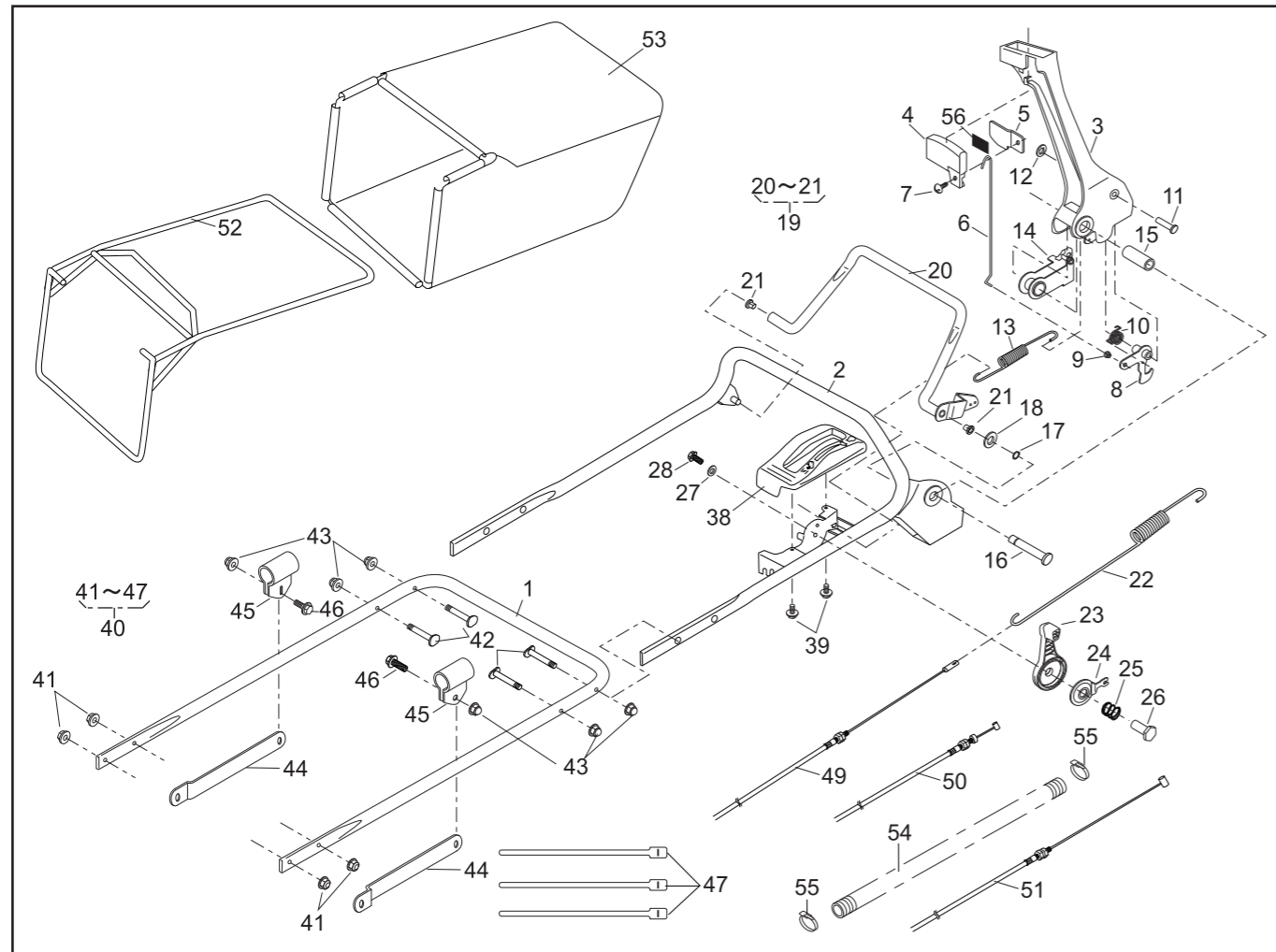
REF. No.	PARTS No.	PARTS NAME	GEAR CASE		PRICE()	1/2		REMARKS
			Q'TY INCLUDING			RECOMM.(%) Lot.100		
1	71008 369	GEAR CASE ASSY	1			-		
2	51001 279	GEAR CASE(L)	1			3		
3	51001 280	GEAR CASE(R)	1			3		
4	76007 167	BUSH	1			3		
5	61002 161	OIL SEAL	1			5		SD 10 20 5
6	61002 162	OIL SEAL	1			5		SD 8 14 4
7	61002 188	OIL SEAL	2			5		SD 28 38 6
8	214B 1350	O-RING	1			5		
9	11083 201	COLLAR	2			3		
10	78003 130	PINION	1			5		
11	61003 109	THRUST PLATE	1			3		
12	68007 132	SIM	0-2			5		
13	78001 162	BEVEL GEAR	1			3		
14	61024 118	SPACER	2			3		φ 16.2 × φ 24 × t1
15	11129 107	CLUTCH	1			3		
16	11097 106	SHIFTER FORK	1			5		
17	64014 242	SHAFT	1			3		
18	91020 147	KEY	1			3		
19	36112 115	SPROCKET	1			3		
20	91074 107	CHAIN	1			3		
21	64014 243	SHAFT	1			3		
22	927B 1512	NEEDLE BEARING	2			3		FJ1512
23	61002 189	OIL SEAL	2			5		SO 15 21 3
24	61024 171	SPACER	2			3		φ 28.2 × φ 36 × t1
25	812V 2800	C-SNAP RING	2			3		φ 28



PARTS LIST
GEAR CASE ASSY (71008-369)

P/L No. 46014-265-02

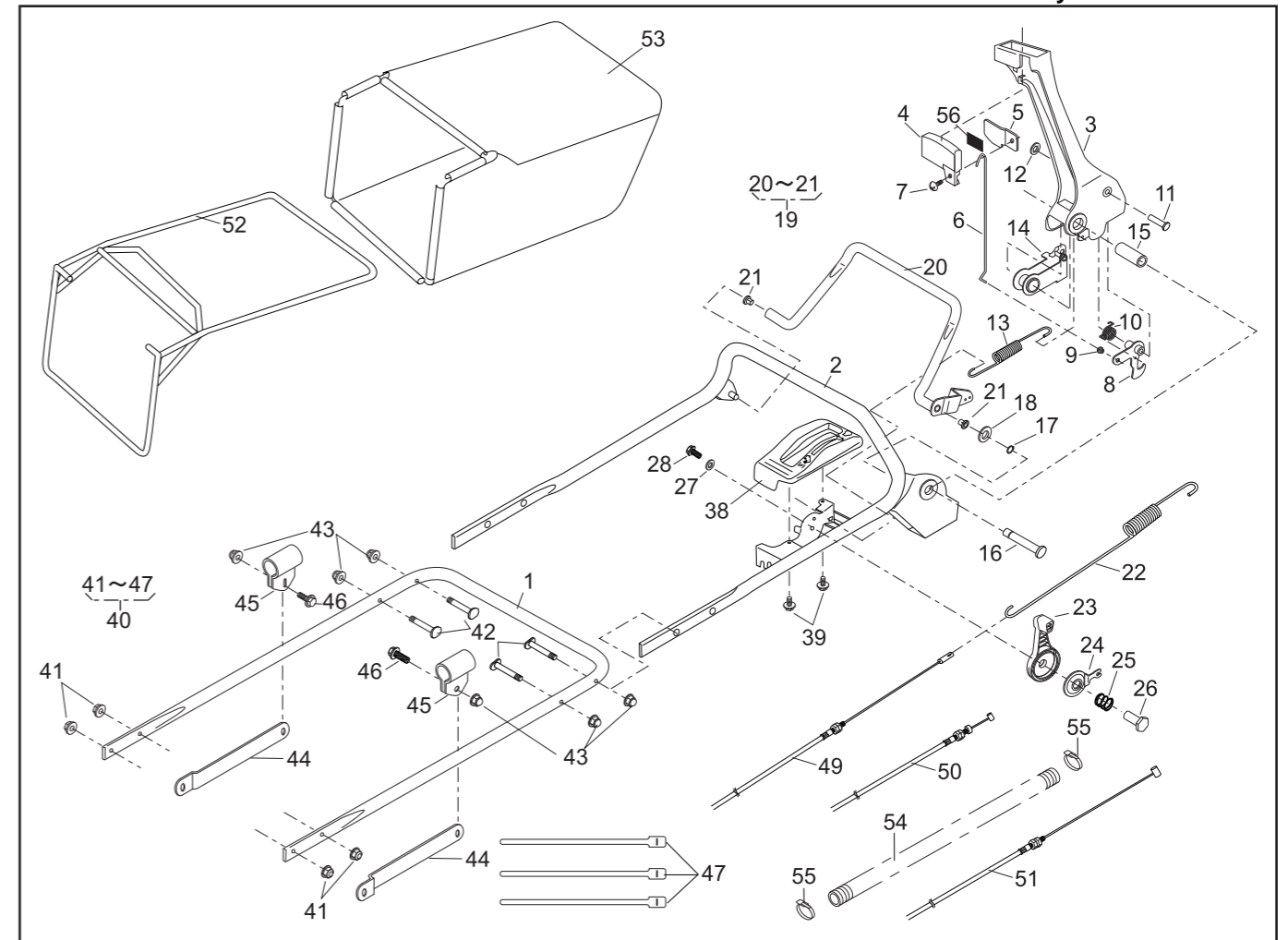
REF. No.	PARTS No.	PARTS NAME	GEAR CASE		PRICE()	2/2		REMARKS
			Q'TY INCLUDING			RECOMM.(%) Lot.100		
26	91097 101	UNIVERSAL JOINT	1			3		
27	812V 2000	C-SNAP RING	1			3		φ 20
28	717B 0418	PARALLEL PIN	1			3		φ 4 × 18
29	11104 169	ARM	1			3		
30	36065 311	COVER	1			3		
Z	31	11006 148	STAY C.P.	1		5		
	32	31057 262	HEXAGON BOLT	1		3		
	33	68001 110	FIBER WASHER	1		3		
	34	315L 0625	(+)HEXAGON BOLT(SW,PW)	3		3		M6 × 25
	35	315L 0630	(+)HEXAGON BOLT(SW,PW)	2		3		M6 × 30
	36	322L 0635	(+)HEXAGON BOLT	2		3		M6 × 35
	37	580L 0600	FLANGE LOCK NUT	2		3		M6
	38	315L 0616	(+)HEXAGON BOLT(SW,PW)	2		3		M6 × 16
	39	311M 0630	HEXAGON BOLT	1		3		M6 × 30 8T
	40	611L 0600	PLAIN WASHER	3		3		M6
	41	613L 0600	PLAIN WASHER	1		3		M6
	42	571L 0600	FLANGE NUT	1		3		M6



PARTS LIST

P/L No. 46014-496-00

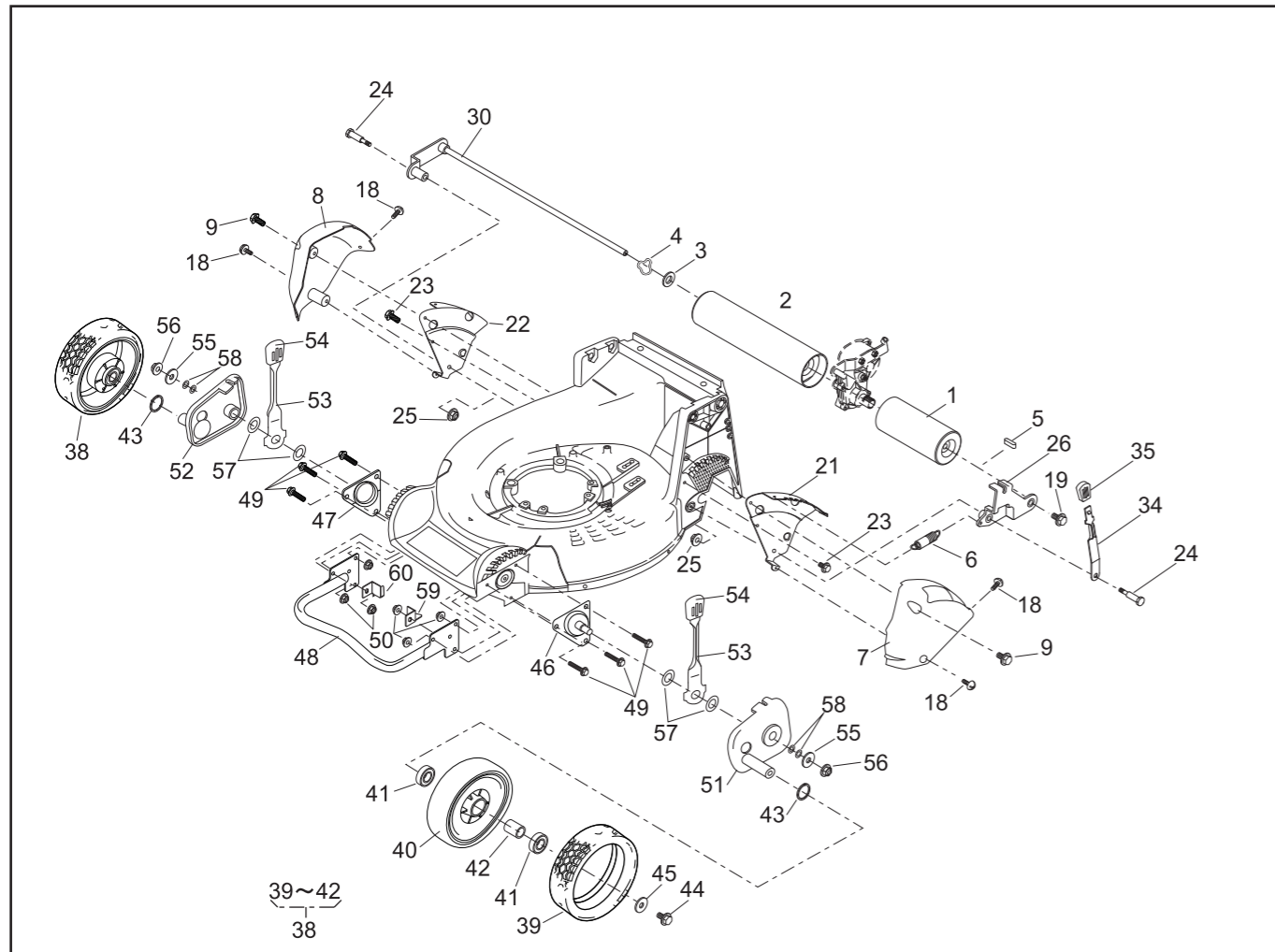
NOTE	REF. No.	PARTS No.	PARTS NAME	HANDLE-ROLLER-PRO		RECOMM.(%) Lot.100	REMARKS
				Q'TY INCLUDING	PRICE()		
	1	51027 249	HANDLE	1			
	2	51027 250	HANDLE	1			
	3	11095 172	LEVER(BBC)	1			
	4	36110 102	BUTTON	1			
	5	11049 109	SLIDE PLATE	1			
	6	64014 336	SHAFT	1			
	7	376L 0612	(+)TRUSS SCREW	1			
	8	71203 135	ARM C.P.	1			
	9	76007 183	BUSH	1			
	10	68013 371	SPRING	1			
	11	31056 127	GIB-HEADED PIN	1			
	12	576V 0600	PUSH NUT	1			
	13	68013 392	SPRING	1			
	14	11109 111	LINK	1			
	15	61023 190	SLEEVE	1			
	16	64014 337	SHAFT	1			
	17	812V 0800	C-SNAP RING	1			
	18	613L 0800	PLAIN WASHER	1			
	19	71161 114 09	LEVER ASS'Y	1			
	20		LEVER	1			
	21	76007 131	BUSH	2			
	22	68013 382	SPRING	1			
	23	91010 169	THROTTLE LEVER(GXV120/GXV160)	1			
	24	61003 113	THRUST PLATE	1			
	25	68013 356	SPRING	1			
	26	31058 168	HEXAGON NUT	1			
	27	68036 125	WASHER	1			
	28	318L 0612	(+)HEX.BOLT(SW)	1			
	29						
	30						



PARTS LIST

P/L No. 46014-496-00

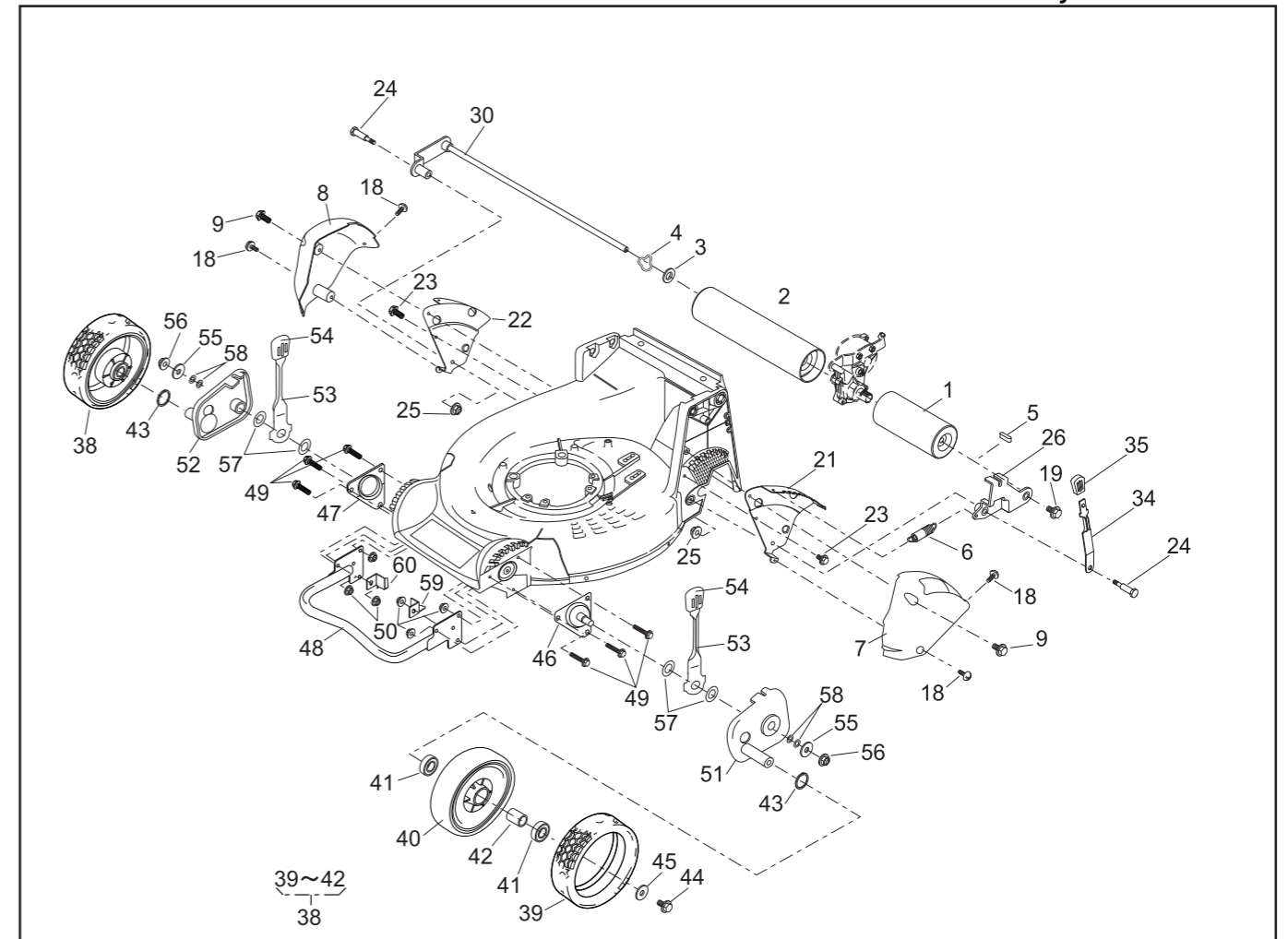
NOTE	REF. No.	PARTS No.	PARTS NAME	HANDLE-ROLLER-PRO		RECOMM.(%) Lot.100	REMARKS
				Q'TY INCLUDING	PRICE()		
	31						
	32						
	33						
	34						
	35						
	36						
	37						
	38	71900 797	COVER ASS'Y	1			
	39	470L 0514	(+)TAPPING SCREW	2			
	40	71900 845	BOLT SET	1			
	41	569L 0800	FLANGE NYLON NUT	4			
	42	31057 256	HEXAGON BOLT	4			
	43	583L 0800	FLANGE CAP NUT	6			
	44	71900 846	BAR SET	1			
	45	11012 132	HANGER BAND	2			
	46	31057 181	HEXAGON BOLT	2			
	47	68028 118	WIRE BAND	3			
	48						
	49	91003 165	CONTROL CABLE	1			
	50	91001 329	THROTTLE WIRE(GXV120/GXV160)	1			
	51	91003 169	CONTROL CABLE(BBC)	1			
	52	11062 178	FRAME C.P.	1			
	53	36098 132	GRASS BAG C.P.(KAAZ)	1			
	54	41003 201	TUBE (15.6x800L)	1			
	55	68028 119	WIRE BAND	2			
	56	36080 156	RUBBER SHEET	1			
	57						
	58						
	59						
	60						



PARTS LIST

P/L No. 46014-512-00

REF. No.	PARTS No.	PARTS NAME	8"AI-ROLLER-PRO		RECOMM.(%) Lot.100	REMARKS
			Q'TY INCLUDING	PRICE()		
1	36099 102	ROLLER(L)	1			
2	36099 103	ROLLER(R)	1			
3	61024 118	SPACER	0~2			
4	664V 0016	WAVE SPRING WASHER	0~2			
5	91020 131	KEY	1			
6	68013 265	SPRING	1			
7	36065 444	COVER	1			
8	36065 445	COVER	1			
9	342L 0616	FLANGE TAPPING BOLT	2			
10						
11						
12						
13						
14						
15						
16						
17						
18	475L 0516	(+)TAPPING SCREW	4			
19	31057 181	HEXAGON BOLT	1			
20						
21	11113 411	STAY(RL)	1			
22	11113 412	STAY(RR)	1			
23	342L 0612	FLANGE BOLT TAPPING	2			
24	31057 261	HEXAGON BOLT	2			
25	569L 0800	FLANGE NYLON NUT	2			
26	11142 136	ADJUSTER(L)	1			
27						
28						
29						
30	11142 137	ADJUSTER(R)	1			



PARTS LIST

P/L No. 46014-512-00

REF. No.	PARTS No.	PARTS NAME	8"AI-ROLLER-PRO		RECOMM.(%) Lot.100	REMARKS
			Q'TY INCLUDING	PRICE()		
31						
32						
33						
34	11150 108 09	ADJUST LEVER	1			
35	36061 121	KNOB	1			
36						
37						
38	71041 135	WHEEL ASSY(A.W.)	2			
39	91086 113	TIRE	2			
40		WHEEL	2			
41	916B 6002	BEARING	4			
42	11083 332	COLLAR	2			
43	51113 119	RING	2			
44	31057 181	HEXAGON BOLT	2			
45	68036 101	WASHER	2			
46	11006 153	STAY C.P.(FL)	1			
47	11006 154	STAY C.P.(FR)	1			
48	11153 112	BUMPER	1			
49	335L 0625	FLANGE BOLT	6			
50	569L 0600	FLANGE NYLON NUT	6			
51	11142 129	ADJUSTER(FL)	1			
52	11142 130	ADJUSTER(FR)	1			
53	11150 109 09	ADJUST LEVER	2			
54	36061 121	KNOB	2			
55	68036 101	WASHER	2			
56	584L 0800	U-FLANGE NUT	2			
57	68013 393	SPRING	4			
58	68007 105	SHIM	0~4			
59	11113 418	STAY(L)	1			
60	11113 417	STAY(R)	1			