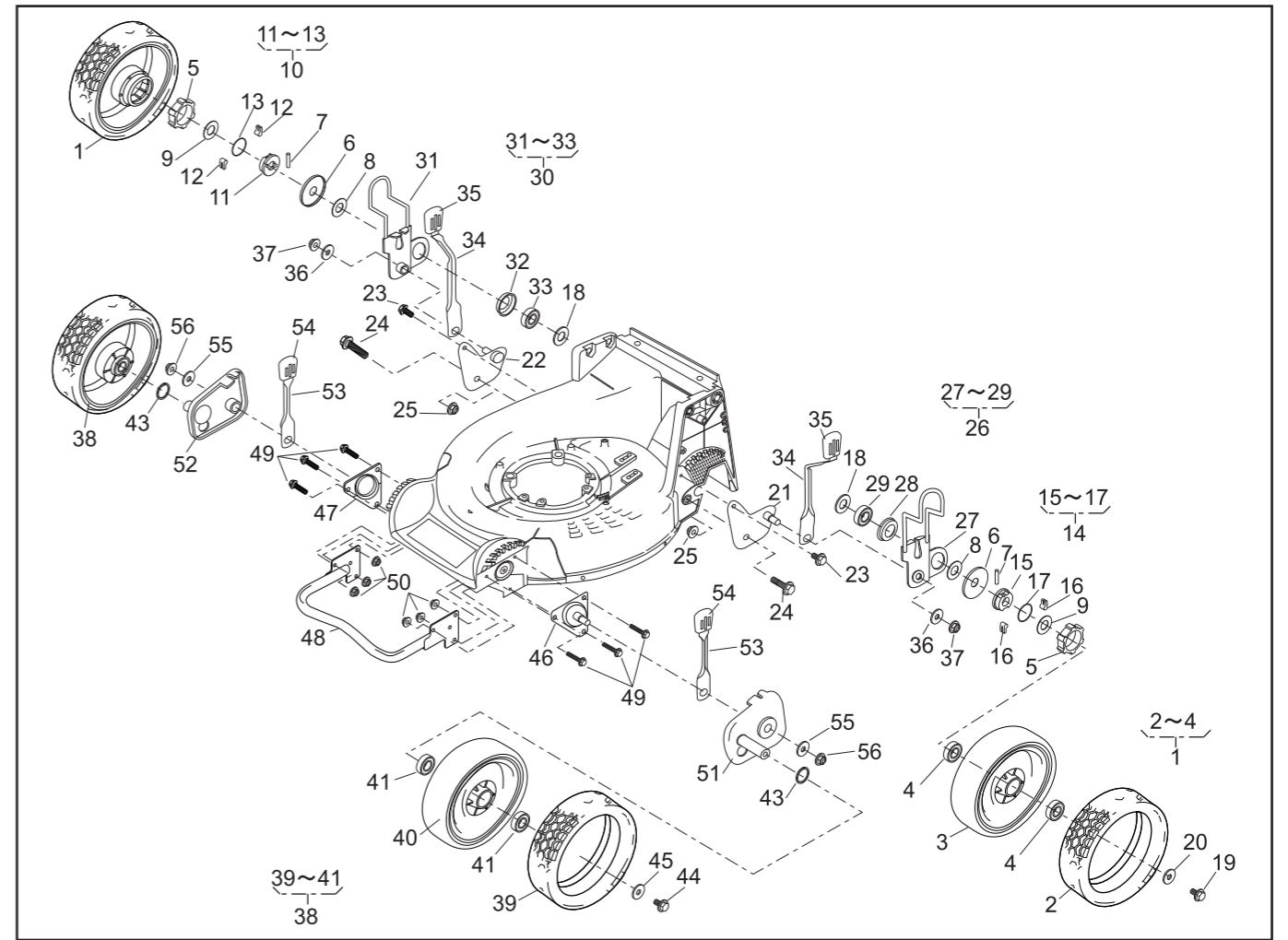


PARTS LIST

46014-225

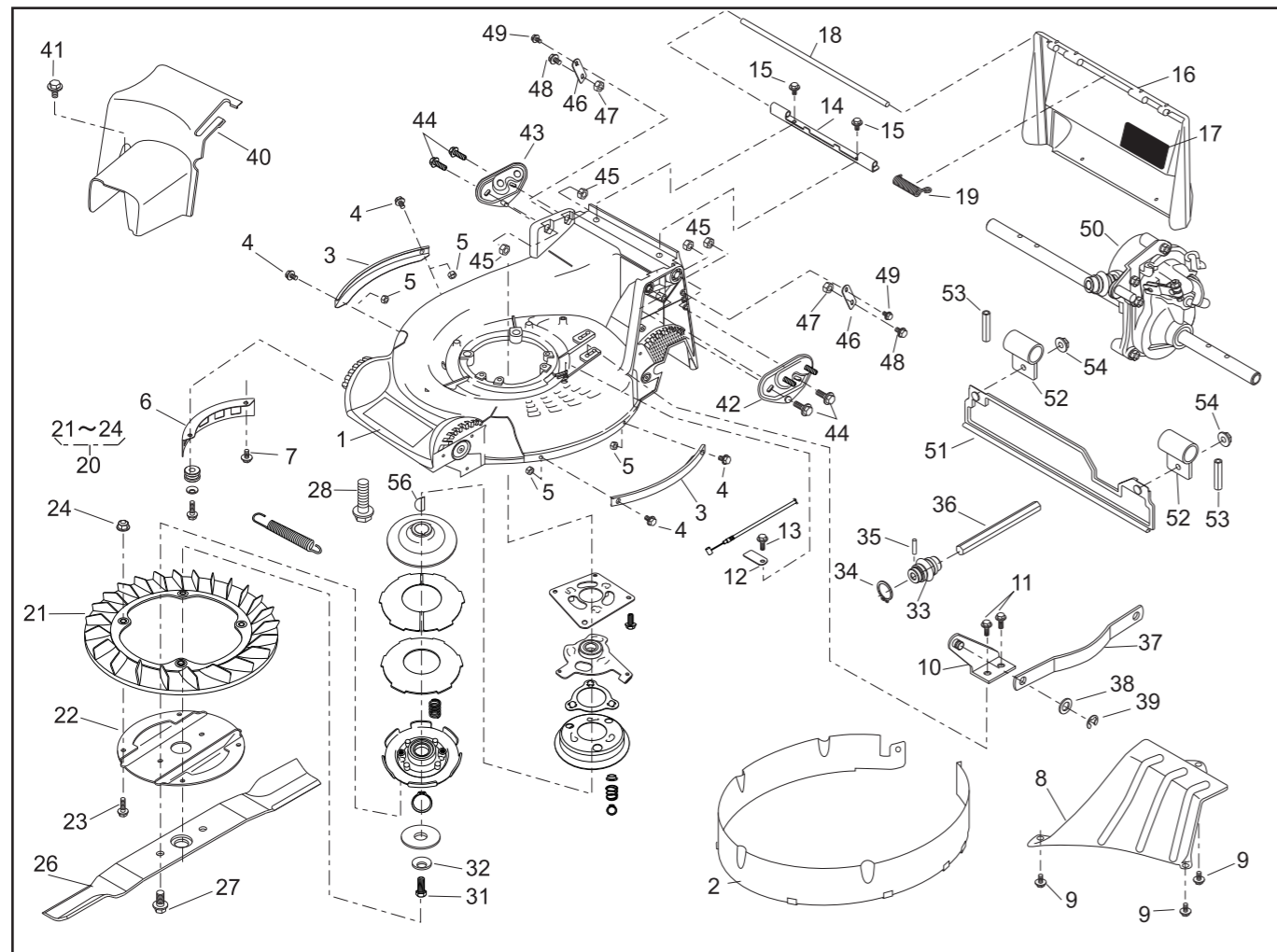
REF. No.	PARTS No.	PARTS NAME	9.6"AI-WHEEL		PRICE()	RECOMM.(%) Lot.100	REMARKS
			Q'TY INCLUDING				
1	71041 144	WHEEL ASSY(9.6"A.W.)	2				
2	91086 116	TIRE	2				
3		WHEEL	2				
4	916B 6002	BEARING	4				
5	11086 119	STOPPER	2				
6	61003 112	THRUST PLATE	2				
7	31034 137	PIN	2				
8	68036 270	WASHER	2				
9	68036 146	WASHER	2				
10	71158 101	RATCHET ASSY(R)	1				
11	11102 138	HOLDER	1				
12	31034 170	PIN	2				
13	68013 266	SPRING	1				
14	71158 102	RATCHET ASSY(L)	1				
15	11102 138	HOLDER	1				
16	31034 170	PIN	2				
17	68013 266	SPRING	1				
18	68036 275	WASHER	2				
19	31057 181	HEXAGON BOLT	2				
20	68036 101	WASHER	2				
21	11006 151	STAY C.P.(RL)	1				
22	11006 152	STAY C.P.(RR)	1				
23	342L 0612	FLANGE BOLT TAPPING	2				
24	31057 255	HEXAGON BOLT	2				
25	569L 0800	FLANGE NYLON NUT	2				
26	71122 110	ADJUSTER ASSY(L)	1				
27	11142 125	ADJUSTER(RL)	1				
28	11102 228	HOLDER	1				



PARTS LIST

46014-225

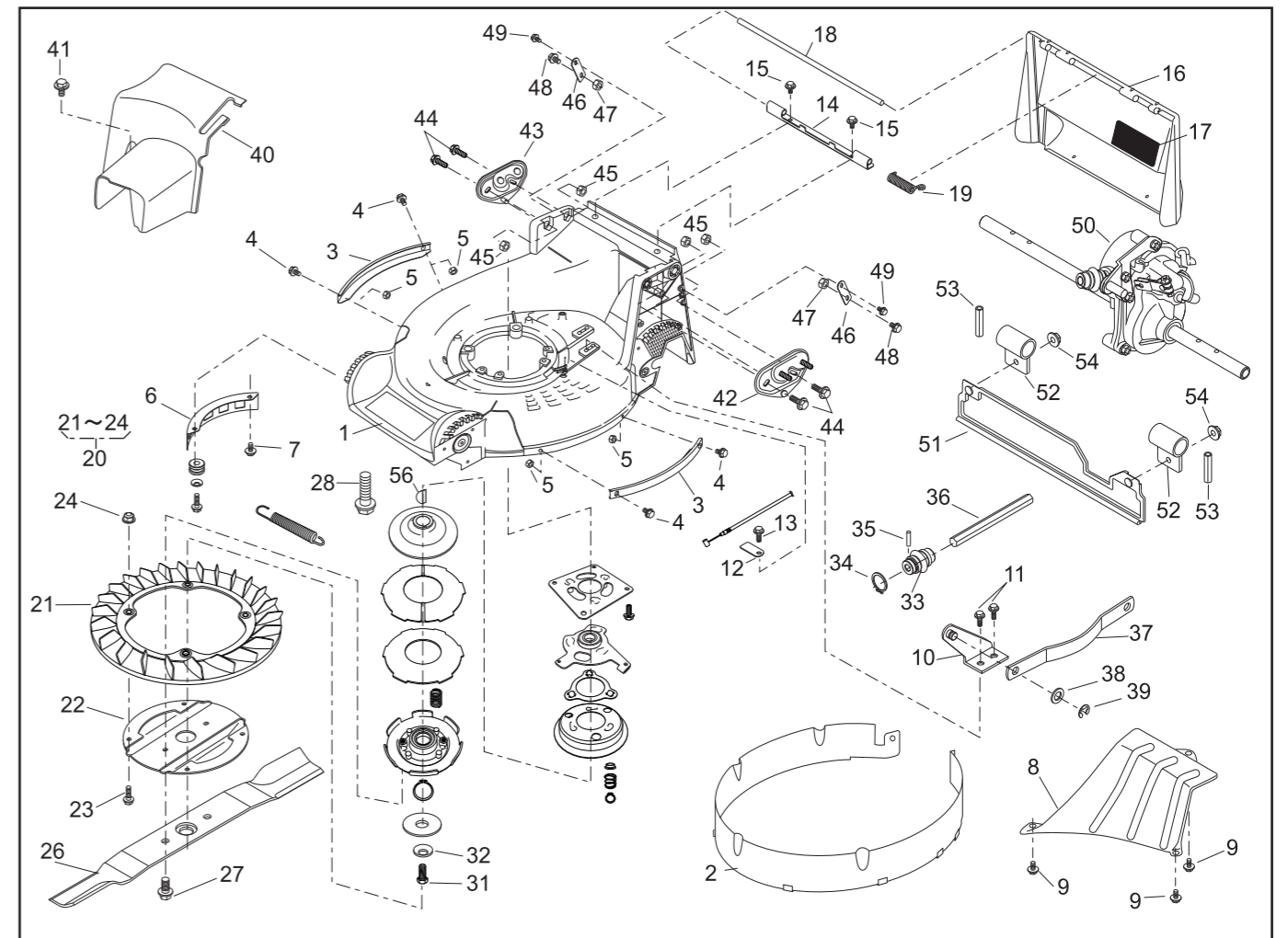
REF. No.	PARTS No.	PARTS NAME	9.6"AI-WHEEL		PRICE()	RECOMM.(%) Lot.100	REMARKS
			Q'TY INCLUDING				
29	916B 6202	BEARING	1				
30	71122 111	ADJUSTER ASSY(R)	1				
31	11142 126	ADJUSTER(RR)	1				
32	11102 228	HOLDER	1				
33	916B 6202	BEARING	1				
34	11150 105 09	ADJUST LEVER	2				
35	36061 121	KNOB	2				
36	613L 0800	WASHER	2				
37	569L 0800	FLANGE NYLON NUT	2				
38	71041 145	WHEEL ASSY(9.6"A.W.)	2				
39	91086 116	TIRE	2				
40		WHEEL	2				
41	916B 6002	BEARING	4				
42							
43	51113 119	RING	2				
44	31057 181	HEXAGON BOLT	2				
45	68036 101	WASHER	2				
46	11006 153	STAY C.P.(FL)	1				
47	11006 154	STAY C.P.(FR)	1				
48	11153 112	BUMPER	1				
49	335L 0625	FLANGE BOLT	6				
50	569L 0600	FLANGE NYLON NUT	6				
51	11142 127	ADJUSTER(FL)	1				
52	11142 128	ADJUSTER(FR)	1				
53	11150 106 09	ADJUST LEVER	2				
54	36061 121	KNOB	2				
55	613L 0800	WASHER	2				
56	569L 0800	FLANGE NYLON NUT	2				



PARTS LIST
Serial No. 3000001~

46014-232

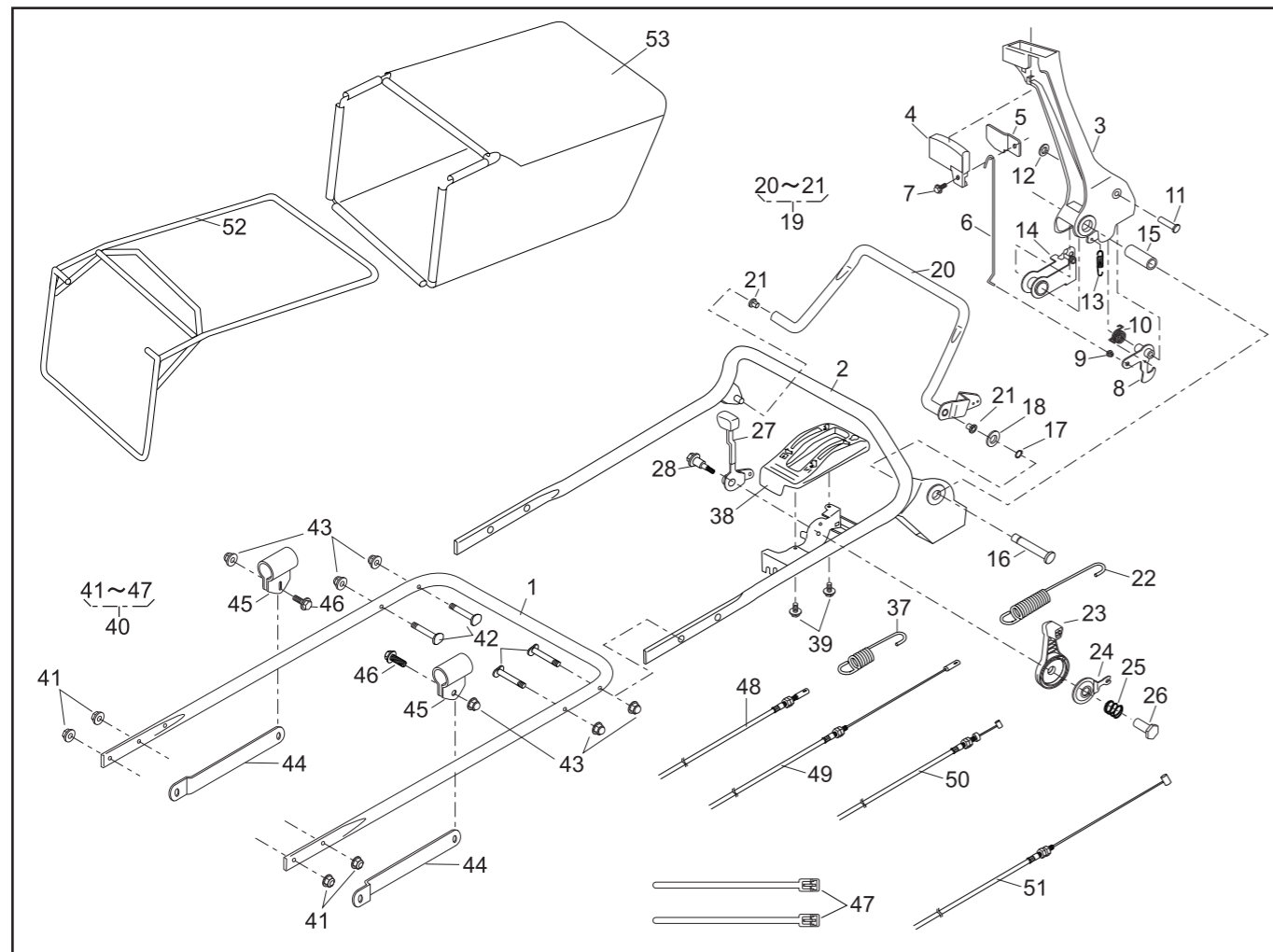
REF. No.	PARTS No.	PARTS NAME	GRASS-CUTTING-Pro		PRICE()	1/2		REMARKS
			Q'TY	INCLUDING		RECOMM.(%)	Lot.100	
1	51043 147 42	HOUSING	1					
2	36068 197	GUARD	1					
3	51090 117 09	PROTECTOR	2					
4	335L 0616	FLANGE BOLT	4					
5	512L 0600	HEXAGON NUT	4					
6	36065 180	COVER	1					
7	342L 0612	FLANGE BOLT TAPPING	1					
8	36065 436	COVER	1					
9	342L 0612	FLANGE BOLT TAPPING	3					
10	11006 155	STAY C.P.	1					
11	342L 0612	FLANGE BOLT TAPPING	2					
12	11113 407	STAY	1					
13	342L 0612	FLANGE BOLT TAPPING	1					
14	11113 292	STAY	1					
15	342L 0612	FLANGE BOLT TAPPING	2					
16	36068 196 46	GUARD	1					
17	36080 149	RUBBER SHEET	1					
18	64014 324	SHAFT	1					
19	68013 336	SPRING	1					
20	71082 111	FAN ASSY	1					
21	51125 103	FAN	1					
22	11102 151	HOLDER	1					
23	31062 169	PRE-COAT LOCK BOLT	4					
24	579L 0600	FLANGE NUT	4					
25								
26	91014 159 59	BLADE	1					
27	335M 1020	FLANGE BOLT	2					
28	335L 1040	FLANGE BOLT	4					



PARTS LIST
Serial No. 3000001~

46014-232

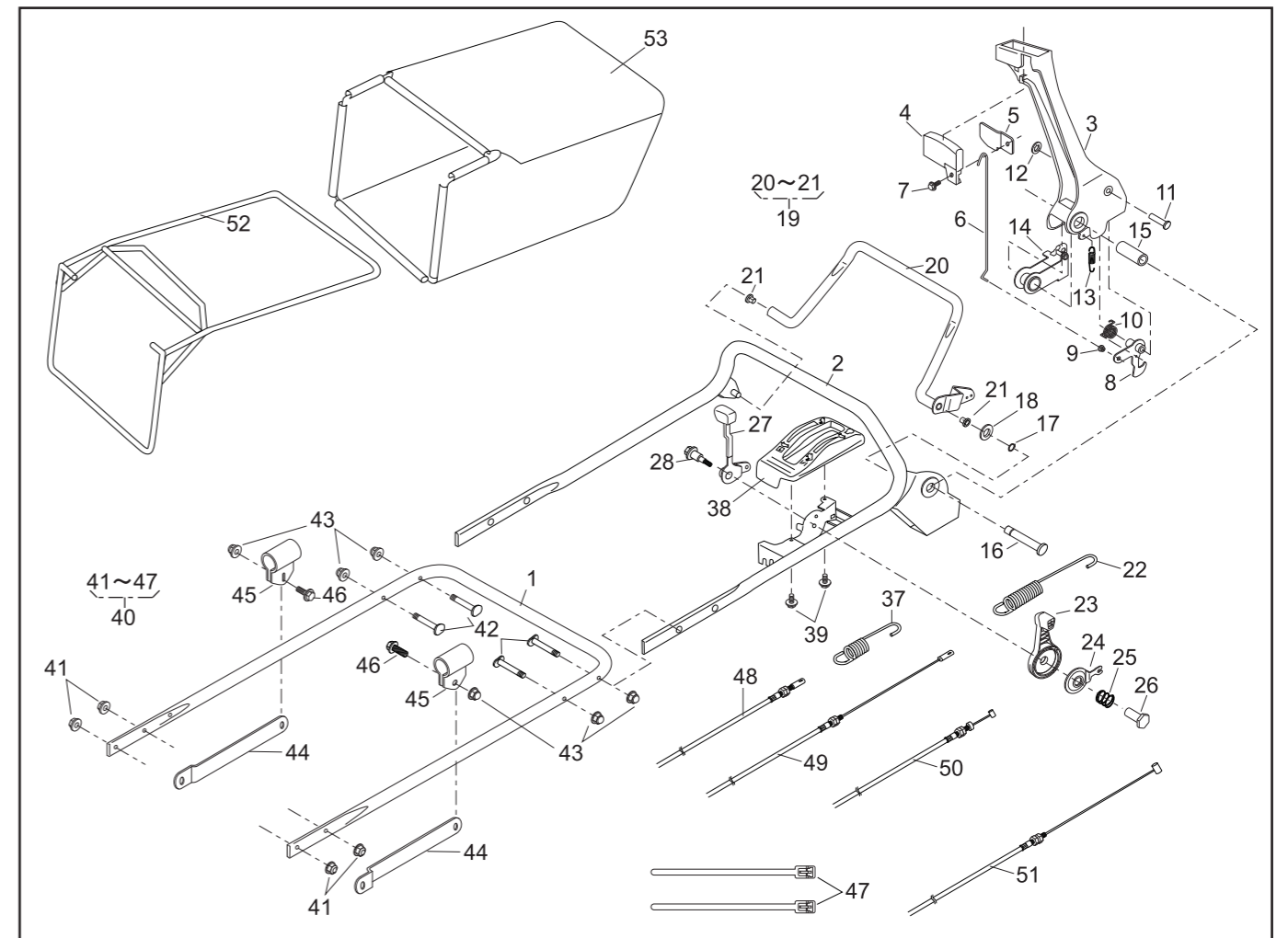
REF. No.	PARTS No.	PARTS NAME	GRASS-CUTTING-Pro		PRICE()	2/2		REMARKS
			Q'TY	INCLUDING		RECOMM.(%)	Lot.100	
29								
30	71067 115	BRAKE ASSY	1					
31	31057 259	HEXAGON BOLT	1					
32	671V 1000	CONICAL SPRING WASHER	1					
33	91097 101	UNIVERSAL JOINT	1					
34	812V 2000	C-SNAP RING FOR SHAFT	1					
35	717B 0418	PARALLEL PIN	1					
36	64014 357	SHAFT	1					
37	91049 129	CONNECTOR	1					
38	68036 280	WASHER	1					
39	816V 0800	E-SNAP RING	1					
40	36065 438	COVER	1					
41	342L 0616	FLANGE BOLT TAPPING	1					
42	51116 149	HANDLE BRACKET(L)	1					
43	51116 150	HANDLE BRACKET(R)	1					
44	31057 255	HEXAGON BOLT	4					
45	512L 0800	HEXAGON NUT	4					
46	11113 408	STAY	2					
47	512L 0800	HEXAGON NUT	2					
48	31057 181	HEXAGON BOLT	2					
49	342L 0612	FLANGE BOLT TAPPING	2					
50	71008 377	GEAR CASE ASSY	1					
51	36046 150	SAFETY GUARD	1					
52	11012 126	HANGER BAND	2					
53	711V 0522	SPRING PIN	2					
54	569L 0600	FLANGE NYLON NUT	2					
55	122038	ENGINE:KAWASAKI FC180V-CC50	1					
56		KEY	1					



PARTS LIST
Serial No. 3000001~

46014-245

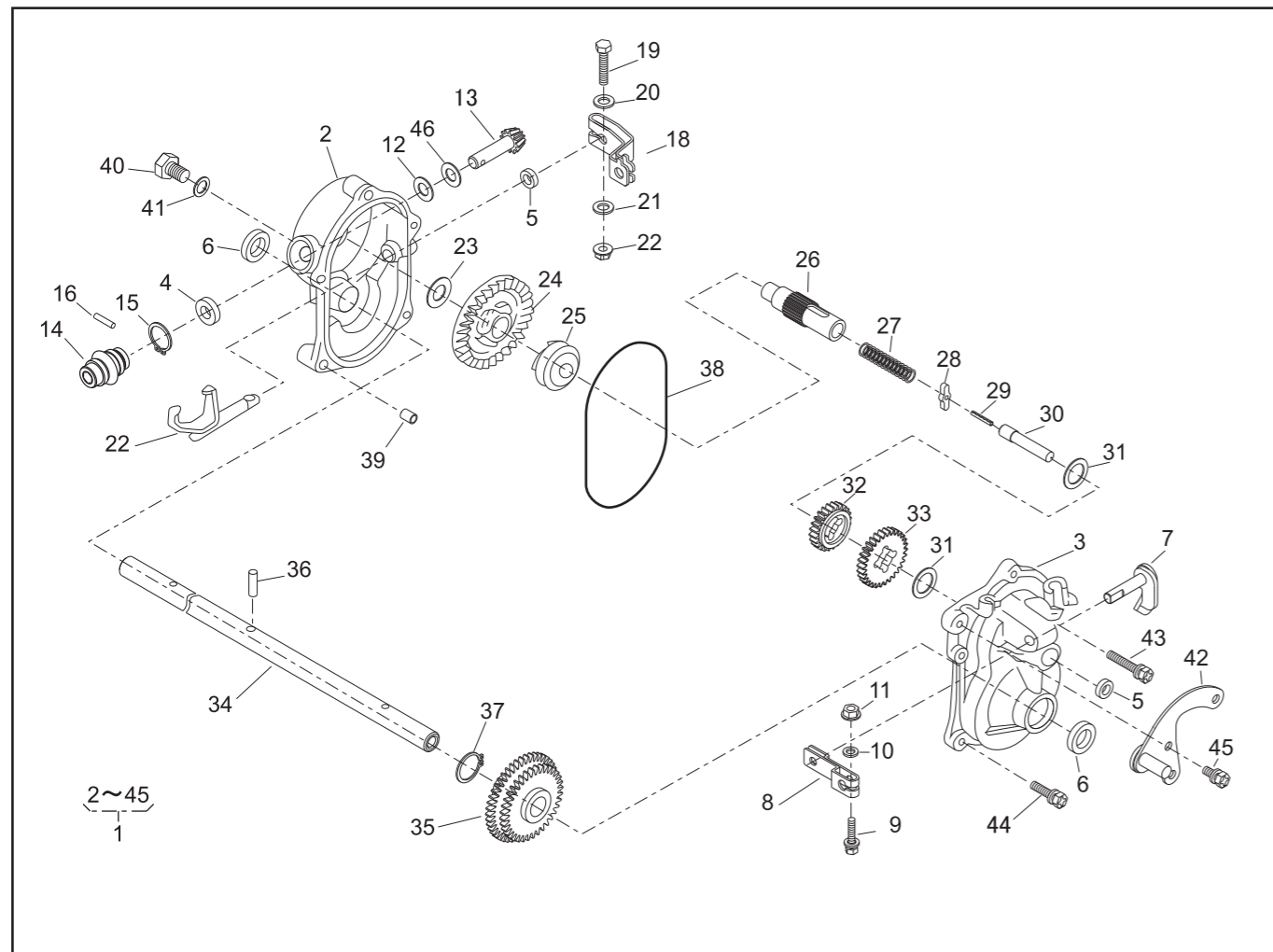
REF. No.	PARTS No.	PARTS NAME	HANDLE-Pro		1/2	Feb.08,2005	REMARKS
			Q'TY INCLUDING	PRICE()			
1	51027 249	HANDLE	1				
2	51027 250	HANDLE	1				
3	11095 172	LEVER(BBC)	1				
4	36110 102	BUTTON	1				
5	11049 109	SLIDE PLATE	1				
6	64014 336	SHAFT	1				
7	335N 0612	FLANGE BOLT	1				
8	71203 135	ARM C.P.	1				
9	76007 183	BUSH	1				
10	68013 371	SPRING	1				
11	31056 127	GIB-HEADED PIN	1				
12	576V 0600	PUSH NUT	1				
13	68013 372	SPRING	1				
14	11109 111	LINK	1				
15	61023 190	SLEEVE	1				
16	64014 337	SHAFT	1				
17	812V 0800	C-SNAP RING FOR SHAFT	1				
18	613L 0800	WASHER	1				
19	71161 114 09	LEVER ASSY	1				
20		LEVER	1				
21	76007 131	BUSH	2				
22	68013 374	SPRING	1				
23	91010 147	THROTTLE LEVER(FC150V/FC180V)	1				
24	61003 113	THRUST PLATE	1				
25	68013 356	SPRING	1				
26	31058 168	NUT	1				
27	11095 117	LEVER	1				
28	31062 109	PRE-COAT LOCK BOLT	1				



PARTS LIST
Serial No. 3000001~

46014-245

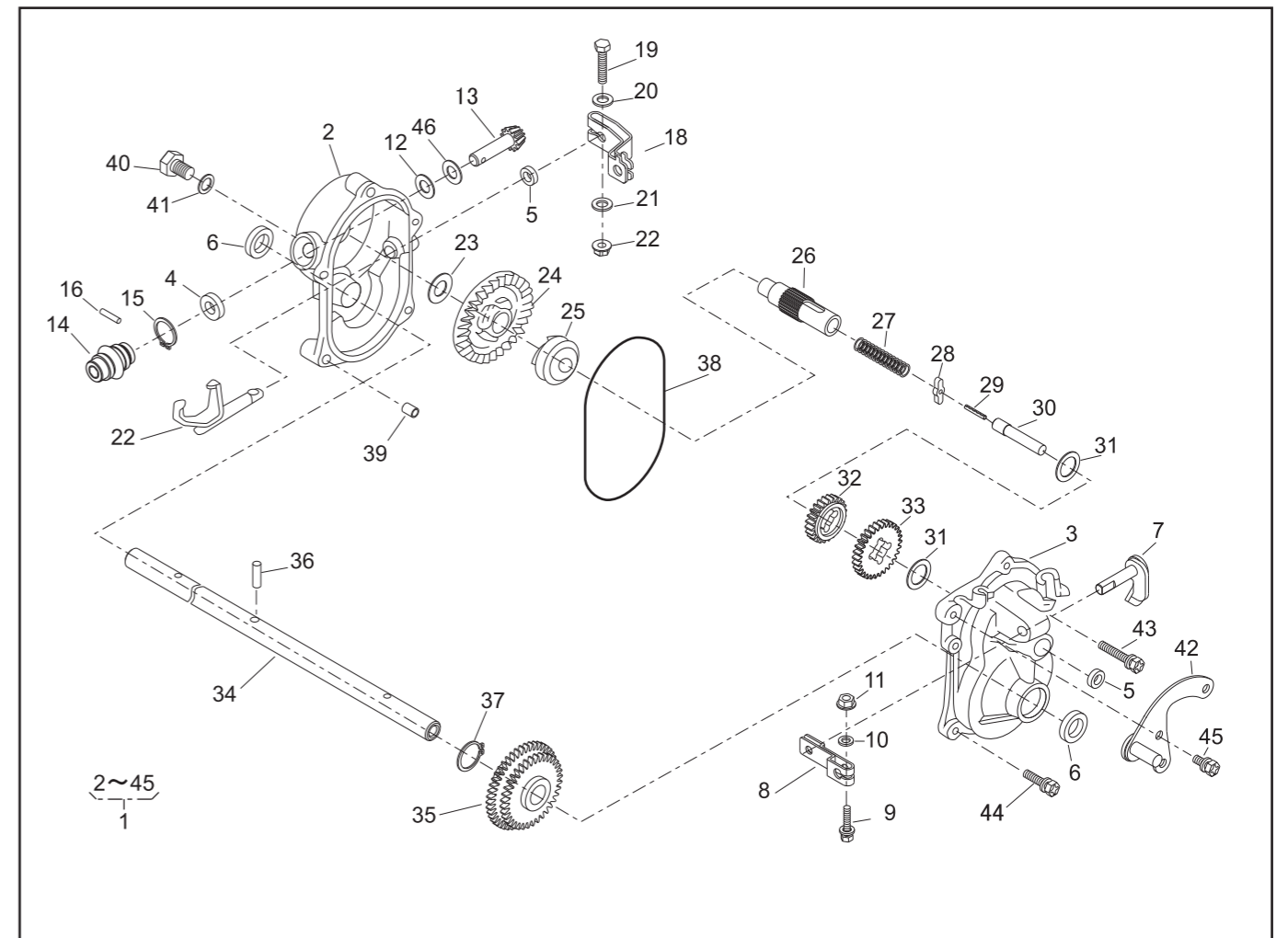
REF. No.	PARTS No.	PARTS NAME	HANDLE-Pro		2/2	Feb.08,2005	REMARKS
			Q'TY INCLUDING	PRICE()			
29							
30							
31							
32							
33							
34							
35							
36							
37	68013 161	SPRING	1				
38	71900 794	COVER ASSY	1				
39	470L 0514	(+)TAPPING SCREW	2				
40	71900 845	BOLT SET	1				
41	569L 0800	FLANGE NYLON NUT	4				
42	31057 256	BOLT	4				
43	583L 0800	FLANGE CAP NUT	6				
44	71900 846	BAR SET	1				
45	11012 132	HANGER BAND	2				
46	31057 181	HEXAGON BOLT	2				
47	68028 103	WIRE BAND	2				
48	91003 125	CONTROL CABLE	1				
49	91003 170	CONTROL CABLE	1				
50	91001 328	THROTTLE WIRE(FC180V)	1				
51	91003 169	CONTROL CABLE(BBC)	1				
52	11062 178	FRAME C.P.	1				
53	36098 132	GRASS BAG C.P.(KAAZ)	1				
54							
55							
56							



PARTS LIST
GEAR CASE ASSY (71008-343)

46014-263

REF. No.	PARTS No.	PARTS NAME	GEAR CASE		PRICE()	1/2		REMARKS
			Q'TY INCLUDING			RECOMM.(%) Lot.100	Feb.07,2005	
1	71008 343	GEAR CASE ASSY	1			-		
2	51001 195	GEAR CASE	1			3		
3	51001 196	GEAR CASE	1			3		
4	61002 161	OIL SEAL	1			5		SD 10 20 5
5	61002 162	OIL SEAL	2			5		SD 8 14 4
6	61002 163	OIL SEAL	2			5		SD 15 24 5
7	64024 104	THIFTER SHAFT	1			3		
8	11104 119	ARM	1			3		
9	320L 0525	HEXAGON BOLT(PW)	1			3		M5 × 25
10	611L 0500	PLAIN WASHER	1			3		M5
11	571L 0500	FLANGE NUT	1			3		M5
12	61003 109	THRUST PLATE	1			5		
13	78003 130	PINION	1			3		
14	91097 101	UNIVERSAL JOINT	1			3		
15	812V 2000	C-SNAP RING FOR SHAFT		1		1		φ 20
16	717B 0418	PARALLEL PIN		1		3		φ 4 × 18
17	11097 106	SHIFTER FORK	1			3		
18	11104 137	ARM	1			3		
19	311M 0630	(+)HEXAGON BOLT	1			3		M6 × 30
20	611L 0600	PLAIN WASHER	1			3		M6
21	613L 0600	PLAIN WASHER	1			3		M6
22	571L 0600	FLANGE NUT	1			3		M6
23	61024 117	SPACER	1			5		
24	78001 162	BEVEL GEAR	1			3		
25	11129 107	CLUTCH	1			3		
26	64014 236	SHAFT	1			3		
27	68013 262	SPRING	1			3		



PARTS LIST
GEAR CASE ASSY (71008-343)

46014-263

REF. No.	PARTS No.	PARTS NAME	GEAR CASE		PRICE()	2/2		REMARKS
			Q'TY INCLUDING			RECOMM.(%) Lot.100	Feb.07,2005	
28	31034 171	PIN	1			3		
29	736U 0320	SPRING PIN	1			3		
30	64014 235	SHAFT	1			3		
31	61024 118	SPACER	2			3		
32	78004 254	GEAR	1			3		
33	78004 255	GEAR	1			3		
34	64014 163	SHAFT	1			3		
35	78012 134	GEAR C.P.	1			3		
36	31034 150	PIN	1			3		
37	812V 2200	C-SNAP RING FOR SHAFT	1			1		φ 22
38	214B 11000	O-RING	1			5		S110
39	11083 201	COLLAR	2			5		
40	31057 126	HEXAGON BOLT	1			3		
41	68001 110	FIBER WASHER	1			3		
42	11006 101	STAY C.P.	1			5		
43	315L 0625	(+)HEXAGON BOLT(SW,PW)	3			3		M6 × 25
44	315L 0635	(+)HEXAGON BOLT(SW,PW)	2			3		M6 × 35
45	318L 0612	(+)HEXAGON BOLT(SW)	1			3		M6 × 12
46	68007 132	SHIM	0~2			3		

