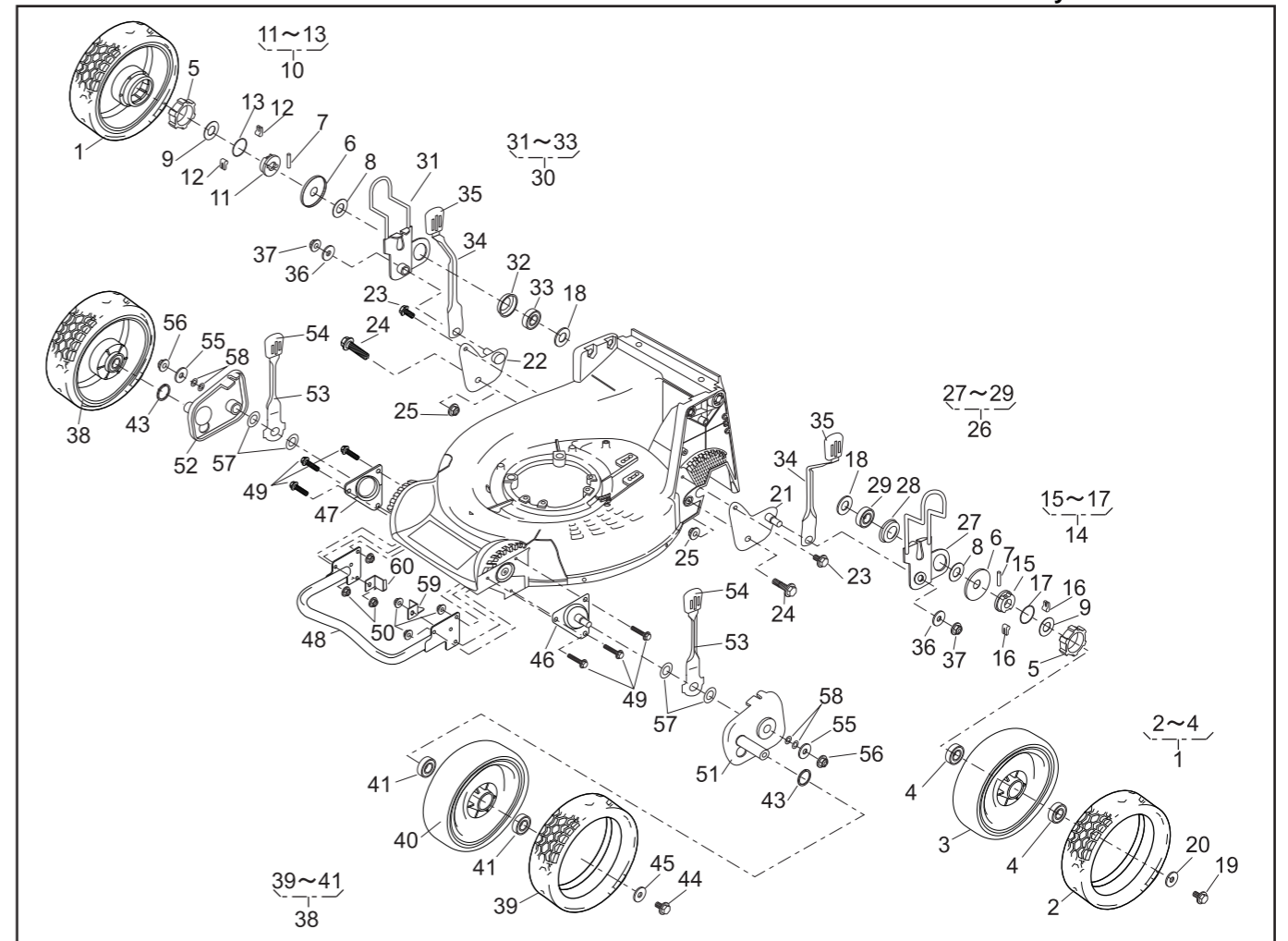


PARTS LIST

P/L No. 46014-504-00

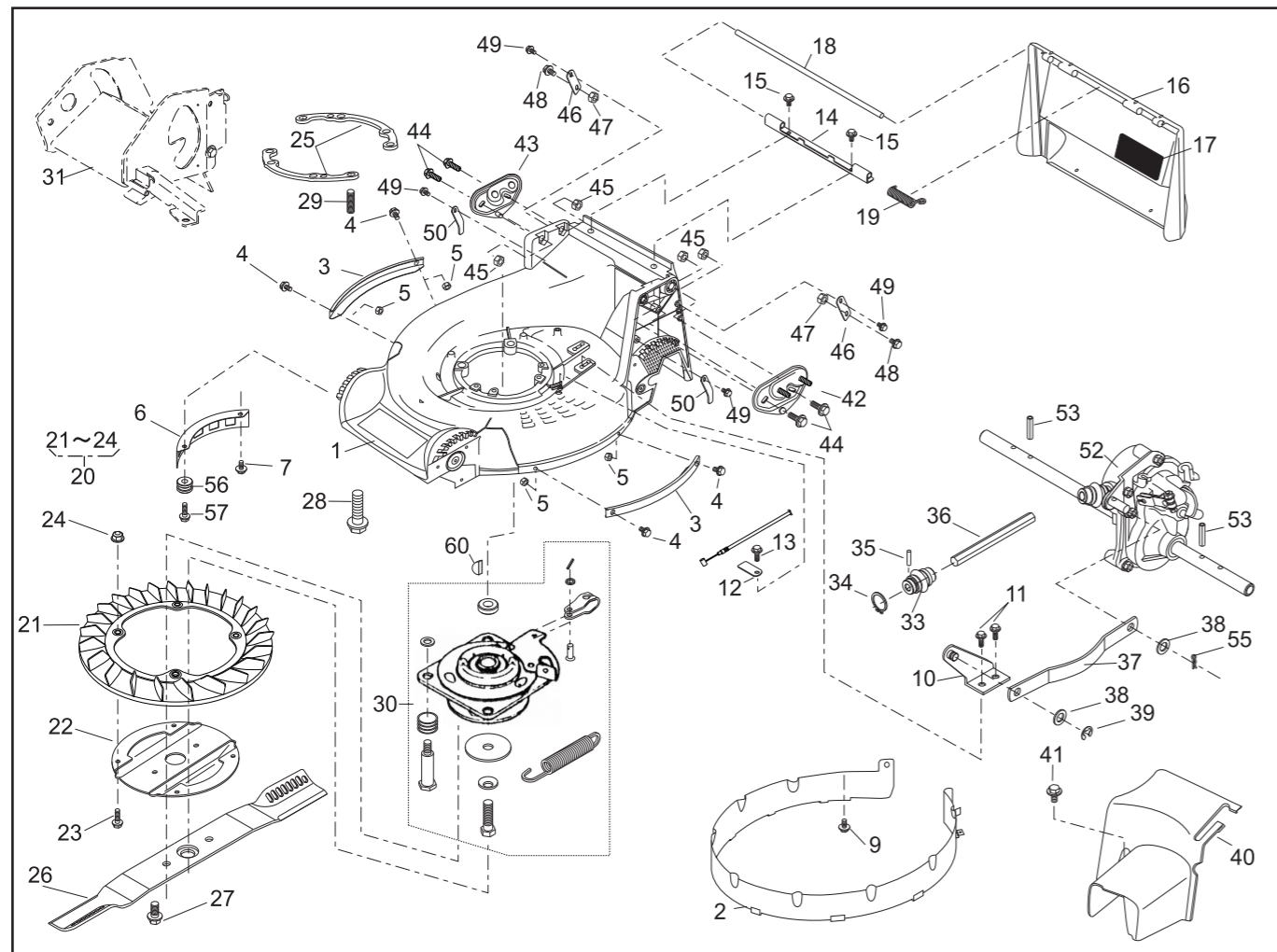
NOTE	REF. No.	PARTS No.	PARTS NAME	9.6"AI-WHEEL		PRICE( )	RECOMM.(%) Lot.100	REMARKS
				Q'TY	INCLUDING			
	1	71041   144	WHEEL ASSY(9.6"A.W.)	2				
	2	91086   116	TIRE	2				
	3		WHEEL	2				
	4	916B   6002	BEARING	4				
	5	11086   119	STOPPER	2				
	6	61003   112	THRUST PLATE	2				
	7	31034   137	PIN	2				
	8	68036   270	WASHER	2				
	9	68036   146	WASHER	2				
	10	71158   101	RATCHET ASSY(R)	1				
	11	11102   138	HOLDER	1				
	12	31034   170	PIN	2				
	13	68013   266	SPRING	1				
	14	71158   102	RATCHET ASSY(L)	1				
	15	11102   138	HOLDER	1				
	16	31034   170	PIN	2				
	17	68013   266	SPRING	1				
	18	68036   275	WASHER	2				
	19	31057   181	HEXAGON BOLT	2				
	20	68036   101	WASHER	2				
	21	11006   151	STAY C.P.(RL)	1				
	22	11006   152	STAY C.P.(RR)	1				
	23	342L   0612	FLANGE BOLT TAPPING	2				
	24	31057   255	HEXAGON BOLT	2				
	25	584L   0800	U-FLANGE NUT	2				
	26	71122   110	ADJUSTER ASSY(L)	1				
	27	11142   125	ADJUSTER(RL)	1				
	28	11102   228	HOLDER	1				
	29	916B   6202	BEARING	1				
	30	71122   111	ADJUSTER ASSY(R)	1				



PARTS LIST

P/L No. 46014-504-00

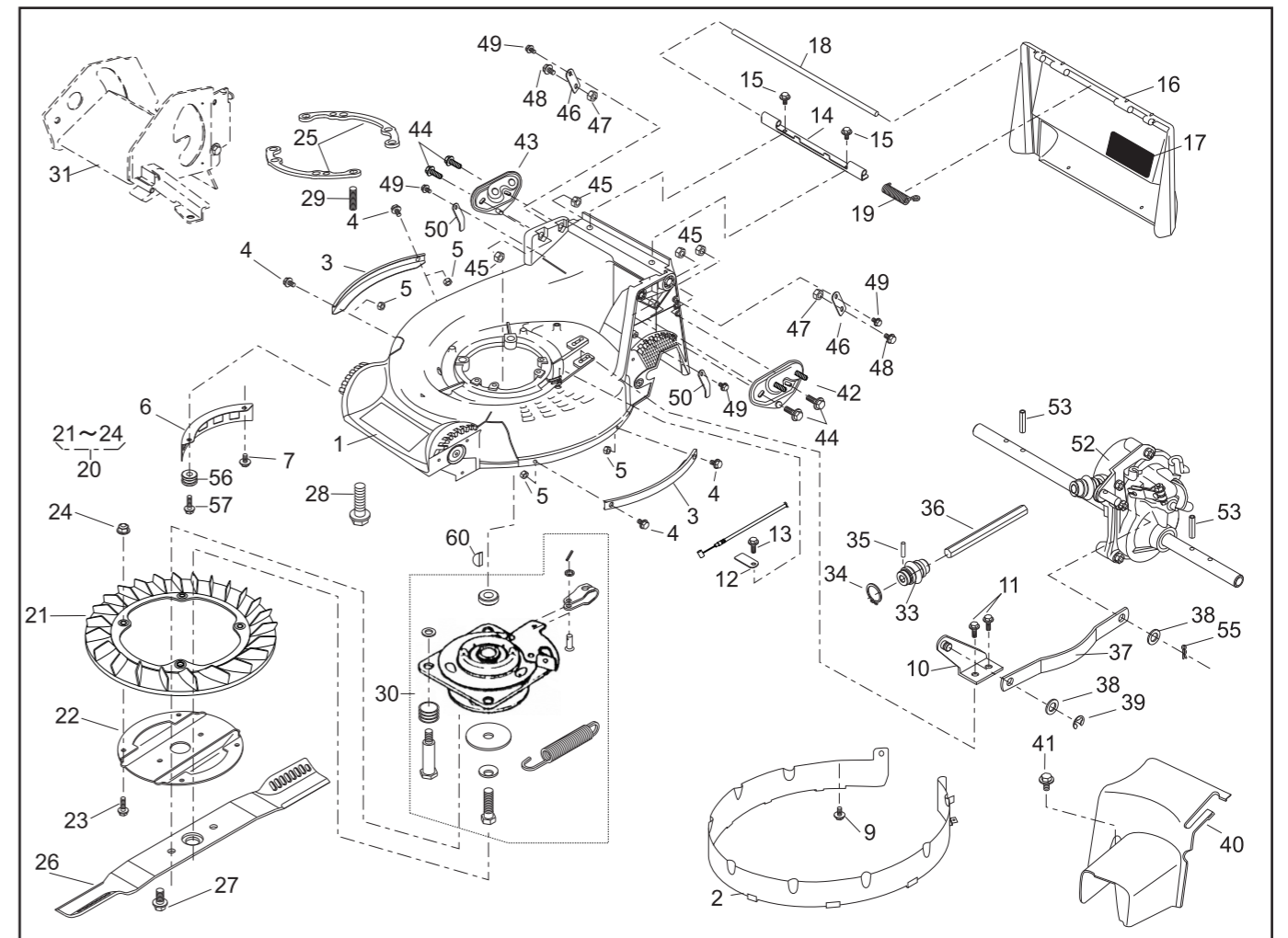
NOTE	REF. No.	PARTS No.	PARTS NAME	9.6"AI-WHEEL		PRICE( )	RECOMM.(%) Lot.100	REMARKS
				Q'TY	INCLUDING			
	31	11142   126	ADJUSTER(RR)	1				
	32	11102   228	HOLDER	1				
	33	916B   6202	BEARING	1				
	34	11150   105   09	ADJUST LEVER	2				
	35	36061   121	KNOB	2				
	36	613L   0800	WASHER	2				
	37	569L   0800	FLANGE NYLON NUT	2				
	38	71041   145	WHEEL ASSY(9.6"A.W.)	2				
	39	91086   116	TIRE	2				
	40		WHEEL	2				
	41	916B   6002	BEARING	4				
	42							
	43	51113   119	RING	2				
	44	31057   181	HEXAGON BOLT	2				
	45	68036   101	WASHER	2				
	46	11006   153	STAY C.P.(FL)	1				
	47	11006   154	STAY C.P.(FR)	1				
	48	11153   112	BUMPER	1				
	49	335L   0625	FLANGE BOLT	6				
	50	569L   0600	FLANGE NYLON NUT	6				
	51	11142   127	ADJUSTER(FL)	1				
	52	11142   128	ADJUSTER(FR)	1				
	53	11150   109   09	ADJUST LEVER	2				
	54	36061   121	KNOB	2				
	55	68036   101	WASHER	2				
	56	584L   0800	U-FLANGE NUT	2				
	57	68013   393	SPRING	4				
	58	68007   105	SHIM	0~4				
	59	11113   418	STAY(L)	1				
	60	11113   417	STAY(R)	1				



### PARTS LIST

P/L No. 46014-522-00

NOTE	REF. No.	PARTS No.	PARTS NAME	GRASS-CUTTING-PRO		PRICE( )	RECOMM.(%) Lot.100	REMARKS
				Q'TY	INCLUDING			
	1	51043   151   42	HOUSING	1				
	2	36068   204	GUARD	1				
	3	51090   117   09	PROTECTOR	2				
	4	335L   0616	FLANGE BOLT	4				
	5	512L   0600	HEXAGON NUT	4				
	6	36065   180	COVER	1				
	7	342L   0612	FLANGE TAPPING BOLT	1				
	8							
	9	342L   0612	FLANGE TAPPING BOLT	1				
	10	11006   155	STAY C.P.	1				
	11	342L   0612	FLANGE TAPPING BOLT	2				
	12	11113   407	STAY	1				
	13	342L   0612	FLANGE TAPPING BOLT	1				
	14	11113   292	STAY	1				
	15	342L   0612	FLANGE TAPPING BOLT	2				
	16	36068   196   46	GUARD	1				
	17	36080   149	RUBBER SHEET	1				
	18	64014   324	SHAFT	1				
	19	68013   336	SPRING	1				
	20	71082   111	FAN ASSY	1				
	21	51125   103	FAN	1				
	22	11102   151	HOLDER	1				
	23	31062   169	PRE-COAT LOCK BOLT	4				
	24	579L   0600	FLANGE NUT	4				
	25	61024   209	SPACER	2				
	26	91014   188	BLADE	1				
	27	335M   1020	FLANGE BOLT	2				
	28	335L   1045	FLANGE BOLT	3				
	29	31039   116	STUD	1				
	30		BBC UNIT (Ref. P/L No. 46012-552-**)					

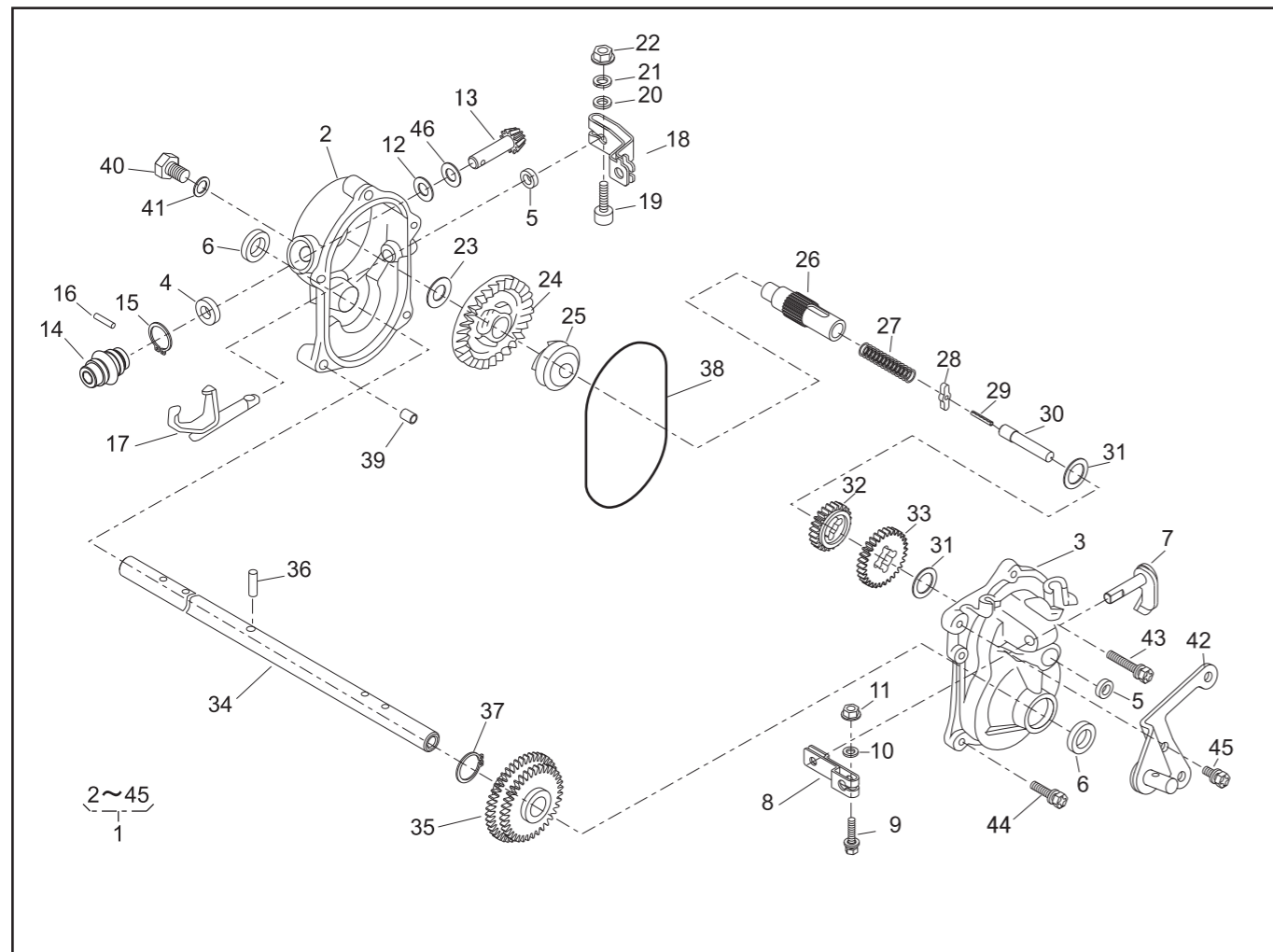


### PARTS LIST

P/L No. 46014-522-00

NOTE	REF. No.	PARTS No.	PARTS NAME	GRASS-CUTTING-PRO		PRICE( )	RECOMM.(%) Lot.100	REMARKS
				Q'TY	INCLUDING			
	31		COVER UNIT (Ref. P/L No. 46012-550-**)					
	32							
	33	91097   101	UNIVERSAL JOINT	1				
	34	812V   2000	C-SNAP RING	1				
	35	717B   0418	PARALLEL PIN	1				
	36	64014   357	SHAFT	1				
	37	91049   129	CONNECTOR	1				
	38	68036   280	WASHER	2				
	39	816V   0800	E-SNAP RING	1				
	40	36065   438	COVER	1				
	41	342L   0616	FLANGE BOLT TAPPING	1				
	42	51116   149	HANDLE BRACKET(L)	1				
	43	51116   150	HANDLE BRACKET(R)	1				
	44	31057   255	HEXAGON BOLT	4				
	45	512L   0800	HEXAGON NUT	4				
	46	11113   408	STAY	2				
	47	512L   0800	HEXAGON NUT	2				
	48	31057   181	HEXAGON BOLT	2				
	49	342L   0612	FLANGE TAPPING BOLT	4				
	50	11113   415	STAY	2				
	51							
	52	71008   377	GEAR CASE ASSY	1				
	53	711V   0522	SPRING PIN	2				
	54							
	55	733L   1000	SNAP PIN	1				
	56	11083   270	COLLAR	1				
	57	342L   0620	FLANGE TAPPING BOLT	1				
	58							
	59	122038	ENGINE:KAWASAKI FC180V-CC50	1				
	60		KEY	1				

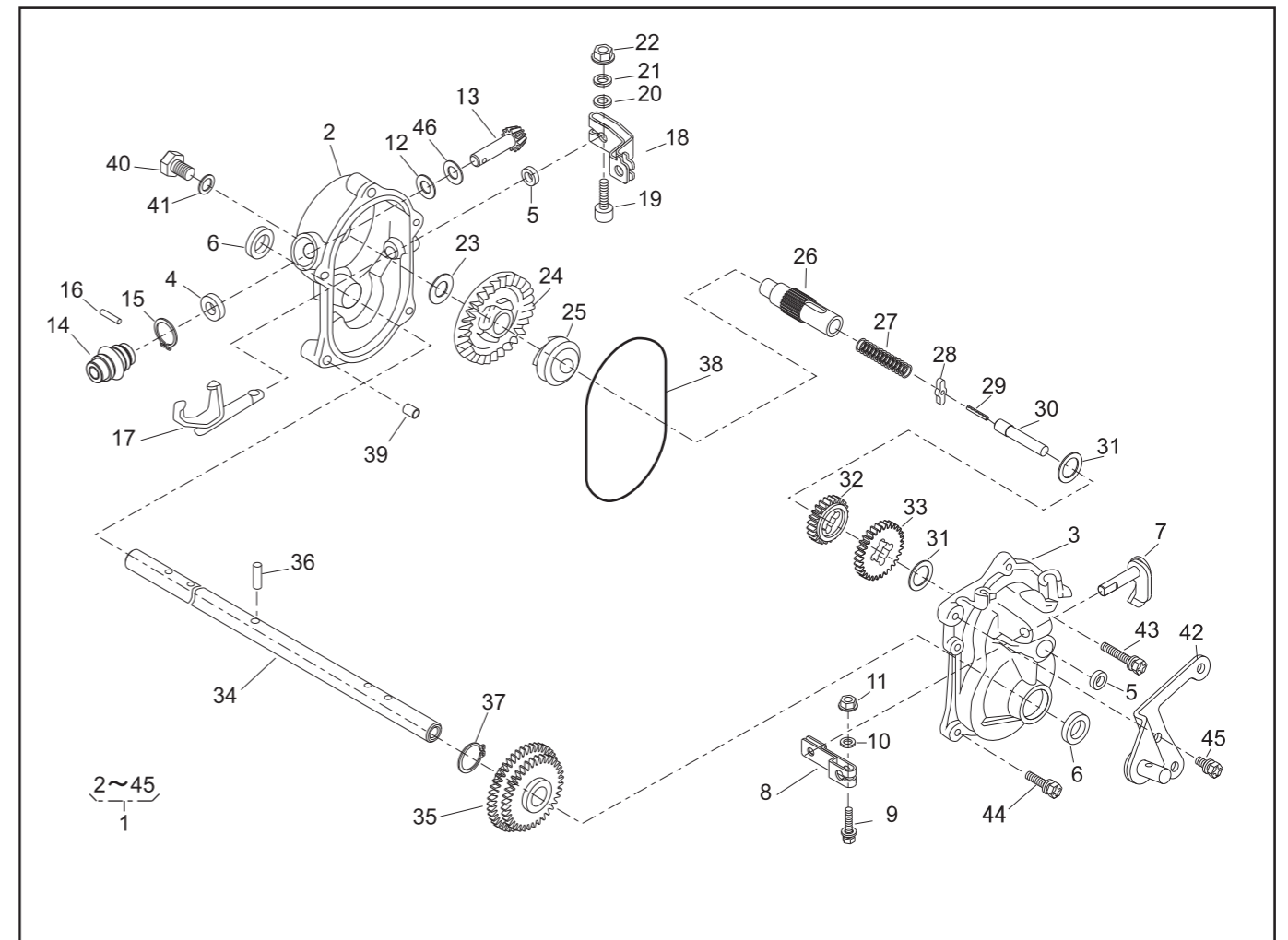




**PARTS LIST**  
GEAR CASE ASSY (71008-377)

P/L No. 46014-264-02

NOTE	REF. No.	PARTS No.	PARTS NAME	GEAR CASE		1/2	RECOMM.(%) Lot.100	REMARKS
				Q'TY INCLUDING	PRICE( )			
	1	71008   377	GEAR CASE ASSY	1				
	2	51001   195	GEAR CASE	1				
	3	51001   196	GEAR CASE	1				
	4	61002   161	OIL SEAL	1				
	5	61002   162	OIL SEAL	2				
	6	61002   163	OIL SEAL	2				
F	7	64024   104	SHIFTER SHAFT	1				
	8	11104   119	ARM	1				
F	9	320L   0525	(+)HEXAGON BOLT(W/PW)	1				
	10	611L   0500	PLAIN WASHER	1				
	11	571L   0500	FLANGE NUT	1				
	12	61003   109	THRUST PLATE	1				
	13	78003   130	PINION	1				
	14	91097   101	UNIVERSAL JOINT	1				
F	15	812V   2000	C-SNAP RING	1				
	16	717B   0418	PARALLEL PIN	1				
E	17	11097   106	SHIFTER FORK	1				
	18	11104   137	ARM	1				
	19	419U   0630	SOCKET SCREW	1				
	20	611L   0600	PLAIN WASHER	1				
	21	661L   0600	SPRING LOCK WASHER	1				
	22	512L   0600	HEXAGON NUT	1				
	23	61024   117	SPACER	1				
	24	78001   162	BEVEL GEAR	1				
	25	11129   107	CLUTCH	1				
	26	64014   236	SHAFT	1				
	27	68013   262	SPRING	1				



**PARTS LIST**  
GEAR CASE ASSY (71008-377)

P/L No. 46014-264-02

NOTE	REF. No.	PARTS No.	PARTS NAME	GEAR CASE		2/2	RECOMM.(%) Lot.100	REMARKS
				Q'TY INCLUDING	PRICE( )			
	28	31034   171	PIN	1				
	29	736U   0320	SPRING PIN	1				
	30	64014   235	SHAFT	1				
	31	61024   118	SPACER	2				
	32	78004   156	GEAR	1				
	33	78004   155	GEAR	1				
	34	64014   344	SHAFT	1				
	35	78012   107	GEAR C.P.	1				
F	36	31034   150	PIN	1				
	37	812V   2200	C-SNAP RING	1				
	38	214B   11000	O-RING	1				
	39	11083   201	COLLAR	2				
	40	31057   262	HEXAGON BOLT	1				
	41	68001   110	FIBER WASHER	1				
Z	42	11006   157	STAY C.P.	1				
	43	315L   0625	(+)HEXAGON BOLT(SW,PW)	3				
	44	315L   0635	(+)HEXAGON BOLT(SW,PW)	2				
	45	318L   0612	(+)HEXAGON BOLT(SW)	1				
	46	68007   132	SHIM	0~2				

