



ISSUED NO. MG530 EUO-2

Parts catalogue

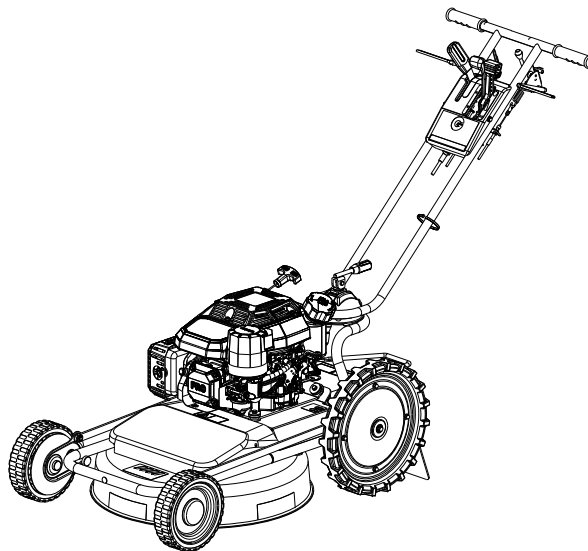
AUTO MOWER

(EXPORT MODEL)

MG530

Serial Number : **BP23F00001 ~**

MODEL	CODE
MG530	0363-○○○○



CONTENTS

Fig. 1	FRAME	-----	1
Fig. 2	HANDLE	-----	13
Fig. 3	TRANSMISSION	-----	15
Fig. 4	LABEL	-----	20

Update : **Mar. 2024**



MEMO

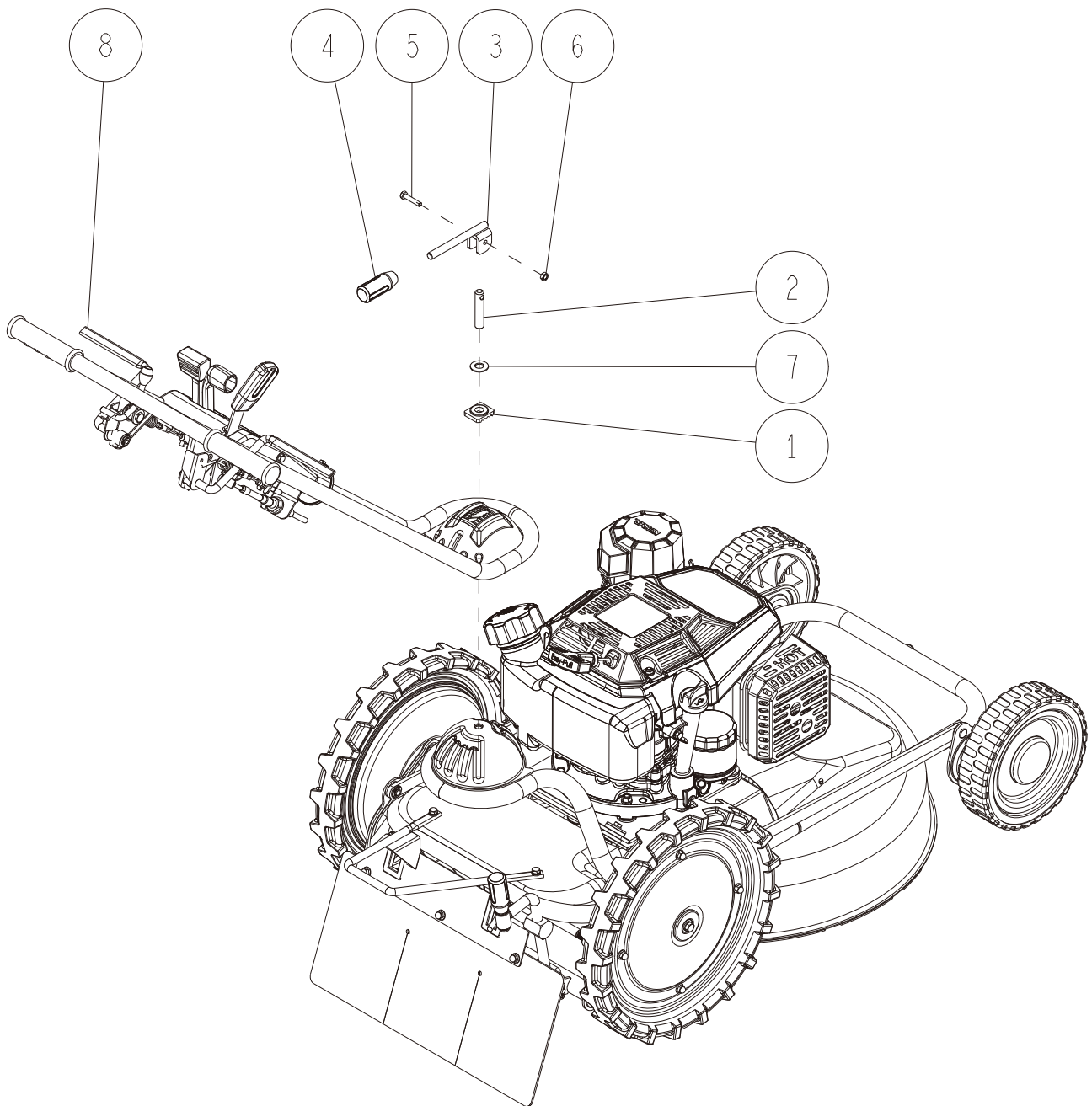
- *1) Interchangeable
- *2) Serial Number : ~BP23F00004
- *3) Serial Number : BP24C00001~

R/P) Recommend Parts

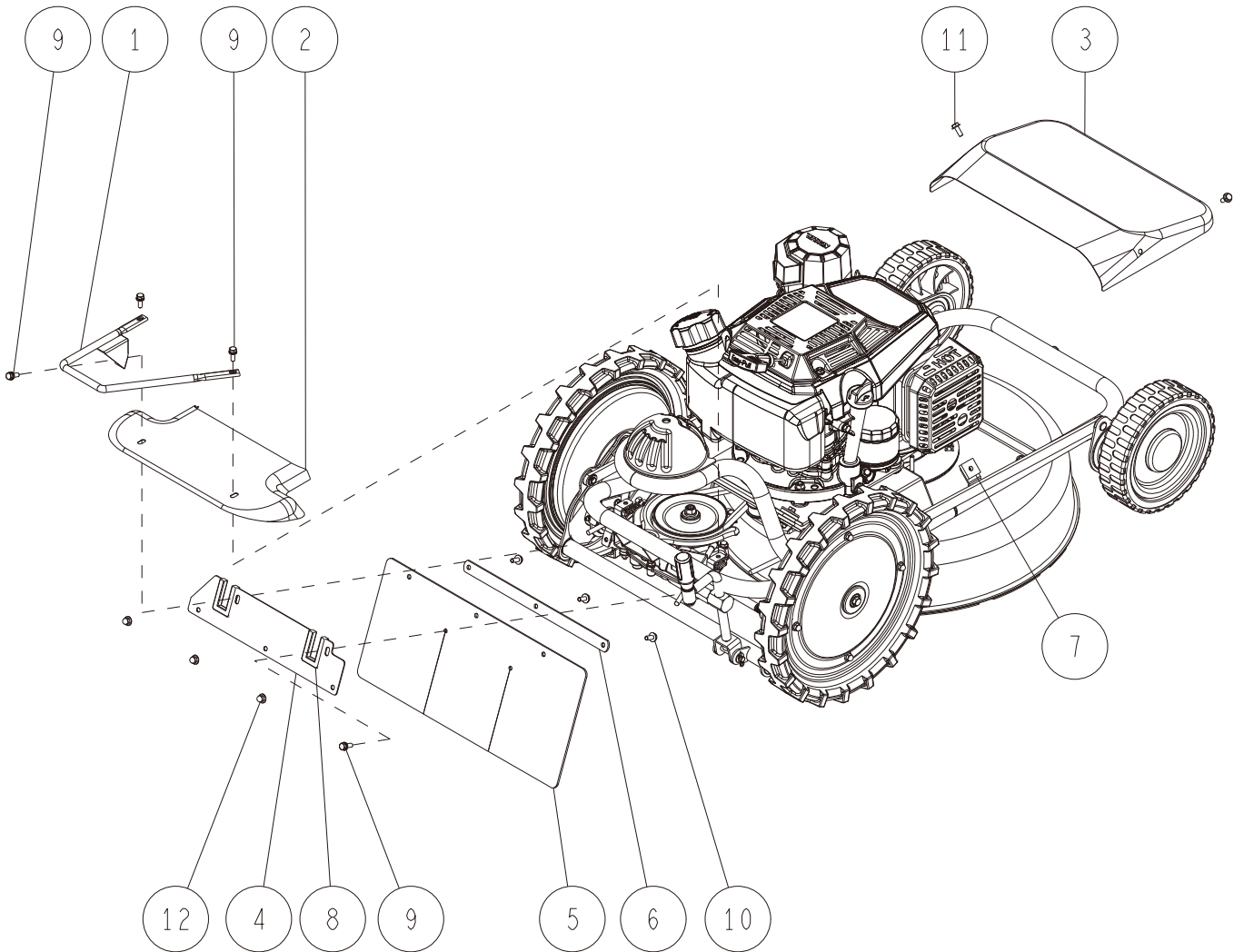
★★ : Highly recommended

★ : Recommended

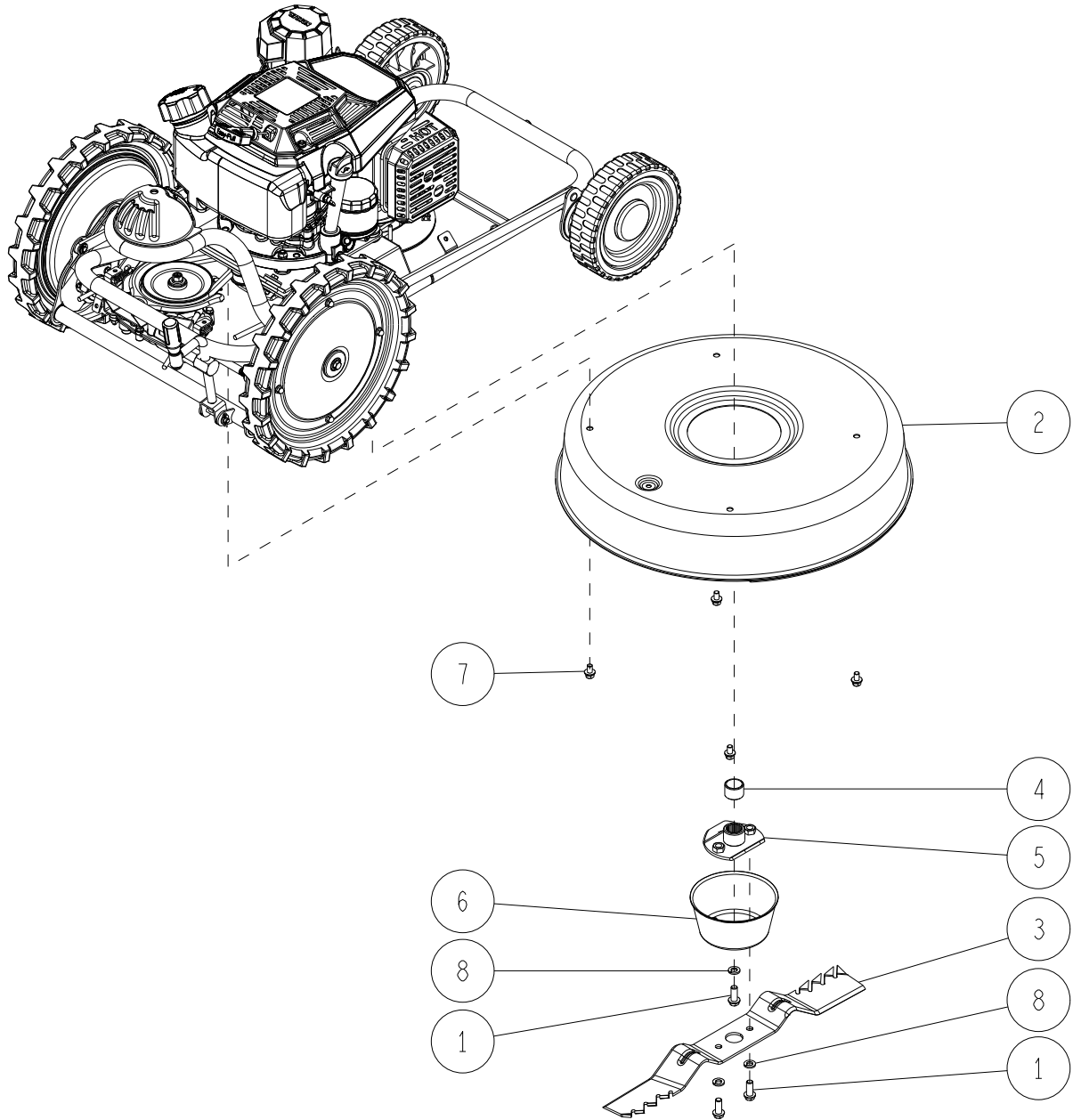
Painted Parts



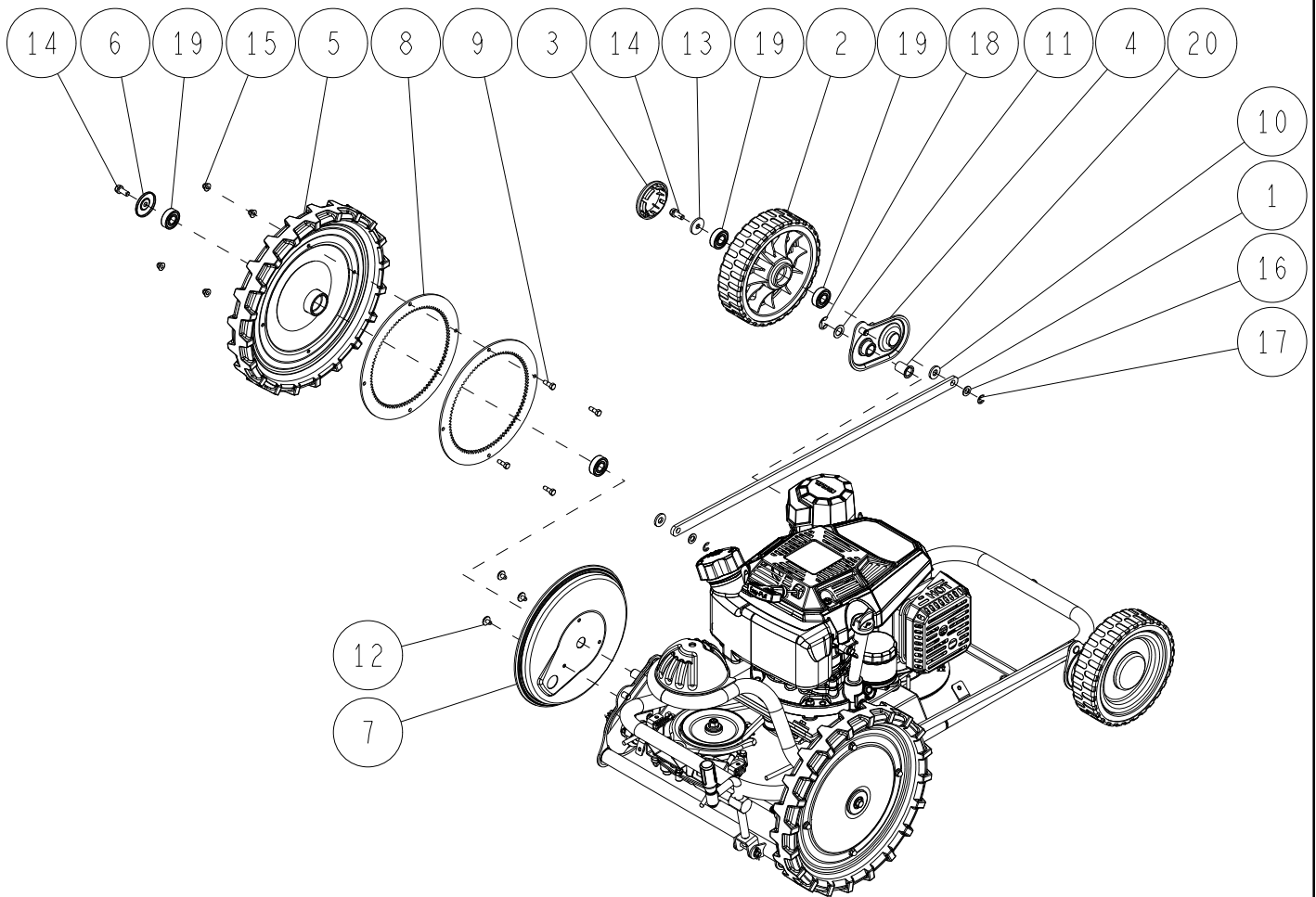
Ref.	Parts No.	Parts Name	Qty	Remark	R/P
1	0013-10300	Handle Fixing Washer	1		
2	0018-70400	Handle Fixing Bolt	1		
3	0018-70500	Handle Fixing Lever	1		
4	0334-75100	Lever Grip (Black) 10	1		
5	89-1113-060302	Hexagonal Bolt (8T) M6*30	1		
6	89-1551-060002	Hexagonal U Nut M6	1		
7	89-1852-120001	Belleville Spring H12	1		
8	-	Handle	1	Page 13~	



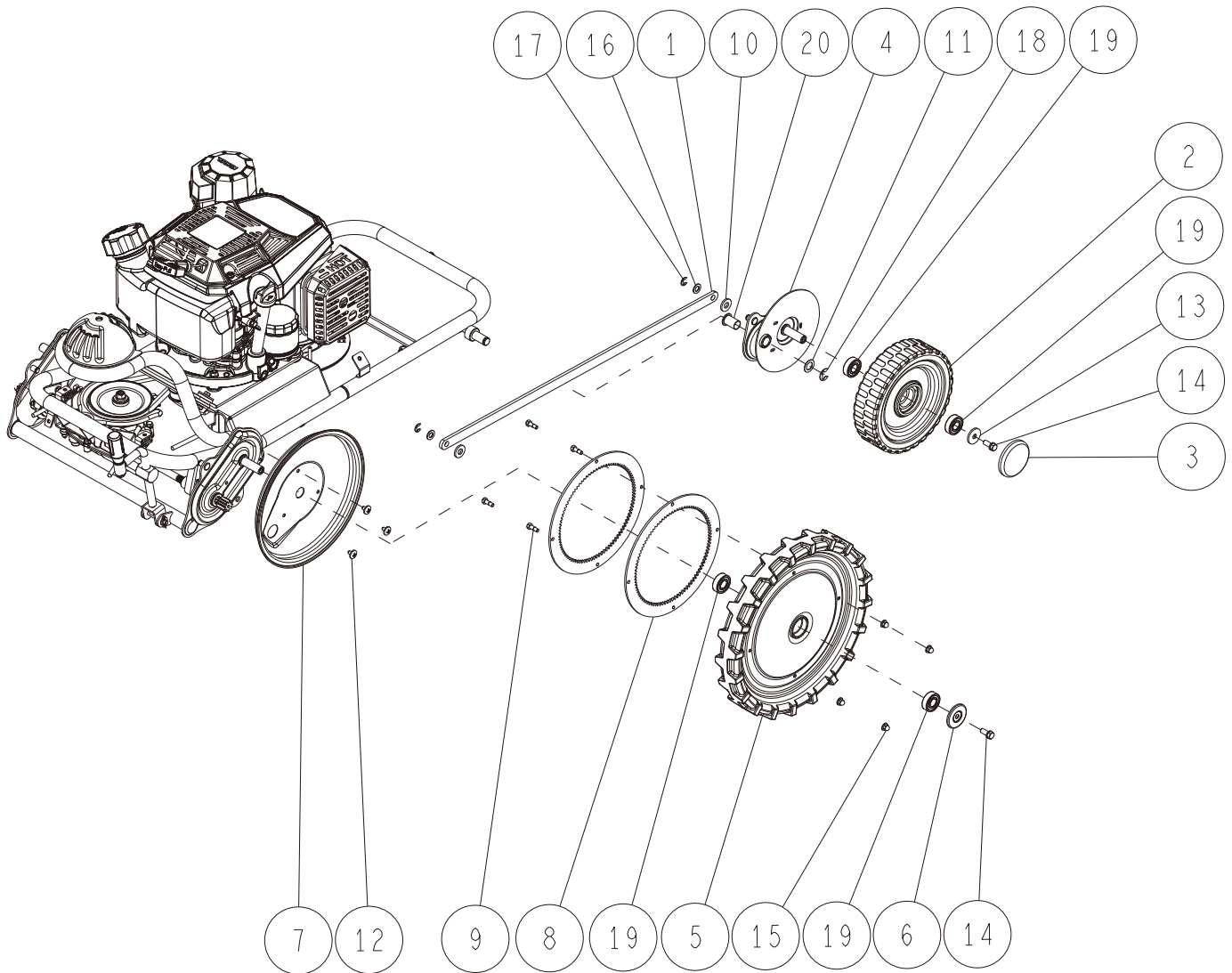
Ref.	Parts No.	Parts Name	Qty	Remark	R/P
1	0266-2010H	Wire Guard CMP (Metallic Grey)	1		
2	0363-60101	Rear Cover CMP (White)	1		
3	80-1035-502-11	Front Bonnet (White)	1		
4	80-1035-751-0H	Rear Guard (Metallic Grey)	1		
5	80-1035-752-00	Rear Guard Flapper	1		
6	80-1035-753-0H	Rear Guard Flapper Holder (Metallic Grey)	1		
7	80-1035-989-00	Bonnet Spacer	2		
8	80-1751-591-00	Rubber	2		
9	89-1136-060182	Hexagonal Bolt (PWSW) M6*18	4		
10	89-1137-060152	Hexagonal Bolt (PW) M6*15	3		
11	89-1137-060172	Hexagonal Bolt (PW) M6*17	2		
12	89-1581-060042	Flange Cap Nut M6	3		



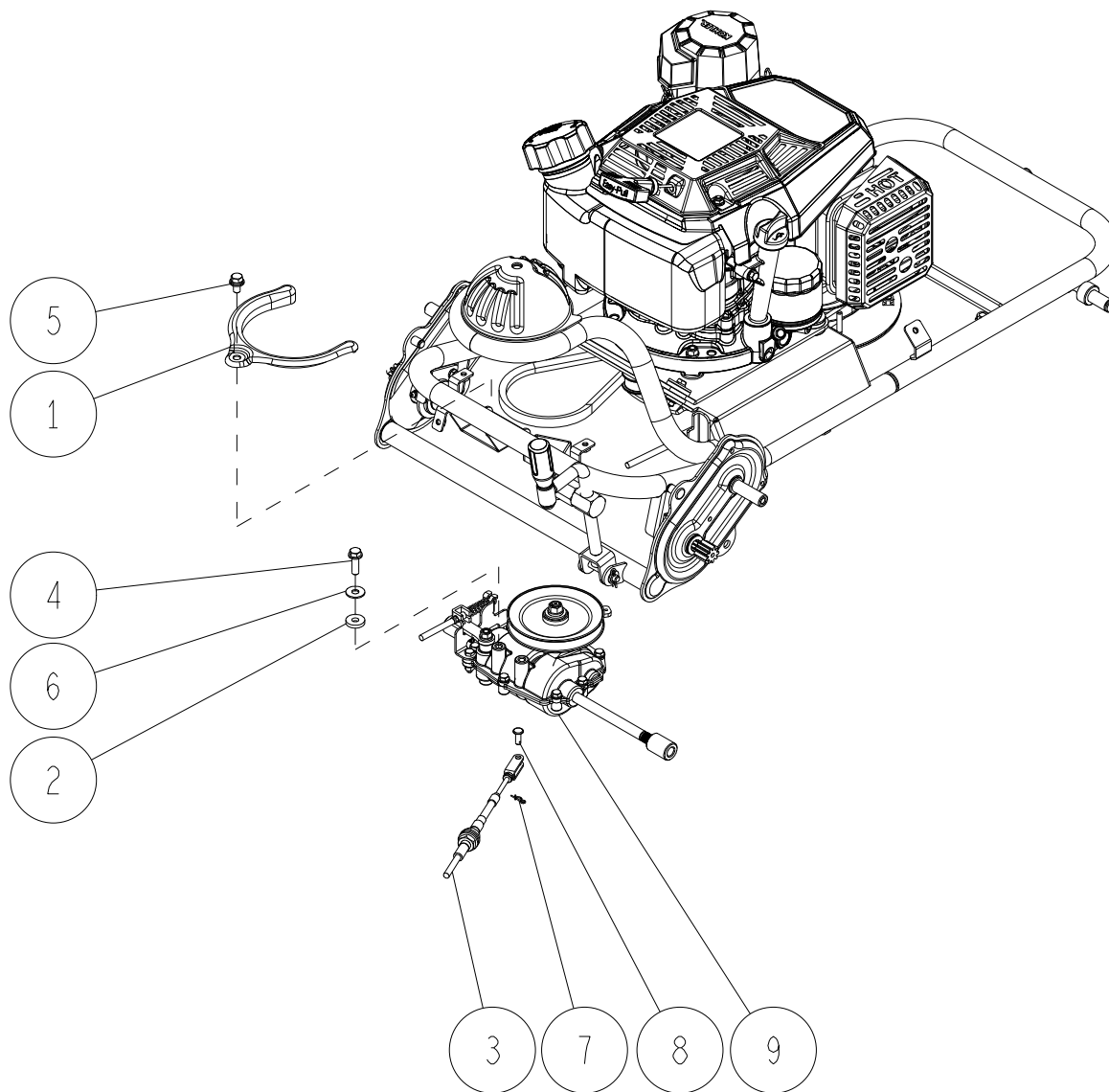
Ref.	Parts No.	Parts Name	Qty	Remark	R/P
1	0214-50200	Flange Bolt(Slender) M10*25 P1.25(Mec)	3		★★
2	0363-5010G	Mulching Deck CMP (Green)	1		
3	0363-51100	Mulching Blade	1		★★
4	0363-50400	Blade Shaft Collar	1	*3)	
	80-1035-813-00	Knife Shaft Collar	1	*2)	
5	80-1035-833-1H	Knife Bracket (Metallic Grey)	1		★
6	80-1035-836-10	Knife Neck Guard	1		★
7	89-1233-080162	Mini Hexagonal Bolt (PWSW) M8*16	4		
8	89-1750-100002	Spring Washer 10	3		★★



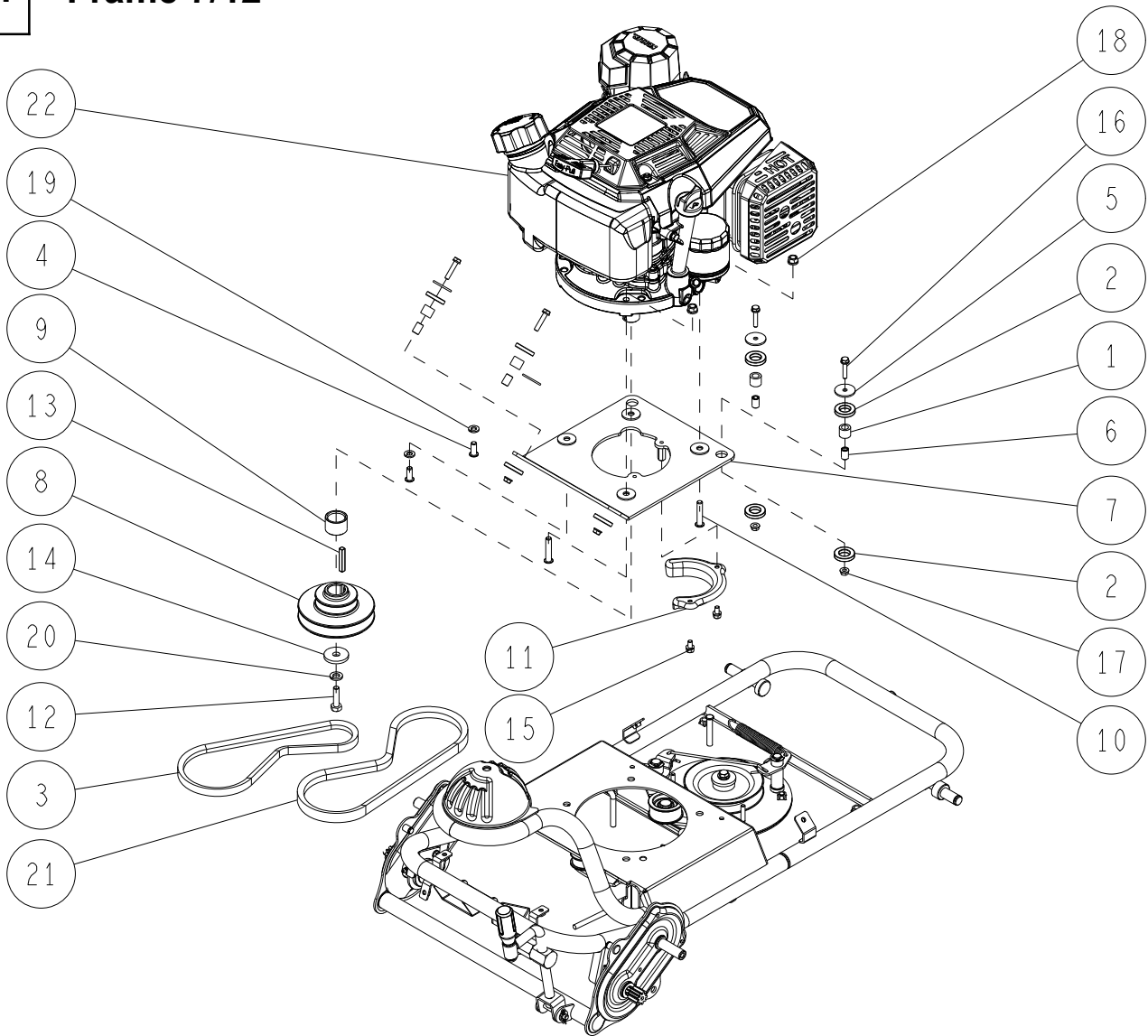
Ref.	Parts No.	Parts Name	Qty	Remark	R/P
1	0363-3010H	Translation Bar (Metallic Grey)	1		
2	80-1020-407-00	Front Wheel	1		★
3	80-1020-441-00	Wheel Cap	1		
4	80-1035-404-0H	Front Wheel Arm (L) (Metallic Grey)	1		
5	80-1035-408-00	Tire 350*54	1		
6	80-1035-411-00	Bearing Cover	1		
7	80-1035-418-00	Driving Gear Cover	1		
8	80-1035-421-00	Driven Gear 95T	2		
9	80-1035-971-00	Knob Bolt M6*16	4		
10	80-1035-991-00	Rubber Washer 11*24*3	2		
11	83-1020-361-00	Thrust Washer 15*24*1.0	1		
12	83-1035-149-00	Truss Tapping Screw M6*10	3		
13	83-1415-312-00	Washer 8*30*3.2	1		
14	89-1232-080202	Mini Hexagonal Bolt (SW) M8*20	2		
15	89-1581-060042	Flange Cap Nut M6	4		
16	89-1711-100002	Flat Washer 10*18*1.6	2		
17	89-2521-000080	E Type Ring 8	2		
18	89-2521-000120	E Type Ring 12	1		
19	89-3115-062024	Bearing 6202 2RS	4		
20	89-3511-015250	DU Bush 15.25.23F	1		



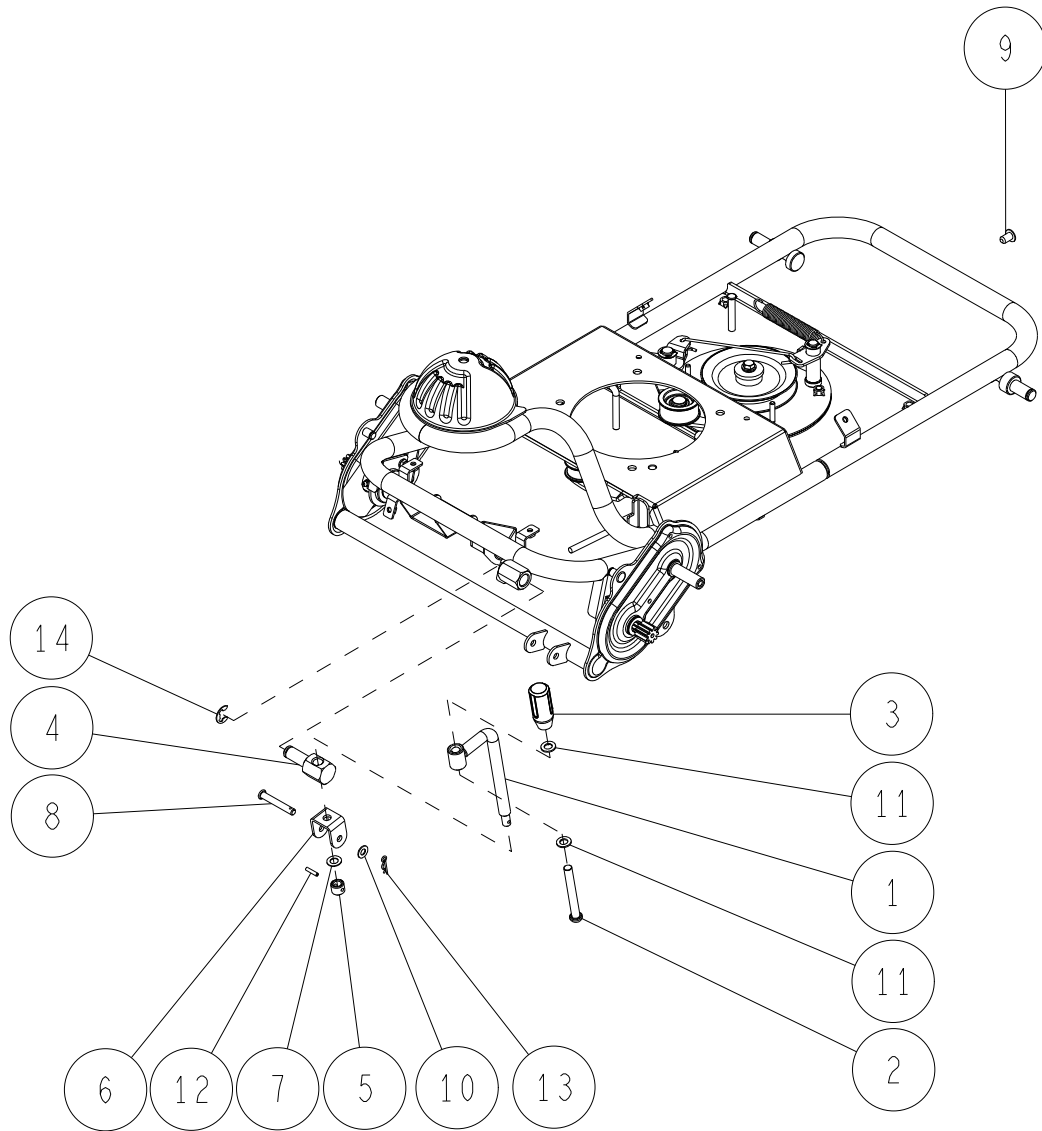
Ref.	Parts No.	Parts Name	Qty	Remark	R/P
1	0363-3010H	Translation Bar (Metallic Grey)	1		
2	80-1020-407-00	Front Wheel	1		★
3	80-1020-441-00	Wheel Cap	1		
4	80-1035-405-0H	Front Wheel Arm (R) (Metallic Grey)	1		
5	80-1035-408-00	Tire 350*54	1		
6	80-1035-411-00	Bearing Cover	1		
7	80-1035-418-00	Driving Gear Cover	1		
8	80-1035-421-00	Driven Gear 95T	2		
9	80-1035-971-00	Knob Bolt M6*16	4		
10	80-1035-991-00	Rubber Washer 11*24*3	2		
11	83-1020-361-00	Thrust Washer 15*24*1.0	1		
12	83-1035-149-00	Truss Tapping Screw M6*10	3		
13	83-1415-312-00	Washer 8*30*3.2	1		
14	89-1232-080202	Mini Hexagonal Bolt (SW) M8*20	2		
15	89-1581-060042	Flange Cap Nut M6	4		
16	89-1711-100002	Flat Washer 10*18*1.6	2		
17	89-2521-000080	E Type Ring 8	2		
18	89-2521-000120	E Type Ring 12	1		
19	89-3115-062024	Bearing 6202 2RS	4		
20	89-3511-015250	DU Bush 15.25.23F	1		



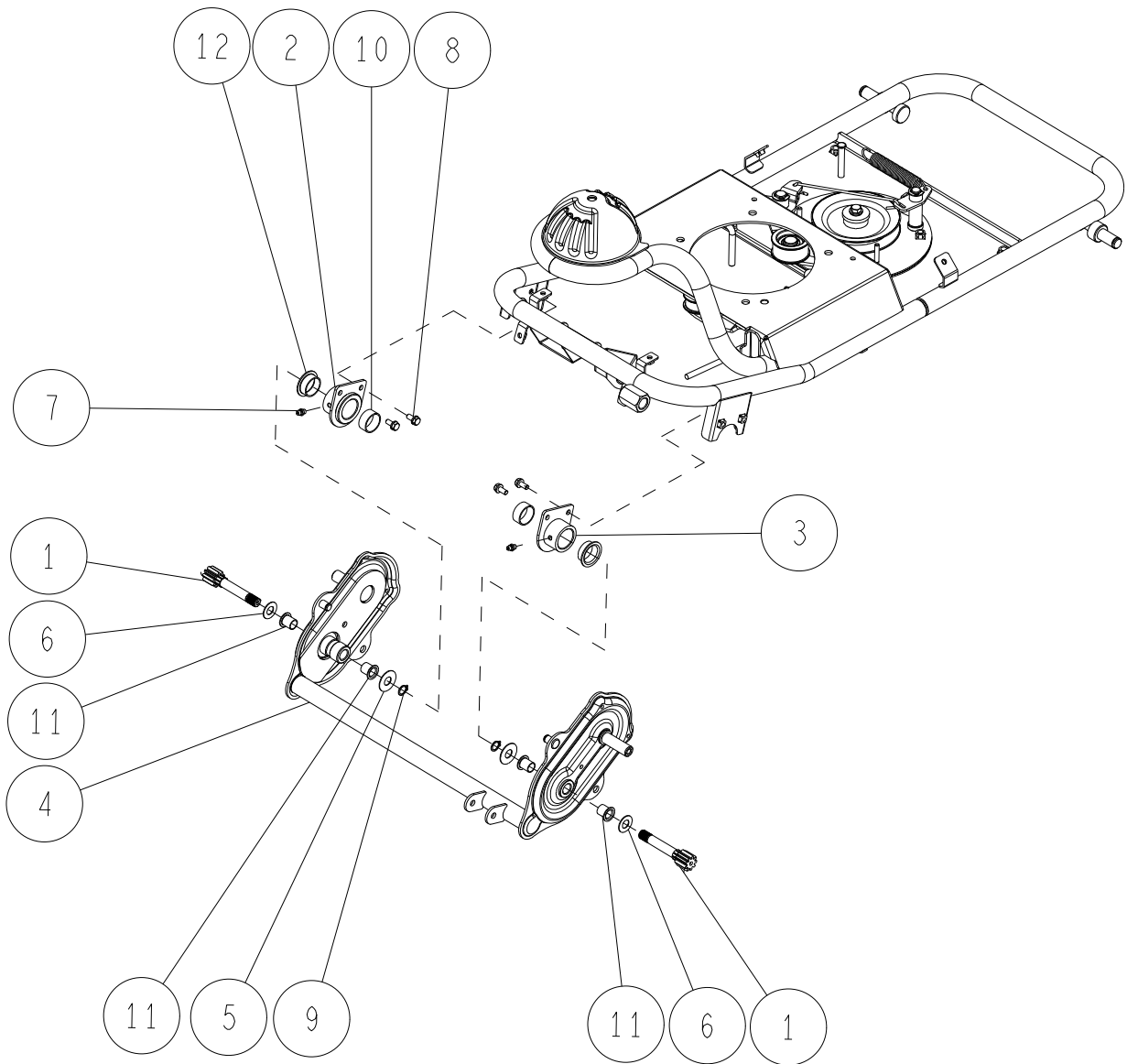
Ref.	Parts No.	Parts Name	Qty	Remark	R/P
1	80-1035-583-0H	Transmission Pulley Belt Holder A (Metallic Grey)	1		
2	80-1035-988-00	Spacer Rubber	1		
3	83-1035-936-00	Change Wire	1		★
4	83-1482-143-00	Tapping Bolt M8*25	1		
5	89-1233-080162	Mini Hexagonal Bolt (PWSW) M8*16	1		
6	89-1713-080002	Flat Washer 8 (large)	1		
7	89-2132-060002	Snap Pin 6 (with stopper)	1		
8	89-2181-060162	Flat Head Pin 6*16	1		
9	-	Transmission	1	Page 15~	



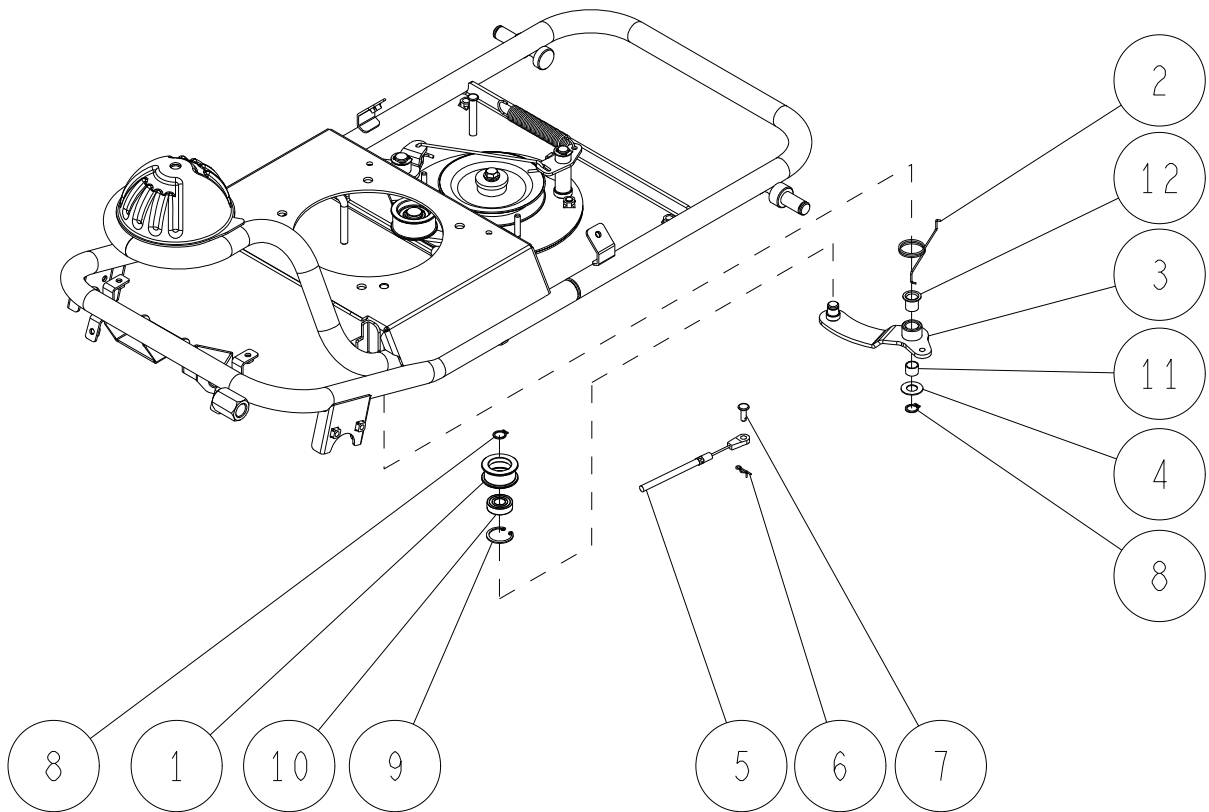
Ref.	Parts No.	Parts Name	Qty	Remark	R/P
1	0208-09700	Bush	4		
2	0208-09910	Vibration-proof Rubber	8		
3	0214-72800	V Belt SA-26 (W600)	1		★
4	0277-70400	Low Head Bolt M8×20	2		
5	0305-09800	Flat Washer 6*30*2.3	4		
6	0327-03300	Collar (Y)	4		
7	0363-2020H	Engine Base B CMP (Metallic Grey)	1		
8	0363-40100	Engine Pulley	1		
9	0363-40200	Pulley Collar	1		
10	0363-70100	Low Head Bolt M8×40	2		
11	80-1035-582-0H	Engine Driving Belt Holder A (H) (Metallic Grey)	1		
12	83-1020-118-00	Hexagonal Bolt 3/8-24*32UNF (K)	1		
13	83-1437-205-00	Key 1/4 inch *40	1		
14	83-1610-321-00	Washer 10*36*4.5	1		
15	89-1132-060122	Hexagonal Bolt (SW) M6*12	2		
16	89-1135-060302	Hexagonal Bolt (SW) M6*30	4		
17	89-1531-060042	Flange Nut M6	4		
18	89-1543-080002	Mini Hexagonal Nut (SW) M8	2		
19	89-1750-080002	Spring Washer 8	2		
20	89-1750-100002	Spring Washer 10	1		
21	89-6123-003002	V Belt SB-30 (W800)	1		★
22	9001-0051	KOHLER ENGINE (CV224-3011)	1		



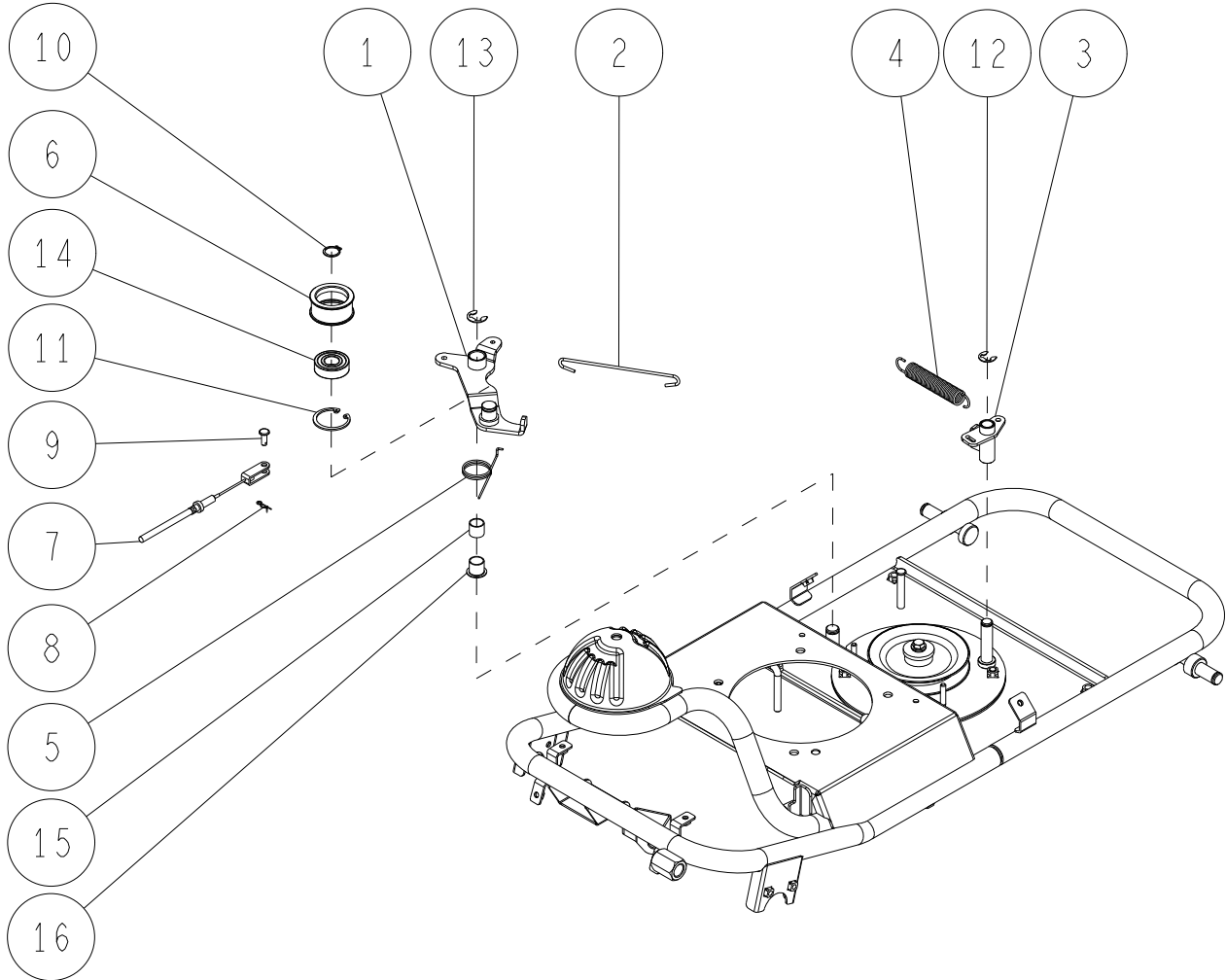
Ref.	Parts No.	Parts Name	Qty	Remark	R/P
1	0214-20200	Cutting Height Adjustment Screw	1		
2	0285-77000	Round Head Pin 10*80	1		
3	0334-75100	Lever Grip (Black) 10	1		
4	80-1035-742-00	Cutting Height Adjustment Shaft	1		
5	80-1035-744-00	Cutting Height Screw Stopper	1		
6	80-1035-745-0H	Screw Setting (Metallic Grey)	1		
7	83-1020-351-00	Thrust Washer 10*18*1.0	1		
8	83-1131-152-00	Flat Headed Pin 8*53	1		
9	83-1484-369-00	Clip (5347)	1		
10	89-1711-080002	Flat Washer 8	1		
11	89-1711-100002	Flat Washer 10*18*1.6	2		
12	89-2111-040018	Spring Pin 4*18	1		
13	89-2131-080002	Snap Pin 8	1		
14	89-2521-000120	E Type Ring 12	1		



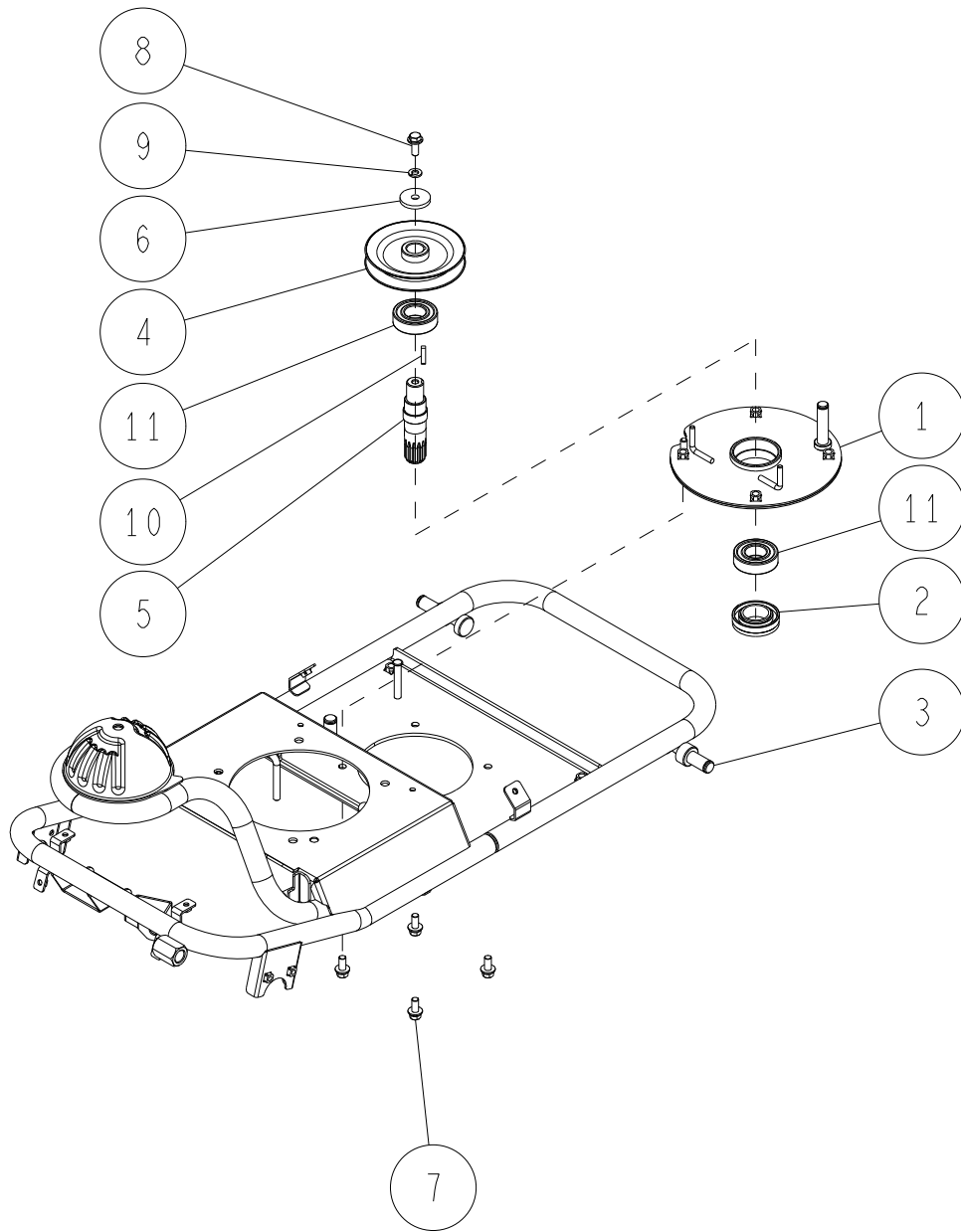
Ref.	Parts No.	Parts Name	Qty	Remark	R/P
1	80-1035-148-10	Drive Gear 9T	2		
2	80-1035-341-1H	Rear Wheel Arm Receiver (L) (Metallic Grey)	1		
3	80-1035-342-0H	Rear Wheel Arm Receiver (R) (Metallic Grey)	1		
4	80-1035-415-1H	Rear Wheel Arm (Metallic Grey)	1		
5	80-1035-907-00	Thrust Washer 12*30*1.0	2		
6	83-1020-355-00	Thrust Washer 12*24*1.0	2		
7	83-1415-975-00	Grease Nipple M6	2		
8	89-1135-060142	Hexagonal Bolt (SW) M6*14	4		
9	89-2511-000120	Snap Ring (S12)	2		
10	89-3510-025120	DU Bush 25.12	2		
11	89-3511-012150	DU Bush 12.15.20F	4		
12	89-3511-025100	DU Bush 25.10.36F	2		



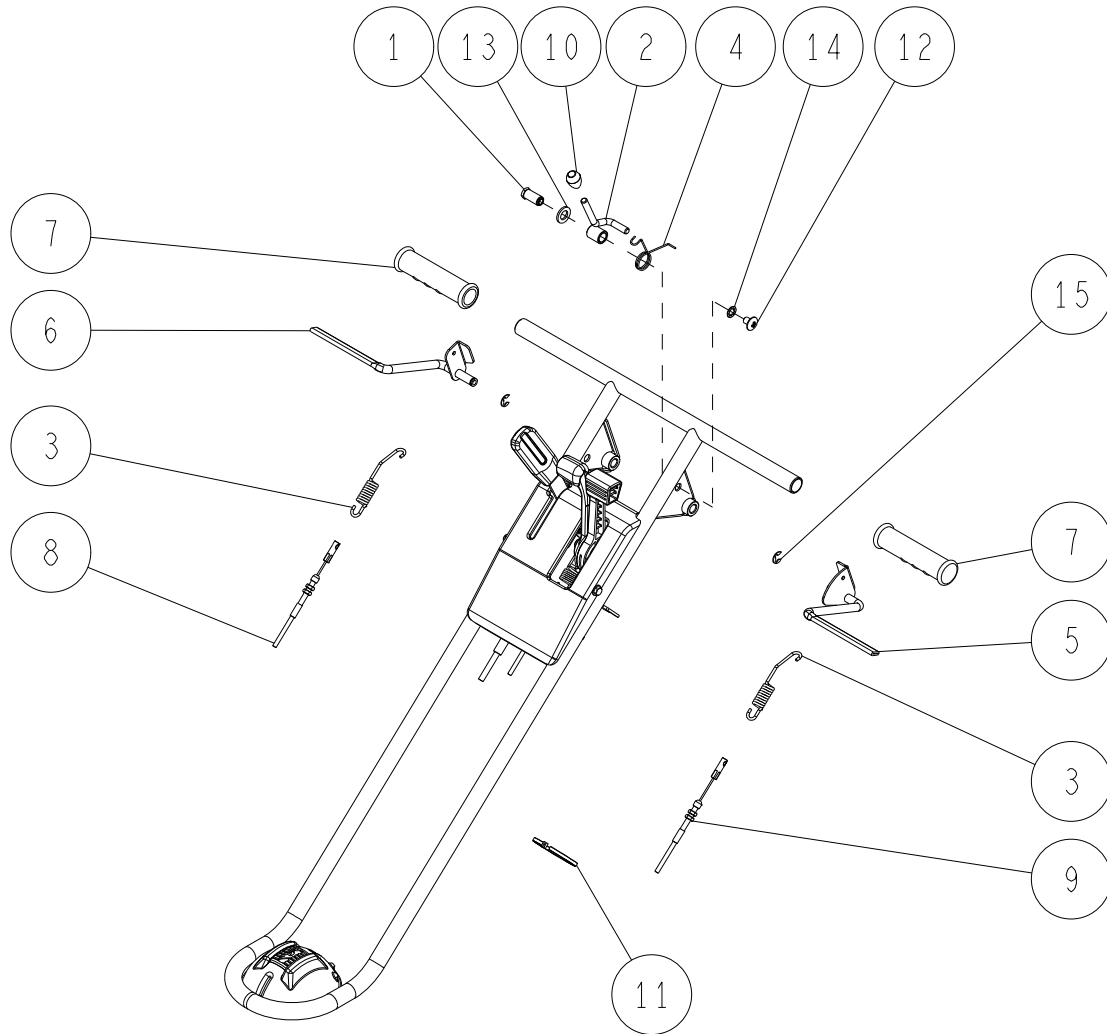
Ref.	Parts No.	Parts Name	Qty	Remark	R/P
1	0208-41200	Tension Pulley	1		
2	80-1035-552-00	Spring 26	1		
3	80-1035-584-1H	Driving Tension Arm (Metallic Grey)	1		
4	83-1020-355-00	Thrust Washer 12*24*1.0	1		
5	83-1035-932-10	Driving Wire (SUS)	1		★
6	89-2132-060002	Snap Pin 6 (with stopper)	1		
7	89-2181-060162	Flat Head Pin 6*16	1		
8	89-2511-000120	Snap Ring (S12)	2		
9	89-2512-000280	Snap Ring (R28)	1		
10	89-3115-060014	Bearing 6001 2RS	1		
11	89-3510-012100	DU Bush 12.10	1		
12	89-3511-012150	DU Bush 12.15.20F	1		



Ref.	Parts No.	Parts Name	Qty	Remark	R/P
1	0214-4210H	Blade Tension Arm CMP (TL) (Metallic Grey)	1		
2	0214-42200	Brake Rod (TL)	1		
3	0239-4211H	Blade Brake (Metallic Grey)	1		
4	80-1035-373-00	Blade Brake Spring	1		
5	80-1035-546-00	Spring 30	1		
6	83-1032-765-00	Tension Pulley	1		
7	83-1035-945-20	Blade Wire (SUS)	1		★
8	89-2132-060002	Snap Pin 6 (with stopper)	1		
9	89-2181-060162	Flat Head Pin 6*16	1		
10	89-2511-000170	Snap Ring (S17)	1		
11	89-2512-000400	Snap Ring (R40)	1		
12	89-2521-000100	E Type Ring 10	1		
13	89-2521-000120	E Type Ring 12	1		
14	89-3115-062034	Bearing 6203 2RS	1		
15	89-3510-015150	DU Bush 15.15	1		
16	89-3511-015150	DU Bush 15.15.23F	1		

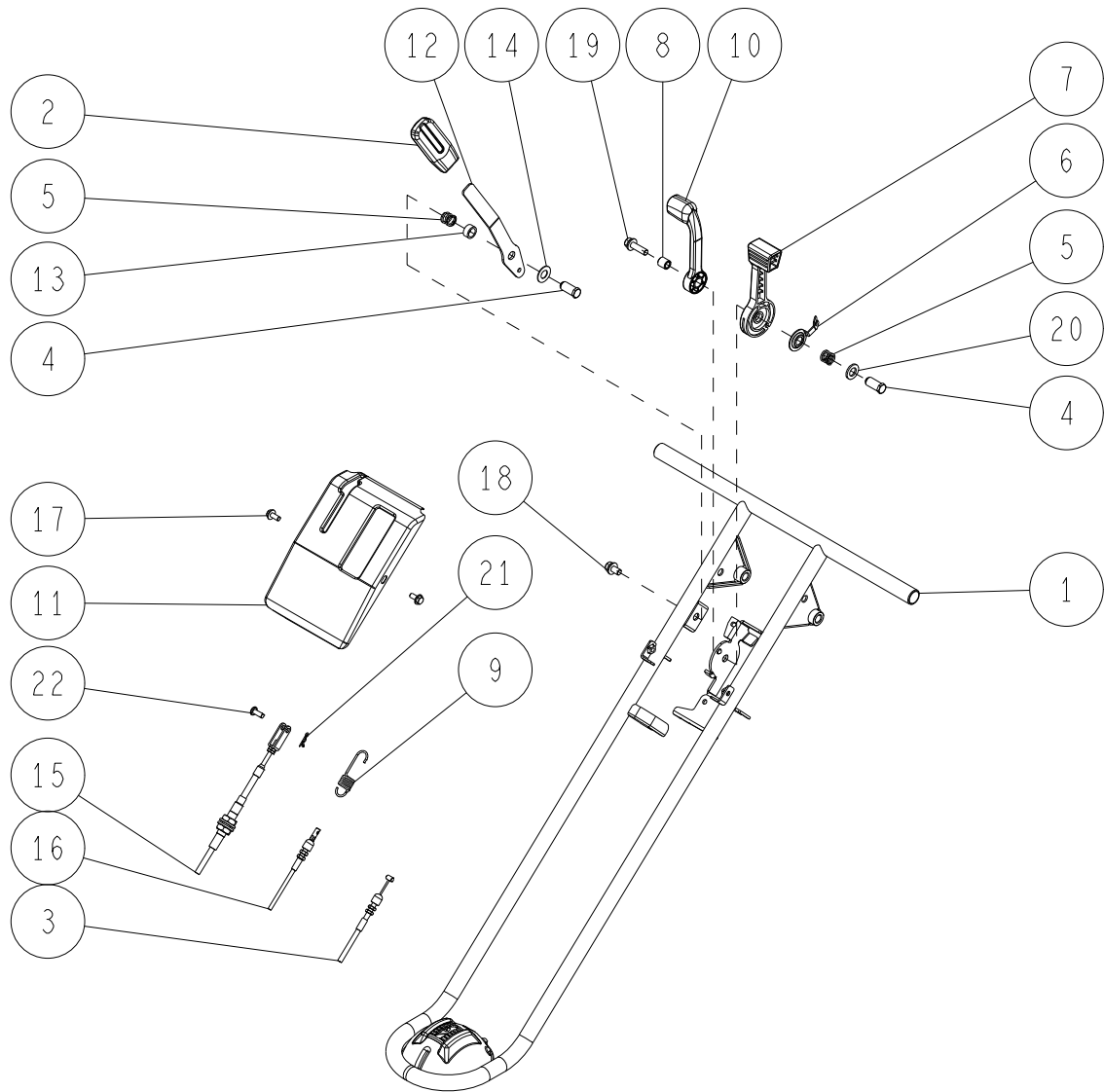


Ref.	Parts No.	Parts Name	Qty	Remark	R/P
1	0363-5020H	Blade Shaft Case (Metallic Grey)	1	*3)	
	0214-5210H	Blade Shaft Case (TL) (Metallic Grey)	1	*2)	
2	0297-08000	Oil Seal AP 35.55.16	1		
3	0363-2010H	Frame CMP (Metallic Grey)	1		
4	0363-40300	Knife Pulley	1	*3)	
	80-1035-588-00	Knife Pulley	1	*2)	
5	0363-50300	Blade Shaft	1	*3)	
	80-1035-641-10	Blade Shaft	1	*2)	
6	83-1565-315-00	Washer 8*36*4.5	1		
7	89-1233-080202	Mini Hexagonal Bolt (PWSW) M8*20	4		
8	89-1253-080202	Flange Mini Hexagonal Bolt (8T) M8*20	1		
9	89-1750-080002	Spring Washer 8	1		
10	89-2151-050240	Key 5*24 (half round)	1		
11	89-3115-062054	Bearing 6205 2RS	2		

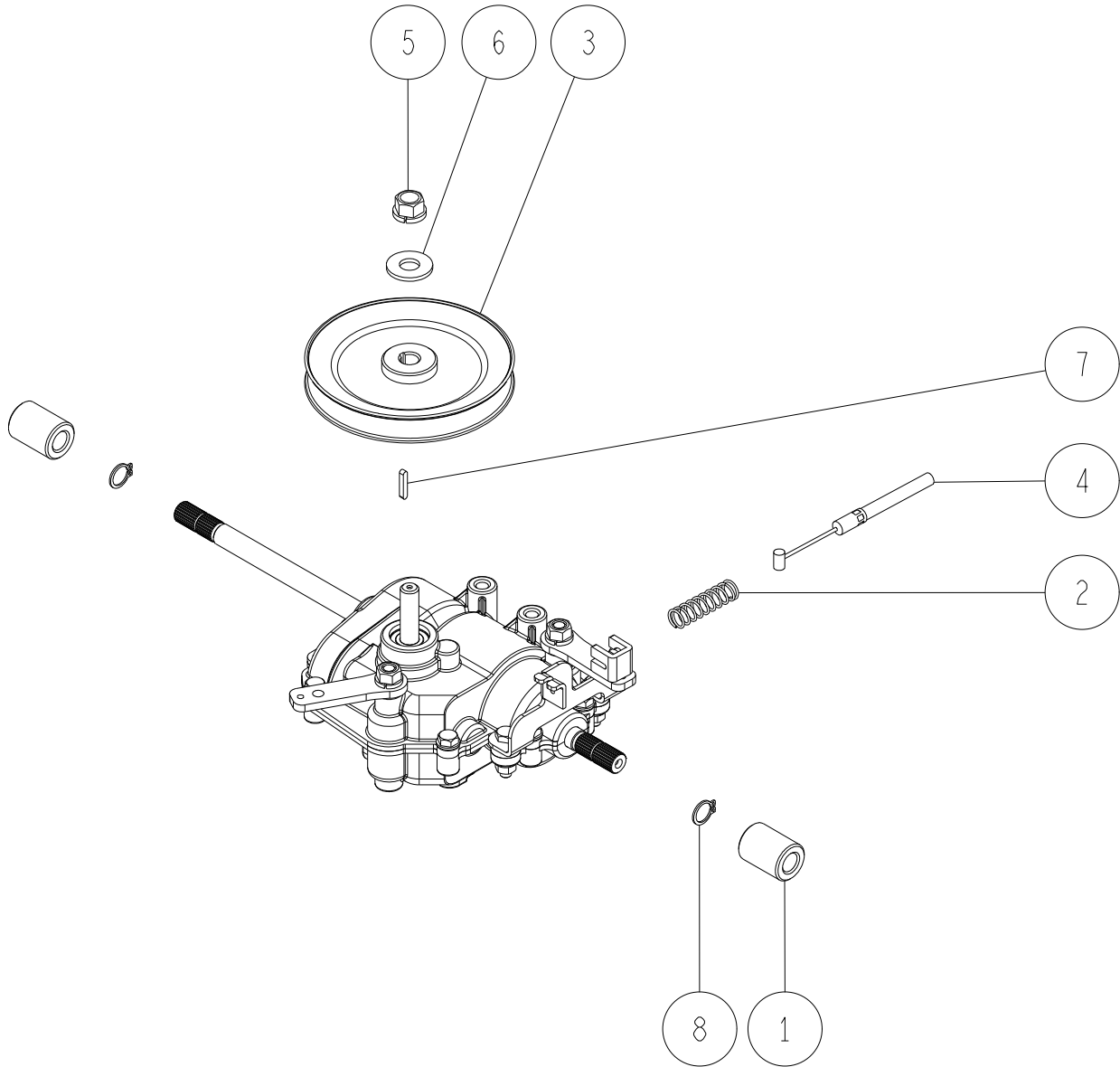


Ref.	Parts No.	Parts Name	Qty	Remark	R/P
1	80-1020-262-00	Control Lever Shaft	1		
2	0214-1030 ¹	Lock Lever (White)	1		
3	0214-71200	Blade Spring	2		
4	0214-71300	Spring for Lock Lever Return	1		
5	0363-10100	Blade Lever CMP	1		
6	0363-10200	Driving Lever CMP	1		
7	83-1035-411-00	Grip (21.7)	2		
8	83-1035-932-10	Driving Wire (SUS)	1		★
9	83-1035-945-20	Blade Wire (SUS)	1		★
10	83-1260-423-00	Grip Rubber	1		
11	83-1711-719-00	Wire Band 200L	1		
12	89-1159-080122	Truss Mini Screw M8*12	1		
13	89-1711-120002	Flat Washer 12	1		
14	89-1812-080002	Toothed Washer (inside) 8	1		
15	89-2521-000080	E Type Ring 8	2		

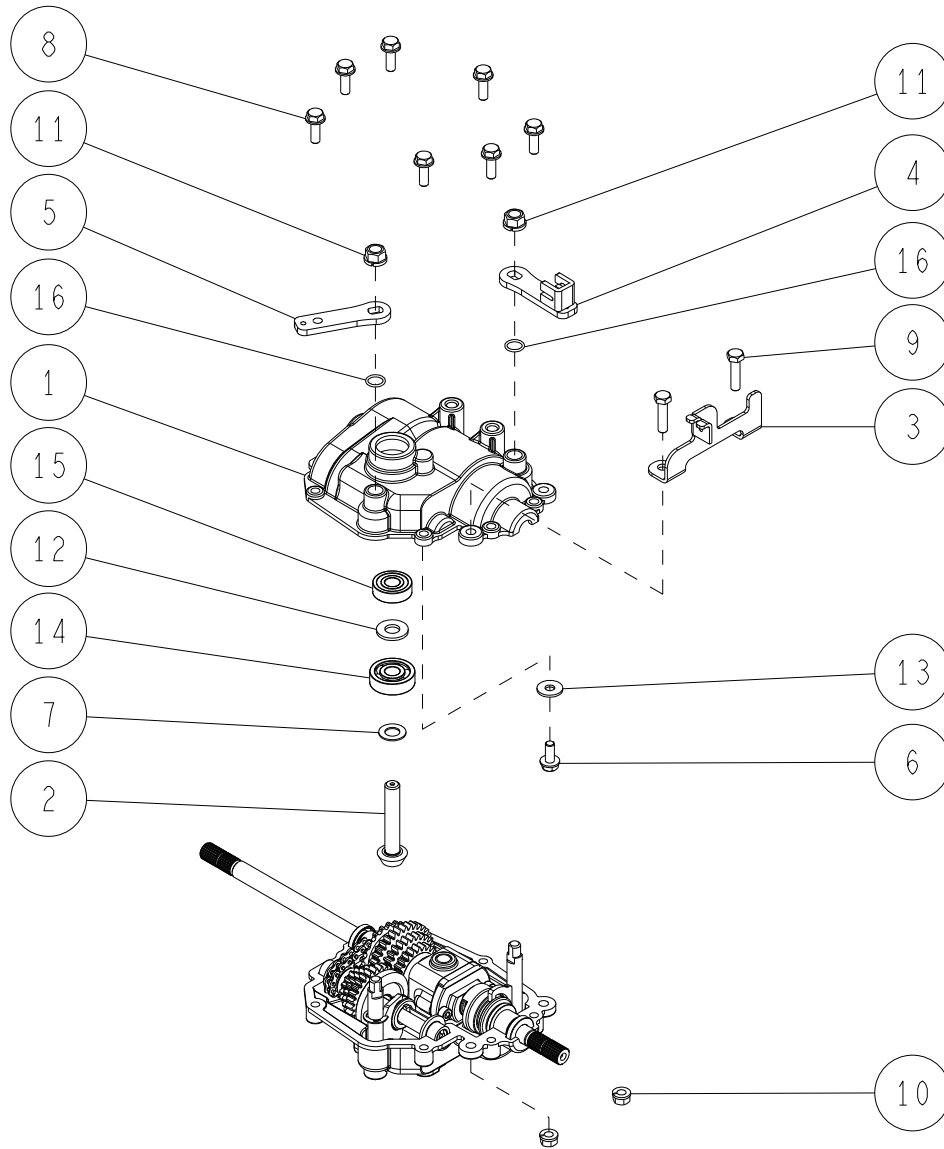
Handle 2/2



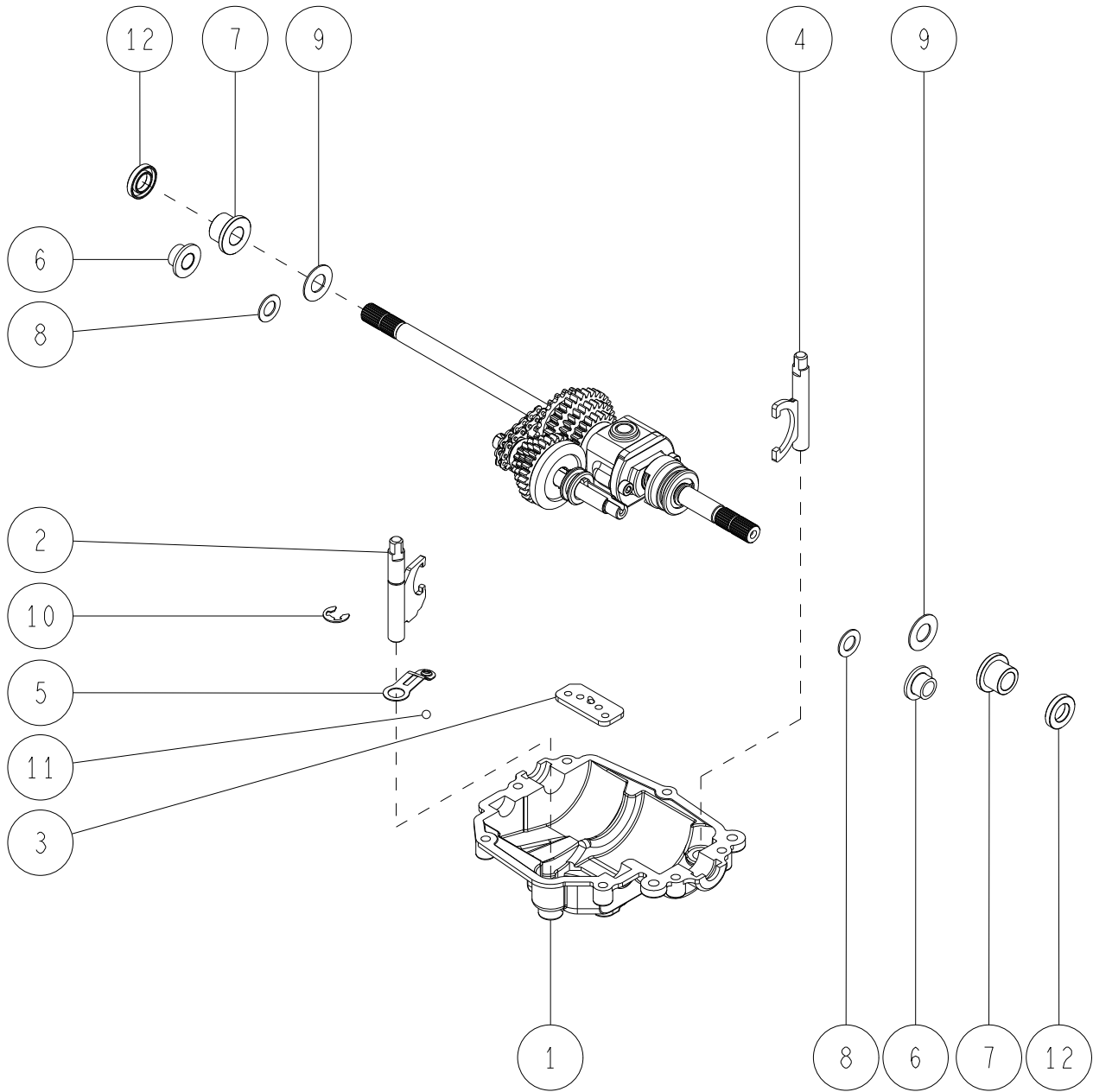
Ref.	Parts No.	Parts Name	Qty	Remark	R/P
1	0214-1010 ¹	Handle (White)	1		
2	0339-73500	Arm Grip (Black)	1		
3	0363-70200	Throttle Wire	1		★
4	80-1020-262-00	Control Lever Shaft	2		
5	80-1020-263-00	Control Lever Shaft Spring	2		
6	80-1020-264-00	Control Washer	1		
7	80-1020-265-00	Throttle Lever (H)	1		
8	80-1020-270-00	Inner Collar	1		
9	80-1020-967-00	Driving Change Spring	1		
10	80-1022-260-00	Driving Change Lever	1		
11	80-1035-231-0 ¹	Control Cover (White)	1		
12	80-1035-260-1 ^H	Change Lever (Metallic Grey)	1		
13	80-1035-261-00	Collar 10A-L8	1		
14	83-1020-355-00	Thrust Washer 12*24*1.0	1		
15	83-1035-936-00	Change Wire	1		★
16	83-1035-937-10	Differential Lock Wire (SUS)	1		★
17	89-1137-060152	Hexagonal Bolt (PW) M6*15	2		
18	89-1233-080162	Mini Hexagonal Bolt (PWSW) M8*16	1		
19	89-1239-080302	Mini Hexagonal Bolt (PWSW) M8*30	1		
20	89-1711-120002	Flat Washer 12	1		
21	89-2132-060002	Snap Pin 6 (with stopper)	1		
22	89-2181-060162	Flat Head Pin 6*16	1		



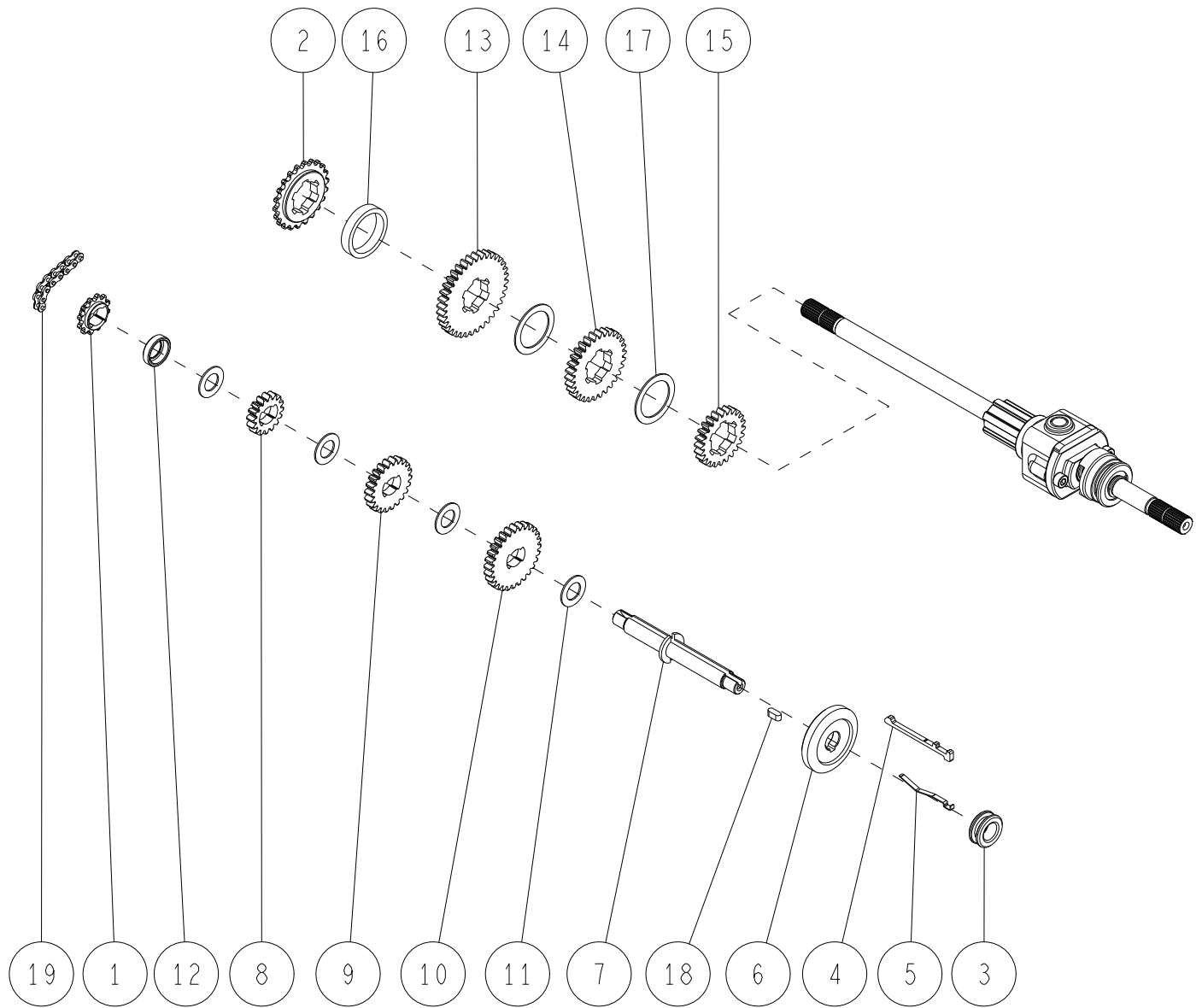
Ref.	Parts No.	Parts Name	Qty	Remark	R/P
-	80-1035-100-10	Transmission Case Assy	1	page 16-19	
1	80-1035-149-00	Drive Shaft Joint	2		
2	80-1035-162-00	Differential Lock Return Spring	1		
3	80-1035-586-00	Transmission Pulley A	1		
4	83-1035-937-10	Differential Lock Wire (SUS)	1		★
5	89-1543-100002	Mini Hexagonal Nut (SW) M10	1		
6	89-1713-100002	Flat Washer 10 (large)	1		
7	89-2150-030180	Key 3*18 (round)	1		
8	89-2511-000120	Snap Ring (S12)	2		



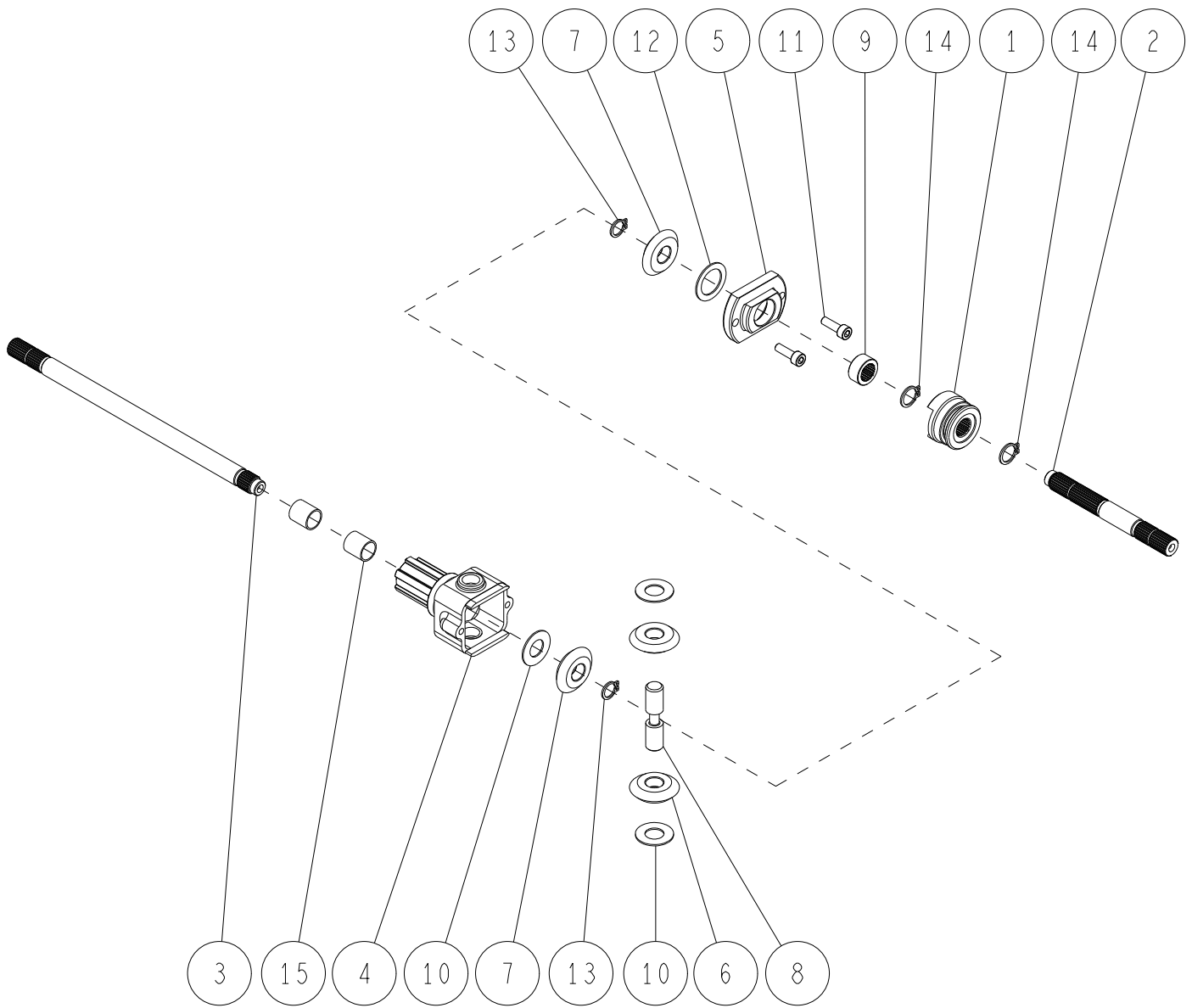
Ref.	Parts No.	Parts Name	Qty	Remark	R/P
1	80-1035-103-00	Transmission Case (Upper)	1		
2	80-1035-117-00	Pinion Bebel 13T	1		
3	80-1035-191-0H	Differential Lock Wire Setting (Metallic Grey)	1		
4	80-1035-192-0H	Differential Clutch Arm (Metallic Grey)	1		
5	80-1035-193-0H	Shift Arm (Metallic Grey)	1		
6	83-1020-148-00	Tapping Bolt M6*14	1		
7	83-1020-351-00	Thrust Washer 10*18*1.0	1		
8	83-1035-148-00	Tapping Bolt M6*18	7		
9	89-1111-060252	Hexagonal Bolt M6*25	2		
10	89-1541-060002	Hexagonal Nut (SW) M6	2		
11	89-1543-080002	Mini Hexagonal Nut (SW) M8	2		
12	89-1712-100002	Flat Washer 10*21*2.1	1		
13	89-1713-060002	Flat Washer 6 (large)	1		
14	89-3111-062004	Bearing 6200	1		
15	89-3115-060004	Bearing 6000 2RS	1		
16	89-5221-010000	O Ring P10	2		



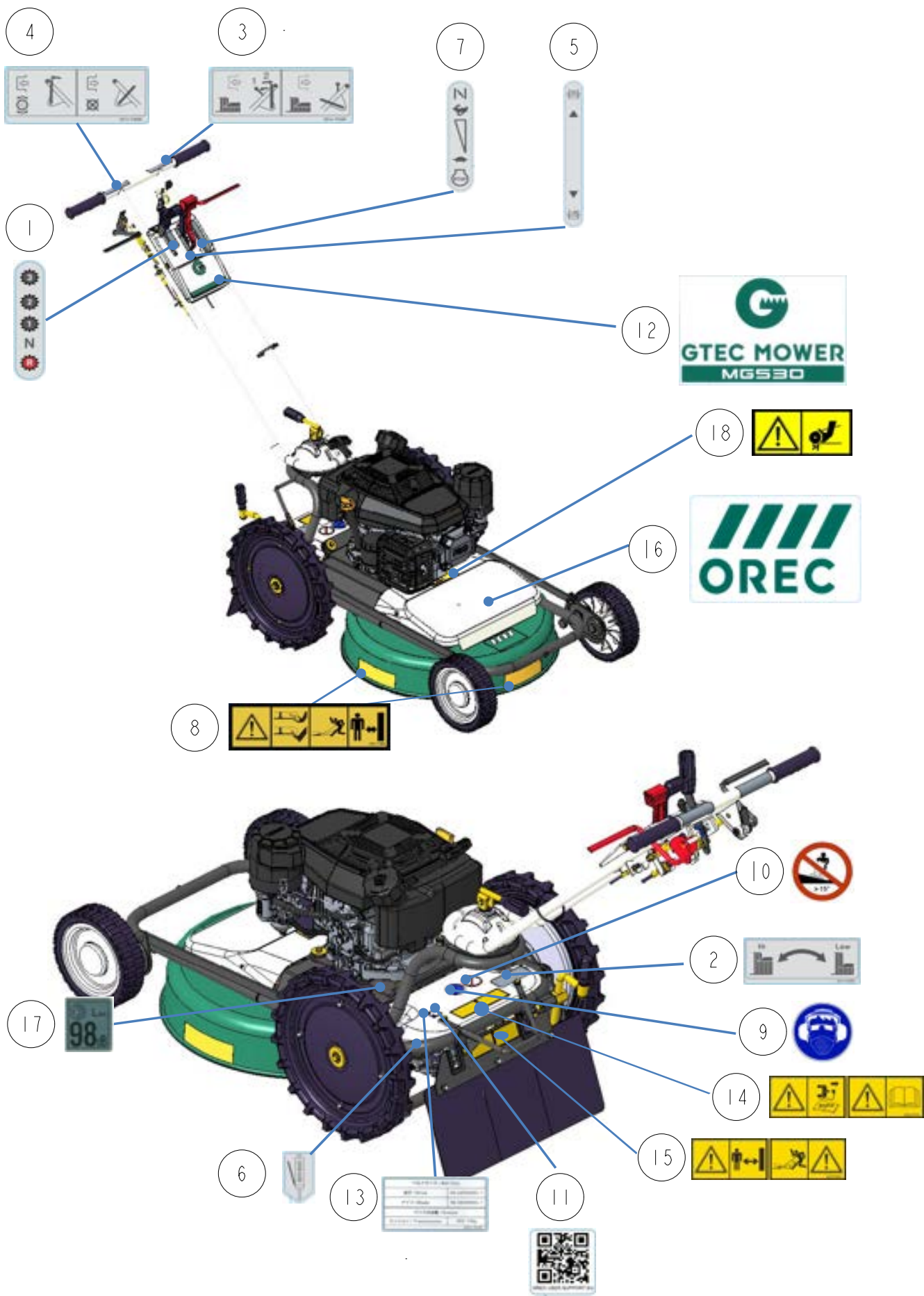
Ref.	Parts No.	Parts Name	Qty	Remark	R/P
1	80-1035-101-00	Transmission Case (Down)	1		
2	80-1035-108-00	Shift Fork	1		
3	80-1035-110-00	Notch Plate	1		
4	80-1035-113-00	Clutch Fork	1		
5	80-1035-160-00	Notch Ball Spring	1		
6	80-1035-171-00	Bush 10	2		
7	80-1035-172-00	Bush 12	2		
8	83-1020-351-00	Thrust Washer 10*18*1.0	2		
9	83-1020-355-00	Thrust Washer 12*24*1.0	2		
10	89-2521-000080	E Type Ring 8	1		
11	89-3410-050000	Steel Ball 5.0	1		
12	89-5130-122204	Oil Seal KE 12.22.4	2		



Ref.	Parts No.	Parts Name	Qty	Remark	R/P
1	0266-00100	B Shaft Sprocket 12T	1		
2	0266-00200	Differential Case Sprocket 22T	1		
3	80-1035-111-00	Shift Collar	1		
4	80-1035-112-00	Shift Key	1		
5	80-1035-114-00	Shift Key Spring	1		
6	80-1035-116-00	Bebel 35T	1		
7	80-1035-122-00	B Shaft	1		
8	80-1035-124-00	B Shaft Gear 16T	1		
9	80-1035-125-00	B Shaft Gear 22T	1		
10	80-1035-126-00	B Shaft Gear 28T	1		
11	80-1035-127-00	Thrust Washer 12*21*1.0	4		
12	80-1035-129-00	B Shaft N Collar	1		
13	80-1035-131-00	Differential Case Gear 36T	1		
14	80-1035-132-00	Differential Case Gear 30T	1		
15	80-1035-133-00	Differential Case Gear 24T	1		
16	80-1035-139-00	Differential Case Collar	1		
17	83-1783-376-00	Thrust Washer 25*34*1.0	2		
18	89-2150-040100	Key 4*10 (round)	1		
19	89-6512-025030	Chain #25H-30L	1		



Ref.	Parts No.	Parts Name	Qty	Remark	R/P
1	80-1035-143-10	Differential Lock Men	1		
2	80-1035-146-10	Drive Shaft (L)	1		
3	80-1035-147-00	Drive Shaft (R)	1		
4	80-1035-151-00	Differential Case	1		
5	80-1035-152-10	Differential Case Cap	1		
6	80-1035-153-00	Differential Bevel Gear 14T	2		
7	80-1035-154-00	Bevel Gear (Right Output) 14T	2		
8	80-1035-157-00	Differential Shaft	1		
9	80-1035-158-00	Differential Lock Collar	1		
10	83-1020-355-00	Thrust Washer 12*24*1.0	3		
11	83-1035-144-00	Hexagonal Bolt M5*16	2		
12	83-1830-368-00	Thrust Washer 18*26*1.0	1		
13	89-2511-000100	Snap Ring (S10)	2		
14	89-2511-000120	Snap Ring (S12)	2		
15	89-3510-012150	DU Bush 12.15	2		



Ref.	Parts No.	Parts Name	Qty	Remark	R/P
1	0214-73200	Label, Change	1		
2	0214-73300	Label, Cutting Height Adjusting	1		
3	0214-73400	Label, Knife	1		
4	0214-73500	Label, Driving	1		
5	0214-73600	Label, Differential Lock	1		
6	0214-73700	Label, Grease	2		
7	0214-73800	Label, Throttle	1		
8	0257-71800	Label, Caution (Middle)	3		
9	0270-71300	Label, Protection Equipment	1		
10	0270-71400	Attention Label for Slope 15°	1		
11	0340-78200	QR Code EU	1		
12	0363-70300	Label, Main MG530	1		
13	0363-70400	Label, Belt Size	1		
14	0363-70700	Label, Caution A	1		
15	0363-70800	Label, Caution B	1		
16	0337-73300	Label, OREC Logo	1	*1)	
	0930-71100	Label, OREC Logo	1		
17	80-1020-933-00	Label, Noise 98db	1		
18	80-1488-928-10	Label, Caution for Belt Involving	1		