

Parts catalogue

BUSH CUTTER

(EXPORT MODEL)

SH61.71
SH61H, SH71H

| MODEL | CODE |
|------------|-------|
| SH61.SH61H | 0257- |
| SH71.SH71H | 0258- |

CONTENTS

| | |
|-----------------------------------|----|
| Fig. 1 HANDLE | 1 |
| Fig. 2 FRAME | 5 |
| Fig. 3 ENGINE PARTS | 7 |
| Fig. 4 FRONT WHEEL | 7 |
| Fig. 5 TRANSMISSION OUTSIDE | 9 |
| Fig. 6 TRANSMISSION | 11 |
| Fig. 7 KNIFE COVER | 15 |
| Fig. 8 REAR WHEEL..... | 19 |

OREC CO.,LTD

Update : March 2012

Fig. 1 HANDLE

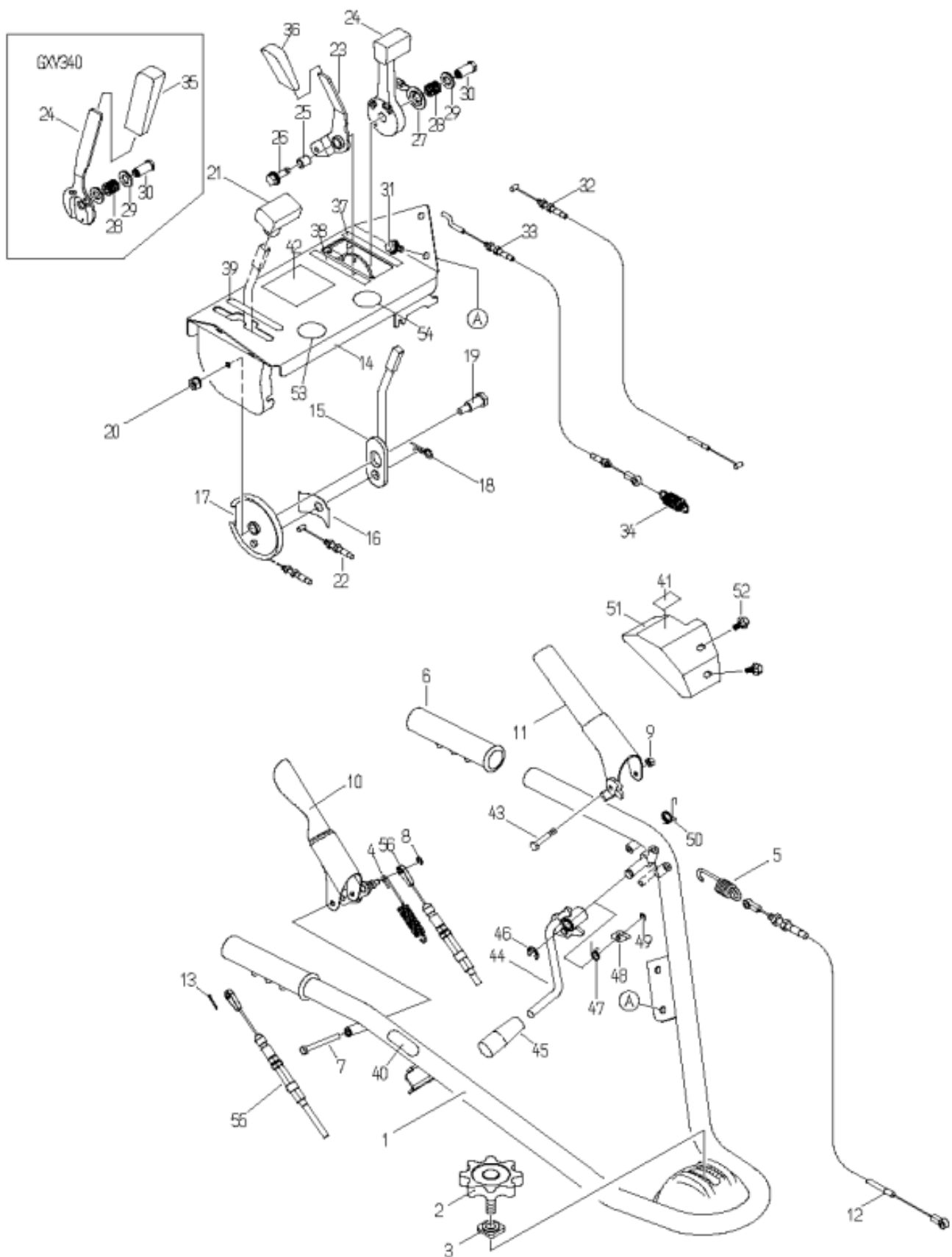


FIG. 1 Handle

| Ref. | Parts No. | Parts Name | Quantity | | | | | Remarks |
|------|----------------|----------------------------------|----------|-------|-------|--------|--------|---------|
| | | | SH61 | SH61H | SH71H | | | |
| | | | KCO | KCO | KCO | OBH | OBH11W | |
| | | | FJ180V | | | GXV340 | | |
| 1 | 0257-10110 | Handle | 1 | 1 | 1 | 1 | 1 | |
| 2 | 80-1516-108-00 | Knob Bolt M12*30 | 1 | 1 | 1 | 1 | 1 | |
| 3 | 0013-10300 | Handle Fixing Washer | 1 | 1 | 1 | 1 | 1 | |
| 4 | 0211-20600 | Brake Spring | 1 | 1 | 1 | 1 | 1 | |
| 5 | 80-1417-966-00 | Clutch Spring | 1 | 1 | 1 | 1 | 1 | |
| 6 | 83-1560-414-00 | Handle Grip 27 | 2 | 2 | 2 | 2 | 2 | |
| 7 | 89-1113-060552 | Hexagonal Bolt (8T) M6*55 | 1 | 1 | 1 | 1 | 1 | |
| 8 | 89-2521-000050 | E Type Ring 5 | 4 | 4 | 4 | 4 | 4 | |
| 9 | 89-1551-060002 | Hexagonal U Nut M6 | 2 | 2 | 2 | 2 | 2 | |
| 10 | 0220-10200 | Driving Clutch Lever | 1 | 1 | 1 | 1 | 1 | |
| 11 | 80-1417-251-20 | Blade Clutch Lever CMP | 1 | 1 | 1 | 1 | 1 | |
| 12 | 0220-70210 | Knife Clutch Wire | 1 | 1 | 1 | 1 | 1 | |
| 13 | 89-2120-200152 | Split Pin 2*15 | 1 | 1 | 1 | 1 | 1 | |
| 14 | 80-1417-223-00 | Control Panel CMP | 1 | 1 | 1 | 1 | 1 | |
| 15 | 80-1417-263-00 | Change Lever | 1 | 1 | 1 | 1 | 1 | |
| 16 | 80-1310-268-00 | Non Flap Spring | 1 | 1 | 1 | 1 | 1 | |
| 17 | 80-1417-266-10 | Wire Guide B | 1 | 1 | 1 | 1 | 1 | |
| 18 | 89-2131-120002 | Snap Pin 12 | 1 | 1 | 1 | 1 | 1 | |
| 19 | 80-1210-267-00 | Wire Guide Axle | 1 | 1 | 1 | 1 | 1 | |
| 20 | 89-1543-080002 | Mini Hexagonal Nut (SW) M8 | 1 | 1 | 1 | 1 | 1 | |
| 21 | 83-1417-435-00 | Lever Grip (Red) | 1 | 1 | 1 | 1 | 1 | |
| 22 | 0257-70400 | Change Wire | 2 | 2 | 2 | 2 | 2 | |
| 23 | 80-1484-273-10 | Differential Lock Lever | 1 | 1 | 1 | 1 | 1 | |
| 24 | 80-1020-261-00 | Throttle Lever (K) | 1 | 1 | 1 | | | |
| | 80-1437-261-00 | Throttle Lever (GXV270) | | | | 1 | 1 | |
| 25 | 80-1020-270-00 | Inner Collar | 1 | 1 | 1 | 1 | 1 | |
| 26 | 89-1239-080302 | Mini Hexagonal Bolt (PWSW) M8*30 | 1 | 1 | 1 | 1 | 1 | |
| 27 | 80-1020-264-00 | Control Washer | 1 | 1 | 1 | | | |
| 28 | 80-1020-263-00 | Control Lever Shaft Spring | 1 | 1 | 1 | 1 | 1 | |
| 29 | 89-1711-120003 | Flat Washer 12 | 1 | 1 | 1 | 1 | 1 | |
| 30 | 80-1020-262-00 | Control Lever Shaft | 1 | 1 | 1 | 1 | 1 | |
| 31 | 89-1233-080162 | Mini Hexagonal Bolt (PWSW) M8*16 | 4 | 4 | 4 | 4 | 4 | |
| 32 | 0257-70600 | Throttle Wire (FJ180V) | 1 | 1 | 1 | | | |
| | 83-1437-952-10 | Throttle Wire (GXV270) | | | | 1 | 1 | |
| 33 | 0257-70200 | Differential Lock Wire | 1 | 1 | 1 | 1 | 1 | |
| 34 | 80-1417-155-00 | Spring | 1 | 1 | 1 | 1 | 1 | |
| 35 | 80-1484-262-00 | Arm Grip (Red) | | | | 1 | 1 | |
| 36 | 80-1515-262-00 | Arm Grip (Black) | 1 | 1 | 1 | 1 | 1 | |
| 37 | 80-1020-911-10 | Throttle Label (K) | 1 | 1 | 1 | 1 | 1 | |
| 38 | 80-1417-906-10 | Label, Differential Lock | 1 | 1 | 1 | 1 | 1 | |
| 39 | 80-1417-911-10 | Label (Change) | 1 | 1 | 1 | 1 | 1 | |
| 40 | 80-1417-914-10 | Label, Driving | 1 | 1 | 1 | 1 | 1 | |
| 41 | 80-1417-918-10 | Label, Cutting | 1 | 1 | 1 | 1 | 1 | |
| 42 | 0257-71100 | Label SH61H | | 1 | | | | |
| | 0257-71300 | Label SH61 | 1 | | | | | |
| | 0258-71100 | Label SH71H | | | 1 | 1 | 1 | |
| 43 | 89-1113-060552 | Hexagonal Bolt (8T) M6*55 | 1 | 1 | 1 | 1 | 1 | |
| 44 | 0231-25200 | Blade Tension Lever | 1 | 1 | 1 | 1 | 1 | |
| 45 | 80-1417-255-00 | Lever Grip (Red) 10 | 1 | 1 | 1 | 1 | 1 | |
| 46 | 89-2521-000100 | E Type Ring 10 | 1 | 1 | 1 | 1 | 1 | |
| 47 | 80-1417-972-20 | Spring for Stopper Return | 1 | 1 | 1 | 1 | 1 | |

Fig. 1 HANDLE

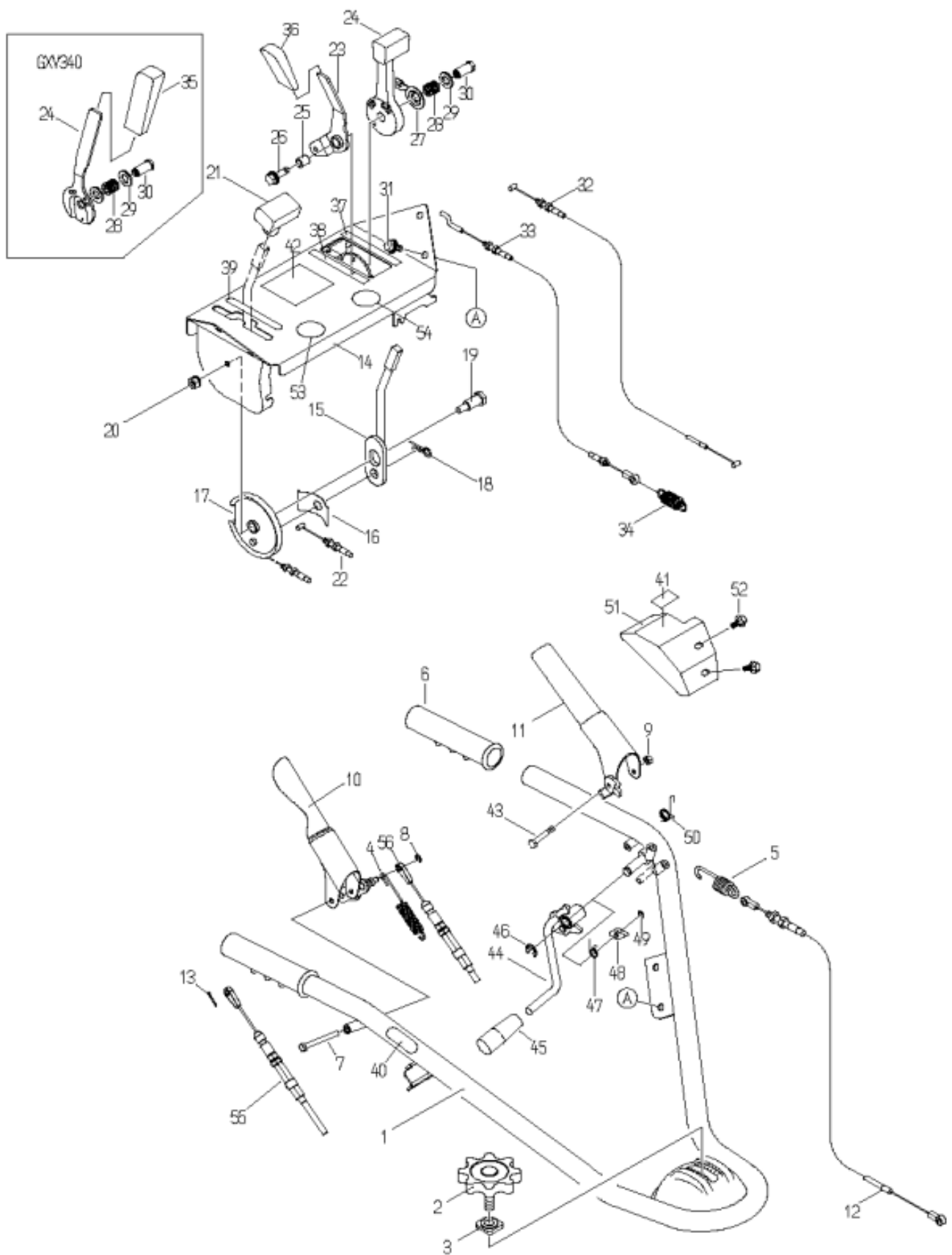


FIG. 1 Handle

| Ref. | Parts No. | Parts Name | Quantity | | | | | Remarks |
|------|----------------|----------------------------------|----------|-------|-------|--------|--------|---------|
| | | | SH61 | SH61H | SH71H | | | |
| | | | KCO | KCO | KCO | OBH | OBH11W | |
| | | | FJ180V | | | GXV340 | | |
| 48 | 80-1417-253-00 | Stopper | 1 | 1 | 1 | 1 | 1 | |
| 49 | 89-2521-000050 | E Type Ring 5 | 1 | 1 | 1 | 1 | 1 | |
| 50 | 80-1417-973-10 | Blade Clutch Lever Return Spring | 1 | 1 | 1 | 1 | 1 | |
| 51 | 0220-10300 | Upper Cover | 1 | 1 | 1 | 1 | 1 | |
| 52 | 89-1137-060122 | Hexagonal Bolt (PW) M6*12 | 1 | 1 | 1 | 1 | 1 | |
| 53 | 0215-83200 | Label, Protection Equipment | 1 | 1 | 1 | 1 | 1 | |
| 54 | 0223-72910 | Attention Mark for Slope | 1 | 1 | 1 | 1 | 1 | |
| 55 | 0220-70300 | Brake Wire | 1 | 1 | 1 | 1 | 1 | |
| 56 | 0220-70100 | Driving Clutch Wire | 1 | 1 | 1 | 1 | 1 | |

Fig. 2 FRAME

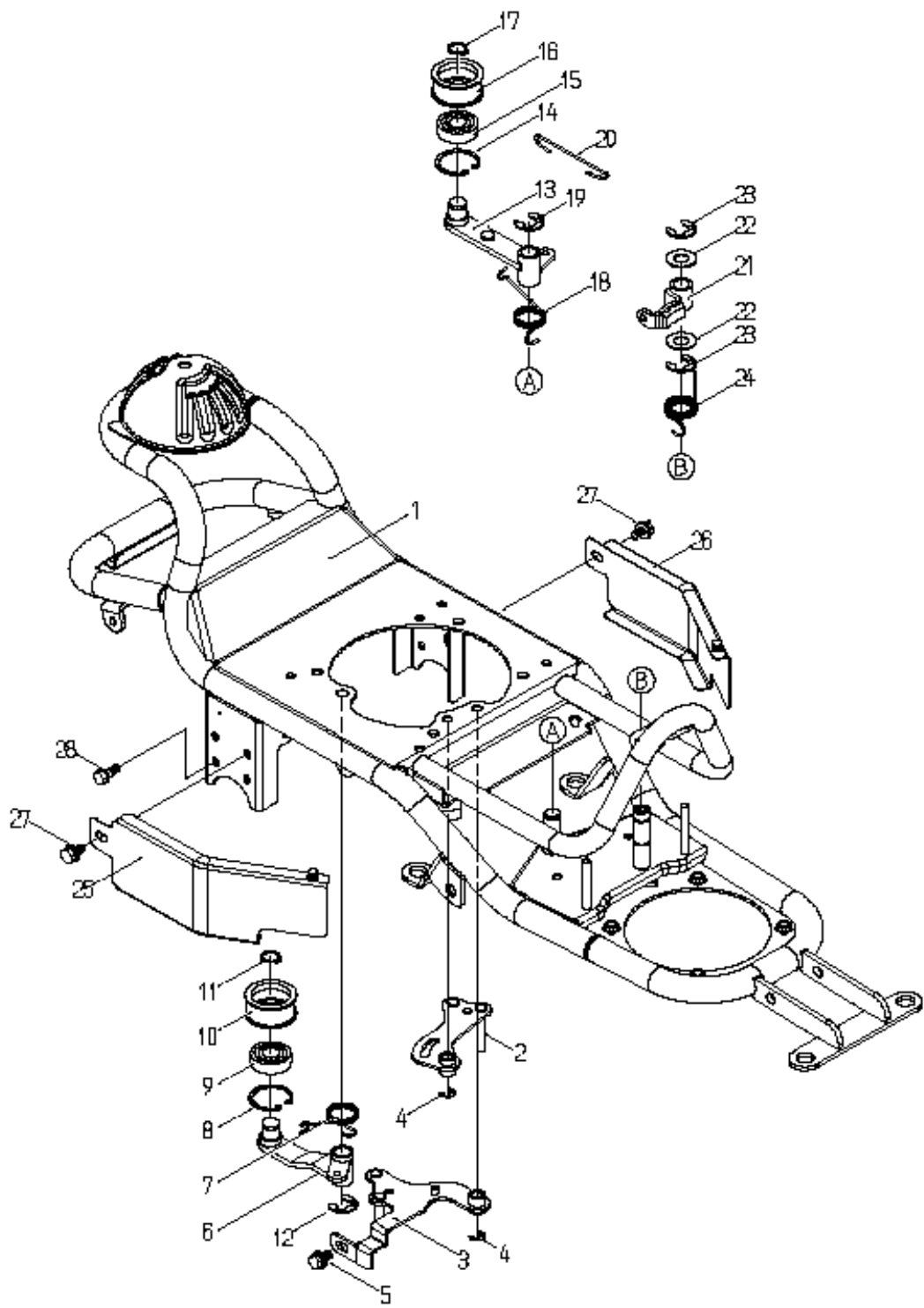


FIG. 2 Frame

| Ref. | Parts No. | Parts Name | Quantity | | | | | Remarks |
|------|----------------|----------------------------------|----------|-------|-------|--------|--------|---------|
| | | | SH61 | SH61H | SH71H | | | |
| | | | KCO | KCO | KCO | OBH | OBH11W | |
| | | | FJ180V | | | GXV340 | | |
| 1 | 0257-20100 | Frame CMP | 1 | 1 | 1 | 1 | 1 | |
| 2 | 0257-41300 | Engine Belt Stopper A | 1 | | | | | |
| | 0257-40300 | Engine Belt Stopper A | | 1 | 1 | 1 | 1 | |
| 3 | 0257-41500 | Engine Belt Stopper B | 1 | | | | | |
| | 0257-40500 | Engine Belt Stopper B | | 1 | 1 | 1 | 1 | |
| 4 | 89-2521-000080 | E Type Ring 8 | 2 | 2 | 2 | 2 | 2 | |
| 5 | 89-1233-080162 | Mini Hexagonal Bolt (PWSW) M8*16 | 1 | 1 | 1 | 1 | 1 | |
| 6 | 0231-54200 | Tension Arm | 1 | 1 | 1 | 1 | 1 | |
| 7 | 80-1417-552-00 | Return Spring | 1 | 1 | 1 | 1 | 1 | |
| 8 | 89-2512-000400 | Snap Ring (R40) | 1 | 1 | 1 | 1 | 1 | |
| 9 | 89-3115-062034 | Bearing 6203 2RS | 1 | 1 | 1 | 1 | 1 | |
| 10 | 83-1032-765-00 | Tension Pulley | 1 | 1 | 1 | 1 | 1 | |
| 11 | 89-2511-000170 | Snap Ring (S17) | 1 | 1 | 1 | 1 | 1 | |
| 12 | 89-2521-000150 | E Type Ring 15 | 1 | 1 | 1 | 1 | 1 | |
| 13 | 0231-54600 | Knife Tension Arm | 1 | 1 | 1 | 1 | 1 | |
| 14 | 89-2512-000400 | Snap Ring (R40) | 1 | 1 | 1 | 1 | 1 | |
| 15 | 89-3115-062034 | Bearing 6203 2RS | 1 | 1 | 1 | 1 | 1 | |
| 16 | 83-1032-765-00 | Tension Pulley | 1 | 1 | 1 | 1 | 1 | |
| 17 | 89-2511-000170 | Snap Ring (S17) | 1 | 1 | 1 | 1 | 1 | |
| 18 | 80-1417-568-10 | Return Spring | 1 | 1 | 1 | 1 | 1 | |
| 19 | 89-2521-000150 | E Type Ring 15 | 1 | 1 | 1 | 1 | 1 | |
| 20 | 0257-41100 | Brake Rod | 1 | 1 | 1 | 1 | 1 | |
| 21 | 0231-37100 | Knife Brake | 1 | 1 | 1 | 1 | 1 | |
| 22 | 83-1020-363-00 | Thrust Washer 16*24*1.0 | 2 | 2 | 2 | 2 | 2 | |
| 23 | 89-2521-000150 | E Type Ring 15 | 2 | 2 | 2 | 2 | 2 | |
| 24 | 80-1417-373-00 | Return Spring | 1 | 1 | 1 | 1 | 1 | |
| 25 | 0257-60100 | Engine Pulley Cover (Right) | 1 | 1 | 1 | 1 | 1 | |
| 26 | 0257-60300 | Engine Pulley Cover (Left) | 1 | 1 | 1 | 1 | 1 | |
| 27 | 89-1233-080162 | Mini Hexagonal Bolt (PWSW) M8*16 | 2 | 2 | 2 | 2 | 2 | |
| 28 | 89-1235-080162 | Mini Hexagonal Bolt (SW) M8*16 | 4 | 4 | 4 | 4 | 4 | |
| 29 | 89-1750-080002 | Spring Washer 8 | 4 | 4 | 4 | 4 | 4 | |

Fig. 3 ENGINE PARTS

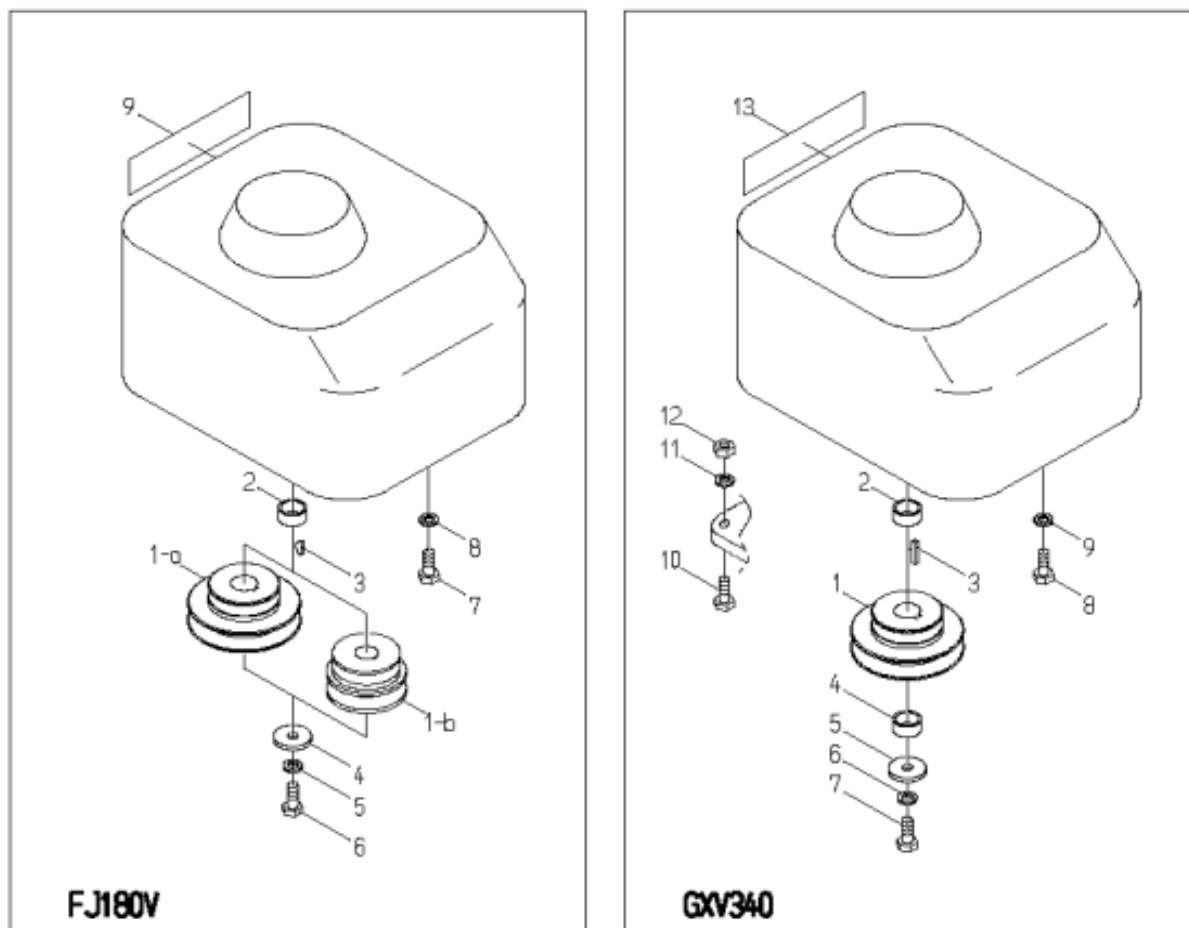


Fig. 4 FRONT WHEEL

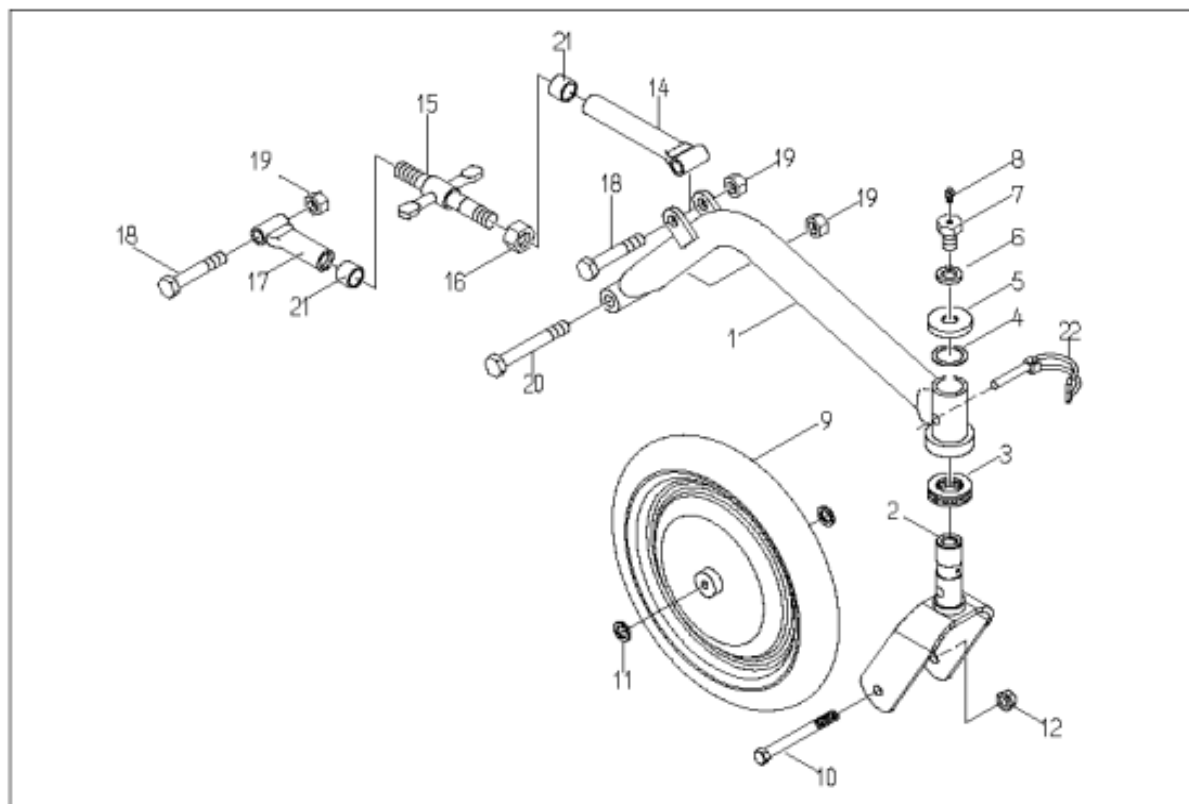


FIG. 3 Engine Parts (KAWASAKI FJ180V)

| Ref. | Parts No. | Parts Name | Quantity | | | | | Remarks |
|--------|----------------|---------------------------------|----------|-------|-------|-----|--------|---------|
| | | | SH61 | SH61H | SH71H | | | |
| | | | KCO | KCO | KCO | OBH | OBH11W | |
| FJ180V | | | GXV340 | | | | | |
| 1-a | 0257-40100 | Engine Pulley | | 1 | 1 | | | |
| 1-b | 80-1417-514-20 | Engine Pulley | 1 | | | | | |
| 2 | 80-1417-516-10 | Pulley Collar (L12.5) | 1 | 1 | 1 | | | |
| 3 | 89-2160-040160 | Woodruff Key 4*16*6.5 | 1 | 1 | 1 | | | |
| 4 | 83-1610-321-00 | Washer 10*36*4.5 | 1 | 1 | 1 | | | |
| 5 | 89-1750-100002 | Spring Washer 10 | 1 | 1 | 1 | | | |
| 6 | 83-1020-118-00 | Hexagonal Bolt 3/8-24*32UNF (K) | 1 | 1 | 1 | | | |
| 7 | 89-1213-100222 | Mini Hexagonal Bolt (8T) M10*22 | 4 | 4 | 4 | | | |
| 8 | 89-1750-100002 | Spring Washer 10 | 4 | 4 | 4 | | | |
| 9 | Engine Parts | Sticker for Engine | 1 | 1 | 1 | | | |

FIG. 3 Engine Parts (HONDA GXV340)

| | | | | | | | | |
|----|----------------|--------------------------------|--|--|--|---|---|--|
| 1 | 0258-40100 | Engine Pulley | | | | 1 | 1 | |
| 2 | 80-1437-516-10 | Pulley Collar (L23) | | | | 1 | 1 | |
| 3 | 83-1437-205-00 | Key 1/4 inch *40 | | | | 1 | 1 | |
| 4 | 80-1330-515-10 | Pulley Collar (L13) | | | | 1 | 1 | |
| 5 | 83-1482-319-00 | Washer 11*36*4.5 | | | | 1 | 1 | |
| 6 | 89-1750-120002 | Spring Washer 12 | | | | 1 | 1 | |
| 7 | 83-1437-115-00 | Hexagonal Bolt (8T) UNF7/16*35 | | | | 1 | 1 | |
| 8 | 83-1482-116-00 | Hexagonal Bolt UNF5/16-24*25 | | | | 2 | 2 | |
| 9 | 89-1750-080002 | Spring Washer 8 | | | | 2 | 2 | |
| 10 | 89-1113-080402 | Hexagonal Bolt (8T) M8*40 | | | | 2 | 2 | |
| 11 | 89-1750-080002 | Spring Washer 8 | | | | 2 | 2 | |
| 12 | 89-1511-080042 | Hexagonal Nut M8 | | | | 2 | 2 | |
| 13 | 0214-72100 | Label, Caution for Engine etc | | | | 1 | 1 | |

FIG. 4 Front Wheel

| | | | | | | | | |
|----|----------------|----------------------------------|---|---|---|---|---|--|
| 1 | 0258-60410 | Front Wheel Arm | 1 | 1 | 1 | 1 | 1 | |
| 2 | 0258-60510 | Front Wheel Fork | 1 | 1 | 1 | 1 | 1 | |
| 3 | 89-3370-051105 | Thrust Bearing 51105 | 1 | 1 | 1 | 1 | 1 | |
| 4 | 83-1783-376-00 | Thrust Washer 25*34*1.0 | 1 | 1 | 1 | 1 | 1 | |
| 5 | 0256-60700 | Dust Cover | 1 | 1 | 1 | 1 | 1 | |
| 6 | 89-1750-140002 | Spring Washer 14 | 1 | 1 | 1 | 1 | 1 | |
| 7 | 84-1783-791-00 | Grease Nipple Bolt M14 | 1 | 1 | 1 | 1 | 1 | |
| 8 | 83-1415-975-00 | Grease Nipple M6 | 1 | 1 | 1 | 1 | 1 | |
| 9 | 0258-70300 | Front Wheel | 1 | 1 | 1 | 1 | 1 | |
| 10 | 89-1213-080802 | Mini Hexagonal Bolt (8T) M8*80 | 1 | 1 | 1 | 1 | 1 | |
| 11 | 89-1711-080002 | Flat Washer 8 | 2 | 2 | 2 | 2 | 2 | |
| 12 | 89-1561-080002 | Mini Hexagonal U Nut M8 | 1 | 1 | 1 | 1 | 1 | |
| 13 | 0258-70200 | pipe pin 8 | 1 | 1 | 1 | 1 | 1 | |
| 14 | 0231-74200 | Receiver for Adjusting Bolt (R) | 1 | 1 | 1 | 1 | 1 | |
| 15 | 0212-74300 | Cutting Height Adjustment Bolt | 1 | 1 | 1 | 1 | 1 | |
| 16 | 89-1511-160042 | Hexagonal Nut M16 | 1 | 1 | 1 | 1 | 1 | |
| 17 | 0212-74100 | Receiver for Adjusting Bolt (L) | 1 | 1 | 1 | 1 | 1 | |
| 18 | 89-1111-120652 | Hexagonal Bolt M12*65 | 2 | 2 | 2 | 2 | 2 | |
| 19 | 89-1551-120002 | Hexagonal U Nut M12 | 3 | 3 | 3 | 3 | 3 | |
| 20 | 89-1111-120902 | Hexagonal Bolt M12*90 | 1 | 1 | 1 | 1 | 1 | |
| 21 | 0231-74300 | Cutting Height Adjustment Collar | 1 | 1 | 1 | 1 | 1 | |

Fig. 5 TRANSMISSION OUTSIDE

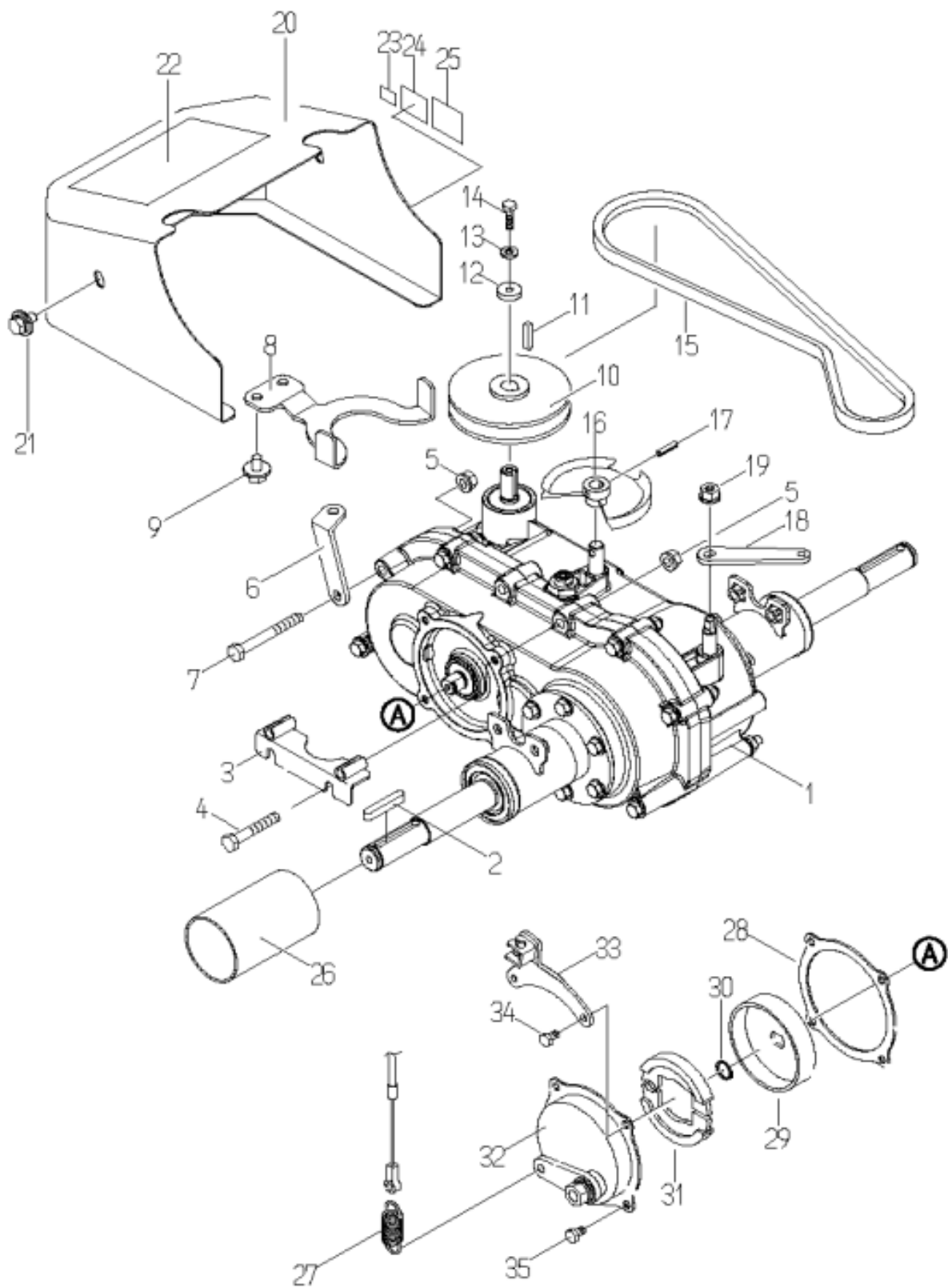


FIG. 5 Transmission Outside

| Ref. | Parts No. | Parts Name | Quantity | | | | | Remarks |
|------|--------------------------------|----------------------------------|----------|-------|-------|--------|--------|---------|
| | | | SH61 | SH61H | SH71H | | | |
| | | | KCO | KCO | KCO | OBH | OBH11W | |
| | | | FJ180V | | | GXV340 | | |
| 1 | 80-1417-100-20 | Transmission Case Assy | 1 | 1 | 1 | 1 | 1 | *1) |
| 2 | 89-2150-070500 | Key 7*50 (round) | 2 | 2 | 2 | 2 | 2 | |
| 3 | 80-1417-195-00 | Receiver for Change Wire | 1 | 1 | 1 | 1 | 1 | *1) |
| 4 | 89-1251-080502 | Flange Mini Hexagonal Bolt M8*50 | 2 | 2 | 2 | 2 | 2 | *1) |
| 5 | 83-1484-255-00 | Lock Nut ZUF M8 | 12 | 12 | 12 | 12 | 12 | |
| 6 | 80-1417-198-00 | Transmission Arm | 1 | 1 | 1 | 1 | 1 | |
| 7 | 89-1251-080702 | Flange Mini Hexagonal Bolt M8*70 | 1 | 1 | 1 | 1 | 1 | |
| 8 | 80-1417-527-10 | Driving Belt Stopper | 1 | 1 | 1 | 1 | 1 | |
| 9 | 89-1233-080162 | Mini Hexagonal Bolt (PWSW) M8*16 | 3 | 3 | 3 | 3 | 3 | |
| 10 | 80-1417-521-10 | Transmission Pulley | 1 | 1 | 1 | 1 | 1 | |
| 11 | 89-2151-050250 | Key 5*25 (half round) | 1 | 1 | 1 | 1 | 1 | |
| 12 | 83-1482-311-00 | Washer 6.5*22*3.2 | 1 | 1 | 1 | 1 | 1 | |
| 13 | 89-1750-060002 | Spring Washer 6 | 1 | 1 | 1 | 1 | 1 | |
| 14 | 89-1113-060202 | Hexagonal Bolt (8T) M6*20 | 1 | 1 | 1 | 1 | 1 | |
| 15 | 89-6122-003600 | V Belt LA-36 | 1 | 1 | 1 | 1 | 1 | |
| 16 | 80-1417-191-00 | Wire Guard A | 1 | 1 | 1 | 1 | 1 | |
| 17 | 89-2111-050020 | Spring Pin 5*20 | 1 | 1 | 1 | 1 | 1 | |
| 18 | 80-1417-153-00 | Differential Lock Arm | 1 | 1 | 1 | 1 | 1 | |
| 19 | 89-1543-080002 | Mini Hexagonal Nut (SW) M8 | 1 | 1 | 1 | 1 | 1 | |
| 20 | 80-1417-504-10 | Transmission Pulley Cover | 1 | 1 | 1 | 1 | 1 | |
| 21 | 89-1233-080162 | Mini Hexagonal Bolt (PWSW) M8*16 | 2 | 2 | 2 | 2 | 2 | |
| 22 | 0223-76100 | Label, Caution (Large) | 2 | 2 | 2 | 2 | 2 | |
| 23 | 80-1010-933-00 | Label, CE | 1 | 1 | 1 | 1 | 1 | |
| 24 | 80-1020-932-00 | Label, Noise 100db | 1 | 1 | 1 | 1 | 1 | |
| 25 | Not for sale | Serial Number | 1 | 1 | 1 | 1 | 1 | |
| 26 | 80-1417-411-00 | Axle Cover Pipe | 2 | 2 | | | | |
| | 80-1437-441-00 | Axle Cover Pipe | | | 2 | 2 | 2 | |
| 27 | 80-1614-315-00 | Return Spring | 1 | 1 | 1 | 1 | 1 | |
| 28 | 0207-04100 | Brake Cover PK (PA-7) | 1 | 1 | 1 | 1 | 1 | *1) |
| 29 | 80-1030-282-00 | Brake Drum (PA-7) | 1 | 1 | 1 | 1 | 1 | *1) |
| 30 | 89-2511-000150 | Snap Ring (S15) | 1 | 1 | 1 | 1 | 1 | *1) |
| 31 | 0244-88100 | Brake Shoe Set (PA-7) | 1 | 1 | 1 | 1 | 1 | *1) |
| 32 | 80-1030-271-00 | Brake Cap Assy | 1 | 1 | 1 | 1 | 1 | *1) |
| 33 | 85-1417-291-10 | Receiver for Brake Wire | 1 | 1 | 1 | 1 | 1 | *1) |
| 34 | 83-1035-148-00 | Tapping Bolt M6*18 | 2 | 2 | 2 | 2 | 2 | *1) |
| 35 | 83-1020-148-00 | Tapping Bolt M6*14 | 2 | 2 | 2 | 2 | 2 | *1) |

*1) : Set code is 80-1417-100-20, which include 3), 4) and 28) ~ 35).

Fig. 6 TRANSMISSION

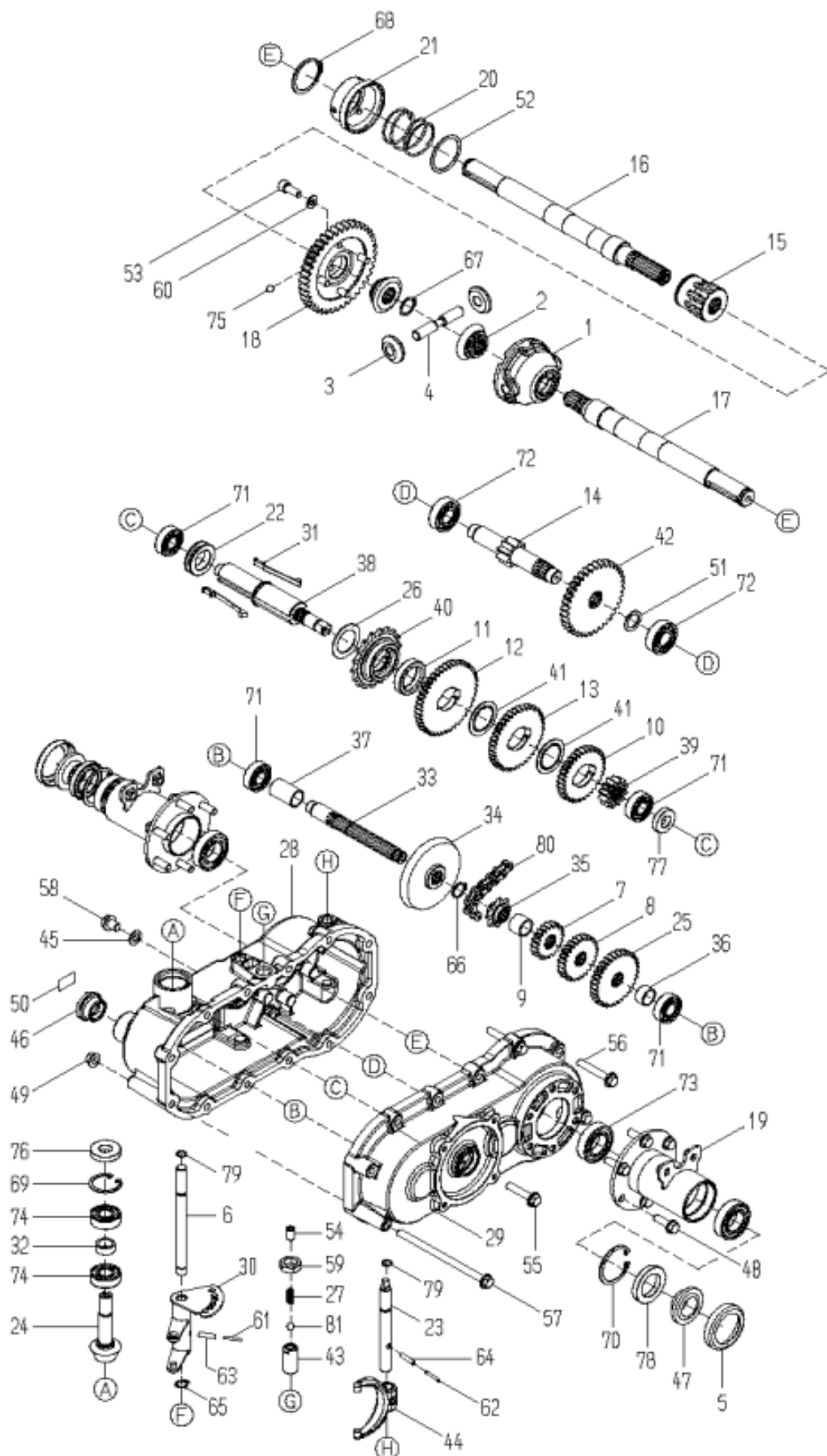


FIG. 6 Transmission

| Ref. | Parts No. | Parts Name | Quantity | | | | | Remarks |
|------|----------------|--------------------------------|----------|-------|-------|--------|--------|---------|
| | | | SH61 | SH61H | SH71H | | | |
| | | | KCO | KCO | KCO | OBH | OBH11W | |
| | | | FJ180V | | | GXV340 | | |
| 1 | 80-1260-151-00 | Differential Lock Case | 1 | 1 | 1 | 1 | 1 | |
| 2 | 80-1260-152-00 | Differential Gear 14T | 2 | 2 | 2 | 2 | 2 | |
| 3 | 80-1260-153-00 | Pinion 10T Gear | 2 | 2 | 2 | 2 | 2 | |
| 4 | 80-1260-155-10 | Differential Pinion Shaft | 1 | 1 | 1 | 1 | 1 | |
| 5 | 80-1415-411-00 | Dust Cover | 2 | 2 | 2 | 2 | 2 | |
| 6 | 80-1417-110-00 | Shift Fork Axle | 1 | 1 | 1 | 1 | 1 | |
| 7 | 80-1417-123-00 | B Axle Gear 20T | 1 | 1 | 1 | 1 | 1 | |
| 8 | 80-1417-124-00 | B Axle Gear 26T | 1 | 1 | 1 | 1 | 1 | |
| 9 | 80-1417-129-00 | Collar 18*22*16.5 | 1 | 1 | 1 | 1 | 1 | |
| 10 | 80-1417-135-00 | C Axle Gear 33T | 1 | 1 | 1 | 1 | 1 | |
| 11 | 80-1417-136-00 | C Axle Collar | 1 | 1 | 1 | 1 | 1 | |
| 12 | 80-1417-137-00 | C Axle Gear 45T | 1 | 1 | 1 | 1 | 1 | |
| 13 | 80-1417-138-00 | C Axle Gear 39T | 1 | 1 | 1 | 1 | 1 | |
| 14 | 80-1417-142-00 | D Axle | 1 | 1 | 1 | 1 | 1 | |
| 15 | 80-1417-143-10 | Differential Lock Shaft | 1 | 1 | 1 | 1 | 1 | |
| 16 | 0257-00100 | Axle (Left) CMP | 1 | 1 | 1 | 1 | 1 | |
| 17 | 0257-00200 | Axle (Right) CMP | 1 | 1 | 1 | 1 | 1 | |
| 18 | 80-1417-148-00 | Axle 40T Gear | 1 | 1 | 1 | 1 | 1 | |
| 19 | 80-1417-156-00 | Axle BB Case CMP | 2 | 2 | 2 | 2 | 2 | |
| 20 | 80-1417-162-00 | Differential Lock Spring | 1 | 1 | 1 | 1 | 1 | |
| 21 | 80-1425-143-00 | Differential Lock Cone | 1 | 1 | 1 | 1 | 1 | |
| 22 | 80-1481-111-00 | Shift Key Holder | 1 | 1 | 1 | 1 | 1 | |
| 23 | 80-1481-116-00 | Differential Lock Fork Axle | 1 | 1 | 1 | 1 | 1 | |
| 24 | 80-1481-118-00 | A Axle 15T | 1 | 1 | 1 | 1 | 1 | |
| 25 | 80-1481-125-00 | B Axle Gear 33T | 1 | 1 | 1 | 1 | 1 | |
| 26 | 80-1481-139-00 | C Axle Thrust Washer 29*40*1.0 | 1 | 1 | 1 | 1 | 1 | |
| 27 | 80-1481-160-00 | Pushing Spring 1.0 | 1 | 1 | 1 | 1 | 1 | |
| 28 | 80-1482-101-10 | Transmission Case (Left) | 1 | 1 | 1 | 1 | 1 | |
| 29 | 80-1482-103-00 | Transmission Case (Right) | 1 | 1 | 1 | 1 | 1 | |
| 30 | 80-1482-108-00 | Shift Fork | 1 | 1 | 1 | 1 | 1 | |
| 31 | 80-1482-113-00 | Shift Key | 2 | 2 | 2 | 2 | 2 | |
| 32 | 80-1482-119-00 | A Axle Collar 9 | 1 | 1 | 1 | 1 | 1 | |
| 33 | 80-1482-122-00 | B Axle | 1 | 1 | 1 | 1 | 1 | |
| 34 | 80-1482-127-00 | Bevel Gear 45T | 1 | 1 | 1 | 1 | 1 | |
| 35 | 80-1482-128-00 | B Axle Sprocket 8T | 1 | 1 | 1 | 1 | 1 | |
| 36 | 80-1482-130-00 | Collar 18*22*11 | 1 | 1 | 1 | 1 | 1 | |
| 37 | 80-1482-131-00 | Collar 18*22*34 | 1 | 1 | 1 | 1 | 1 | |
| 38 | 80-1482-132-10 | C Axle | 1 | 1 | 1 | 1 | 1 | |
| 39 | 80-1482-133-00 | C Axle Gear 12T | 1 | 1 | 1 | 1 | 1 | |
| 40 | 80-1482-138-00 | Sprocket 18T | 1 | 1 | 1 | 1 | 1 | |
| 41 | 80-1482-139-00 | C Axle Thrust Washer 29*44*1.0 | 2 | 2 | 2 | 2 | 2 | |
| 42 | 80-1482-144-00 | D Axle Gear 36T | 1 | 1 | 1 | 1 | 1 | |
| 43 | 80-1482-162-00 | Screw for Adjusting Notch | 1 | 1 | 1 | 1 | 1 | |
| 44 | 80-1830-113-00 | Differential Lock Fork | 1 | 1 | 1 | 1 | 1 | |
| 45 | 83-1020-349-00 | Copper Packing 10.5*18*1.6 | 1 | 1 | 1 | 1 | 1 | |
| 46 | 83-1032-689-00 | Oil Gauge KMS28A | 1 | 1 | 1 | 1 | 1 | |
| 47 | 83-1415-663-00 | Oil Seal AP 30.47.7 | 2 | 2 | 2 | 2 | 2 | |
| 48 | 83-1482-143-00 | Tapping Bolt M8*25 | 12 | 12 | 12 | 12 | 12 | |
| 49 | 83-1484-255-00 | Lock Nut ZUF M8 | 9 | 9 | 9 | 9 | 9 | |
| 50 | 83-1712-923-00 | Label, Oil Quantity 1.6 L | 1 | 1 | 1 | 1 | 1 | |
| 51 | 83-1830-368-00 | Thrust Washer 18*26*1.0 | 1 | 1 | 1 | 1 | 1 | |

Fig. 6 TRANSMISSION

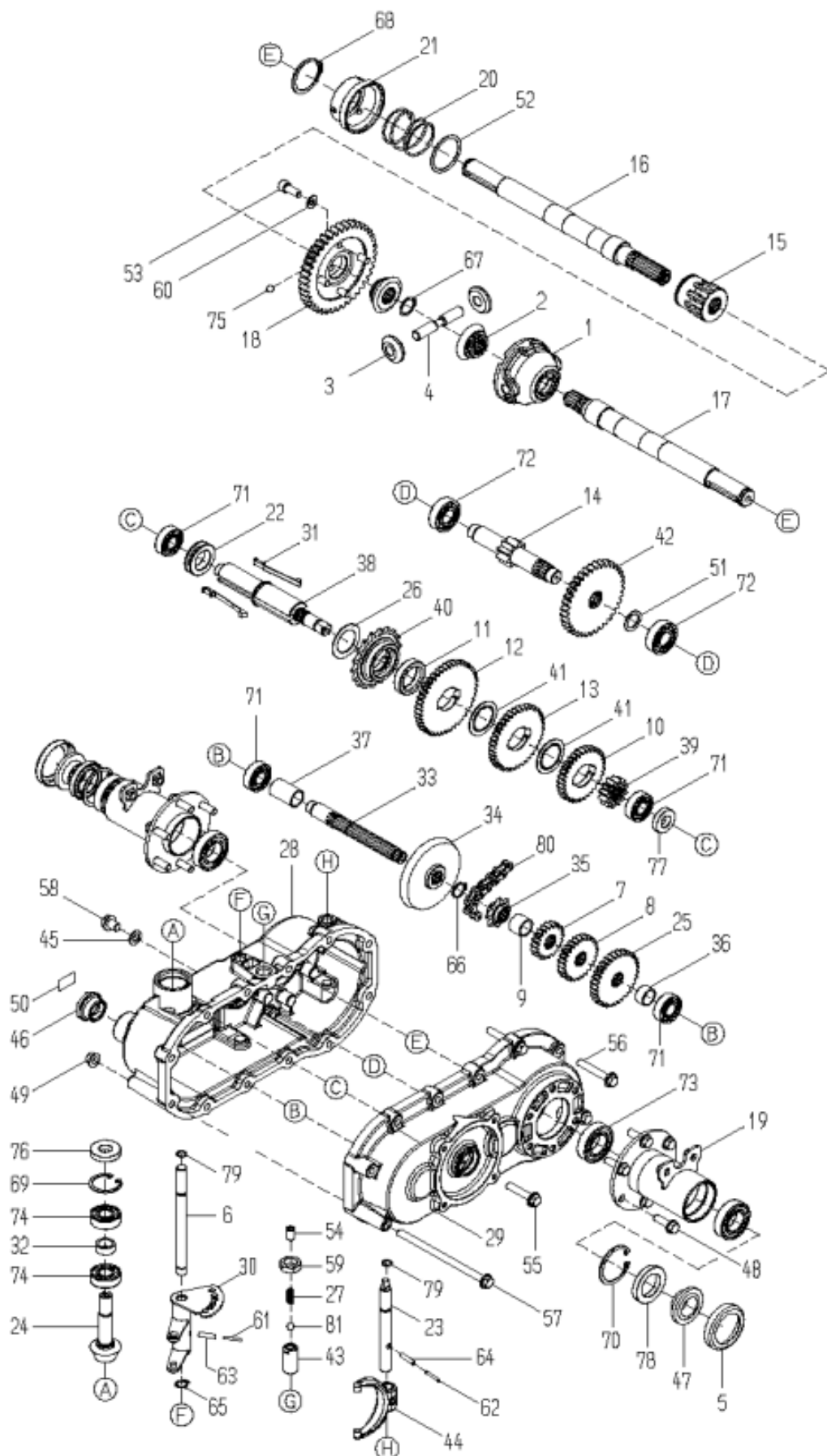


FIG. 6 Transmission

| Ref. | Parts No. | Parts Name | Quantity | | | | | Remarks |
|------|----------------|---|----------|-------|-------|--------|--------|---------|
| | | | SH61 | SH61H | SH71H | | | |
| | | | KCO | KCO | KCO | OBH | OBH11W | |
| | | | FJ180V | | | GXV340 | | |
| 52 | 83-1830-382-00 | Thrust Washer 40*48*1.0 | 1 | 1 | 1 | 1 | 1 | |
| 53 | 83-1981-149-00 | Hexagonal Bolt with Hole M8*20 | 4 | 4 | 4 | 4 | 4 | |
| 54 | 89-1172-100165 | Hexagonal Hole Screw M10*16 | 1 | 1 | 1 | 1 | 1 | |
| 55 | 89-1251-080403 | Flange Mini Hexagonal Bolt M8*40 | 1 | 1 | 1 | 1 | 1 | |
| 56 | 89-1251-080503 | Flange Mini Hexagonal Bolt M8*50 | 7 | 7 | 7 | 7 | 7 | |
| 57 | 89-1251-081403 | Flange Mini Hexagonal Bolt M8*140 | 2 | 2 | 2 | 2 | 2 | |
| 58 | 89-1252-100123 | Flange Mini Hexagonal Bolt M10*12 (slender) | 1 | 1 | 1 | 1 | 1 | |
| 59 | 89-1514-160042 | Hexagonal Nut (3 sorts) M16 (slender) | 1 | 1 | 1 | 1 | 1 | |
| 60 | 89-1750-080002 | Spring Washer 8 | 4 | 4 | 4 | 4 | 4 | |
| 61 | 89-2120-300252 | Split Pin 3*25 | 1 | 1 | 1 | 1 | 1 | |
| 62 | 89-2111-030022 | Spring Pin 3*22 | 1 | 1 | 1 | 1 | 1 | |
| 63 | 89-2111-050022 | Spring Pin 5*22 | 1 | 1 | 1 | 1 | 1 | |
| 64 | 89-2111-050022 | Spring Pin 5*22 | 1 | 1 | 1 | 1 | 1 | |
| 65 | 89-2511-000120 | Snap Ring (S12) | 1 | 1 | 1 | 1 | 1 | |
| 66 | 89-2511-000170 | Snap Ring (S17) | 1 | 1 | 1 | 1 | 1 | |
| 67 | 89-2511-000200 | Snap Ring (S20) | 1 | 1 | 1 | 1 | 1 | |
| 68 | 89-2511-000400 | Snap Ring (S40) | 1 | 1 | 1 | 1 | 1 | |
| 69 | 89-2512-000350 | Snap Ring (R35) | 1 | 1 | 1 | 1 | 1 | |
| 70 | 89-2512-000470 | Snap Ring (R47) | 2 | 2 | 2 | 2 | 2 | |
| 71 | 89-3111-062024 | Bearing 6202 | 4 | 4 | 4 | 4 | 4 | |
| 72 | 89-3111-062034 | Bearing 6203 | 2 | 2 | 2 | 2 | 2 | |
| 73 | 89-3115-060054 | Bearing 6005 2RS | 4 | 4 | 4 | 4 | 4 | |
| 74 | 89-3115-062024 | Bearing 6202 2RS | 2 | 2 | 2 | 2 | 2 | |
| 75 | 89-3410-075000 | Steel Ball 7.5 | 3 | 3 | 3 | 3 | 3 | |
| 76 | 89-5111-153507 | Oil Seal AD 15.35.7 | 1 | 1 | 1 | 1 | 1 | |
| 77 | 89-5121-153007 | Oil Seal UE 15.30.7 | 1 | 1 | 1 | 1 | 1 | |
| 78 | 89-5121-304707 | Oil Seal UE 30.47.7 | 2 | 2 | 2 | 2 | 2 | |
| 79 | 89-5221-009000 | O Ring P9 | 2 | 2 | 2 | 2 | 2 | |
| 80 | 89-6513-420024 | Chain #420-24L | 1 | 1 | 1 | 1 | 1 | |
| 81 | 89-3410-080000 | Steel Ball 8.0 | 1 | 1 | 1 | 1 | 1 | |

Fig. 7 KNIFE COVER

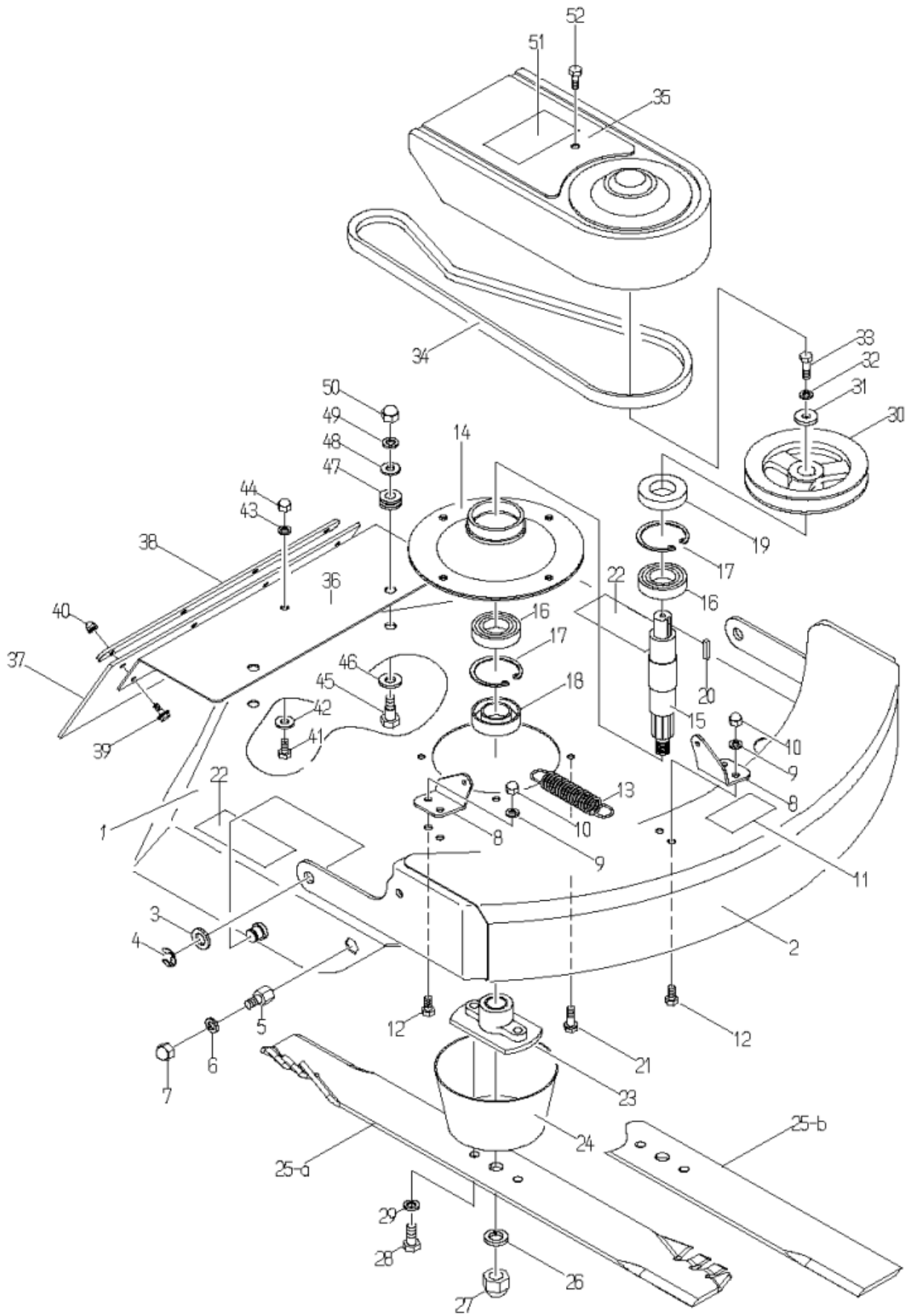


FIG. 7 Knife Cover

| Ref. | Parts No. | Parts Name | Quantity | | | | | Remarks |
|------|----------------|---------------------------------------|----------|-------|-------|--------|--------|---------|
| | | | SH61 | SH61H | SH71H | | | |
| | | | KCO | KCO | KCO | OBH | OBH11W | |
| | | | FJ180V | | | GXV340 | | |
| 1 | 0231-73100 | Knife Cover CMP | 1 | 1 | | | | |
| | 0232-73100 | Knife Cover CMP | | | 1 | 1 | 1 | |
| 2 | 80-1417-733-00 | Front Guard CMP | 1 | 1 | | | | |
| | 80-1437-733-00 | Front Guard CMP | | | 1 | 1 | 1 | |
| 3 | 83-1630-342-00 | Washer 16*26*2.3 | 2 | 2 | 2 | 2 | 2 | |
| 4 | 89-2521-000120 | E Type Ring 12 | 2 | 2 | 2 | 2 | 2 | |
| 5 | 80-1417-736-00 | Bolt for Fixing Front Guard | 2 | 2 | 2 | 2 | 2 | |
| 6 | 89-1750-100002 | Spring Washer 10 | 2 | 2 | 2 | 2 | 2 | |
| 7 | 89-1671-100042 | Mini Cap Nut M10 | 2 | 2 | 2 | 2 | 2 | |
| 8 | 80-1020-705-30 | Lock Arm Bracket A | 2 | 2 | 2 | 2 | 2 | |
| 9 | 89-1750-080002 | Spring Washer 8 | 4 | 4 | 4 | 4 | 4 | |
| 10 | 89-1671-080042 | Mini Cap Nut M8 | 4 | 4 | 4 | 4 | 4 | |
| 11 | 0203-71100 | Label, Main (Shuttle Mower) | 4 | 4 | 4 | 4 | 4 | |
| 12 | 89-1213-080162 | Mini Hexagonal Bolt (8T) M8*16 | 4 | 4 | 4 | 4 | 4 | |
| 13 | 80-1417-735-00 | Spring | 1 | 1 | 1 | 1 | 1 | |
| 14 | 80-1417-601-00 | Knife BB Case | 1 | 1 | 1 | 1 | 1 | |
| 15 | 0231-64100 | Knife Axle | 1 | 1 | 1 | 1 | 1 | |
| 16 | 89-3115-060064 | Bearing 6006 2RS | 2 | 2 | 2 | 2 | 2 | |
| 17 | 89-2512-000550 | Snap Ring (R55) | 2 | 2 | 2 | 2 | 2 | |
| 18 | 0297-08000 | Oil Seal 35.55.16 (with AP) | 1 | 1 | 1 | 1 | 1 | |
| 19 | 89-5121-305512 | Oil Seal UE 30.55.12 | 1 | 1 | 1 | 1 | 1 | |
| 20 | 89-2151-050250 | Key 5*25 (half round) | 1 | 1 | 1 | 1 | 1 | |
| 21 | 89-1236-080252 | Mini Hexagonal Bolt (PWSW) M8*25 | 4 | 4 | 4 | 4 | 4 | |
| 22 | 80-1488-926-10 | Label, Caution for Knife | 4 | 4 | 4 | 4 | 4 | |
| 23 | 84-1763-833-00 | Knife Bracket | 1 | 1 | 1 | 1 | 1 | |
| 24 | 80-1415-836-00 | Knife Neck Guard | 1 | 1 | 1 | 1 | 1 | |
| 25-a | 0257-70800 | Mulching Knife 60 | | 1 | | | | |
| | 0258-70400 | Mulching Knife 70 | | | 1 | 1 | 1 | |
| 25-b | 80-1415-821-00 | Bar Knife | 1 | | | | | |
| | 80-1445-821-00 | Bar Knife SH70 | | | | | | |
| 26 | 89-1750-160002 | Spring Washer 16 | 1 | 1 | 1 | 1 | 1 | |
| 27 | 83-1732-175-00 | Bag Nut M16 (Lock) | 1 | 1 | 1 | 1 | 1 | |
| 28 | 89-1213-100252 | Mini Hexagonal Bolt (8T) M10*25 | 2 | 2 | 2 | 2 | 2 | |
| 29 | 89-1750-100002 | Spring Washer 10 | 2 | 2 | 2 | 2 | 2 | |
| 30 | 80-1415-571-10 | Knife Pulley | 1 | 1 | 1 | 1 | 1 | |
| 31 | 80-1020-312-00 | Washer 8*30*3.2 | 1 | 1 | 1 | 1 | 1 | |
| 32 | 89-1750-080002 | Spring Washer 8 | 1 | 1 | 1 | 1 | 1 | |
| 33 | 89-1253-080252 | Flange Mini Hexagonal Bolt (8T) M8*25 | 1 | 1 | 1 | 1 | 1 | |
| 34 | 89-6123-004301 | V Belt LBR-43 | 1 | | | | | |
| | 89-6123-004501 | V Belt SBR-45 | | 1 | 1 | 1 | 1 | |
| 35 | 0257-60500 | Knife Pulley Cover | 1 | 1 | 1 | 1 | 1 | |
| 36 | 0231-75100 | Rear Guard | 1 | 1 | | | | |
| | 0232-75100 | Rear Guard | | | 1 | 1 | | |
| | 0258-60100 | Rear Guard | | | | | 1 | |
| 37 | 80-1417-781-10 | Rear Flapper | 1 | 1 | | | | |
| | 80-1437-781-10 | Rear Flapper | | | 1 | 1 | | |
| | 0258-60300 | Rear Flapper | | | | | 1 | |

Fig. 7 KNIFE COVER

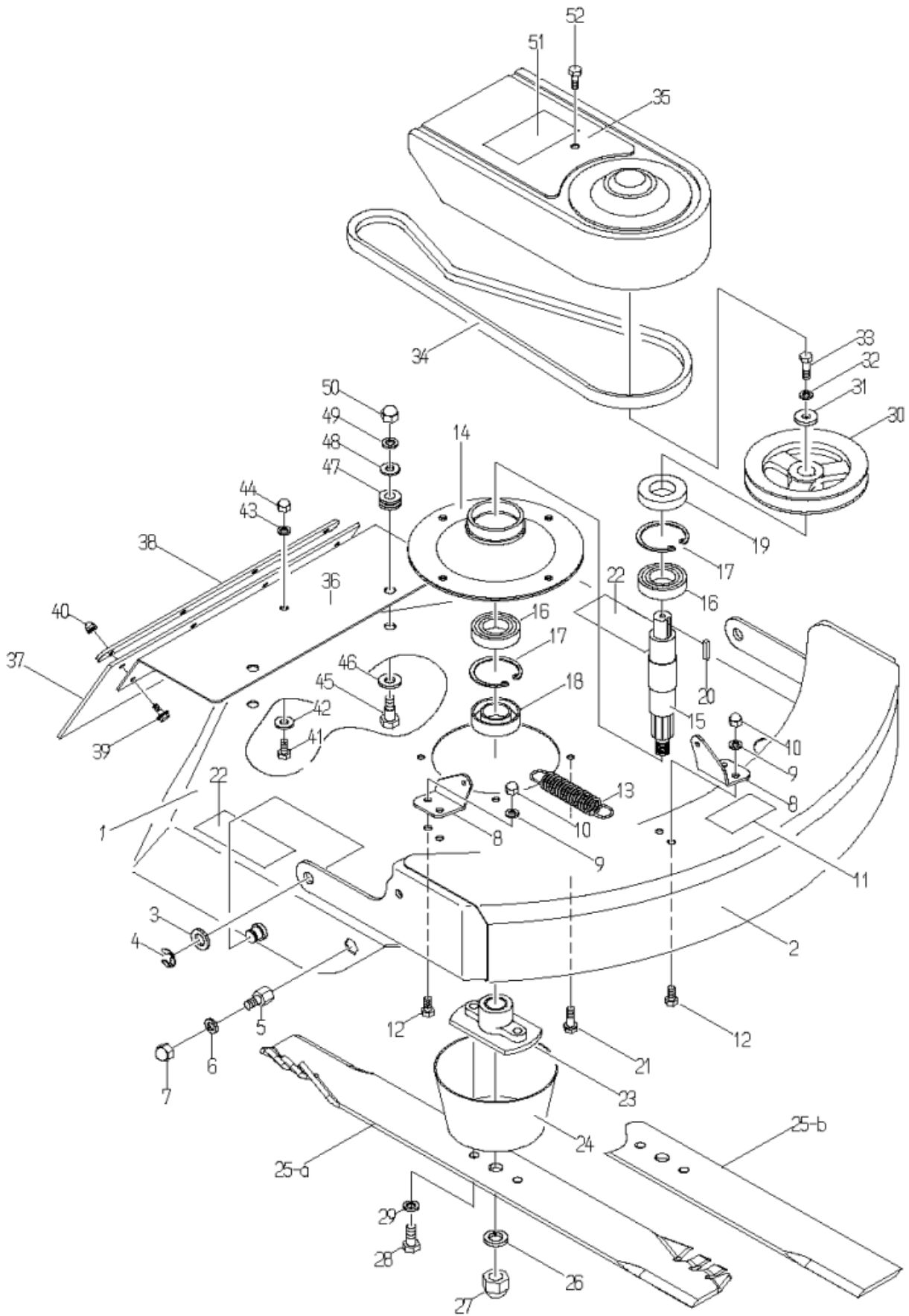


FIG. 7 Knife Cover

| Ref. | Parts No. | Parts Name | Quantity | | | | | Remarks |
|------|----------------|---------------------------------------|----------|-------|-------|--------|--------|---------|
| | | | SH61 | SH61H | SH71H | | | |
| | | | KCO | KCO | KCO | OBH | OBH11W | |
| | | | FJ180V | | | GXV340 | | |
| 38 | 80-1417-785-10 | Supporter for Flapper | 1 | 1 | | | | |
| | 80-1437-785-10 | Supporter for Flapper | | | 1 | 1 | | |
| | 0258-60200 | Supporter for Flapper | | | | | 1 | |
| 39 | 89-1137-060152 | Hexagonal Bolt (PW) M6*15 | 4 | 4 | 4 | 4 | 4 | |
| 40 | 89-1581-060042 | Flange Cap Nut M6 | 4 | 4 | 4 | 4 | 4 | |
| 41 | 89-1253-080162 | Flange Mini Hexagonal Bolt (8T) M8*16 | 1 | 1 | 1 | 1 | 1 | |
| 42 | 89-1714-080002 | Flat Washer 8 | 1 | 1 | 1 | 1 | 1 | |
| 43 | 89-1750-080002 | Spring Washer 8 | 1 | 1 | 1 | 1 | 1 | |
| 44 | 89-1671-080042 | Mini Cap Nut M8 | 1 | 1 | 1 | 1 | 1 | |
| 45 | 80-1450-709-00 | Bolt for Attaching Stay | 4 | 4 | 4 | 4 | 4 | |
| 46 | 89-1714-120002 | Flat Washer 12 | 4 | 4 | 4 | 4 | 4 | |
| 47 | 80-1450-719-00 | Grommet | 4 | 4 | 4 | 4 | 4 | |
| 48 | 89-1714-100002 | Flat Washer 10 | 4 | 4 | 4 | 4 | 4 | |
| 49 | 89-1750-100002 | Spring Washer 10 | 4 | 4 | 4 | 4 | 4 | |
| 50 | 89-1671-100042 | Mini Cap Nut M10 | 4 | 4 | 4 | 4 | 4 | |
| 51 | 80-1488-928-10 | Label, Caution for Belt Involving | 1 | 1 | 1 | 1 | 1 | |
| 52 | 89-1236-080162 | Mini Hexagonal Bolt (PWSW) M8*16 | 1 | 1 | 1 | 1 | 1 | |

Fig. 8 REAR WHEEL

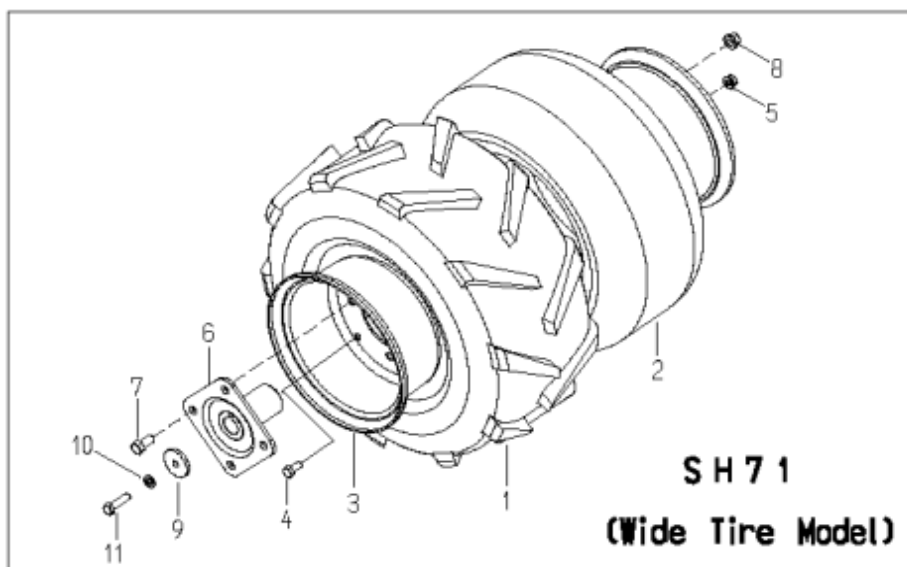
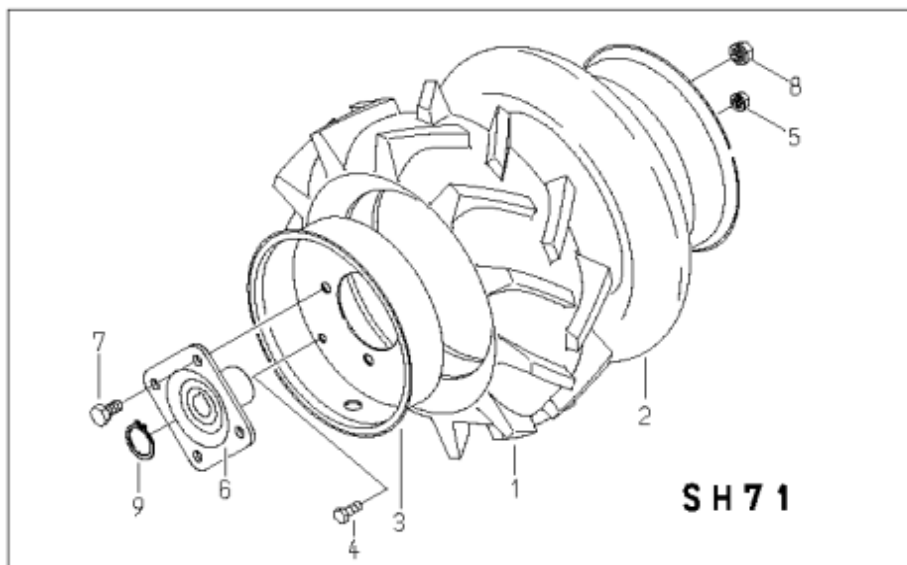
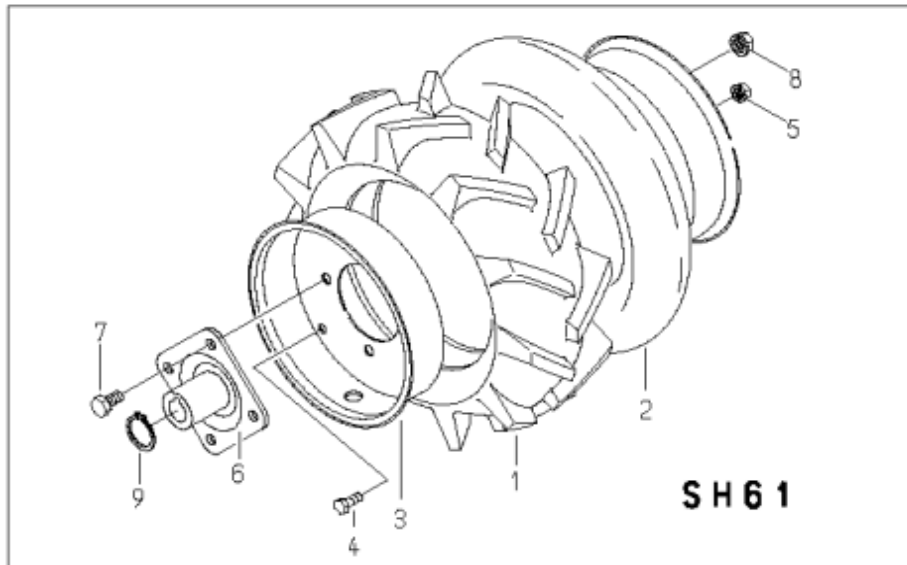


FIG. 8 Rear Wheel (SH61)

| Ref. | Parts No. | Parts Name | Quantity | | | | | Remarks |
|-------|----------------|----------------------------|----------|-------|--------|-----|--------|---------|
| | | | SH61 | SH61H | SH71H | | | |
| | | | KCO | KCO | KCO | OBH | OBH11W | |
| | | | FJ180V | | GXV340 | | | |
| 1 ~ 8 | 0257-30000 | Tire Assy (Left) | 1 | 1 | | | | |
| | 0257-31000 | Tire Assy (Righth) | 1 | 1 | | | | |
| 1 ~ 5 | 80-1711-411-00 | Tire Assy (Left) 400-7 | 1 | 1 | | | | |
| | 80-1711-412-00 | Tire Assy (Right) 400-7 | 1 | 1 | | | | |
| 1 | 80-1711-401-00 | Tire (400-7) | 2 | 2 | | | | |
| 2 | 80-1711-404-00 | Tire Tube (400-7) | 2 | 2 | | | | |
| 3 | 80-1711-407-00 | Wheel Assy (400-7) | 2 | 2 | | | | |
| 4 | 89-1111-080202 | Hexagonal Bolt M8*20 | 8 | 8 | | | | |
| 5 | 89-1543-080002 | Mini Hexagonal Nut (SW) M8 | 8 | 8 | | | | |
| 6 | 80-1565-413-10 | Wheel Boss | 2 | 2 | | | | |
| 7 | 89-1111-100202 | Hexagonal Bolt M10*20 | 8 | 8 | | | | |
| 8 | 89-1541-080002 | Hexagonal Nut (SW) M8 | 8 | 8 | | | | |
| 9 | 89-2511-000220 | Snap Ring (S22) | 2 | 2 | | | | |

FIG. 8 Rear Wheel (SH71)

| Ref. | Parts No. | Parts Name | Quantity | | | | | Remarks |
|-------|----------------|----------------------------|----------|-------|--------|-----|--------|---------|
| | | | SH61 | SH61H | SH71H | | | |
| | | | KCO | KCO | KCO | OBH | OBH11W | |
| | | | FJ180V | | GXV340 | | | |
| 1 ~ 5 | 80-1711-411-00 | Tire Assy (Left) 400-7 | | | 1 | 1 | | |
| | 80-1711-412-00 | Tire Assy (Right) 400-7 | | | 1 | 1 | | |
| 1 | 80-1711-401-00 | Tire (400-7) | | | 2 | 2 | | |
| 2 | 80-1711-404-00 | Tire Tube (400-7) | | | 2 | 2 | | |
| 3 | 80-1711-407-00 | Wheel Assy (400-7) | | | 2 | 2 | | |
| 4 | 89-1111-080202 | Hexagonal Bolt M8*20 | | | 8 | 8 | | |
| 5 | 89-1543-080002 | Mini Hexagonal Nut (SW) M8 | | | 8 | 8 | | |
| 6 | 80-1437-413-10 | Wheel Boss | | | 2 | 2 | | |
| 7 | 89-1111-100202 | Hexagonal Bolt M10*20 | | | 8 | 8 | | |
| 8 | 89-1541-080002 | Hexagonal Nut (SW) M8 | | | 8 | 8 | | |
| 9 | 89-2511-000220 | Snap Ring (S22) | | | 2 | 2 | | |

FIG. 8 Rear Wheel (SH71 Wide Tire Model)

| Ref. | Parts No. | Parts Name | Quantity | | | | | Remarks |
|-------|----------------|------------------------------|----------|-------|--------|-----|--------|---------|
| | | | SH61 | SH61H | SH71H | | | |
| | | | KCO | KCO | KCO | OBH | OBH11W | |
| | | | FJ180V | | GXV340 | | | |
| 1 ~ 8 | 0258-31100 | Tire Assy (Left) | | | | | 1 | |
| | 0258-31200 | Tire Assy (Righth) | | | | | 1 | |
| 1 ~ 5 | 80-1761-411-00 | Tire Assy (Left) 16*7.00-8 | | | | | 1 | |
| | 80-1761-412-00 | Tire Assy (Righth) 16*7.00-8 | | | | | 1 | |
| 1 | 80-1751-401-00 | Tire 16*700*8 | | | | | 2 | |
| 2 | 80-1751-404-00 | Tire Tube 16*700*8 | | | | | 2 | |
| 3 | 80-1751-407-00 | Wheel Assy 16*700*8 | | | | | 2 | |
| 4 | 89-1111-080202 | Hexagonal Bolt M8*20 | | | | | 8 | |
| 5 | 89-1541-080002 | Hexagonal Nut (SW) M8 | | | | | 8 | |
| 6 | 0258-30100 | Wheel Boss | | | | | 2 | |
| 7 | 89-1211-100202 | Mini Hexagonal Bolt M10*20 | | | | | 8 | |
| 8 | 89-1543-100002 | Mini Hexagonal Nut (SW) M10 | | | | | 8 | |
| 9 | 83-1565-315-00 | Washer 8*36*4.5 | | | | | 2 | |
| 10 | 89-1750-080002 | Spring Washer 8 | | | | | 2 | |
| 11 | 83-1984-114-10 | Bolt M8*35 | | | | | 2 | |