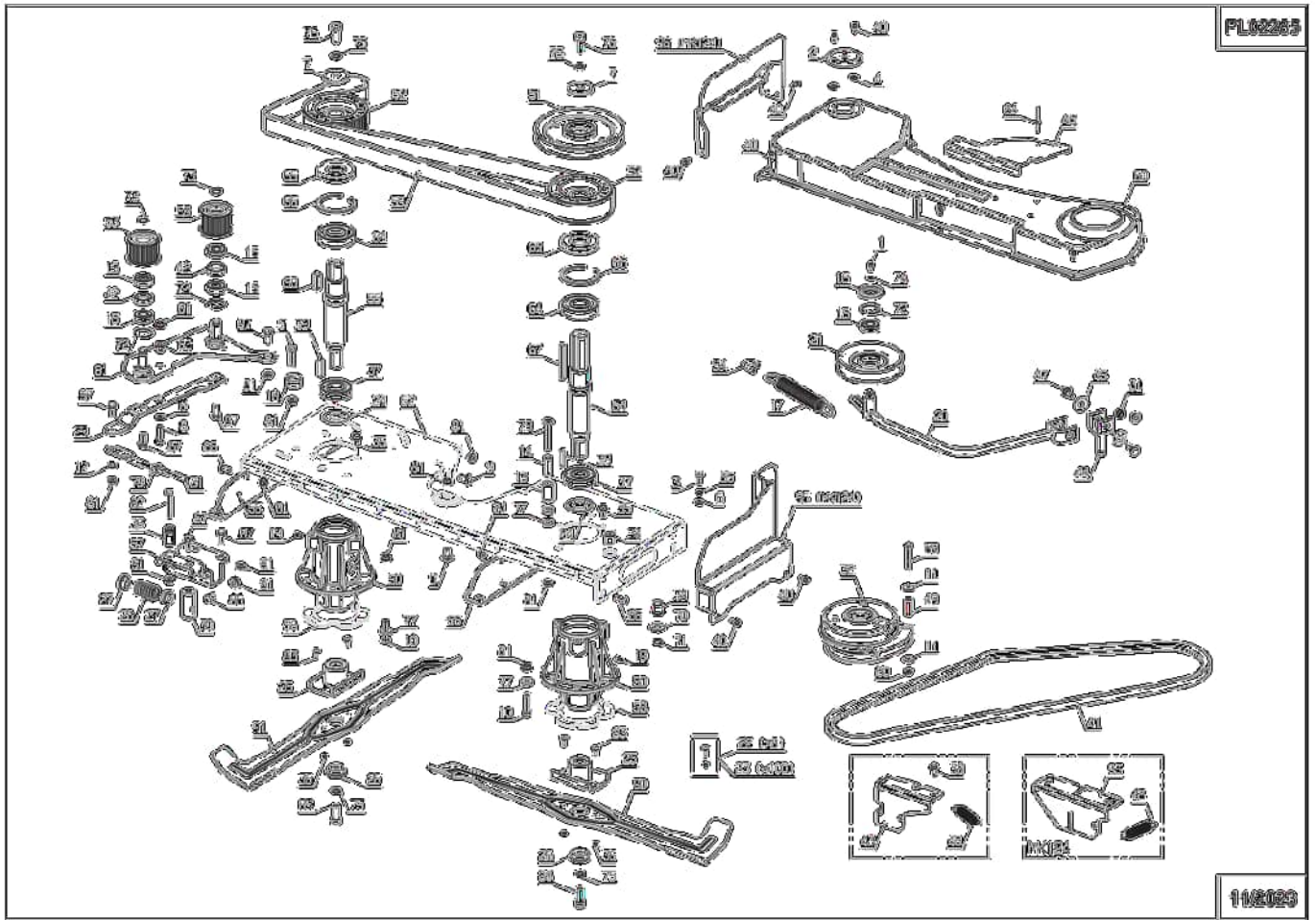


Number	Part Number	Name	Quantity
1	5020	CHC M6X10 SCREW	1,000
2	5472	WHEEL CAP	1,000
3	6169	SCREW HM8X16	1,000
4	6178	CLIP NUT	1,000
5	7038	SCREW,DIN933 H M 8X	1,000
6	7335	WASHER	1,000
7	7341	FLAT WASHER 10,3X49	1,000
8	9061	BOLT 8X30	1,000
9	9071	SCREW M8X20	1,000
10	21114	BOLT 8X40	1,000
11	22029	FLAT WASHER 6,5	1,000
12	24052	KNUCKLE RING	1,000
13	25102	NYLON ROLLER	1,000
14	25107	ROLLSLEEVE	1,000
15	25112	BALL BEARING,6202 S	1,000
16	25117	PLUG T. ARM	1,000
17	55631	SPRING KIT	1,000
18	25131	BELT TIGHTENER WASH	1,000
19	25301	RH STD "HYDRAULIC"	1,000
20	26152	TENSIONING ARM WELD	1,000
21	26156	BELT TIGHTENER PULL	1,000
22	26157	SET OF 8 SHEARBOLTS	1,000
23	26357	100 SHEAR BOLTS	1,000
24	28530	PROTECTION WASHER	1,000
25	30442	BLADE COUP. D.25 MM	1,000
26	30898	BLADE FIX.WASHER	1,000
27	31024	ADJUST SPACER	1,000
28	31025	TENSIONNER SPRING	1,000
29	31064	TENSION.REINFORCING	1,000
30	31205	TENSIONNER BLOCK	1,000
31	31215	TENSIONNER ROD	1,000
32	35576	BLADE CLUTCH TG105	1,000
33	36047	SPRING HANG.STUD	1,000
34	37059	BUSH JFM 141822-20	1,000
35	37078	SCREW M8X16	1,000
36	37561	NUT	1,000
37	37880	BALL BEARING 6206	1,000
38	37997	SCREW HM6-16 8.8	1,000
39	38031	KEY C 8X7X35	1,000
40	53240	SCREW HM6 12,8,8 AF	1,000
41	38375	BELT 1790 MM	1,000

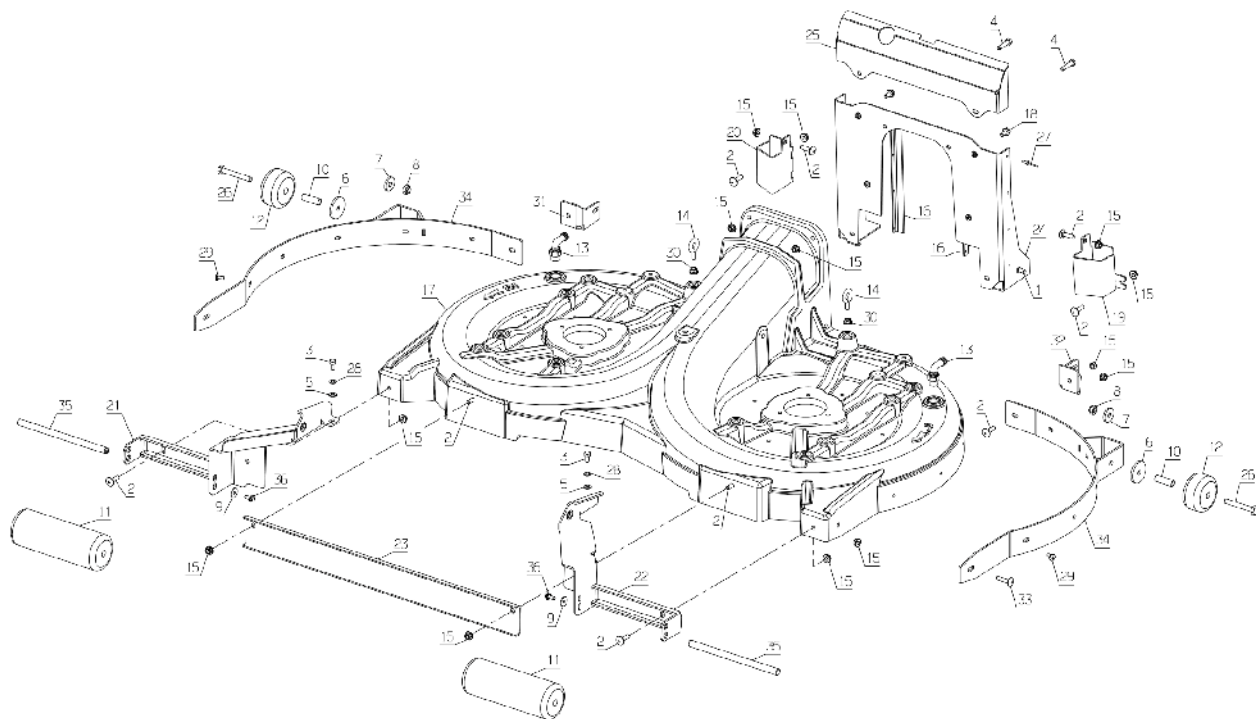
Number	Part Number	Name	Quantity
42	38618	SPACER 8,5MM	1,000
43	38800	CLUTCH STOP	1,000
44	39346	TENSIONNER FORK	1,000
45	39348	BELLEVILLE WASHER	1,000
46	39398	COVER PLATE	1,000
47	39416	KING BOLT	1,000
48	39427	SPRING	1,000
49	42027	BUSH 12X6,5X32,5	1,000
50	51924	BLADE BEARING	1,000
51	51925	PULLEY DP160	1,000
52	51926	PULLEY 8M	1,000
53	51927	TENSION PULLEY	1,000
54	51928	BLADE SHAFT LEFT	1,000
55	51929	BLADE SHAFT RIGHT	1,000
56	51937	PLATE SUPPORT	1,000
57	51938	TANK BRACKET	1,000
58	51941	BLADE BEARING REINF	1,000
59	51943	TOOTHED BELT	1,000
60	51944	TRANSMISSION COVER	1,000
61	51945	TENSIONNER STS	1,000
62	53243	BLADE TRS PLATE	1,000
63	52306	SPACER TENSIONNER	1,000
64	52441	BALL BEARING	1,000
65	52442	SEAL	1,000
66	52443	INTERN CIRCL 72X2,5	1,000
67	52444	KEY C FORM 75	1,000
68	52445	KEY C FORM 35	1,000
69	71023	SCREW HM 6X50	1,000
70	71034	FLAT WASHER NFE 276	1,000
71	71036	DIN 471 14X1 EXT. C	1,000
72	71039	CIRCLIP,DIN 427 35X	1,000
73	71047	CIRCLIP DIN 471 15X	1,000
74	71049	SPRING WASHER,DIN 1	1,000
75	71052	SPRING WASHER,DIN 1	1,000
76	71242	HEX.SCREW HM10X35	1,000
77	71126	FLAT WASHER,DIN 734	1,000
78	71158	HEXAGONAL NUT HM10	1,000
79	71170	BELT M8 X 60	1,000
80	71201	NUT M6	1,000
81	71205	SCREW M8	1,000
82	71223	SCREW M8X50	1,000

Number	Part Number	Name	Quantity
83	71231	SCREW JM5-16	1,000
84	71327	NAIL RIVET 4X21	1,000
85	71343	SPRING WASHER A8	1,000
86	71373	SCREW M8X20	1,000
87	71413	SCREW HM 8-20	1,000
88	71414	SCREW M10X30,10	1,000
89	71415	SCREW M10-30 L.	1,000
90	MZ124L	LEFT BLADE	1,000
91	MZ124R	RIGHT BLADE	1,000
93	55081	BLADE CLUTCH STOP	1,000
94	-	-	1,000
95	55066	LEFT PLATE	1,000
96	55208	RIGHT PROTECTOR	1,000



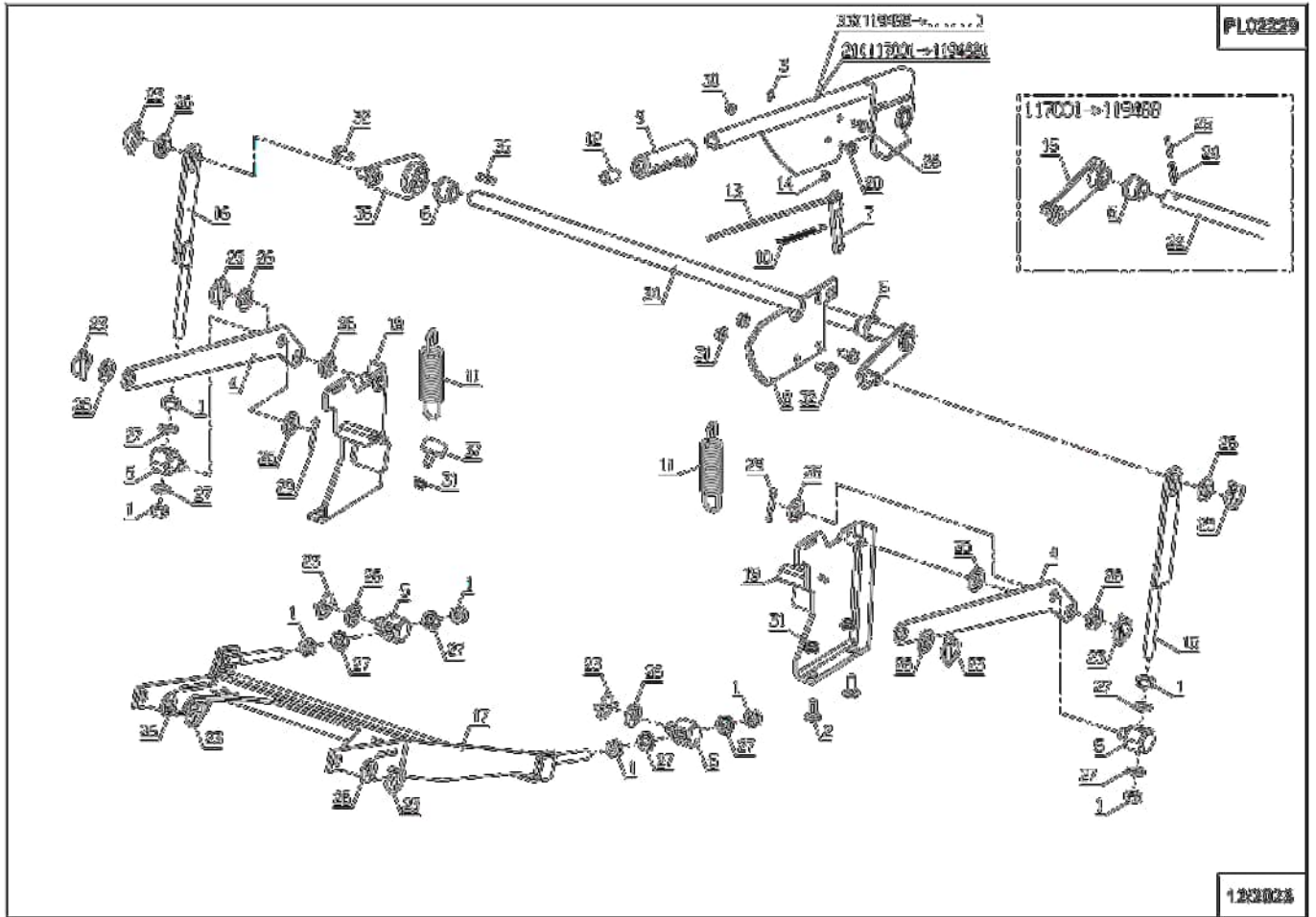
Number	Part Number	Name	Quantity
1	9071	SCREW M8X20	1,000
2	5041	BOLT 8X30	1,000
3	6169	SCREW HM8X16	1,000
4	7038	SCREW,DIN933 H M 8X	1,000
5	7335	WASHER	1,000
6	7341	FLAT WASHER 10,3X49	1,000
7	9009	WASHER	1,000
8	71249	SCREW M10	1,000
9	22029	FLAT WASHER 6,5	1,000
10	25014	REAR WHEEL SPACERS	1,000
11	25015	FRONT ROLLER	1,000
12	25017	REAR ROLLER	1,000
13	53091	CORNER WATER PLUG	1,000
14	25432	LIFTING RING	1,000
15	71205	SCREW M8	1,000
16	35085	SIDE BRUSH	1,000
17	35781	CUTTING DECK	1,000
18	37078	SCREW M8X16	1,000
19	35788	LEFT DECK INSELT	1,000
20	35789	RIGHT DECK INSERT	1,000
21	35888	R.ROLLER BRACKET	1,000
22	35889	L.ROLLER BRACKET	1,000
23	35892	FRONT CROSS BAR	1,000
24	37432	CUT.DEC.OUTPUT PLAT	1,000
25	52510	CUT.DECK NOZZLE	1,000
26	71032	KAWA SCREW H M10X75	1,000
27	71113	NAIL RIVET, DIA. 4X	1,000
28	71343	SPRING WASHER A8	1,000
29	71361	SCREW RL X M6X16	1,000
30	2020	NUT HM8	1,000
31	39882	RIGHT LINK PLATE	1,000
32	39883	LEFT LINK PLATE	1,000
33	71118	SCREW 8X35	1,000
34	39907	CUTTING DECK	1,000
35	53095	AXLE	1,000
36	37997	SCREW HM6-16 8.8	1,000

PL02286



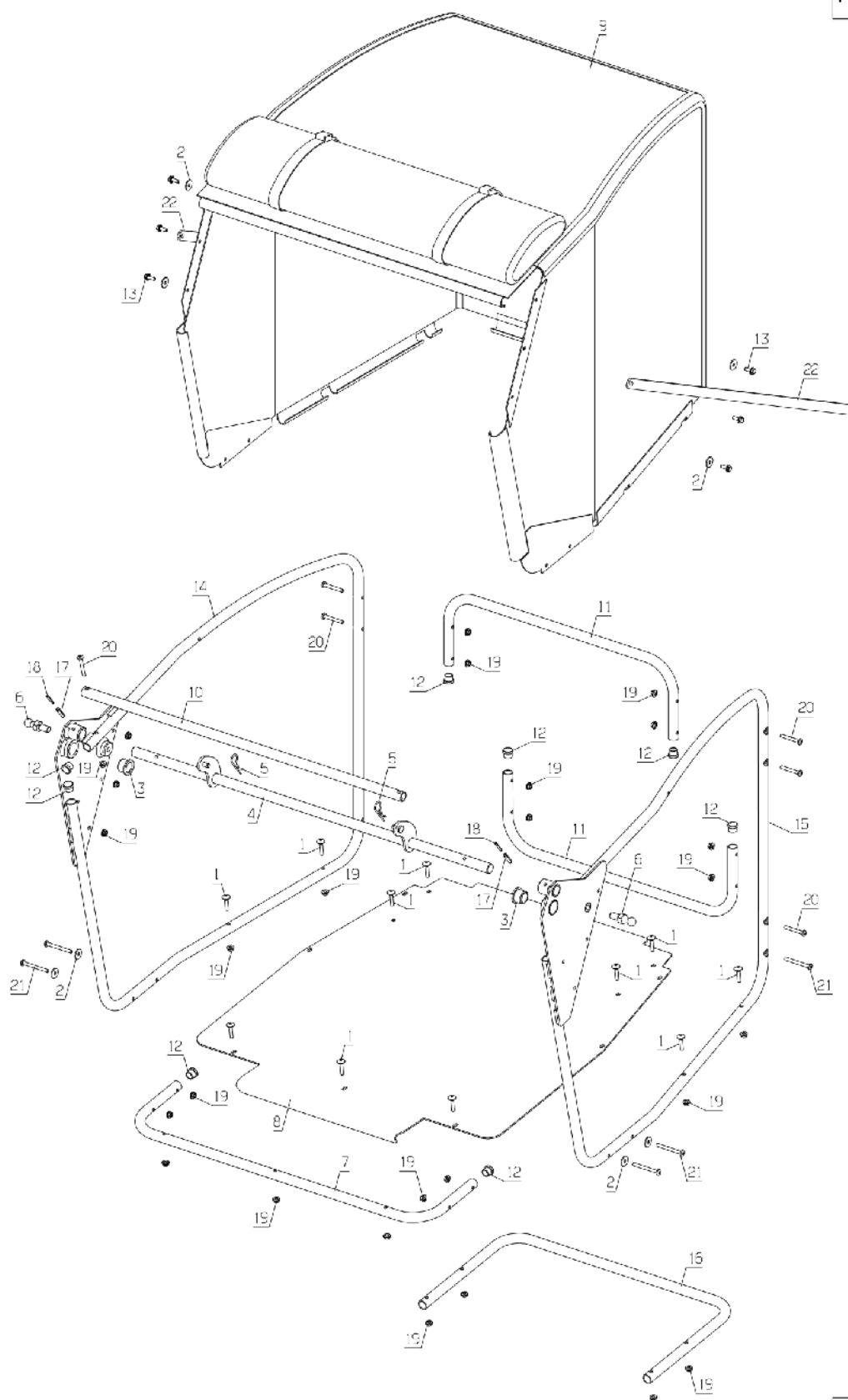
01/2019

Number	Part Number	Name	Quantity
1	1541	HEXAGON NUT,DIN 934	1,000
2	5347	SCREW 8X25	1,000
3	7377	TRUARC COLLAR DIN 7	1,000
4	25403	REAR ROD	1,000
5	25406	ADJUSTMENT BOLT	1,000
6	25416	SLEEVE PA 66 26/20X	1,000
7	25419	RATCHET	1,000
8	25420	PLATE HDC	1,000
9	25421	GRIP	1,000
10	25422	RATCHET PULL-BACK S	1,000
11	25426	SPRING	1,000
12	25429	PARKING BRAKE RELEA	1,000
13	25729	PARKING BRAKE ROD	1,000
14	25887	STEP SPACER	1,000
15	26450	RH LIFTING ROD ASSY	1,000
16	26454	REAR TIE ROD	1,000
17	53822	FRONT TIE ROD	1,000
18	37134	RIGHT CUT.HGT STOP	1,000
19	37135	LEFT CUT.HGT STOP	1,000
20	37997	SCREW HM6-16 8.8	1,000
21	50383	CUT.HEIGHT LEVER	1,000
22	51932	SHAFT	1,000
23	71005	SAFETY PIN,DIN 1102	1,000
24	71013	SPIRAL PIN,DIN 1481	1,000
25	71014	SPIRAL PIN,DIN 1481	1,000
26	71034	FLAT WASHER NFE 276	1,000
27	71035	FLAT WASHER NFE 276	1,000
28	71041	A TYPE SHAFT,DIN 14	1,000
29	71101	COTTER PIN,DIN 94 S	1,000
30	71201	NUT M6	1,000
31	71205	SCREW M8	1,000
32	71413	SCREW HM 8-20	1,000
33	53975	LEVER	1,000
34	53317	ROD	1,000
35	37768	RIGHT LIFTING ROD	1,000
36	71344	KEY 6X6X25 C FORM	1,000
37	38989	ELAST. BOLT	1,000



Number	Part Number	Name	Quantity
1	1506	SCREW TRCC 6X30	1,000
2	22029	FLAT WASHER 6,5	1,000
3	25416	SLEEVE PA 66 26/20X	1,000
4	26831	SHAFT	1,000
5	27066	PIN	1,000
6	29929	MALE SOCKET DIA 12	1,000
7	32050	FRONT BOW	1,000
8	32056	GRASSBOX BOTTOM	1,000
9	32058	GRASSBAG	1,000
10	32060	FRONT CROSS BAR	1,000
11	32061	REAR BOW	1,000
12	32071	TUBE CAP	1,000
13	37997	SCREW HM6-16 8.8	1,000
14	50865	SIDE BOW RIGHT CPL	1,000
15	51195	SIDE BOW LEFT CPLT	1,000
16	52165	REAR BOX BOW	1,000
17	71013	SPIRAL PIN,DIN 1481	1,000
18	71014	SPIRAL PIN,DIN 1481	1,000
19	71201	NUT M6	1,000
20	71337	SCREW M6X45 4.8	1,000
21	71358	SCREW CB HM 6X50	1,000
22	52590	REINFORCEMENT PLATE	1,000

PL02212

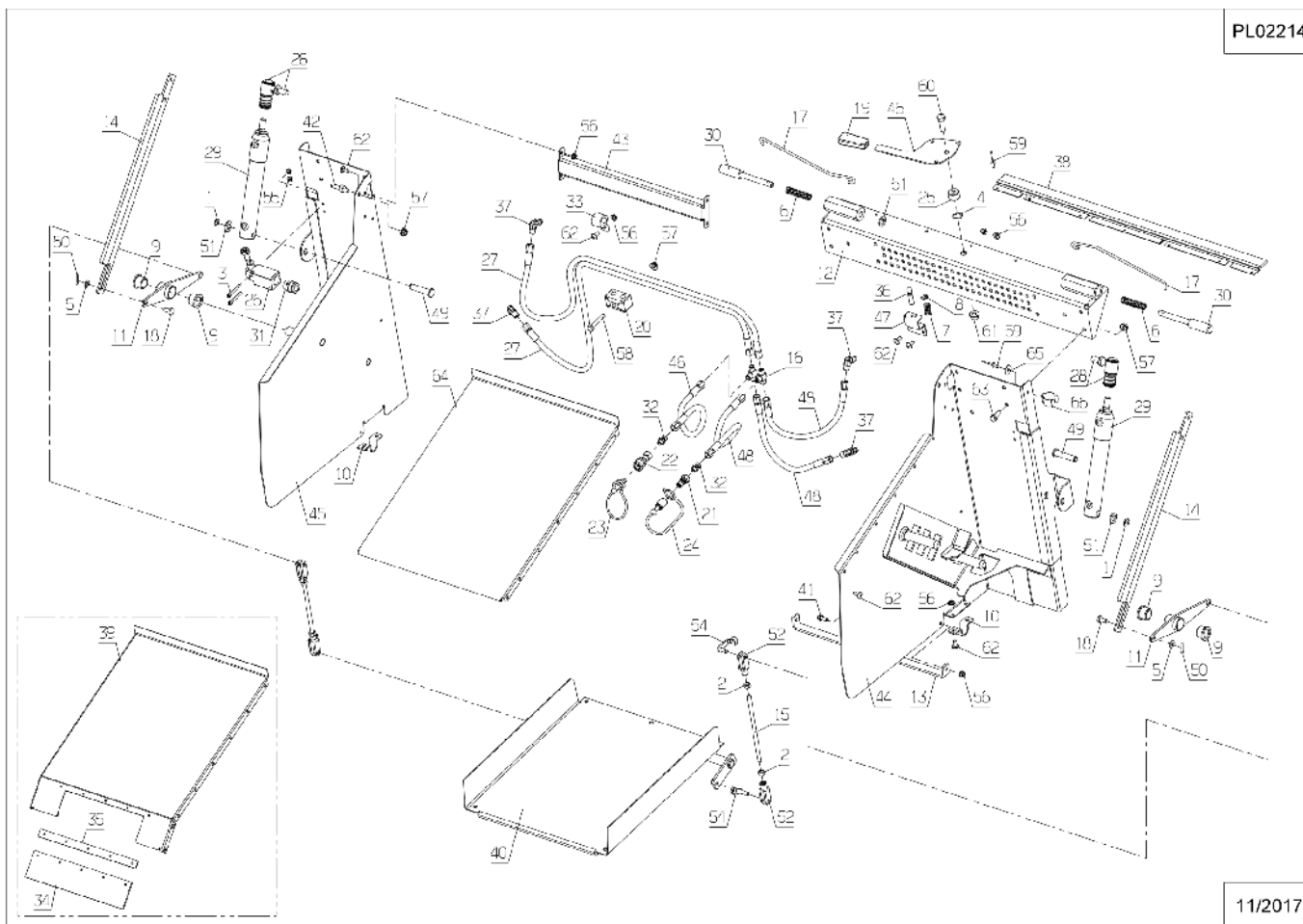


02/2017

Number	Part Number	Name	Quantity
1	1559	RING TRUARC 10	1,000
2	2020	NUT HM8	1,000
3	5399	BOLT M5X40	1,000
4	5411	WASHER	1,000
5	7335	WASHER	1,000
6	22457	CLUTCH SPRING	1,000
7	24647	SPRING	1,000
8	24684	TRUARC RING	1,000
9	25416	SLEEVE PA 66 26/20X	1,000
10	25711	STRAP	1,000
11	26824	WELDED SHEATH ROD	1,000
12	26836	WELDED BRACKET GR.	1,000
13	27006	STABILIZER BAR	1,000
14	27013	SHEATH CONTROL LINK	1,000
15	27015	SHEATH LINKAGE	1,000
16	27022	T CONNECTION	1,000
17	27030	ROD	1,000
18	27050	AXLE	1,000
19	27071	HANDLE DECORATION	1,000
20	27111	-> 27111X2 + 52797	1,000
21	27116	MALE COUPLER 1/8	1,000
22	27122	FEMALE COUPLER 1/8	1,000
23	27125	COUPLER CAP	1,000
24	27126	COUPLER HOOD	1,000
25	28690	SPACER	1,000
26	29257	SAFETY SWITCH	1,000
27	29328	T HOSE FLAP/LEFT JA	1,000
28	29378	ANGLE KNUCKLE	1,000
29	29400	G.BOX EMPTYING JACK	1,000
30	29426	GRASSBOX SHAFT	1,000
31	29789	CONTACTOR GROMMET	1,000
32	29962	UNION 6L 1/8	1,000
33	30165	CLAMP DIA.20	1,000
34	30167	RUBBER FLAPPER	1,000
35	30168	FLAPPER PLATE	1,000
36	31291	BLOCKING ARM AXLE	1,000
37	32001	ADAPTER G1/8 6L90°	1,000
38	32069	BRUSH	1,000
39	36089	COVER GREEN	1,000
40	36095	BOTTOM	1,000
41	37997	SCREW HM6-16 8.8	1,000

Number	Part Number	Name	Quantity
42	50050	AXLE	1,000
43	50684	PLATE GRIP	1,000
44	53233	LEFT RIGHT CAISSON	1,000
45	53232	RIGHT SIDE CAISSON	1,000
46	51122	LOCK LEVER BOX	1,000
47	51123	BRACKET PLATE	1,000
48	51124	HOSE 6L LG 340	1,000
49	52164	AXLE	1,000
50	71018	V3,2 SPLIT PIN	1,000
51	71035	FLAT WASHER NFE 276	1,000
52	71077	YOKE DIN 71751 8X32	1,000
53	71112	DIA.4X18 STAR RIVET	1,000
54	71169	STUD 8X32	1,000
55	71200	SCREW M5	1,000
56	71201	NUT M6	1,000
57	71205	SCREW M8	1,000
58	71223	SCREW M8X50	1,000
59	71241	NAIL RIVET 4,8X10,5	1,000
60	71242	HEX.SCREW HM10X35	1,000
61	71249	SCREW M10	1,000
62	71361	SCREW RL X M6X16	1,000
63	71413	SCREW HM 8-20	1,000
64	52509	COVER	1,000
65	22029	FLAT WASHER 6,5	1,000
66	35064	KLAMP 26-30	1,000

PL02214

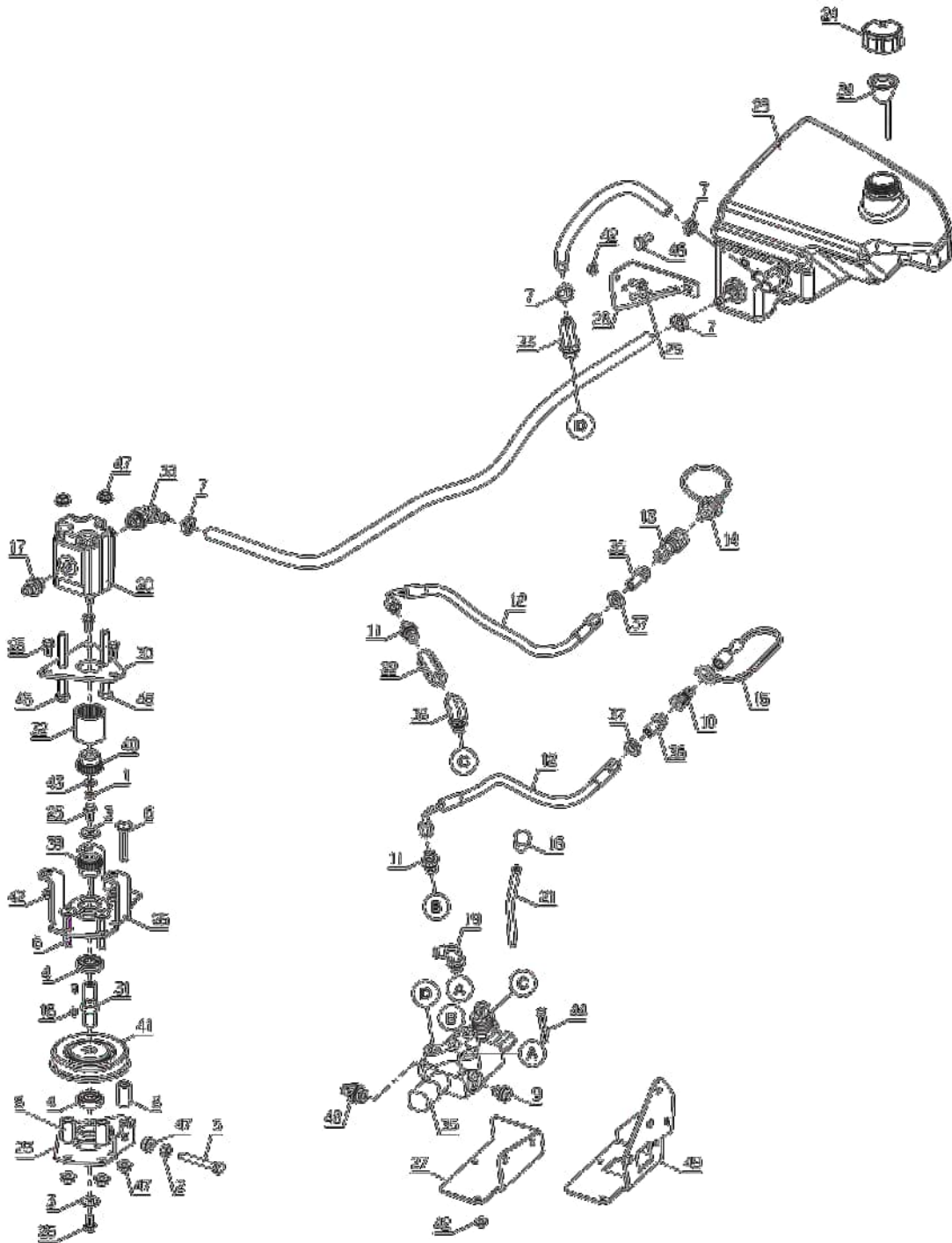


11/2017

Number	Part Number	Name	Quantity
1	1557	NUT HM6	1,000
2	2020	NUT HM8	1,000
3	5604	WASHER	1,000
4	9022	BALL BEARING 6002	1,000
5	20513	SCREW,DIN 933 H M 8	1,000
6	21513	BOLT M8X50	1,000
7	25694	CLAMPING RING 16	1,000
8	29515	CONSOLE SPACER	1,000
9	27098	DISTRIB.PLUG 1/4	1,000
10	27116	MALE COUPLER 1/8	1,000
11	27120	UNION 1/4"-12X150	1,000
12	27121	HOSE	1,000
13	27122	FEMALE COUPLER 1/8	1,000
14	27125	COUPLER CAP	1,000
15	27126	COUPLER HOOD	1,000
16	27131	DISTRIB. LEVER HAND	1,000
17	29723	ADAPTER AJM	1,000
18	35043	KEY A5X5X10	1,000
19	29464	ADAPTER CJM	1,000
20	53833	PUMP	1,000
21	30738	DIST. LEVER	1,000
22	31633	FLOW LIMITER	1,000
23	54667	PUMP REINF.PLATE	1,000
24	36382	PLUG 175	1,000
25	37997	SCREW HM6-16 8.8	1,000
26	54671	PUMP PLATE	1,000
27	50236	DISTRIBUTOR BRACKET	1,000
28	50356	OIL TANK FIXING	1,000
29	50891	OIL TANK	1,000
30	54672	PUMP BRACKET	1,000
31	54673	PUMP PULLEY SHAFT	1,000
32	54674	SLEEVE	1,000
33	51167	ADAPTER 90° GMR 3/8	1,000
34	51374	OIL LEVEL FILTER	1,000
35	52118	-> 54488 + 27101	1,000
36	52222	UNION	1,000
37	52223	NUT HM12 X 1.5	1,000
38	52272	ADAPTER 90° GMR 1/4	1,000
39	54675	HUB	1,000
40	54676	HUB	1,000
41	54677	PULLEY	1,000

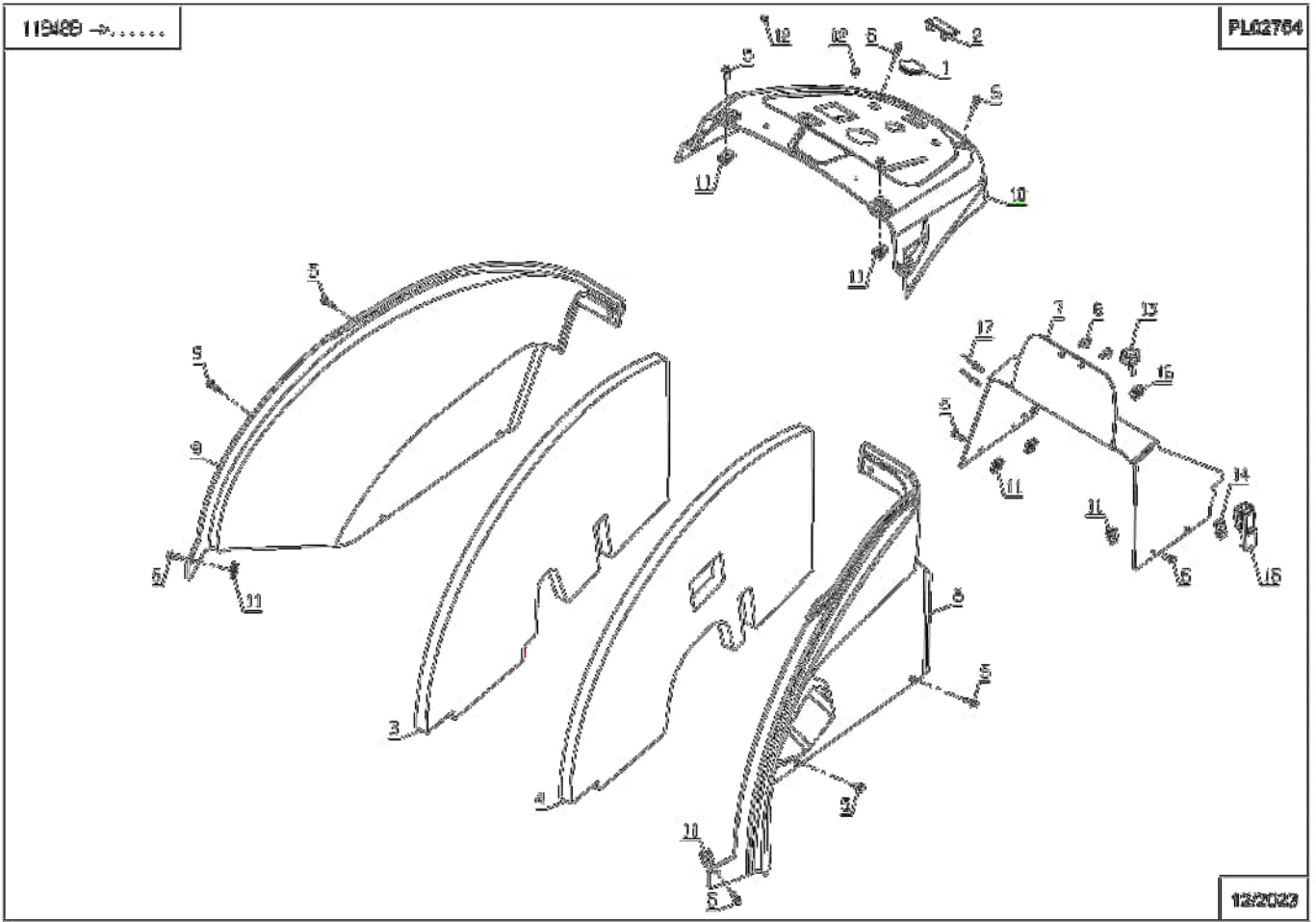
Number	Part Number	Name	Quantity
42	71201	NUT M6	1,000
43	71075	WASHER	1,000
44	71239	HEX.SCREW HM6X45	1,000
45	71199	SCREW HM8X90	1,000
46	71413	SCREW HM 8-20	1,000
47	71205	SCREW M8	1,000
48	29456	ADAPTER AJM	1,000
49	53749	BRACKET	1,000

PL02862

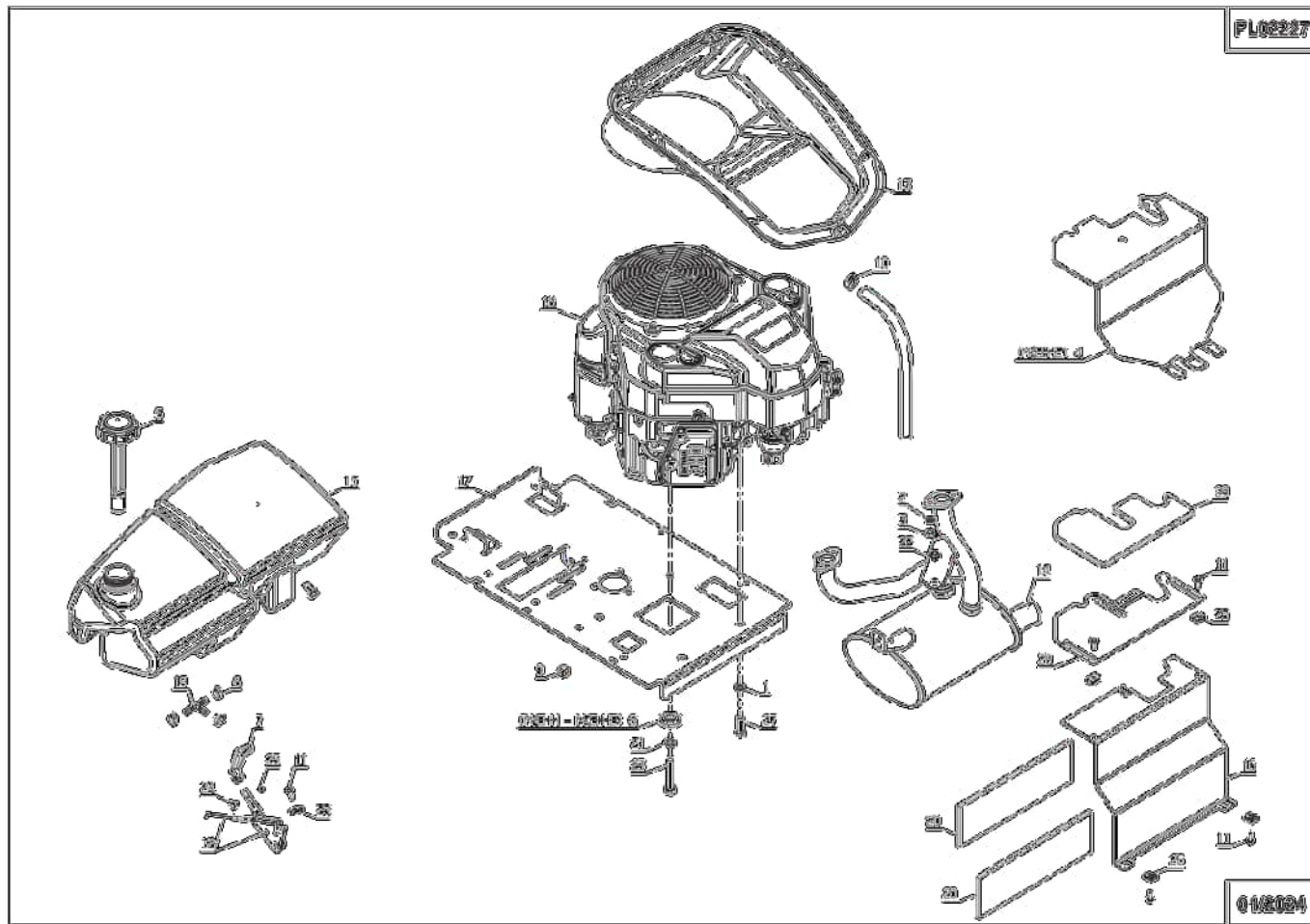


12/2023

Number	Part Number	Name	Quantity
1	29667	CONSOLE CAP	1,000
2	52505	FRAME CONVER	1,000
3	52140	SOUND ISOLATION R.	1,000
4	52141	SOUNDISOLATION LEFT	1,000
5	37996	SCREW HM5-16 8.8	1,000
6	38408	SCREW HM6-16 8,8	1,000
7	54		1,000
8	52459	LEFT SIDE COVER L.	1,000
9	52460	LEFT SIDE COVER R.	1,000
10	52461	DASHBOARD MKEHH	1,000
11	71403	NUT	1,000
12	52102	BLOCK	1,000
13	52677	OPERATING BUTTON	1,000
14	54200	HOOK 91-600-07	1,000
15	54205	CLAMP 91	1,000
16	38540	CLIP NUT M6	1,000
17	71113	NAIL RIVET, DIA. 4X	1,000



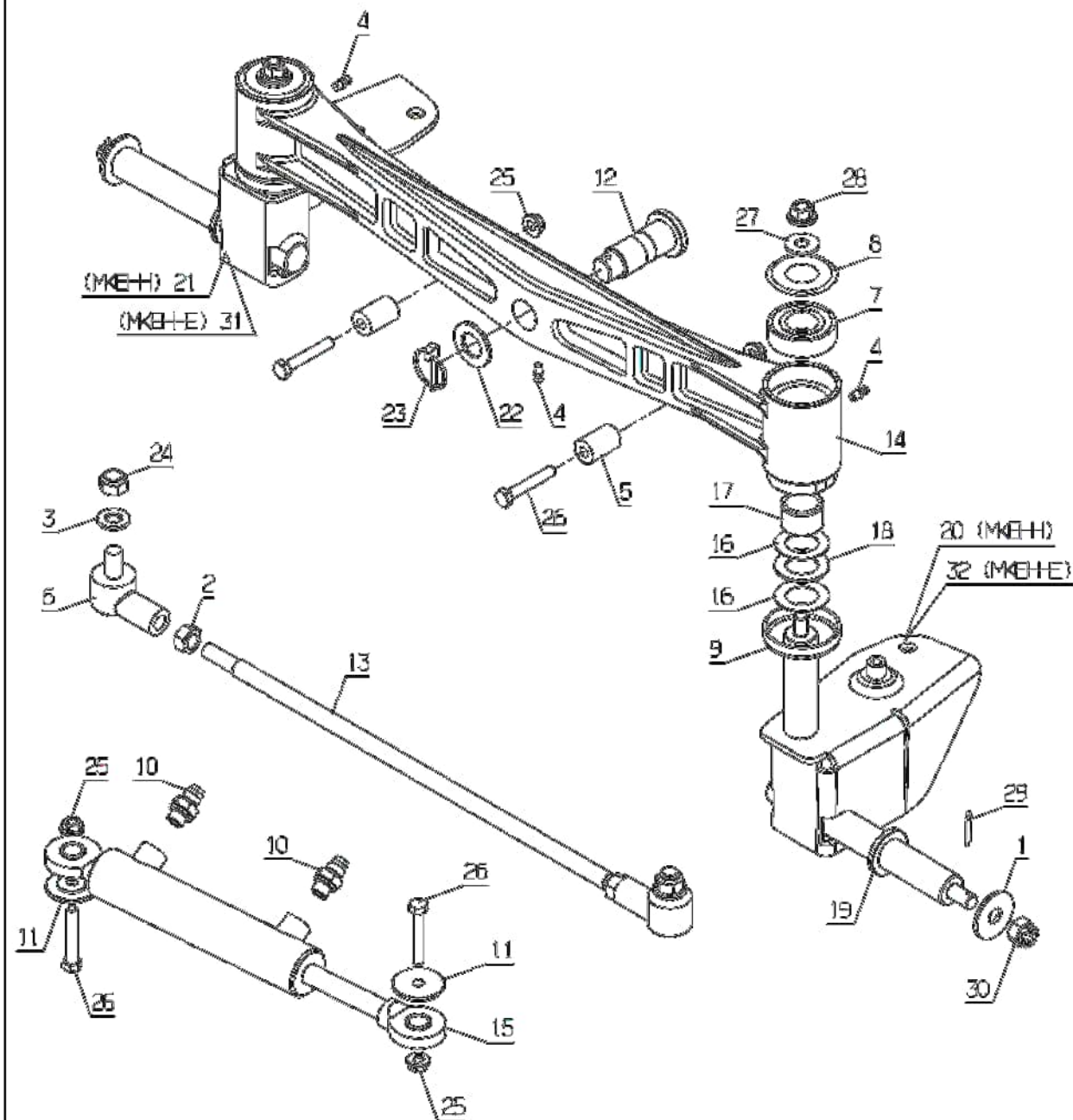
Number	Part Number	Name	Quantity
1	37665	WASHER	1,000
2	15848	SPRING WASHER	1,000
3	15849	HEX NUT	1,000
4	53830	HOT PROTECTION	1,000
5	25261	PETROL GAUGE	1,000
6	25288	ENG. WASHER	1,000
7	28177	GAS GRIP	1,000
8	28323	HOSE HAND CLIP	1,000
9	32219	KLAMP 12X2	1,000
10	37002	COLLAR 10-18	1,000
11	37996	SCREW HM5-16 8.8	1,000
12	50021	THROTTLE KIT	1,000
13	50389	ASPIRATION PASSAGE	1,000
14	53197	MUFFLER	1,000
15	50621	FUEL TANK	1,000
16	50687	HOT PROTECTION	1,000
17	53829	ENGINE BRACKET	1,000
18	50864	ENGINE KAWA FS 541	1,000
19	51165	FUEL HOSE TE	1,000
20	52531	ISOLATOR	1,000
21	71159	WASHER 7/16"	1,000
22	71205	SCREW M8	1,000
23	71208	SCREW H7/16"20	1,000
24	71224	GAS GRIP SCREW 8-32	1,000
25	71225	GAS GRIP NUT 8-32"	1,000
26	71403	NUT	1,000
27	71454	SCRW.HUNC 3/8"1"1/4	1,000
28	52529	HEAT PLATE	1,000
29	52530	INSULATION ENGINE	1,000



Number	Part Number	Name	Quantity
1	1517	WASHER 13X40X3	1,000
2	1541	HEXAGON NUT,DIN 934	1,000
3	1560	FLAT WASHER 13X25X3	1,000
4	25301	RH STD "HYDRAULIC"	1,000
5	25304	SPACER	1,000
6	25345	BALL JOIN M12	1,000
7	25475	SEALED BALL BEARING	1,000
8	28530	PROTECTION WASHER	1,000
9	29158	LOWER CAP	1,000
10	29723	ADAPTER AJM	1,000
11	30263	WASHER	1,000
12	31104	AXLE SHAFT	1,000
13	31109	STUB AXLE ROD	1,000
14	31115	FRONT AXLE	1,000
15	31234	STEERING CYLINDER	1,000
16	35108	WASHER AS1105	1,000
17	35109	NAILBEARING HMK2520	1,000
18	35110	BEARING STOP	1,000
19	35216	WASHER 36X25,2X5	1,000
20	53374	-> 53817	1,000
21	53375	-> 53818	1,000
22	71002	FLAT WASHER,DIN 125	1,000
23	71005	SAFETY PIN,DIN 1102	1,000
24	71157	NUT AUTOFR.HM12	1,000
25	71205	SCREW M8	1,000
26	71223	SCREW M8X50	1,000
27	71238	WASHER A10,2	1,000
28	71249	SCREW M10	1,000
29	71294	SPLIT PIN 3,2 X 22	1,000
30	71295	NUT HK M12X1,25	1,000
31	53818	RIGHT STUB AXLE	1,000
32	53817	LEFT STUB AXLE	1,000

119144 →

PL02696

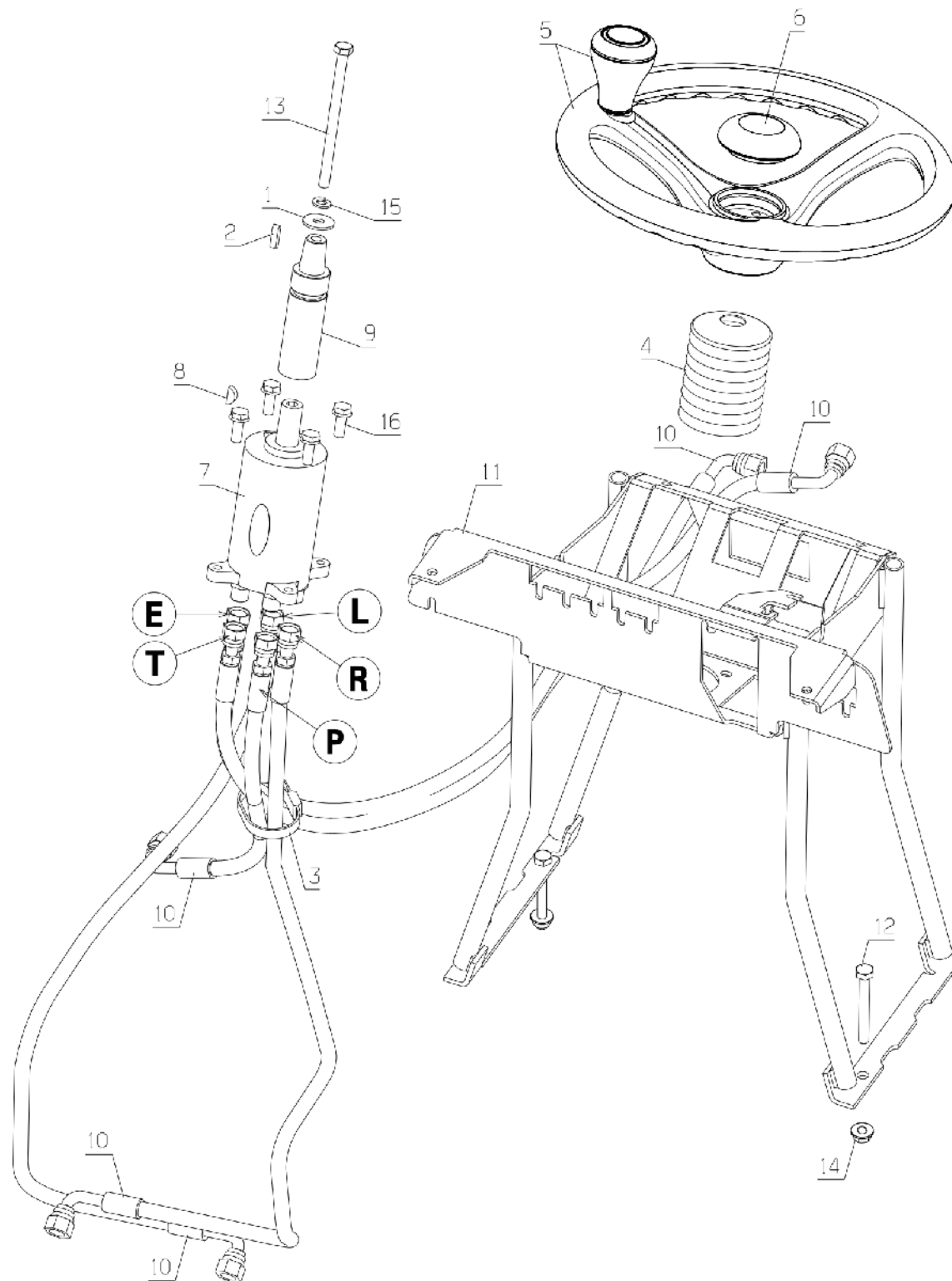


01/2021

Number	Part Number	Name	Quantity
1	7035	FLAT WASHER	1,000
2	20606	KEY 5X5X20	1,000
3	21119	COLLAR 260 MM	1,000
4	25329	PCV BELLOWS	1,000
5	29900	STEERING WHEEL	1,000
6	29978	STEERING WHEEL CAP	1,000
7	31233	ORBITROL	1,000
8	35159	KEU 5X6.5	1,000
9	37675	STEERING WHEEL SEAT	1,000
10	53312	HOSE	1,000
11	53360	DASHBOARD BRACKET	1,000
12	71068	HEXAGON SCREW,DIN 9	1,000
13	71171	SCREW	1,000
14	71205	SCREW M8	1,000
15	71343	SPRING WASHER A8	1,000
16	71413	SCREW HM 8-20	1,000

119144 →

PL02594

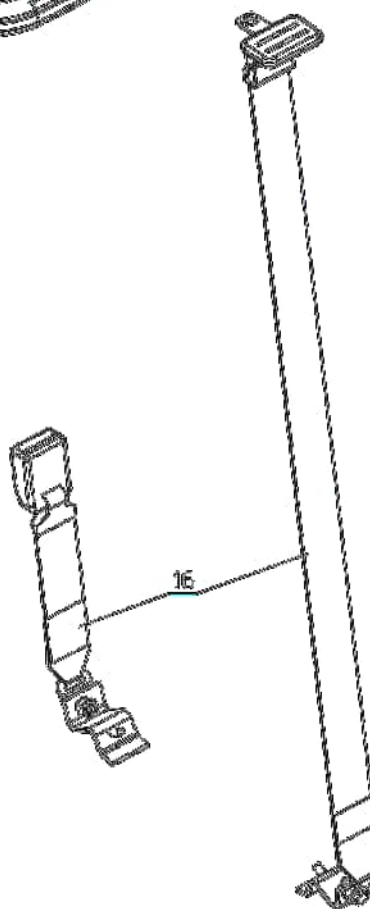
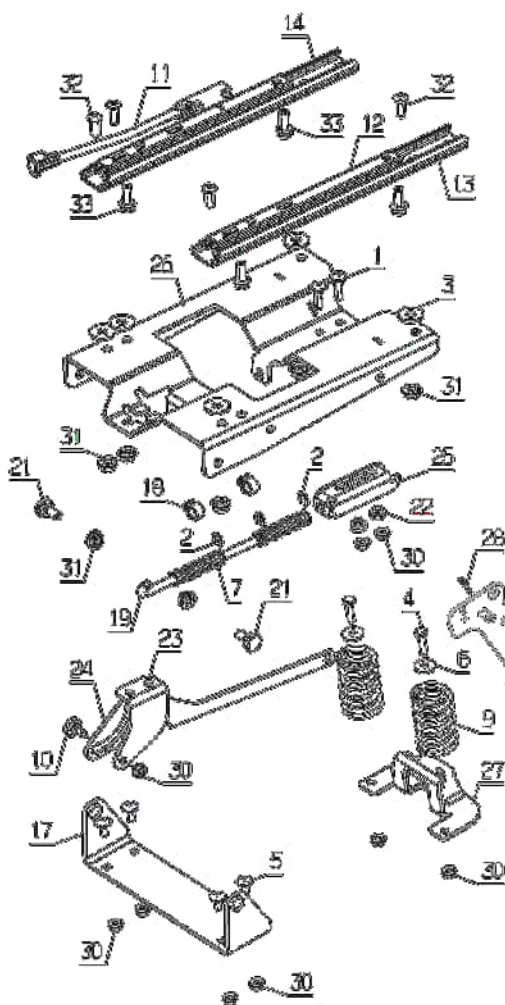
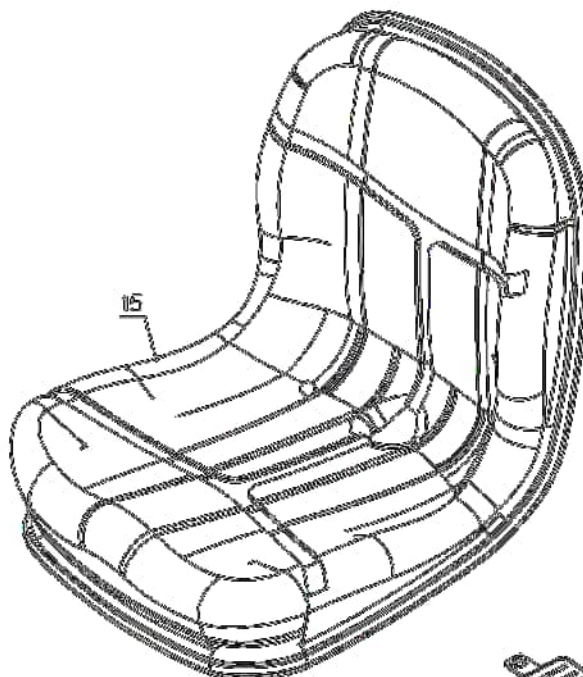


04/2019

Number	Part Number	Name	Quantity
1	5494	SCREW J M6-25	1,000
2	5602	ANNEAU TRUARC	1,000
3	7035	FLAT WASHER	1,000
4	20693	HEX.SCREW HM6X25	1,000
5	21608	SCREW 6X16 DIN	1,000
6	22029	FLAT WASHER 6,5	1,000
7	24609	SPRING	1,000
9	25958	SEAT SPRING	1,000
10	28137	CATCH BOLT SP.SCREW	1,000
11	53396	UPPER SEAT GUIDE	1,000
12	53397	UPPER SEAT GUIDE	1,000
13	53398	LOWER SEAT GUIDE	1,000
14	53399	LOWER SEAT GUIDE	1,000
15	53395	SEAT COBO GT75	1,000
16	53888	SAFETY BELT	1,000
17	32104	SEAT HINGE YOKE	1,000
19	35712	STALK	1,000
21	39416	KING BOLT	1,000
22	43054	WASHER	1,000
23	51198	ANGLE	1,000
24	51551	SEAT ROD	1,000
25	52331	LATCH	1,000
26	5318	HEX.SCREW M6X16	1,000
28	71018	V3,2 SPLIT PIN	1,000
30	71201	NUT M6	1,000
31	71205	SCREW M8	1,000
32	71373	SCREW M8X20	1,000
33	71413	SCREW HM 8-20	1,000

119924 →

PL02749

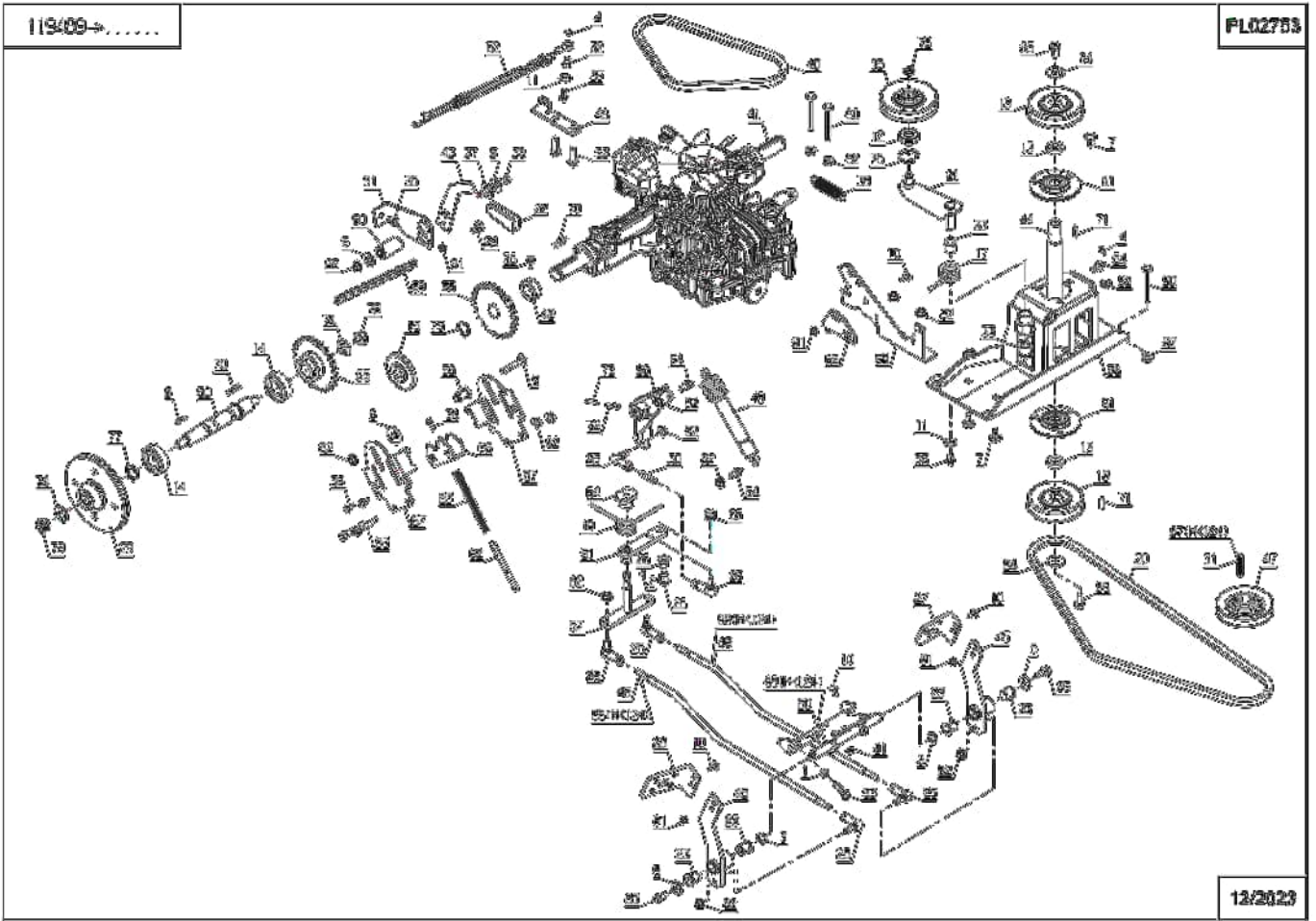


11/2023

Number	Part Number	Name	Quantity
1	2020	NUT HM8	1,000
2	3017	KEY 4X5	1,000
3	5411	WASHER	1,000
4	5602	ANNEAU TRUARC	1,000
5	7035	FLAT WASHER	1,000
6	9009	WASHER	1,000
7	9071	SCREW M8X20	1,000
8	20602	KEY 5X5X25	1,000
9	21513	BOLT M8X50	1,000
10	21608	SCREW 6X16 DIN	1,000
11	22029	FLAT WASHER 6,5	1,000
12	25112	BALL BEARING,6202 S	1,000
13	25348	WASHER	1,000
14	25475	SEALED BALL BEARING	1,000
15	25504	BEARING-MOUNTED SPR	1,000
16	25509	TENSIONING PULLEY	1,000
17	25511	UPPER BELT TIGHTENE	1,000
18	25526	CLUTCH OUTPUT PULLE	1,000
19	25636	SPRING DEAD POINT	1,000
20	25680	V. BELT	1,000
21	26511	SPA UPPER BELT TIGH	1,000
22	27071	HANDLE DECORATION	1,000
23	28070	SLEEVE 15/17/20	1,000
24	28137	CATCH BOLT SP.SCREW	1,000
25	28234	KNUCKLE M8	1,000
26	28555	SLEEVE 12/14/15	1,000
27	31688	FORWARD PEDAL	1,000
28	31689	REVERSE PEDAL	1,000
29	32078	REAR WHEEL BOSS	1,000
30	32321	PEDALE STALK	1,000
31	35209	KEY 6.35X6.35X45	1,000
32	36519	CABLE HANG	1,000
33	37059	BUSH JFM 141822-20	1,000
34	37996	SCREW HM5-16 8.8	1,000
35	37997	SCREW HM6-16 8.8	1,000
36	38408	SCREW HM6-16 8,8	1,000
37	39348	BELLEVILLE WASHER	1,000
38	71068	HEXAGON SCREW,DIN 9	1,000
39	39427	SPRING	1,000
40	39810	BELT	1,000
41	50215	GEARBOX K66 MKEHH	1,000

Number	Part Number	Name	Quantity
42	50717	RING	1,000
43	53751	DIFF LEVER ROPS	1,000
44	50902	SHAFT	1,000
45	51107	PEDAL CPLT	1,000
46	51110	PEDAL ROD	1,000
47	51111	PULLEY	1,000
48	51112	BRACKET	1,000
49	51277	DAMPER	1,000
50	51298	WHEEL SHAFT	1,000
51	51304	LEVER	1,000
52	51538	CABLE	1,000
53	51680	SCREW H M8-30 8.8	1,000
54	51888	AXLE	1,000
55	52121	GEAR 25 TA MKEHH	1,000
56	52127	AXLE	1,000
57	52397	CORNER PEDAL CPLT	1,000
58	52690	PULLEY BRACKET	1,000
59	52697	BRACKET PLATE	1,000
60	52698	FOOT PEDAL BRACKET	1,000
61	52749	BALL BEARING STEEL	1,000
62	52766	AXLE	1,000
63	52767	SPRING	1,000
64	52867	AXLE	1,000
65	52868	PLATE	1,000
66	52869	AXLE	1,000
67	52915	PLATE	1,000
68	52916	PLATE	1,000
69	53231	CHAIN TA	1,000
70	71007	B-SHAPE KEY 6.35X6.	1,000
71	71008	B-SHAPE KEY,DIN 688	1,000
72	71013	SPIRAL PIN,DIN 1481	1,000
73	71014	SPIRAL PIN,DIN 1481	1,000
74	71034	FLAT WASHER NFE 276	1,000
75	71038	CIRCLIP,DIN 471 25X	1,000
76	71039	CIRCLIP,DIN 427 35X	1,000
77	71045	EXT.CIRCLIP,DIN 471	1,000
78	71047	CIRCLIP DIN 471 15X	1,000
79	71053	HEXAG.NUT,DIN 985-8	1,000
81	71201	NUT M6	1,000
82	71205	SCREW M8	1,000
83	71223	SCREW M8X50	1,000

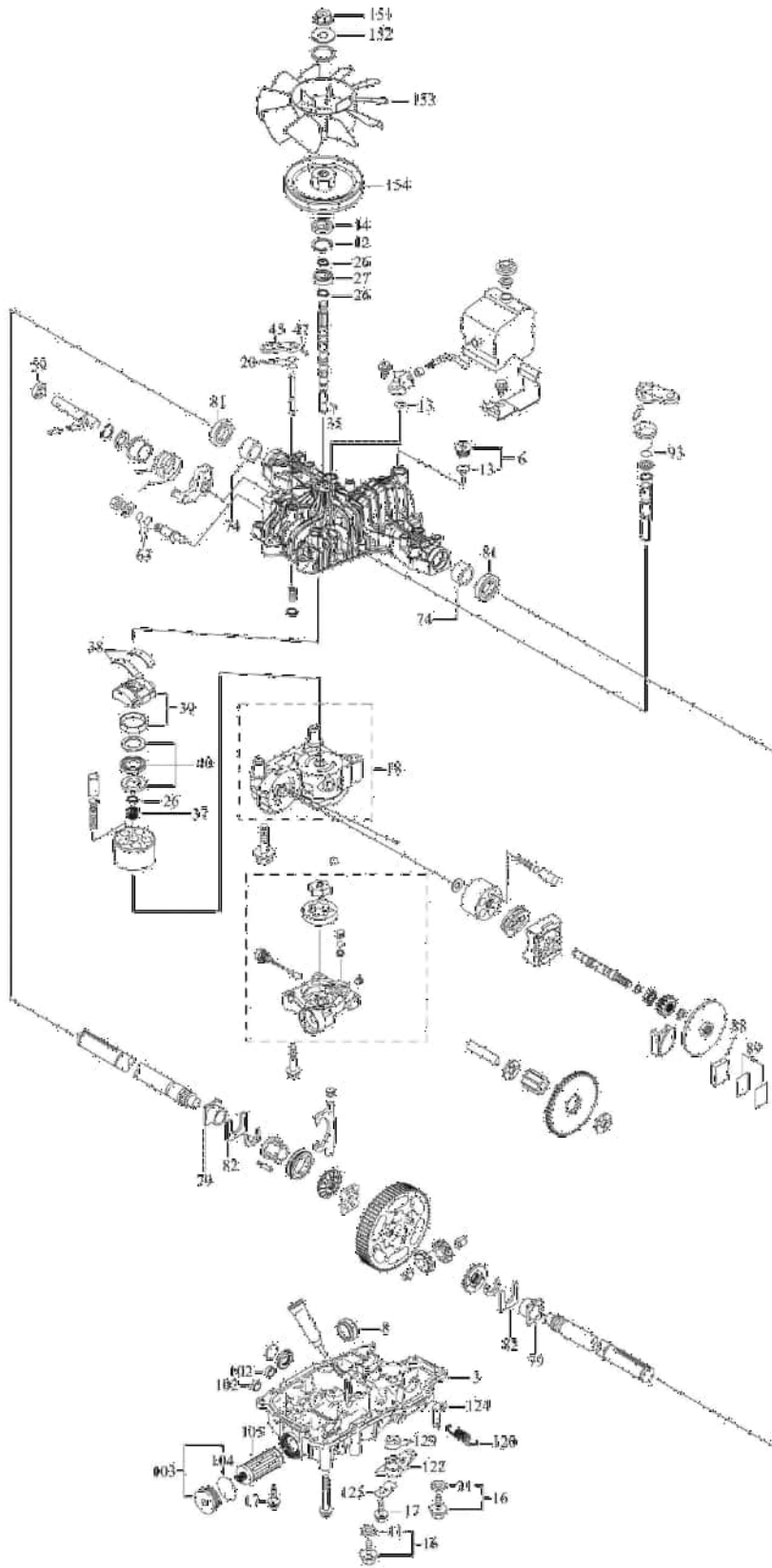
Number	Part Number	Name	Quantity
84	71311	WASHER 8X30X2,5	1,000
85	71413	SCREW HM 8-20	1,000
86	52694	ROD ASSY TA K66 CPL	1,000
87	71156	KEY .6,35X6,35X25	1,000
88	550		1,000
89	55065	PEDAL BRACKET	1,000
90	53752	DIFF LOCK BUSH	1,000
91	54715	LEVER REINFORC.PLAT	1,000



Number	Part Number	Name	Quantity
3	28873	LOWER CRANKCASE K66	1,000
6	34400	OIL PLUG K66	1,000
8	34401	FILTER	1,000
11	34402	OIL CHANGE WASHER	1,000
12	71039	CIRCLIP,DIN 427 35X	1,000
13	28196	OIL CAP GASKET	1,000
14	28235	GASKET PUMP SHAFT	1,000
16	34403	OIL CHANGE SCREW	1,000
17	34623	SCREW 8X30	1,000
18	34404	CENTRAL CRANKCASE	1,000
20	28625	GASKET	1,000
26	34934	CLIPS PUMP K66	1,000
27	40465	BEARING 6202	1,000
35	34407	PIN 3X13,8	1,000
37	34935	SPRING	1,000
38	34931	PLATE K66	1,000
39	34932	PLAT OSC K66	1,000
40	34933	BEARING PUMP K66	1,000
45	28545	BY-PASS LEVER	1,000
47	34408	PIN 3.0AX20	1,000
59	34410	GASKET 162606	1,000
63	28623	O-RING	1,000
74	34412	OUTPUT BUSH	1,000
79	34416	BUSH K66	1,000
81	34417	GASKET 25.4X42X8	1,000
82	34418	RING K66	1,000
88	34419	BRAKE SHOE K66	1,000
89	34420	BRAKE SHIM	1,000
93	28634	O-RING	1,000
102	34422	PLUG 20	1,000
103	34423	FILTER PLUG	1,000
104	34424	GASKET 1A2040	1,000
105	37075	OIL FILTER K66	1,000
120	34425	BY-PASS SPRING K66	1,000
122	34622	DIFF.BLO.LEVER	1,000
124	34621	SPRING HOOK	1,000
125	34620	BLO.LEVER CLIP	1,000
129	34426	GASKET 1AG25	1,000
151	34427	INPUTSHAFT NUT 10	1,000
152	34428	WASHER 11X32X3.2	1,000
153	34429	FLYWHEEL K66	1,000

Number	Part Number	Name	Quantity
154	34992	PULLEY K66 MKEHH	1,000

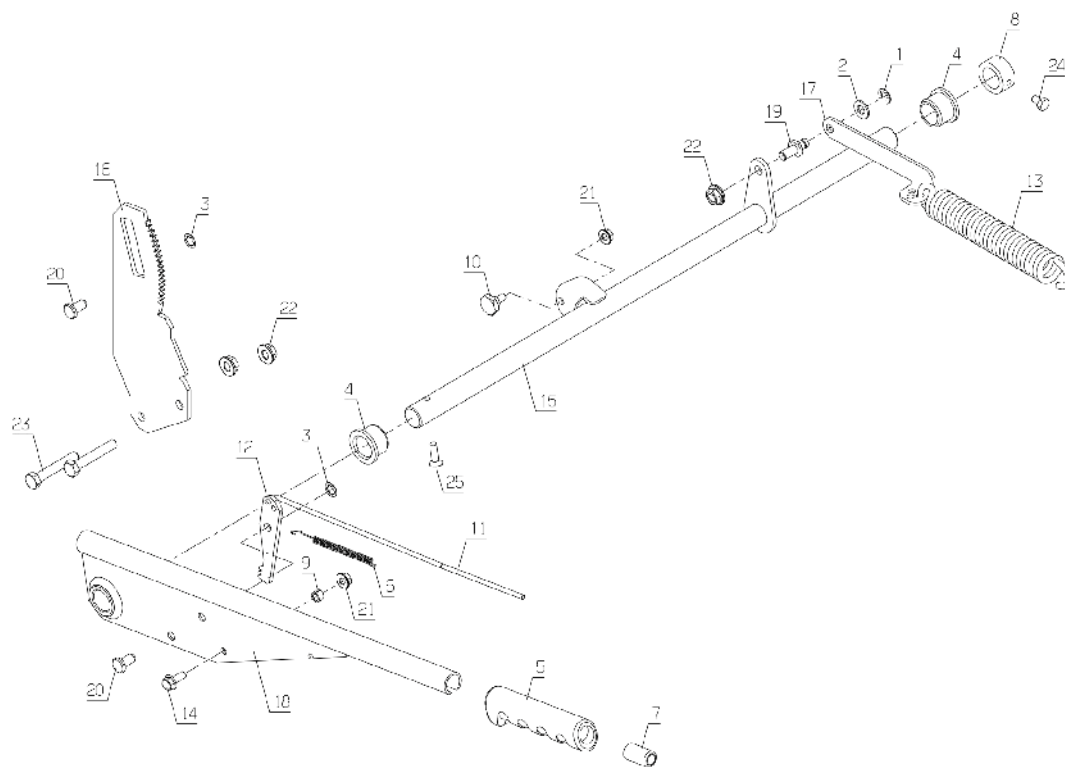
PL02512



05/2018

Number	Part Number	Name	Quantity
1	5602	ANNEAU TRUARC	1,000
2	7335	WASHER	1,000
3	7377	TRUARC COLLAR DIN 7	1,000
4	25416	SLEEVE PA 66 26/20X	1,000
5	25421	GRIP	1,000
6	25422	RATCHET PULL-BACK S	1,000
7	25429	PARKING BRAKE RELEA	1,000
8	25728	BRAKE THRUST WASHER	1,000
9	25887	STEP SPACER	1,000
10	28137	CATCH BOLT SP.SCREW	1,000
11	35160	STEERING ROD	1,000
12	35266	RATCHET	1,000
13	36238	SEAT SPRING	1,000
14	37997	SCREW HM6-16 8.8	1,000
15	50249	BRAKE SHAFT	1,000
16	50325	BRAKE INDEXING	1,000
17	51082	PLATE	1,000
18	51565	BRAKE LEVER	1,000
19	51888	AXLE	1,000
20	71041	A TYPE SHAFT,DIN 14	1,000
21	71201	NUT M6	1,000
22	71205	SCREW M8	1,000
23	71223	SCREW M8X50	1,000
24	71355	HEX.SCREW M6X10	1,000
25	71381	SCREW FHC/90 M6-20	1,000

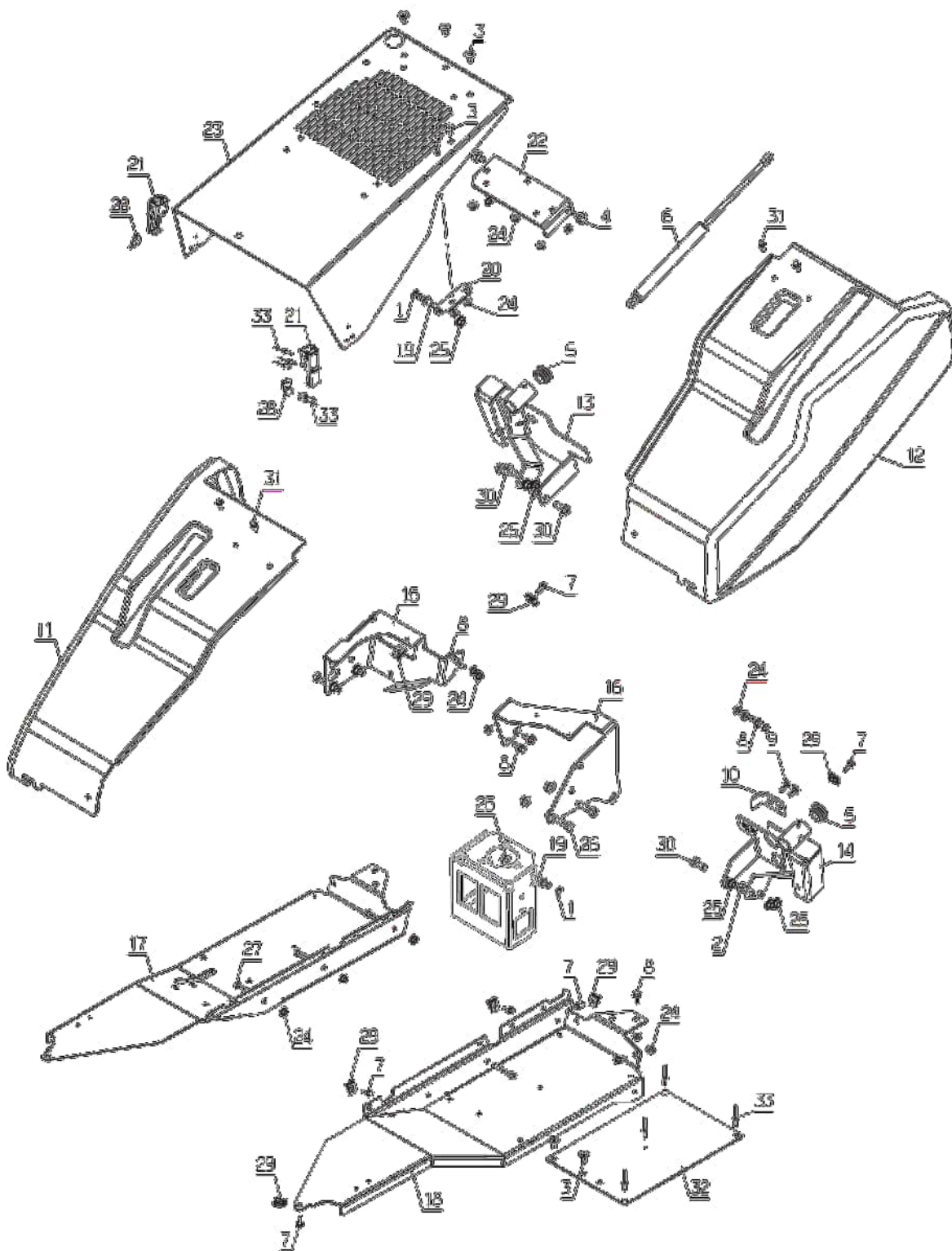
PL02234



11/2017

Number	Part Number	Name	Quantity
1	5602	ANNEAU TRUARC	1,000
2	9056	BOLT 8X25	1,000
3	21608	SCREW 6X16 DIN	1,000
4	28137	CATCH BOLT SP.SCREW	1,000
5	29647	CAP DIA.30	1,000
6	31588	GAZ CYLINDER	1,000
7	37996	SCREW HM5-16 8.8	1,000
8	37997	SCREW HM6-16 8.8	1,000
9	38408	SCREW HM6-16 8,8	1,000
10	50358	OIL TANK CLAMP	1,000
11	55070	MUD GUARD R. MK124	1,000
12	55071	MUD GUARD L. MK124	1,000
13	50640	MUDGUARD BRACKET	1,000
14	54799	MUD GUARD BRACKET	1,000
15	54716	RIGHT BRACKET	1,000
16	537		1,000
17	55078	FOOT STEP RIGHT	1,000
18	55077	FOOT STEP LEFT	1,000
19	51888	AXLE	1,000
20	52119	BRACKET	1,000
21	54205	CLAMP 91	1,000
23	54083	MID.COVER	1,000
24	71201	NUT M6	1,000
25	71205	SCREW M8	1,000
26	71223	SCREW M8X50	1,000
27	71239	HEX.SCREW HM6X45	1,000
28	54200	HOOK 91-600-07	1,000
29	71403	NUT	1,000
30	71413	SCREW HM 8-20	1,000
31	53240	SCREW HM6 12,8,8 AF	1,000
32	55069	FOOT STEP FLOORING	1,000
33	71113	NAIL RIVET, DIA. 4X	1,000

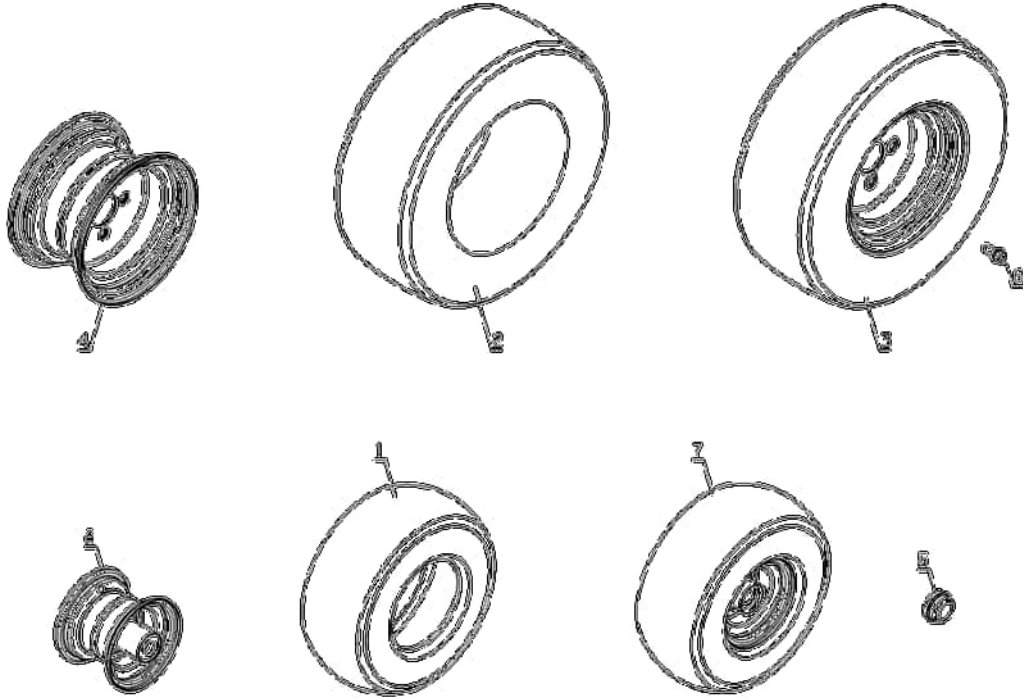
PL02762



12/2023

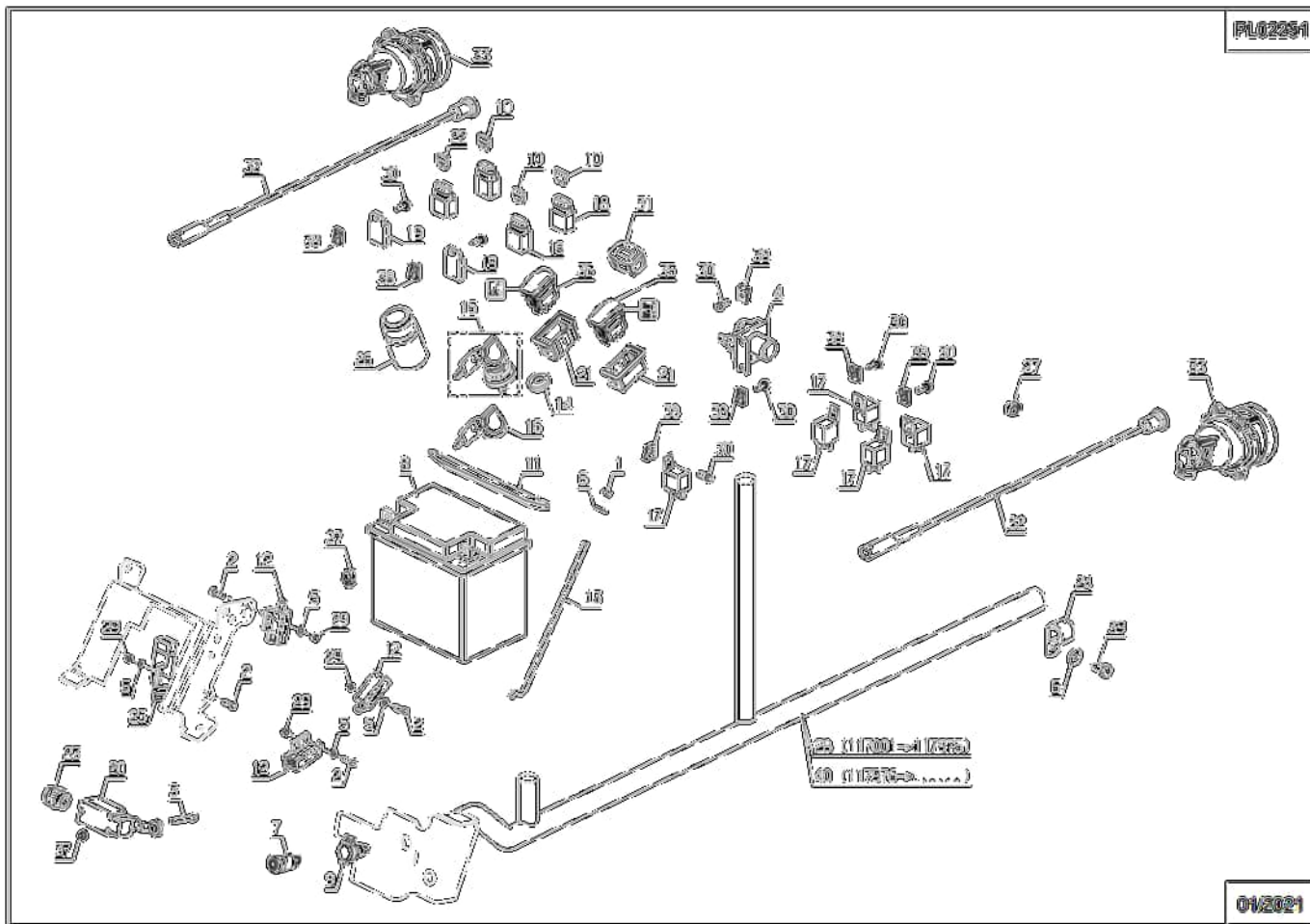
Number	Part Number	Name	Quantity
1	25370	15"X6,00 FRONT TYRE	1,000
2	25373	20"X8" REAR TYRE	1,000
3	25380	REAR WHEEL CPLT	1,000
4	25387	REAR RIM GREY	1,000
5	29509	PROTECTION CAP	1,000
6	32152	WHEEL FITTING SCREW	1,000
7	51518	FRONT WHEEL CPLT	1,000
8	51533	FRONT RIM MKEHH	1,000

FL02239



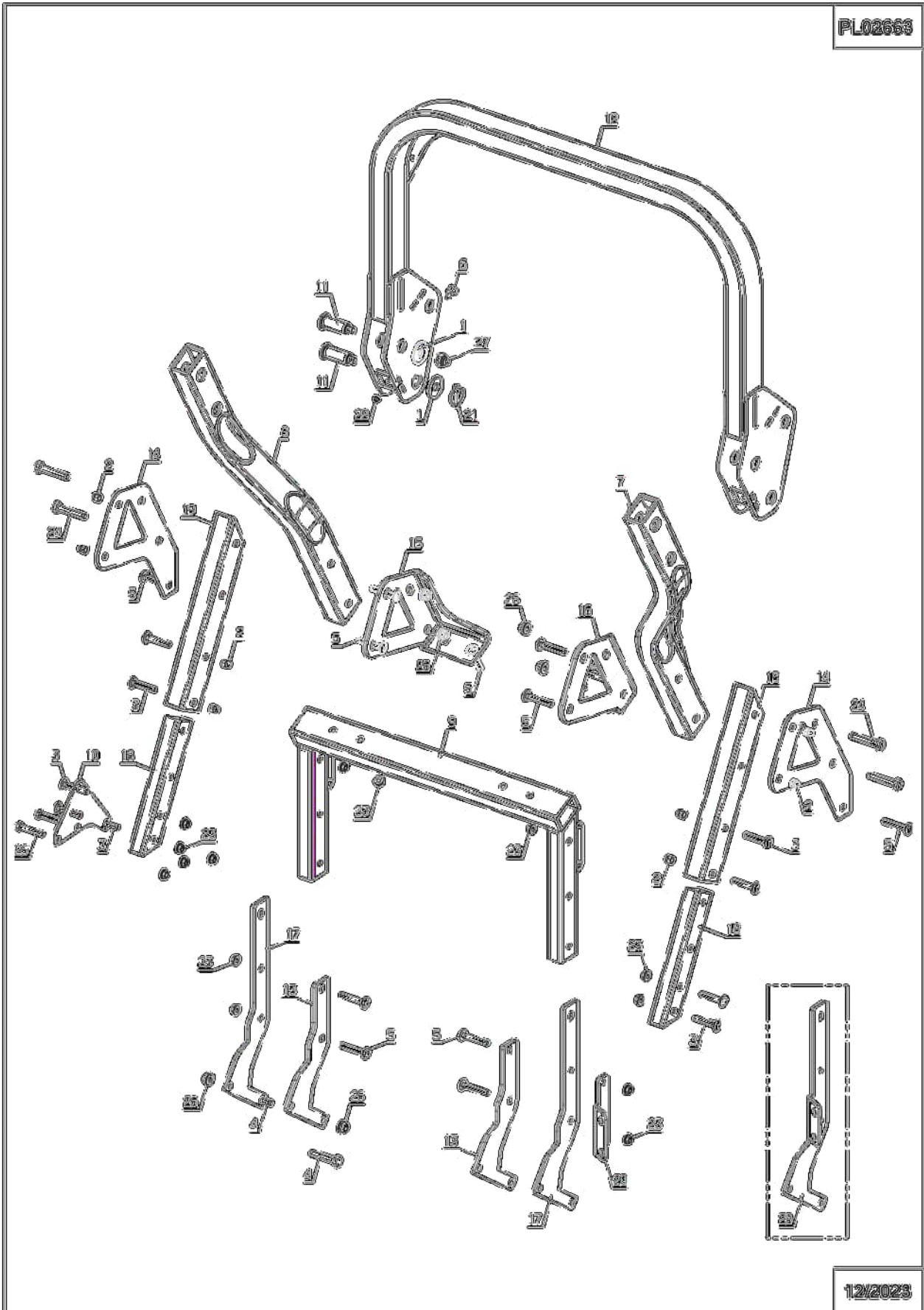
09/2015

Number	Part Number	Name	Quantity
1	1557	NUT HM6	1,000
2	2009	BOLT M5X16	1,000
3	5399	BOLT M5X40	1,000
4	16604	RELAY STARTER KIT	1,000
5	20564	WASHER 5,5	1,000
6	22029	FLAT WASHER 6,5	1,000
7	25792	MALE 2 WIRE CONNECT	1,000
8	25800	-> 100217	1,000
9	25822	FEMALE 2 WIR.CONNEC	1,000
10	25828	FUSE 25A 12V	1,000
11	25845	BATTERY ANGLE BRACK	1,000
12	28159	SWITCH	1,000
13	28164	BATTERY CLAMP ROD	1,000
14	28382	KEY CONTACT. EMBEL.	1,000
15	28384	KEY CONTACTOR	1,000
16	28388	SET OF 2 KEY	1,000
17	28392	WATERPROOF RELAY	1,000
18	28582	PLUG FUSE HOLDER	1,000
19	28594	BRACKET	1,000
20	29257	SAFETY SWITCH	1,000
21	29273	EXT. FRAME	1,000
22	29643	FUSE 15A 12V	1,000
23	29789	CONTACTOR GROMMET	1,000
24	30165	CLAMP DIA.20	1,000
25	31405	SWITCH	1,000
26	32200	ROTARY SWITCH	1,000
27	32219	KLAMP 12X2	1,000
28	51800	ELECTRICAL WIRING	1,000
29	37561	NUT	1,000
30	37996	SCREW HM5-16 8.8	1,000
31	51640	HOUR COUNTER	1,000
32	52157	LIGHTS	1,000
33	52158	LIGHTS	1,000
35	52494	SWITCH	1,000
36	52495	SWITCH ON/OFF/ON	1,000
37	71200	SCREW M5	1,000
38	71403	NUT	1,000
39	71413	SCREW HM 8-20	1,000
40	51166	ELECT.WIRING MKEHH	1,000



Number	Part Number	Name	Quantity
1	1517	WASHER 13X40X3	1,000
2	5043	NUT	1,000
3	21513	BOLT M8X50	1,000
4	22009	HEX.SCREW M10X55	1,000
5	22031	SCREW 8X55	1,000
6	35328	RUBBER STOP	1,000
7	53723	LEFT SIDE TUBE	1,000
8	53724	RIGHT SIDE TUBE	1,000
9	53731	REAR ROPS PLATE	1,000
10	53732	BRACKET	1,000
11	53733	ROPS STUD AXLE	1,000
12	53737	ROPS HOOP	1,000
13	53738	FIXING	1,000
14	53739	CONNECTING SHEET	1,000
15	53742	CONNECTING SHEET	1,000
16	53743	CONNECTING SHEET	1,000
17	53744	FIXING PLATE	1,000
18	53776	LOWER TUBE	1,000
19	53777	REINFORC. TUBE	1,000
20	54800	BRACKET	1,000
21	71005	SAFETY PIN,DIN 1102	1,000
22	71200	SCREW M5	1,000
23	71205	SCREW M8	1,000
24	71210	SCREW HM10-60,8.8	1,000
25	71223	SCREW M8X50	1,000
26	71249	SCREW M10	1,000
27	71375	CAP NUT M12	1,000
28	53745	ROPS FIXING BRACKET	1,000

PL02663

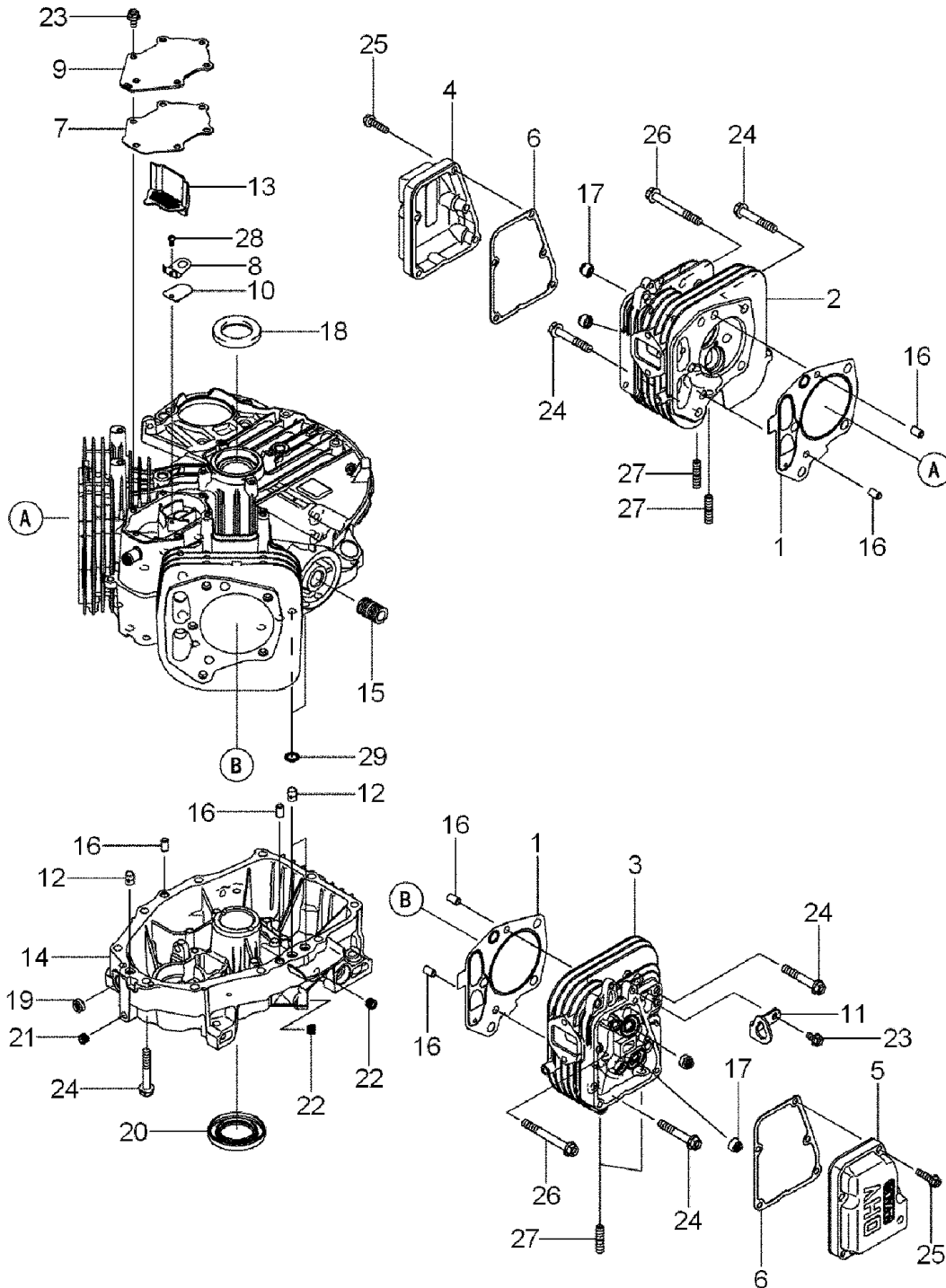


12/2023

Number	Part Number	Name	Quantity
1	15252	CYLIND.HEAD GASKET	1,000
2	15253	CYLINDER HEAD 1	1,000
3	15254	CYLINDER HEAD 2	1,000
4	15256	CYLIND.HEAD COVER 1	1,000
5	15257	CYLIND.HEAD COVER 2	1,000
6	15262	CYL.HEAD COV.GASKET	1,000
7	15264	GASKET	1,000
8	15285	PLATE	1,000
9	15289	COVER	1,000
10	15294	BREATHER	1,000
11	15336	HOOK	1,000
12	15361	CHANNEL	1,000
13	15362	AIR CHANNEL	1,000
14	15379	LOWER CRANKCASE	1,000
15	15398	GASKET	1,000
16	15623	CENTRING STUD	1,000
17	18228	OIL SEAL 6X11X10,2	1,000
18	18230	OIL SEAL 35X48X8	1,000
19	15429	GASKET 8X14X5	1,000
20	15430	GASKET 38X62X8	1,000
21	15470	PLUG	1,000
22	15471	PLUG	1,000
23	18332	VIS	1,000
24	18355	VIS	1,000
25	15277	SCREW 6X25	1,000
26	15279	SCREW 8X70	1,000
27	18180	STUD	1,000
28	18188	SCREW	1,000
29	15414	O-RING	1,000

KAWASAKI FS481V / FS541V

PL01982

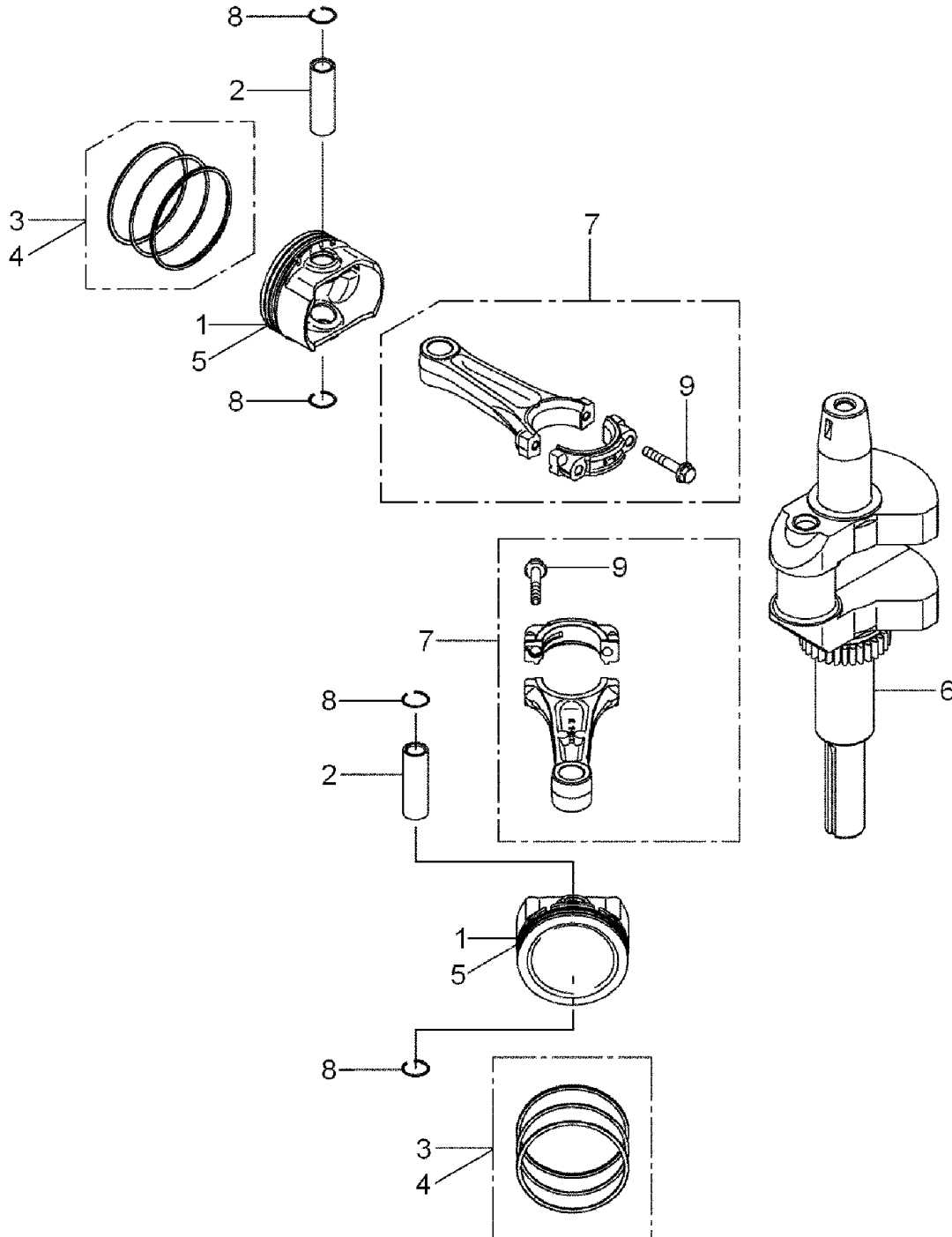


01/2015

Number	Part Number	Name	Quantity
1	15270	PISTON	1,000
2	18140	PISTON PIN	1,000
3	15271	RING SET	1,000
4	15272	RING SET 0,5	1,000
5	15273	PISTON 0,5	1,000
6	15274	CRANKSHAFT	1,000
7	15283	CONNECT.ROD ASSY	1,000
8	18225	RING SNAP	1,000
9	18331	VIS	1,000

KAWASAKI FS481V / FS541V

PL01983

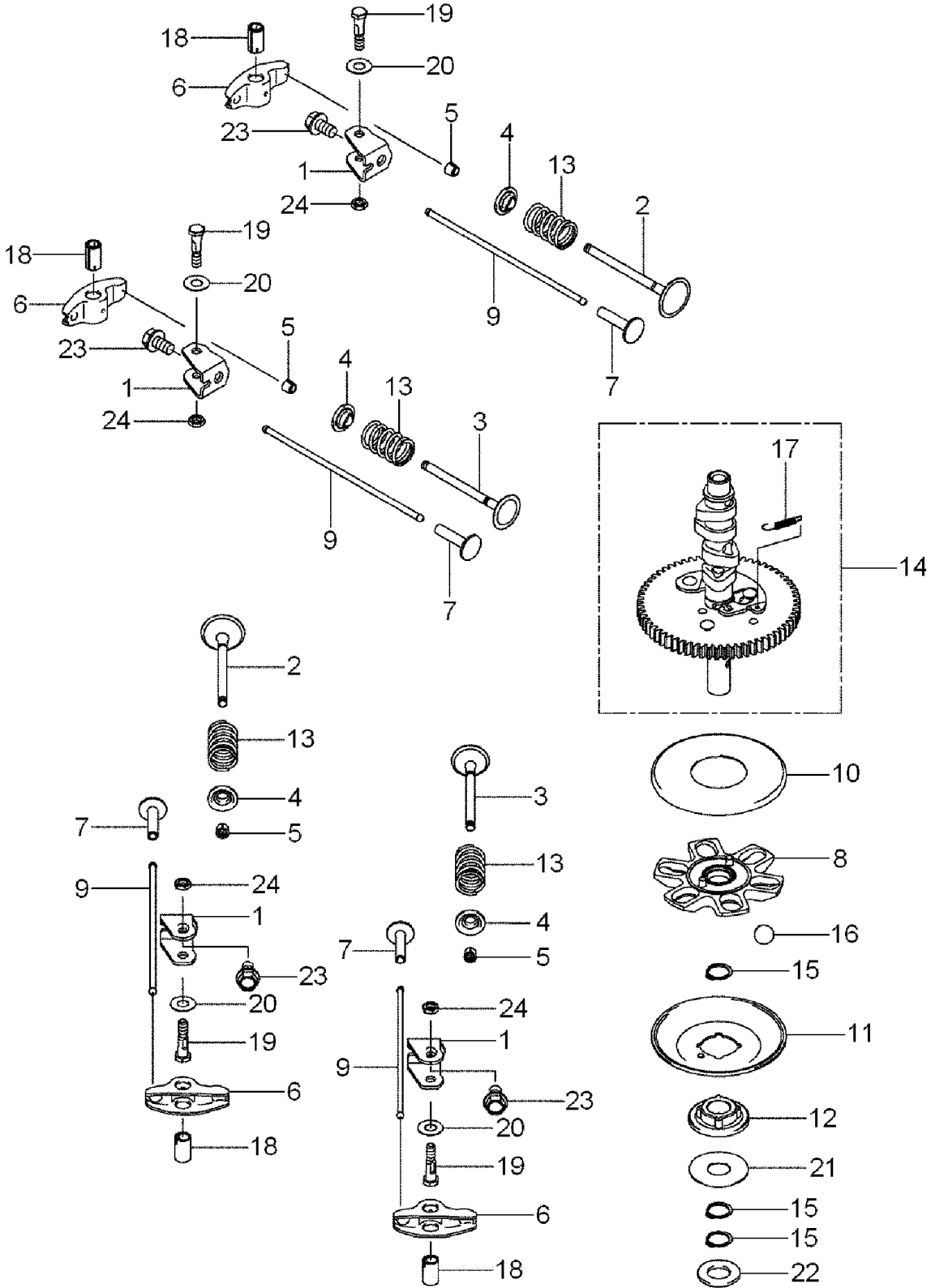


01/2015

Number	Part Number	Name	Quantity
1	15258	BRACKET	1,000
2	15267	INTAKE VALVE	1,000
3	15268	EXHAUST VALVE	1,000
4	18135	WASHER	1,000
5	18136	PELLET	1,000
6	15269	ROCKER ARM	1,000
7	18138	LIFTER ARM	1,000
8	15275	GUIDE	1,000
9	15282	PUSH ROD	1,000
10	18159	PLATE	1,000
11	18162	PLATE GOVERNOR	1,000
12	15365	BUSH	1,000
13	15381	SPRING	1,000
14	15392	CAMSHAFT	1,000
15	18224	SNAP RING	1,000
16	18239	STEEL BALL	1,000
17	18241	SPRING	1,000
18	15500	BUSH	1,000
19	15501	SCREW 6X29,5	1,000
20	15516	WASHER 8,1X18X0,5	1,000
21	15517	WASHER 16X42X0,91	1,000
22	15520	WASHER	1,000
23	15278	SCREW 8X14	1,000
24	15354	NUT 6MM	1,000

KAWASAKI FS481V / FS541V

PL01984

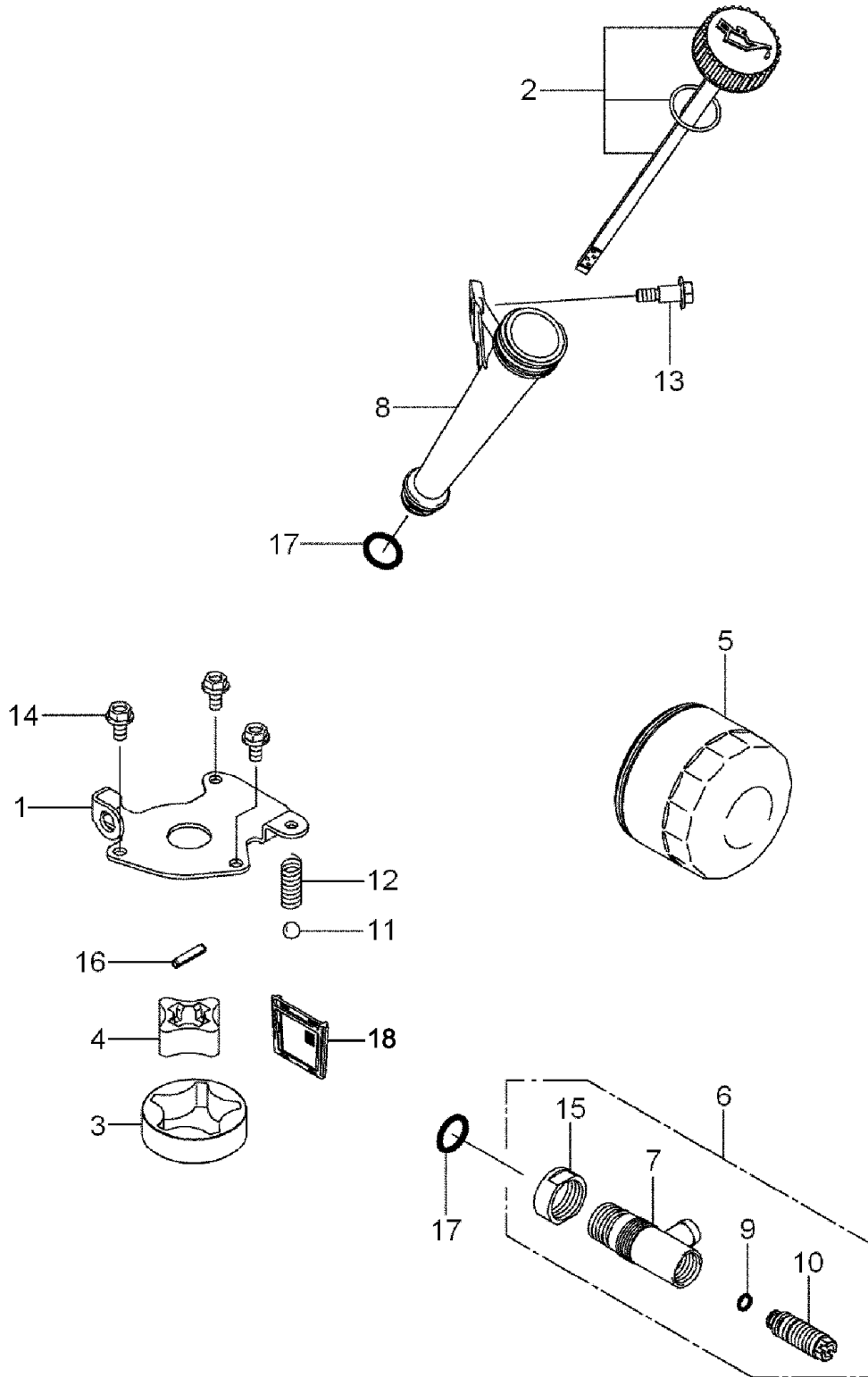


01/2015

Number	Part Number	Name	Quantity
1	15286	PUMP COVER	1,000
2	15288	OIL GAUCHE	1,000
3	15295	PUMP BODY	1,000
4	15296	PUMP	1,000
5	18363	OIL FILTER	1,000
6	36026	COCK	1,000
7	18317	CORPS ROBINET	1,000
8	15413	FILLING TUBE	1,000
9	18327	JOINT	1,000
10	18328	BOUCHON DE VIDANGE	1,000
11	18240	STEEL BALL	1,000
12	18242	SPRING	1,000
13	18250	SCREW	1,000
14	18332	VIS	1,000
15	18340	ECROU	1,000
16	15394	PIN 4X20	1,000
17	15686	O-RING	1,000
18	15532	FILTER	1,000

KAWASAKI FS481V / FS541V

PL01985

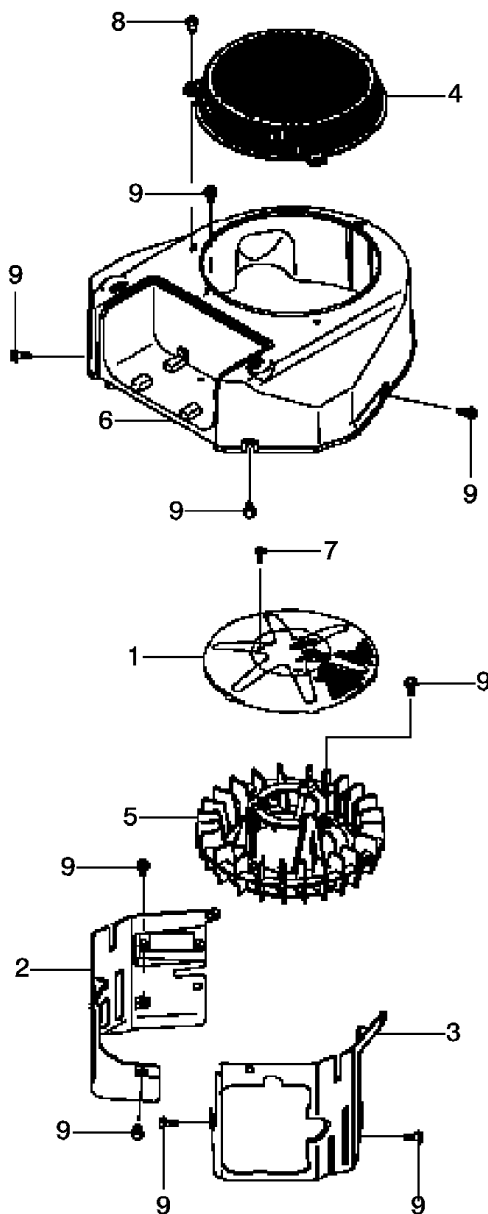


01/2015

Number	Part Number	Name	Quantity
1	15287	GRID	1,000
2	15385	COVERING	1,000
3	15389	COVERING	1,000
4	15533	GRID FS 541 V	1,000
5	15396	FAN	1,000
6	15523	ENGINE COVER	1,000
7	15421	SCREW	1,000
8	15428	RIVET	1,000
9	18249	SCREW	1,000

KAWASAKI FS541V

PL02199

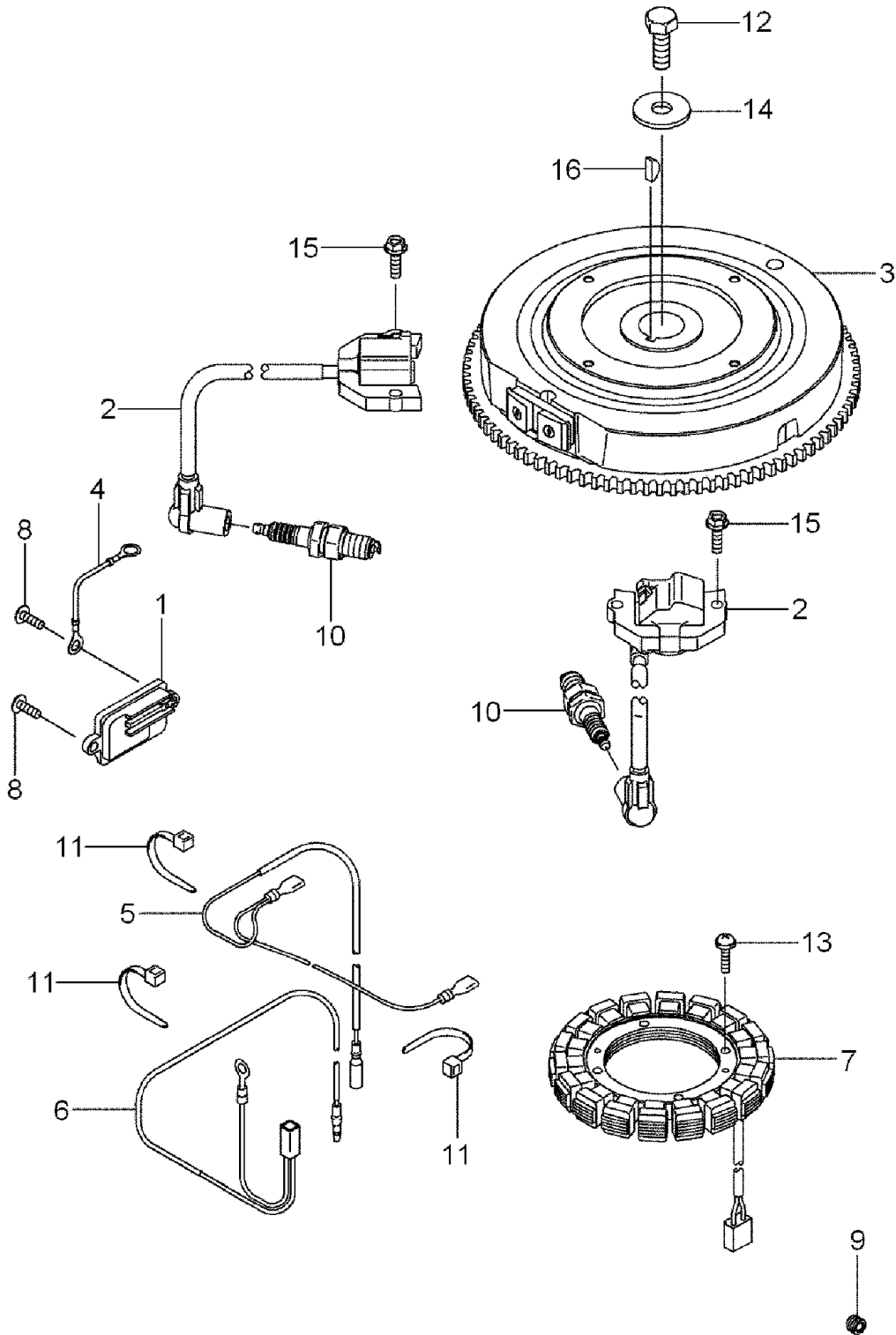


01/2015

Number	Part Number	Name	Quantity
1	15299	REGULATOR	1,000
2	15329	COIL	1,000
3	15330	FLYWHEEL	1,000
4	15333	CABLE	1,000
5	15334	WIRING	1,000
6	15335	WIRING	1,000
7	15395	ALTERNATOR	1,000
8	15421	SCREW	1,000
9	15471	PLUG	1,000
10	18364	SPARK PLUG FS481V	1,000
11	18329	COLLIER	1,000
12	15502	SCREW 12X30	1,000
13	18333	VIS	1,000
14	18260	WASHER	1,000
15	15276	SCREW 6X20	1,000
16	18209	KEY	1,000

KAWASAKI FS481V / FS541V

PL01987

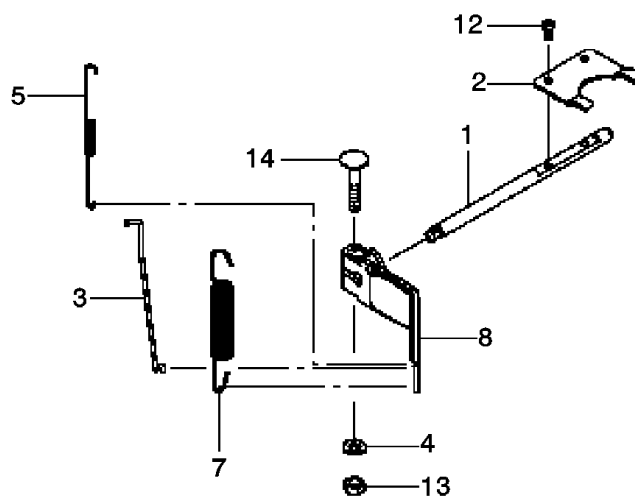
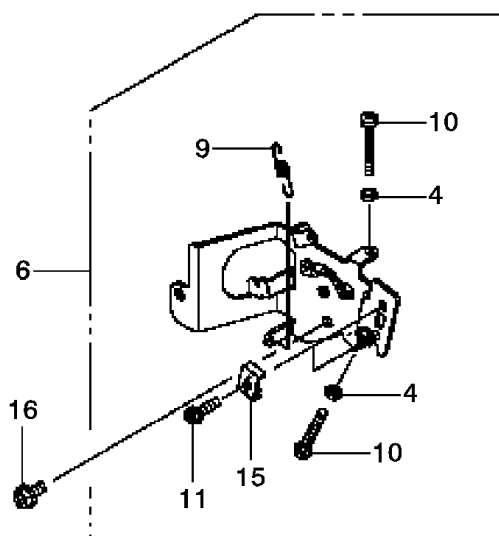


01/2015

Number	Part Number	Name	Quantity
1	15281	SHAFT	1,000
2	15284	SHEET PLATE	1,000
3	15297	ROD	1,000
4	15340	FLAT WASHER	1,000
5	15498	SPRING	1,000
6	15527	CONTROL PLATE	1,000
7	15528	SPRING	1,000
8	15529	LEVER	1,000
9	15530	SPRING	1,000
10	15531	SCREW 5X35	1,000
11	15753	SCREW	1,000
12	18188	SCREW	1,000
13	18193	NUT	1,000
14	18248	SCREW	1,000
15	18254	GUARD	1,000
16	18332	VIS	1,000

KAWASAKI FS541V

PL02198

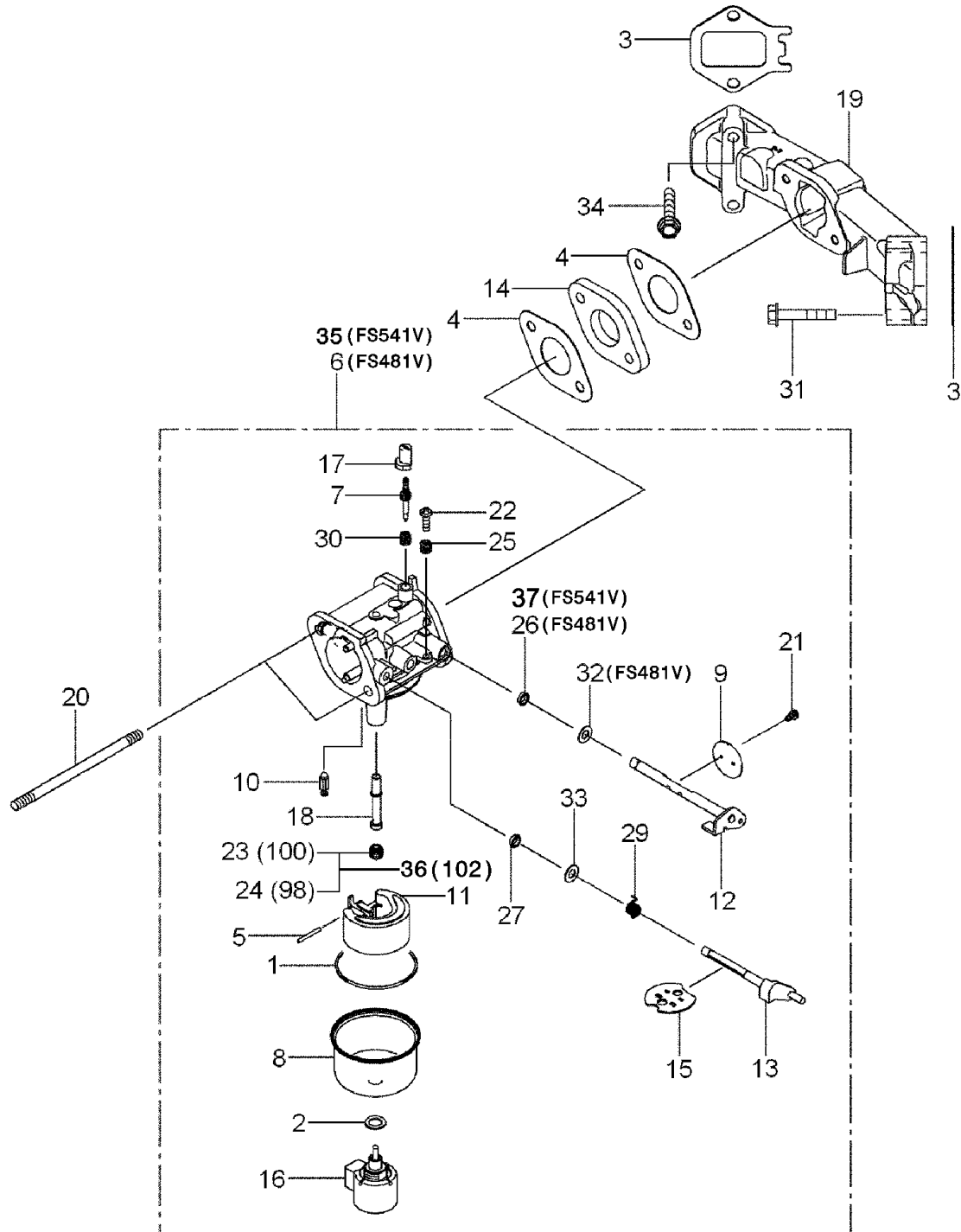


01/2015

Number	Part Number	Name	Quantity
1	18130	GASKET	1,000
2	18131	GASKET	1,000
3	15263	GASKET	1,000
4	15266	GASKET	1,000
5	18154	FLOAT AXLE	1,000
6	15290	CARBURETOR	1,000
7	15291	ADJUSTING SCREW	1,000
8	18169	FLOAT CHAMBER	1,000
9	18170	GASKLAPPE	1,000
10	18171	VALVE FLOAT	1,000
11	18172	FLOAT	1,000
12	18174	ACC.THROTTLE SHAFT	1,000
13	15292	THROTTLE SHAFT	1,000
14	18288	INSULATEUR	1,000
15	15298	VALVE CHOKE	1,000
16	18295	SOLENOIDE	1,000
17	18195	RING	1,000
18	15393	CHOKE TUBE	1,000
19	15399	INTAKE MANIFOLD	1,000
20	15420	ROD 6X98	1,000
21	18219	SCREW	1,000
22	18220	SCREW	1,000
23	18350	GICLEUR 100	1,000
24	18351	GICLEUR 98	1,000
25	18006	SPRING	1,000
26	15490	GASKET	1,000
27	15493	GASKET	1,000
29	15497	SPRING	1,000
30	18246	SPRING	1,000
31	15503	SCREW 6X37	1,000
32	15515	WASHER	1,000
33	18008	GASKET	1,000
34	18343	VIS	1,000
35	15524	CARBURATOR	1,000
36	15526	JET 102	1,000
37	18001	DICHTUNG	1,000

KAWASAKI FS481V / FS541V

PL01989

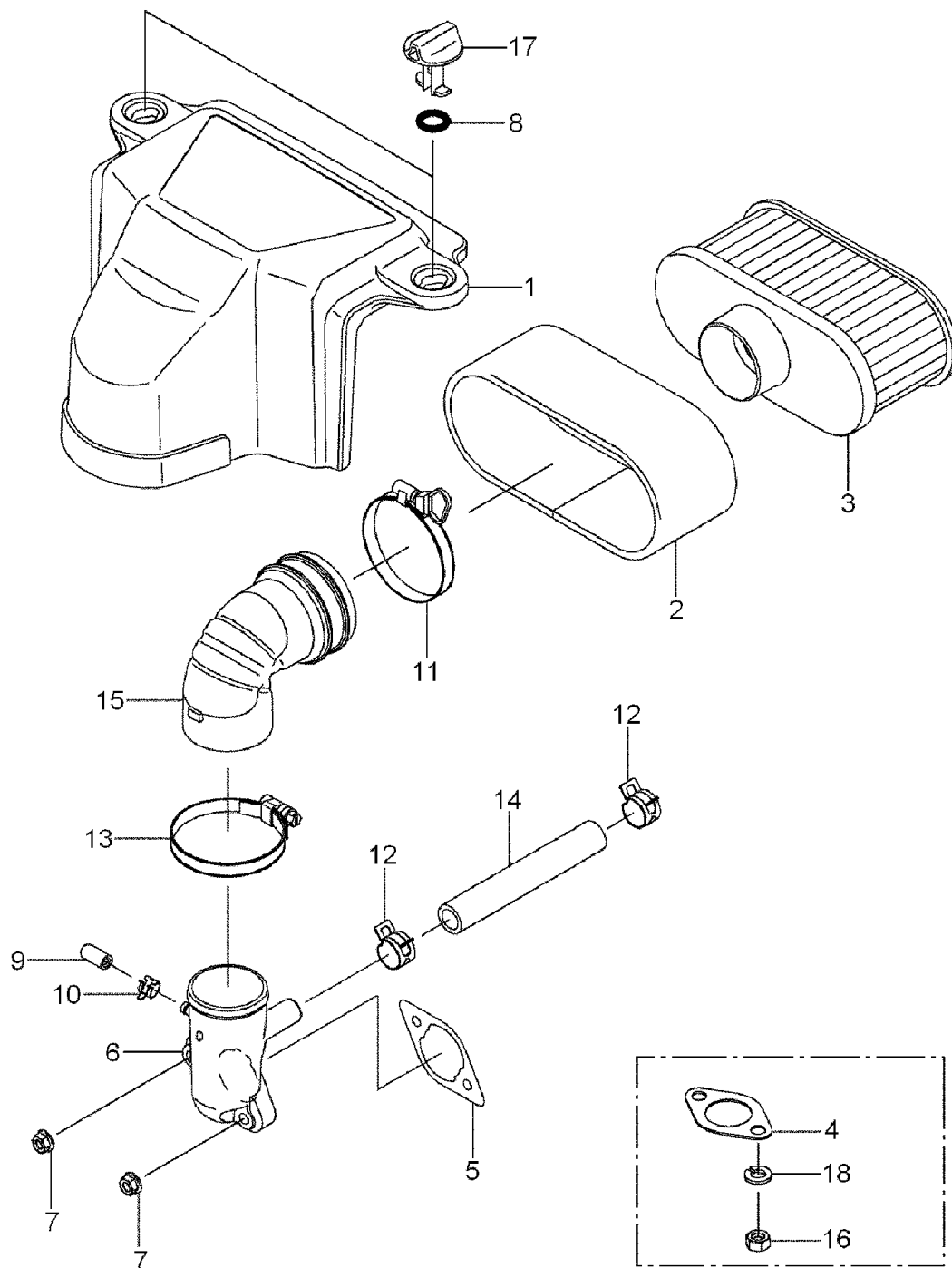


01/2015

Number	Part Number	Name	Quantity
1	15255	AIR FILTER COVER	1,000
2	18361	PREFILTER	1,000
3	18362	LUFTFILTER	1,000
4	15261	MUFFLER GASKET	1,000
5	15265	GASKET	1,000
6	15293	INTAKE PIPE	1,000
7	18222	NUT	1,000
8	15450	O-RING	1,000
9	15469	PLUG	1,000
10	15504	COLLAR	1,000
11	15507	COLLAR	1,000
12	15508	COLLAR	1,000
13	15509	COLLAR	1,000
14	15510	HOSE	1,000
15	15512	INTAKE PIPE	1,000
16	18342	ECROU	1,000
17	15521	FILTER COVER SCREW	1,000
18	15848	SPRING WASHER	1,000

KAWASAKI FS481V / FS541V

PL01990

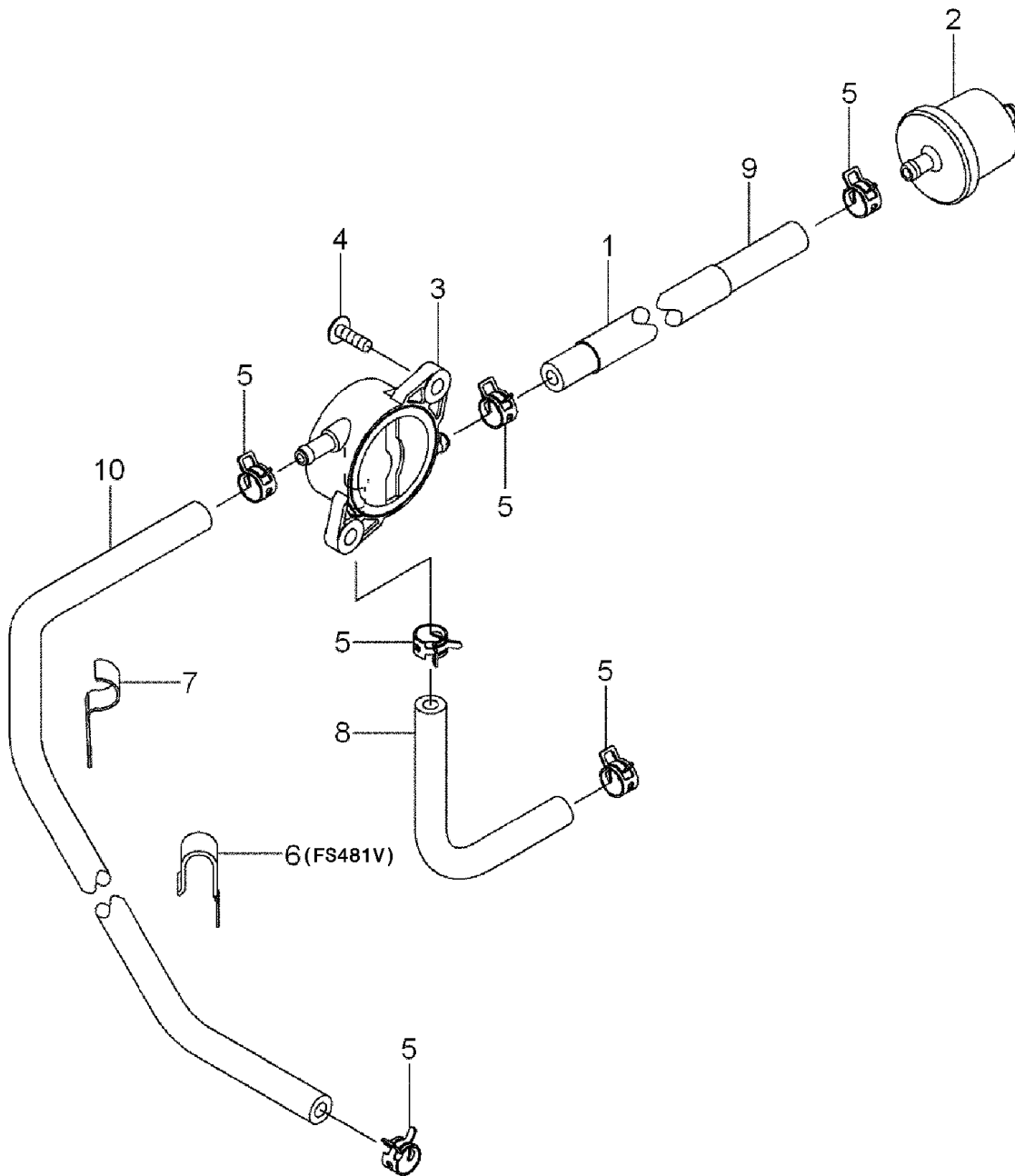


01/2015

Number	Part Number	Name	Quantity
1	15364	BUSH	1,000
2	25266	FILTER FUEL	1,000
3	15380	FUEL PUMP	1,000
4	15421	SCREW	1,000
5	18253	CLAMP	1,000
6	15505	COLLAR	1,000
7	15506	COLLAR	1,000
8	15511	HOSE 150MM	1,000
9	15513	HOSE 185MM	1,000
10	15514	HOSE 375MM	1,000

KAWASAKI FS481V / FS541V

PL01991

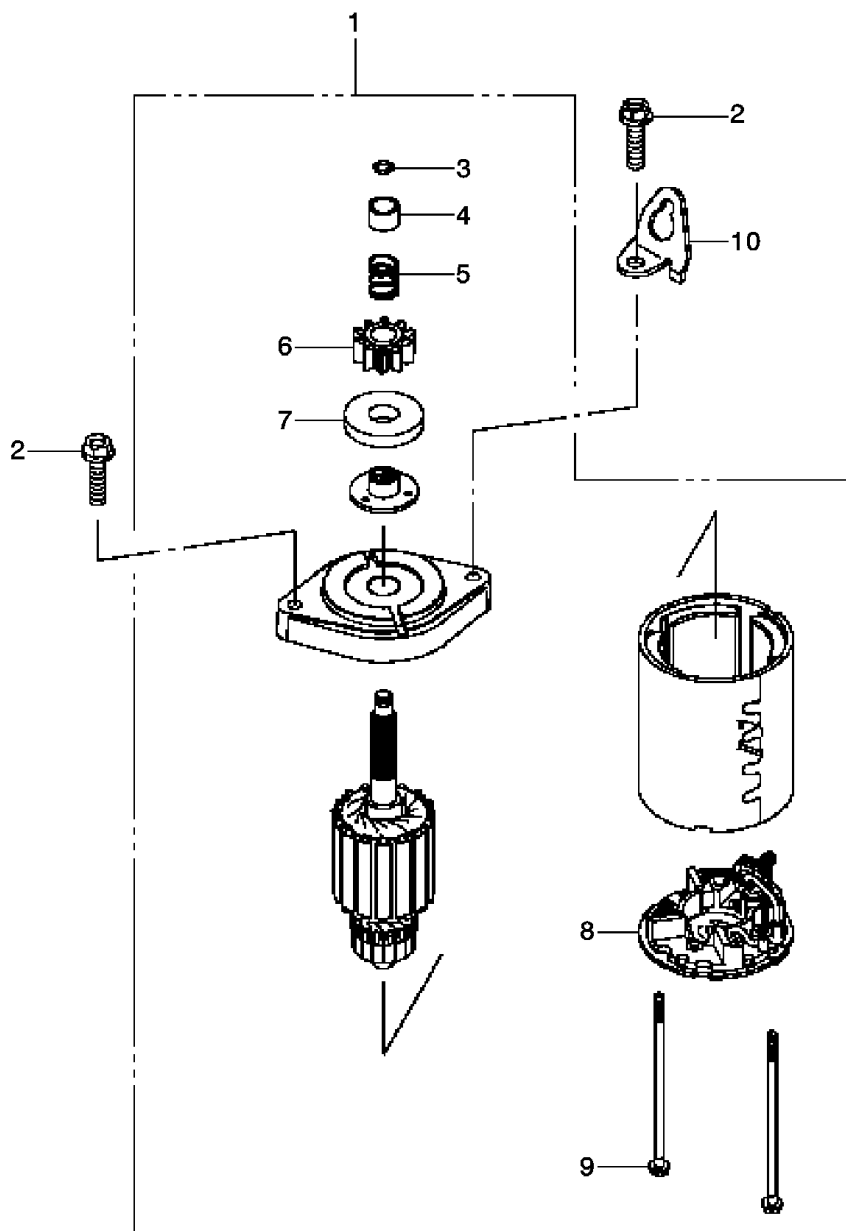


01/2015

Number	Part Number	Name	Quantity
1	15313	STARTER	1,000
2	15691	SCREW	1,000
3	15537	CIRCLIP KAWA	1,000
4	15538	STARTER RING KAWA	1,000
5	15539	SPRING STARTER KAWA	1,000
6	15540	GEAR STARTER KAWA	1,000
7	15541	GASKET STARTER KAWA	1,000
8	15536	CARBON BRUSH	1,000
9	15535	SCREW FS 541 V	1,000
10	15348	HOOK	1,000

KAWASAKI FS541V

PL02197



01/2015